

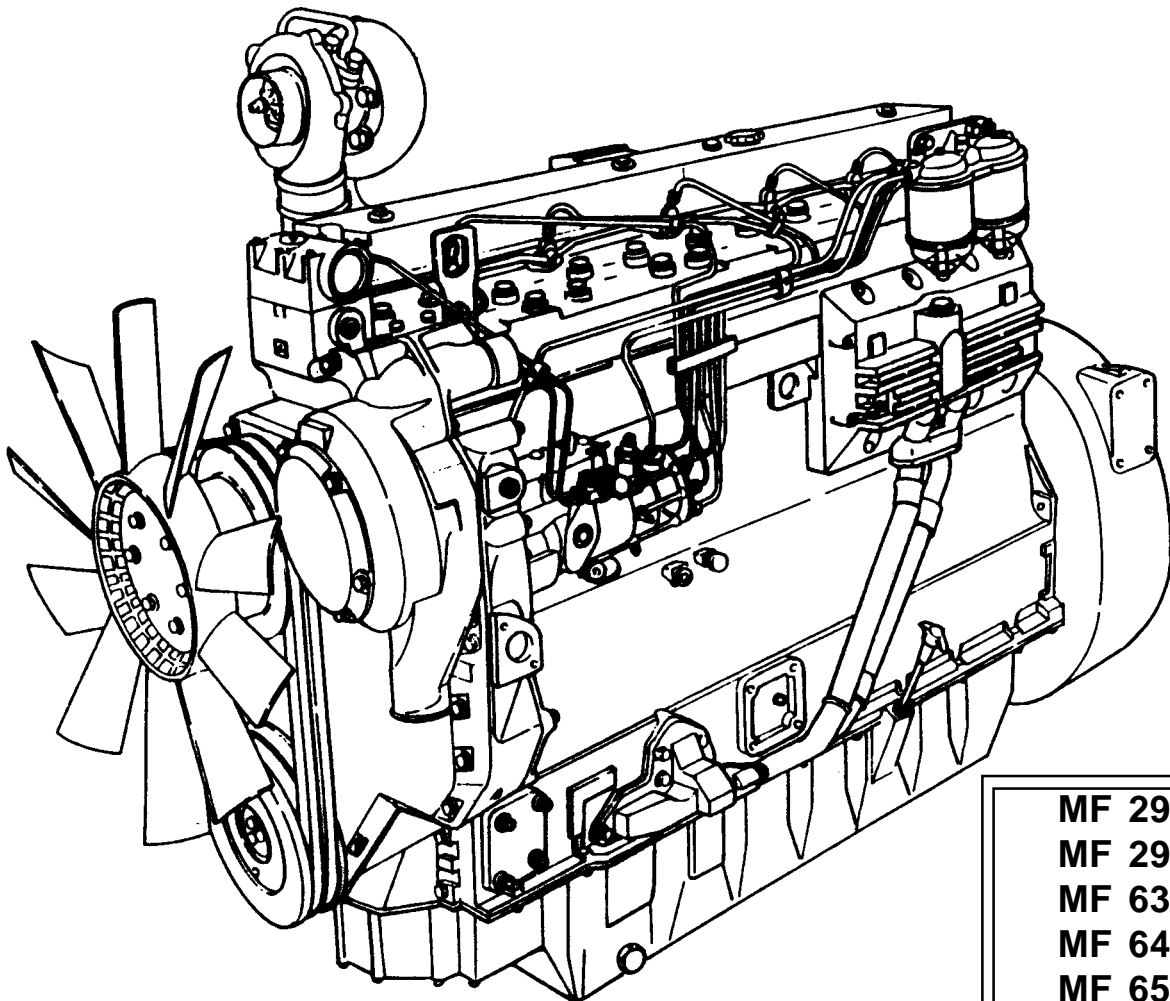


**INTERNATIONAL**  
*Engines*

CATÁLOGO DE PEÇAS  
PARTS BOOK  
CATÁLOGO DE REPUESTOS  
CATALOGUE DE PIÈCES

**1006-6**

**1006-6T**



MF 297  
MF 299  
MF 630  
MF 640  
MF 650  
MF 660  
MF 680  
MF 5320

ÍNDICE NUMÉRICO  
 NUMERICAL INDEX  
 INDICE NUMERICO  
 INDEX NUMERIQUE

1006.6  
 1006.6T

NUMEROS INTERNATIONAL  
 INTERNATIONAL NUMBERS  
 NUMEROS INTERNATIONAL  
 NUMEROS INTERNATIONAL

PEÇA NÚMERO	GRUPOS	PEÇA NÚMERO	GRUPOS	PEÇA NÚMERO	GRUPOS
71054	33/131	S1028	13/64	635474 B	13/62
	33/151	S1029	11/103		13/63
	33/152		11/104		14/39
71058	33/130	S1030	11/104		14/100
	33/153	S1031	11/103	635474 C	13/45
	33/154	S1032	11/103		13/52
	33/157	423651	42/242		13/62
72090	75/141		42/246		13/63
72096	42/242		42/248		14/39
	42/245	424804	11/104		14/100
	42/246		14/40	635776	42/245
	42/248		14/99	0050345	22/15
72115	42/242	424808	13/44		22/21
	42/246		13/45	0095315	48/124
	42/248		13/52		48/125
72116	42/245		13/62		48/126
77517	39/275		13/63		48/134
77518	39/274		13/64		48/138
77519	39/276	424808 A	13/44		48/168
S1006	00/82		13/45		48/171
S1007	00/83		13/52		48/182
S1008	00/84		13/62	0095344	42/212
S1009	00/85		13/63		42/214
S1010	18/51		13/64		42/216
	18/52	635437	13/44		42/220
	18/53		13/64		42/224
	18/55		14/40		42/242
S1011	18/51		14/99		42/245
	18/52	635437 A	13/44		42/246
	18/53		13/64		42/248
	18/55		14/40	0170151	18/37
S1015	11/104		14/99		18/38
S1016	11/103	635437 B	13/44		18/51
	14/39		13/64		18/52
S1019	14/39		14/40		18/53
S1020	11/103		14/99		18/55
S1022	11/104	635437 C	13/44	0201397	42/212
S1024	13/63		13/64		42/214
S1024 A	13/63		14/40		42/220
S1024 B	13/63		14/99		42/224
S1024 C	13/63	635474	13/45	0201526	48/124
S1025	13/62		13/52		48/125
	13/64		13/62		48/126
S1025 A	13/62		13/63		48/134
	13/64		14/39		48/138
S1025 B	13/62		14/100		48/168
	13/64	635474 A	13/45		48/171
S1025 C	13/62		13/52		48/182
	13/64		13/62	0350009	11/103
S1026	11/103		13/63		11/104
	13/63		14/39	0350012	20/19
S1027	11/103		14/100		20/23
	13/62	635474 B	13/45		20/24
S1028	11/104		13/52	0350025	45/116
IMPRESSO NO BRASIL		1006.6 / 1006.6T		81000081C	09/00

ÍNDICE NUMÉRICO  
NUMERICAL INDEX  
INDICE NUMERICO  
INDEX NUMERIQUE

1006.6  
1006.6T

NUMEROS INTERNATIONAL  
INTERNATIONAL NUMBERS  
NUMEROS INTERNATIONAL  
NUMEROS INTERNATIONAL

PEÇA NÚMERO	GRUPOS	PEÇA NÚMERO	GRUPOS	PEÇA NÚMERO	GRUPOS
0360027	35/114	0576113	42/224	2116087	11/104
0500005	32/108		42/245		15/28
	32/109		42/246		15/29
0500012	13/44		75/141		15/35
	13/45	0576116	58/32		15/36
	13/52		58/44	2182110	11/81
	13/62		58/80	2233022	18/37
	13/63		58/81		18/38
	13/64		58/82		18/51
	21/29	0650204	42/212		18/52
	21/32		42/214		18/53
	21/36		42/220		18/55
	21/37		42/242	2415633	34/119
	21/38		42/245		34/120
	21/40		42/246	2415638	32/108
0566002	38/139		42/248		32/109
	38/141	0650507	18/37	2417711	32/108
	38/147		18/38		32/109
	39/203		18/51	2481877	33/154
	39/204		18/52	2487001	11/104
	48/167		18/53	2511425	18/37
0566003	42/212		18/55		18/38
	42/214	0650594	33/130		18/51
	42/220		33/154		18/52
	42/224		33/157		18/53
	42/248		43/63		18/55
0566004	42/245		43/75	2635601	32/109
	42/246	0720579	18/37	2666103	40/125
	52/379		18/38	2721130	15/28
	75/141		18/51		15/29
0566007	58/32		18/52		15/35
	58/44		18/53		15/36
	58/80		18/55	4236119	11/103
	58/81	0826408	46/62		14/39
	58/82		46/74		14/100
0571346	52/379		74/300	6354129	42/212
	75/141	0920003	36/84		42/214
0576052	18/37		74/300		42/220
	18/38	0920009	34/88		42/224
	18/51		34/89	6354130	75/141
	18/52		34/119	YA39801	11/81
	18/53		34/120	YD39822	11/82
	18/55	0920053	36/104	ZZ50185	11/81
0576111	38/139		36/107	ZZ50235	11/82
	38/141	0920469	11/81	ZZ80107	17/44
	38/147	2116053	21/29	ZZ80171	17/45
	39/203		21/32	ZZ90040	18/38
	39/204		21/36	ZZ90057	18/37
	48/167		21/37	ZZ90085	13/45
0576112	42/212		21/38	ZZ90087	13/44
	42/214		21/40	ZZ90141	13/52
	42/220	2116081	17/44	2114A046	17/67
	42/224		17/45		17/68
	42/248	2116087	11/103	2116A023	11/82
IMPRESSO NO BRASIL		1006.6 / 1006.6T		81000081 C	09/00

ÍNDICE NUMÉRICO  
 NUMERICAL INDEX  
 INDICE NUMERICO  
 INDEX NUMERIQUE

1006.6  
 1006.6T

NUMEROS INTERNATIONAL  
 INTERNATIONAL NUMBERS  
 NUMEROS INTERNATIONAL  
 NUMEROS INTERNATIONAL

PEÇA NÚMERO	GRUPOS	PEÇA NÚMERO	GRUPOS	PEÇA NÚMERO	GRUPOS
2116A023	15/29	2313M083	41/79	2314H002	38/147
2311D038	15/29	2313M087	41/60		39/219
	15/35		41/61		58/32
	15/36		41/79		58/80
2311D039	11/81	2313R082	31/165		58/81
	11/82	2314C035	48/124		58/82
	11/103		48/125	2314H003	12/68
	11/104		48/126		12/70
2311D060	32/109		48/134		12/88
2311D081	33/154		48/168		12/89
2313C058	74/300		48/171		12/90
2313C063	35/132		48/182		20/19
	35/136	2314C049	44/118		20/23
2313C077	58/32	2314E007	39/203		20/24
	58/44		39/204		33/130
	74/90		42/212		33/131
	74/300		42/214		33/153
	74/309		42/220		33/157
2313C078	36/104		42/224		36/84
	36/105		48/182		39/202
	36/107	2314F003	12/70		39/203
	74/310		12/90		39/204
2313H229	35/134	2314F004	15/28		39/214
2313H243	36/105		15/29		39/264
	36/107		15/35		39/265
2313H331	18/37		15/36		39/268
	18/38	2314F007	15/28		39/274
	18/51	2314F036	12/68		39/275
	18/52		12/70		39/276
	18/53		12/88		42/212
	18/55		12/89		42/214
2313M058	12/68		12/90		42/220
	12/70	2314H001	39/203		42/224
	33/131		39/204		42/242
	33/151		58/44		42/245
	33/152	2314H002	15/28		42/246
	33/153		15/29		42/248
	33/154		15/35		58/32
	33/157		15/36		58/44
2313M059	39/202		31/165		58/80
	39/203		31/187		58/81
	39/204		31/188		58/82
	39/214		31/189	2314H004	12/68
	39/219		33/151		12/70
	39/264		33/152		12/88
	39/265		33/153		12/89
	39/268		33/154		12/90
	39/274		36/84		15/28
	39/275		36/104		15/29
	39/276		36/105		15/35
2313M060	33/131		36/106		15/36
2313M081	41/60		36/107		31/165
2313M083	41/60		38/139		31/187
	41/61		38/141		31/188

ÍNDICE NUMÉRICO  
NUMERICAL INDEX  
INDICE NUMERICO  
INDEX NUMERIQUE

1006.6  
1006.6T

NUMEROS INTERNATIONAL  
INTERNATIONAL NUMBERS  
NUMEROS INTERNATIONAL  
NUMEROS INTERNATIONAL

PEÇA NÚMERO	GRUPOS	PEÇA NÚMERO	GRUPOS	PEÇA NÚMERO	GRUPOS
2314H004	31/189	2314H007	31/189	2314J002	39/274
	33/131		34/88		39/275
	33/151		34/89		39/276
	33/152	2314H008	31/188		42/212
	33/153		37/116		42/214
	33/157		37/142		42/220
	34/88		37/143		42/224
	34/89	2314H010	33/131		42/242
	34/119		34/88		42/245
	34/120		34/89		42/246
	35/135		37/116		42/248
	37/116		37/142		44/118
	37/142	2314H012	31/165		44/133
	37/143		31/187		74/91
	53/64		31/188	2314J003	33/131
	58/32		31/189		33/151
	58/44	2314H013	12/68		33/152
	58/80		12/70		33/153
	58/81		12/88		33/157
	58/82		12/89		36/84
	75/141		12/90		36/104
2314H005	12/68		31/188		36/105
	12/70		37/143		36/106
	12/88	2314H015	37/143		36/107
	12/89		56/108		45/132
	12/90		56/136		76/24
	33/131		56/137		76/28
	35/104	2314H019	31/165		76/30
	35/105		31/187	2314J004	12/68
	35/121		31/188		33/130
	35/136		31/189		33/131
	35/138	2314H031	44/118		33/151
	42/212	2314H032	44/133		33/152
	42/214	2314H033	33/130		33/154
	42/220	2314H034	12/88		33/155
	42/224		12/89		35/104
	42/242		12/90		35/114
	42/245	2314H052	31/188		35/121
	42/246	2314H102	40/125		35/136
	42/248	2314H243	36/104		36/104
2314H006	48/124	2314J001	33/154		36/106
	48/125		58/32		36/107
	48/126		58/44		37/116
	48/134		58/80		45/116
	48/138		58/81		76/25
	48/168		58/82		76/29
	48/171	2314J002	36/106	2314J006	33/130
	48/182		39/202		42/212
	56/108		39/203		42/214
	56/136		39/204		42/220
	56/137		39/214		42/224
2314H007	31/165		39/264		42/242
	31/187		39/265		42/245
	31/188		39/268		42/248

ÍNDICE NUMÉRICO  
 NUMERICAL INDEX  
 INDICE NUMERICO  
 INDEX NUMERIQUE

1006.6  
 1006.6T

NUMEROS INTERNATIONAL  
 INTERNATIONAL NUMBERS  
 NUMEROS INTERNATIONAL  
 NUMEROS INTERNATIONAL

PEÇA NÚMERO	GRUPOS	PEÇA NÚMERO	GRUPOS	PEÇA NÚMERO	GRUPOS
2314J007	35/117 42/246	2314J606	21/37 21/38	2318A603	39/274 39/275
2314J008	33/130 33/154 35/105 35/132 35/133 35/134 35/138	2314J607	21/40 18/37 18/38 18/51 18/52 18/53 18/55	2318A604	39/276 36/84 36/104 36/105 36/107 38/139 38/140
2314J010	22/15 22/21	2314J712	45/132		38/141
2314J011	12/90 35/104 35/105 35/114 35/117 35/121 35/132 35/133 35/134 35/136	2314K159	33/131 35/104 35/105 35/114 35/117 35/121		38/142 38/147 38/150 42/212 42/214 42/220 42/224 42/242 42/245 42/246 42/248
2314J012	37/116 37/142	2314K161	12/68 12/70 12/89 15/28 15/29 15/35 13/36		46/75 73/165 74/300
2314J013	37/143	2314M033	56/108		
2314J014	35/134	2314N043	56/108	2318A605	18/37
2314J034	38/109 38/116 38/139 38/140 38/141 38/142 38/147 38/150	2315B363	56/136 56/137 33/154		18/38 18/51 18/52 18/53 18/55
2314J038	38/109 38/116 38/139 38/140 38/141 38/142 38/147 38/150	2318A208	74/300	2318A634	41/60 41/61 41/79
2314J040	33/153 33/157	2318A603	12/68 12/70 12/89 12/90		58/32 58/44 58/80 58/81 58/82 74/90 74/309 74/310
2314J046	38/109 38/116 38/139 38/140 38/141 38/142 38/147 38/150		31/165 31/187 31/188 31/189 33/131 33/152 33/153 33/154 33/157	2318D205	39/203 39/204 42/212 42/214 42/220 42/224 48/182
2314J606	21/29 21/32 21/36		39/202 39/203 39/204 39/214 39/219 39/264 39/265 39/268	2318D208	35/132 35/134 35/136
				2411A024	33/131
				2415A076	37/142 37/143
IMPRESSO NO BRASIL		1006.6 / 1006.6T		81000081C	09/00

ÍNDICE NUMÉRICO  
NUMERICAL INDEX  
INDICE NUMERICO  
INDEX NUMERIQUE

1006.6  
1006.6T

NUMEROS INTERNATIONAL  
INTERNATIONAL NUMBERS  
NUMEROS INTERNATIONAL  
NUMEROS INTERNATIONAL

PEÇA NÚMERO	GRUPOS	PEÇA NÚMERO	GRUPOS	PEÇA NÚMERO	GRUPOS
2415A093	12/88	2487A510	17/44	2646A176	48/124
	12/89		17/45		48/126
	12/90	2487C502	12/89	2646A177	48/124
2415B121	34/88		12/90		48/126
	34/89	2641A070	42/212	2646A178	48/124
2415B152	56/108		42/214		48/126
2415B155	56/108		42/220	2646A179	48/124
	56/136		42/224		48/126
	56/137	26410149	42/212	2646A180	48/124
2415B402	33/131		42/214		48/126
2415H031	33/131		42/220	2646E006	48/168
2415H494	56/136		42/224		48/171
	56/137		42/242		48/182
2418F602	33/151		42/245	2646E007	48/168
	33/152		42/246		48/171
	33/153		42/248		48/182
	33/157	2643D615	39/214	2646E009	48/168
2431A016	31/165		39/264		48/171
	31/187	2643D802	39/202		48/182
	31/188		39/268	2646E010	48/168
	31/189	2643D804	39/204		48/171
2481C002	38/147	2643M016	39/203		48/182
	39/219		39/264	2646E012	48/124
2481D156	33/154	2643U605	39/219		48/125
2481D302	42/245	2645A020	48/124		48/126
	42/246		48/171		48/134
	42/248	2645A021	48/125	2646E013	48/124
	48/167		48/182		48/125
2483A006	33/131	2645A031	48/134		48/126
2483A007	33/131		48/168		48/134
2483A015	33/151	2645A032	48/126	2646E015	48/124
	33/152	2645A606	48/125		48/125
	33/153		48/182		48/126
2483A016	33/151	2645A608	48/124		48/134
	33/152		48/171	2646E016	48/124
	33/153	2645A616	48/134		48/125
2483A018	33/157		48/168		48/126
2483A019	33/157	2645A617	48/126		48/134
2485A204	11/81	2645L013	48/138	2646E072	48/138
	11/82	2645L612	48/138	2646E073	48/138
	11/103	2646A151	48/134	2646E075	48/138
	11/104	2646A152	48/134	2646E076	48/138
2486A207	33/154	2646A153	48/134	2646E152	48/134
2486A209	33/154	2646A154	48/134	2656F702	42/212
2486A211	33/154	2646A155	48/134		42/214
2486A971	33/131	2646A156	48/134		42/220
	33/151	2646A157	48/125		42/224
2486A972	33/131	2646A158	48/125	2674A051	58/82
2486A975	33/154	2646A159	48/125	2674A053	58/44
2486A976	33/151	2646A160	48/125		58/81
	33/157	2646A161	48/125	2722A206	15/28
2486A981	33/152	2646A162	48/125		15/29
	33/153	2646A175	48/124		15/35
	33/157		48/126		15/36
IMPRESSO NO BRASIL		1006.6 / 1006.6T		81000081 C	09/00

ÍNDICE NUMÉRICO  
 NUMERICAL INDEX  
 INDICE NUMERICO  
 INDEX NUMERIQUE

1006.6  
 1006.6T

NUMEROS INTERNATIONAL  
 INTERNATIONAL NUMBERS  
 NUMEROS INTERNATIONAL  
 NUMEROS INTERNATIONAL

PEÇA NÚMERO	GRUPOS	PEÇA NÚMERO	GRUPOS	PEÇA NÚMERO	GRUPOS
28730179	39/202	31434163	18/37	3211P001	52/379
	39/203		18/38		52/382
	39/204		18/51		52/383
	39/214		18/52	3211P004	12/89
	36/264		18/53		12/90
	39/265		18/55	3211P005	31/187
	39/268	31726592	42/242		31/189
	39/274		42/246	3211P007	58/80
	39/275		42/248		58/81
	39/276	3174P405	17/44		58/82
31134165	11/103		17/67	3212P002	17/44
	11/104		17/68		17/45
3115C071	35/104		18/37		17/67
	35/105		18/52		17/68
	35/121		18/53		41/60
	35/132	31743108	18/37		41/79
	35/134		18/38	3212V001	33/131
	35/136		18/51	3212V002	20/19
	35/138		18/52		20/23
3115C101	35/135		18/53		20/24
3115T043	32/108		18/55	32166219	17/44
3115T091	32/109	31744123	18/37		17/45
3117A035	56/108		18/38		17/67
3117C061	13/44		18/51		17/68
	13/45		18/52	32166221	17/44
	13/52		18/53		17/45
	13/62		18/55		17/67
	13/63	31744133	17/44		17/68
	13/64		17/45	32166222	17/44
3117L012	21/32		18/37		17/45
	21/37		18/38		17/67
3117L023	21/29		18/51		17/68
	21/38		18/53	32166329	11/81
	21/40		18/55		11/82
3117L052	39/202	31744151	15/28		11/103
	39/203		15/29		11/104
	39/204		15/35	32168212	11/81
	39/214		15/36		11/82
	39/219		33/131		11/103
31171931	21/36	31745122	17/44		11/104
3135X041	11/81		17/45	3218V005	33/131
	11/82		18/37	32184226	42/212
	11/103	31754119	18/38		42/214
	11/104		18/51		42/220
3135X042	11/81		18/55		42/224
	11/82		53/45		42/242
	11/103		53/62		42/245
	11/104		53/63		42/246
31416307	21/29		53/64		42/248
	21/32	3175H001	73/137	32184422	39/203
	21/36		73/164		39/204
	21/37		73/165		48/182
	21/38	3178C078	31/165	32186137	32/108
	21/40	3211P001	52/328		32/109
IMPRESSO NO BRASIL		1006.6 / 1006.6T		81000081C	09/00



ÍNDICE NUMÉRICO  
NUMERICAL INDEX  
INDICE NUMERICO  
INDEX NUMERIQUE

1006.6  
1006.6T

NUMEROS INTERNATIONAL  
INTERNATIONAL NUMBERS  
NUMEROS INTERNATIONAL  
NUMEROS INTERNATIONAL

PEÇA NÚMERO	GRUPOS	PEÇA NÚMERO	GRUPOS	PEÇA NÚMERO	GRUPOS
32186405	31/165	3274P003	34/119	33142111	11/104
	31/187		34/120	33153135	21/29
	31/188	32762116	14/39		21/32
	31/189		14/40		21/36
3241H009	22/15		14/99		21/37
32416118	11/81		14/100		21/38
	11/82	3278H006	33/154		21/40
	11/103	3311K009	18/37	3317M001	34/88
	11/104		18/38		34/89
	34/119	3211R003	11/103	3321A003	21/29
	34/120		11/104		21/32
32416119	11/81	3311X002	32/108		21/36
	11/82		32/109		21/37
	11/103	33117426	18/37		21/38
	11/104		18/38		21/40
32417134	11/81		18/51	33225412	39/202
	11/82		18/52		39/203
	11/103		18/53		39/204
	11/104		18/55		39/214
32417156	17/44	33117434	18/37		40/125
	17/45		18/38		42/212
	17/67		18/51		42/214
	17/68		18/52		42/220
32418122	11/81		18/53		42/224
	11/82		18/55		42/242
	11/103	33121416	34/88		42/245
	11/104		34/89		42/246
	34/88	33123125	15/28		42/248
	34/89		15/29		48/168
32418313	32/108		15/35		48/171
	32/109		15/36		48/182
32455119	45/132	33131412	12/88	3324E002	17/44
3254K009	38/139		12/90		17/45
	38/140	33134418	33/151		17/67
	38/141		33/152	3327E009	32/109
	38/142		33/153	33283111	33/154
	38/147		33/154	33286126	33/130
	38/150		33/157		33/152
3271H004	11/103		53/64		33/153
	11/104	33135413	42/212		33/154
	15/28		42/214		33/155
	15/29		42/220		33/157
	15/35		42/224	33286134	33/131
	15/36		42/242		33/151
32712111	15/28		42/245	33286143	33/154
	15/29		42/246	33415118	17/44
	15/35		42/248		17/45
	15/36	33135422	12/89		17/67
32712726	15/28	3314A121	17/44		17/68
	15/29		17/45		18/37
	15/35		17/67		18/38
	15/36	33142111	11/81		18/51
3274P003	34/88		11/82		18/52
	34/89		11/103		18/53
IMPRESSO NO BRASIL		1006.6 / 1006.6T		81000081 C	09/00

ÍNDICE NUMÉRICO  
NUMERICAL INDEX  
INDICE NUMERICO  
INDEX NUMERIQUE

1006.6  
1006.6T

NUMEROS INTERNATIONAL  
INTERNATIONAL NUMBERS  
NUMEROS INTERNATIONAL  
NUMEROS INTERNATIONAL

PEÇA NÚMERO	GRUPOS	PEÇA NÚMERO	GRUPOS	PEÇA NÚMERO	GRUPOS
33415118	18/55	33811113	18/51	3425M006	42/212
33415509	74/300		18/52		42/214
3342A303	33/131		18/53		42/220
3342T007	17/44		18/55		42/224
	17/67	33811114	39/203		42/242
	17/68		39/204		42/245
	18/37		42/212		42/246
	18/52		42/214		42/248
	18/53		42/220	3482V139	33/154
33422631	74/91		42/224	3482V141	33/154
33424107	17/44		42/242	3521P062	48/182
	17/45		42/245	3521P063	48/182
	18/37		42/246	3521P064	48/182
	18/38		42/248	3521P065	48/182
	18/51	33812116	31/165	3521P066	48/182
	18/55		31/187	3521P067	48/182
3343F002	17/44		31/188	3522N014	48/138
3343F041	17/45		31/189	3522N015	48/138
	17/67	33813129	48/124	3522N016	48/138
	17/68		48/125	3522N017	48/138
3343J002	17/44		48/126	3522N018	48/138
	17/45		48/134	3522N019	48/138
3343J021	17/67		48/138	3522N021	48/168
	17/68		48/168	3522N022	48/168
3346C006	33/154		48/171	3522N023	48/168
3353D004	39/202		48/182	3522N024	48/168
	39/214	33813131	33/154	3522N025	48/168
33532129	42/212		48/124	3522N026	48/168
	42/214		48/125	3522N034	48/171
	42/220		48/126	3522N035	48/171
	42/224		48/134	3522N036	48/171
	42/242		48/138	3522N037	48/171
	42/245		48/168	3522N038	48/171
	42/246		48/171	3522N039	48/171
	42/248		48/182	35511111	18/51
33552414	33/154	33817135	34/88		18/52
33811112	39/202		34/89		18/53
	39/203		34/119		18/55
	39/204		34/120	3552A013	39/203
	39/214	3382P004	56/108		39/204
	40/125	3383E011	76/25		48/182
	42/212	33851126	58/32	3558X021	48/124
	42/214		58/44		48/125
	42/220	33853123	58/80		48/126
	42/224		58/81		48/134
	42/242		58/82		48/138
	42/245	33854114	37/142		48/168
	42/246		37/143		48/171
	42/248	3386A004	38/147		48/182
	48/168		39/219	3571C045	15/35
	48/171	33872519	53/45		15/36
	48/182		53/62	3572V011	15/28
33811113	18/37		53/63	3572V012	15/28
	18/38		53/64		15/29
IMPRESSO NO BRASIL		1006.6 / 1006.6T		81000081C	09/00

ÍNDICE NUMÉRICO  
 NUMERICAL INDEX  
 INDICE NUMERICO  
 INDEX NUMERIQUE

1006.6  
 1006.6T

NUMEROS INTERNATIONAL  
 INTERNATIONAL NUMBERS  
 NUMEROS INTERNATIONAL  
 NUMEROS INTERNATIONAL

PEÇA NÚMERO	GRUPOS	PEÇA NÚMERO	GRUPOS	PEÇA NÚMERO	GRUPOS
3572V013	15/29	36516119	48/182	36817181	20/19
	15/35	3653K004	73/137		20/23
	15/36		73/163		20/24
3575K007	31/165		73/164	3682H003	12/68
	31/187		73/165		12/70
	31/189	3654W003	36/84	3683D006	58/32
3575K013	31/188		36/104		58/44
3577A125	31/165		36/105		58/80
	31/187		36/106		58/81
	31/188		36/107		58/82
	31/189	36561128	53/64	3683H005	31/165
3612H001	35/105	36567444	58/32		31/187
3612H002	35/132		58/44		31/188
	35/133		58/80		31/189
	35/134		58/81	3683H006	12/68
	35/138		58/82		12/70
3617A001	12/68	36568138	42/212		12/88
	12/70		42/214		12/89
	12/88		42/220		12/90
	12/89		42/224	3683N004	37/116
	12/90	36568153	42/212	36831122	15/28
36178134	12/89		42/214	36831127	15/28
3621X007	36/84		42/220		15/29
	36/104		42/224		15/35
	36/105	3662K002	48/124		15/36
	36/106		48/125	36832138	58/32
	36/107		48/126		58/44
3623K007	36/84		48/134		58/80
	36/104		48/138		58/81
	36/105		48/168		58/82
	36/106		48/171	36832143	15/28
	36/107		48/182		15/29
36241123	53/45	3681C001	34/88		15/35
	53/62		34/89		15/36
3627P023	11/81	3681C003	34/119	36833152	34/88
	11/82		34/120		34/89
	11/103	3681H205	17/44		34/119
	11/104		17/45		34/120
3645E008	39/202	3681H208	17/67	3684A004	37/116
	39/203		17/68		37/142
	39/204	3681M007	31/165		37/143
	39/214		31/187	3684N008	76/24
	39/264		31/188		76/25
	39/265		31/189		76/28
	39/268	3681P009	12/68		76/29
	39/274		12/70		76/30
	39/275		12/88	3684R011	33/130
	39/276		12/89		33/131
36516119	39/203		12/90	3684R012	33/151
	39/204	3681P011	12/68		33/152
	42/212		12/70		33/153
	42/214		12/88		33/154
	42/220		12/89		33/157
	42/224		12/90	3685F005	37/116
IMPRESSO NO BRASIL		1006.6 / 1006.6T		81000081 C	09/00

ÍNDICE NUMÉRICO  
NUMERICAL INDEX  
INDICE NUMERICO  
INDEX NUMERIQUE

1006.6  
1006.6T

NUMEROS INTERNATIONAL  
INTERNATIONAL NUMBERS  
NUMEROS INTERNATIONAL  
NUMEROS INTERNATIONAL

PEÇA NÚMERO	GRUPOS	PEÇA NÚMERO	GRUPOS	PEÇA NÚMERO	GRUPOS
3685F005	37/142	3688C028	38/142	3773X021	33/157
	37/143		38/147	37731881	74/91
3685R005	36/84		38/150	3774X021	34/88
	36/104	3688X008	33/151	3774X801	34/89
	36/105		33/152	3775E012	18/37
	36/106		33/153		18/38
	36/107		33/157	3776E011	37/143
36856104	42/212	3714V011	45/132	37763052	33/130
	42/214	3716C033	12/68	3777J122	38/109
	42/220		12/70		38/116
	42/224	3716C242	12/88		38/139
	42/242		12/89		38/140
	42/245		12/90		38/141
	42/246	3717P171	31/165		38/142
	42/248		31/187		38/147
3686A511	33/131		31/189		38/150
	33/151	3717P222	31/188	37775233	41/60
	33/152	3718X719	34/88	37775236	41/79
	33/153		34/89	3778M021	41/61
	33/157	3746E051	33/154	3781A008	34/88
3686T006	33/130	3751K121	33/151		34/89
	33/131		33/152	3781N005	12/70
	33/151		33/153	3781N013	12/70
	33/152		33/157	3781N042	12/90
	33/153	37513255	46/75	3781N043	12/90
	33/154	3753E001	33/130	3818D013	42/212
	33/155	3753R111	12/68		42/214
	33/157		12/70		42/220
36862191	41/60	3753R152	33/130		42/224
	41/61	3753V018	44/118		42/242
	41/79		44/133		42/245
3687H005	44/118	3764E061	37/116		42/246
	44/133	3766P071	76/24		42/248
3687W006	33/131		76/28	3818X901	18/37
	33/151		76/30		18/38
	33/152	3766P194	76/25	4111A008	15/28
	33/153		76/29		15/29
	33/157	3771K083	37/116		15/35
3687W022	33/154		37/142		15/36
3687Y002	33/130	3771K101	37/116	4111A013	22/15
3688A006	58/32		37/142	4113H053	35/104
	58/44	3771K121	37/143		35/105
	58/80	3771X141	33/131		35/114
	58/81	3771X151	33/131		35/121
	58/82	3773D042	33/131		35/132
3688C017	41/60	3773K051	33/153		35/133
	41/61		33/154		35/136
	41/79		33/155		35/138
3688C018	74/310		33/157	4113H077	35/134
3688C028	38/109	3773T101	33/153	4113H085	35/135
	38/116		33/154	4115018	22/21
	38/139		33/157	4121C017	39/203
	38/140	3773X021	33/151		39/204
	38/141		33/152	4121C021	39/202

ÍNDICE NUMÉRICO  
 NUMERICAL INDEX  
 INDICE NUMERICO  
 INDEX NUMERIQUE

1006.6  
 1006.6T

NUMEROS INTERNATIONAL  
 INTERNATIONAL NUMBERS  
 NUMEROS INTERNATIONAL  
 NUMEROS INTERNATIONAL

PEÇA NÚMERO	GRUPOS	PEÇA NÚMERO	GRUPOS	PEÇA NÚMERO	GRUPOS
4121C021	39/214	41321046	33/152	70180156	37/142
	42/246	4133L012	37/142		37/143
	48/168		37/143	70180157	76/25
	48/171	4134C004	34/88		76/29
4122P005	42/212		34/89	70190005	42/224
	42/242	4134C011	34/120	70200573	58/32
4122P009	42/248	4134C012	34/119		58/44
4122P012	42/212	4138A017	11/82		58/81
	42/242		11/103	70200582	38/139
4122P016	42/214		15/29		38/141
	42/220		15/35		38/147
	42/245	4138A034	15/28		39/203
	42/246		15/29		39/204
4122T006	42/214		15/35		39/219
	42/220		15/36	70200655	43/63
	42/245	4138A035	33/131	70320080	31/187
	42/248	4142A143	12/68	70320081	31/188
4124E041	38/139		12/70		31/189
	38/141	4142A171	12/88	70330026	35/104
	38/147		12/89		35/105
	39/203		12/90		35/121
	39/204	4142V066	20/19		35/132
	48/167		20/23		35/134
4124E112	40/125		20/24		35/136
4125C005	42/224	4142X062	34/119	70410088	39/264
4125T005	42/212		34/120		39/265
	42/214	4142X098	34/119		39/268
	42/220		34/120		39/274
	42/224	4152A002	12/88		39/275
	42/242		12/89		39/276
	42/245		12/90	70470066	52/328
	42/246	4181A019	14/99		52/379
	42/248	4181A026	14/100		52/382
4126E069	39/219	70100698	75/141		52/383
4126X048	58/32	70100716	18/51	70470073	74/300
	58/44		18/52	70490249	74/90
	58/80		18/53	70490280	39/202
	58/81		18/55		39/203
	58/82	70100740	74/300		39/204
4126X105	58/32	70170026	14/40		39/214
	58/44		14/99		39/219
	58/80	70170035	14/39		39/264
	58/81		14/100		39/265
	58/82	70180146	74/300		39/268
4126X124	11/103	70180154	53/45		39/274
	15/35		53/62		39/275
4131E018	56/137		53/63		39/276
4131E021	56/136		53/64	70540127	74/300
4132F043	15/28		58/32	70570074	46/74
	15/36		58/44	70570082	74/300
4132F057	15/29		58/80	70570094	14/39
	15/35		58/81		14/40
41321046	33/131		58/82		14/99
	33/151	70180156	37/116		14/100
IMPRESSO NO BRASIL		1006.6 / 1006.6T		81000081 C	09/00

ÍNDICE NUMÉRICO  
 NUMERICAL INDEX  
 INDICE NUMERICO  
 INDEX NUMERIQUE

1006.6  
 1006.6T

NUMEROS INTERNATIONAL  
 INTERNATIONAL NUMBERS  
 NUMEROS INTERNATIONAL  
 NUMEROS INTERNATIONAL

PEÇA NÚMERO	GRUPOS	PEÇA NÚMERO	GRUPOS	PEÇA NÚMERO	GRUPOS
7060001	39/203	70670191	35/114	70920081	48/134
	39/204	70670196	35/117		48/138
	42/212	70690005	75/141		48/168
	42/214	70730043	12/68		48/171
	42/220		12/70		48/182
	42/224		12/88	70920083	48/124
	48/182		12/89		48/125
70650074	37/116		12/90		48/126
70650075	17/44	70730050	20/19		48/134
	17/45		20/23		48/138
	17/67		20/24		48/168
	17/68	70740177	75/141		48/171
70650109	52/327	70740343	75/141		48/182
	52/328	70740344	45/116	70920109	31/165
	52/379		45/132		31/187
	52/382	70820101	36/84		31/188
	52/383	70820102	36/84		31/189
70650115	42/224	70910059	17/44	70920114	48/182
70650116	38/109		17/45	70920115	42/224
	38/140		17/67		42/245
	38/147		17/68		75/141
	38/150		18/37	70920117	39/203
70650118	17/44		18/38		39/204
	17/45		18/51	70920120	42/212
	17/67		18/52		42/214
	17/68		18/53		42/220
	33/131		18/55		42/224
	33/151	70910060	17/44		42/242
	33/152		17/68		42/245
	44/118		18/37		42/246
	52/327		18/53		42/248
	52/328	70910061	17/45		44/118
	52/382		17/67	70920128	17/67
	17/44		18/38		43/75
70650119	17/45		18/51		52/327
	17/67		18/52		52/379
	17/68		18/55		52/382
	37/116	70920065	11/81		52/383
	37/142		11/82	70920133	42/212
	37/143		36/84		42/214
	44/118		38/139		42/220
	44/133		38/140		42/242
	52/327		38/141		42/246
	52/328		38/142		42/248
	52/379		38/147	70920135	42/212
	52/382		40/114		42/214
	52/383		40/119		42/220
70650121	37/143		40/125		42/224
70650138	17/67		40/126		42/242
	52/327		76/24		42/245
	52/328		76/28		42/246
	52/379	70920081	48/124		42/248
	52/382		48/125	70940130	45/116
	52/383		48/126	70940151	22/21
IMPRESSO NO BRASIL		1006.6 / 1006.6T		81000081C	09/00

ÍNDICE NUMÉRICO  
NUMERICAL INDEX  
INDICE NUMERICO  
INDEX NUMERIQUE

1006.6  
1006.6T

NUMEROS INTERNATIONAL  
INTERNATIONAL NUMBERS  
NUMEROS INTERNATIONAL  
NUMEROS INTERNATIONAL

PEÇA NÚMERO	GRUPOS	PEÇA NÚMERO	GRUPOS	PEÇA NÚMERO	GRUPOS
70992547	11/82	70998160	58/80		
	15/29	70998172	22/15		
70992752	75/141		22/21		
70992908	42/224	80650722	38/139		
70992910	35/117		38/140		
70993416	48/182		38/141		
70998033	11/81		38/142		
	11/82		38/147		
70998041	18/37		40/114		
	18/38		40/119		
	18/51		40/125		
	18/52		40/126		
	18/53		76/24		
	18/55		76/28		
70998078	14/39	K134AF01	39/264		
	14/100		39/265		
70998085	14/40		39/268		
	14/99		39/274		
70998095	18/37		39/275		
	18/38		39/276		
	18/51	U5LL0014	14/100		
	18/52	U5LL0015	14/99		
	18/53	U5MB0010	13/52		
	18/55	U5MB0010 A	13/52		
70998096	18/37	U5MB0010 B	13/52		
	18/38	U5MB0010 C	13/52		
	18/51	U5MH0050	37/116		
	18/52	U5MH0159	56/108		
	18/53	U5MH0160	56/108		
	18/55	U7LR0003	18/37		
70998113	37/116		18/38		
	37/142	U7LW0151	56/108		
	37/143				
70998120	17/44				
	17/45				
	17/67				
	17/68				
	18/37				
	18/38				
	18/51				
	18/52				
	18/53				
	18/55				
70998122	17/44				
	17/45				
	17/67				
	17/68				
	18/37				
	18/38				
	18/51				
	18/52				
	18/53				
	18/55				
70998160	58/32				

GRUPOS	UNIDADE BÁSICA Nº 304	BASIC UNIT Nº 304	UNIDAD BÁSICA Nº 304	UNITÉ DE BASE Nº 304
11/81	BLOCO DE CILINDROS	CYLINDER BLOCK	BLOQUE DE CILINDROS	BLOC-CYLINDRES
12/70	CAIXA DISTRIBUIÇÃO	TIMING CASE	CAJA DISTRIBUCIÓN	CARTER DISTRIBUTION
13/44	ÁRVORE DE MANIVELAS	CRANKSHAFT	CIGÜENAL	VILEBREQUIN
14/99	PISTÕES E BIELAS	PISTONS / CONNECT RODS	PISTONES Y BIELAS	PISTONS ET BIELLES
15/28	BOMBA ÓLEO LUBRIFICANTE	LUBRICATING OIL PUMP	BOMBA ACEITE LUBRICANTE	POMPE À HUILE LUBRIFIANTE
17/44	CABEÇOTE	CYLINDER HEAD	CULATA	CULASSE
18/37	VÁLVULAS/BALANCEIROS	VALVES / ROCKERSHAFT	VÁLVULAS / BALANCINES	SOUPAPES / LEVIERS
20/19	RETENTOR TRASEIRO DE ÓLEO	REAR OIL SEAL	SELLO TRASERO DE ACEITE	DÉFLECTEUR D'HUILE ARR.
21/32	ÁRVORE COMANDO VÁLVULAS	CAMSHAFT	ARBOL DE LEVAS	ARBRE À CAMES
22/15	ENGRENAGENS DISTRIBUIÇÃO	IDLER GEARS	ENGRENAJES DISTRIBUCIÓN	PIGNONS DISTRIBUTION
	<b>COMPLEMENTOS</b>	<b>COMPLEMENTS</b>	<b>COMPLEMENTOS</b>	<b>COMPLÉMENTS</b>
31/165	CARTER ÓLEO LUBRIFICANTE	LUBRICATING OIL SUMP	CARTER ACEITE LUBRICANTE	CARTER HUILE LUBRIFIANTE
32/108	POLIA ÁRVORE MANIVELAS	CRANKSHAFT PULLEY	POLEA DEL CIGÜENAL	POULIE DU VILEBREQUIN
33/130	FILTRO ÓLEO LUBRIF./RESFRIADOR	LUBR. OIL FILTER / COOLER	FILT. ACEITE / REFRIGERADOR	FILTRE HUILE / REFROID
34/88	TAMPA DO CABEÇOTE	CYLINDER HEAD COVER	TAPA DE VÁLVULAS	CACHE-CULBUTEURS
35/104	VENTILADOR	FAN	VENTILADOR	VENTILATEUR
36/84	TAMPA TRASEIRA CABEÇOTE	CYLINDER HEAD REAR COVER	TAPA TRASERA DE LA CULATA	CACHE-CULBUTEURS ARRIERE
37/116	TERMOSTATO E CARÇAÇA	THERMOSTAT AND HOUSING	TERMOSTATO Y CÁRTER	THERMOSTAT ET CARTER
38/109	COLETOR DE ADMISSÃO	INDUCTION MANIFOLD	MÚLTIPLE DE ADMISIÓN	COLLECTEUR D'ADMISSION
39/202	BOMBA INJETORA COMBUSTÍVEL	FUEL INJECTION PUMP	BOMBA INYECTORA COMBUSTIBLE	POMPE D'INJEC. / COMBUST.
40/114	SISTEMA AUXILIAR PARTIDA	COLD WEATHER STARTING AID	SIST. AUXILIAR DE ARRANQUE	THERMOSTART
41/60	COLETOR DE ESCAPE	EXHAUST MANIFOLD	MÚLTIPLE DE ESCAPE	COLLECTEUR D'ÉCHAPPEMENT
42/220	BOMBA ALIMENTADORA E FILTRO ÓLEO COMBUSTÍVEL	FUEL LIFT PUMP AND FUEL OIL FILTER	BOMBA DE ALIMENTACIÓN Y FILTROS ACEITE COMBUSTIBLE	POMPE D'ALIMENTATION ET FILTRE À HUILE COMBUSTIBLE
43/63	TOMADA P/ MANÔMETRO ÓLEO	OIL PRESS GAUGE FITTING	TOMA P/ MANÓMETRO ACEITE	PRISE P/ MANOMETRE D'HUILE
44/118	TOMADA POTÊNCIA	POWER TAKE-OFF	TOMA DE POTENCIA	PRISE DE PUISSANCE
45/116	CARÇAÇA DO VOLANTE	FLYWHEEL HOUSING	CARTER DEL VOLANTE	CARTER DU VOLANT
46/62	MOTOR DE PARTIDA	STARTER MOTOR	MOTOR DE ARRANQUE	DÉMARREUR
47/	ACIONAMENTO DO TAQUÍMETRO	TACHOMETER DRIVE	MANDO DEL TAQUÍMETRO	COMMANDE DU COMPTE-TOURS
48/124	TUBO INJEÇÃO / INJETORES	FUEL INJECTION SYSTEM	EQUIPO DE INYECCIÓN	SYSTEME D'INJECTION
49/	CONEXÃO ENTRADA D'ÁGUA	WATER INLET CONNECTION	CONEXIÓN ENTRADA D'ÁGUA	RACCORD D'ENTRÉE D'EAU
50/	ALTERNADOR E CORREIA	ALTERNATOR AND BELT	ALTERNADOR Y CORREA	ALTERNATEUR ET COURROIE
52/327	ÍTEMS DE INSTALAÇÃO	FITTING ITEMS	PIEZAS DE INSTALACIÓN	ARTICLES D'INSTALLATION
53/45	RESPIRO DO MOTOR	ENGINE BREATHER	RESPIRADERO DEL MOTOR	RENIFLARD DU MOTEUR
54/	FILTRO DE AR	AIR CLEANER	FILTRO DE AIRE	FILTRE À AIR
55/	VOLANTE E CREMALHEIRA	FLYWHEEL AND STARTER RING	VOLANTE Y CORONA	VOLANT ET COURONNE
56/108	BOMBA D'ÁGUA	WATER PUMP	BOMBA DE ÁGUA	POMPE À EAU
58/	TURBO ALIMENTADOR	TURBOCHARGER	AVEC COMPRESSEUR	TURBINA
	<b>ACESSÓRIOS</b>	<b>ACCESSORIES</b>	<b>ACESSORIOS</b>	<b>ACESSOIRES</b>
71/	SUPORTE DO MOTOR	ENGINE SUPPORTS	SOPORTES DEL MOTOR	SUPPORTS DU MOTEUR
72/	SISTEMA DE ARREFECIMENTO	COOLING SYSTEM	SISTEMA DE ENFRIAMIENTO	SYSTEME REFROIDISSEMENT
73/137	CONTROLES	CONTROLS	CONTRÔLES	CONTRÔLES
74/90	SISTEMA DE ESCAPE	EXHAUST SYSTEM	SISTEMA DE ESCAPE	SYSTEME D'ÉCHAPPEMENT
75/141	SISTEMA DE COMBUSTÍVEL	FUEL SYSTEM	SISTEMA DE COMBUSTIBLE	SYSTEME D'COMBUSTIBLE
76/24	SISTEMA DE ADMISSÃO	INDUCTION SYSTEM	SISTEMA DE ADMISIÓN	SYSTEME D'ADMISSION
77/	PAINEL DE INSTRUMENTOS	INSTRUMENT PANEL	TABLERO DE INSTRUMENTOS	TABLEAU DE BORD
78/	SISTEMA ELÉTRICO	ELECTRICAL SYSTEM	SISTEMA ELÉCTRICO	SYSTEME ÉLECTRIQUE
	<b>JOGO DE JUNTAS</b>	<b>JOINT SETS</b>	<b>JUEGOS DE JUNTAS</b>	<b>JEUX DE JOINTS</b>
00/83	JOGO DE JUNTAS CABEÇOTE	TOP OVERHAUL	JUEGO DE JUNTAS CULATA	JEU DE JOINTS CULASSE
00/85	JOGO DE JUNTAS BLOCO	BOTTOM OVERHAUL	JUEGO DE JUNTAS BLOQUE	JEU DE JOINTS DU BLOC



GRUPOS	UNIDADE BÁSICA Nº 305	BASIC UNIT Nº 305	UNIDAD BÁSICA Nº 305	UNITÉ DE BASE Nº 305
11/82	BLOCO DE CILINDROS	CYLINDER BLOCK	BLOQUE DE CILINDROS	BLOC-CYLINDRES
12/68	CAIXA DISTRIBUIÇÃO	TIMING CASE	CAJA DISTRIBUCIÓN	CARTER DISTRIBUTION
13/45	ÁRVORE DE MANIVELAS	CRANKSHAFT	CIGÜENAL	VILEBREQUIN
14/100	PISTÕES E BIELAS	PISTONS / CONNECT RODS	PISTONES Y BIELAS	PISTONS ET BIELLES
15/29	BOMBA ÓLEO LUBRIFICANTE	LUBRICATING OIL PUMP	BOMBA ACEITE LUBRIFICANTE	POMPE À HUILE LUBRIFIANTE
17/45	CABEÇOTE	CYLINDER HEAD	CULATA	CULASSE
18/38	VÁLVULAS/BALANCEIROS	VALVES / ROCKERSHAFT	VÁLVULAS / BALANCINES	SOUPAPES / LEVIERS
20/19	RETENTOR TRASEIRO DE ÓLEO	REAR OIL SEAL	SELLO TRASERO DE ACEITE	DÉFLECTEUR D'HUILE ARR.
21/29	ÁRVORE COMANDO VÁLVULAS	CAMSHAFT	ARBOL DE LEVAS	ARBRE À CAMES
22/15	ENGRENAGENS DISTRIBUIÇÃO	IDLER GEARS	ENGRENAJES DISTRIBUCIÓN	PIGNONS DISTRIBUTION
	<b>COMPLEMENTOS</b>	<b>COMPLEMENTS</b>	<b>COMPLEMENTOS</b>	<b>COMPLÉMENTS</b>
31/165	CARTER ÓLEO LUBRIFICANTE	LUBRICATING OIL SUMP	CARTER ACEITE LUBRIFICANTE	CARTER HUILE LUBRIFIANTE
32/109	POLIA ÁRVORE MANIVELAS	CRANKSHAFT PULLEY	POLEA DEL CIGÜENAL	POULIE DU VILEBREQUIN
33/131	FILTRO ÓLEO LUBRIF./RESFRIADOR	LUBR. OIL FILTER / COOLER	FILT. ACEITE / REFRIGERADOR	FILTRE HUILE / REFROID
34/89	TAMPA DO CABEÇOTE	CYLINDER HEAD COVER	TAPA DE VÁLVULAS	CACHE-CULBUTEURS
35/105	VENTILADOR	FAN	VENTILADOR	VENTILATEUR
36/84	TAMPA TRASEIRA CABEÇOTE	CYLINDER HEAD REAR COVER	TAPA TRASERA DE LA CULATA	CACHE-CULBUTEURS ARRIERE
37/116	TERMOSTATO E CARÇAÇA	THERMOSTAT AND HOUSING	TERMOSTATO Y CÁRTER	THERMOSTAT ET CARTER
38/109	COLETOR DE ADMISSÃO	INDUCTION MANIFOLD	MÚLTIPLE DE ADMISIÓN	COLLECTEUR D'ADMISSION
39/203	BOMBA INJETORA COMBUSTÍVEL	FUEL INJECTION PUMP	BOMBA INYECTORA COMBUSTIBLE	POMPE D'INJEC. / COMBUST.
40/114	SISTEMA AUXILIAR PARTIDA	COLD WEATHER STARTING AID	SIST. AUXILIAR DE ARRANQUE	THERMOSTART
41/61	COLETOR DE ESCAPE	EXHAUST MANIFOLD	MÚLTIPLE DE ESCAPE	COLLECTEUR D'ÉCHAPPEMENT
42/212	BOMBA ALIMENTADORA E FILTRO ÓLEO COMBUSTÍVEL	FUEL LIFT PUMP AND FUEL OIL FILTER	BOMBA DE ALIMENTACIÓN Y FILTROS ACEITE COMBUSTIBLE	POMPE D'ALIMENTATION ET FILTRE À HUILE COMBUSTIBLE
43/63	TOMADA P/MANÔMETRO ÓLEO	OIL PRESS GAUGE FITTING	TOMA P/MANÓMETRO ACEITE	PRISE P/MANOMETRE D'HUILE
44/118	TOMADA POTÊNCIA	POWER TAKE-OFF	TOMA DE POTENCIA	PRISE DE PUISSANCE
45/116	CARÇAÇA DO VOLANTE	FLYWHEEL HOUSING	CARTER DEL VOLANTE	CARTER DU VOLANT
46/62	MOTOR DE PARTIDA	STARTER MOTOR	MOTOR DE ARRANQUE	DÉMARREUR
47/	ACIONAMENTO DO TAQUÍMETRO	TACHOMETER DRIVE	MANDO DEL TAQUÍMETRO	COMMANDE DU COMPTE-TOURS
48/125	TUBO INJEÇÃO / INJETORES	FUEL INJECTION SYSTEM	EQUIPO DE INYECCIÓN	SYSTEME D'INJECTION
49/	CONEXÃO ENTRADA D'ÁGUA	WATER INLET CONNECTION	CONEXIÓN ENTRADA D'ÁGUA	RACCORD D'ENTRÉE D'EAU
50/	ALTERNADOR E CORREIA	ALTERNATOR AND BELT	ALTERNADOR Y CORREA	ALTERNATEUR ET COURROIE
52/328	ÍTENS DE INSTALAÇÃO	FITTING ITEMS	PIEZAS DE INSTALACIÓN	ARTICLES D'INSTALLATION
53/45	RESPIRO DO MOTOR	ENGINEER BREATHER	RESPIRADERO DEL MOTOR	RENIFLARD DU MOTEUR
54/	FILTRO DE AR	AIR CLEANER	FILTRO DE AIRE	FILTRE À AIR
55/	VOLANTE E CREMALHEIRA	FLYWHEEL AND STARTER RING	VOLANTE Y CORONA	VOLANT ET COURONNE
56/108	BOMBA D'ÁGUA	WATER PUMP	BOMBA DE ÁGUA	POMPE À EAU
58/32	TURBO ALIMENTADOR	TURBOCHARGER	AVEC COMPRESSEUR	TURBINA
	<b>ACESSÓRIOS</b>	<b>ACCESSORIES</b>	<b>ACESSORIOS</b>	<b>ACCESSOIRES</b>
71/	SUORTE DO MOTOR	ENGINE SUPPORTS	SOPORTES DEL MOTOR	SUPPORTS DU MOTEUR
72/	SISTEMA DE ARREFECIMENTO	COOLING SYSTEM	SISTEMA DE ENFRIAMIENTO	SYSTEME REFROIDISSEMENT
73/137	CONTROLES	CONTROLS	CONTROLES	CONTRÔLES
74/91	SISTEMA DE ESCAPE	EXHAUST SYSTEM	SISTEMA DE ESCAPE	SYSTEME D'ÉCHAPPEMENT
75/141	SISTEMA DE COMBUSTÍVEL	FUEL SYSTEM	SISTEMA DE COMBUSTIBLE	SYSTEME D'COMBUSTIBLE
76/25	SISTEMA DE ADMISSÃO	INDUCTION SYSTEM	SISTEMA DE ADMISIÓN	SYSTEME D'ADMISSION
77/	PAINEL DE INSTRUMENTOS	INSTRUMENT PANEL	TABLERO DE INSTRUMENTOS	TABLEAU DE BORD
78/	SISTEMA ELÉTRICO	ELECTRICAL SYSTEM	SISTEMA ELÉCTRICO	SYSTEME ÉLECTRIQUE
	<b>JOGO DE JUNTAS</b>	<b>JOINT SETS</b>	<b>JUEGOS DE JUNTAS</b>	<b>JEUX DE JOINTS</b>
00/82	JOGO DE JUNTAS CABEÇOTE	TOP OVERHAUL	JUEGO DE JUNTAS CULATA	JEU DE JOINTS CULASSE
00/84	JOGO DE JUNTAS BLOCO	BOTTOM OVERHAUL	JUEGO DE JUNTAS BLOQUE	JEU DE JOINTS DU BLOC

GRUPOS	UNIDADE BÁSICA Nº 304	BASIC UNIT Nº 304	UNIDAD BÁSICA Nº 304	UNITÉ DE BASE Nº 304
11/81	BLOCO DE CILINDROS	CYLINDER BLOCK	BLOQUE DE CILINDROS	BLOC-CYLINDRES
12/70	CAIXA DISTRIBUIÇÃO	TIMING CASE	CAJA DISTRIBUCIÓN	CARTER DISTRIBUTION
13/44	ÁRVORE DE MANIVELAS	CRANKSHAFT	CIGÜENAL	VILEBREQUIN
14/99	PISTÕES E BIELAS	PISTONS / CONNECT RODS	PISTONES Y BIELAS	PISTONS ET BIELLES
15/28	BOMBA ÓLEO LUBRIFICANTE	LUBRICATING OIL PUMP	BOMBA ACEITE LUBRICANTE	POMPE À HUILE LUBRIFIANTE
17/44	CABEÇOTE	CYLINDER HEAD	CULATA	CULASSE
18/37	VÁLVULAS/BALANCEIROS	VALVES / ROCKERSHAFT	VÁLVULAS / BALANCINES	SOUPAPES / LEVIERS
20/19	RETENTOR TRASEIRO DE ÓLEO	REAR OIL SEAL	SELLO TRASERO DE ACEITE	DÉFLECTEUR D'HUILE ARR.
21/32	ÁRVORE COMANDO VÁLVULAS	CAMSHAFT	ARBOL DE LEVAS	ARBRE À CAMES
22/15	ENGRENAGENS DISTRIBUIÇÃO	IDLER GEARS	ENGRENAJES DISTRIBUCIÓN	PIGNONS DISTRIBUTION
	<b>COMPLEMENTOS</b>	<b>COMPLEMENTS</b>	<b>COMPLEMENTOS</b>	<b>COMPLÉMENTS</b>
31/165	CARTER ÓLEO LUBRIFICANTE	LUBRICATING OIL SUMP	CARTER ACEITE LUBRICANTE	CARTER HUILE LUBRIFIANTE
32/108	POLIA ÁRVORE MANIVELAS	CRANKSHAFT PULLEY	POLEA DEL CIGÜENAL	POULIE DU VILEBREQUIN
33/130	FILTRO ÓLEO LUBRIF./RESFRIADOR	LUBR. OIL FILTER / COOLER	FILT. ACEITE / REFRIGERADOR	FILTRE HUILE / REFROID
34/88	TAMPA DO CABEÇOTE	CYLINDER HEAD COVER	TAPA DE VÁLVULAS	CACHE-CULBUTEURS
35/104	VENTILADOR	FAN	VENTILADOR	VENTILATEUR
36/84	TAMPA TRASEIRA CABEÇOTE	CYLINDER HEAD REAR COVER	TAPA TRASERA DE LA CULATA	CACHE-CULBUTEURS ARRIERE
37/116	TERMOSTATO E CARÇAÇA	THERMOSTAT AND HOUSING	TERMOSTATO Y CÁRTER	THERMOSTAT ET CARTER
38/109	COLETOR DE ADMISSÃO	INDUCTION MANIFOLD	MÚLTIPLE DE ADMISIÓN	COLLECTEUR D'ADMISSION
39/204	BOMBA INJETORA COMBUSTÍVEL	FUEL INJECTION PUMP	BOMBA INYECTORA COMBUSTIBLE	POMPE D'INJEC. / COMBUST.
40/114	SISTEMA AUXILIAR PARTIDA	COLD WEATHER STARTING AID	SIST. AUXILIAR DE ARRANQUE	THERMOSTART
41/60	COLETOR DE ESCAPE	EXHAUST MANIFOLD	MÚLTIPLE DE ESCAPE	COLLECTEUR D'ÉCHAPPEMENT
42/214	BOMBA ALIMENTADORA E FILTRO ÓLEO COMBUSTÍVEL	FUEL LIFT PUMP AND FUEL OIL FILTER	BOMBA DE ALIMENTACIÓN Y FILTROS ACEITE COMBUSTIBLE	POMPE D'ALIMENTATION ET FILTRE À HUILE COMBUSTIBLE
43/63	TOMADA P/ MANÔMETRO ÓLEO	OIL PRESS GAUGE FITTING	TOMA P/ MANÓMETRO ACEITE	PRISE P/ MANOMETRE D'HUILE
44/118	TOMADA POTÊNCIA	POWER TAKE-OFF	TOMA DE POTENCIA	PRISE DE PUISSANCE
45/116	CARÇAÇA DO VOLANTE	FLYWHEEL HOUSING	CARTER DEL VOLANTE	CARTER DU VOLANT
46/62	MOTOR DE PARTIDA	STARTER MOTOR	MOTOR DE ARRANQUE	DÉMARREUR
47/	ACIONAMENTO DO TAQUÍMETRO	TACHOMETER DRIVE	MANDO DEL TAQUÍMETRO	COMMANDE DU COMPTE-TOURS
48/126	TUBO INJEÇÃO / INJETORES	FUEL INJECTION SYSTEM	EQUIPO DE INYECCIÓN	SYSTEME D'INJECTION
49/	CONEXÃO ENTRADA D'ÁGUA	WATER INLET CONNECTION	CONEXIÓN ENTRADA D'ÁGUA	RACCORD D'ENTRÉE D'EAU
50/	ALTERNADOR E CORREIA	ALTERNATOR AND BELT	ALTERNADOR Y CORREA	ALTERNATEUR ET COURROIE
52/327	ÍTENS DE INSTALAÇÃO	FITTING ITEMS	PIEZAS DE INSTALACIÓN	ARTICLES D'INSTALLATION
53/45	RESPIRO DO MOTOR	ENGINE BREATHER	RESPIRADERO DEL MOTOR	RENIFLARD DU MOTEUR
54/	FILTRO DE AR	AIR CLEANER	FILTRO DE AIRE	FILTRE À AIR
55/	VOLANTE E CREMALHEIRA	FLYWHEEL AND STARTER RING	VOLANTE Y CORONA	VOLANT ET COURONNE
56/108	BOMBA D'ÁGUA	WATER PUMP	BOMBA DE ÁGUA	POMPE À EAU
58/	TURBO ALIMENTADOR	TURBOCHARGER	AVEC COMPRESSEUR	TURBINA
	<b>ACESSÓRIOS</b>	<b>ACCESSORIES</b>	<b>ACESSORIOS</b>	<b>ACCESSOIRES</b>
71/	SUPORTE DO MOTOR	ENGINE SUPPORTS	SOPORTES DEL MOTOR	SUPPORTS DU MOTEUR
72/	SISTEMA DE ARREFECIMENTO	COOLING SYSTEM	SISTEMA DE ENFRIAMIENTO	SYSTEME REFROIDISSEMENT
73/137	CONTROLES	CONTROLS	CONTROLES	CONTRÔLES
74/90	SISTEMA DE ESCAPE	EXHAUST SYSTEM	SISTEMA DE ESCAPE	SYSTEME D'ÉCHAPPEMENT
75/141	SISTEMA DE COMBUSTÍVEL	FUEL SYSTEM	SISTEMA DE COMBUSTIBLE	SYSTEME D'COMBUSTIBLE
76/24	SISTEMA DE ADMISSÃO	INDUCTION SYSTEM	SISTEMA DE ADMISIÓN	SYSTEME D'ADMISSION
77/	PAINEL DE INSTRUMENTOS	INSTRUMENT PANEL	TABLERO DE INSTRUMENTOS	TABLEAU DE BORD
78/	SISTEMA ELÉTRICO	ELECTRICAL SYSTEM	SISTEMA ELÉCTRICO	SYSTEME ÉLECTRIQUE
	<b>JOGO DE JUNTAS</b>	<b>JOINT SETS</b>	<b>JUEGOS DE JUNTAS</b>	<b>JEUX DE JOINTS</b>
00/83	JOGO DE JUNTAS CABEÇOTE	TOP OVERHAUL	JUEGO DE JUNTAS CULATA	JEU DE JOINTS CULASSE
00/85	JOGO DE JUNTAS BLOCO	BOTTOM OVERHAUL	JUEGO DE JUNTAS BLOQUE	JEU DE JOINTS DU BLOC

GRUPOS	UNIDADE BÁSICA Nº 305	BASIC UNIT Nº 305	UNIDAD BÁSICA Nº 305	UNITÉ DE BASE Nº 305
11/82	BLOCO DE CILINDROS	CYLINDER BLOCK	BLOQUE DE CILINDROS	BLOC-CYLINDRES
12/68	CAIXA DISTRIBUIÇÃO	TIMING CASE	CAJA DISTRIBUCIÓN	CARTER DISTRIBUTION
13/45	ÁRVORE DE MANIVELAS	CRANKSHAFT	CIGÜENAL	VILEBREQUIN
14/100	PISTÕES E BIELAS	PISTONS / CONNECT RODS	PISTONES Y BIELAS	PISTONS ET BIELLES
15/29	BOMBA ÓLEO LUBRIFICANTE	LUBRICATING OIL PUMP	BOMBA ACEITE LUBRICANTE	POMPE À HUILE LUBRIFIANTE
17/45	CABEÇOTE	CYLINDER HEAD	CULATA	CULASSE
18/38	VÁLVULAS/BALANCEIROS	VALVES / ROCKERSHAFT	VÁLVULAS / BALANCINES	SOUPAPES / LEVIERS
20/19	RETENTOR TRASEIRO DE ÓLEO	REAR OIL SEAL	SELLO TRASERO DE ACEITE	DÉFLECTEUR D'HUILE ARR.
21/29	ÁRVORE COMANDO VÁLVULAS	CAMSHAFT	ARBOL DE LEVAS	ARBRE À CAMES
22/15	ENGRENAGENS DISTRIBUIÇÃO	IDLER GEARS	ENGRENAJES DISTRIBUCIÓN	PIGNONS DISTRIBUTION
<b>COMPLEMENTOS</b>				
31/165	CARTER ÓLEO LUBRIFICANTE	LUBRICATING OIL SUMP	CARTER ACEITE LUBRICANTE	CARTER HUILE LUBRIFIANTE
32/109	POLIA ÁRVORE MANIVELAS	CRANKSHAFT PULLEY	POLEA DEL CIGÜENAL	POULIE DU VILEBREQUIN
33/131	FILTRO ÓLEO LUBRIF./RESFRIADOR	LUBR. OIL FILTER / COOLER	FILT. ACEITE / REFRIGERADOR	FILTRE HUILE / REFROID
34/89	TAMPA DO CABEÇOTE	CYLINDER HEAD COVER	TAPA DE VÁLVULAS	CACHE-CULBUTEURS
35/114	VENTILADOR	FAN	VENTILADOR	VENTILATEUR
36/84	TAMPA TRASEIRA CABEÇOTE	CYLINDER HEAD REAR COVER	TAPA TRASERA DE LA CULATA	CACHE-CULBUTEURS ARRIERE
37/116	TERMOSTATO E CARÇAÇA	THERMOSTAT AND HOUSING	TERMOSTATO Y CÁRTER	THERMOSTAT ET CARTER
38/109	COLETOR DE ADMISSÃO	INDUCTION MANIFOLD	MÚLTIPLE DE ADMISIÓN	COLLECTEUR D'ADMISSION
39/214	BOMBA INJETORA COMBUSTÍVEL	FUEL INJECTION PUMP	BOMBA INYECTORA COMBUSTIBLE	POMPE D'INJEC. / COMBUST.
40/114	SISTEMA AUXILIAR PARTIDA	COLD WEATHER STARTING AID	SIST. AUXILIAR DE ARRANQUE	THERMOSTART
41/61	COLETOR DE ESCAPE	EXHAUST MANIFOLD	MÚLTIPLE DE ESCAPE	COLLECTEUR D'ÉCHAPPEMENT
42/212	BOMBA ALIMENTADORA E FILTRO ÓLEO COMBUSTÍVEL	FUEL LIFT PUMP AND FUEL OIL FILTER	BOMBA DE ALIMENTACIÓN Y FILTROS ACEITE COMBUSTIBLE	POMPE D'ALIMENTATION ET FILTRE À HUILE COMBUSTIBLE
43/63	TOMADA P/ MANÔMETRO ÓLEO	OIL PRESS GAUGE FITTING	TOMA P/ MANÓMETRO ACEITE	PRISE P/ MANOMETRE D'HUILE
44/118	TOMADA POTÊNCIA	POWER TAKE-OFF	TOMA DE POTENCIA	PRISE DE PUISSANCE
45/116	CARÇAÇA DO VOLANTE	FLYWHEEL HOUSING	CARTER DEL VOLANTE	CARTER DU VOLANT
46/62	MOTOR DE PARTIDA	STARTER MOTOR	MOTOR DE ARRANQUE	DÉMARREUR
47/	ACIONAMENTO DO TAQUÍMETRO	TACHOMETER DRIVE	MANDO DEL TAQUÍMETRO	COMMANDE DU COMPTE-TOURS
48/134	TUBO INJEÇÃO / INJETORES	FUEL INJECTION SYSTEM	EQUIPO DE INYECCIÓN	SYSTEME D'INJECTION
49/	CONEXÃO ENTRADA D'ÁGUA	WATER INLET CONNECTION	CONEXIÓN ENTRADA D'ÁGUA	RACCORD D'ENTRÉE D'EAU
50/	ALTERNADOR E CORREIA	ALTERNATOR AND BELT	ALTERNADOR Y CORREA	ALTERNATEUR ET COURROIE
52/328	ÍTENS DE INSTALAÇÃO	FITTING ITEMS	PIEZAS DE INSTALACIÓN	ARTICLES D'INSTALLATION
53/45	RESPIRO DO MOTOR	ENGINE BREATHER	RESPIRADERO DEL MOTOR	RENIFLARD DU MOTEUR
54/	FILTRO DE AR	AIR CLEANER	FILTRO DE AIRE	FILTRE À AIR
55/	VOLANTE E CREMALHEIRA	FLYWHEEL AND STARTER RING	VOLANTE Y CORONA	VOLANT ET COURONNE
56/108	BOMBA D'ÁGUA	WATER PUMP	BOMBA DE ÁGUA	POMPE À EAU
58/32	TURBO ALIMENTADOR	TURBOCHARGER	AVEC COMPRESSEUR	TURBINA
<b>ACESSÓRIOS</b>				
71/	SUPORTE DO MOTOR	ENGINE SUPPORTS	SOPORTES DEL MOTOR	SUPPORTS DU MOTEUR
72/	SISTEMA DE ARREFECIMENTO	COOLING SYSTEM	SISTEMA DE ENFRIAMIENTO	SYSTEME REFROIDISSEMENT
73/137	CONTROLES	CONTROLS	CONTROLES	CONTRÔLES
74/91	SISTEMA DE ESCAPE	EXHAUST SYSTEM	SISTEMA DE ESCAPE	SYSTEME D'ÉCHAPPEMENT
75/141	SISTEMA DE COMBUSTÍVEL	FUEL SYSTEM	SISTEMA DE COMBUSTIBLE	SYSTEME D'COMBUSTIBLE
76/25	SISTEMA DE ADMISSÃO	INDUCTION SYSTEM	SISTEMA DE ADMISIÓN	SYSTEME D'ADMISSION
77/	PAINEL DE INSTRUMENTOS	INSTRUMENT PANEL	TABLERO DE INSTRUMENTOS	TABLEAU DE BORD
78/	SISTEMA ELÉTRICO	ELECTRICAL SYSTEM	SISTEMA ELÉCTRICO	SYSTEME ÉLECTRIQUE
<b>JOGO DE JUNTAS</b>				
00/82	JOGO DE JUNTAS CABEÇOTE	TOP OVERHAUL	JUEGO DE JUNTAS CULATA	JEU DE JOINTS CULASSE
00/84	JOGO DE JUNTAS BLOCO	BOTTOM OVERHAUL	JUEGO DE JUNTAS BLOQUE	JEU DE JOINTS DU BLOC

GRUPOS	UNIDADE BÁSICA Nº 324	BASIC UNIT Nº 324	UNIDAD BÁSICA Nº 324	UNITÉ DE BASE Nº 324
11/82	BLOCO DE CILINDROS	CYLINDER BLOCK	BLOQUE DE CILINDROS	BLOC-CYLINDRES
12/68	CAIXA DISTRIBUIÇÃO	TIMING CASE	CAJA DISTRIBUCIÓN	CARTER DISTRIBUTION
13/52	ÁRVORE DE MANIVELAS	CRANKSHAFT	CIGÜENAL	VILEBREQUIN
14/100	PISTÕES E BIELAS	PISTONS / CONNECT RODS	PISTONES Y BIELAS	PISTONS ET BIELLES
15/29	BOMBA ÓLEO LUBRIFICANTE	LUBRICATING OIL PUMP	BOMBA ACEITE LUBRIFICANTE	POMPE À HUILE LUBRIFIANTE
17/45	CABEÇOTE	CYLINDER HEAD	CULATA	CULASSE
18/38	VÁLVULAS/BALANCEIROS	VALVES / ROCKERSHAFT	VÁLVULAS / BALANCINES	SOUPAPES / LEVIERS
20/19	RETENTOR TRASEIRO DE ÓLEO	REAR OIL SEAL	SELLO TRASERO DE ACEITE	DÉFLECTEUR D'HUILE ARR.
21/29	ÁRVORE COMANDO VÁLVULAS	CAMSHAFT	ARBOL DE LEVAS	ARBRE À CAMES
22/15	ENGRENAGENS DISTRIBUIÇÃO	IDLER GEARS	ENGRENAJES DISTRIBUCIÓN	PIGNONS DISTRIBUTION
<b>COMPLEMENTOS</b>				
31/165	CARTER ÓLEO LUBRIFICANTE	LUBRICATING OIL SUMP	CARTER ACEITE LUBRIFICANTE	CARTER HUILE LUBRIFIANTE
32/109	POLIA ÁRVORE MANIVELAS	CRANKSHAFT PULLEY	POLEA DEL CIGÜENAL	POULIE DU VILEBREQUIN
33/131	FILTRO ÓLEO LUBRIF./RESFRIADOR	LUBR. OIL FILTER / COOLER	FILT. ACEITE / REFRIGERADOR	FILTRE HUILE / REFRROID
34/89	TAMPA DO CABEÇOTE	CYLINDER HEAD COVER	TAPA DE VÁLVULAS	CACHE-CULBUTEURS
35/117	VENTILADOR	FAN	VENTILADOR	VENTILATEUR
36/84	TAMPA TRASEIRA CABEÇOTE	CYLINDER HEAD REAR COVER	TAPA TRASERA DE LA CULATA	CACHE-CULBUTEURS ARRIERE
37/116	TERMOSTATO E CARÇAÇA	THERMOSTAT AND HOUSING	TERMOSTATO Y CÁRTER	THERMOSTAT ET CARTER
38/116	COLETOR DE ADMISSÃO	INDUCTION MANIFOLD	MÚLTIPLE DE ADMISIÓN	COLLECTEUR D'ADMISSION
39/219	BOMBA INJETORA COMBUSTÍVEL	FUEL INJECTION PUMP	BOMBA INYECTORA COMBUSTIBLE	POMPE D'INJEC. / COMBUST.
40/119	SISTEMA AUXILIAR PARTIDA	COLD WEATHER STARTING AID	SIST. AUXILIAR DE ARRANQUE	THERMOSTART
41/61	COLETOR DE ESCAPE	EXHAUST MANIFOLD	MÚLTIPLE DE ESCAPE	COLLECTEUR D'ÉCHAPPEMENT
42/224	BOMBA ALIMENTADORA E FILTRO ÓLEO COMBUSTÍVEL	FUEL LIFT PUMP AND FUEL OIL FILTER	BOMBA DE ALIMENTACIÓN Y FILTROS ACEITE COMBUSTIBLE	POMPE D'ALIMENTATION ET FILTRE À HUILE COMBUSTIBLE
43/63	TOMADA P/ MANÔMETRO ÓLEO	OIL PRESS GAUGE FITTING	TOMA P/ MANÓMETRO ACEITE	PRISE P/ MANOMETRE D'HUILE
44/118	TOMADA POTÊNCIA	POWER TAKE-OFF	TOMA DE POTENCIA	PRISE DE PUISSANCE
45/116	CARÇAÇA DO VOLANTE	FLYWHEEL HOUSING	CARTER DEL VOLANTE	CARTER DU VOLANT
46/62	MOTOR DE PARTIDA	STARTER MOTOR	MOTOR DE ARRANQUE	DÉMARREUR
47/	ACIONAMENTO DO TAQUÍMETRO	TACHOMETER DRIVE	MANDO DEL TAQUÍMETRO	COMMANDE DU COMPTE-TOURS
48/138	TUBO INJEÇÃO / INJETORES	FUEL INJECTION SYSTEM	EQUIPO DE INYECCIÓN	SYSTEME D'INJECTION
49/	CONEXÃO ENTRADA D'ÁGUA	WATER INLET CONNECTION	CONEXIÓN ENTRADA D'ÁGUA	RACCORD D'ENTRÉE D'EAU
50/	ALTERNADOR E CORREIA	ALTERNATOR AND BELT	ALTERNADOR Y CORREA	ALTERNATEUR ET COURROIE
52/328	ÍTENS DE INSTALAÇÃO	FITTING ITEMS	PIEZAS DE INSTALACIÓN	ARTICLES D'INSTALLATION
53/45	RESPIRO DO MOTOR	ENGINEER BREATHER	RESPIRADERO DEL MOTOR	RENIFLARD DU MOTEUR
54/	FILTRO DE AR	AIR CLEANER	FILTRO DE AIRE	FILTRE À AIR
55/	VOLANTE E CREMALHEIRA	FLYWHEEL AND STARTER RING	VOLANTE Y CORONA	VOLANT ET COURONNE
56/108	BOMBA D'ÁGUA	WATER PUMP	BOMBA DE ÁGUA	POMPE À EAU
58/44	TURBO ALIMENTADOR	TURBOCHARGER	AVEC COMPRESSEUR	TURBINA
<b>ACESSÓRIOS</b>				
71/	SUPORTE DO MOTOR	ENGINE SUPPORTS	SOPORTES DEL MOTOR	SUPPORTS DU MOTEUR
72/	SISTEMA DE ARREFECIMENTO	COOLING SYSTEM	SISTEMA DE ENFRIAMIENTO	SYSTEME REFRROIDISSEMENT
73/	CONTROLES	CONTROLS	CONTROLES	CONTRÔLES
74/300	SISTEMA DE ESCAPE	EXHAUST SYSTEM	SISTEMA DE ESCAPE	SYSTEME D'ÉCHAPPEMENT
75/141	SISTEMA DE COMBUSTÍVEL	FUEL SYSTEM	SISTEMA DE COMBUSTIBLE	SYSTEME D'COMBUSTIBLE
76/25	SISTEMA DE ADMISSÃO	INDUCTION SYSTEM	SISTEMA DE ADMISIÓN	SYSTEME D'ADMISSION
77/	PAINEL DE INSTRUMENTOS	INSTRUMENT PANEL	TABLERO DE INSTRUMENTOS	TABLEAU DE BORD
78/	SISTEMA ELÉTRICO	ELECTRICAL SYSTEM	SISTEMA ELÉCTRICO	SYSTEME ÉLECTRIQUE
<b>JOGO DE JUNTAS</b>				
00/82	JOGO DE JUNTAS CABEÇOTE	TOP OVERHAUL	JUEGO DE JUNTAS CULATA	JEU DE JOINTS CULASSE
00/84	JOGO DE JUNTAS BLOCO	BOTTOM OVERHAUL	JUEGO DE JUNTAS BLOQUE	JEU DE JOINTS DU BLOC

GRUPOS	UNIDADE BÁSICA Nº 305	BASIC UNIT Nº 305	UNIDAD BÁSICA Nº 305	UNITÉ DE BASE Nº 305
11/82	BLOCO DE CILINDROS	CYLINDER BLOCK	BLOQUE DE CILINDROS	BLOC-CYLINDRES
12/68	CAIXA DISTRIBUIÇÃO	TIMING CASE	CAJA DISTRIBUCIÓN	CARTER DISTRIBUTION
13/45	ÁRVORE DE MANIVELAS	CRANKSHAFT	CIGÜENAL	VILEBREQUIN
14/100	PISTÕES E BIELAS	PISTONS / CONNECT RODS	PISTONES Y BIELAS	PISTONS ET BIELLES
15/29	BOMBA ÓLEO LUBRIFICANTE	LUBRICATING OIL PUMP	BOMBA ACEITE LUBRICANTE	POMPE À HUILE LUBRIFIANTE
17/45	CABEÇOTE	CYLINDER HEAD	CULATA	CULASSE
18/38	VÁLVULAS/BALANCEIROS	VALVES / ROCKERSHAFT	VÁLVULAS / BALANCINES	SOUPAPES / LEVIERS
20/19	RETENTOR TRASEIRO DE ÓLEO	REAR OIL SEAL	SELLO TRASERO DE ACEITE	DÉFLECTEUR D'HUILE ARR.
21/29	ÁRVORE COMANDO VÁLVULAS	CAMSHAFT	ARBOL DE LEVAS	ARBRE À CAMES
22/15	ENGRENAGENS DISTRIBUIÇÃO	IDLER GEARS	ENGRENAJES DISTRIBUCIÓN	PIGNONS DISTRIBUTION
	<b>COMPLEMENTOS</b>	<b>COMPLEMENTS</b>	<b>COMPLEMENTOS</b>	<b>COMPLÉMENTS</b>
31/165	CARTER ÓLEO LUBRIFICANTE	LUBRICATING OIL SUMP	CARTER ACEITE LUBRICANTE	CARTER HUILE LUBRIFIANTE
32/109	POLIA ÁRVORE MANIVELAS	CRANKSHAFT PULLEY	POLEA DEL CIGÜENAL	POULIE DU VILEBREQUIN
33/131	FILTRO ÓLEO LUBRIF./RESFRIADOR	LUBR. OIL FILTER / COOLER	FILT. ACEITE / REFRIGERADOR	FILTRE HUILE / REFROID
34/89	TAMPA DO CABEÇOTE	CYLINDER HEAD COVER	TAPA DE VÁLVULAS	CACHE-CULBUTEURS
35/117	VENTILADOR	FAN	VENTILADOR	VENTILATEUR
36/84	TAMPA TRASEIRA CABEÇOTE	CYLINDER HEAD REAR COVER	TAPA TRASERA DE LA CULATA	CACHE-CULBUTEURS ARRIERE
37/116	TERMOSTATO E CARÇAÇA	THERMOSTAT AND HOUSING	TERMOSTATO Y CÁRTER	THERMOSTAT ET CARTER
38/109	COLETOR DE ADMISSÃO	INDUCTION MANIFOLD	MÚLTIPLE DE ADMISIÓN	COLLECTEUR D'ADMISSION
39/203	BOMBA INJETORA COMBUSTÍVEL	FUEL INJECTION PUMP	BOMBA INYECTORA COMBUSTIBLE	POMPE D'INJEC. / COMBUST.
40/114	SISTEMA AUXILIAR PARTIDA	COLD WEATHER STARTING AID	SIST. AUXILIAR DE ARRANQUE	THERMOSTART
41/61	COLETOR DE ESCAPE	EXHAUST MANIFOLD	MÚLTIPLE DE ESCAPE	COLLECTEUR D'ÉCHAPPEMENT
42/212	BOMBA ALIMENTADORA E FILTRO ÓLEO COMBUSTÍVEL	FUEL LIFT PUMP AND FUEL OIL FILTER	BOMBA DE ALIMENTACIÓN Y FILTROS ACEITE COMBUSTIBLE	POMPE D'ALIMENTATION ET FILTRE À HUILE COMBUSTIBLE
43/63	TOMADA P/ MANÔMETRO ÓLEO	OIL PRESS GAUGE FITTING	TOMA P/ MANÓMETRO ACEITE	PRISE P/ MANOMETRE D'HUILE
44/118	TOMADA POTÊNCIA	POWER TAKE-OFF	TOMA DE POTENCIA	PRISE DE PUISSANCE
45/116	CARÇAÇA DO VOLANTE	FLYWHEEL HOUSING	CARTER DEL VOLANTE	CARTER DU VOLANT
46/62	MOTOR DE PARTIDA	STARTER MOTOR	MOTOR DE ARRANQUE	DÉMARREUR
47/	ACIONAMENTO DO TAQUÍMETRO	TACHOMETER DRIVE	MANDO DEL TAQUÍMETRO	COMMANDE DU COMPTE-TOURS
48/125	TUBO INJEÇÃO / INJETORES	FUEL INJECTION SYSTEM	EQUIPO DE INYECCIÓN	SYSTEME D'INJECTION
49/	CONEXÃO ENTRADA D'ÁGUA	WATER INLET CONNECTION	CONEXIÓN ENTRADA D'ÁGUA	RACCORD D'ENTRÉE D'EAU
50/	ALTERNADOR E CORREIA	ALTERNATOR AND BELT	ALTERNADOR Y CORREA	ALTERNATEUR ET COURROIE
52/328	ÍTENS DE INSTALAÇÃO	FITTING ITEMS	PIEZAS DE INSTALACIÓN	ARTICLES D'INSTALLATION
53/45	RESPIRO DO MOTOR	ENGINE BREATHER	RESPIRADERO DEL MOTOR	RENIFLARD DU MOTEUR
54/	FILTRO DE AR	AIR CLEANER	FILTRO DE AIRE	FILTRE À AIR
55/	VOLANTE E CREMALHEIRA	FLYWHEEL AND STARTER RING	VOLANTE Y CORONA	VOLANT ET COURONNE
56/108	BOMBA D'ÁGUA	WATER PUMP	BOMBA DE ÁGUA	POMPE À EAU
58/32	TURBO ALIMENTADOR	TURBOCHARGER	AVEC COMPRESSEUR	TURBINA
	<b>ACESSÓRIOS</b>	<b>ACCESSORIES</b>	<b>ACESSORIOS</b>	<b>ACESSOIRES</b>
71/	SUPORTE DO MOTOR	ENGINE SUPPORTS	SOPORTES DEL MOTOR	SUPPORTS DU MOTEUR
72/	SISTEMA DE ARREFECIMENTO	COOLING SYSTEM	SISTEMA DE ENFRIAMIENTO	SYSTEME REFROIDISSEMENT
73/137	CONTROLES	CONTROLS	CONTRÔLES	CONTRÔLES
74/91	SISTEMA DE ESCAPE	EXHAUST SYSTEM	SISTEMA DE ESCAPE	SYSTEME D'ÉCHAPPEMENT
75/141	SISTEMA DE COMBUSTÍVEL	FUEL SYSTEM	SISTEMA DE COMBUSTIBLE	SYSTEME D'COMBUSTIBLE
76/25	SISTEMA DE ADMISSÃO	INDUCTION SYSTEM	SISTEMA DE ADMISIÓN	SYSTEME D'ADMISSION
77/	PAINEL DE INSTRUMENTOS	INSTRUMENT PANEL	TABLERO DE INSTRUMENTOS	TABLEAU DE BORD
78/	SISTEMA ELÉTRICO	ELECTRICAL SYSTEM	SISTEMA ELÉCTRICO	SYSTEME ÉLECTRIQUE
	<b>JOGO DE JUNTAS</b>	<b>JOINT SETS</b>	<b>JUEGOS DE JUNTAS</b>	<b>JEUX DE JOINTS</b>
00/82	JOGO DE JUNTAS CABEÇOTE	TOP OVERHAUL	JUEGO DE JUNTAS CULATA	JEU DE JOINTS CULASSE
00/84	JOGO DE JUNTAS BLOCO	BOTTOM OVERHAUL	JUEGO DE JUNTAS BLOQUE	JEU DE JOINTS DU BLOC

GRUPOS	UNIDADE BÁSICA Nº 304	BASIC UNIT Nº 304	UNIDAD BÁSICA Nº 304	UNITÉ DE BASE Nº 304
11/81	BLOCO DE CILINDROS	CYLINDER BLOCK	BLOQUE DE CILINDROS	BLOC-CYLINDRES
12/70	CAIXA DISTRIBUIÇÃO	TIMING CASE	CAJA DISTRIBUCIÓN	CARTER DISTRIBUTION
13/44	ÁRVORE DE MANIVELAS	CRANKSHAFT	CIGÜENAL	VILEBREQUIN
14/99	PISTÕES E BIELAS	PISTONS / CONNECT RODS	PISTONES Y BIELAS	PISTONS ET BIELLES
15/28	BOMBA ÓLEO LUBRIFICANTE	LUBRICATING OIL PUMP	BOMBA ACEITE LUBRIFICANTE	POMPE À HUILE LUBRIFIANTE
17/44	CABEÇOTE	CYLINDER HEAD	CULATA	CULASSE
18/37	VÁLVULAS/BALANCEIROS	VALVES / ROCKERSHAFT	VÁLVULAS / BALANCINES	SOUPAPES / LEVIERS
20/19	RETENTOR TRASEIRO DE ÓLEO	REAR OIL SEAL	SELLO TRASERO DE ACEITE	DÉFLECTEUR D'HUILE ARR.
21/32	ÁRVORE COMANDO VÁLVULAS	CAMSHAFT	ARBOL DE LEVAS	ARBRE À CAMES
22/15	ENGRENAGENS DISTRIBUIÇÃO	IDLER GEARS	ENGRENAJES DISTRIBUCIÓN	PIGNONS DISTRIBUTION
<b>COMPLEMENTOS</b>				
31/165	CARTER ÓLEO LUBRIFICANTE	LUBRICATING OIL SUMP	CARTER ACEITE LUBRIFICANTE	CARTER HUILE LUBRIFIANTE
32/108	POLIA ÁRVORE MANIVELAS	CRANKSHAFT PULLEY	POLEA DEL CIGÜENAL	POULIE DU VILEBREQUIN
33/130	FILTRO ÓLEO LUBRIF./RESFRIADOR	LUBR. OIL FILTER / COOLER	FILT. ACEITE / REFRIGERADOR	FILTRE HUILE / REFROID
34/88	TAMPA DO CABEÇOTE	CYLINDER HEAD COVER	TAPA DE VÁLVULAS	CACHE-CULBUTEURS
35/121	VENTILADOR	FAN	VENTILADOR	VENTILATEUR
36/84	TAMPA TRASEIRA CABEÇOTE	CYLINDER HEAD REAR COVER	TAPA TRASERA DE LA CULATA	CACHE-CULBUTEURS ARRIERE
37/116	TERMOSTATO E CARÇAÇA	THERMOSTAT AND HOUSING	TERMOSTATO Y CÁRTER	THERMOSTAT ET CARTER
38/109	COLETOR DE ADMISSÃO	INDUCTION MANIFOLD	MÚLTIPLE DE ADMISIÓN	COLLECTEUR D'ADMISSION
39/202	BOMBA INJETORA COMBUSTÍVEL	FUEL INJECTION PUMP	BOMBA INYECTORA COMBUSTIBLE	POMPE D'INJEC. / COMBUST.
40/114	SISTEMA AUXILIAR PARTIDA	COLD WEATHER STARTING AID	SIST. AUXILIAR DE ARRANQUE	THERMOSTART
41/60	COLETOR DE ESCAPE	EXHAUST MANIFOLD	MÚLTIPLE DE ESCAPE	COLLECTEUR D'ÉCHAPPEMENT
42/220	BOMBA ALIMENTADORA E FILTRO ÓLEO COMBUSTÍVEL	FUEL LIFT PUMP AND FUEL OIL FILTER	BOMBA DE ALIMENTACIÓN Y FILTROS ACEITE COMBUSTIBLE	POMPE D'ALIMENTATION ET FILTRE À HUILE COMBUSTIBLE
43/63	TOMADA P/MANÔMETRO ÓLEO	OIL PRESS GAUGE FITTING	TOMA P/MANÓMETRO ACEITE	PRISE P/MANOMETRE D'HUILE
44/118	TOMADA POTÊNCIA	POWER TAKE-OFF	TOMA DE POTENCIA	PRISE DE PUISSANCE
45/116	CARÇAÇA DO VOLANTE	FLYWHEEL HOUSING	CARTER DEL VOLANTE	CARTER DU VOLANT
46/62	MOTOR DE PARTIDA	STARTER MOTOR	MOTOR DE ARRANQUE	DÉMARREUR
47/	ACIONAMENTO DO TAQUÍMETRO	TACHOMETER DRIVE	MANDO DEL TAQUÍMETRO	COMMANDE DU COMPTE-TOURS
48/124	TUBO INJEÇÃO / INJETORES	FUEL INJECTION SYSTEM	EQUIPO DE INYECCIÓN	SYSTEME D'INJECTION
49/	CONEXÃO ENTRADA D'ÁGUA	WATER INLET CONNECTION	CONEXIÓN ENTRADA D'ÁGUA	RACCORD D'ENTRÉE D'EAU
50/	ALTERNADOR E CORREIA	ALTERNATOR AND BELT	ALTERNADOR Y CORREA	ALTERNATEUR ET COURROIE
52/327	ÍTENS DE INSTALAÇÃO	FITTING ITEMS	PIEZAS DE INSTALACIÓN	ARTICLES D'INSTALLATION
53/45	RESPIRO DO MOTOR	ENGINEER BREATHER	RESPIRADERO DEL MOTOR	RENIFLARD DU MOTEUR
54/	FILTRO DE AR	AIR CLEANER	FILTRO DE AIRE	FILTRE À AIR
55/	VOLANTE E CREMALHEIRA	FLYWHEEL AND STARTER RING	VOLANTE Y CORONA	VOLANT ET COURONNE
56/108	BOMBA D'ÁGUA	WATER PUMP	BOMBA DE ÁGUA	POMPE À EAU
58/	TURBO ALIMENTADOR	TURBOCHARGER	AVEC COMPRESSEUR	TURBINA
<b>ACESSÓRIOS</b>				
71/	SUORTE DO MOTOR	ENGINE SUPPORTS	SOPORTES DEL MOTOR	SUPPORTS DU MOTEUR
72/	SISTEMA DE ARREFECIMENTO	COOLING SYSTEM	SISTEMA DE ENFRIAMIENTO	SYSTEME REFROIDISSEMENT
73/137	CONTROLES	CONTROLS	CONTROLES	CONTRÔLES
74/90	SISTEMA DE ESCAPE	EXHAUST SYSTEM	SISTEMA DE ESCAPE	SYSTEME D'ÉCHAPPEMENT
75/141	SISTEMA DE COMBUSTÍVEL	FUEL SYSTEM	SISTEMA DE COMBUSTIBLE	SYSTEME D'COMBUSTIBLE
76/28	SISTEMA DE ADMISSÃO	INDUCTION SYSTEM	SISTEMA DE ADMISIÓN	SYSTEME D'ADMISSION
77/	PAINEL DE INSTRUMENTOS	INSTRUMENT PANEL	TABLERO DE INSTRUMENTOS	TABLEAU DE BORD
78/	SISTEMA ELÉTRICO	ELECTRICAL SYSTEM	SISTEMA ELÉCTRICO	SYSTEME ÉLECTRIQUE
<b>JOGO DE JUNTAS</b>				
00/83	JOGO DE JUNTAS CABEÇOTE	TOP OVERHAUL	JUEGO DE JUNTAS CULATA	JEU DE JOINTS CULASSE
00/85	JOGO DE JUNTAS BLOCO	BOTTOM OVERHAUL	JUEGO DE JUNTAS BLOQUE	JEU DE JOINTS DU BLOC

GRUPOS	UNIDADE BÁSICA Nº 358	BASIC UNIT Nº 358	UNIDAD BÁSICA Nº 358	UNITÉ DE BASE Nº 358
11/104	BLOCO DE CILINDROS	CYLINDER BLOCK	BLOQUE DE CILINDROS	BLOC-CYLINDRES
12/89	CAIXA DISTRIBUIÇÃO	TIMING CASE	CAJA DISTRIBUCIÓN	CARTER DISTRIBUTION
13/64	ÁRVORE DE MANIVELAS	CRANKSHAFT	CIGUENAL	VILEBREQUIN
14/40	PISTÕES E BIELAS	PISTONS / CONNECT RODS	PISTONES Y BIELAS	PISTONS ET BIELLES
15/36	BOMBA ÓLEO LUBRIFICANTE	LUBRICATING OIL PUMP	BOMBA ACEITE LUBRICANTE	POMPE À HUILE LUBRIFIANTE
17/68	CABEÇOTE	CYLINDER HEAD	CULATA	CULASSE
18/53	VÁLVULAS/BALANCEIROS	VALVES / ROCKERSHAFT	VÁLVULAS / BALANCINES	SOUPAPES / LEVIERS
20/24	RETENTOR TRASEIRO DE ÓLEO	REAR OIL SEAL	SELLO TRASERO DE ACEITE	DÉFLECTEUR D'HUILE ARR.
21/38	ÁRVORE COMANDO VÁLVULAS	CAMSHAFT	ARBOL DE LEVAS	ARBRE À CAMES
22/21	ENGRENAGENS DISTRIBUIÇÃO	IDLER GEARS	ENGRENAJES DISTRIBUCIÓN	PIGNONS DISTRIBUTION
	<b>COMPLEMENTOS</b>	<b>COMPLEMENTS</b>	<b>COMPLEMENTOS</b>	<b>COMPLÉMENTS</b>
31/188	CARTER ÓLEO LUBRIFICANTE	LUBRICATING OIL SUMP	CARTER ACEITE LUBRICANTE	CARTER HUILE LUBRIFIANTE
32/122	POLIA ÁRVORE MANIVELAS	CRANKSHAFT PULLEY	POLEA DEL CIGÜENAL	POULIE DU VILEBREQUIN
33/154	FILTRO ÓLEO LUBRIF./RESFRIADOR	LUBR. OIL FILTER / COOLER	FILT. ACEITE / REFRIGERADOR	FILTRE HUILE / REFROID
34/120	TAMPA DO CABEÇOTE	CYLINDER HEAD COVER	TAPA DE VÁLVULAS	CACHE-CULBUTEURS
35/135	VENTILADOR	FAN	VENTILADOR	VENTILATEUR
36/106	TAMPA TRASEIRA CABEÇOTE	CYLINDER HEAD REAR COVER	TAPA TRASERA DE LA CULATA	CACHE-CULBUTEURS ARRIERE
37/143	TERMOSTATO E CARÇAÇA	THERMOSTAT AND HOUSING	TERMOSTATO Y CÁRTER	THERMOSTAT ET CARTER
38/150	COLETOR DE ADMISSÃO	INDUCTION MANIFOLD	MÚLTIPLE DE ADMISIÓN	COLLECTEUR D'ADMISSION
39/268	BOMBA INJETORA COMBUSTÍVEL	FUEL INJECTION PUMP	BOMBA INYECTORA COMBUSTIBLE	POMPE D'INJEC. / COMBUST.
40/125	SISTEMA AUXILIAR PARTIDA	COLD WEATHER STARTING AID	SIST. AUXILIAR DE ARRANQUE	THERMOSTART
41/79	COLETOR DE ESCAPE	EXHAUST MANIFOLD	MÚLTIPLE DE ESCAPE	COLLECTEUR D'ÉCHAPPEMENT
42/245	BOMBA ALIMENTADORA E FILTRO ÓLEO COMBUSTÍVEL	FUEL LIFT PUMP AND FUEL OIL FILTER	BOMBA DE ALIMENTACIÓN Y FILTROS ACEITE COMBUSTIBLE	POMPE D'ALIMENTATION ET FILTRE À HUILE COMBUSTIBLE
43/75	TOMADA P/ MANÔMETRO ÓLEO	OIL PRESS GAUGE FITTING	TOMA P/ MANÓMETRO ACEITE	PRISE P/ MANOMETRE D'HUILE
44/133	TOMADA POTÊNCIA	POWER TAKE-OFF	TOMA DE POTENCIA	PRISE DE PUISSANCE
45/132	CARÇAÇA DO VOLANTE	FLYWHEEL HOUSING	CARTER DEL VOLANTE	CARTER DU VOLANT
46/75	MOTOR DE PARTIDA	STARTER MOTOR	MOTOR DE ARRANQUE	DÉMARREUR
47/	ACIONAMENTO DO TAQUÍMETRO	TACHOMETER DRIVE	MANDO DEL TAQUÍMETRO	COMMANDE DU COMPTE-TOURS
48/171	TUBO INJEÇÃO / INJETORES	FUEL INJECTION SYSTEM	EQUIPO DE INYECCIÓN	SYSTEME D'INJECTION
49/	CONEXÃO ENTRADA D'ÁGUA	WATER INLET CONNECTION	CONEXIÓN ENTRADA D'ÁGUA	RACCORD D'ENTRÉE D'EAU
50/	ALTERNADOR E CORREIA	ALTERNATOR AND BELT	ALTERNADOR Y CORREA	ALTERNATEUR ET COURROIE
52/379	ÍTENS DE INSTALAÇÃO	FITTING ITEMS	PIEZAS DE INSTALACIÓN	ARTICLES D'INSTALLATION
53/63	RESPIRO DO MOTOR	ENGINEER BREATHER	RESPIRADERO DEL MOTOR	RENIFLARD DU MOTEUR
54/	FILTRO DE AR	AIR CLEANER	FILTRO DE AIRE	FILTRE À AIR
55/	VOLANTE E CREMALHEIRA	FLYWHEEL AND STARTER RING	VOLANTE Y CORONA	VOLANT ET COURONNE
56/137	BOMBA D'ÁGUA	WATER PUMP	BOMBA DE ÁGUA	POMPE À EAU
58/	TURBO ALIMENTADOR	TURBOCHARGER	AVEC COMPRESSEUR	TURBINA
	<b>ACESSÓRIOS</b>	<b>ACCESSORIES</b>	<b>ACESSORIOS</b>	<b>ACESSOIRES</b>
71/	SUPORTE DO MOTOR	ENGINE SUPPORTS	SÓPORTES DEL MOTOR	SUPPORTS DU MOTEUR
72/	SISTEMA DE ARREFECIMENTO	COOLING SYSTEM	SISTEMA DE ENFRIAMIENTO	SYSTEME REFROIDISSEMENT
73/164	CONTROLES	CONTROLS	CONTRÔLES	CONTRÔLES
74/309	SISTEMA DE ESCAPE	EXHAUST SYSTEM	SISTEMA DE ESCAPE	SYSTEME D'ÉCHAPPEMENT
75/	SISTEMA DE COMBUSTÍVEL	FUEL SYSTEM	SISTEMA DE COMBUSTIBLE	SYSTEME D'COMBUSTIBLE
76/30	SISTEMA DE ADMISSÃO	INDUCTION SYSTEM	SISTEMA DE ADMISIÓN	SYSTEME D'ADMISSION
77/	PAINEL DE INSTRUMENTOS	INSTRUMENT PANEL	TABLERO DE INSTRUMENTOS	TABLEAU DE BORD
78/	SISTEMA ELÉTRICO	ELECTRICAL SYSTEM	SISTEMA ELÉCTRICO	SYSTEME ÉLECTRIQUE
	<b>JOGO DE JUNTAS</b>	<b>JOINT SETS</b>	<b>JUEGOS DE JUNTAS</b>	<b>JEUX DE JOINTS</b>
00/83	JOGO DE JUNTAS CABEÇOTE	TOP OVERHAUL	JUEGO DE JUNTAS CULATA	JEU DE JOINTS CULASSE
00/85	JOGO DE JUNTAS BLOCO	BOTTOM OVERHAUL	JUEGO DE JUNTAS BLOQUE	JEU DE JOINTS DU BLOC

GRUPOS	UNIDADE BÁSICA Nº 359	BASIC UNIT Nº 359	UNIDAD BÁSICA Nº 359	UNITÉ DE BASE Nº 359
11/104	BLOCO DE CILINDROS	CYLINDER BLOCK	BLOQUE DE CILINDROS	BLOC-CYLINDRES
12/90	CAIXA DISTRIBUIÇÃO	TIMING CASE	CAJA DISTRIBUCIÓN	CARTER DISTRIBUTION
13/64	ÁRVORE DE MANIVELAS	CRANKSHAFT	CIGUENAL	VILEBREQUIN
14/40	PISTÕES E BIELAS	PISTONS / CONNECT RODS	PISTONES Y BIELAS	PISTONS ET BIELLES
15/36	BOMBA ÓLEO LUBRIFICANTE	LUBRICATING OIL PUMP	BOMBA ACEITE LUBRICANTE	POMPE À HUILE LUBRIFIANTE
17/68	CABEÇOTE	CYLINDER HEAD	CULATA	CULASSE
18/53	VÁLVULAS/BALANCEIROS	VALVES / ROCKERSHAFT	VÁLVULAS / BALANCINES	SOUPAPES / LEVIERS
20/24	RETENTOR TRASEIRO DE ÓLEO	REAR OIL SEAL	SELLO TRASERO DE ACEITE	DÉFLECTEUR D'HUILE ARR.
21/37	ÁRVORE COMANDO VÁLVULAS	CAMSHAFT	ARBOL DE LEVAS	ARBRE À CAMES
22/21	ENGRENAGENS DISTRIBUIÇÃO	IDLER GEARS	ENGRENAJES DISTRIBUCIÓN	PIGNONS DISTRIBUTION
<b>COMPLEMENTOS</b>				
31/187	CARTER ÓLEO LUBRIFICANTE	LUBRICATING OIL SUMP	CARTER ACEITE LUBRICANTE	CARTER HUILE LUBRIFIANTE
32/122	POLIA ÁRVORE MANIVELAS	CRANKSHAFT PULLEY	POLEA DEL CIGÜENAL	POULIE DU VILEBREQUIN
33/155	FILTRO ÓLEO LUBRIF./RESFRIADOR	LUBR. OIL FILTER / COOLER	FILT. ACEITE / REFRIGERADOR	FILTRE HUILE / REFROID
34/120	TAMPA DO CABEÇOTE	CYLINDER HEAD COVER	TAPA DE VÁLVULAS	CACHE-CULBUTEURS
35/136	VENTILADOR	FAN	VENTILADOR	VENTILATEUR
36/107	TAMPA TRASEIRA CABEÇOTE	CYLINDER HEAD REAR COVER	TAPA TRASERA DE LA CULATA	CACHE-CULBUTEURS ARRIERE
37/142	TERMOSTATO E CARÇAÇA	THERMOSTAT AND HOUSING	TERMOSTATO Y CÁRTER	THERMOSTAT ET CARTER
38/150	COLETOR DE ADMISSÃO	INDUCTION MANIFOLD	MÚLTIPLE DE ADMISIÓN	COLLECTEUR D'ADMISSION
39/268	BOMBA INJETORA COMBUSTÍVEL	FUEL INJECTION PUMP	BOMBA INYECTORA COMBUSTIBLE	POMPE D'INJEC. / COMBUST.
40/126	SISTEMA AUXILIAR PARTIDA	COLD WEATHER STARTING AID	SIST. AUXILIAR DE ARRANQUE	THERMOSTART
41/79	COLETOR DE ESCAPE	EXHAUST MANIFOLD	MÚLTIPLE DE ESCAPE	COLLECTEUR D'ÉCHAPPEMENT
42/246	BOMBA ALIMENTADORA E FILTRO ÓLEO COMBUSTÍVEL	FUEL LIFT PUMP AND FUEL OIL FILTER	BOMBA DE ALIMENTACIÓN Y FILTROS ACEITE COMBUSTIBLE	POMPE D'ALIMENTATION ET FILTRE À HUILE COMBUSTIBLE
43/75	TOMADA P/ MANÔMETRO ÓLEO	OIL PRESS GAUGE FITTING	TOMA P/ MANÓMETRO ACEITE	PRISE P/ MANOMETRE D'HUILE
44/133	TOMADA POTÊNCIA	POWER TAKE-OFF	TOMA DE POTENCIA	PRISE DE PUISSANCE
45/116	CARÇAÇA DO VOLANTE	FLYWHEEL HOUSING	CARTER DEL VOLANTE	CARTER DU VOLANT
46/74	MOTOR DE PARTIDA	STARTER MOTOR	MOTOR DE ARRANQUE	DÉMARREUR
47/	ACIONAMENTO DO TAQUÍMETRO	TACHOMETER DRIVE	MANDO DEL TAQUÍMETRO	COMMANDE DU COMPTE-TOURS
48/171	TUBO INJEÇÃO / INJETORES	FUEL INJECTION SYSTEM	EQUIPO DE INYECCIÓN	SYSTEME D'INJECTION
49/	CONEXÃO ENTRADA D'ÁGUA	WATER INLET CONNECTION	CONEXIÓN ENTRADA D'ÁGUA	RACCORD D'ENTRÉE D'EAU
50/	ALTERNADOR E CORREIA	ALTERNATOR AND BELT	ALTERNADOR Y CORREA	ALTERNATEUR ET COURROIE
52/383	ÍTEMS DE INSTALAÇÃO	FITTING ITEMS	PIEZAS DE INSTALACIÓN	ARTICLES D'INSTALLATION
53/62	RESPIRO DO MOTOR	ENGINE BREATHER	RESPIRADERO DEL MOTOR	RENIFLARD DU MOTEUR
54/	FILTRO DE AR	AIR CLEANER	FILTRO DE AIRE	FILTRE À AIR
55/	VOLANTE E CREMALHEIRA	FLYWHEEL AND STARTER RING	VOLANTE Y CORONA	VOLANT ET COURONNE
56/137	BOMBA D'ÁGUA	WATER PUMP	BOMBA DE ÁGUA	POMPE À EAU
58/	TURBO ALIMENTADOR	TURBOCHARGER	AVEC COMPRESSEUR	TURBINA
<b>ACESSÓRIOS</b>				
71/	SUPORTE DO MOTOR	ENGINE SUPPORTS	SOPORTES DEL MOTOR	SUPPORTS DU MOTEUR
72/	SISTEMA DE ARREFECIMENTO	COOLING SYSTEM	SISTEMA DE ENFRIAMIENTO	SYSTEME REFROIDISSEMENT
73/165	CONTROLES	CONTROLS	CONTROLES	CONTRÔLES
74/310	SISTEMA DE ESCAPE	EXHAUST SYSTEM	SISTEMA DE ESCAPE	SYSTEME D'ÉCHAPPEMENT
75/	SISTEMA DE COMBUSTÍVEL	FUEL SYSTEM	SISTEMA DE COMBUSTIBLE	SYSTEME D'COMBUSTIBLE
76/30	SISTEMA DE ADMISSÃO	INDUCTION SYSTEM	SISTEMA DE ADMISIÓN	SYSTEME D'ADMISSION
77/	PAINEL DE INSTRUMENTOS	INSTRUMENT PANEL	TABLERO DE INSTRUMENTOS	TABLEAU DE BORD
78/	SISTEMA ELÉTRICO	ELECTRICAL SYSTEM	SISTEMA ELÉCTRICO	SYSTEME ÉLECTRIQUE
<b>JOGO DE JUNTAS</b>				
00/83	JOGO DE JUNTAS CABEÇOTE	TOP OVERHAUL	JUEGO DE JUNTAS CULATA	JEU DE JOINTS CULASSE
00/85	JOGO DE JUNTAS BLOCO	BOTTOM OVERHAUL	JUEGO DE JUNTAS BLOQUE	JEU DE JOINTS DU BLOC



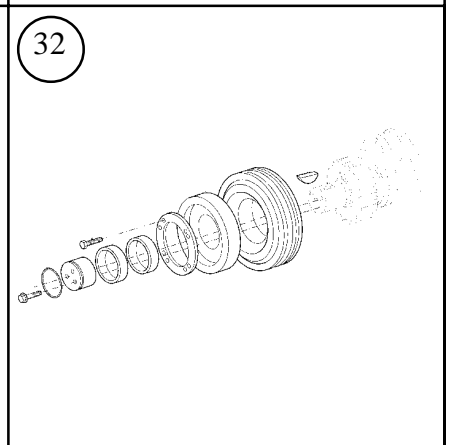
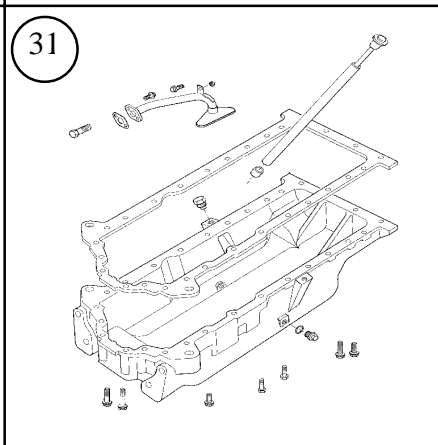
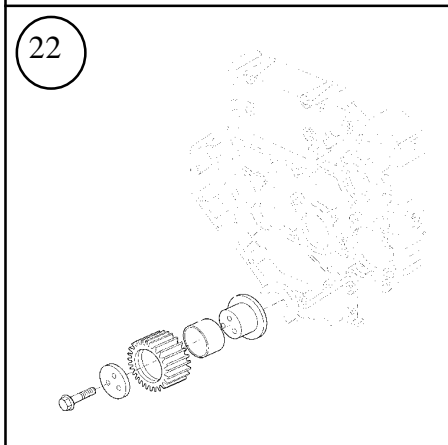
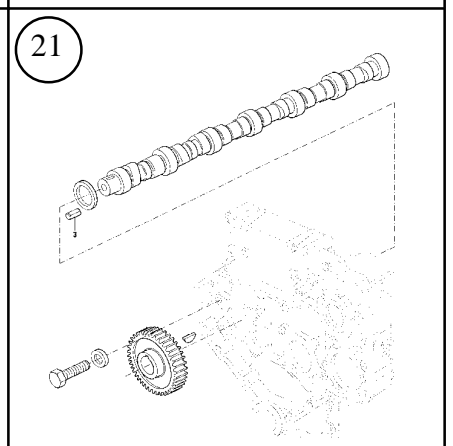
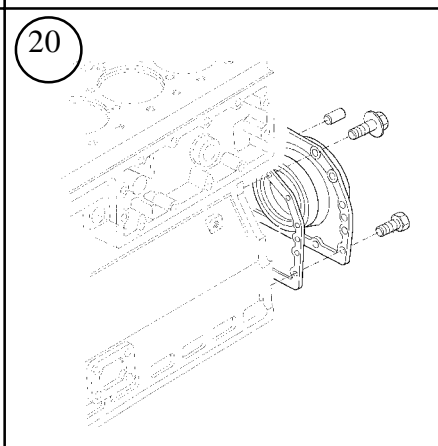
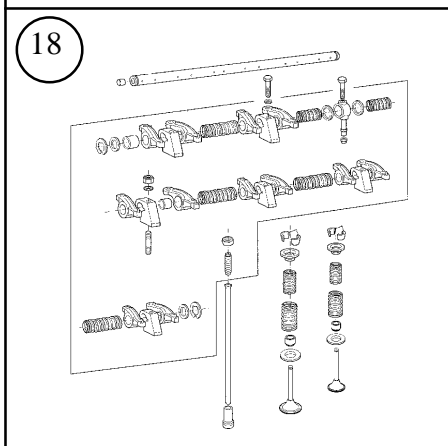
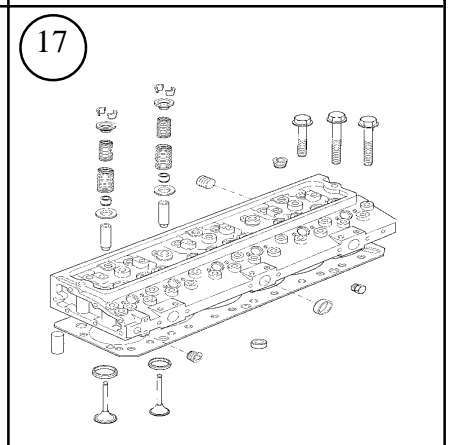
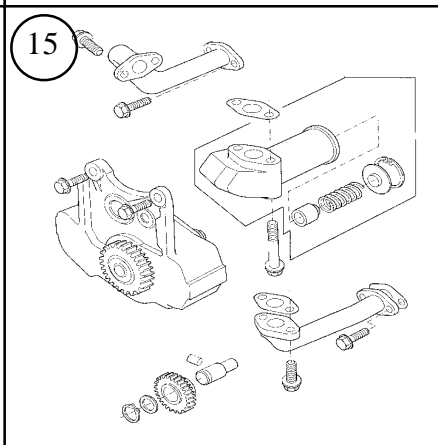
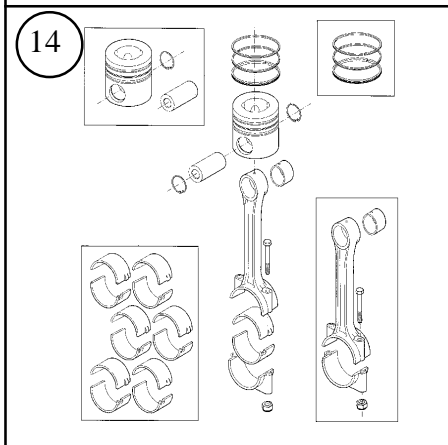
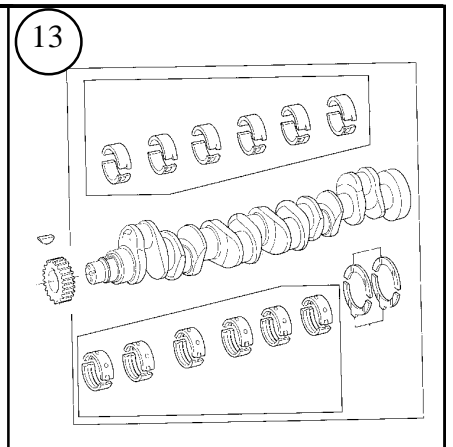
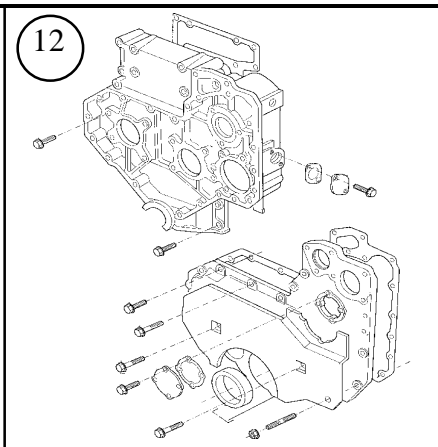
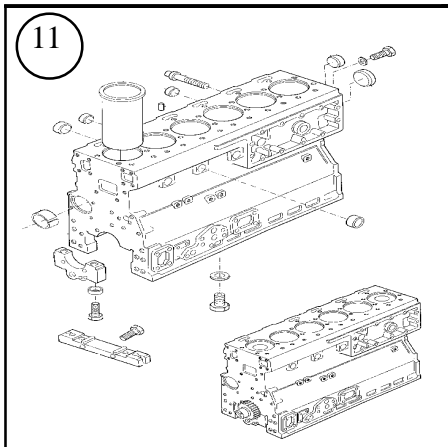
GRUPOS	UNIDADE BÁSICA Nº 357	BASIC UNIT Nº 357	UNIDAD BÁSICA Nº 357	UNITÉ DE BASE Nº 357
11/103	BLOCO DE CILINDROS	CYLINDER BLOCK	BLOQUE DE CILINDROS	BLOC-CYLINDRES
12/88	CAIXA DISTRIBUIÇÃO	TIMING CASE	CAJA DISTRIBUCIÓN	CARTER DISTRIBUTION
13/62	ÁRVORE DE MANIVELAS	CRANKSHAFT	CIGÜENAL	VILEBREQUIN
14/39	PISTÕES E BIELAS	PISTONS / CONNECT RODS	PISTONES Y BIELAS	PISTONS ET BIELLES
15/35	BOMBA ÓLEO LUBRIFICANTE	LUBRICATING OIL PUMP	BOMBA ACEITE LUBRICANTE	POMPE À HUILE LUBRIFIANTE
17/67	CABEÇOTE	CYLINDER HEAD	CULATA	CULASSE
18/52	VÁLVULAS/BALANCEIROS	VALVES / ROCKERSHAFT	VÁLVULAS / BALANCINES	SOUPAPES / LEVIERS
20/23	RETENTOR TRASEIRO DE ÓLEO	REAR OIL SEAL	SELLO TRASERO DE ACEITE	DÉFLECTEUR D'HUILE ARR.
21/36	ÁRVORE COMANDO VÁLVULAS	CAMSHAFT	ARBOL DE LEVAS	ARBRE À CAMES
22/21	ENGRENAGENS DISTRIBUIÇÃO	IDLER GEARS	ENGRENAJES DISTRIBUCIÓN	PIGNONS DISTRIBUTION
	<b>COMPLEMENTOS</b>	<b>COMPLEMENTS</b>	<b>COMPLEMENTOS</b>	<b>COMPLÉMENTS</b>
31/189	CARTER ÓLEO LUBRIFICANTE	LUBRICATING OIL SUMP	CARTER ACEITE LUBRICANTE	CARTER HUILE LUBRIFIANTE
32/121	POLIA ÁRVORE MANIVELAS	CRANKSHAFT PULLEY	POLEA DEL CIGÜENAL	POULIE DU VILEBREQUIN
33/153	FILTRO ÓLEO LUBRIF./RESFRIADOR	LUBR. OIL FILTER / COOLER	FILT. ACEITE / REFRIGERADOR	FILTRE HUILE / REFROID
34/119	TAMPA DO CABEÇOTE	CYLINDER HEAD COVER	TAPA DE VÁLVULAS	CACHE-CULBUTEURS
35/134	VENTILADOR	FAN	VENTILADOR	VENTILATEUR
36/104	TAMPA TRASEIRA CABEÇOTE	CYLINDER HEAD REAR COVER	TAPA TRASERA DE LA CULATA	CACHE-CULBUTEURS ARRIERE
37/142	TERMOSTATO E CARÇAÇA	THERMOSTAT AND HOUSING	TERMOSTATO Y CÁRTER	THERMOSTAT ET CARTER
38/142	COLETOR DE ADMISSÃO	INDUCTION MANIFOLD	MÚLTIPLE DE ADMISIÓN	COLLECTEUR D'ADMISSION
39/276	BOMBA INJETORA COMBUSTÍVEL	FUEL INJECTION PUMP	BOMBA INYECTORA COMBUSTIBLE	POMPE D'INJEC. / COMBUST.
40/	SISTEMA AUXILIAR PARTIDA	COLD WEATHER STARTING AID	SIST. AUXILIAR DE ARRANQUE	THERMOSTART
41/61	COLETOR DE ESCAPE	EXHAUST MANIFOLD	MÚLTIPLE DE ESCAPE	COLLECTEUR D'ÉCHAPPEMENT
42/248	BOMBA ALIMENTADORA E FILTRO ÓLEO COMBUSTÍVEL	FUEL LIFT PUMP AND FUEL OIL FILTER	BOMBA DE ALIMENTACIÓN Y FILTROS ACEITE COMBUSTIBLE	POMPE D'ALIMENTATION ET FILTRE À HUILE COMBUSTIBLE
43/63	TOMADA P/ MANÔMETRO ÓLEO	OIL PRESS GAUGE FITTING	TOMA P/ MANÓMETRO ACEITE	PRISE P/ MANOMETRE D'HUILE
44/133	TOMADA POTÊNCIA	POWER TAKE-OFF	TOMA DE POTENCIA	PRISE DE PUISSANCE
45/116	CARÇAÇA DO VOLANTE	FLYWHEEL HOUSING	CARTER DEL VOLANTE	CARTER DU VOLANT
46/74	MOTOR DE PARTIDA	STARTER MOTOR	MOTOR DE ARRANQUE	DÉMARREUR
47/	ACIONAMENTO DO TAQUÍMETRO	TACHOMETER DRIVE	MANDO DEL TAQUÍMETRO	COMMANDE DU COMPTE-TOURS
48/168	TUBO INJEÇÃO / INJETORES	FUEL INJECTION SYSTEM	EQUIPO DE INYECCIÓN	SYSTEME D'INJECTION
49/	CONEXÃO ENTRADA D'ÁGUA	WATER INLET CONNECTION	CONEXIÓN ENTRADA D'ÁGUA	RACCORD D'ENTRÉE D'EAU
50/	ALTERNADOR E CORREIA	ALTERNATOR AND BELT	ALTERNADOR Y CORREA	ALTERNATEUR ET COURROIE
52/382	ÍTENS DE INSTALAÇÃO	FITTING ITEMS	PIEZAS DE INSTALACIÓN	ARTICLES D'INSTALLATION
53/62	RESPIRO DO MOTOR	ENGINE BREATHER	RESPIRADERO DEL MOTOR	ENTRÉE D'AIR DU MOTEUR
54/	FILTRO DE AR	AIR CLEANER	FILTRO DE AIRE	FILTRE À AIR
55/	VOLANTE E CREMALHEIRA	FLYWHEEL AND STARTER RING	VOLANTE Y CORONA	VOLANT ET COURONNE
56/136	BOMBA D'ÁGUA	WATER PUMP	BOMBA DE ÁGUA	POMPE À EAU
58/82	TURBO ALIMENTADOR	TURBOCHARGER	AVEC COMPRESSEUR	TURBINA
	<b>ACESSÓRIOS</b>	<b>ACCESSORIES</b>	<b>ACESSORIOS</b>	<b>ACESSOIRES</b>
71/	SUPORTE DO MOTOR	ENGINE SUPPORTS	SOPORTES DEL MOTOR	SUPPORTS DU MOTEUR
72/	SISTEMA DE ARREFECIMENTO	COOLING SYSTEM	SISTEMA DE ENFRIAMIENTO	SYSTEME REFROIDISSEMENT
73/163	CONTROLES	CONTROLS	CONTROLES	CONTRÔLES
74/	SISTEMA DE ESCAPE	EXHAUST SYSTEM	SISTEMA DE ESCAPE	SYSTEME D'ÉCHAPPEMENT
75/	SISTEMA DE COMBUSTÍVEL	FUEL SYSTEM	SISTEMA DE COMBUSTIBLE	SYSTEME D'COMBUSTIBLE
76/29	SISTEMA DE ADMISSÃO	INDUCTION SYSTEM	SISTEMA DE ADMISIÓN	SYSTEME D'ADMISSION
77/	PAINEL DE INSTRUMENTOS	INSTRUMENT PANEL	TABLERO DE INSTRUMENTOS	TABLEAU DE BORD
78/	SISTEMA ELÉTRICO	ELECTRICAL SYSTEM	SISTEMA ELÉCTRICO	SYSTEME ÉLECTRIQUE
	<b>JOGO DE JUNTAS</b>	<b>JOINT SETS</b>	<b>JUEGOS DE JUNTAS</b>	<b>JEUX DE JOINTS</b>
00/82	JOGO DE JUNTAS CABEÇOTE	TOP OVERHAUL	JUEGO DE JUNTAS CULATA	JEU DE JOINTS CULASSE
00/84	JOGO DE JUNTAS BLOCO	BOTTOM OVERHAUL	JUEGO DE JUNTAS BLOQUE	JEU DE JOINTS DU BLOC

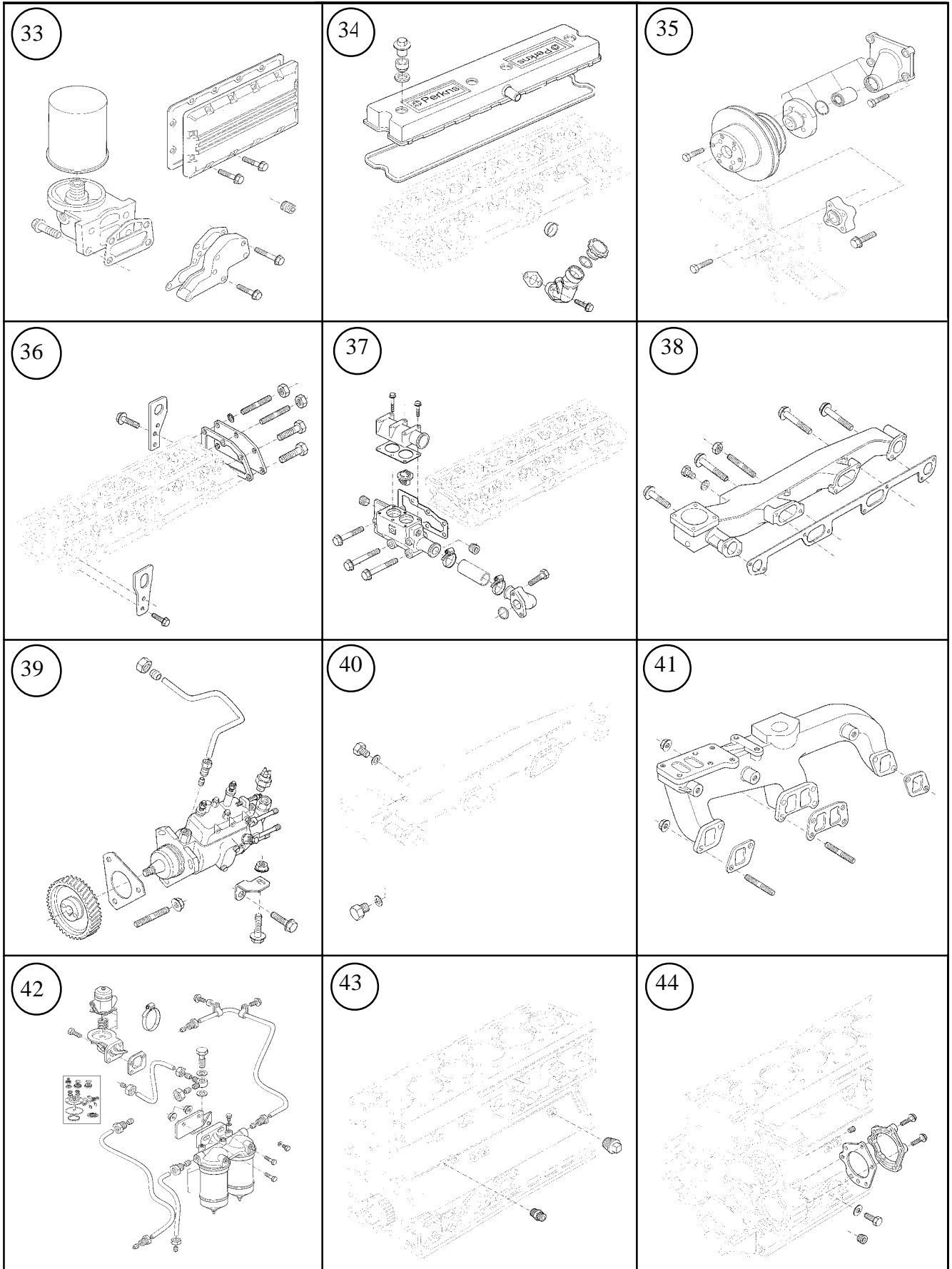
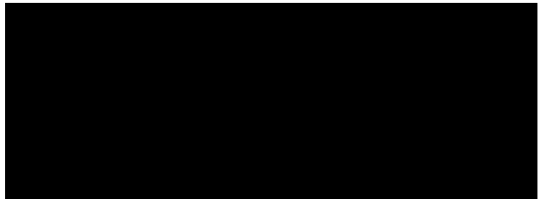
GRUPOS	UNIDADE BÁSICA Nº 355	BASIC UNIT Nº 355	UNIDAD BÁSICA Nº 355	UNITÉ DE BASE Nº 355
11/103	BLOCO DE CILINDROS	CYLINDER BLOCK	BLOQUE DE CILINDROS	BLOC-CYLINDRES
12/88	CAIXA DISTRIBUIÇÃO	TIMING CASE	CAJA DISTRIBUCIÓN	CARTER DISTRIBUTION
13/62	ÁRVORE DE MANIVELAS	CRANKSHAFT	CIGÜENAL	VILEBREQUIN
14/39	PISTÕES E BIELAS	PISTONS / CONNECT RODS	PISTONES Y BIELAS	PISTONS ET BIELLES
15/35	BOMBA ÓLEO LUBRIFICANTE	LUBRICATING OIL PUMP	BOMBA ACEITE LUBRICANTE	POMPE À HUILE LUBRIFIANTE
17/67	CABEÇOTE	CYLINDER HEAD	CULATA	CULASSE
18/52	VÁLVULAS/BALANCEIROS	VALVES / ROCKERSHAFT	VÁLVULAS / BALANCINES	SOUAPAPES / LEVIERS
20/23	RETENTOR TRASEIRO DE ÓLEO	REAR OIL SEAL	SELLO TRASERO DE ACEITE	DÉFLECTEUR D'HUILE ARR.
21/37	ÁRVORE COMANDO VÁLVULAS	CAMSHAFT	ARBOL DE LEVAS	ARBRE À CAMES
22/21	ENGRENAGENS DISTRIBUIÇÃO	IDLER GEARS	ENGRENAJES DISTRIBUCIÓN	PIGNONS DISTRIBUTION
<b>COMPLEMENTOS</b>				
31/187	CARTER ÓLEO LUBRIFICANTE	LUBRICATING OIL SUMP	CARTER ACEITE LUBRICANTE	CARTER HUILE LUBRIFIANTE
32/121	POLIA ÁRVORE MANIVELAS	CRANKSHAFT PULLEY	POLEA DEL CIGÜENAL	POULIE DU VILEBREQUIN
33/151	FILTRO ÓLEO LUBRIF./RESFRIADOR	LUBR. OIL FILTER / COOLER	FILT. ACEITE / REFRIGERADOR	FILTRE HUILE / REFROID
34/119	TAMPA DO CABEÇOTE	CYLINDER HEAD COVER	TAPA DE VÁLVULAS	CACHE-CULBUTEURS
35/133	VENTILADOR	FAN	VENTILADOR	VENTILATEUR
36/104	TAMPA TRASEIRA CABEÇOTE	CYLINDER HEAD REAR COVER	TAPA TRASERA DE LA CULATA	CACHE-CULBUTEURS ARRIERE
37/142	TERMOSTATO E CARÇAÇA	THERMOSTAT AND HOUSING	TERMOSTATO Y CÁRTER	THERMOSTAT ET CARTER
38/140	COLETOR DE ADMISSÃO	INDUCTION MANIFOLD	MÚLTIPLE DE ADMISIÓN	COLLECTEUR D'ADMISSION
39/265	BOMBA INJETORA COMBUSTÍVEL	FUEL INJECTION PUMP	BOMBA INYECTORA COMBUSTIBLE	POMPE D'INJEC. / COMBUST.
40/	SISTEMA AUXILIAR PARTIDA	COLD WEATHER STARTING AID	SIST. AUXILIAR DE ARRANQUE	THERMOSTART
41/61	COLETOR DE ESCAPE	EXHAUST MANIFOLD	MÚLTIPLE DE ESCAPE	COLLECTEUR D'ÉCHAPPEMENT
42/248	BOMBA ALIMENTADORA E FILTRO ÓLEO COMBUSTÍVEL	FUEL LIFT PUMP AND FUEL OIL FILTER	BOMBA DE ALIMENTACIÓN Y FILTROS ACEITE COMBUSTIBLE	POMPE D'ALIMENTATION ET FILTRE À HUILE COMBUSTIBLE
43/63	TOMADA P/ MANÔMETRO ÓLEO	OIL PRESS GAUGE FITTING	TOMA P/ MANÓMETRO ACEITE	PRISE P/ MANOMETRE D'HUILE
44/133	TOMADA POTÊNCIA	POWER TAKE-OFF	TOMA DE POTENCIA	PRISE DE PUISSANCE
45/116	CARÇAÇA DO VOLANTE	FLYWHEEL HOUSING	CARTER DEL VOLANTE	CARTER DU VOLANT
46/74	MOTOR DE PARTIDA	STARTER MOTOR	MOTOR DE ARRANQUE	DÉMARREUR
47/	ACIONAMENTO DO TAQUÍMETRO	TACHOMETER DRIVE	MANDO DEL TAQUÍMETRO	COMMANDE DU COMPTE-TOURS
48/168	TUBO INJEÇÃO / INJETORES	FUEL INJECTION SYSTEM	EQUIPO DE INYECCIÓN	SYSTEME D'INJECTION
49/	CONEXÃO ENTRADA D'ÁGUA	WATER INLET CONNECTION	CONEXIÓN ENTRADA D'ÁGUA	RACCORD D'ENTRÉE D'EAU
50/	ALTERNADOR E CORREIA	ALTERNATOR AND BELT	ALTERNADOR Y CORREA	ALTERNATEUR ET COURROIE
52/382	ÍTENS DE INSTALAÇÃO	FITTING ITEMS	PIEZAS DE INSTALACIÓN	ARTICLES D'INSTALLATION
53/62	RESPIRO DO MOTOR	ENGINE BREATHER	RESPIRADERO DEL MOTOR	RENIFLARD DU MOTEUR
54/	FILTRO DE AR	AIR CLEANER	FILTRO DE AIRE	FILTRE À AIR
55/	VOLANTE E CREMALHEIRA	FLYWHEEL AND STARTER RING	VOLANTE Y CORONA	VOLANT ET COURONNE
56/136	BOMBA D'ÁGUA	WATER PUMP	BOMBA DE ÁGUA	POMPE À EAU
58/80	TURBO ALIMENTADOR	TURBOCHARGER	AVEC COMPRESSEUR	TURBINA
<b>ACESSÓRIOS</b>				
71/	SUPORTE DO MOTOR	ENGINE SUPPORTS	SOPORTES DEL MOTOR	SUPPORTS DU MOTEUR
72/	SISTEMA DE ARREFECIMENTO	COOLING SYSTEM	SISTEMA DE ENFRIAMIENTO	SYSTEME REFROIDISSEMENT
73/137	CONTROLES	CONTROLS	CONTROLES	CONTRÔLES
74/91	SISTEMA DE ESCAPE	EXHAUST SYSTEM	SISTEMA DE ESCAPE	SYSTEME D'ÉCHAPPEMENT
75/	SISTEMA DE COMBUSTÍVEL	FUEL SYSTEM	SISTEMA DE COMBUSTIBLE	SYSTEME D'COMBUSTIBLE
76/29	SISTEMA DE ADMISSÃO	INDUCTION SYSTEM	SISTEMA DE ADMISIÓN	SYSTEME D'ADMISSION
77/	PAINEL DE INSTRUMENTOS	INSTRUMENT PANEL	TABLERO DE INSTRUMENTOS	TABLEAU DE BORD
78/	SISTEMA ELÉTRICO	ELECTRICAL SYSTEM	SISTEMA ELÉCTRICO	SYSTEME ÉLECTRIQUE
<b>JOGO DE JUNTAS</b>				
00/82	JOGO DE JUNTAS CABEÇOTE	TOP OVERHAUL	JUEGO DE JUNTAS CULATA	JEU DE JOINTS CULASSE
00/84	JOGO DE JUNTAS BLOCO	BOTTOM OVERHAUL	JUEGO DE JUNTAS BLOQUE	JEU DE JOINTS DU BLOC

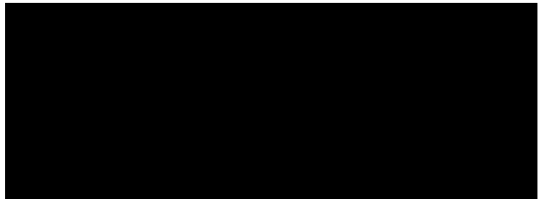
GRUPOS	UNIDADE BÁSICA Nº 362	BASIC UNIT Nº 362	UNIDAD BÁSICA Nº 362	UNITÉ DE BASE Nº 362
11/103	BLOCO DE CILINDROS	CYLINDER BLOCK	BLOQUE DE CILINDROS	BLOC-CYLINDRES
12/88	CAIXA DISTRIBUIÇÃO	TIMING CASE	CAJA DISTRIBUCIÓN	CARTER DISTRIBUTION
13/62	ÁRVORE DE MANIVELAS	CRANKSHAFT	CIGÜENAL	VILEBREQUIN
14/39	PISTÕES E BIELAS	PISTONS / CONNECT RODS	PISTONES Y BIELAS	PISTONS ET BIELLES
15/35	BOMBA ÓLEO LUBRIFICANTE	LUBRICATING OIL PUMP	BOMBA ACEITE LUBRICANTE	POMPE À HUILE LUBRIFIANTE
17/67	CABEÇOTE	CYLINDER HEAD	CULATA	CULASSE
18/55	VÁLVULAS/BALANCEIROS	VALVES / ROCKERSHAFT	VÁLVULAS / BALANCINES	SOUPAPES / LEVIERS
20/23	RETENTOR TRASEIRO DE ÓLEO	REAR OIL SEAL	SELLO TRASERO DE ACEITE	DÉFLECTEUR D'HUILE ARR.
21/40	ÁRVORE COMANDO VÁLVULAS	CAMSHAFT	ARBOL DE LEVAS	ARBRE À CAMES
22/21	ENGRENAGENS DISTRIBUIÇÃO	IDLER GEARS	ENGRENAJES DISTRIBUCIÓN	PIGNONS DISTRIBUTION
	<b>COMPLEMENTOS</b>	<b>COMPLEMENTS</b>	<b>COMPLEMENTOS</b>	<b>COMPLÉMENTS</b>
31/192	CARTER ÓLEO LUBRIFICANTE	LUBRICATING OIL SUMP	CARTER ACEITE LUBRICANTE	CARTER HUILE LUBRIFIANTE
32/121	POLIA ÁRVORE MANIVELAS	CRANKSHAFT PULLEY	POLEA DEL CIGÜENAL	POULIE DU VILEBREQUIN
33/157	FILTRO ÓLEO LUBRIF./RESFRIADOR	LUBR. OIL FILTER / COOLER	FILT. ACEITE / REFRIGERADOR	FILTRE HUILE / REFRROID
34/119	TAMPA DO CABEÇOTE	CYLINDER HEAD COVER	TAPA DE VÁLVULAS	CACHE-CULBUTEURS
35/138	VENTILADOR	FAN	VENTILADOR	VENTILATEUR
36/104	TAMPA TRASEIRA CABEÇOTE	CYLINDER HEAD REAR COVER	TAPA TRASERA DE LA CULATA	CACHE-CULBUTEURS ARRIERE
37/142	TERMOSTATO E CARÇAÇA	THERMOSTAT AND HOUSING	TERMOSTATO Y CÁRTER	THERMOSTAT ET CARTER
38/147	COLETOR DE ADMISSÃO	INDUCTION MANIFOLD	MÚLTIPLE DE ADMISIÓN	COLLECTEUR D'ADMISSION
39/275	BOMBA INJETORA COMBUSTÍVEL	FUEL INJECTION PUMP	BOMBA INYECTORA COMBUSTIBLE	POMPE D'INJEC. / COMBUST.
40/	SISTEMA AUXILIAR PARTIDA	COLD WEATHER STARTING AID	SIST. AUXILIAR DE ARRANQUE	THERMOSTART
41/61	COLETOR DE ESCAPE	EXHAUST MANIFOLD	MÚLTIPLE DE ESCAPE	COLLECTEUR D'ÉCHAPPEMENT
42/242	BOMBA ALIMENTADORA E FILTRO ÓLEO COMBUSTÍVEL	FUEL LIFT PUMP AND FUEL OIL FILTER	BOMBA DE ALIMENTACIÓN Y FILTROS ACEITE COMBUSTIBLE	POMPE D'ALIMENTATION ET FILTRE À HUILE COMBUSTIBLE
43/63	TOMADA P/ MANÓMETRO ÓLEO	OIL PRESS GAUGE FITTING	TOMA P/ MANÓMETRO ACEITE	PRISE P/ MANOMETRE D'HUILE
44/133	TOMADA POTÊNCIA	POWER TAKE-OFF	TOMA DE POTENCIA	PRISE DE PUISSANCE
45/116	CARÇAÇA DO VOLANTE	FLYWHEEL HOUSING	CARTER DEL VOLANTE	CARTER DU VOLANT
46/74	MOTOR DE PARTIDA	STARTER MOTOR	MOTOR DE ARRANQUE	DÉMARREUR
47/	ACIONAMENTO DO TAQUÍMETRO	TACHOMETER DRIVE	MANDO DEL TAQUÍMETRO	COMMANDE DU COMPTE-TOURS
48/167	TUBO INJEÇÃO / INJETORES	FUEL INJECTION SYSTEM	EQUIPO DE INYECCIÓN	SYSTEME D'INJECTION
49/	CONEXÃO ENTRADA D'ÁGUA	WATER INLET CONNECTION	CONEXIÓN ENTRADA D'ÁGUA	RACCORD D'ENTRÉE D'EAU
50/	ALTERNADOR E CORREIA	ALTERNATOR AND BELT	ALTERNADOR Y CORREA	ALTERNATEUR ET COURROIE
52/382	ÍTENS DE INSTALAÇÃO	FITTING ITEMS	PIEZAS DE INSTALACIÓN	ARTICLES D'INSTALLATION
53/64	RESPIRO DO MOTOR	ENGINEER BREATHER	RESPIRADERO DEL MOTOR	RENIFLARD DU MOTEUR
54/	FILTRO DE AR	AIR CLEANER	FILTRO DE AIRE	FILTRE À AIR
55/	VOLANTE E CREMALHEIRA	FLYWHEEL AND STARTER RING	VOLANTE Y CORONA	VOLANT ET COURONNE
56/136	BOMBA D'ÁGUA	WATER PUMP	BOMBA DE ÁGUA	POMPE À EAU
58/80	TURBO ALIMENTADOR	TURBOCHARGER	AVEC COMPRESSEUR	TURBINA
	<b>ACESSÓRIOS</b>	<b>ACCESSORIES</b>	<b>ACESSORIOS</b>	<b>ACCESSOIRES</b>
71/	SUPORTE DO MOTOR	ENGINE SUPPORTS	SOPORTES DEL MOTOR	SUPPORTS DU MOTEUR
72/	SISTEMA DE ARREFECIMENTO	COOLING SYSTEM	SISTEMA DE ENFRIAMIENTO	SYSTEME REFROIDISSEMENT
73/137	CONTROLES	CONTROLS	CONTROLES	CONTRÔLES
74/	SISTEMA DE ESCAPE	EXHAUST SYSTEM	SISTEMA DE ESCAPE	SYSTEME D'ÉCHAPPEMENT
75/	SISTEMA DE COMBUSTÍVEL	FUEL SYSTEM	SISTEMA DE COMBUSTIBLE	SYSTEME D'COMBUSTIBLE
76/29	SISTEMA DE ADMISSÃO	INDUCTION SYSTEM	SISTEMA DE ADMISIÓN	SYSTEME D'ADMISSION
77/	PAINEL DE INSTRUMENTOS	INSTRUMENT PANEL	TABLERO DE INSTRUMENTOS	TABLEAU DE BORD
78/	SISTEMA ELÉTRICO	ELECTRICAL SYSTEM	SISTEMA ELÉCTRICO	SYSTEME ÉLECTRIQUE
	<b>JOGO DE JUNTAS</b>	<b>JOINT SETS</b>	<b>JUEGOS DE JUNTAS</b>	<b>JEUX DE JOINTS</b>
00/82	JOGO DE JUNTAS CABEÇOTE	TOP OVERHAUL	JUEGO DE JUNTAS CULATA	JEU DE JOINTS CULASSE
00/84	JOGO DE JUNTAS BLOCO	BOTTOM OVERHAUL	JUEGO DE JUNTAS BLOQUE	JEU DE JOINTS DU BLOC

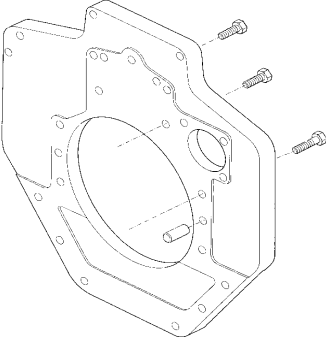
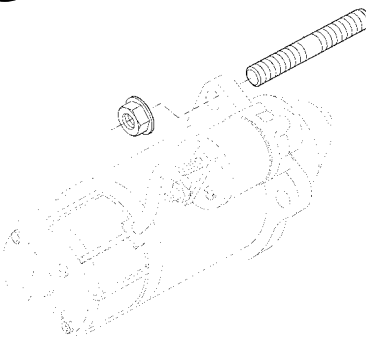
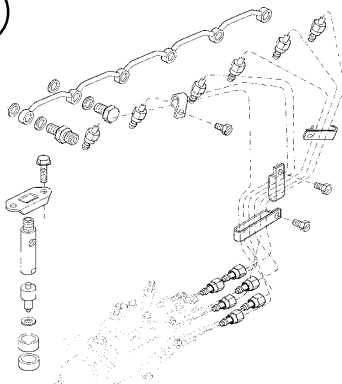
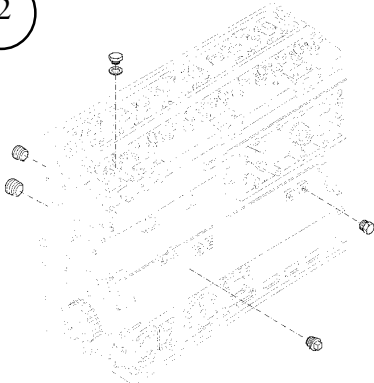
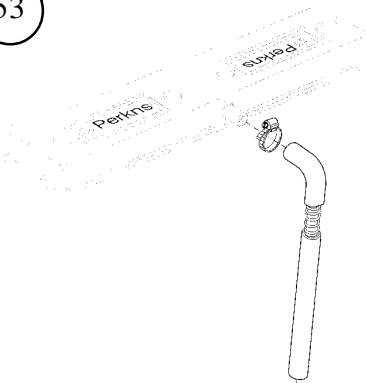
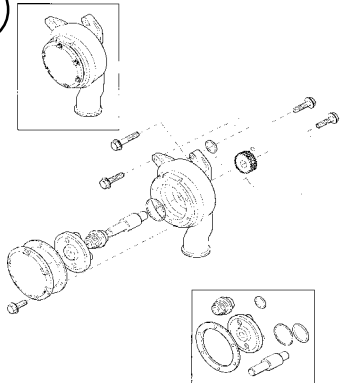
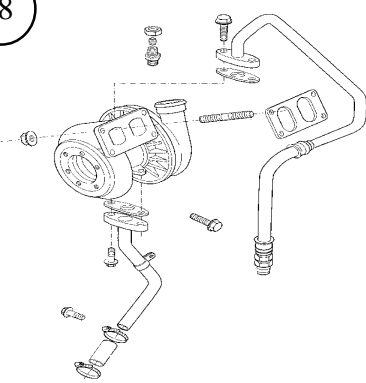
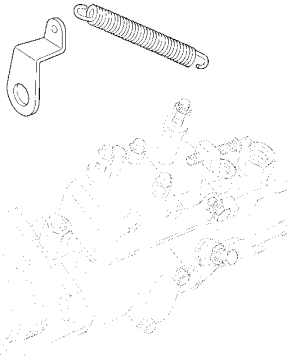
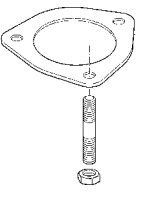
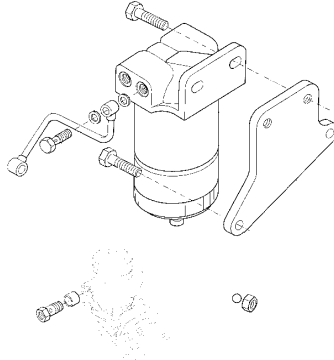
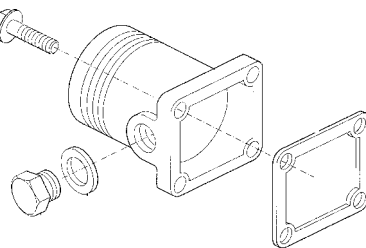
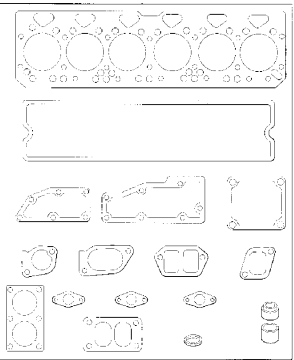
GRUPOS	UNIDADE BÁSICA Nº 354	BASIC UNIT Nº 354	UNIDAD BÁSICA Nº 354	UNITÉ DE BASE Nº 354
11/103	BLOCO DE CILINDROS	CYLINDER BLOCK	BLOQUE DE CILINDROS	BLOC-CYLINDRES
12/88	CAIXA DISTRIBUIÇÃO	TIMING CASE	CAJA DISTRIBUCIÓN	CARTER DISTRIBUTION
13/62	ÁRVORE DE MANIVELAS	CRANKSHAFT	CIGUENAL	VILEBREQUIN
14/39	PISTÕES E BIELAS	PISTONS / CONNECT RODS	PISTONES Y BIELAS	PISTONS ET BIELLES
15/35	BOMBA ÓLEO LUBRIFICANTE	LUBRICATING OIL PUMP	BOMBA ACEITE LUBRICANTE	POMPE À HUILE LUBRIFIANTE
17/67	CABEÇOTE	CYLINDER HEAD	CULATA	CULASSE
18/51	VÁLVULAS/BALANCEIROS	VALVES / ROCKERSHAFT	VÁLVULAS / BALANCINES	SOUPAPES / LEVIERS
20/23	RETENTOR TRASEIRO DE ÓLEO	REAR OIL SEAL	SELLO TRASERO DE ACEITE	DÉFLECTEUR D'HUILE ARR.
21/36	ÁRVORE COMANDO VÁLVULAS	CAMSHAFT	ARBOL DE LEVAS	ARBRE À CAMES
22/21	ENGRENAGENS DISTRIBUIÇÃO	IDLER GEARS	ENGRENAJES DISTRIBUCIÓN	PIGNONS DISTRIBUTION
	<b>COMPLEMENTOS</b>	<b>COMPLEMENTS</b>	<b>COMPLEMENTOS</b>	<b>COMPLÉMENTS</b>
31/187	CARTER ÓLEO LUBRIFICANTE	LUBRICATING OIL SUMP	CARTER ACEITE LUBRICANTE	CARTER HUILE LUBRIFIANTE
32/121	POLIA ÁRVORE MANIVELAS	CRANKSHAFT PULLEY	POLEA DEL CIGÜENAL	POULIE DU VILEBREQUIN
33/151	FILTRO ÓLEO LUBRIF./RESFRIADOR	LUBR. OIL FILTER / COOLER	FILT. ACEITE / REFRIGERADOR	FILTRE HUILE / REFROID
34/119	TAMPA DO CABEÇOTE	CYLINDER HEAD COVER	TAPA DE VÁLVULAS	CACHE-CULBUTEURS
35/132	VENTILADOR	FAN	VENTILADOR	VENTILATEUR
36/104	TAMPA TRASEIRA CABEÇOTE	CYLINDER HEAD REAR COVER	TAPA TRASERA DE LA CULATA	CACHE-CULBUTEURS ARRIERE
37/142	TERMOSTATO E CARÇAÇA	THERMOSTAT AND HOUSING	TERMOSTATO Y CÁRTER	THERMOSTAT ET CARTER
38/139	COLETOR DE ADMISSÃO	INDUCTION MANIFOLD	MÚLTIPLE DE ADMISIÓN	COLLECTEUR D'ADMISSION
39/264	BOMBA INJETORA COMBUSTÍVEL	FUEL INJECTION PUMP	BOMBA INYECTORA COMBUSTIBLE	POMPE D'INJEC. / COMBUST.
40/	SISTEMA AUXILIAR PARTIDA	COLD WEATHER STARTING AID	SIST. AUXILIAR DE ARRANQUE	THERMOSTART
41/61	COLETOR DE ESCAPE	EXHAUST MANIFOLD	MÚLTIPLE DE ESCAPE	COLLECTEUR D'ÉCHAPPEMENT
42/242	BOMBA ALIMENTADORA E FILTRO ÓLEO COMBUSTÍVEL	FUEL LIFT PUMP AND FUEL OIL FILTER	BOMBA DE ALIMENTACIÓN Y FILTROS ACEITE COMBUSTIBLE	POMPE D'ALIMENTATION ET FILTRE À HUILE COMBUSTIBLE
43/63	TOMADA P/ MANÔMETRO ÓLEO	OIL PRESS GAUGE FITTING	TOMA P/ MANÓMETRO ACEITE	PRISE P/ MANOMETRE D'HUILE
44/133	TOMADA POTÊNCIA	POWER TAKE-OFF	TOMA DE POTENCIA	PRISE DE PUISSANCE
45/116	CARÇAÇA DO VOLANTE	FLYWHEEL HOUSING	CARTER DEL VOLANTE	CARTER DU VOLANT
46/74	MOTOR DE PARTIDA	STARTER MOTOR	MOTOR DE ARRANQUE	DÉMARREUR
47/	ACIONAMENTO DO TAQUÍMETRO	TACHOMETER DRIVE	MANDO DEL TAQUÍMETRO	COMMANDE DU COMPTE-TOURS
48/167	TUBO INJEÇÃO / INJETORES	FUEL INJECTION SYSTEM	EQUIPO DE INYECCIÓN	SYSTEME D'INJECTION
49/	CONEXÃO ENTRADA D'ÁGUA	WATER INLET CONNECTION	CONEXIÓN ENTRADA D'ÁGUA	RACCORD D'ENTRÉE D'EAU
50/	ALTERNADOR E CORREIA	ALTERNATOR AND BELT	ALTERNADOR Y CORREA	ALTERNATEUR ET COURROIE
52/382	ÍTENS DE INSTALAÇÃO	FITTING ITEMS	PIEZAS DE INSTALACIÓN	ARTICLES D'INSTALLATION
53/62	RESPIRO DO MOTOR	ENGINEER BREATHER	RESPIRADERO DEL MOTOR	RENIFLARD DU MOTEUR
54/	FILTRO DE AR	AIR CLEANER	FILTRO DE AIRE	FILTRE À AIR
55/	VOLANTE E CREMALHEIRA	FLYWHEEL AND STARTER RING	VOLANTE Y CORONA	VOLANT ET COURONNE
56/136	BOMBA D'ÁGUA	WATER PUMP	BOMBA DE ÁGUA	POMPE À EAU
58/80	TURBO ALIMENTADOR	TURBOCHARGER	AVEC COMPRESSEUR	TURBINA
	<b>ACESSÓRIOS</b>	<b>ACCESSORIES</b>	<b>ACESSORIOS</b>	<b>ACCESSOIRES</b>
71/	SUPORTE DO MOTOR	ENGINE SUPPORTS	SOPORTES DEL MOTOR	SUPPORTS DU MOTEUR
72/	SISTEMA DE ARREFECIMENTO	COOLING SYSTEM	SISTEMA DE ENFRIAMIENTO	SYSTEME REFROIDISSEMENT
73/137	CONTROLES	CONTROLS	CONTROLES	CONTRÔLES
74/91	SISTEMA DE ESCAPE	EXHAUST SYSTEM	SISTEMA DE ESCAPE	SYSTEME D'ÉCHAPPEMENT
75/	SISTEMA DE COMBUSTÍVEL	FUEL SYSTEM	SISTEMA DE COMBUSTIBLE	SYSTEME D'COMBUSTIBLE
76/29	SISTEMA DE ADMISSÃO	INDUCTION SYSTEM	SISTEMA DE ADMISIÓN	SYSTEME D'ADMISSION
77/	PAINEL DE INSTRUMENTOS	INSTRUMENT PANEL	TABLERO DE INSTRUMENTOS	TABLEAU DE BORD
78/	SISTEMA ELÉTRICO	ELECTRICAL SYSTEM	SISTEMA ELÉCTRICO	SYSTEME ÉLECTRIQUE
	<b>JOGO DE JUNTAS</b>	<b>JOINT SETS</b>	<b>JUEGOS DE JUNTAS</b>	<b>JEUX DE JOINTS</b>
00/82	JOGO DE JUNTAS CABEÇOTE	TOP OVERHAUL	JUEGO DE JUNTAS CULATA	JEU DE JOINTS CULASSE
00/84	JOGO DE JUNTAS BLOCO	BOTTOM OVERHAUL	JUEGO DE JUNTAS BLOQUE	JEU DE JOINTS DU BLOC

GRUPOS	UNIDADE BÁSICA Nº 356	BASIC UNIT Nº 356	UNIDAD BÁSICA Nº 356	UNITÉ DE BASE Nº 356
11/103	BLOCO DE CILINDROS	CYLINDER BLOCK	BLOQUE DE CILINDROS	BLOC-CYLINDRES
12/88	CAIXA DISTRIBUIÇÃO	TIMING CASE	CAJA DISTRIBUCIÓN	CARTER DISTRIBUTION
13/63	ÁRVORE DE MANIVELAS	CRANKSHAFT	CIGÜENAL	VILEBREQUIN
14/39	PISTÕES E BIELAS	PISTONS / CONNECT RODS	PISTONES Y BIELAS	PISTONS ET BIELLES
15/35	BOMBA ÓLEO LUBRIFICANTE	LUBRICATING OIL PUMP	BOMBA ACEITE LUBRICANTE	POMPE À HUILE LUBRIFIANTE
17/67	CABEÇOTE	CYLINDER HEAD	CULATA	CULASSE
18/51	VÁLVULAS/BALANCEIROS	VALVES / ROCKERSHAFT	VÁLVULAS / BALANCINES	SOUPAPES / LEVIERS
20/23	RETENTOR TRASEIRO DE ÓLEO	REAR OIL SEAL	SELLO TRASERO DE ACEITE	DÉFLECTEUR D'HUILE ARR.
21/38	ÁRVORE COMANDO VÁLVULAS	CAMSHAFT	ARBOL DE LEVAS	ARBRE À CAMES
22/21	ENGRENAGENS DISTRIBUIÇÃO	IDLER GEARS	ENGRENAJES DISTRIBUCIÓN	PIGNONS DISTRIBUTION
	<b>COMPLEMENTOS</b>	<b>COMPLEMENTS</b>	<b>COMPLEMENTOS</b>	<b>COMPLÉMENTS</b>
31/187	CARTER ÓLEO LUBRIFICANTE	LUBRICATING OIL SUMP	CARTER ACEITE LUBRICANTE	CARTER HUILE LUBRIFIANTE
32/121	POLIA ÁRVORE MANIVELAS	CRANKSHAFT PULLEY	POLEA DEL CIGÜENAL	POULIE DU VILEBREQUIN
33/152	FILTRO ÓLEO LUBRIF./RESFRIADOR	LUBR. OIL FILTER / COOLER	FILT. ACEITE / REFRIGERADOR	FILTRE HUILE / REFRROID
34/119	TAMPA DO CABEÇOTE	CYLINDER HEAD COVER	TAPA DE VÁLVULAS	CACHE-CULBUTEURS
35/132	VENTILADOR	FAN	VENTILADOR	VENTILATEUR
36/105	TAMPA TRASEIRA CABEÇOTE	CYLINDER HEAD REAR COVER	TAPA TRASERA DE LA CULATA	CACHE-CULBUTEURS ARRIERE
37/142	TERMOSTATO E CARÇAÇA	THERMOSTAT AND HOUSING	TERMOSTATO Y CÁRTER	THERMOSTAT ET CARTER
38/141	COLETOR DE ADMISSÃO	INDUCTION MANIFOLD	MÚLTIPLE DE ADMISIÓN	COLLECTEUR D'ADMISSION
39/274	BOMBA INJETORA COMBUSTÍVEL	FUEL INJECTION PUMP	BOMBA INYECTORA COMBUSTIBLE	POMPE D'INJEC. / COMBUST.
40/	SISTEMA AUXILIAR PARTIDA	COLD WEATHER STARTING AID	SIST. AUXILIAR DE ARRANQUE	THERMOSTART
41/61	COLETOR DE ESCAPE	EXHAUST MANIFOLD	MÚLTIPLE DE ESCAPE	COLLECTEUR D'ÉCHAPPEMENT
42/242	BOMBA ALIMENTADORA E FILTRO ÓLEO COMBUSTÍVEL	FUEL LIFT PUMP AND FUEL OIL FILTER	BOMBA DE ALIMENTACIÓN Y FILTROS ACEITE COMBUSTIBLE	POMPE D'ALIMENTATION ET FILTRE À HUILE COMBUSTIBLE
43/63	TOMADA P/ MANÔMETRO ÓLEO	OIL PRESS GAUGE FITTING	TOMA P/ MANÔMETRO ACEITE	PRISE P/ MANOMETRE D'HUILE
44/133	TOMADA POTÊNCIA	POWER TAKE-OFF	TOMA DE POTENCIA	PRISE DE PUISSANCE
45/116	CARÇAÇA DO VOLANTE	FLYWHEEL HOUSING	CARTER DEL VOLANTE	CARTER DU VOLANT
46/74	MOTOR DE PARTIDA	STARTER MOTOR	MOTOR DE ARRANQUE	DÉMARREUR
47/	ACIONAMENTO DO TAQUÍMETRO	TACHOMETER DRIVE	MANDO DEL TAQUÍMETRO	COMMANDE DU COMPTE-TOURS
48/182	TUBO INJEÇÃO / INJETORES	FUEL INJECTION SYSTEM	EQUIPO DE INYECCIÓN	SYSTEME D'INJECTION
49/	CONEXÃO ENTRADA D'ÁGUA	WATER INLET CONNECTION	CONEXIÓN ENTRADA D'ÁGUA	RACCORD D'ENTRÉE D'EAU
50/	ALTERNADOR E CORREIA	ALTERNATOR AND BELT	ALTERNADOR Y CORREA	ALTERNATEUR ET COURROIE
52/382	ÍTEMS DE INSTALAÇÃO	FITTING ITEMS	PIEZAS DE INSTALACIÓN	ARTICLES D'INSTALLATION
53/62	RESPIRO DO MOTOR	ENGINEER BREATHER	RESPIRADERO DEL MOTOR	RENIFLARD DU MOTEUR
54/	FILTRO DE AR	AIR CLEANER	FILTRO DE AIRE	FILTRE À AIR
55/	VOLANTE E CREMALHEIRA	FLYWHEEL AND STARTER RING	VOLANTE Y CORONA	VOLANT ET COURONNE
56/136	BOMBA D'ÁGUA	WATER PUMP	BOMBA DE ÁGUA	POMPE À EAU
58/81	TURBO ALIMENTADOR	TURBOCHARGER	AVEC COMPRESSEUR	TURBINA
	<b>ACESSÓRIOS</b>	<b>ACCESSORIES</b>	<b>ACESSORIOS</b>	<b>ACCESSOIRES</b>
71/	SUPORTE DO MOTOR	ENGINE SUPPORTS	SOPORTES DEL MOTOR	SUPPORTS DU MOTEUR
72/	SISTEMA DE ARREFECIMENTO	COOLING SYSTEM	SISTEMA DE ENFRIAMIENTO	SYSTEME REFRROIDISSEMENT
73/137	CONTROLES	CONTROLS	CONTROLES	CONTRÔLES
74/	SISTEMA DE ESCAPE	EXHAUST SYSTEM	SISTEMA DE ESCAPE	SYSTEME D'ÉCHAPPEMENT
75/	SISTEMA DE COMBUSTÍVEL	FUEL SYSTEM	SISTEMA DE COMBUSTIBLE	SYSTEME D'COMBUSTIBLE
76/29	SISTEMA DE ADMISSÃO	INDUCTION SYSTEM	SISTEMA DE ADMISIÓN	SYSTEME D'ADMISSION
77/	PAINEL DE INSTRUMENTOS	INSTRUMENT PANEL	TABLERO DE INSTRUMENTOS	TABLEAU DE BORD
78/	SISTEMA ELÉTRICO	ELECTRICAL SYSTEM	SISTEMA ELÉCTRICO	SYSTEME ÉLECTRIQUE
	<b>JOGO DE JUNTAS</b>	<b>JOINT SETS</b>	<b>JUEGOS DE JUNTAS</b>	<b>JEUX DE JOINTS</b>
00/82	JOGO DE JUNTAS CABEÇOTE	TOP OVERHAUL	JUEGO DE JUNTAS CULATA	JEU DE JOINTS CULASSE
00/84	JOGO DE JUNTAS BLOCO	BOTTOM OVERHAUL	JUEGO DE JUNTAS BLOQUE	JEU DE JOINTS DU BLOC





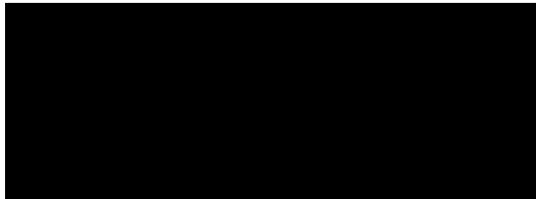


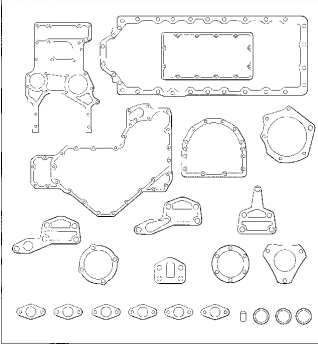
<p>45</p> 	<p>46</p> 	<p>48</p> 
<p>52</p> 	<p>53</p> 	<p>56</p> 
<p>58</p> 	<p>73</p> 	<p>74</p> 
<p>75</p> 	<p>76</p> 	<p>00</p> 



ÍNDICE DE GRUPOS  
GROUP INDEX  
ÍNDICE DE GRUPOS  
INDEX DE GROUPES

1006.6  
1006.6T

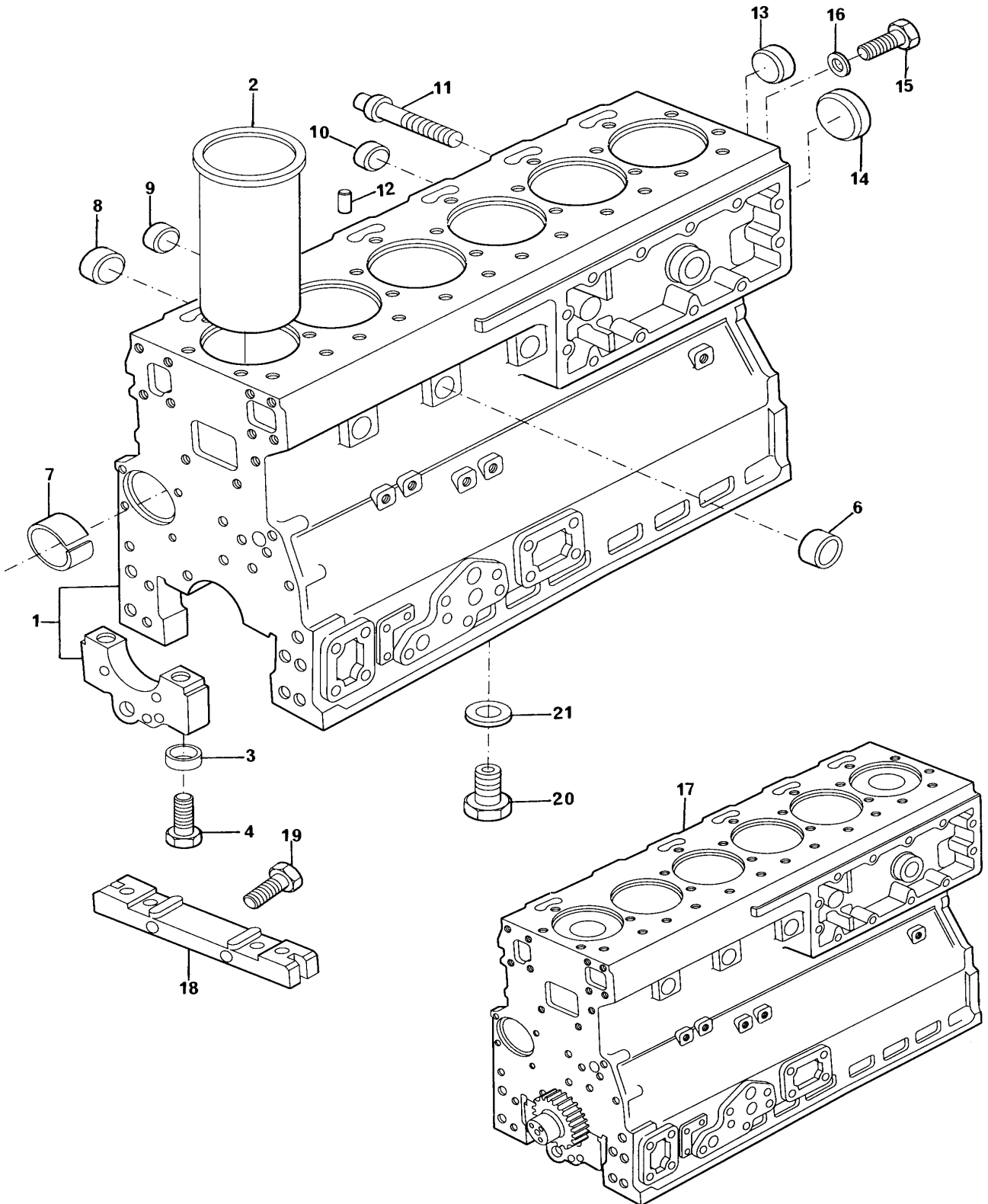


<p>00</p>  An exploded view diagram of various engine components, including a cylinder head, gaskets, pistons, and other parts, arranged in a structured layout.		

BLOCO DE CILINDROS  
CYLINDER BLOCK  
BLOQUE DE CILINDROS  
BLOC-CYLINDRES

GRUPO  
GROUP  
GRUPO  
GROUPE

11/81



**BLOCO DE CILINDROS**  
**CYLINDER BLOCK**  
**BLOQUE DE CILINDROS**  
**BLOC-CYLINDRES**

**GRUPO**  
**GROUP** 11/81  
**GRUPO**  
**GROUPE**

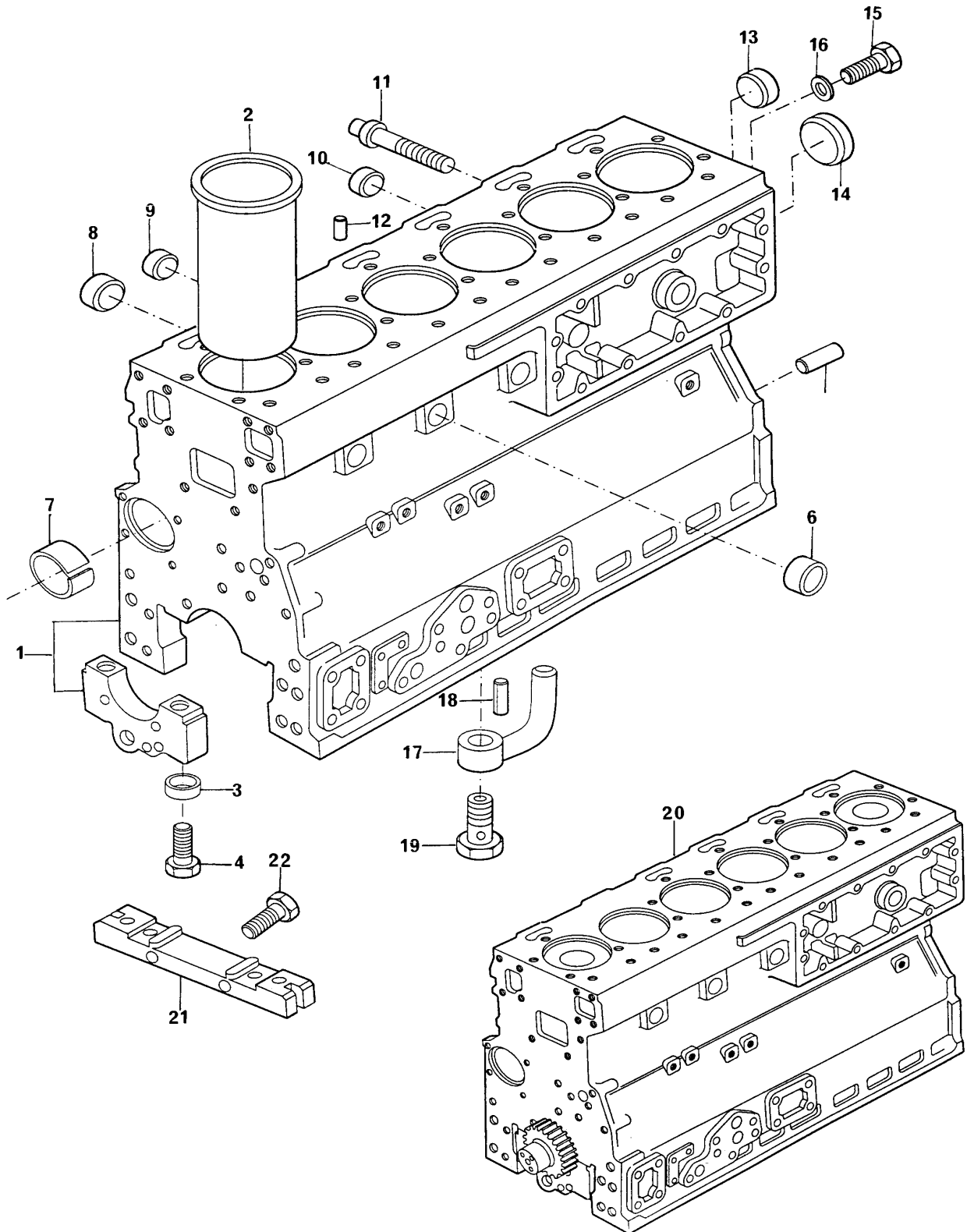
1	ZZ50185		1	BLOCO	BLOCK	BLOQUE	BLOC
2	3135X042	1	6	CAMISA	LINER	CAMISA	CHEMISE
2	3135X041	(A)	X	CAMISA	LINER	CAMISA	CHEMISE
3	33142111	1	14	ANEL LOCALIZADOR	THIMBLE	GUÍA	BAGUE
4	32166329	1	14	PARAFUSO	BOLT	TORNILLO	VIS
6	32418122	1	5	BUJÃO	PLUG	TAPÓN	BOUCHON
7	70998033	1	1	BUCHA	BUSH	BUJE	BAGUE
8	32418122	1	3	BUJÃO	PLUG	TAPÓN	BOUCHON
9	32418122	1	3	BUJÃO	PLUG	TAPÓN	BOUCHON
10	32416118	1	5	BUJÃO	PLUG	TAPÓN	BOUCHON
11	2485A204	1	1	BUJÃO	PLUG	TAPÓN	BOUCHON
12	32417134	1	1	BUJÃO	PLUG	TAPÓN	BOUCHON
13	32418122	1	1	BUJÃO	PLUG	TAPÓN	BOUCHON
14	32416119	1	1	BUJÃO	PLUG	TAPÓN	BOUCHON
15	32168212	1	1	BUJÃO	PLUG	TAPÓN	BOUCHON
16	70920065	1	1	ARRUELA	WASHER	ARANDELA	RONDELLE
17	YA39801		1	MOTOR PARCIAL	SHORT ENGINE	MOTOR PARCIAL	MOTEUR PARTIEL
18	3627P023		1	PLACA INTERMEDIÁRIA	PLATE	PLACA	PLAQUE
19	2311D039		2	PARAFUSO	BOLT	TORNILLO	VIS
20	2182110		6	PARAFUSO	BOLT	TORNILLO	VIS
21	0920469		6	ARRUELA	WASHER	ARANDELA	RONDELLE

(A) CAMISA SEMI-ACABADA  
HALF-FINISHED LINER  
CAMISA SEMI-TERMINADA  
CHEMISE SEMI-FINIE

BLOCO DE CILINDROS  
CYLINDER BLOCK  
BLOQUE DE CILINDROS  
BLOC-CYLINDRES

GRUPO  
GROUP  
GRUPO  
GRUPE

11/82



**BLOCO DE CILINDROS**  
**CYLINDER BLOCK**  
**BLOQUE DE CILINDROS**  
**BLOC-CYLINDRES**

**GRUPO**  
**GROUP**  
**GRUPO**  
**GROUPE**

11/82

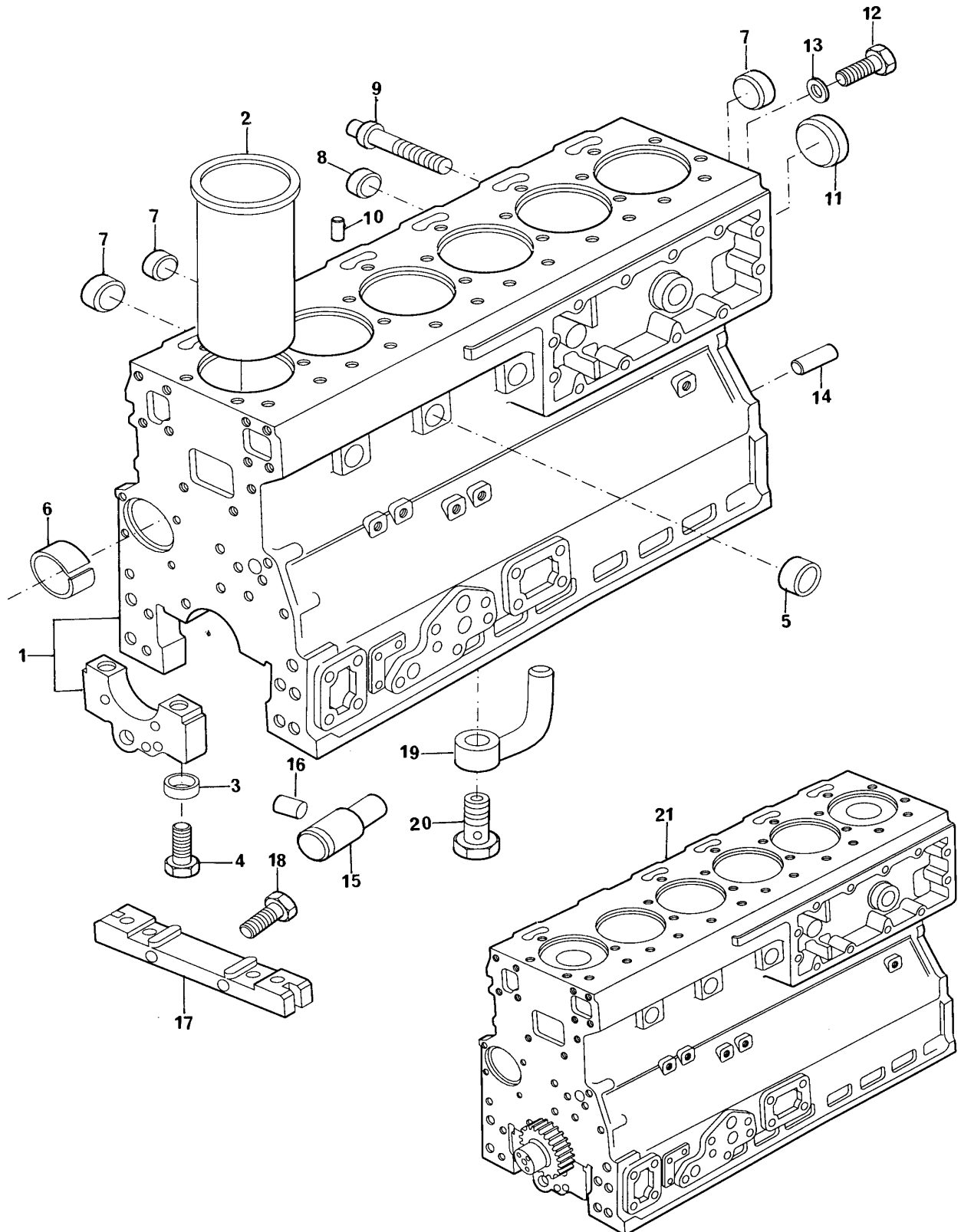
1	ZZ50235		1 BLOCO	BLOCK	BLOQUE	BLOC
2	3135X042	1	6 CAMISA	LINER	CAMISA	CHEMISE
2	3135X041	(A)	X CAMISA	LINER	CAMISA	CHEMISE
3	33142111	1	14 ANEL LOCALIZADOR	THIMBLE	GUÍA	BAGUE
4	32166329	1	14 PARAFUSO	BOLT	TORNILLO	VIS
6	32418122	1	5 BUJÃO	PLUG	TAPÓN	BOUCHON
7	70998033	1	1 BUCHA	BUSH	BUJE	BAGUE
8	32418122	1	3 BUJÃO	PLUG	TAPÓN	BOUCHON
9	32418122	1	3 BUJÃO	PLUG	TAPÓN	BOUCHON
10	32416118	1	5 BUJÃO	PLUG	TAPÓN	BOUCHON
11	2485A204	1	1 BUJÃO	PLUG	TAPÓN	BOUCHON
12	32417134	1	1 BUJÃO	PLUG	TAPÓN	BOUCHON
13	32418122	1	1 BUJÃO	PLUG	TAPÓN	BOUCHON
14	32416119	1	1 BUJÃO	PLUG	TAPÓN	BOUCHON
15	32168212	1	1 BUJÃO	PLUG	TAPÓN	BOUCHON
16	70920065	1	1 ARRUELA	WASHER	ARANDELA	RONDELLE
17	70992547	1	6 TUBO	PIPE	CAÑO	TUYAUTERIE
18	2116A023	1	6 PINO GUIA	DOWEL	ESPIGA	PION
19	4138A017	1	6 VÁLVULA	VALVE	VALVULA	SOUPAPE
20	YD39822		1 MOTOR PARCIAL	SHORT ENGINE	MOTOR PARCIAL	MOTEUR PARTIEL
21	3627P023		1 PLACA INTERMEDIÁRIA	PLATE	PLACA	PLAQUE
22	2311D039		2 PARAFUSO	BOLT	TORNILLO	VIS

(A) CAMISA SEMI-ACABADA  
 HALF-FINISHED LINER  
 CAMISA SEMI-TERMINADA  
 CHEMISE SEMI-FINIE

BLOCO DE CILINDROS  
CYLINDER BLOCK  
BLOQUE DE CILINDROS  
BLOC-CYLINDRES

GRUPO  
GROUP  
GRUPO  
GROUPE

11/103



**BLOCO DE CILINDROS  
CYLINDER BLOCK  
BLOQUE DE CILINDROS  
BLOC-CYLINDRES**

**GRUPO  
GROUP  
GRUPO  
GROUPE** 11/103

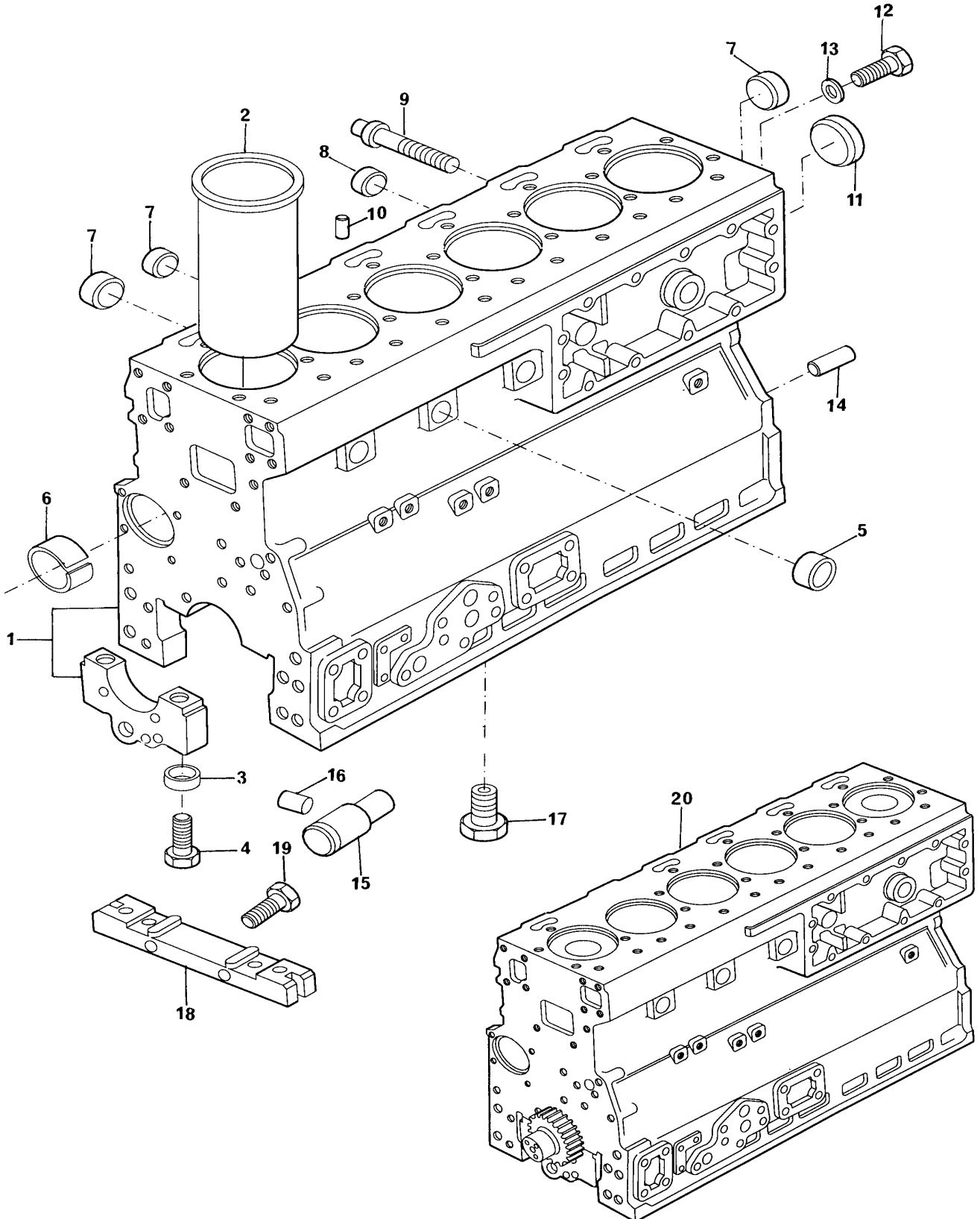
1	S1029		1 BLOCO	BLOCK	BLOQUE	BLOC
2	3135X042	1	6 CAMISA	LINER	CAMISA	CHEMISE
2	3135X041	(A)	X CAMISA	LINER	CAMISA	CHEMISE
3	33142111	1	14 ANEL LOCALIZADOR	THIMBLE	GUÍA	BAGUE
4	32166329	1	14 PARAFUSO	BOLT	TORNILLO	VIS
5	32418122	1	5 BUJÃO	PLUG	TAPÓN	BOUCHON
6	31134165	1	1 BUCHA	BUSH	BUJE	BAGUE
7	32418122	1	7 BUJÃO	PLUG	TAPÓN	BOUCHON
8	32416118	1	5 BUJÃO	PLUG	TAPÓN	BOUCHON
9	2485A204	1	1 BUJÃO	PLUG	TAPÓN	BOUCHON
10	32417134	1	1 BUJÃO	PLUG	TAPÓN	BOUCHON
11	32416119	1	1 BUJÃO	PLUG	TAPÓN	BOUCHON
12	32168212	1	1 BUJÃO	PLUG	TAPÓN	BOUCHON
13	3311R003	1	1 ARRUELA	WASHER	ARANDELA	RONDELLE
14	0350009	1	2 PINO GUIA	DOWEL	ESPIGA	PION
15	3271H004	1	1 EIXO	SHAFT	EJE	ARBRE
16	2116087	1	1 PINO GUIA	DOWEL	ESPIGA	PION
17	3627P023		1 PLACA INTERMEDIÁRIA	PLATE	PLACA	PLAQUE
18	2311D039		2 PARAFUSO	BOLT	TORNILLO	VIS
19	4126X124		6 TUBO INJETOR	PIPE	CAÑO	TUYAUTERIE
20	4138A017		6 VÁLVULA	VALVE	VALVULA	SOUPAPE
21	S1031		1 MOTOR PARCIAL	SHORT ENGINE	MOTOR PARCIAL	MOTEUR PARTIEL
21	S1032	MF 680	1 MOTOR PARCIAL	SHORT ENGINE	MOTOR PARCIAL	MOTEUR PARTIEL
	S1029	21	1 BLOCO CILINDROS	BLOCK	BLOQUE	BLOC
	S1027	21	1 ÁRVORE MANIVELAS	CRANKSHAFT ASSY	JG. CIGUENAL	VILEBREQUIN
	S1026	21 MF 680	1 ÁRVORE MANIVELAS	CRANKSHAFT ASSY	JG. CIGUENAL	VILEBREQUIN
	S1020	21	6 PISTÃO	PISTON	PISTON	PISTON
	S1016	21	6 JOGO DE ANÉIS	RING KIT	JUEGO AROS	CIRCLIP
	4236119	21	6 BIELA	CONNECTING ROD	BIELA	BIELLE

(A) CAMISA SEMI-ACABADA  
HALF-FINISHED LINER  
CAMISA SEMI-TERMINADA  
CHEMISE SEMI-FINIE

BLOCO DE CILINDROS  
CYLINDER BLOCK  
BLOQUE DE CILINDROS  
BLOC-CYLINDRES

GRUPO  
GROUP  
GRUPO  
GROUPE

11/104





**BLOCO DE CILINDROS**  
**CYLINDER BLOCK**  
**BLOQUE DE CILINDROS**  
**BLOC-CYLINDRES**

**GRUPO**  
**GROUP**  
**GRUPO**  
**GROUPE**

**11/104**

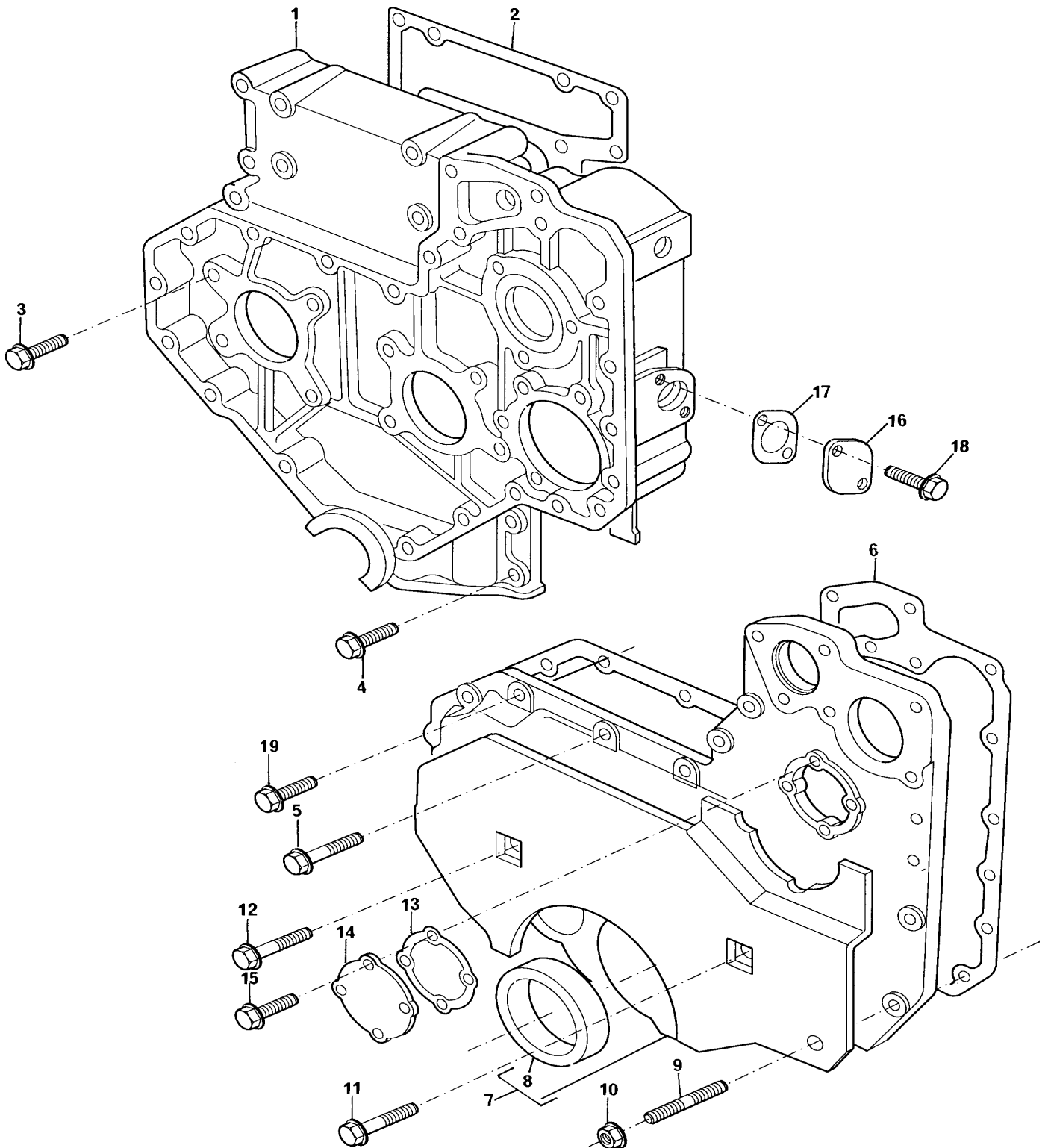
1	S1029		1 BLOCO	BLOCK	BLOQUE	BLOC
2	3135X042	1	6 CAMISA	LINER	CAMISA	CHEMISE
2	3135X041	(A)	X CAMISA	LINER	CAMISA	CHEMISE
3	33142111	1	14 ANEL LOCALIZADOR	THIMBLE	GUÍA	BAGUE
4	32166329	1	14 PARAFUSO	BOLT	TORNILLO	VIS
5	32418122	1	5 BUJÃO	PLUG	TAPÓN	BOUCHON
6	31134165	1	1 BUCHA	BUSH	BUJE	BAGUE
7	32418122	1	7 BUJÃO	PLUG	TAPÓN	BOUCHON
8	32416118	1	5 BUJÃO	PLUG	TAPÓN	BOUCHON
9	2485A204	1	1 BUJÃO	PLUG	TAPÓN	BOUCHON
10	32417134	1	1 BUJÃO	PLUG	TAPÓN	BOUCHON
11	32416119	1	1 BUJÃO	PLUG	TAPÓN	BOUCHON
12	32168212	1	1 BUJÃO	PLUG	TAPÓN	BOUCHON
13	3311R003	1	1 ARRUELA	WASHER	ARANDELA	RONDELLE
14	0350009	1	2 PINO GUIA	DOWEL	ESPIGA	PION
15	3271H004	1	1 EIXO	SHAFT	EJE	ARBRE
16	2116087	1	1 PINO GUIA	DOWEL	ESPIGA	PION
17	2487001		6 BUJÃO	PLUG	TAPON	BOUCHON
18	3627P023		1 PLACA INTERMEDIÁRIA	PLATE	PLACA	PLAQUE
19	2311D039		2 PARAFUSO	BOLT	TORNILLO	VIS
20	S1030		1 MOTOR PARCIAL	SHORT ENGINE	MOTOR PARCIAL	MOTEUR PARTIEL
	S1029	20	1 BLOCO CILINDROS	BLOCK	BLOQUE	BLOC
	S1028	20	1 ÁRVORE MANIVELAS	CRANKSHAFT ASSY	JG. CIGUENAL	VILEBREQUIN
	S1022	20	6 PISTÃO	PISTON	PISTON	PISTON
	S1015	20	6 JOGO DE ANÉIS	RING KIT	JUEGO AROS	CIRCLIP
	424804	20	6 BIELA	CONNECTING ROD	BIELA	BIELLE

(A) CAMISA SEMI-ACABADA  
 HALF-FINISHED LINER  
 CAMISA SEMI-TERMINADA  
 CHEMISE SEMI-FINIE

CAIXA DE DISTRIBUIÇÃO  
TIMING CASE  
CAJA DE DISTRIBUCIÓN  
CARTER DE LA DISTRIBUTION

GRUPO  
GROUP  
GRUPO  
GROUPE

12/68



CAIXA DE DISTRIBUIÇÃO  
TIMING CASE  
CAJA DE DISTRIBUCIÓN  
CARTER DE LA DISTRIBUTION

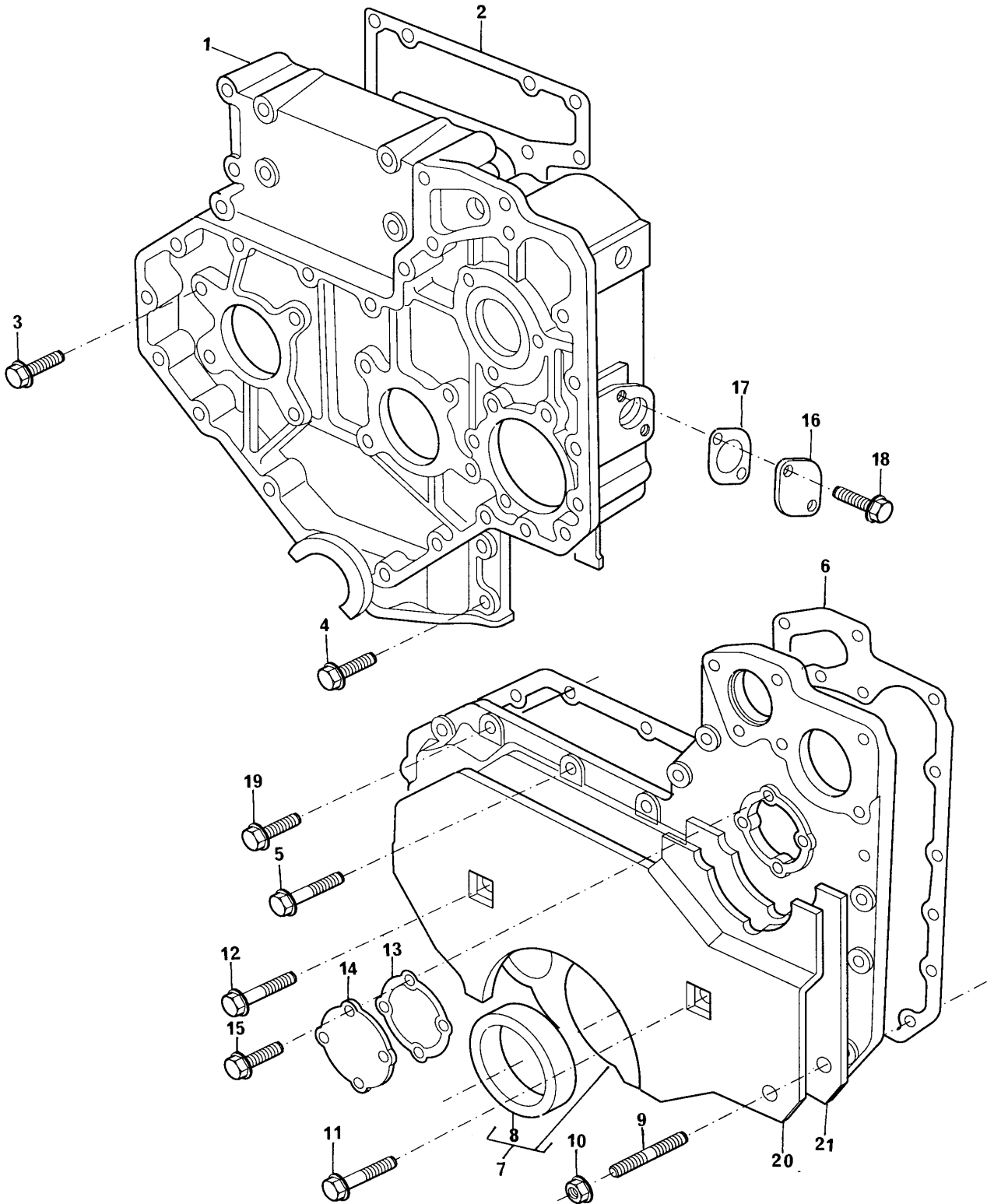
GRUPO  
GROUP 12/68  
GRUPO  
GROUPE

1	3716C033	1	CAIXA	BOX	CAJA	CARTER
2	3681P009	1	JUNTA	JOINT	JUNTA	JOINT
3	2314H003	8	PARAFUSO	BOLT	TORNILLO	VIS
4	2314H004	5	PARAFUSO	BOLT	TORNILLO	VIS
5	2314H005	8	PARAFUSO	BOLT	TORNILLO	VIS
6	3681P011	1	JUNTA	JOINT	JUNTA	JOINT
7	4142A143	1	TAMPA	COVER	TAPA	COUVERCLE
8	70730043	1	RETENTOR	SEAL	RETÉN	BAGUÉ ÉTANCHÉITE
9	2313M058	2	PRISIONEIRO	STUD	ESPÁRRAGO	GOUJON
10	2318A603	2	PORCA	NUT	TUERCA	ÉCROU
11	2314K161	2	PARAFUSO	BOLT	TORNILLO	VIS
12	2314H013	7	PARAFUSO	BOLT	TORNILLO	VIS
13	3682H003	1	JUNTA	JOINT	JUNTA	JOINT
14	3753R111	1	TAMPA	COVER	TAPA	COUVERCLE
15	2314F036	4	PARAFUSO	BOLT	TORNILLO	VIS
16	3617A001	1	TAMPA	COVER	TAPA	COUVERCLE
17	3683H006	1	JUNTA	JOINT	JUNTA	JOINT
18	2314H003	2	PARAFUSO	BOLT	TORNILLO	VIS
19	2314J004	1	PARAFUSO	BOLT	TORNILLO	VIS

CAIXA DE DISTRIBUIÇÃO  
TIMING CASE  
CAJA DE DISTRIBUCIÓN  
CARTER DE LA DISTRIBUTION

GRUPO  
GROUP  
GRUPO  
GROUPE

12/70



CAIXA DE DISTRIBUIÇÃO  
TIMING CASE  
CAJA DE DISTRIBUCIÓN  
CARTER DE LA DISTRIBUTION

GRUPO  
GROUP  
GRUPO  
GROUPE

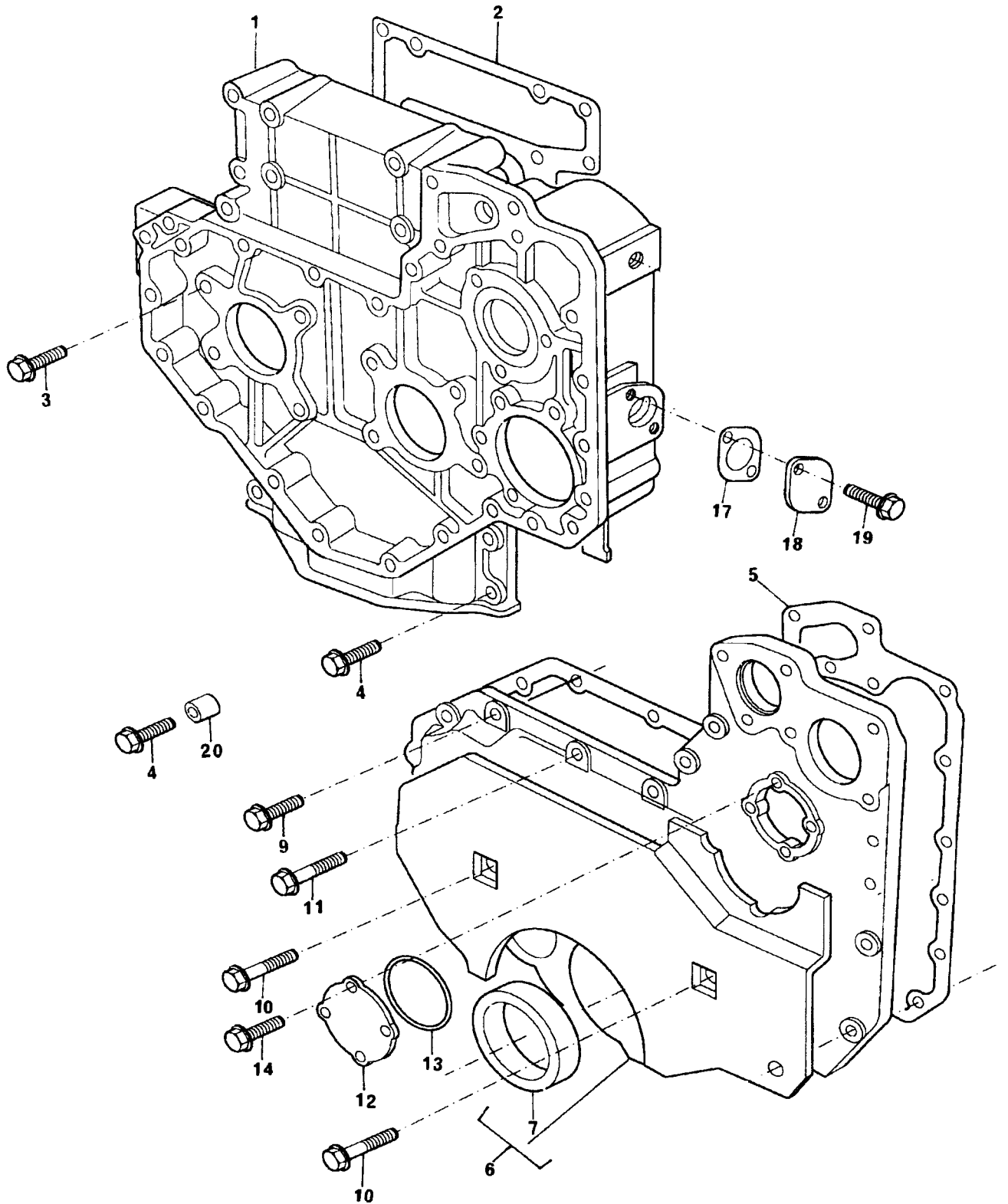
12/70

1	3716C033	1 CAIXA	BOX	CAJA	CARTER
2	3681P009	1 JUNTA	JOINT	JUNTA	JOINT
3	2314H003	8 PARAFUSO	BOLT	TORNILLO	VIS
4	2314H004	5 PARAFUSO	BOLT	TORNILLO	VIS
5	2314H005	8 PARAFUSO	BOLT	TORNILLO	VIS
6	3681P011	1 JUNTA	JOINT	JUNTA	JOINT
7	4142A143	1 TAMP	COVER	TAPA	COUVERCLE
8	70730043	1 RETENTOR	SEAL	RETÉN	BAGUÉ ÉTANCHÉITE
9	2313M058	2 PRISIONEIRO	STUD	ESPÁRRAGO	GOUJON
10	2318A603	2 PORCA	NUT	TUERCA	ÉCROU
11	2314K161	2 PARAFUSO	BOLT	TORNILLO	VIS
12	2314H013	7 PARAFUSO	BOLT	TORNILLO	VIS
13	3682H003	1 JUNTA	JOINT	JUNTA	JOINT
14	3753R111	1 TAMP	COVER	TAPA	COUVERCLE
15	2314F036	4 PARAFUSO	BOLT	TORNILLO	VIS
16	3617A001	1 TAMP	COVER	TAPA	COUVERCLE
17	3683H006	1 JUNTA	JOINT	JUNTA	JOINT
18	2314H003	2 PARAFUSO	BOLT	TORNILLO	VIS
19	2314F003	2 PARAFUSO	BOLT	TORNILLO	VIS
20	3781N005	1 AMORTECEDOR	DAMPER	AMORTIGUADOR	AMORTISSEUR
21	3781N013	1 JUNTA ANTI-RUÍDO	JOINT	JUNTA	JOINT

CAIXA DE DISTRIBUIÇÃO  
TIMING CASE  
CAJA DE DISTRIBUCIÓN  
CARTER DE LA DISTRIBUTION

GRUPO  
GROUP  
GRUPO  
GROUPE

12/88



CAIXA DE DISTRIBUIÇÃO  
 TIMING CASE  
 CAJA DE DISTRIBUCIÓN  
 CARTER DE LA DISTRIBUTION

GRUPO  
 GROUP  
 GRUPO  
 GROUPE

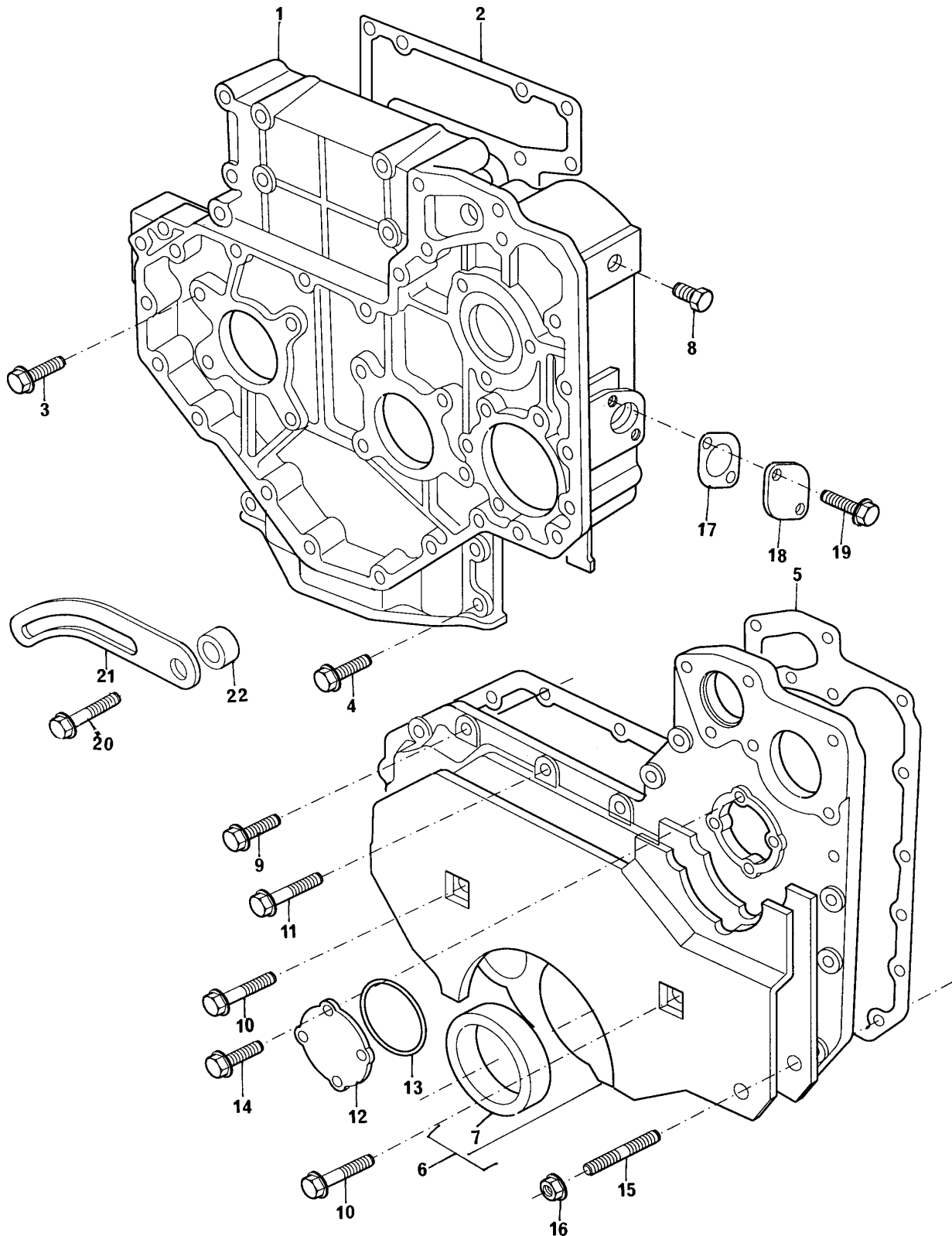
12/88

1	3716C242		1	CAIXA	BOX	CAJA	CARTER
2	3681P009		1	JUNTA	JOINT	JUNTA	JOINT
3	2314H003	M8X20	8	PARAFUSO	BOLT	TORNILLO	VIS
4	2314H004	M8X25	5	PARAFUSO	BOLT	TORNILLO	VIS
5	3681P011		1	JUNTA	JOINT	JUNTA	JOINT
6	4142A171		1	TAMPA	COVER	TAPA	COUVERCLE
7	70730043		1	RETENTOR	SEAL	RETÉN	BAGUÉ ÉTANCHÉITE
9	2314H005	M8X30	9	PARAFUSO	BOLT	TORNILLO	VIS
10	2314H034		2	PARAFUSO	BOLT	TORNILLO	VIS
11	2314H013	M8X70	9	PARAFUSO	BOLT	TORNILLO	VIS
12	4152A002		1	TAMPA	COVER	TAPA	COUVERCLE
13	2415A093		1	ANEL "O"	"O" RING	ARO SELLO	JOINT TORIQUE
14	2314F036	M6X25	4	PARAFUSO	BOLT	TORNILLO	VIS
17	3683H006		1	JUNTA	JOINT	JUNTA	JUNTA
18	3617A001		1	TAMPA	COVER	TAPA	COUVERCLE
19	2314H003	M8X20	2	PARAFUSO	BOLT	TORNILLO	VIS
20	33131412		2	ESPAÇADOR	SPACER	ESPACIADOR	ENTRETOISE

CAIXA DE DISTRIBUIÇÃO  
TIMING CASE  
CAJA DE DISTRIBUCIÓN  
CARTER DE LA DISTRIBUTION

GRUPO  
GROUP  
GRUPO  
GROUPE

12/89





CAIXA DE DISTRIBUIÇÃO  
TIMING CASE  
CAJA DE DISTRIBUCIÓN  
CARTER DE LA DISTRIBUTION

GRUPO  
GROUP  
GRUPO  
GROUPE

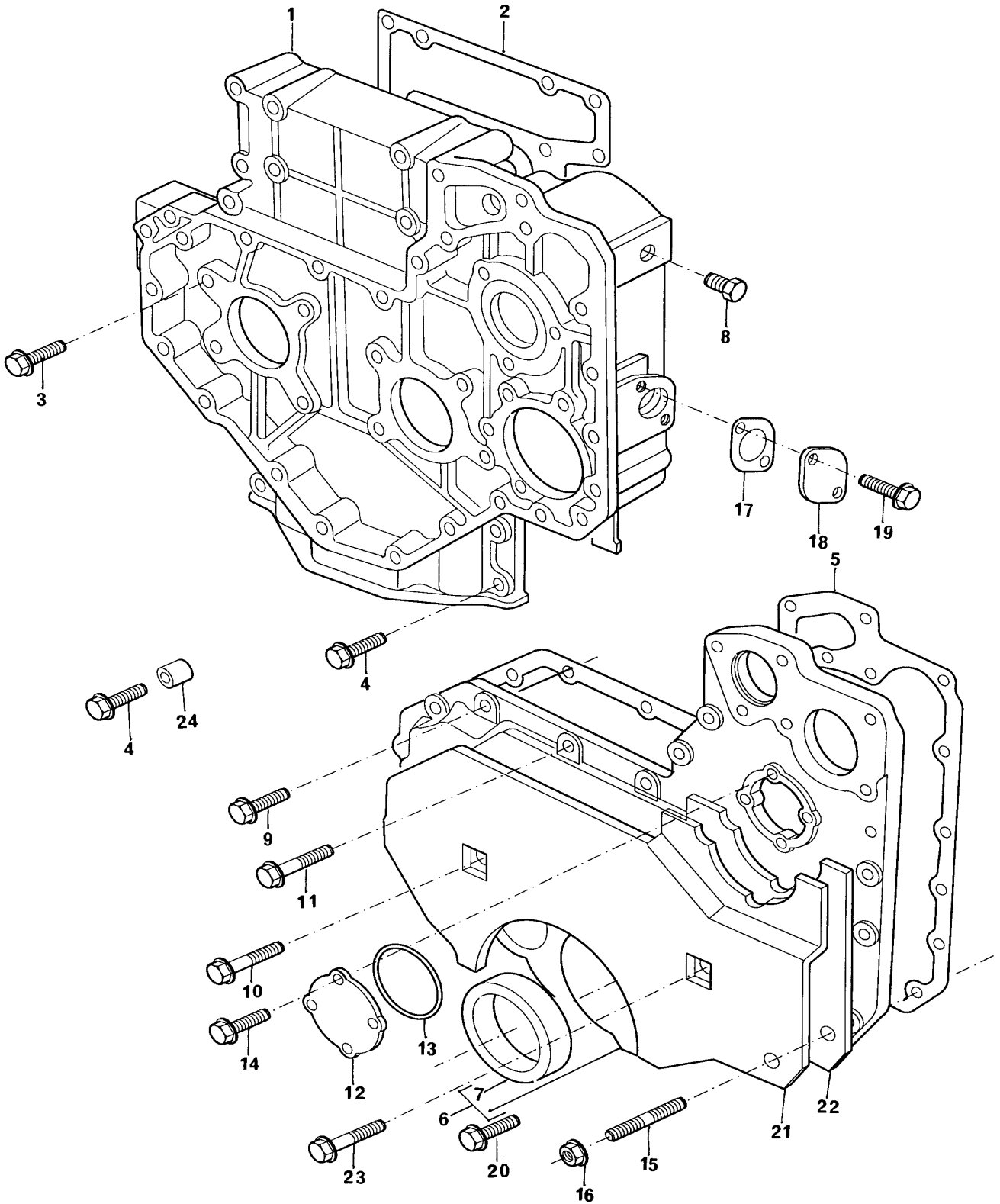
12/89

1	3716C242		1	CAIXA	BOX	CAJA	CARTER
2	3681P009		1	JUNTA	JOINT	JUNTA	JOINT
3	2314H003	M8X20	8	PARAFUSO	BOLT	TORNILLO	VIS
4	2314H004	M8X25	5	PARAFUSO	BOLT	TORNILLO	VIS
5	3681P011		1	JUNTA	JOINT	JUNTA	JOINT
6	4142A171		1	TAMPA	COVER	TAPA	COUVERCLE
7	70730043	6	1	RETENTOR	SEAL	RETÉN	BAGUÉ ÉTANCHÉITE
8	2487C502		2	BUJÃO	PLUG	TAPON	BOUCHON
9	2314H005	M8X30	8	PARAFUSO	BOLT	TORNILLO	VIS
10	2314H034		2	PARAFUSO	BOLT	TORNILLO	VIS
11	2314H013	M8X70	7	PARAFUSO	BOLT	TORNILLO	VIS
12	4152A002		1	TAMPA	COVER	TAPA	COUVERCLE
13	2415A093	12	1	ANEL "O"	"O" RING	ARO SELLO	JOINT TORIQUE
14	2314F036	M6X25	4	PARAFUSO	BOLT	TORNILLO	VIS
15	3211P004		3	PRISIONEIRO	STUD	ESPÁRRAGO	GOUJON
16	2318A603		3	PORCA	NUT	TUERCA	ÉCROU
17	3683H006		1	JUNTA	JOINT	JUNTA	JOINT
18	3617A001		1	TAMPA	COVER	TAPA	COUVERCLE
19	2314H003	M8X20	2	PARAFUSO	BOLT	TORNILLO	VIS
20	2314K161	M8X60	2	PARAFUSO	BOLT	TORNILLO	VIS
21	36178134		1	ALAVANCA	LEVER	PALANCA	LEVIER
22	33135422		2	ESPAÇADOR	SPACER	ESPACIADOR	ENTRETOISE

CAIXA DE DISTRIBUIÇÃO  
TIMING CASE  
CAJA DE DISTRIBUCIÓN  
CARTER DE LA DISTRIBUTION

GRUPO  
GROUP  
GRUPO  
GROUPE

12/90



CAIXA DE DISTRIBUIÇÃO  
TIMING CASE  
CAJA DE DISTRIBUCIÓN  
CARTER DE LA DISTRIBUTION

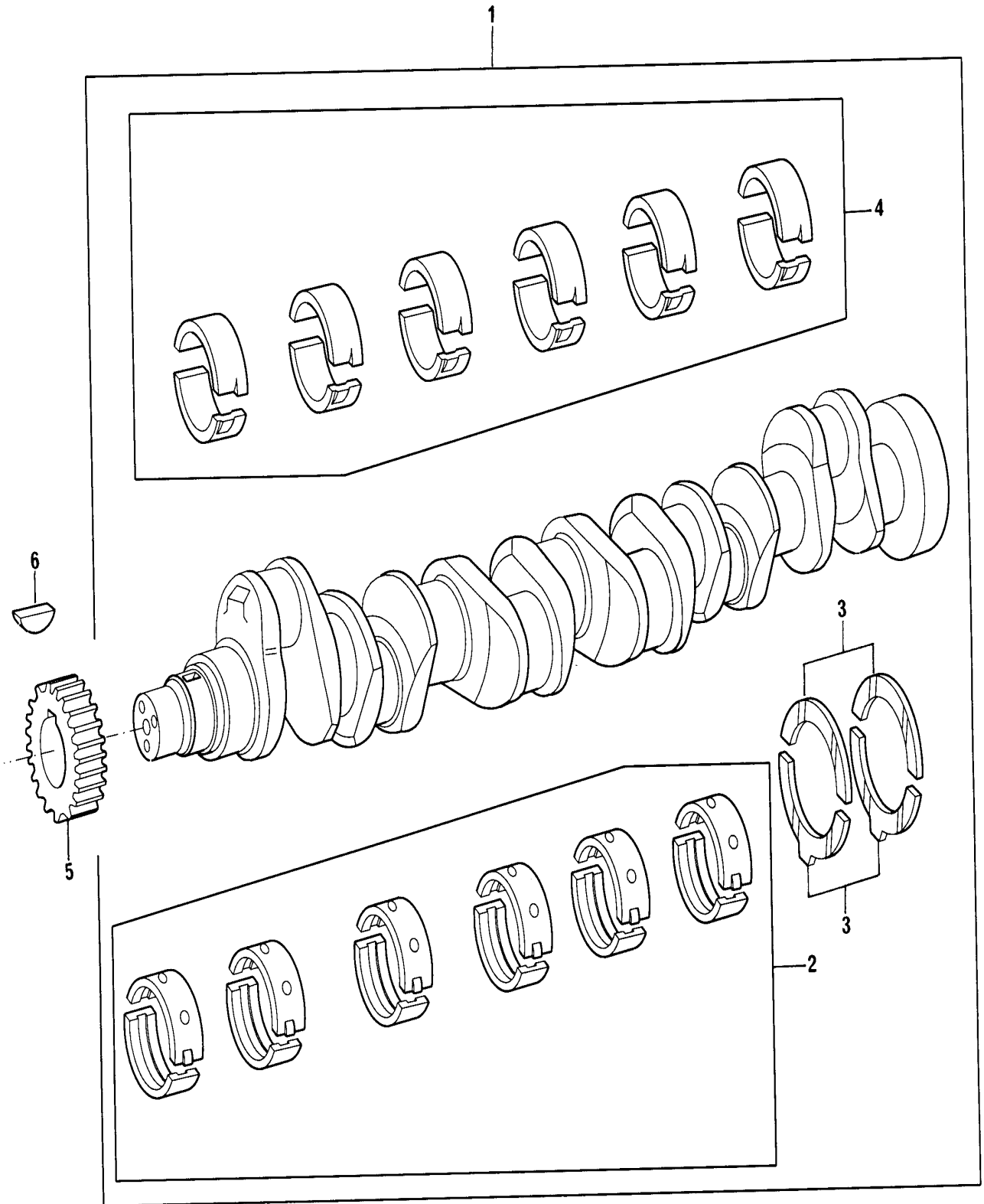
GRUPO  
GROUP 12/90  
GRUPO  
GROUPE

1	3716C242		1 CAIXA	BOX	CAJA	CARTER
2	3681P009		1 JUNTA	JOINT	JUNTA	JOINT
3	2314H003	M8X20	8 PARAFUSO	BOLT	TORNILLO	VIS
4	2314H004	M8X25	5 PARAFUSO	BOLT	TORNILLO	VIS
5	3681P011		1 JUNTA	JOINT	JUNTA	JOINT
6	4142A171		1 TAMPÁ	COVER	TAPA	COUVERCLE
7	70730043	6	1 RETENTOR	SEAL	RETÉN	BAGUÉ ÉTANCHÉITE
8	2487C502		2 BUJÃO	PLUG	TAPON	BOUCHON
9	2314H005	M8X30	8 PARAFUSO	BOLT	TORNILLO	VIS
10	2314H034		2 PARAFUSO	BOLT	TORNILLO	VIS
11	2314H013	M8X70	9 PARAFUSO	BOLT	TORNILLO	VIS
12	4152A002		1 TAMPÁ	COVER	TAPA	COUVERCLE
13	2415A093	12	1 ANEL "O"	"O" RING	ARO SELLO	JOINT TORIQUE
14	2314F036	M6X25	4 PARAFUSO	BOLT	TORNILLO	VIS
15	3211P004		3 PRISIONEIRO	STUD	ESPÁRRAGO	GOUJON
16	2318A603		3 PORCA	NUT	TUERCA	ÉCROU
17	3683H006		1 JUNTA	JOINT	JUNTA	JOINT
18	3617A001		1 TAMPÁ	COVER	TAPA	COUVERCLE
19	2314H003	M8X20	2 PARAFUSO	BOLT	TORNILLO	VIS
20	2314J011	M8X60	4 PARAFUSO	BOLT	TORNILLO	VIS
21	3781N042		1 AMORTECEDOR	DAMPER	AMORTIGUADOR	AMORTISSEUR
22	3781N043		1 PROTETOR	PROTECTOR	PROTECTOR	PROTECTEUR
23	2314F003		2 PARAFUSO	BOLT	TORNILLO	VIS
24	33131412		2 ESPAÇADOR	SPACER	ESPACIADOR	ENTRETOISE

ÁRVORE DE MANIVELAS  
CRANKSHAFT  
CIGUEÑÁL  
VILEBREQUIN

GRUPO  
GROUP  
GRUPO  
GROUPE

13/44



ÁRVORE DE MANIVELAS  
 CRANKSHAFT  
 CIGUEÑAL  
 VILEBREQUIN

GRUPO  
 GROUP  
 GRUPO  
 GROUPE

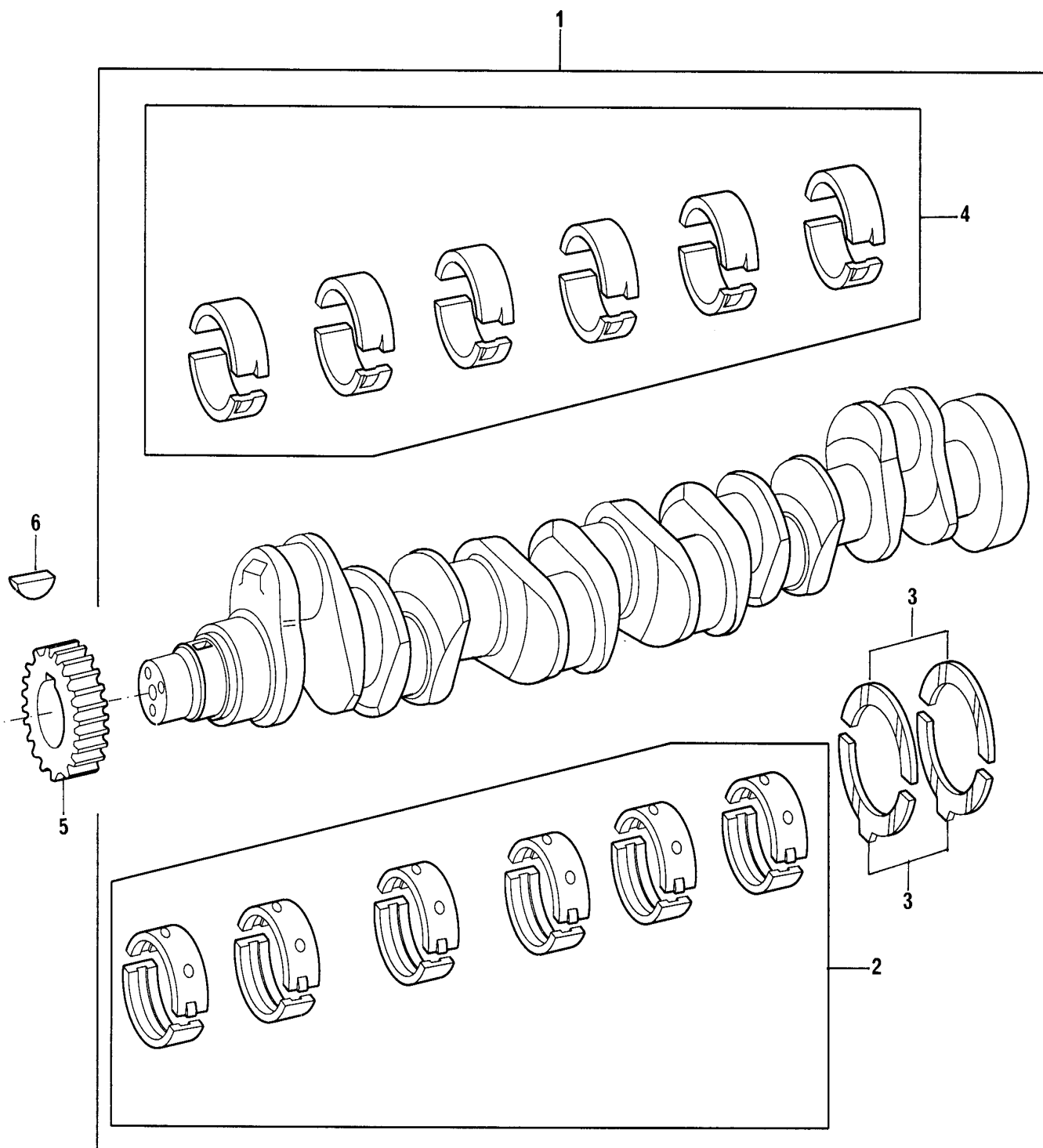
13/44

1	ZZ90087		1	ÁRVORE MANIVELAS	CRANKSHAFT	CIGUEÑAL	VILEBREQUIN
2	635436	1	1	JG. CASQUILHOS	BEARING KIT	JUEGO COJINETES	JEU COUSSINETS
2	635436	A	▼ ▲	X JG. CASQUILHOS	BEARING KIT	JUEGO COJINETES	JEU COUSSINETS
2	635436	B	▼ ▲	X JG. CASQUILHOS	BEARING KIT	JUEGO COJINETES	JEU COUSSINETS
2	635436	C	▼ ▲	X JG. CASQUILHOS	BEARING KIT	JUEGO COJINETES	JEU COUSSINETS
3	424808	1		2 JG. ARRUELAS	WASHER KIT	JUEGO ARANDELAS	JEU RONDELLES
3	424808	A	▼ ▲	X JG. ARRUELAS	WASHER KIT	JUEGO ARANDELAS	JEU RONDELLES
4	635437	1		1 JG. CASQUILHOS	BEARING KIT	JUEGO COJINETES	JEU COUSSINETS
4	635437	A	▼ ▲	X JG. CASQUILHOS	BEARING KIT	JUEGO COJINETES	JEU COUSSINETS
4	635437	B	▼ ▲	X JG. CASQUILHOS	BEARING KIT	JUEGO COJINETES	JEU COUSSINETS
4	635437	C	▼ ▲	X JG. CASQUILHOS	BEARING KIT	JUEGO COJINETES	JEU COUSSINETS
5	3117C061			1 ENGRANAGEM	GEAR	ENGRANAJE	PIGNON
6	0500012			1 CHAVETA	KEY	CHAVETA	CLAVETTE

ÁRVORE DE MANIVELAS  
CRANKSHAFT  
CIGUEÑÁL  
VILEBREQUIN

GRUPO  
GROUP  
GRUPO  
GROUPE

13/45



**ÁRVORE DE MANIVELAS**  
**CRANKSHAFT**  
**CIGUEÑAL**  
**VILEBREQUIN**

**GRUPO**  
**GROUP**  
**GRUPO**  
**GROUPE**

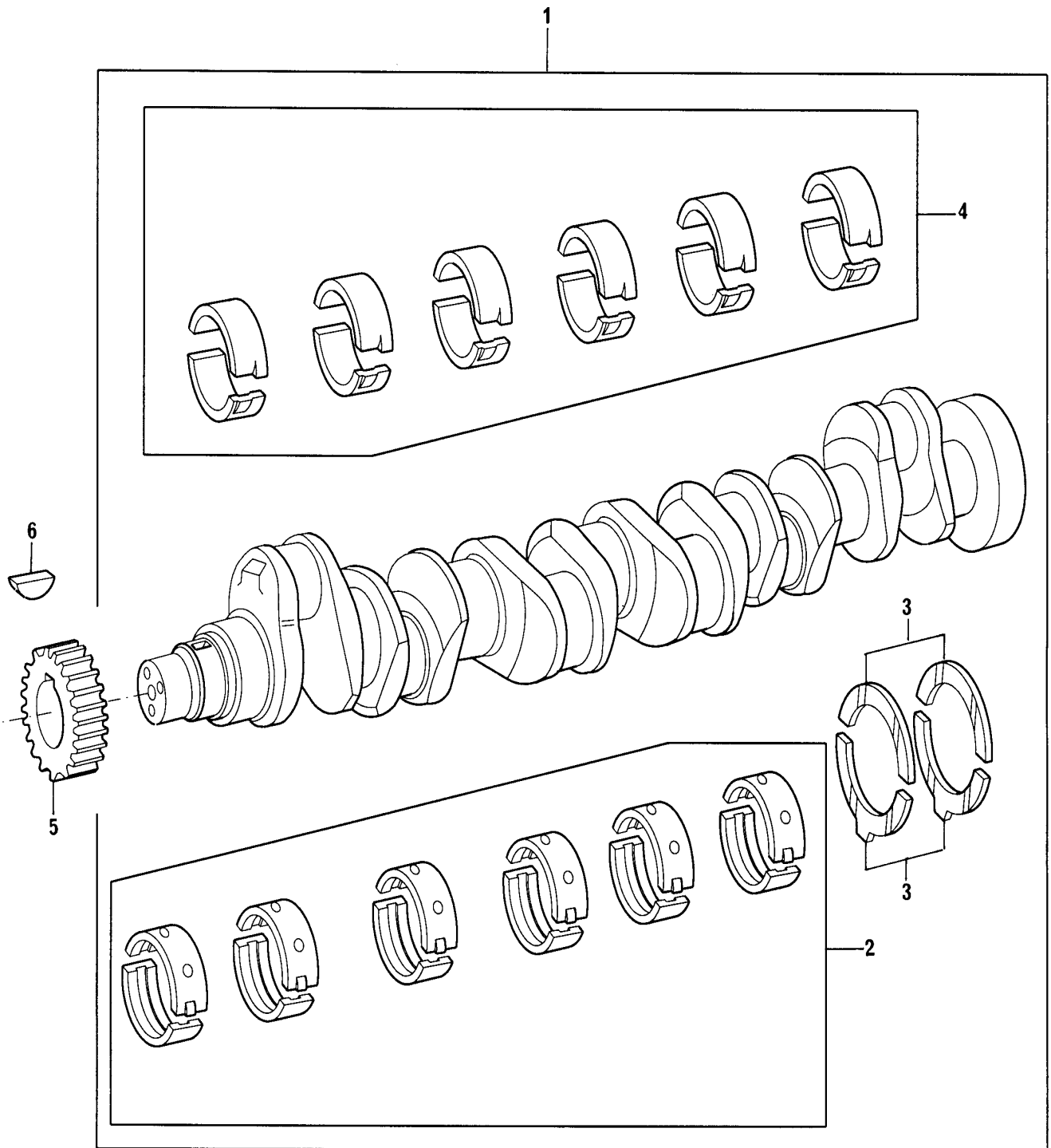
13/45

1	ZZ90085			1	ÁRVORE MANIVELAS	CRANKSHAFT	CIGUEÑAL	VILEBREQUIN
2	635436	1		1	JG. CASQUILHOS	BEARING KIT	JUEGO COJINETES	JEU COUSSINETS
2	635436	A	Δ + . 010"	X	JG. CASQUILHOS	BEARING KIT	JUEGO COJINETES	JEU COUSSINETS
2	635436	B	Δ + . 020"	X	JG. CASQUILHOS	BEARING KIT	JUEGO COJINETES	JEU COUSSINETS
2	635436	C	Δ + . 030"	X	JG. CASQUILHOS	BEARING KIT	JUEGO COJINETES	JEU COUSSINETS
3	424808	1		2	JG. ARRUELAS	WASHER KIT	JUEGO ARANDELAS	JEU RONDELLES
3	424808	A	Δ + . 0075"	X	JG. ARRUELAS	WASHER KIT	JUEGO ARANDELAS	JEU RONDELLES
4	635474	1		1	JG. CASQUILHOS	BEARING KIT	JUEGO COJINETES	JEU COUSSINETS
4	635474	A	Δ + . 010"	X	JG. CASQUILHOS	BEARING KIT	JUEGO COJINETES	JEU COUSSINETS
4	635474	B	Δ + . 020"	X	JG. CASQUILHOS	BEARING KIT	JUEGO COJINETES	JEU COUSSINETS
4	635474	C	Δ + . 030"	X	JG. CASQUILHOS	BEARING KIT	JUEGO COJINETES	JEU COUSSINETS
5	3117C061			1	ENGRENAGEM	GEAR	ENGRANAJE	PIGNON
6	0500012			1	CHAVETA	KEY	CHAVETA	CLAVETTE

ÁRVORE DE MANIVELAS  
CRANKSHAFT  
CIGUEÑAL  
VILEBREQUIN

GRUPO  
GROUP  
GRUPO  
GROUPE

13/52





**ÁRVORE DE MANIVELAS**  
**CRANKSHAFT**  
**CIGUEÑAL**  
**VILEBREQUIN**

**GRUPO**  
**GROUP**  
**GRUPO**  
**GROUPE**

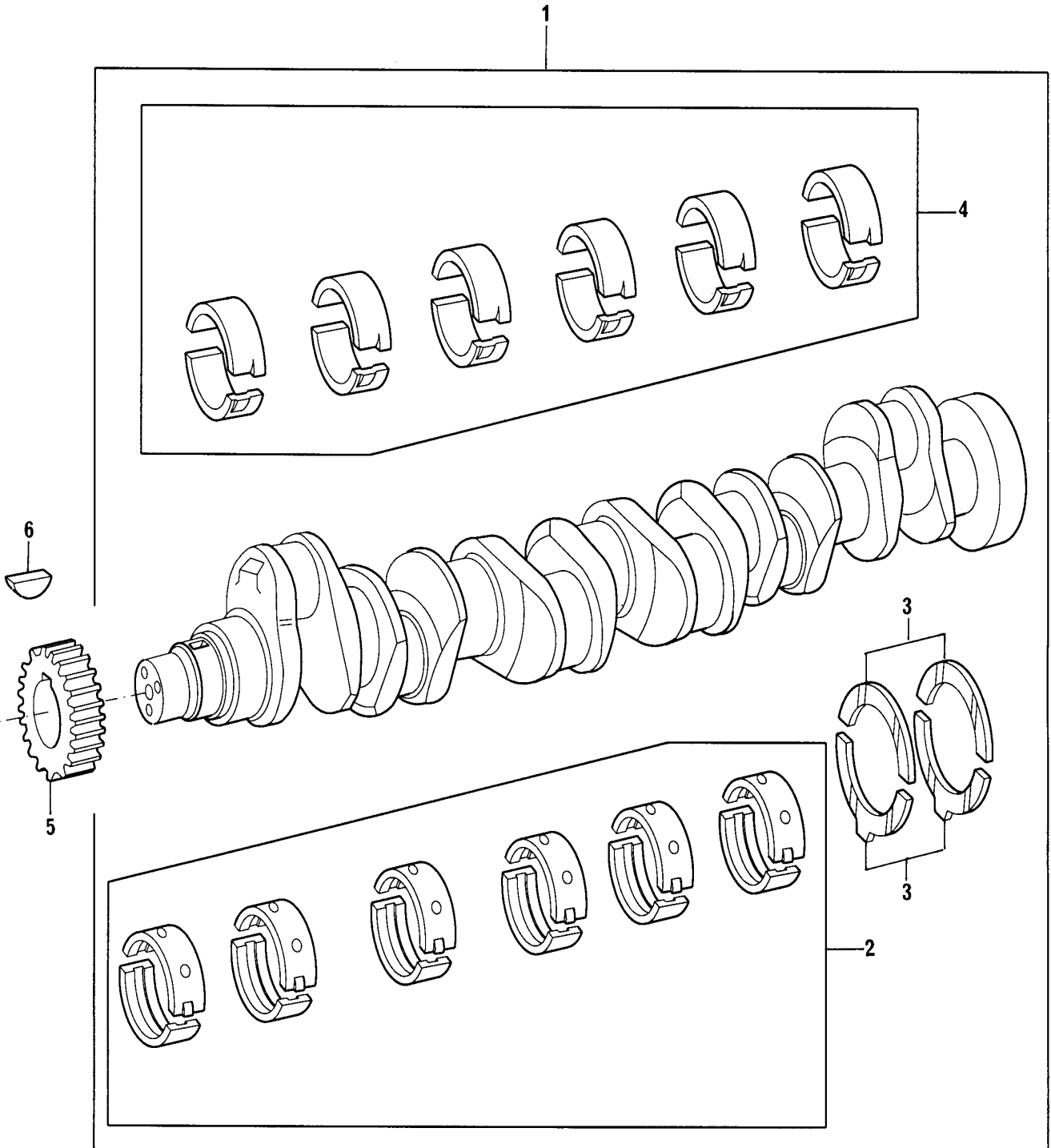
13/52

1	ZZ90141			1	ÁRVORE MANIVELAS	CRANKSHAFT	CIGUEÑAL	VILEBREQUIN
2	U5MB0010	1		1	JG. CASQUILHOS	BEARING KIT	JUEGO COJINETES	JEU COUSSINETS
2	U5MB0010 A		▼ + . 010"	X	JG. CASQUILHOS	BEARING KIT	JUEGO COJINETES	JEU COUSSINETS
2	U5MB0010 B		▼ + . 020"	X	JG. CASQUILHOS	BEARING KIT	JUEGO COJINETES	JEU COUSSINETS
2	U5MB0010 C		▼ + . 030"	X	JG. CASQUILHOS	BEARING KIT	JUEGO COJINETES	JEU COUSSINETS
3	424808	1		1	JG. ARRUELAS	WASHER KIT	JUEGO ARANDELAS	JEU RONDELLES
3	424808 A		▼ + . 0075"	X	JG. ARRUELAS	WASHER KIT	JUEGO ARANDELAS	JEU RONDELLES
4	635474	1		1	JG. CASQUILHOS	BEARING KIT	JUEGO COJINETES	JEU COUSSINETS
4	635474 A		▼ + . 010"	X	JG. CASQUILHOS	BEARING KIT	JUEGO COJINETES	JEU COUSSINETS
4	635474 B		▼ + . 020"	X	JG. CASQUILHOS	BEARING KIT	JUEGO COJINETES	JEU COUSSINETS
4	635474 C		▼ + . 030"	X	JG. CASQUILHOS	BEARING KIT	JUEGO COJINETES	JEU COUSSINETS
5	3117C061			1	ENGRENAGEM	GEAR	ENGRANAJE	PIGNON
6	0500012			1	CHAVETA	KEY	CHAVETA	CLAVETTE

ÁRVORE DE MANIVELAS  
CRANKSHAFT  
CIGUEÑAL  
VILEBREQUIN

GRUPO  
GROUP  
GRUPO  
GROUPE

13/62



**ÁRVORE DE MANIVELAS**  
**CRANKSHAFT**  
**CIGUEÑAL**  
**VILEBREQUIN**

**GRUPO**  
**GROUP**  
**GRUPO**  
**GROUPE**

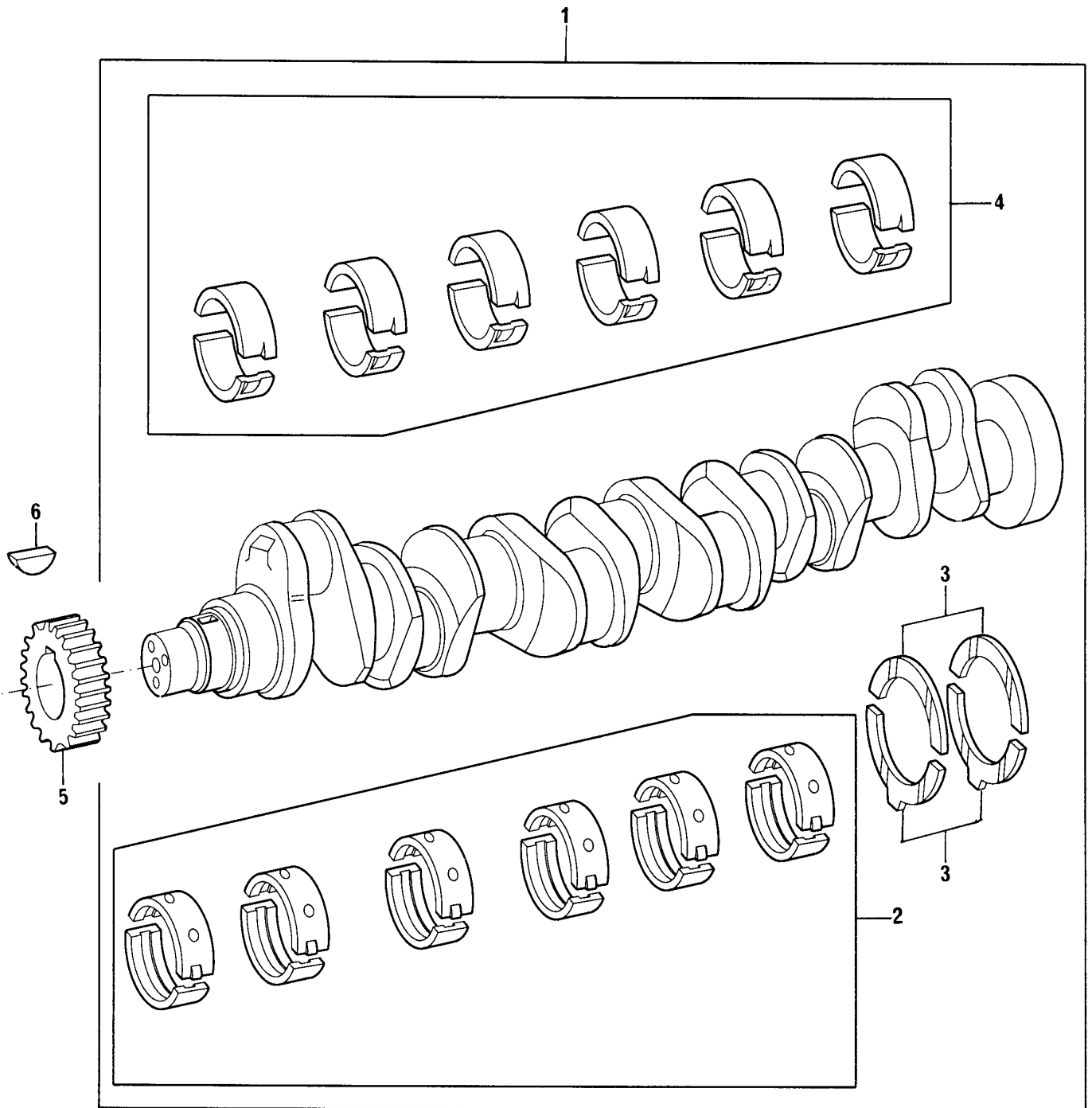
13/62

1	S1027			1	ÁRVORE MANIVELAS	CRANKSHAFT	CIGUEÑAL	VILEBREQUIN
2	S1025	1		1	JG. CASQUILHOS	BEARING KIT	JUEGO COJINETES	JEU COUSSINETS
2	S1025 A		▼ + . 010"	X	JG. CASQUILHOS	BEARING KIT	JUEGO COJINETES	JEU COUSSINETS
2	S1025 B		▼ + . 020"	X	JG. CASQUILHOS	BEARING KIT	JUEGO COJINETES	JEU COUSSINETS
2	S1025 C		▼ + . 030"	X	JG. CASQUILHOS	BEARING KIT	JUEGO COJINETES	JEU COUSSINETS
3	424808	1		1	JG. ARRUELAS	WASHER KIT	JUEGO ARANDELAS	JEU RONDELLES
3	424808 A		▼ + . 0075"	X	JG. ARRUELAS	WASHER KIT	JUEGO ARANDELAS	JEU RONDELLES
4	635474	1		1	JG. CASQUILHOS	BEARING KIT	JUEGO COJINETES	JEU COUSSINETS
4	635474 A		▼ + . 010"	X	JG. CASQUILHOS	BEARING KIT	JUEGO COJINETES	JEU COUSSINETS
4	635474 B		▼ + . 020"	X	JG. CASQUILHOS	BEARING KIT	JUEGO COJINETES	JEU COUSSINETS
4	635474 C		▼ + . 030"	X	JG. CASQUILHOS	BEARING KIT	JUEGO COJINETES	JEU COUSSINETS
5	3117C061			1	ENGRENAGEM	GEAR	ENGRANAJE	PIGNON
6	0500012			1	CHAVETA	KEY	CHAVETA	CLAVETTE

ÁRVORE DE MANIVELAS  
CRANKSHAFT  
CIGUEÑAL  
VILEBREQUIN

GRUPO  
GROUP  
GRUPO  
GROUPE

13/63



**ÁRVORE DE MANIVELAS**  
**CRANKSHAFT**  
**CIGUEÑAL**  
**VILEBREQUIN**

**GRUPO**  
**GROUP**  
**GRUPO**  
**GROUPE**

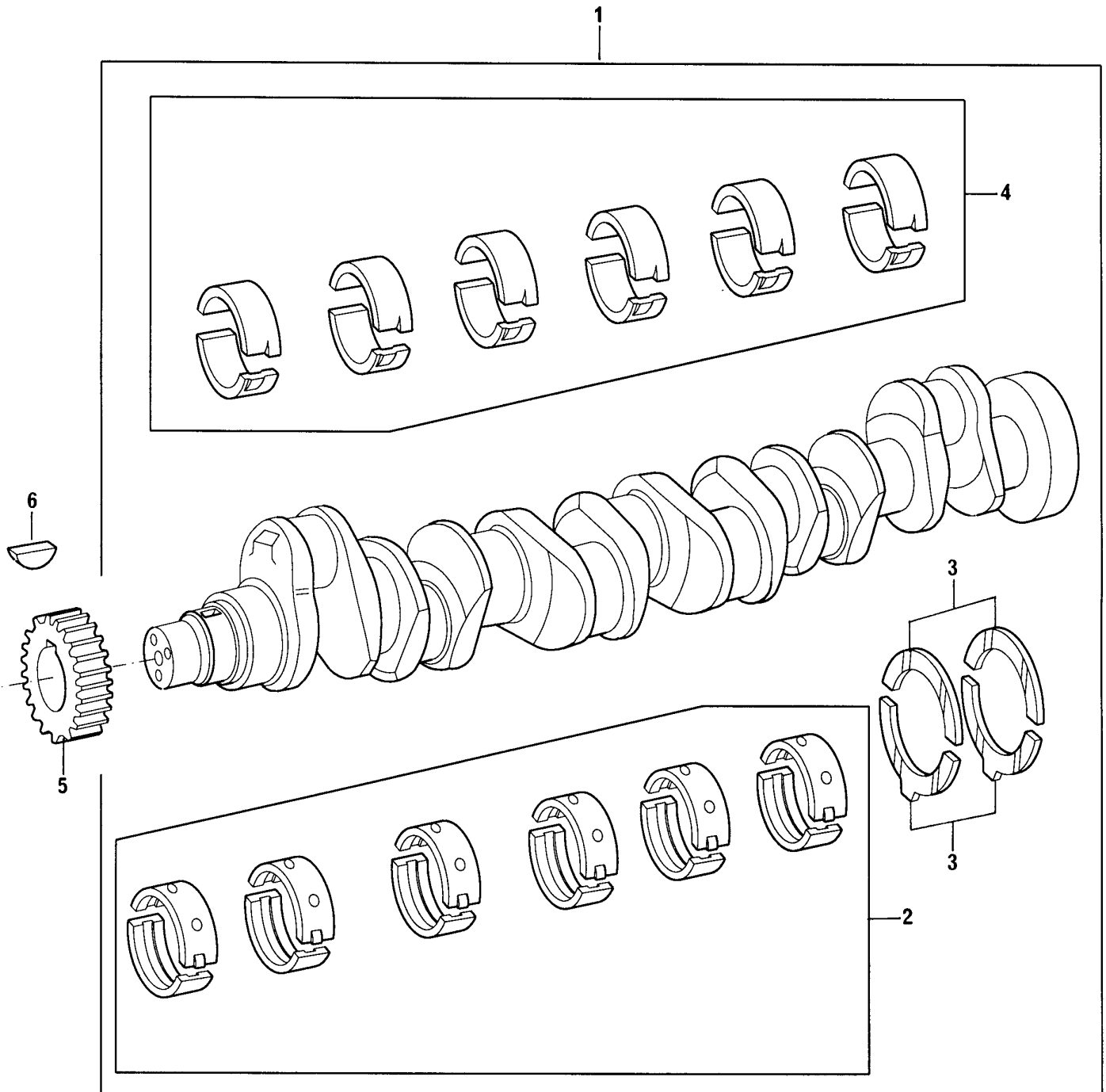
13/63

1	S1026			1	ÁRVORE MANIVELAS	CRANKSHAFT	CIGUEÑAL	VILEBREQUIN
2	S1024	1		1	JG. CASQUILHOS	BEARING KIT	JUEGO COJINETES	JEU COUSSINETS
2	S1024	A	▼ + . 010"	X	JG. CASQUILHOS	BEARING KIT	JUEGO COJINETES	JEU COUSSINETS
2	S1024	B	▼ + . 020"	X	JG. CASQUILHOS	BEARING KIT	JUEGO COJINETES	JEU COUSSINETS
2	S1024	C	▼ + . 030"	X	JG. CASQUILHOS	BEARING KIT	JUEGO COJINETES	JEU COUSSINETS
3	424808	1		1	JG. ARRUELAS	WASHER KIT	JUEGO ARANDELAS	JEU RONDELLES
3	424808	A	▼ + . 0075"	X	JG. ARRUELAS	WASHER KIT	JUEGO ARANDELAS	JEU RONDELLES
4	635474	1		1	JG. CASQUILHOS	BEARING KIT	JUEGO COJINETES	JEU COUSSINETS
4	635474	A	▼ + . 010"	X	JG. CASQUILHOS	BEARING KIT	JUEGO COJINETES	JEU COUSSINETS
4	635474	B	▼ + . 020"	X	JG. CASQUILHOS	BEARING KIT	JUEGO COJINETES	JEU COUSSINETS
4	635474	C	▼ + . 030"	X	JG. CASQUILHOS	BEARING KIT	JUEGO COJINETES	JEU COUSSINETS
5	3117C061			1	ENGRENAGEM	GEAR	ENGRANAJE	PIGNON
6	0500012			1	CHAVETA	KEY	CHAVETA	CLAVETTE

ÁRVORE DE MANIVELAS  
CRANKSHAFT  
CIGUEÑAL  
VILEBREQUIN

GRUPO  
GROUP  
GRUPO  
GROUPE

13/64



**ÁRVORE DE MANIVELAS  
CRANKSHAFT  
CIGUEÑAL  
VILEBREQUIN**

**GRUPO  
GROUP  
GRUPO  
GROUPE**

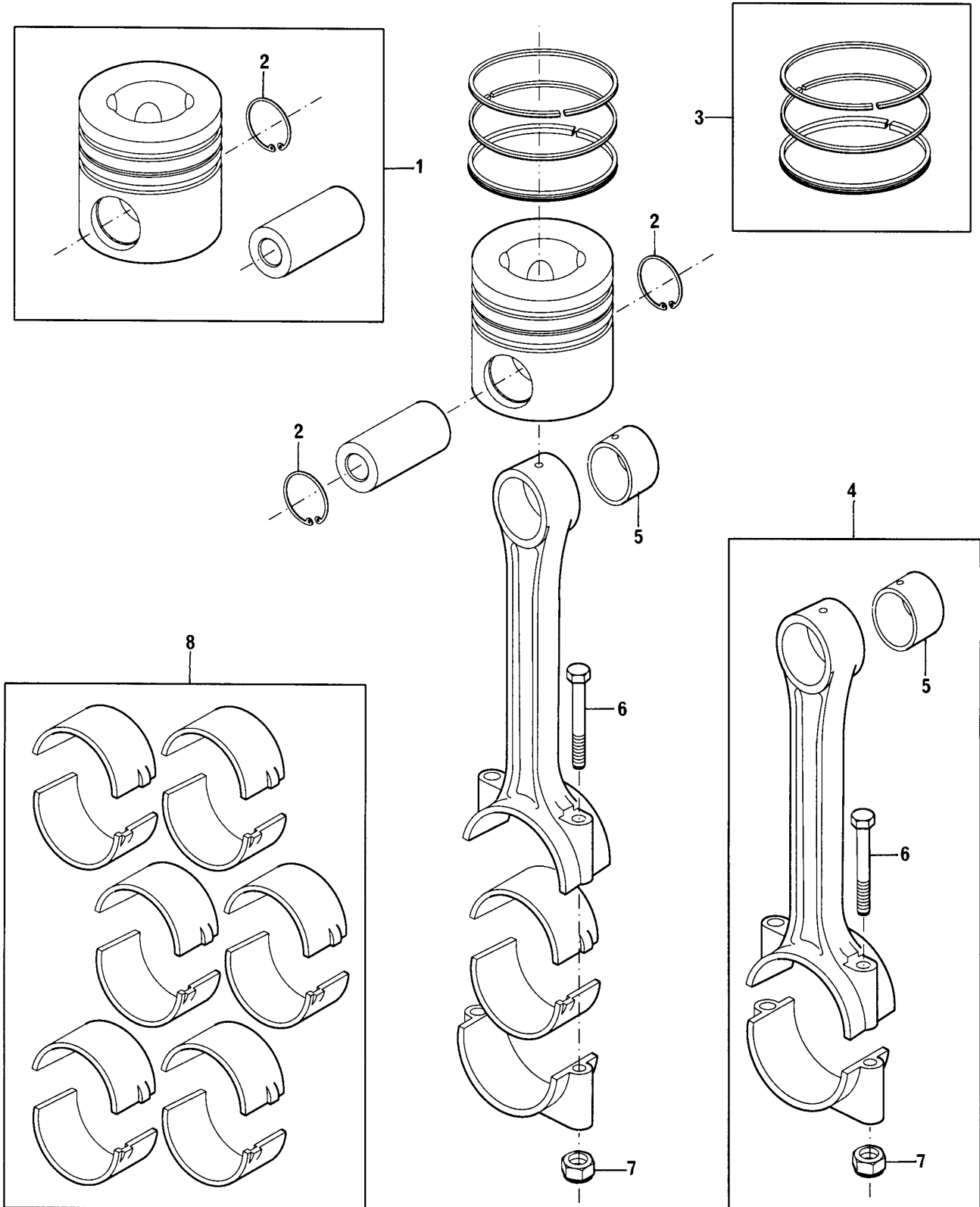
13/64

1	S1028			1	ÁRVORE MANIVELAS	CRANKSHAFT	CIGUEÑAL	VILEBREQUIN
2	S1025	1		1	JG. CASQUILHOS	BEARING KIT	JUEGO COJINETES	JEU COUSSINETS
2	S1025	A	Δ + . 010"	X	JG. CASQUILHOS	BEARING KIT	JUEGO COJINETES	JEU COUSSINETS
2	S1025	B	Δ + . 020"	X	JG. CASQUILHOS	BEARING KIT	JUEGO COJINETES	JEU COUSSINETS
2	S1025	C	Δ + . 030"	X	JG. CASQUILHOS	BEARING KIT	JUEGO COJINETES	JEU COUSSINETS
3	424808	1		1	JG. ARRUELAS	WASHER KIT	JUEGO ARANDELAS	JEU RONDELLES
3	424808	A	Δ + . 0075"	X	JG. ARRUELAS	WASHER KIT	JUEGO ARANDELAS	JEU RONDELLES
4	635437	1		1	JG. CASQUILHOS	BEARING KIT	JUEGO COJINETES	JEU COUSSINETS
4	635437	A	Δ + . 010"	X	JG. CASQUILHOS	BEARING KIT	JUEGO COJINETES	JEU COUSSINETS
4	635437	B	Δ + . 020"	X	JG. CASQUILHOS	BEARING KIT	JUEGO COJINETES	JEU COUSSINETS
4	635437	C	Δ + . 030"	X	JG. CASQUILHOS	BEARING KIT	JUEGO COJINETES	JEU COUSSINETS
5	3117C061			1	ENGRENAGEM	GEAR	ENGRANAJE	PIGNON
6	0500012			1	CHAVETA	KEY	CHAVETA	CLAVETTE

PISTÕES E BIELAS  
PISTONS AND CONNECTING RODS  
PISTONES Y BIELAS  
PISTONES ET BIELLES

GRUPO  
GROUP  
GRUPO  
GROUPE

14/39





**PISTÕES E BIELAS**  
**PISTONS AND CONNECTING RODS**  
**PISTONES Y BIELAS**  
**PISTONES ET BIELLES**

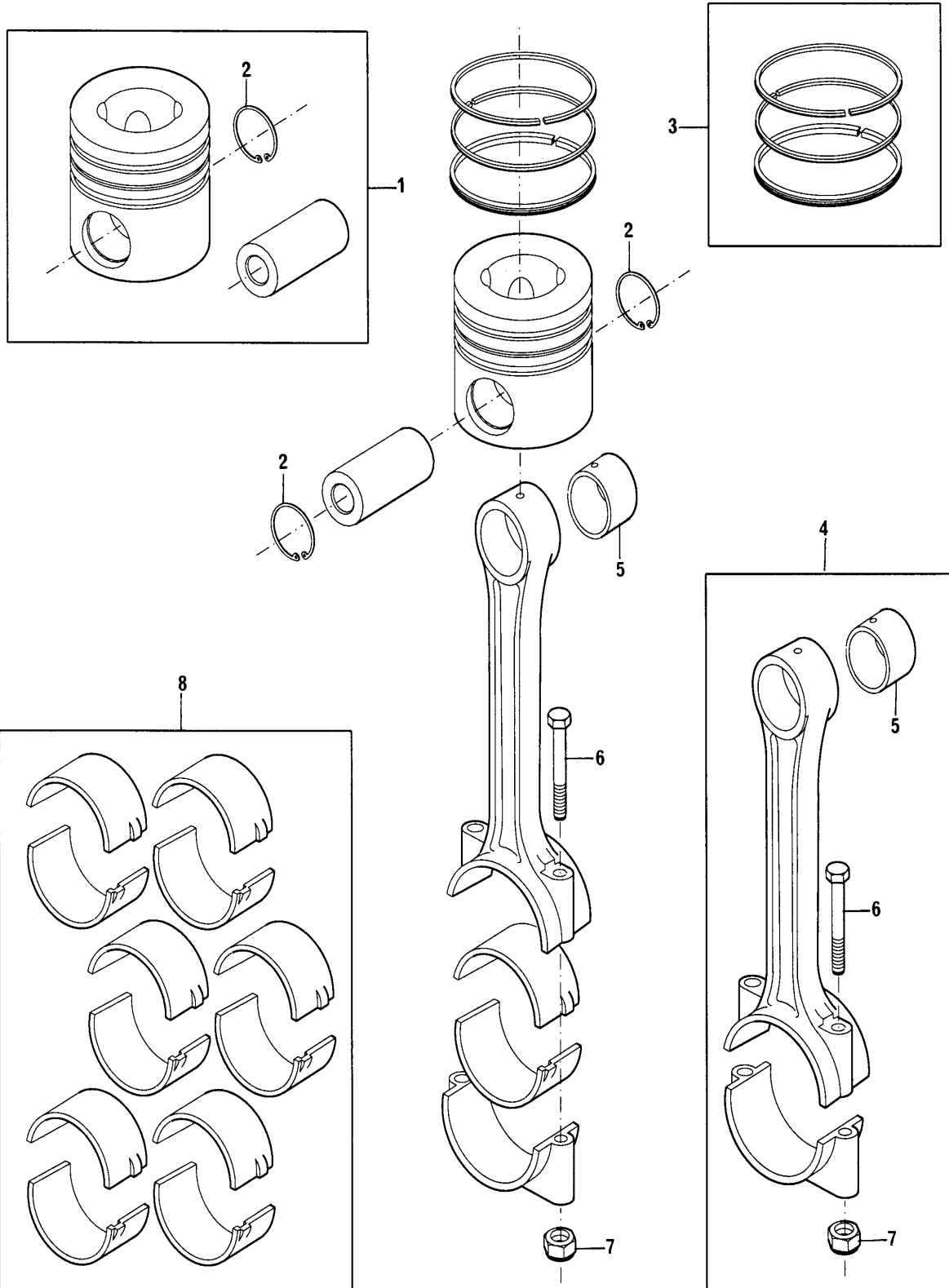
**GRUPO**  
**GROUP** **14/39**  
**GRUPO**  
**GROUPE**

1	S1019			6 PISTÃO	PISTON	PISTÓN	PISTON
2	70170035	1		12 ANEL TRAVA	CIRCLIP	ARO RETÉN	CIRCLIP
3	S1016			6 JOGO DE ANÉIS	RING KIT	JUEGO DE AROS	JEU DE SEGMENTS
4	4236119			6 BIELA - CONJUNTO	CONNECTING ROD	BIELA - CONJUNTO	BIELLE - ENSEMBLE
5	70998078	4		6 BUCHA	BUSH	BUJE	BAGUE
6	32762116	4		12 PARAFUSO	BOLT	TORNILLO	VIS
7	70570094	4		12 PORCA	NUT	TUERCA	ÉCROU
8	635474			1 JG. CASQUILHOS	BEARING KIT	JUEGO COJINETES	JEU COUSSINETS
8	635474 A		▼ + . 010"	X JG. CASQUILHOS	BEARING KIT	JUEGO COJINETES	JEU COUSSINETS
8	635474 B		▼ + . 020"	X JG. CASQUILHOS	BEARING KIT	JUEGO COJINETES	JEU COUSSINETS
8	635474 C		▼ + . 030"	X JG. CASQUILHOS	BEARING KIT	JUEGO COJINETES	JEU COUSSINETS

PISTÕES E BIELAS  
PISTONS AND CONNECTING RODS  
PISTONES Y BIELAS  
PISTONES ET BIELLES

GRUPO  
GROUP  
GRUPO  
GROUPE

14/40



**PISTÕES E BIELAS**  
**PISTONS AND CONNECTING RODS**  
**PISTONES Y BIELAS**  
**PISTONES ET BIELLES**

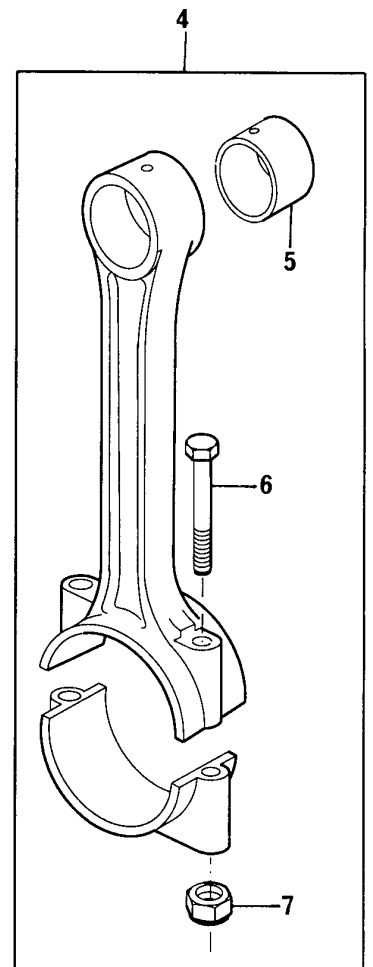
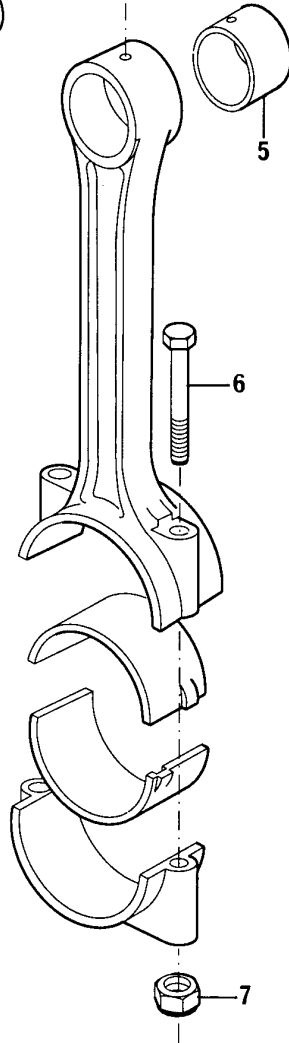
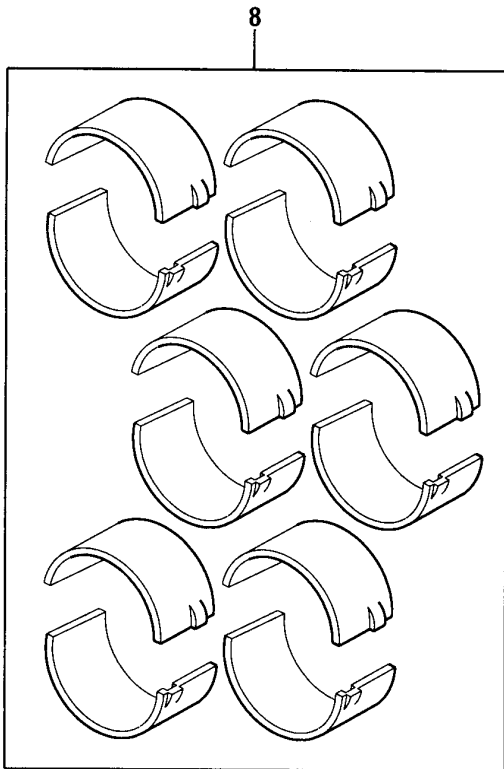
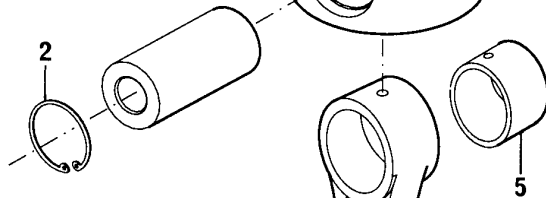
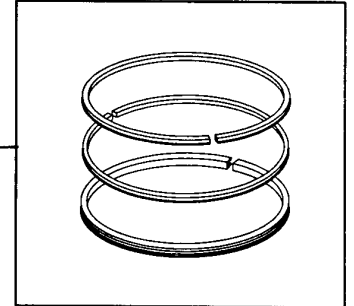
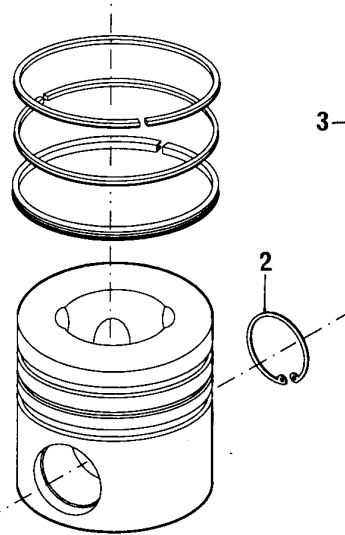
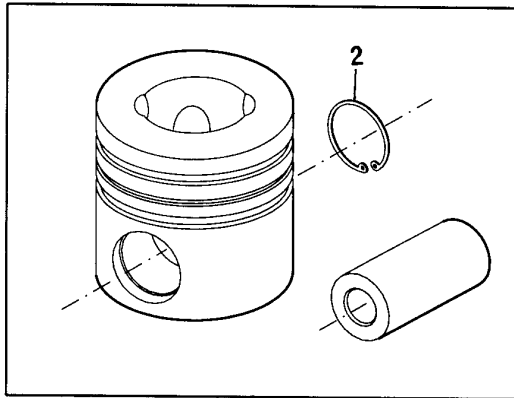
**GRUPO**  
**GROUP** **14/40**  
**GRUPO**  
**GROUPE**

1	S1021			6 PISTÃO	PISTON	PISTÓN	PISTON
2	70170026	1		12 ANEL TRAVA	CIRCLIP	ARO RETÉN	CIRCLIP
3	S1015			6 JOGO DE ANÉIS	RING KIT	JUEGO DE AROS	JEU DE SEGMENTS
4	424804			6 BIELA	CONNECTING ROD	BIELA	BIELLE
5	70998085	4		6 BUCHA	BUSH	BUJE	BAGUE
6	32762116	4		12 PARAFUSO	BOLT	TORNILLO	VIS
7	70570094	4		12 PORCA	NUT	TUERCA	ÉCROU
8	635437			1 JG. CASQUILHOS	BEARING KIT	JUEGO COJINETES	JEU COUSSINETS
8	635437 A		▼ + . 010"	X JG. CASQUILHOS	BEARING KIT	JUEGO COJINETES	JEU COUSSINETS
8	635437 B		▼ + . 020"	X JG. CASQUILHOS	BEARING KIT	JUEGO COJINETES	JEU COUSSINETS
8	635437 C		▼ + . 030"	X JG. CASQUILHOS	BEARING KIT	JUEGO COJINETES	JEU COUSSINETS

PISTÕES E BIELAS  
PISTONS AND CONNECTING RODS  
PISTONES Y BIELAS  
PISTONES ET BIELLES

GRUPO  
GROUP  
GRUPO  
GROUPE

14/99



**PISTÕES E BIELAS**  
**PISTONS AND CONNECTING RODS**  
**PISTONES Y BIELAS**  
**PISTONES ET BIELLES**

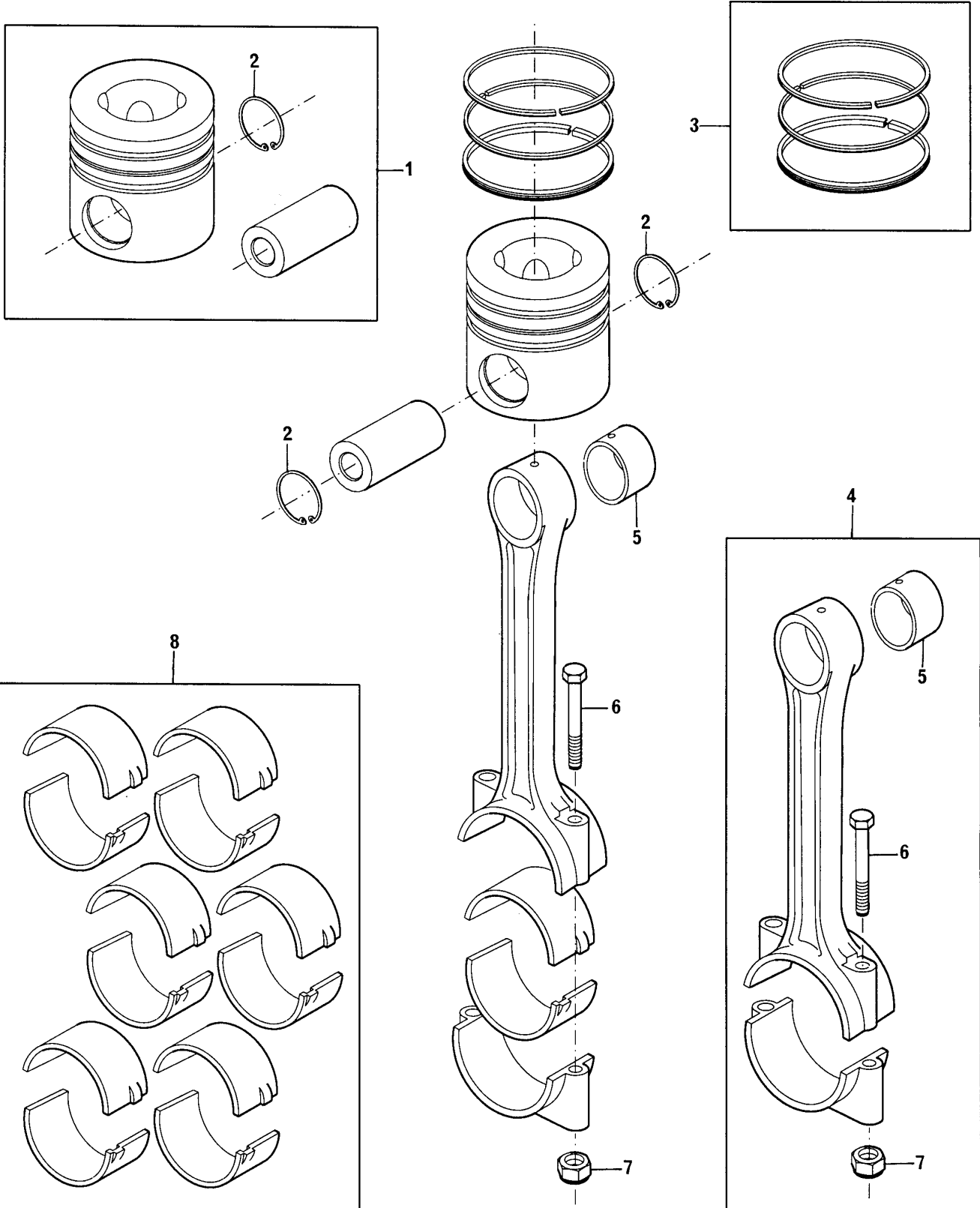
**GRUPO**  
**GROUP** 14/99  
**GRUPO**  
**GROUPE**

1	U5LL0015			6 PISTÃO	PISTON	PISTÓN	PISTON
2	70170026	1		12 ANEL TRAVA	CIRCLIP	ARO RETÉN	CIRCLIP
3	4181A019			6 JOGO DE ANÉIS	RING KIT	JUEGO DE AROS	JEU DE SEGMENTS
4	424804			6 BIELA - CONJUNTO	CONNECTING ROD	BIELA - CONJUNTO	BIELLE - ENSEMBLE
5	70998085	4		6 BUCHA	BUSH	BUJE	BAGUE
6	32762116	4		12 PARAFUSO	BOLT	TORNILLO	VIS
7	70570094	4		12 PORCA	NUT	TUERCA	ÉCROU
8	635437			1 JG. CASQUILHOS	BEARING KIT	JUEGO COJINETES	JEU COUSSINETS
8	635437 A		⌘ + . 010"	X JG. CASQUILHOS	BEARING KIT	JUEGO COJINETES	JEU COUSSINETS
8	635437 B		⌘ + . 020"	X JG. CASQUILHOS	BEARING KIT	JUEGO COJINETES	JEU COUSSINETS
8	635437 C		⌘ + . 030"	X JG. CASQUILHOS	BEARING KIT	JUEGO COJINETES	JEU COUSSINETS

PISTÕES E BIELAS  
PISTONS AND CONNECTING RODS  
PISTONES Y BIELAS  
PISTONES ET BIELLES

GRUPO  
GROUP  
GRUPO  
GRUPE

14/100



**PISTÕES E BIELAS**  
**PISTONS AND CONNECTING RODS**  
**PISTONES Y BIELAS**  
**PISTONES ET BIELLES**

**GRUPO**  
**GROUP**  
**GRUPO**  
**GRUPE**

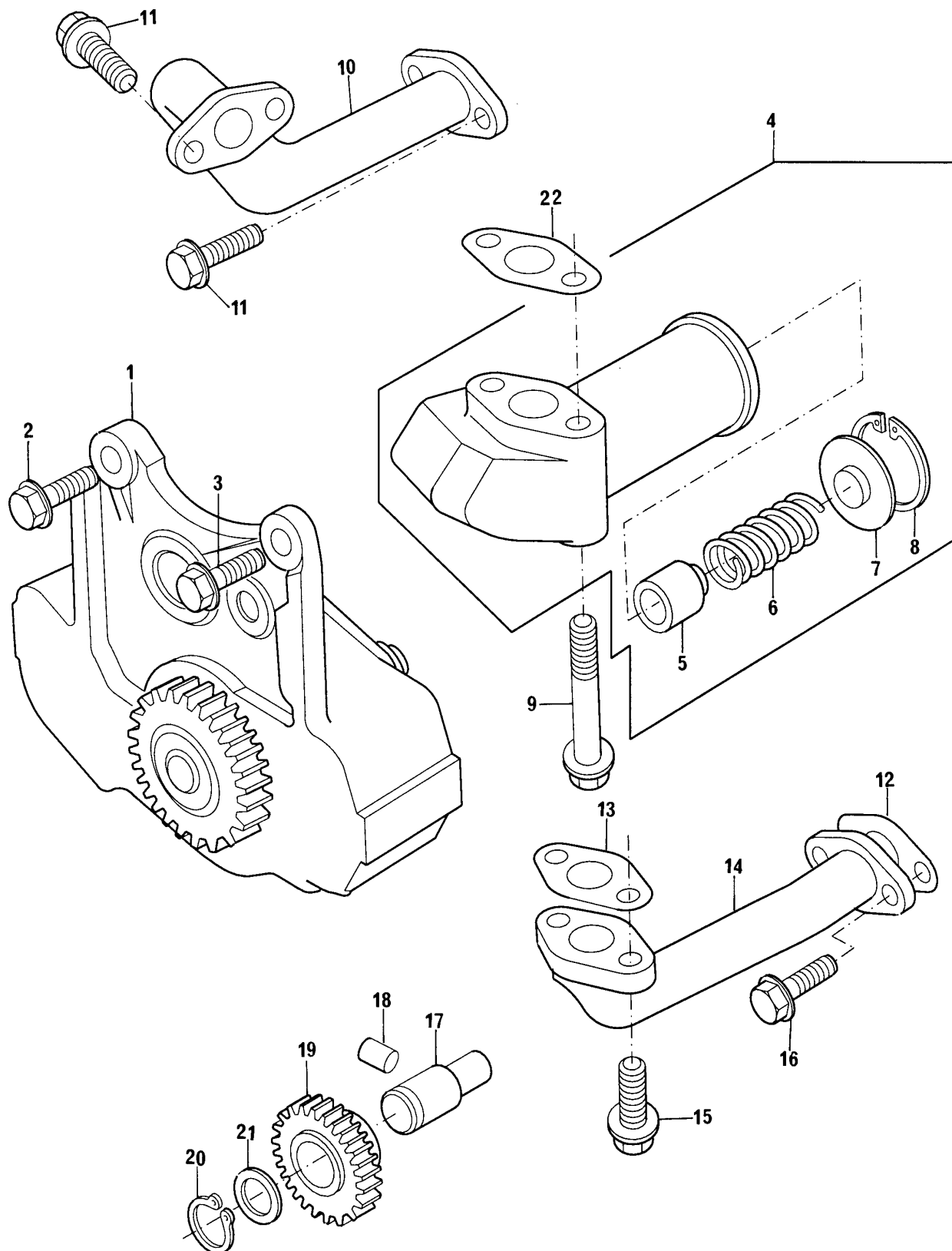
**14/100**

1	U5LL0014			6 PISTÃO	PISTON	PISTÓN	PISTON
2	70170035	1		12 ANEL TRAVA	CIRCLIP	ARO RETÉN	CIRCLIP
3	4181A026			6 JOGO DE ANÉIS	RING KIT	JUEGO DE AROS	JEU DE SEGMENTS
4	4236119			6 BIELA - CONJUNTO	CONNECTING ROD	BIELA - CONJUNTO	BIELLE - ENSEMBLE
5	70998078	4		6 BUCHA	BUSH	BUJE	BAGUE
6	32762116	4		12 PARAFUSO	BOLT	TORNILLO	VIS
7	70570094	4		12 PORCA	NUT	TUERCA	ÉCROU
8	635474			1 JG. CASQUILHOS	BEARING KIT	JUEGO COJINETES	JEU COUSSINETS
8	635474 A		⚡ + . 010"	X JG. CASQUILHOS	BEARING KIT	JUEGO COJINETES	JEU COUSSINETS
8	635474 B		⚡ + . 020"	X JG. CASQUILHOS	BEARING KIT	JUEGO COJINETES	JEU COUSSINETS
8	635474 C		⚡ + . 030"	X JG. CASQUILHOS	BEARING KIT	JUEGO COJINETES	JEU COUSSINETS

BOMBA DE ÓLEO LUBRIFICANTE  
LUBRICATING OIL PUMP  
BOMBA DE ACEITE LUBRIFICANTE  
POMPE À HUILE LUBRIFIANTE

GRUPO  
GROUP  
GRUPO  
GROUPE

15/28





**BOMBA DE ÓLEO LUBRIFICANTE**  
**LUBRICATING OIL PUMP**  
**BOMBA DE ACEITE LUBRICANTE**  
**POMPE À HUILE LUBRIFIANTE**

**GRUPO**  
**GROUP**  
**GRUPO**  
**GROUPE**

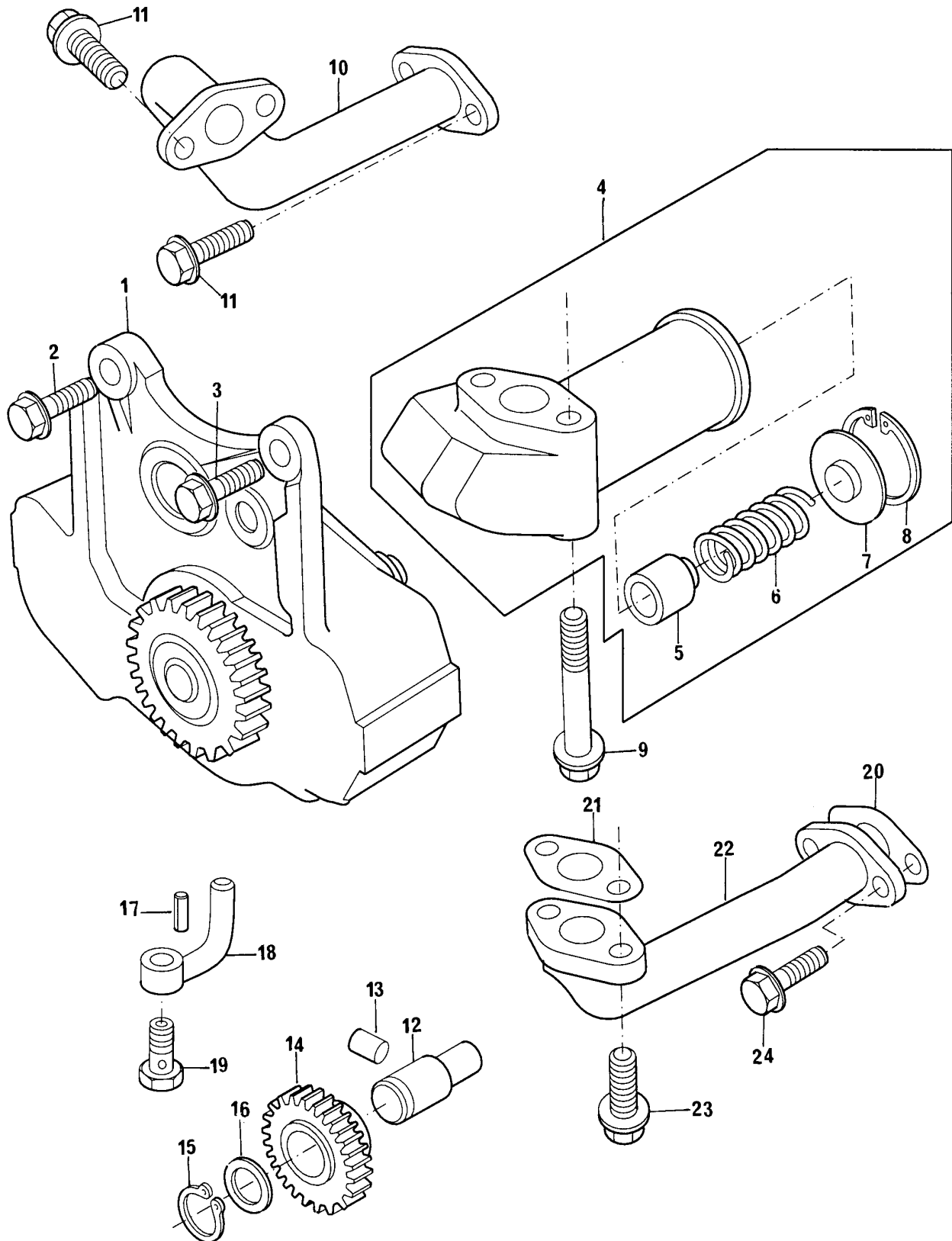
15/28

1	4132F043		1 BOMBA	PUMP	BOMBA	POMPE
2	2314H004		2 PARAFUSO	BOLT	TORNILLO	VIS
3	2314H002		1 PARAFUSO	BOLT	TORNILLO	VIS
4	4138A034		1 VÁLVULA ALÍVIO	RELIEF VALVE	VÁLVULA ALÍVIO	SOUAPE SÉCURITÉ
5	32712726	4	1 ÊMBOLO	PLUNGER	EMBOLO	PISTÓN
6	31744151	4	1 MOLA	SPRING	RESORTE	RESSORT
7	32712111	4	1 CAPA	CAP	CASQUILLO	CUVETTE
8	2721130	4	1 CONTRA PINO	COTTER PIN	PASADOR DOBLE	GOUPILLE
9	2314K161		2 PARAFUSO	BOLT	TORNILLO	VIS
10	3572V012		1 TUBO	PIPE	CAÑO	TUYAUTERIE
11	2314H004		4 PARAFUSO	BOLT	TORNILLO	VIS
12	36831127		1 JUNTA	JOINT	JUNTA	JOINT
13	36832143		1 JUNTA	JOINT	JUNTA	JOINT
14	3572V011		1 TUBO	PIPE	CAÑO	TUYAUTERIE
15	2314F004		2 PARAFUSO	BOLT	TORNILLO	VIS
16	2314F007		2 PARAFUSO	BOLT	TORNILLO	VIS
17	3271H004		1 EIXO	SHAFT	EJE	ARBRE
18	2116087		1 PINO GUIA	DOWEL	ESPIGA	PION
19	4111A008		1 ENGRENAGEM	GEAR	ENGRANAJE	PIGNON
20	2722A206		1 ANEL TRAVA	CIRCLIP	ARO RETÉN	CIRCLIP
21	33123125		1 ARRUELA	WASHER	ARANDELA	RONDELLE
22	36831122		1 JUNTA	JOINT	JUNTA	JOINT

BOMBA DE ÓLEO LUBRIFICANTE  
LUBRICATING OIL PUMP  
BOMBA DE ACEITE LUBRIFICANTE  
POMPE À HUILE LUBRIFIANTE

GRUPO  
GROUP  
GRUPO  
GROUPE

15/29



**BOMBA DE ÓLEO LUBRIFICANTE**  
**LUBRICATING OIL PUMP**  
**BOMBA DE ACEITE LUBRIFICANTE**  
**POMPE À HUILE LUBRIFIANTE**

**GRUPO**  
**GROUP**  
**GRUPO**  
**GROUPE**

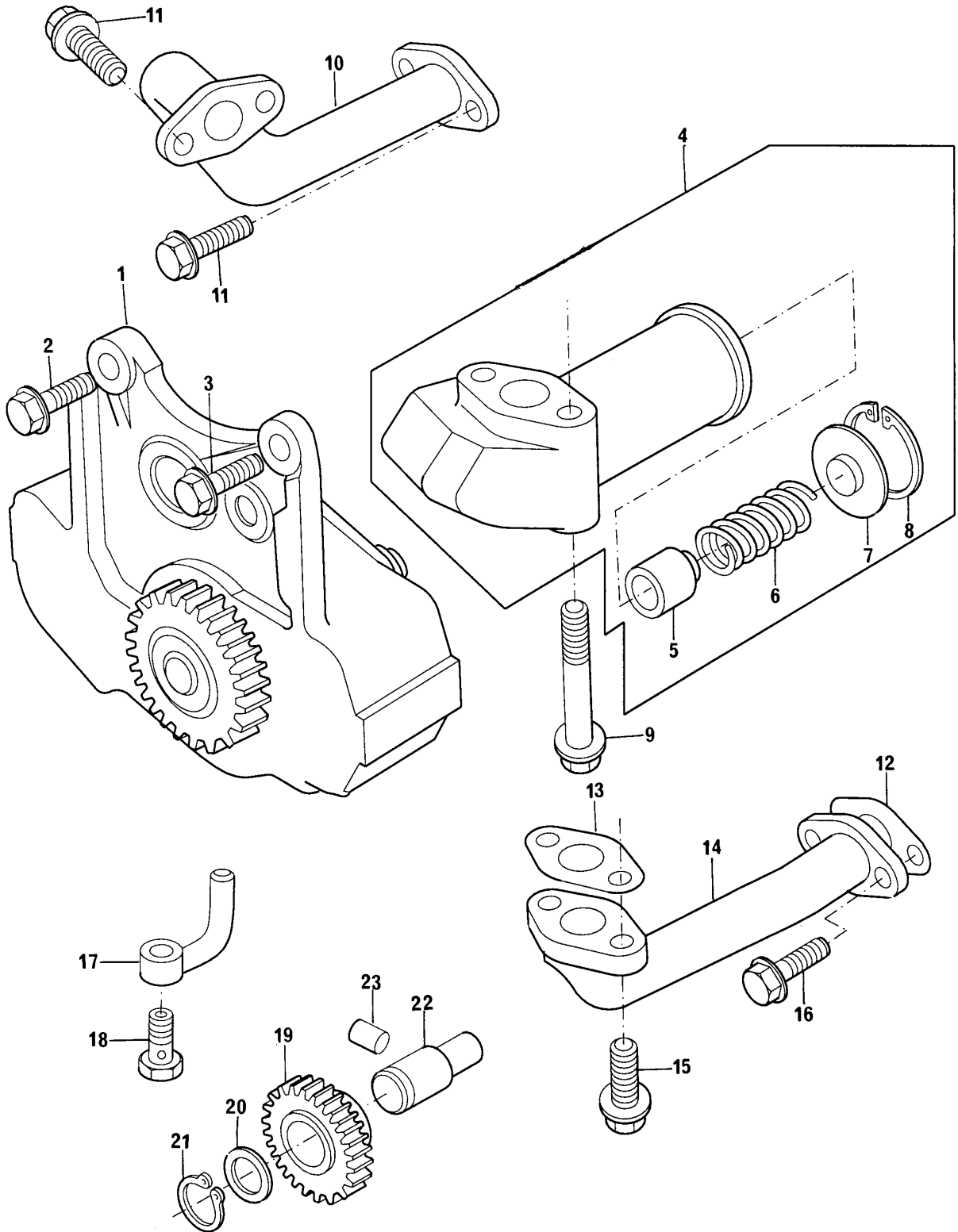
15/29

1	4132F057		1 BOMBA	PUMP	BOMBA	POMPE
2	2314H004		2 PARAFUSO	BOLT	TORNILLO	VIS
3	2314H002		1 PARAFUSO	BOLT	TORNILLO	VIS
4	4138A034		1 VÁLVULA ALÍVIO	RELIEF VALVE	VÁLVULA ALÍVIO	SOUPAPE SÉCURITÉ
5	32712726	4	1 ÊMBOLO	PLUNGER	EMBOLO	PISTÓN
6	31744151	4	1 MOLA	SPRING	RESORTE	RESSORT
7	32712111	4	1 CAPA	CAP	CASQUILLO	CUVETTE
8	2721130	4	1 CONTRA PINO	COTTER PIN	PASADOR DOBLE	GOUPILLE
9	2314K161		2 PARAFUSO	BOLT	TORNILLO	VIS
10	3572V012		1 TUBO	PIPE	CAÑO	TUYAUTERIE
11	2314H004		4 PARAFUSO	BOLT	TORNILLO	VIS
12	3271H004		1 EIXO	SHAFT	EJE	ARBRE
13	2116087		1 PINO GUIA	DOWEL	ESPIGA	PION
14	4111A008		1 ENGRENAGEM	GEAR	ENGRANAJE	PIGNON
15	2722A206		1 ANEL TRAVA	CIRCLIP	ARO RETÉN	CIRCLIP
16	33123125		1 ARRUELA	WASHER	ARANDELA	RONDELLE
17	2116A023		6 PINO GUIA	DOWEL	ESPIGA	PION
18	70992547		6 TUBO INJETOR	PIPE	CAÑO	TUYAUTERIE
19	4138A017		6 VÁLVULA	VALVE	VALVULA	SOUPAPE
20	36831127		1 JUNTA	JOINT	JUNTA	JOINT
21	36832143		1 JUNTA	JOINT	JUNTA	JOINT
22	3572V013		1 TUBO	PIPE	CAÑO	TUYAUTERIE
23	2314F004		2 PARAFUSO	BOLT	TORNILLO	VIS
24	2311D038		2 PARAFUSO	BOLT	TORNILLO	VIS

BOMBA DE ÓLEO LUBRIFICANTE  
LUBRICATING OIL PUMP  
BOMBA DE ACEITE LUBRIFICANTE  
POMPE À HUILE LUBRIFIANTE

GRUPO  
GROUP  
GRUPO  
GROUPE

15/35



**BOMBA DE ÓLEO LUBRIFICANTE**  
**LUBRICATING OIL PUMP**  
**BOMBA DE ACEITE LUBRICANTE**  
**POMPE À HUILE LUBRIFIANTE**

**GRUPO**  
**GROUP**  
**GRUPO**  
**GROUPE**

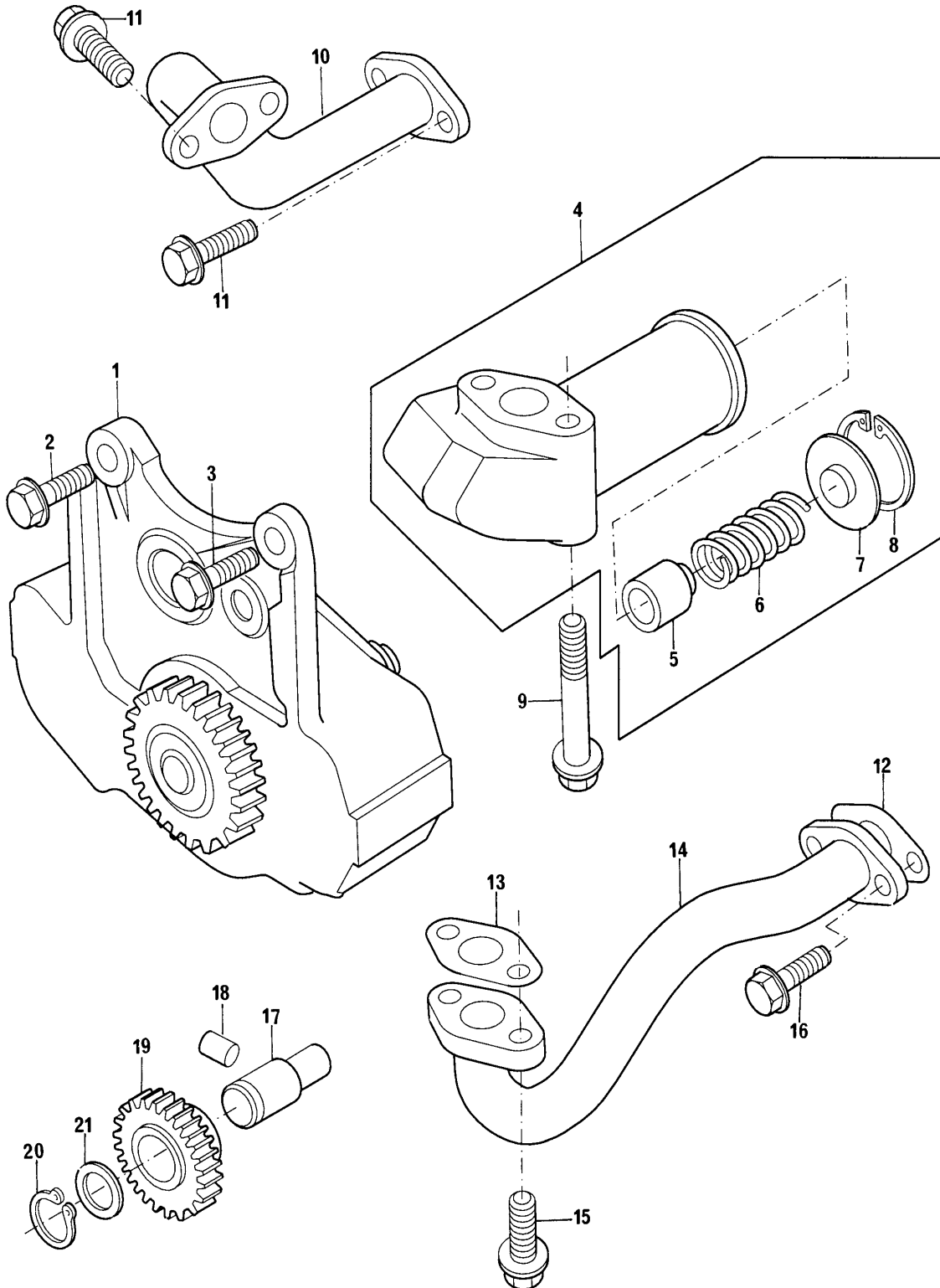
15/35

1	4132F057		1 BOMBA	PUMP	BOMBA	POMPE
2	2314H004	M8X25	2 PARAFUSO	BOLT	TORNILLO	VIS
3	2314H002	M8X16	1 PARAFUSO	BOLT	TORNILLO	VIS
4	4138A034		1 VÁLVULA ALÍVIO	RELIEF VALVE	VÁLVULA ALÍVIO	SOUPAPE SÉCURITÉ
5	32712726	4	1 ÊMBOLO	PLUNGER	EMBOLO	PISTÓN
6	31744151	4	1 MOLA	SPRING	RESORTE	RESSORT
7	32712111	4	1 CAPA	CAP	CASQUILLO	CUVETTE
8	2721130	4	1 ANEL TRAVA	CIRCLIP	ARO RETEN	CIRCLIP
9	2314K161	M8X60	2 PARAFUSO	BOLT	TORNILLO	VIS
10	3571C045		1 TUBO	PIPE	CAÑO	TUYAUTERIE
11	2314H004	M8X25	4 PARAFUSO	BOLT	TORNILLO	VIS
12	36831127		1 JUNTA	JOINT	JUNTA	JOINT
13	36832143		1 JUNTA	JOINT	JUNTA	JOINT
14	3572V013		1 TUBO	PIPE	CAÑO	TUYAUTERIE
15	2314F004	M6X16	2 PARAFUSO	BOLT	TORNILLO	VIS
16	2311D038	M6X30	2 PARAFUSO	BOLT	TORNILLO	VIS
17	4126X124		6 TUBO INJETOR	PIPE	CAÑO	TUYAUTERIE
18	4138A017		6 VÁLVULA	VALVE	VALVULA	VALVE
19	4111A008		1 ENGRENAGEM	GEAR	ENGRANAJE	PIGNON
20	33123125		1 ARRUELA	WASHER	ARANDELA	RONDELLE
21	2722A206		1 ANEL TRAVA	CIRCLIP	ARO RETEN	CIRCLIP
22	3271H004		1 EIXO	SHAFT	EJE	ARBRE
23	2116087		1 PINO GUIA	DOWEL	ESPIGA	PION

BOMBA DE ÓLEO LUBRIFICANTE  
LUBRICATING OIL PUMP  
BOMBA DE ACEITE LUBRICANTE  
POMPE À HUILE LUBRIFIANTE

GRUPO  
GROUP  
GRUPO  
GROUPE

15/36



**BOMBA DE ÓLEO LUBRIFICANTE**  
**LUBRICATING OIL PUMP**  
**BOMBA DE ACEITE LUBRIFICANTE**  
**POMPE À HUILE LUBRIFIANTE**

**GRUPO**  
**GROUP**  
**GRUPO**  
**GROUPE**

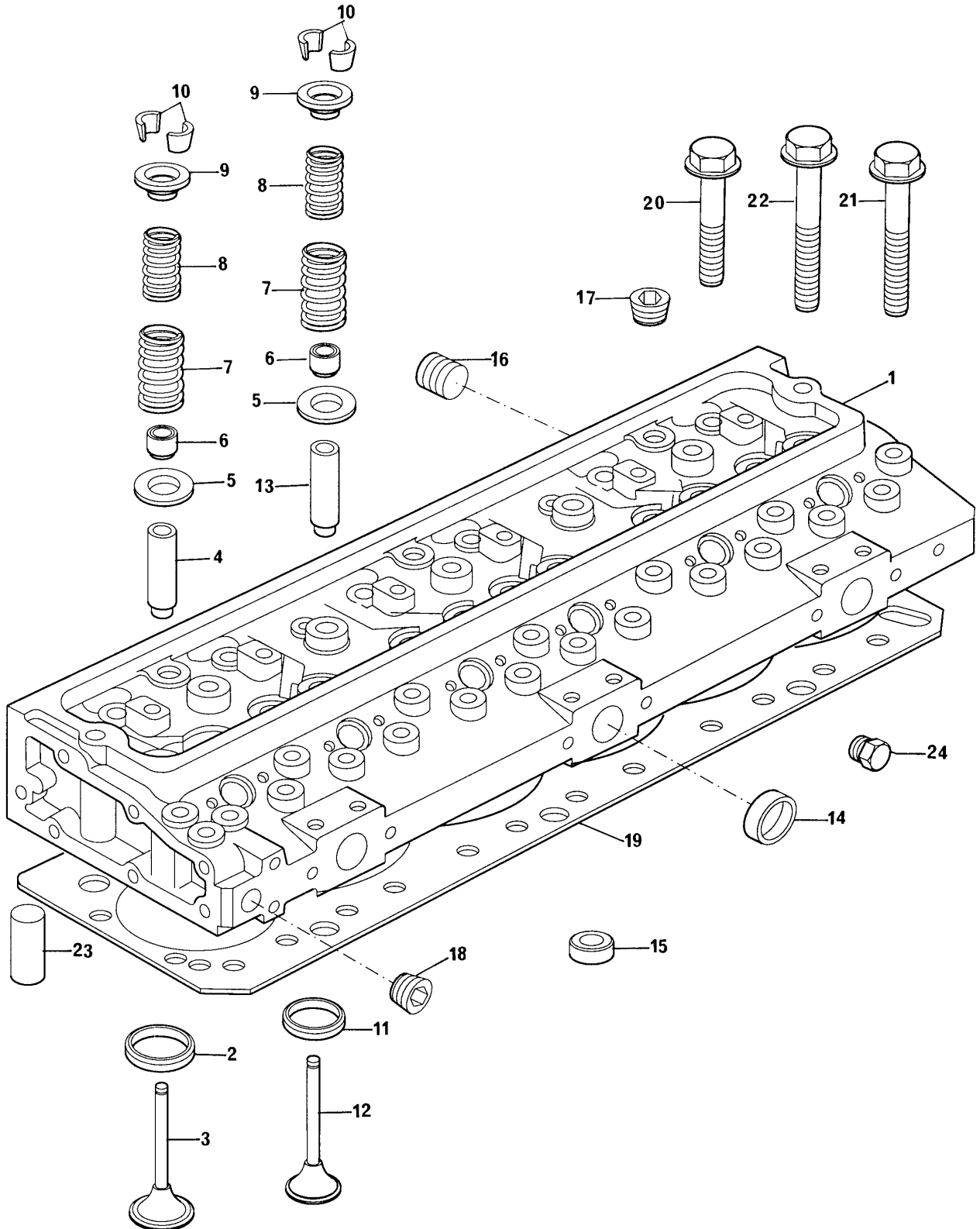
**15/36**

1	4132F043		1	BOMBA	PUMP	BOMBA	POMPE
2	2314H004	M8X25	2	PARAFUSO	BOLT	TORNILLO	VIS
3	2314H002	M8X16	1	PARAFUSO	BOLT	TORNILLO	VIS
4	4138A034		1	VÁLVULA ALÍVIO	RELIEF VALVE	VÁLVULA ALÍVIO	SOUPAPE SÉCURITÉ
5	32712726	4	1	ÊMBOLO	PLUNGER	EMBOLO	PISTÓN
6	31744151	4	1	MOLA	SPRING	RESORTE	RESSORT
7	32712111	4	1	CAPA	CAP	CASQUILLO	CUVETTE
8	2721130	4	1	ANEL TRAVA	CIRCLIP	ARO RETEN	CIRCLIP
9	2314K161	M8X60	2	PARAFUSO	BOLT	TORNILLO	VIS
10	3571C045		1	TUBO	PIPE	CAÑO	TUYAUTERIE
11	2314H004	M8X25	4	PARAFUSO	BOLT	TORNILLO	VIS
12	36831127		1	JUNTA	JOINT	JUNTA	JOINT
13	36832143		1	JUNTA	JOINT	JUNTA	JOINT
14	3572V013		1	TUBO	PIPE	CAÑO	TUYAUTERIE
15	2314F004	M6X16	2	PARAFUSO	BOLT	TORNILLO	VIS
16	2311D038		2	PARAFUSO	BOLT	TORNILLO	VIS
17	3271H004		1	EIXO	SHAFT	EJE	ARBRE
18	2116087		1	PINO GUIA	DOWEL	ESPIGA	PION
19	4111A008		1	ENGRENAGEM	GEAR	ENGRANAJE	PIGNON
20	2722A206		1	ANEL TRAVA	CIRCLIP	ARO RETÉN	CIRCLIP
21	33123125		1	ARRUELA	WASHER	ARANDELA	RONDELLE

CABEÇOTE  
CYLINDER HEAD  
CULATA  
CULASSE

GRUPO  
GROUP  
GRUPO  
GROUPE

17/44





CABEÇOTE  
CYLINDER HEAD  
CULATA  
CULASSE

GRUPO  
GROUP  
GRUPO  
GROUPE

17/44

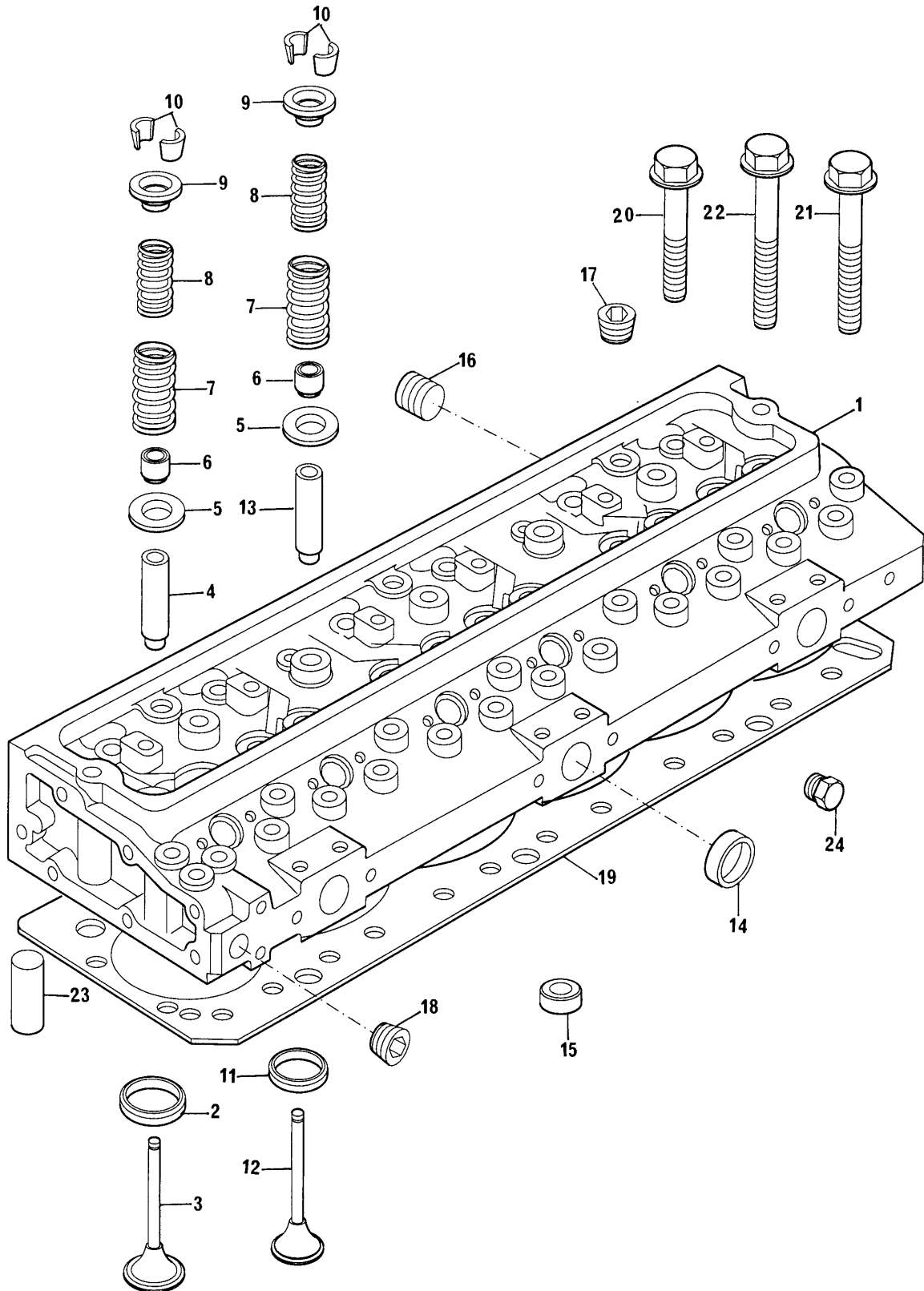
1	ZZ80107		1	CABEÇOTE	CYLINDER HEAD	CULATA	CULASSE
2	3324E002	1	6	SEDE ADMISSÃO	INLET INSERT	INSERTO ADMISIÓN	SIEGÉ RAPPORTÉ
3	70910060	1	6	VÁLVULA ADMISSÃO	INLET VALVE	VÁLVULA ADMISIÓN	SOUPAPE ADMISSION
4	3343F002	1	6	GUIA ADMISSÃO	INLET GUIDE	GUIA ADMISIÓN	GUIDE ADMISSION
5	33415118	1	12	ARRUELA	WASHER	ARANDELA	RONDELLE
6	70998120	1	12	VEDADOR	SEAL	RETÉN	GUARNITURE
7	31745122		12	MOLA EXTERNA	SPRING	RESORTE	RESSORT
7	3174P405	1 (A)	12	MOLA EXTERNA	SPRING	RESORTE	RESSORT
8	31744133		12	MOLA INTERNA	SPRING	RESORTE	RESSORT
9	33424107		12	CAPA	CAP	CASQUILLO	CUVETTE
9	3342T007	1 (A)	12	CAPA	CAP	CASQUILLO	CUVETTE
10	70998122	1	24	TRAVA DAS MOLAS	COTTER	SEGURO CÓNICO	CLAVETTE
11	3314A121	1	6	SEDE ESCAPE	EXHAUST INSERT	INSERTO ESCAPE	SIEGE RAPPORTÉ
12	70910059	1	6	VÁLVULA ESCAPE	EXHAUST VALVE	VÁLVULA ESCAPE	SOUPAPE ÉCHAPP
13	3343J002	1	6	GUIA ESCAPE	EXHAUST GUIDE	GUIA ESCAPE	GUIDE ÉCHAPP
14	70650075	1	3	BUJÃO	PLUG	TAPÓN	BOUCHON
15	32417156	1	6	BUJÃO	PLUG	TAPÓN	BOUCHON
16	2487A510	1	1	BUJÃO	PLUG	TAPÓN	BOUCHON
17	70650118	1	6	BUJÃO	PLUG	TAPÓN	BOUCHON
18	70650119	1	1	BUJÃO	PLUG	TAPÓN	BOUCHON
19	3681H205		1	JUNTA	JOINT	JUNTA	JOINT
20	32166219		12	PARAFUSO	BOLT	TORNILLO	VIS
21	32166221		18	PARAFUSO	BOLT	TORNILLO	VIS
22	32166222		2	PARAFUSO	BOLT	TORNILLO	VIS
23	2116081	1	2	PINO GUIA	DOWEL	ESPIGA	PION
24	3212P002	1	1	BUJÃO	PLUG	TAPÓN	BOUCHON

(A) USADO SOMENTE COM CABEÇOTE DE MOLA ÚNICA  
USED ONLY WITH SINGLE SPRING HEAD  
USATO SOLO CON CULATA DE RESORTE UNICO  
EMPLOYEE SEULEMENT AVEC CULASSE UN SEUL RESSORT

CABEÇOTE  
CYLINDER HEAD  
CULATA  
CULASSE

GRUPO  
GROUP  
GRUPO  
GROUPE

17/45



CABEÇOTE  
CYLINDER HEAD  
CULATA  
CULASSE

GRUPO  
GROUP  
GRUPO  
GROUPE

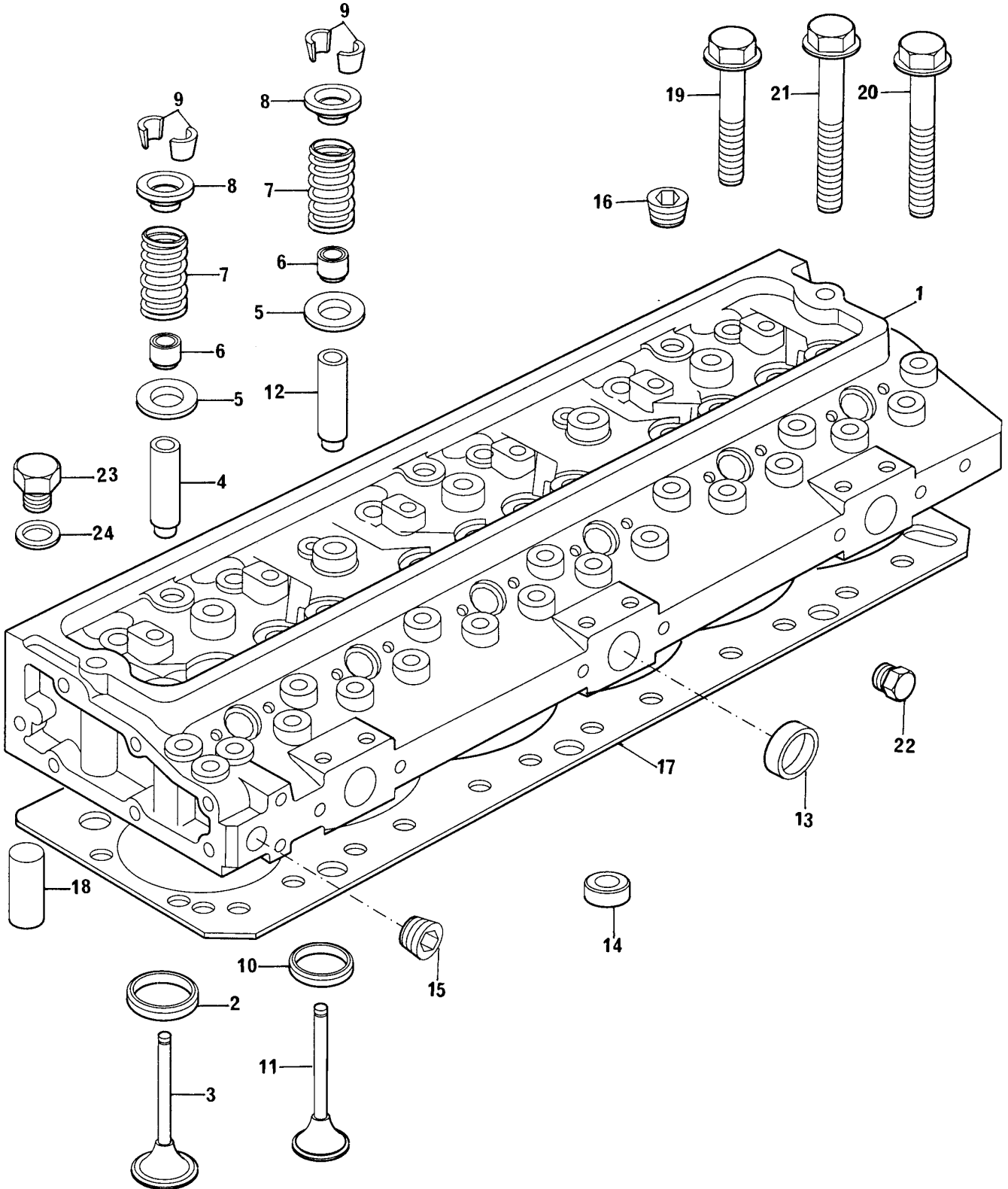
17/45

1			1	CABEÇOTE	CYLINDER HEAD	CULATA	CULASSE
2	3324E002	1		6 SEDE ADMISSÃO	INLET INSERT	INSERTO ADMISIÓN	SIEGÉ RAPPORTÉ
3	70910061	1		6 VÁLVULA ADMISSÃO	INLET VALVE	VÁLVULA ADMISIÓN	SOUPAPE ADMISSION
4	3343F041	1	 3343F031	6 GUIA ADMISSÃO	INLET GUIDE	GUIA ADMISIÓN	GUIDE ADMISSION
5	33415118	1		12 ARRUELA	WASHER	ARANDELA	RONDELLE
6	70998120	1		12 VEDADOR	SEAL	RETÉN	GUARNITURE
7	31745122	1		12 MOLA EXTERNA	SPRING	RESORTE	RESSORT
8	31744133	1		12 MOLA INTERNA	SPRING	RESORTE	RESSORT
9	33424107	1		12 CAPA	CAP	CASQUILLO	CUVETTE
10	70998122	1		24 TRAVA DAS MOLAS	COTTER	SEGURO CÓNICO	CLAVETTE
11	3314A121	1		6 SEDE ESCAPE	EXHAUST INSERT	INSERTO ESCAPE	SIEGE RAPPORTÉ
12	70910059	1		6 VÁLVULA ESCAPE	EXHAUST VALVE	VÁLVULA ESCAPE	SOUPAPE ÉCHAPP
13	3343J002	1		6 GUIA ESCAPE	EXHAUST GUIDE	GUIA ESCAPE	GUIDE ÉCHAPP
14	70650075	1		3 BUJÃO	PLUG	TAPÓN	BOUCHON
15	32417156	1		6 BUJÃO	PLUG	TAPÓN	BOUCHON
16	2487A510	1		1 BUJÃO	PLUG	TAPÓN	BOUCHON
17	70650118	1		6 BUJÃO	PLUG	TAPÓN	BOUCHON
18	70650119	1		1 BUJÃO	PLUG	TAPÓN	BOUCHON
19	3681H205			1 JUNTA	JOINT	JUNTA	JOINT
20	32166219			12 PARAFUSO	BOLT	TORNILLO	VIS
21	32166221			18 PARAFUSO	BOLT	TORNILLO	VIS
22	32166222			2 PARAFUSO	BOLT	TORNILLO	VIS
23	2116081	1		2 PINO GUIA	DOWEL	ESPIGA	PION
24	3212P002	1		1 BUJÃO	PLUG	TAPÓN	BOUCHON

CABEÇOTE  
CYLINDER HEAD  
CULATA  
CULASSE

GRUPO  
GROUP  
GRUPO  
GROUPE

17/67



**CABEÇOTE  
CYLINDER HEAD  
CULATA  
CULASSE**

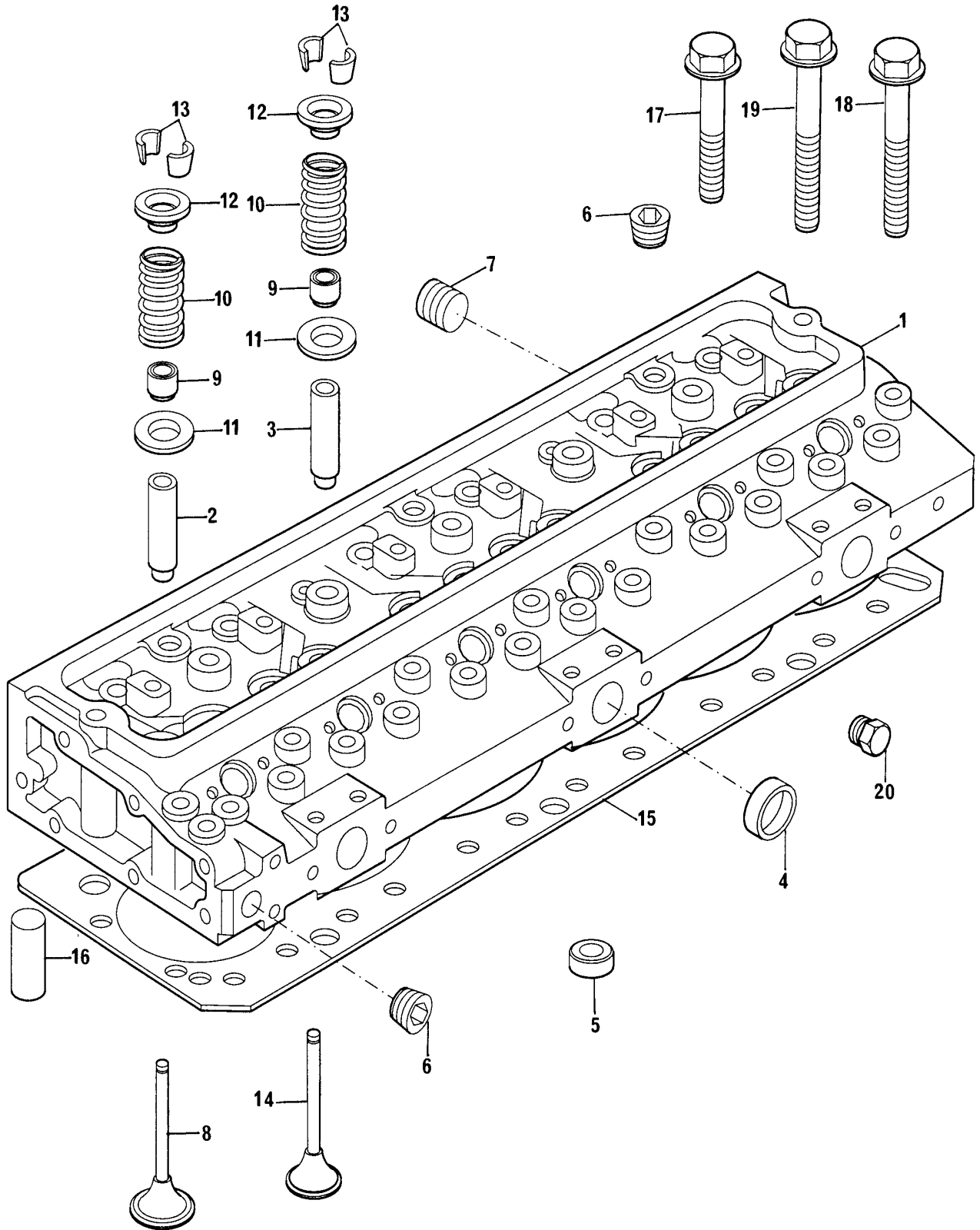
**GRUPO  
GROUP  
GRUPO  
GROUPE** 17/67

1	S1013		1	CABEÇOTE	CYLINDER HEAD	CULATA	CULASSE
2	3324E002	1	6	SEDE ADMISSÃO	INLET INSERT	INSERTO ADMISIÓN	SIEGÉ RAPPORTÉ
3	70910061	1	6	VÁLVULA ADMISSÃO	INLET VALVE	VÁLVULA ADMISIÓN	SOUPAPE ADMISSION
4	3343F041	1	6	GUIA ADMISSÃO	INLET GUIDE	GUIA ADMISIÓN	GUIDE ADMISSION
5	33415118	1	12	ARRUELA	WASHER	ARANDELA	RONDELLE
6	70998120	1	12	VEDADOR	SEAL	RETÉN	GUARNITURE
7	3174P405	1	12	MOLA	SPRING	RESORTE	RESSORT
8	3342T007	1	12	CAPA	CAP	CASQUILLO	CUVETTE
9	70998122	1	24	TRAVA	COTTER	SEGURO CÓNICO	CLAVETTE
10	3314A121	1	6	SEDE ESCAPE	EXHAUST INSERT	INSERTO ESCAPE	SIEGE RAPPORTÉ
11	70910059	1	6	VÁLVULA ESCAPE	EXHAUST VALVE	VÁLVULA ESCAPE	SOUPAPE ÉCHAPP
12	3343J021	1	6	GUIA ESCAPE	EXHAUST GUIDE	GUIA ESCAPE	GUIDE ÉCHAPP
13	70650075	1	3	BUJÃO	PLUG	TAPÓN	BOUCHON
14	32417156	1	6	BUJÃO	PLUG	TAPÓN	BOUCHON
15	70650119	1	2	BUJÃO	PLUG	TAPÓN	BOUCHON
16	70650118	1	6	BUJÃO	PLUG	TAPÓN	BOUCHON
17	3681H208		1	JUNTA	JOINT	JUNTA	JOINT
18	2114A046		2	PINO GUIA	DOWEL	ESPIGA	PION
19	32166219		12	PARAFUSO	BOLT	TORNILLO	VIS
20	32166221		18	PARAFUSO	BOLT	TORNILLO	VIS
21	32166222		2	PARAFUSO	BOLT	TORNILLO	VIS
22	3212P002		1	BUJÃO	PLUG	TAPÓN	BOUCHON
23	70650138		1	BUJÃO	PLUG	TAPÓN	BOUCHON
24	70920128		1	ARRUELA	WASHER	ARANDELA	RONDELLE

CABEÇOTE  
CYLINDER HEAD  
CULATA  
CULASSE

GRUPO  
GROUP  
GRUPO  
GROUPE

17/68



**CABEÇOTE**  
**CYLINDER HEAD**  
**CULATA**  
**CULASSE**

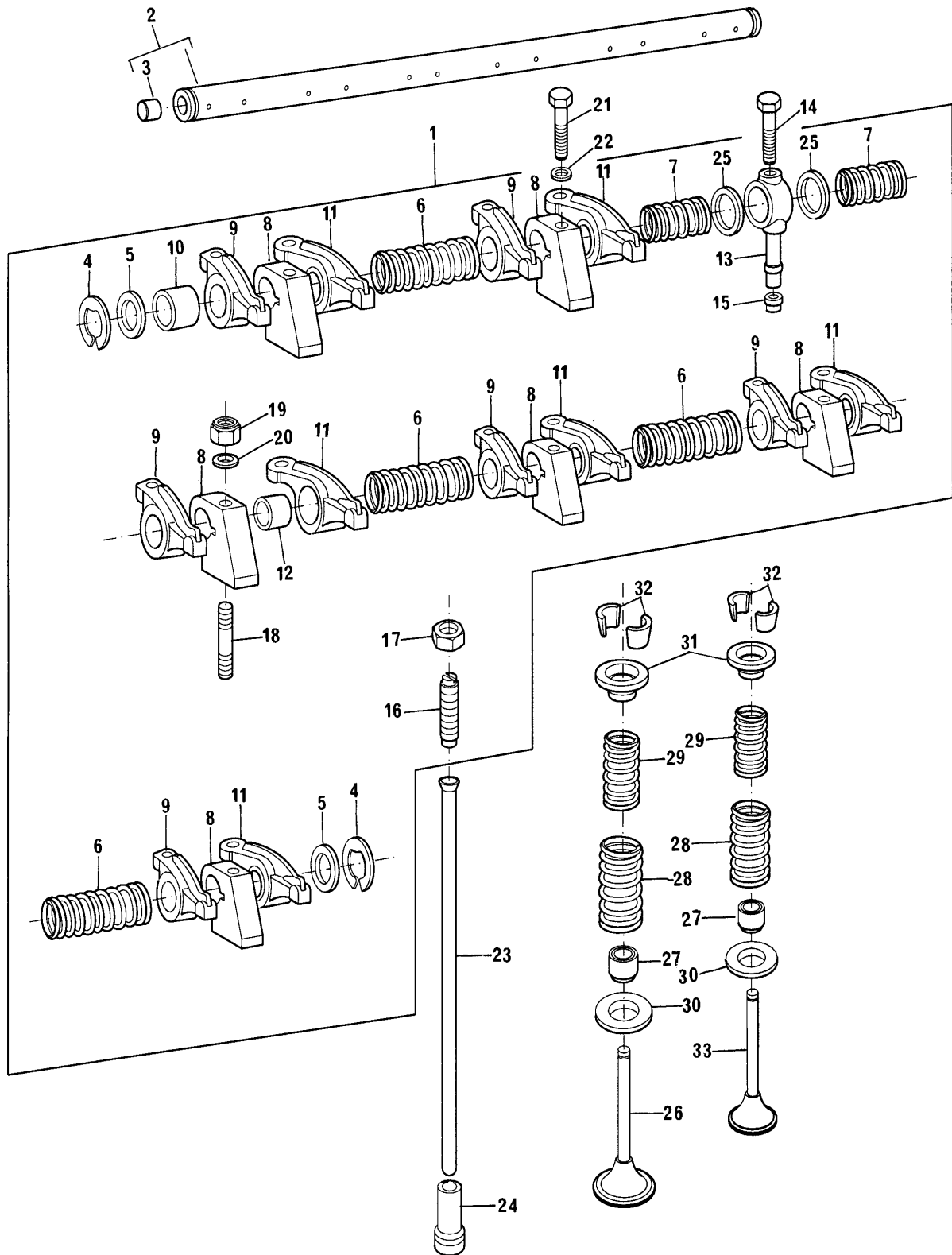
**GRUPO**  
**GROUP** 17/68  
**GRUPO**  
**GROUPE**

1	S1014		1 CABEÇOTE	CYLINDER HEAD	CULATA	CULASSE
2	3343F041	1	6 GUIA	GUIDE	GUIA	GUIDE
3	3343J021	1	6 GUIA	GUIDE	GUIA	GUIDE
4	70650075	1	3 BUJÃO	PLUG	TAPÓN	BOUCHON
5	32417156	1	6 BUJÃO	PLUG	TAPÓN	BOUCHON
6	70650119	1	2 BUJÃO	PLUG	TAPÓN	BOUCHON
7	70650118	1	6 BUJÃO	PLUG	TAPÓN	BOUCHON
8	70910060	1	6 VÁLVULA ADMISSÃO	INLET VALVE	VÁLVULA ADMISIÓN	SOUPAPE ADMISSION
9	70998120	1	12 VEDADOR	SEAL	RETÉN	GUARNITURE
10	3174P405	1	12 MOLA	SPRING	RESORTE	RESSORT
11	33415118	1	12 ARRUELA	WASHER	ARANDELA	RONDELLE
12	3342T007	1	12 CAPA	CAP	CASQUILLO	CUVETTE
13	70998122	1	24 TRAVA DAS MOLAS	COTTER	SEGURO CÓNICO	CLAVETTE
14	70910059	1	6 VÁLVULA ESCAPE	EXHAUST INSERT	INSERTO ESCAPE	SOUPAPE ÉCHAPP
15	3681H208		1 JUNTA	JOINT	JUNTA	JOINT
16	2114A046		2 PINO GUIA	DOWEL	ESPIGA	PION
17	32166219		12 PARAFUSO	BOLT	TORNILLO	VIS
18	32166221		18 PARAFUSO	BOLT	TORNILLO	VIS
19	32166222		2 PARAFUSO	BOLT	TORNILLO	VIS
20	3212P002		1 BUJÃO	PLUG	TAPÓN	BOUCHON

VÁLVULAS E BALANCEIROS  
 VALVES AND ROCKERSHAFTS  
 VÁLVULAS Y BALANCINES  
 SOUPAPES ET LEVIERS OSCILLANTS

GRUPO  
 GROUP  
 GRUPO  
 GROUPE

18/37





**VÁLVULAS E BALANCEIROS**  
**VALVES AND ROCKERSHAFTS**  
**VÁLVULAS Y BALANCINES**  
**SOUPAPES ET LEVIERS OSCILLANTS**

**GRUPO**  
**GROUP** 18/37  
**GRUPO**  
**GROUPE**

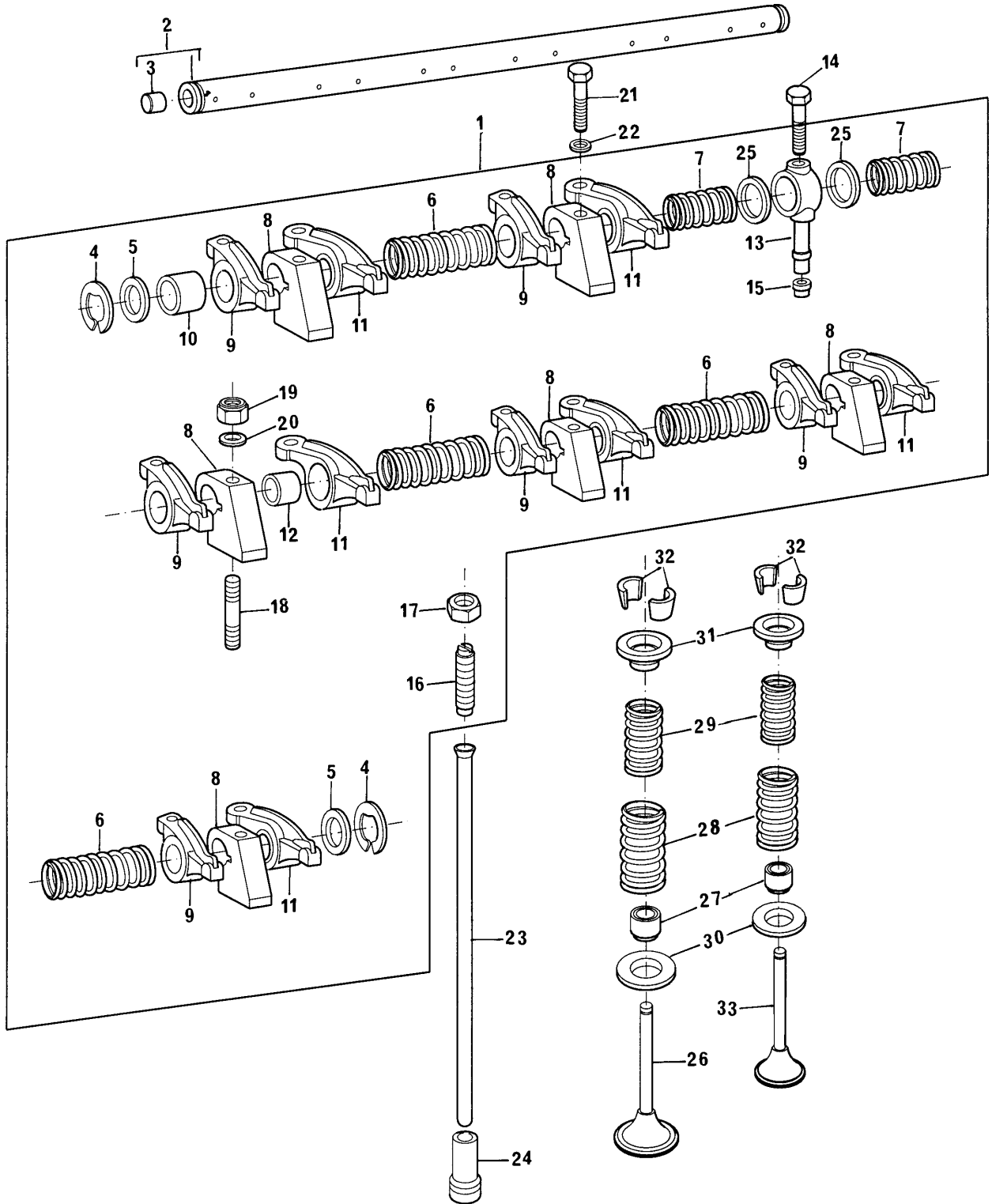
1	ZZ90057		1	EIXO BALANCEIRO	ROCKERSHAFT ASSY	EJE BALANCINES	RAMPE CULBUTEURS
2	U7LR0003	1	1	EIXO	SHAFT	EJE	ARBRE
3	0650507	2	2	BUJÃO	PLUG	TAPÓN	BOUCHON
4	0170151	1	2	ANEL TRAVA	CIRCLIP	ARO RETÉN	CIRCLIP
5	33117434	1	2	ARRUELA	WASHER	ARANDELA	RONDELLE
6	31744123	1	4	MOLA	SPRING	RESORTE	RESSORT
7	31743108	1	2	MOLA	SPRING	RESORTE	RESSORT
8	3818X901	1	6	SUPORTE	BRACKET	SOPORTE	SUPPORT
9	70998095	1	6	BALANCEIRO	ROCKER LEVER	BALANCÍN	CULBUTEUR
10	2511425	9	6	BUCHA	BUSH	BUJE	BAGUE
11	70998096	1	6	BALANCEIRO	ROCKER LEVER	BALANCÍN	CULBUTEUR
12	2511425	11	6	BUCHA	BUSH	BUJE	BAGUE
13	3775E012	1	1	TUBO	PIPE	CAÑO	TUYAYTERIE
14	2233022		1	PARAFUSO	BOLT	TORNILLO	VIS
15	33811113		1	ANEL VEDAÇÃO	SEALING RING	ANILLO SELLADO	BAGUE ÉTANCHÉITE
16	0720579	1	12	PARAFUSO	BOLT	TORNILLO	VIS
17	0576052	1	12	PORCA	NUT	TUERCA	ÉCROU
18	2313H331		4	PRISIONEIRO	STUD	ESPÁRRAGO	GOUJON
19	2318A605		4	PORCA	NUT	TUERCA	ÉCROU
20	3311K009		4	ARRUELA	WASHER	ARANDELA	RONDELLE
21	2314J607		2	PARAFUSO	BOLT	TORNILLO	VIS
22	3311K009		2	ARRUELA	WASHER	ARANDELA	RONDELLE
23	70998041		12	VARETA	DISPTICK	VARILLA	JAUGE
24	31434163		12	TUCHO	TAPPET	TAQUE	POUSSOIR
25	33117426	1	2	ARRUELA	WASHER	ARANDELA	RONDELLE
26	70910060		6	VÁLVULA ADMISSÃO	INLET VALVE	VÁLVULA ADMISIÓN	SOUPAPE ADMISSION
27	70998120		12	VEDADOR	SEAL	DEFLECTOR	DEFLECTEUR
28	31745122		12	MOLA EXTERNA	OUTER SPRING	RESORTE EXTERIOR	RESSORT EXT.
28	3174P405	(A)	12	MOLA EXTERNA	OUTER SPRING	RESORTE EXTERIOR	RESSORT EXT.
29	31744133		12	MOLA INTERNA	INNER SPRING	RESORTE INTERIOR	RESSORT INT.
30	33415118		12	ARRUELA	WASHER	ARANDELA	RONDELLE
31	33424107		12	CAPA	CAP	CASQUILLO	CUVETTE
31	3342T007	(A)	12	CAPA	CAP	CASQUILLO	CUVETTE
32	70998122		24	TRAVA	COTTER	SEGURO CÓNICO	CLAVETTE
33	70910059		6	VALVULA ESCAPE	EXHAUST VALVE	VÁLVULA ESCAPE	SOUPAPE ÉCHAPP

(A) USADO SOMENTE COM CABEÇOTE DE MOLA ÚNICA  
 USED ONLY WITH SINGLE SPRING HEAD  
 USATO SOLO CON CULATA DE RESORTE UNICO  
 EMPLOYEE SEULEMENT AVEC CULASSE UN SEUL RESSORT

VÁLVULAS E BALANCEIROS  
 VALVES AND ROCKERSHAFTS  
 VÁLVULAS Y BALANCINES  
 SOUPAPES ET LEVIERS OSCILLANTS

GRUPO  
 GROUP  
 GRUPO  
 GROUPE

18/38



**VÁLVULAS E BALANCEIROS**  
**VALVES AND ROCKERSHAFTS**  
**VÁLVULAS Y BALANCINES**  
**SOUPAPES ET LEVIERS OSCILLANTS**

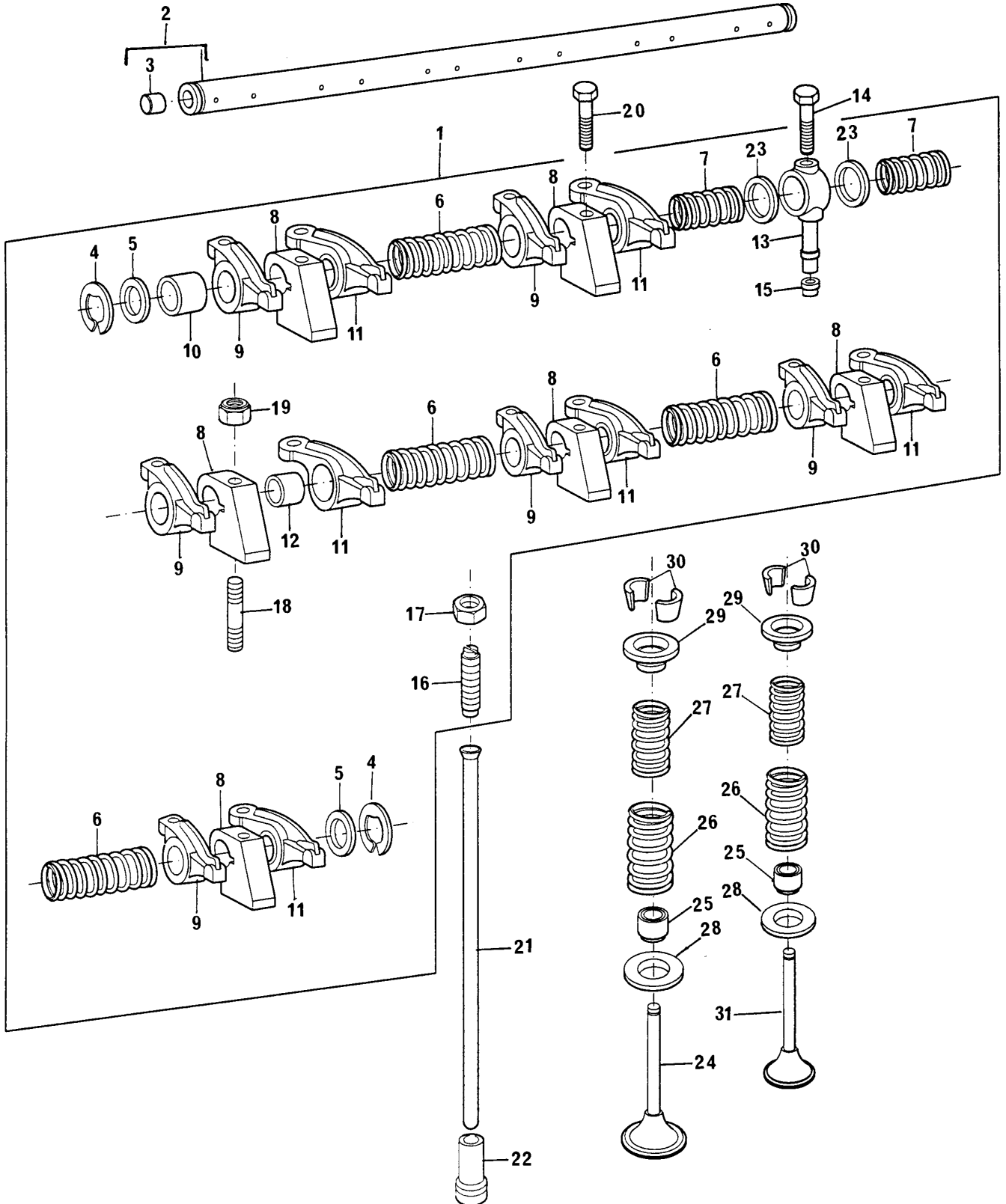
**GRUPO**  
**GROUP**  
**GRUPO**  
**GRUPE**

18/38

1	ZZ90040		1	EIXO BALANCEIRO	ROCKERSHAFT ASSY	EJE BALANCINES	RAMPE CULBUTEURS
2	U7LR0003	1	1	EIXO	SHAFT	EJE	ARBRE
3	0650507	2	2	BUJÃO	PLUG	TAPÓN	BOUCHON
4	0170151	1	2	ANEL TRAVA	CIRCLIP	ARO RETÉN	CIRCLIP
5	33117434	1	2	ARRUELA	WASHER	ARANDELA	RONDELLE
6	31744123	1	4	MOLA	SPRING	RESORTE	RESSORT
7	31743108	1	2	MOLA	SPRING	RESORTE	RESSORT
8	3818X901	1	6	SUPORTE	BRACKET	SOPORTE	SUPPORT
9	70998095	1	6	BALANCEIRO	ROCKER LEVER	BALANCÍN	CULBUTEUR
10	2511425	9	6	BUCHA	BUSH	BUJE	BAGUE
11	70998096	1	6	BALANCEIRO	ROCKER LEVER	BALANCÍN	CULBUTEUR
12	2511425	11	6	BUCHA	BUSH	BUJE	BAGUE
13	3775E012	1	1	TUBO	PIPE	CAÑO	TUYAYERIE
14	2233022		1	PARAFUSO	BOLT	TORNILLO	VIS
15	33811113		1	ANEL VEDAÇÃO	SEALING RING	ANILLO SELLADO	BAGUE ÉTANCHÉITE
16	0720579	1	12	PARAFUSO	BOLT	TORNILLO	VIS
17	0576052	1	12	PORCA	NUT	TUERCA	ÉCROU
18	2313H331		4	PRISIONEIRO	STUD	ESPÁRRAGO	GOUJON
19	2318A605		4	PORCA	NUT	TUERCA	ÉCROU
20	3311K009		4	ARRUELA	WASHER	ARANDELA	RONDELLE
21	2314J607		2	PARAFUSO	BOLT	TORNILLO	VIS
22	3311K009		2	ARRUELA	WASHER	ARANDELA	RONDELLE
23	70998041		12	VARETA	DISPTICK	VARILLA	JAUGE
24	31434163		12	TUCHO	TAPPET	TAQUE	POUSSOIR
25	33117426	1	2	ARRUELA	WASHER	ARANDELA	RONDELLE
26	70910061		6	VÁLVULA ADMISSÃO	INLET VALVE	VÁLVULA ADMISIÓN	SOUPAPE ADMISSION
27	70998120		12	VEDADOR	SEAL	DEFLECTOR	DEFLECTEUR
28	31745122		12	MOLA EXTERNA	OUTER SPRING	RESORTE EXTERIOR	RESSORT EXT.
29	31744133		12	MOLA INTERNA	INNER SPRING	RESORTE INTERIOR	RESSORT INT.
30	33415118		12	ARRUELA	WASHER	ARANDELA	RONDELLE
31	33424107		12	CAPA	CAP	CASQUILLO	CUVETTE
32	70998122		24	TRAVA	COTTER	SEGURO CÓNICO	CLAVETTE
33	70910059		6	VALVULA ESCAPE	EXHAUST VALVE	VÁLVULA ESCAPE	SOUPAPE ÉCHAPP

VÁLVULAS E BALANCEIROS  
 VALVES AND ROCKERSHAFTS  
 VÁLVULAS Y BALANCINES  
 SOUPAPES ET LEVIERS OSCILLANTS

GRUPO  
 GROUP 18/51  
 GRUPO 18/55  
 GROUPE



**VÁLVULAS E BALANCEIROS**  
**VALVES AND ROCKERSHAFTS**  
**VÁLVULAS Y BALANCINES**  
**SOUPAPES ET LEVIERS OSCILLANTS**

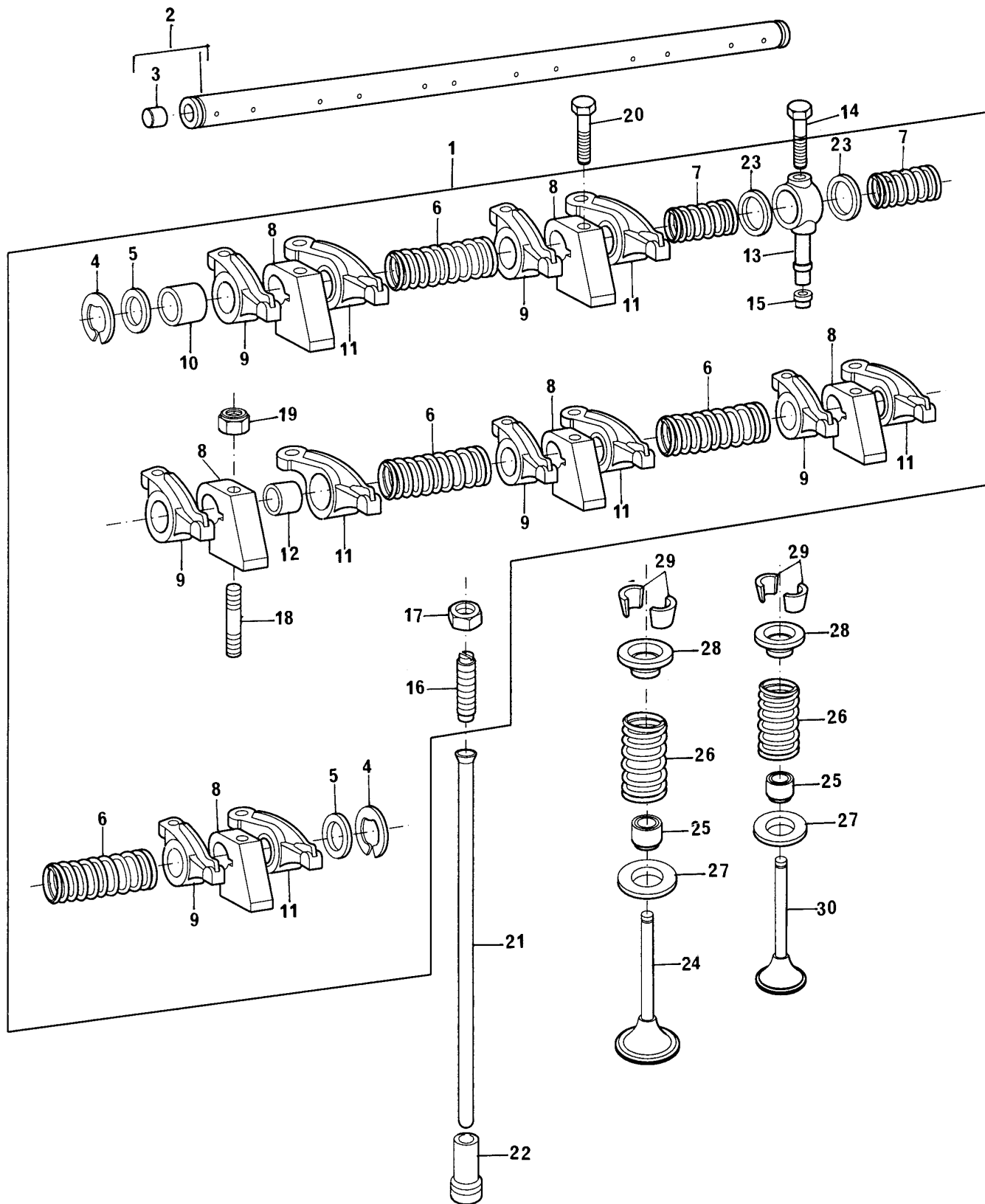
**GRUPO**  
**GROUP** 18/51  
**GRUPO** 18/55  
**GRUPE**

1	S1010		1	EIXO BALANCEIRO	ROCKERSHAFT ASSY	EJE BALANCINES	RAMPE CULBUTEURS
2	S1011	1	1	EIXO	SHAFT	EJE	ARBRE
3	0650507	2	2	BUJÃO	PLUG	TAPÓN	BOUCHON
4	0170151	1	2	ANEL TRAVA	CIRCLIP	ARO RETÉN	CIRCLIP
5	33117434	1	2	ARRUELA	WASHER	ARANDELA	RONDELLE
6	31744123	1	4	MOLA	SPRING	RESORTE	RESSORT
7	31743108	1	2	MOLA	SPRING	RESORTE	RESSORT
8	70100716	1	6	SUPORTE	BRACKET	SOPORTE	SUPPORT
9	70998095	1	6	BALANCEIRO	ROCKER LEVER	BALANCÍN	CULBUTEUR
10	2511425	9	6	BUCHA	BUSH	BUJE	BAGUE
11	70998096	1	6	BALANCEIRO	ROCKER LEVER	BALANCÍN	CULBUTEUR
12	2511425	11	6	BUCHA	BUSH	BUJE	BAGUE
13	35511111	1	1	TUBO	PIPE	CAÑO	TUYAETERIE
14	2233022		1	PARAFUSO	BOLT	TORNILLO	VIS
15	33811113		1	ANEL VEDAÇÃO	SEALING RING	ANILLO SELLADO	BAGUE ÉTANCHÉITE
16	0720579	1	12	PARAFUSO	BOLT	TORNILLO	VIS
17	0576052	1	12	PORCA	NUT	TUERCA	ÉCROU
18	2313H331		4	PRISIONEIRO	STUD	ESPÁRRAGO	GOUJON
19	2318A605		4	PORCA	NUT	TUERCA	ÉCROU
20	2314J607	M12X50	2	PARAFUSO	BOLT	TORNILLO	VIS
21	70998041		12	VARETA	DISPTICK	VARILLA	JAUGE
22	31434163		12	TUCHO	TAPPET	TAQUE	POUSSOIR
23	33117426	1	2	ARRUELA	WASHER	ARANDELA	RONDELLE
24	70910061		6	VÁLVULA ADMISSÃO	INLET VALVE	VÁLVULA ADMISIÓN	SOUPAPE ADMISSION
25	70998120		12	VEDADOR	SEAL	DEFLECTOR	DEFLECTEUR
26	31745122		12	MOLA EXTERNA	OUTER SPRING	RESORTE EXTERIOR	RESSORT EXT.
27	31744133		12	MOLA INTERNA	INNER SPRING	RESORTE INTERIOR	RESSORT INT.
28	33415118		12	ARRUELA	WASHER	ARANDELA	RONDELLE
29	33424107		12	CAPA	CAP	CASQUILLO	CUVETTE
30	70998122		24	TRAVA	COTTER	SEGURO CÓNICO	CLAVETTE
31	70910059		6	VALVULA ESCAPE	EXHAUST VALVE	VÁLVULA ESCAPE	SOUPAPE ÉCHAPP

VÁLVULAS E BALANCEIROS  
 VALVES AND ROCKERSHAFTS  
 VÁLVULAS Y BALANCINES  
 SOUPAPES ET LEVIERS OSCILLANTS

GRUPO  
 GROUP  
 GRUPO  
 GROUPE

18/52



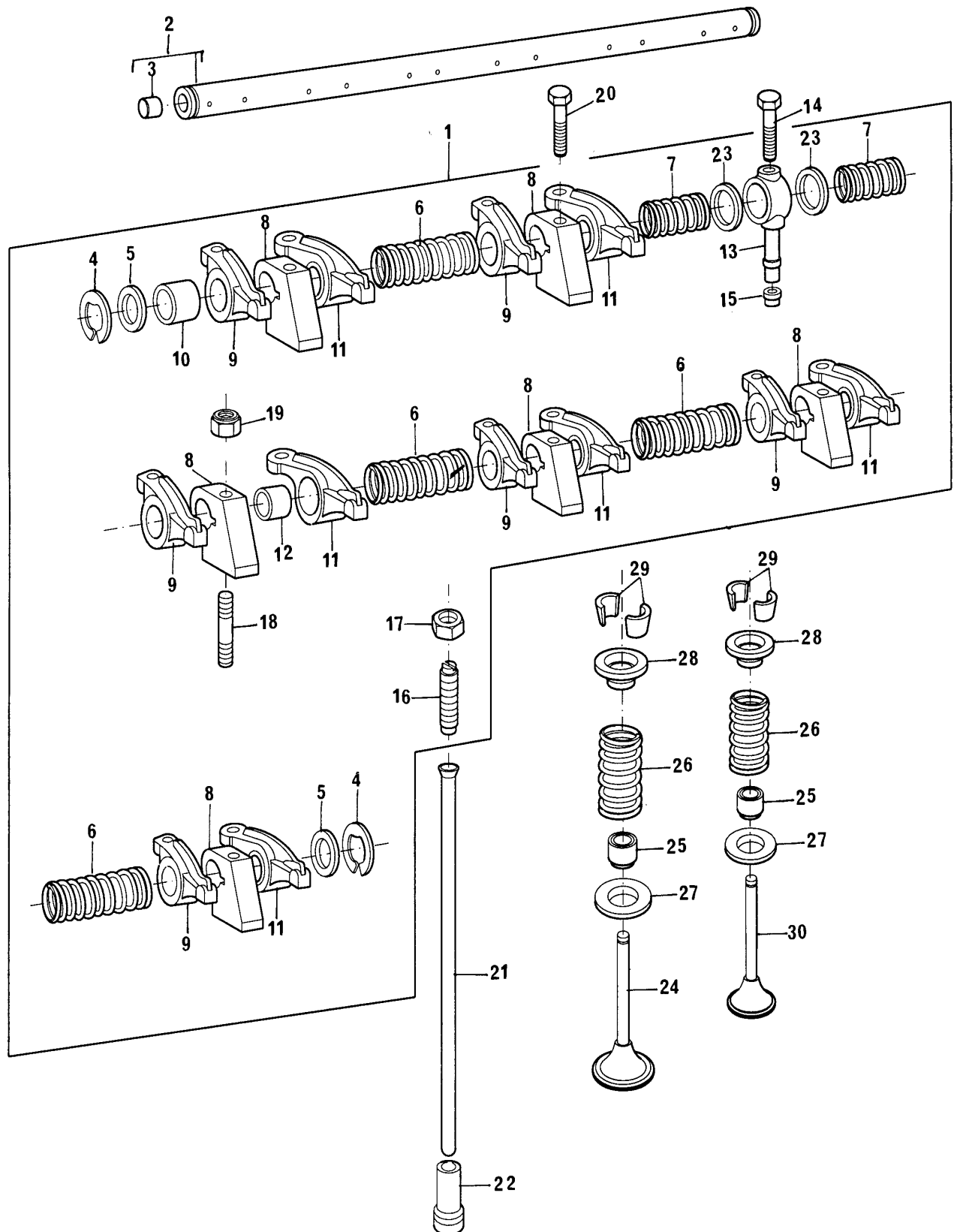
**VÁLVULAS E BALANCEIROS**  
**VALVES AND ROCKERSHAFTS**  
**VÁLVULAS Y BALANCINES**  
**SOUPAPES ET LEVIERS OSCILLANTS**

**GRUPO**  
**GROUP** 18/52  
**GRUPO**  
**GRUPE**

1	S1010		1	EIXO BALANCEIRO	ROCKERSHAFT ASSY	EJE BALANCINES	RAMPE CULBUTEURS
2	S1011	1	1	EIXO	SHAFT	EJE	ARBRE
3	0650507	2	2	BUJÃO	PLUG	TAPÓN	BOUCHON
4	0170151	1	2	ANEL TRAVA	CIRCLIP	ARO RETÉN	CIRCLIP
5	33117434	1	2	ARRUELA	WASHER	ARANDELA	RONDELLE
6	31744123	1	4	MOLA	SPRING	RESORTE	RESSORT
7	31743108	1	2	MOLA	SPRING	RESORTE	RESSORT
8	70100716	1	6	SUPORTE	BRACKET	SOPORTE	SUPPORT
9	70998095	1	6	BALANCEIRO	ROCKER LEVER	BALANCÍN	CULBUTEUR
10	2511425	9	6	BUCHA	BUSH	BUJE	BAGUE
11	70998096	1	6	BALANCEIRO	ROCKER LEVER	BALANCÍN	CULBUTEUR
12	2511425	11	6	BUCHA	BUSH	BUJE	BAGUE
13	35511111	1	1	TUBO	PIPE	CAÑO	TUYAYERIE
14	2233022		1	PARAFUSO	BOLT	TORNILLO	VIS
15	33811113		1	ANEL "O"	"O" RING	ARO SELLO	JOINT TORIQUE
16	0720579	1	12	PARAFUSO	BOLT	TORNILLO	VIS
17	0576052	1	12	PORCA	NUT	TUERCA	ÉCROU
18	2313H331		4	PRISIONEIRO	STUD	ESPÁRRAGO	GOUJON
19	2318A605		4	PORCA	NUT	TUERCA	ÉCROU
20	2314J607	M12X50	2	PARAFUSO	BOLT	TORNILLO	VIS
21	70998041		12	VARETA	DISPTICK	VARILLA	JAUGE
22	31434163		12	TUCHO	TAPPET	TAQUE	POUSSOIR
23	33117426	1	2	ARRUELA	WASHER	ARANDELA	RONDELLE
24	70910061		6	VÁLVULA ADMISSÃO	INLET VALVE	VÁLVULA ADMISIÓN	SOUPAPE ADMISSION
25	70998120		12	VEDADOR	SEAL	DEFLECTOR	DEFLECTEUR
26	3174P405		12	MOLA	SPRING	RESORTE	RESSORT
27	33415118		12	ARRUELA	WASHER	ARANDELA	RONDELLE
28	3342T007		12	CAPA	CAP	CASQUILLO	CUVETTE
29	70998122		24	TRAVA	COTTER	SEGURO CÓNICO	CLAVETTE
30	70910059		6	VALVULA ESCAPE	EXHAUST VALVE	VÁLVULA ESCAPE	SOUPAPE ÉCHAPP

VÁLVULAS E BALANCEIROS  
 VALVES AND ROCKERSHAFTS  
 VÁLVULAS Y BALANCINES  
 SOUPAPES ET LEVIERS OSCILLANTS

GRUPO  
 GROUP 18/53  
 GRUPO  
 GROUPE





VÁLVULAS E BALANCEIROS  
 VALVES AND ROCKERSHAFTS  
 VÁLVULAS Y BALANCINES  
 SOUPAPES ET LEVIERS OSCILLANTS

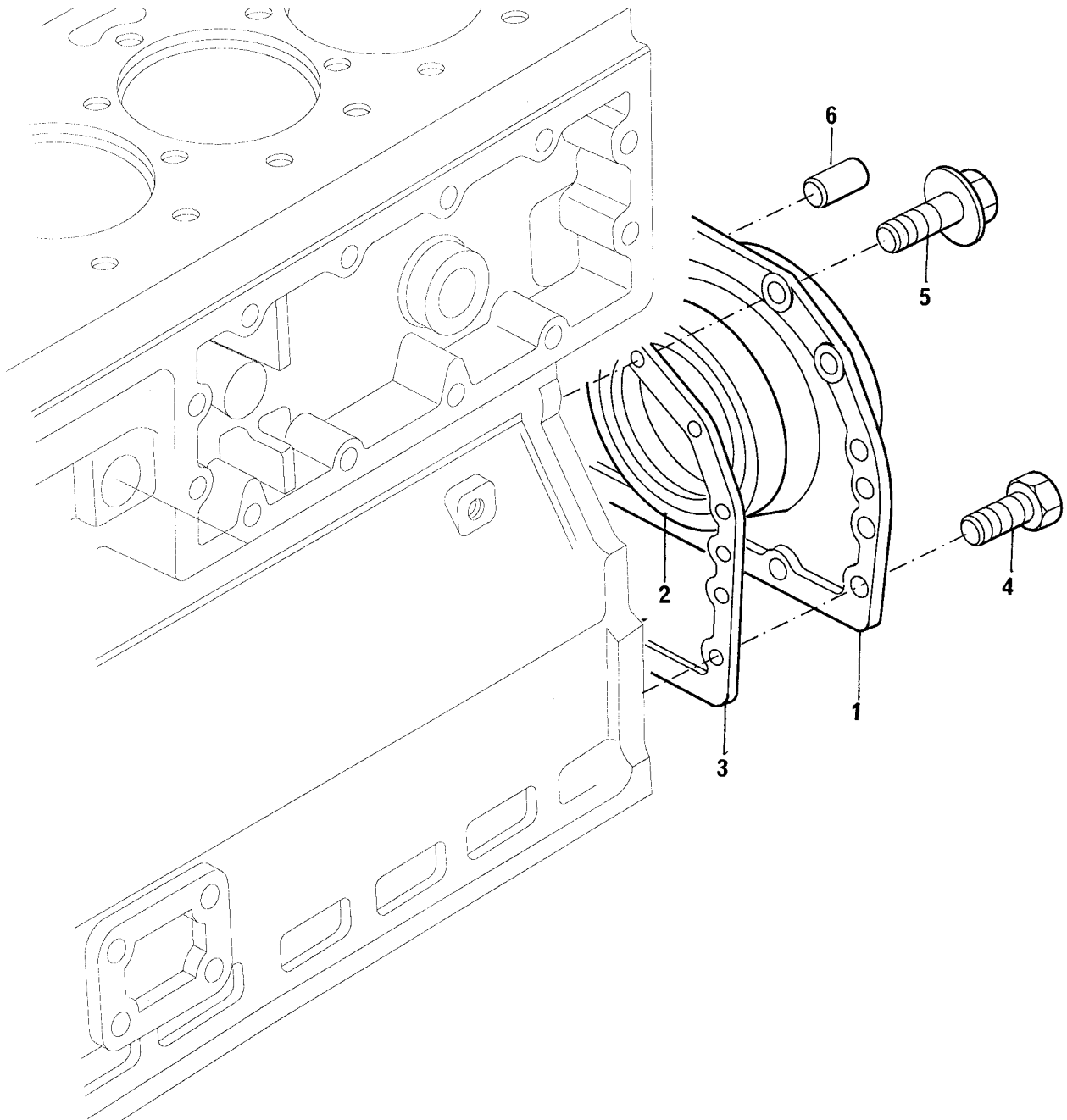
GRUPO  
 GROUP  
 GRUPO  
 GROUPE

18/53

1	S1010		1	EIXO BALANCEIRO	ROCKERSHAFT ASSY	EJE BALANCINES	RAMPE CULBUTEURS
2	S1011	1	1	EIXO	SHAFT	EJE	ARBRE
3	0650507	2	1	BUJÃO	PLUG	TAPÓN	BOUCHON
4	0170151	1	2	ANEL TRAVA	CIRCLIP	ARO RETÉN	CIRCLIP
5	33117434	1	2	ARRUELA	WASHER	ARANDELA	RONDELLE
6	31744123	1	4	MOLA	SPRING	RESORTE	RESSORT
7	31743108	1	2	MOLA	SPRING	RESORTE	RESSORT
8	70100716	1	6	SUPORTE	BRACKET	SOPORTE	SUPPORT
9	70998095	1	6	BALANCEIRO	ROCKER LEVER	BALANCÍN	CULBUTEUR
10	2511425	9	6	BUCHA	BUSH	BUJE	BAGUE
11	70998096	1	6	BALANCEIRO	ROCKER LEVER	BALANCÍN	CULBUTEUR
12	2511425	11	6	BUCHA	BUSH	BUJE	BAGUE
13	35511111	1	1	TUBO	PIPE	CAÑO	TUYATERIE
14	2233022		1	PARAFUSO	BOLT	TORNILLO	VIS
15	33811113		1	ANEL VEDAÇÃO	SEALING RING	ANILLO SELLADO	BAGUE ÉTANCHÉITE
16	0720579	1	12	PARAFUSO	BOLT	TORNILLO	VIS
17	0576052	1	12	PORCA	NUT	TUERCA	ÉCROU
18	2313H331		4	PRISIONEIRO	STUD	ESPÁRRAGO	GOUJON
19	2318A605		4	PORCA	NUT	TUERCA	ÉCROU
20	2314J607	M12X50	2	PARAFUSO	BOLT	TORNILLO	VIS
21	70998041		12	VARETA	DISPTICK	VARILLA	JAUGE
22	31434163		12	TUCHO	TAPPET	TAQUE	POUSSOIR
23	33117426		2	ARRUELA	WASHER	ARANDELA	RONDELLE
24	70910060		6	VÁLVULA ADMISSÃO	INLET VALVE	VÁLVULA ADMISIÓN	SOUPAPE ADMISSION
25	70998120		12	VEDADOR	SEAL	DEFLECTOR	DEFLECTEUR
26	3174P405		12	MOLA	SPRING	RESORTE	RESSORT
27	33415118		12	ARRUELA	WASHER	ARANDELA	RONDELLE
28	3342T007		12	CAPA	CAP	CASQUILLO	CUVETTE
29	70998122		24	TRAVA	COTTER	SEGURO CÓNICO	CLAVETTE
30	70910059		6	VALVULA ESCAPE	EXHAUST VALVE	VÁLVULA ESCAPE	SOUPAPE ÉCHAPP

RETENTOR TRASEIRO DA ÁRVORE DE MANIVELAS  
CRANKSHAFT REAR OIL SEAL  
SELLO TRASERO DE ACEITE  
DÉFLECTEUR D'HUILE ARRIERE

GRUPO	20/19
GROUP	20/23
GRUPO	20/24
GROUPE	



RETENTOR TRASEIRO DA ÁRVORE DE MANIVELAS  
CRANKSHAFT REAR OIL SEAL  
SELLO TRASERO DE ACEITE  
DÉFLECTEUR D'HUILE ARRIERE

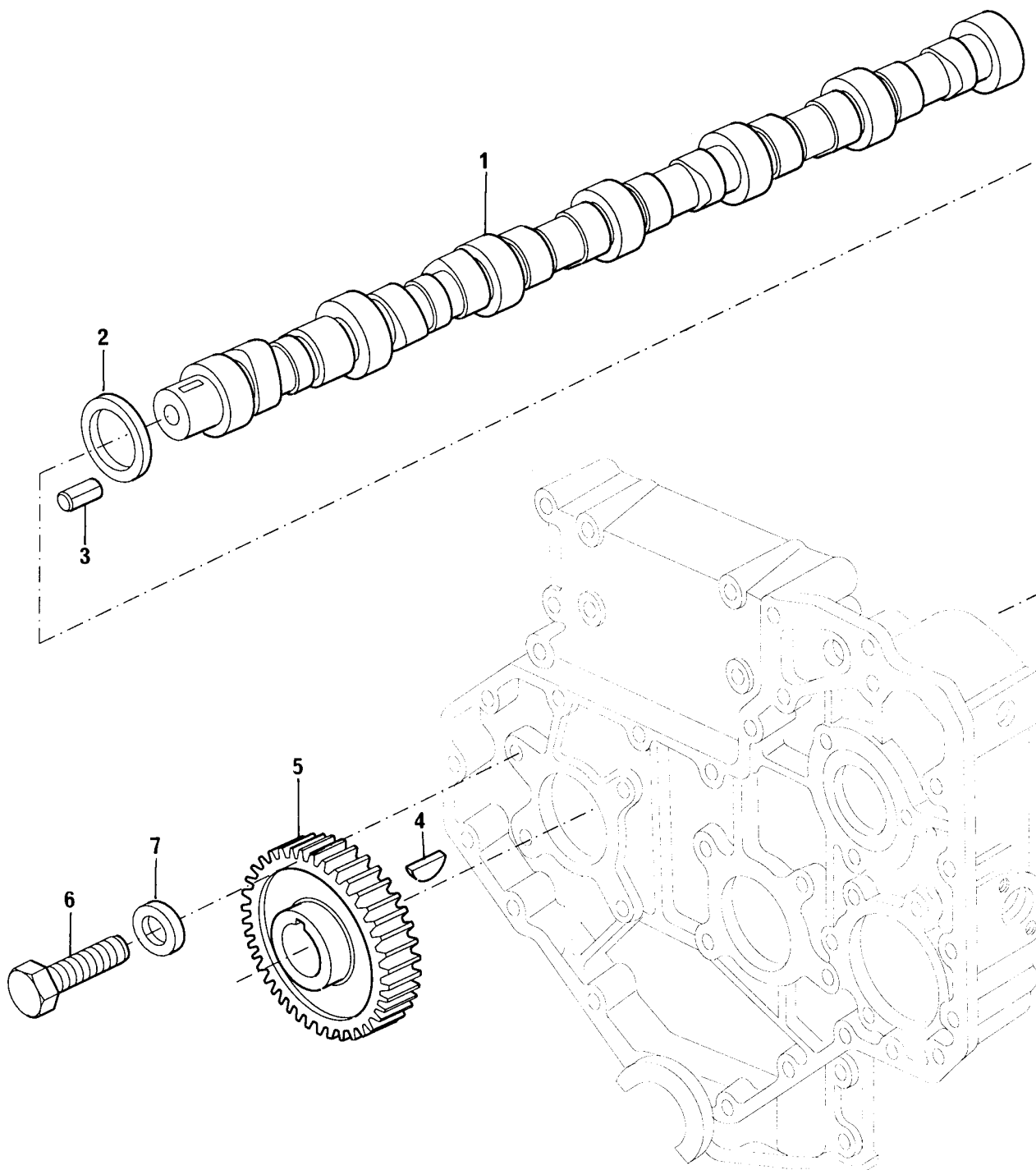
GRUPO 20/19  
GROUP 20/23  
GRUPO 20/24  
GROUPE

1	4142V066		1	CJ. RETENTOR	SEAL-ASSY	CJ. RETÉN	JEU BAGUE ÉTANCHÉITE
2	70730050	1	1	RETENTOR	SEAL	RETÉN	BAGUE ÉTANCHÉITE
3	36817181		1	JUNTA	JOINT	JUNTA	JOINT
4	3212V002		2	PARAFUSO	BOLT	TORNILLO	VIS
5	2314H003	M8X20	12	PARAFUSO	BOLT	TORNILLO	VIS
6	0350012		2	PINO GUIA	DOWEL	ESPIGA	PION

ÁRVORE DE COMANDO DAS VÁLVULAS  
CAMSHAFT  
ARBOL DE LEVAS  
ARBRE A CAMES

GRUPO  
GROUP  
GRUPO  
GROUPE

21/29



**ÁRVORE DE COMANDO DAS VÁLVULAS**  
**CAMSHAFT**  
**ARBOL DE LEVAS**  
**ARBRE A CAMES**

**GRUPO**  
**GROUP**  
**GRUPO**  
**GROUPE**

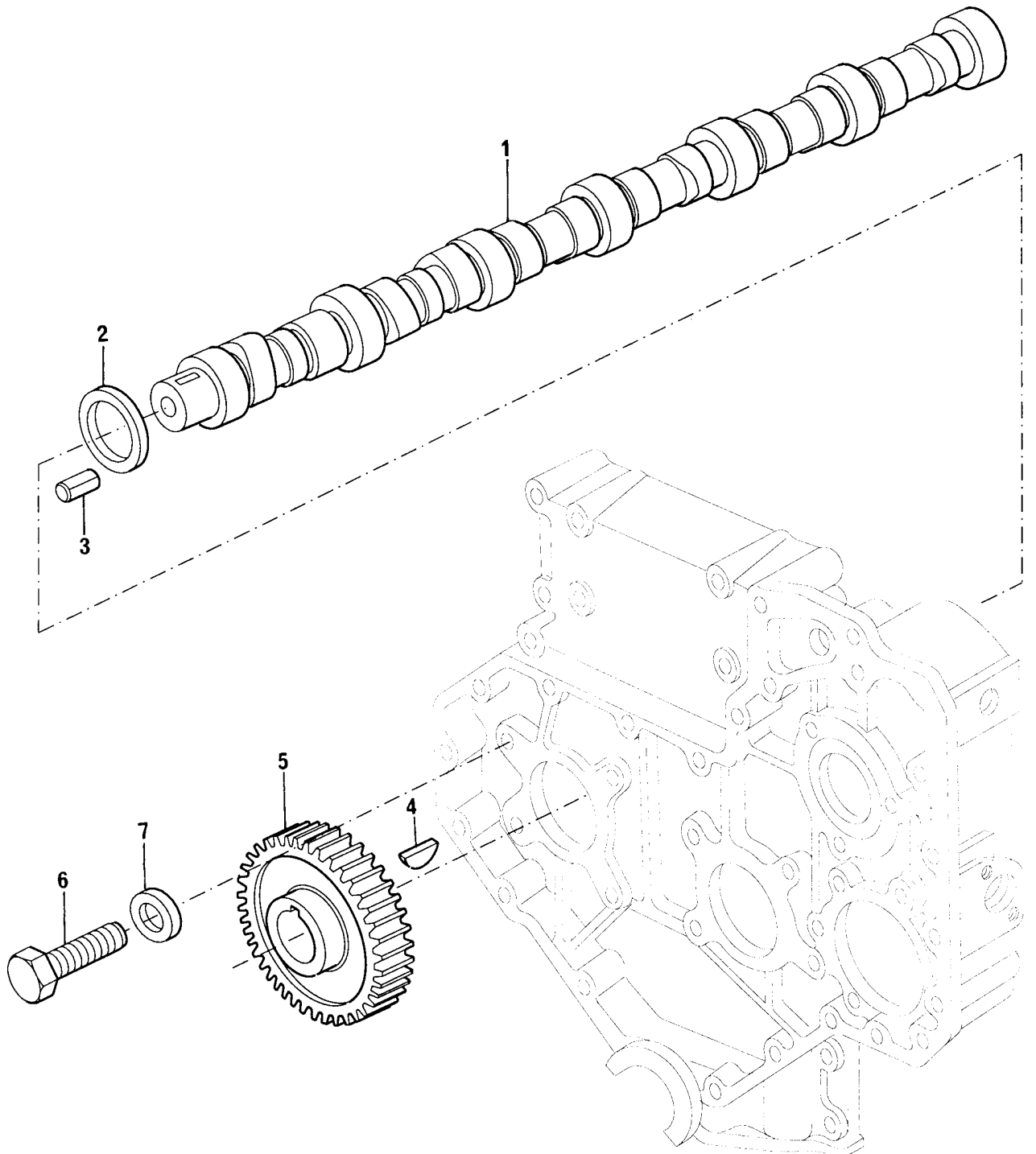
**21/29**

1	31416307	1	ÁRVORE COMANDO	CAMSHAFT	ARBOL DE LEVAS	ARBRE A CAMES
2	33153135	1	ARRUELA	WASHER	ARANDELA	RONDELLE
3	2116053	1	PINO GUIA	DOWEL	ESPIGA	PION
4	0500012	1	CHAVETA	KEY	CHAVETA	CLAVETTE
5	3117L023	1	ENGRENAGEM	GEAR	ENGRANAJE	PIGNON
6	2314J606	1	PARAFUSO	BOLT	TORNILLO	VIS
7	3321A003	1	ARRUELA	WASHER	ARANDELA	RONDELLE

ÁRVORE DE COMANDO DAS VÁLVULAS  
CAMSHAFT  
ARBOL DE LEVAS  
ARBRE A CAMES

GRUPO  
GROUP  
GRUPO  
GROUPE

21/32



**ÁRVORE DE COMANDO DAS VÁLVULAS**  
**CAMSHAFT**  
**ARBOL DE LEVAS**  
**ARBRE A CAMES**

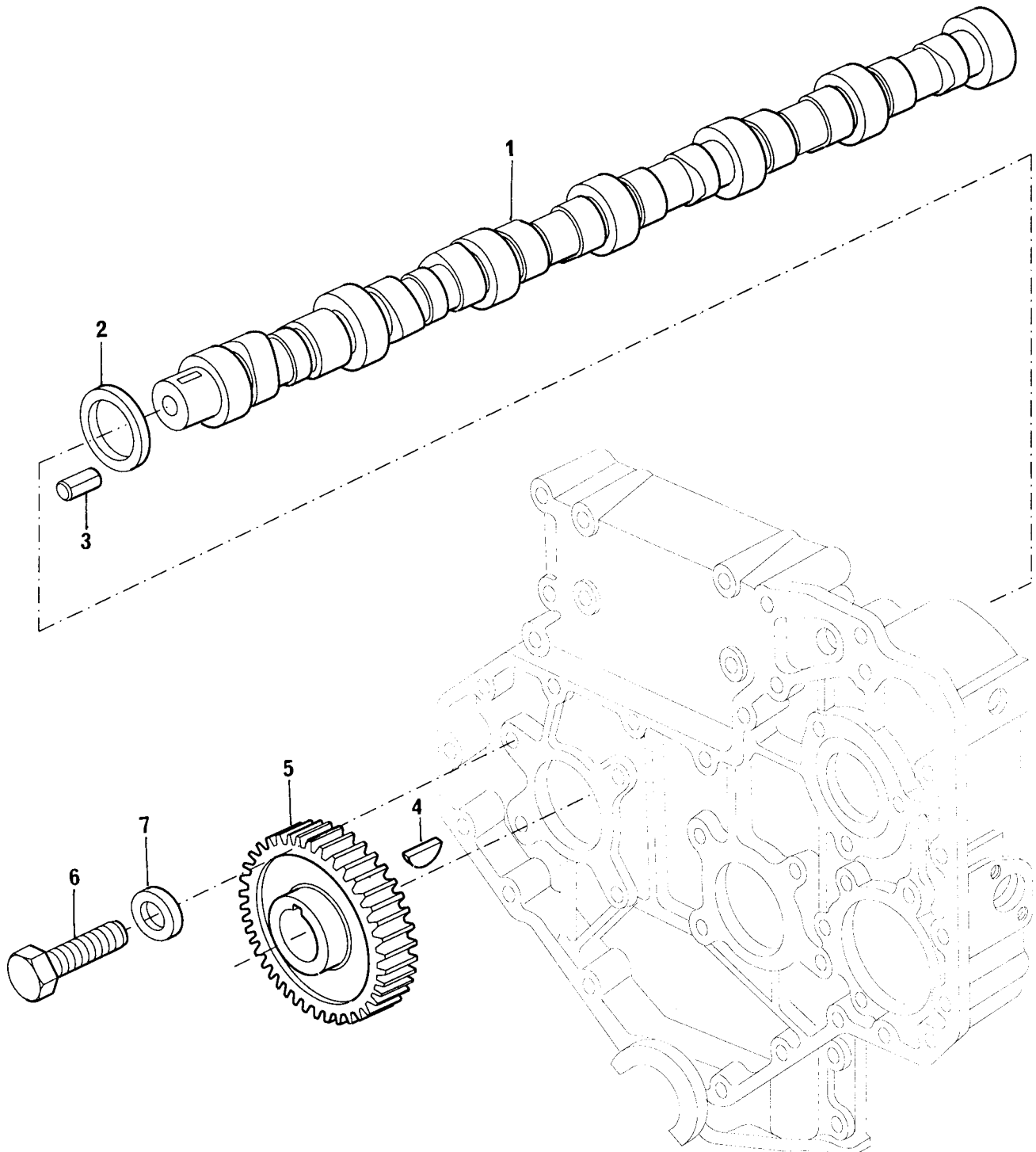
**GRUPO**  
**GROUP** 21/32  
**GRUPO**  
**GROUPE**

1	31416307	1	ÁRVORE COMANDO	CAMSHAFT	ARBOL DE LEVAS	ARBRE A CAMES
2	33153135	1	ARRUELA	WASHER	ARANDELA	RONDELLE
3	2116053	1	PINO GUIA	DOWEL	ESPIGA	PION
4	0500012	1	CHAVETA	KEY	CHAVETA	CLAVETTE
5	3117L012	1	ENGRENAGEM	GEAR	ENGRANAJE	PIGNON
6	2314J606	1	PARAFUSO	BOLT	TORNILLO	VIS
7	3321A003	1	ARRUELA	WASHER	ARANDELA	RONDELLE

ÁRVORE DE COMANDO DAS VÁLVULAS  
CAMSHAFT  
ARBOL DE LEVAS  
ARBRE A CAMES

GRUPO  
GROUP  
GRUPO  
GROUPE

21/36





ÁRVORE DE COMANDO DAS VÁLVULAS  
CAMSHAFT  
ARBOL DE LEVAS  
ARBRE A CAMES

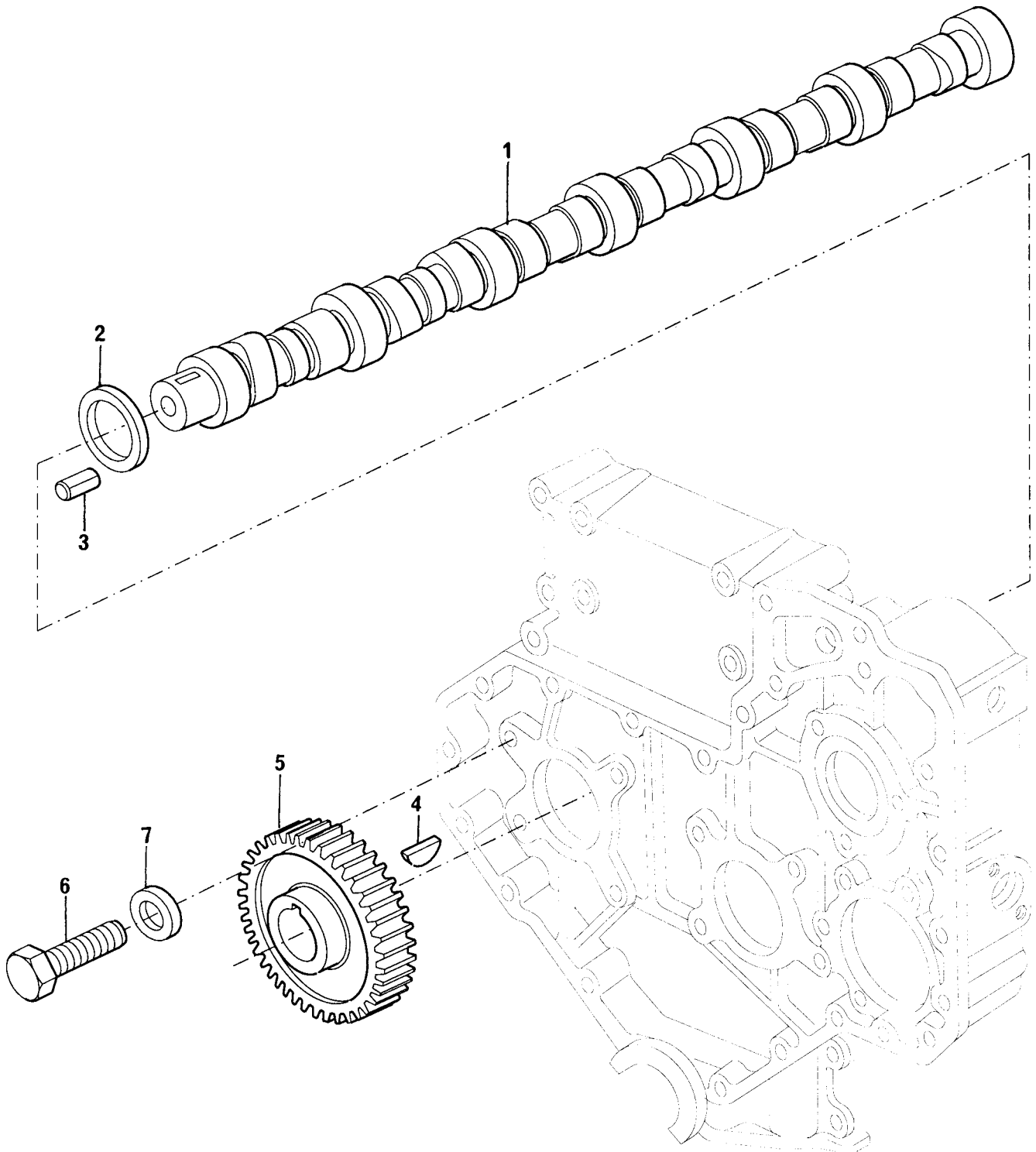
GRUPO  
GROUP 21/36  
GRUPO  
GROUPE

1	31416307		1	ÁRVORE COMANDO	CAMSHAFT	ARBOL DE LEVAS	ARBRE A CAMES
2	33153135		1	ARRUELA	WASHER	ARANDELA	RONDELLE
3	2116053		1	PINO GUIA	DOWEL	ESPIGA	PION
4	0500012		1	CHAVETA	KEY	CHAVETA	CLAVETTE
5	31171931		1	ENGRENAGEM	GEAR	ENGRANAJE	PIGNON
6	2314J606	M12X45	1	PARAFUSO	BOLT	TORNILLO	VIS
7	3321A003		1	ARRUELA	WASHER	ARANDELA	RONDELLE

ÁRVORE DE COMANDO DAS VÁLVULAS  
CAMSHAFT  
ARBOL DE LEVAS  
ARBRE A CAMES

GRUPO  
GROUP  
GRUPO  
GROUPE

21/37



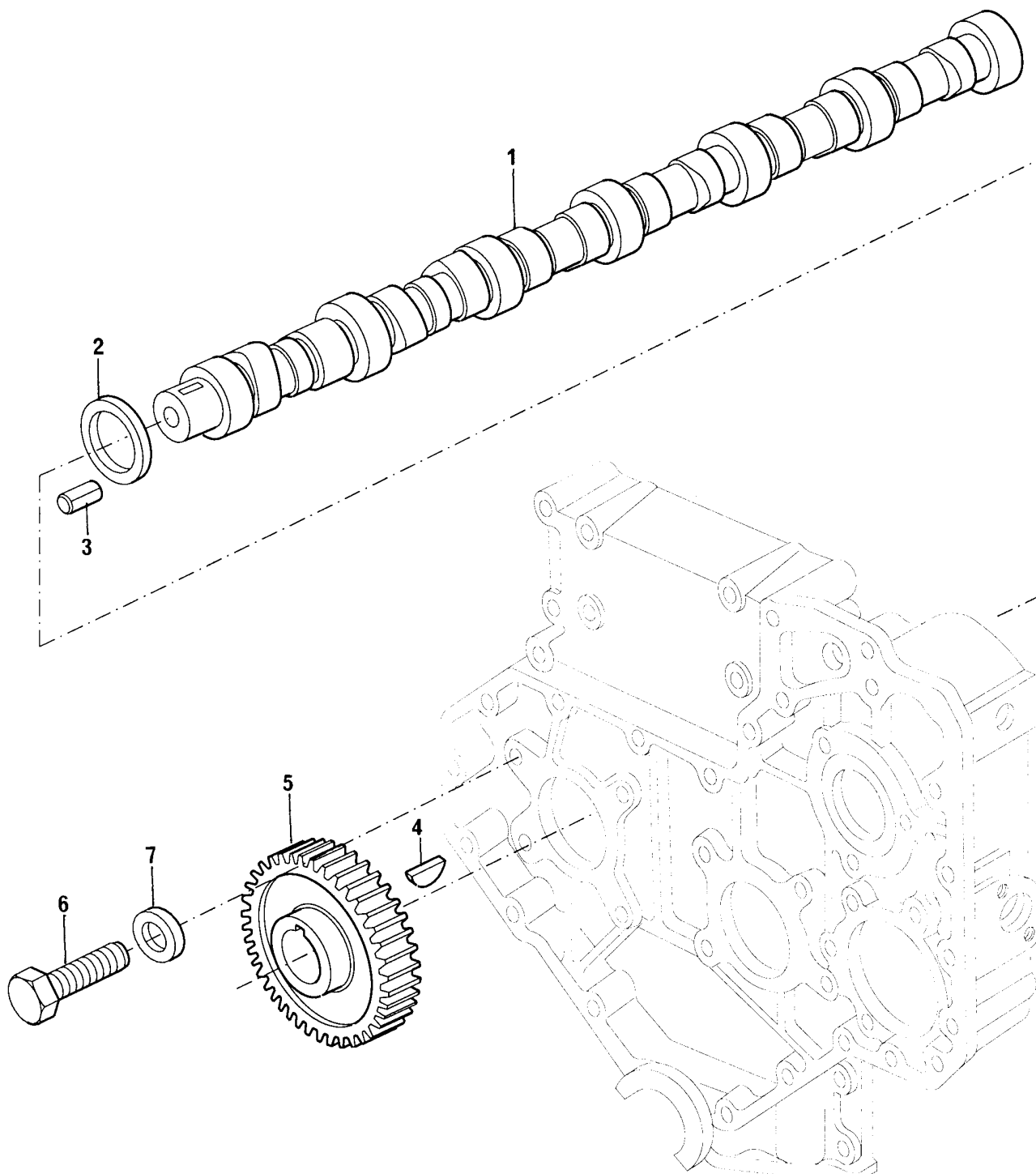
**ÁRVORE DE COMANDO DAS VÁLVULAS**  
**CAMSHAFT**  
**ARBOL DE LEVAS**  
**ARBRE A CAMES**

**GRUPO**  
**GROUP** 21/37  
**GRUPO**  
**GROUPE**

1	31416307		1	ÁRVORE COMANDO	CAMSHAFT	ARBOL DE LEVAS	ARBRE A CAMES
2	33153135		1	ARRUELA	WASHER	ARANDELA	RONDELLE
3	2116053		1	PINO GUIA	DOWEL	ESPIGA	PION
4	0500012		1	CHAVETA	KEY	CHAVETA	CLAVETTE
5	3117L012		1	ENGRENAGEM	GEAR	ENGRANAJE	PIGNON
6	2314J606	M12X45	1	PARAFUSO	BOLT	TORNILLO	VIS
7	3321A003		1	ARRUELA	WASHER	ARANDELA	RONDELLE

ÁRVORE DE COMANDO DAS VÁLVULAS  
CAMSHAFT  
ARBOL DE LEVAS  
ARBRE A CAMES

GRUPO  
GROUP 21/38  
GRUPO 21/40  
GROUPE



**ÁRVORE DE COMANDO DAS VÁLVULAS**  
**CAMSHAFT**  
**ARBOL DE LEVAS**  
**ARBRE A CAMES**

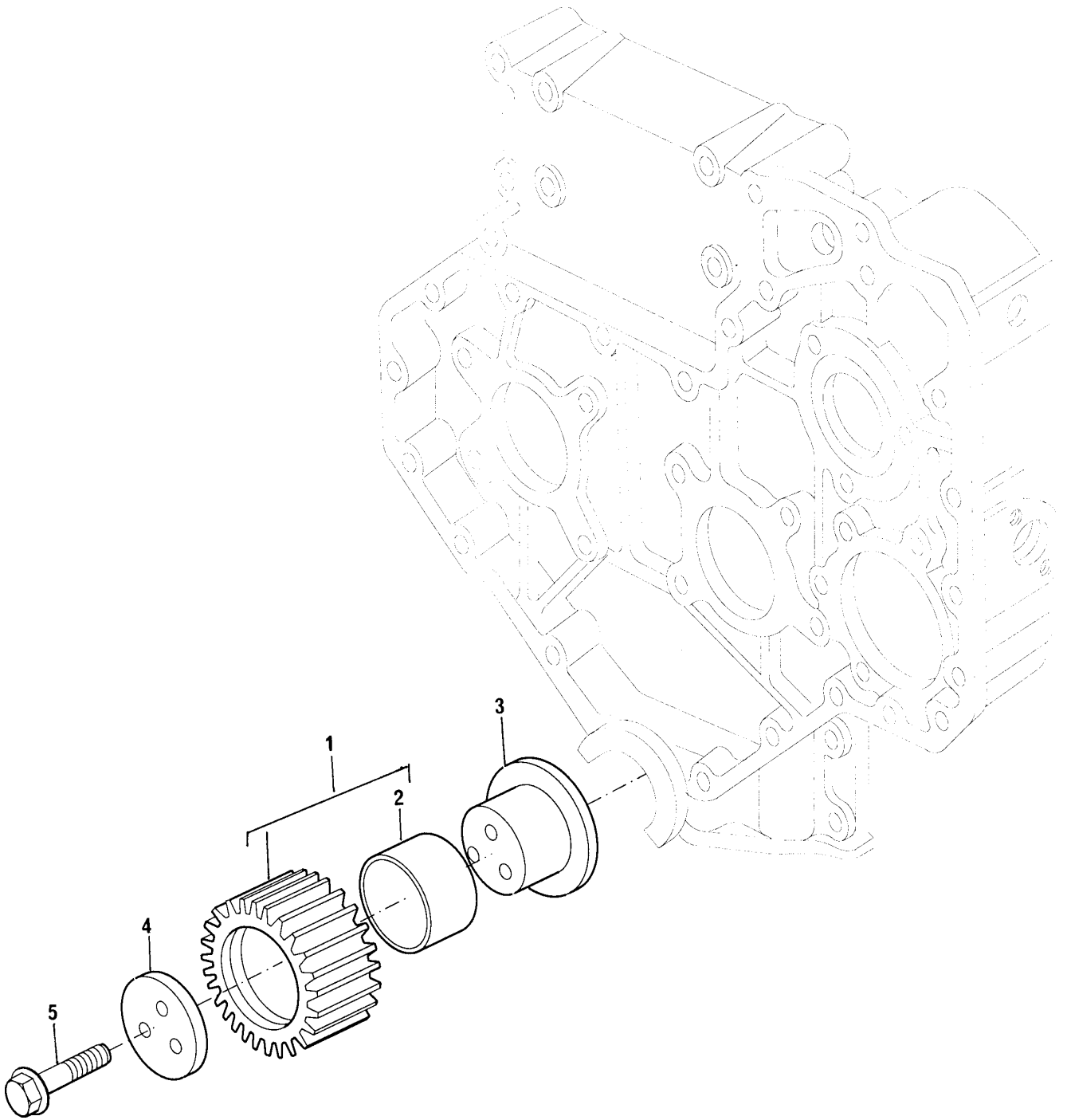
**GRUPO**  
**GROUP** 21/38  
**GRUPO** 21/40  
**GROUPE**

1	31416307		1	ÁRVORE COMANDO	CAMSHAFT	ARBOL DE LEVAS	ARBRE A CAMES
2	33153135		1	ARRUELA	WASHER	ARANDELA	RONDELLE
3	2116053		1	PINO GUIA	DOWEL	ESPIGA	PION
4	0500012		1	CHAVETA	KEY	CHAVETA	CLAVETTE
5	3117L023		1	ENGRENAGEM	GEAR	ENGRANAJE	PIGNON
6	2314J606	M12X45	1	PARAFUSO	BOLT	TORNILLO	VIS
7	3321A003		1	ARRUELA	WASHER	ARANDELA	RONDELLE

ENGRENAGENS INTERMEDIÁRIAS DA DISTRIBUIÇÃO  
IDLEAR GEARS  
ENGRANAJES INTERMÉDIOS DE LA DISTRIBUCIÓN  
PIGNONS INTERMEDIARES DE LA DISTRIBUTION

GRUPO  
GROUP  
GRUPO  
GROUPE

22/15



**ENGRENAGENS INTERMEDIÁRIAS DA DISTRIBUIÇÃO**  
**IDLEAR GEARS**  
**ENGRANAJES INTERMEDIOS DE LA DISTRIBUCIÓN**  
**PIGNONS INTERMEDIARES DE LA DISTRIBUTION**

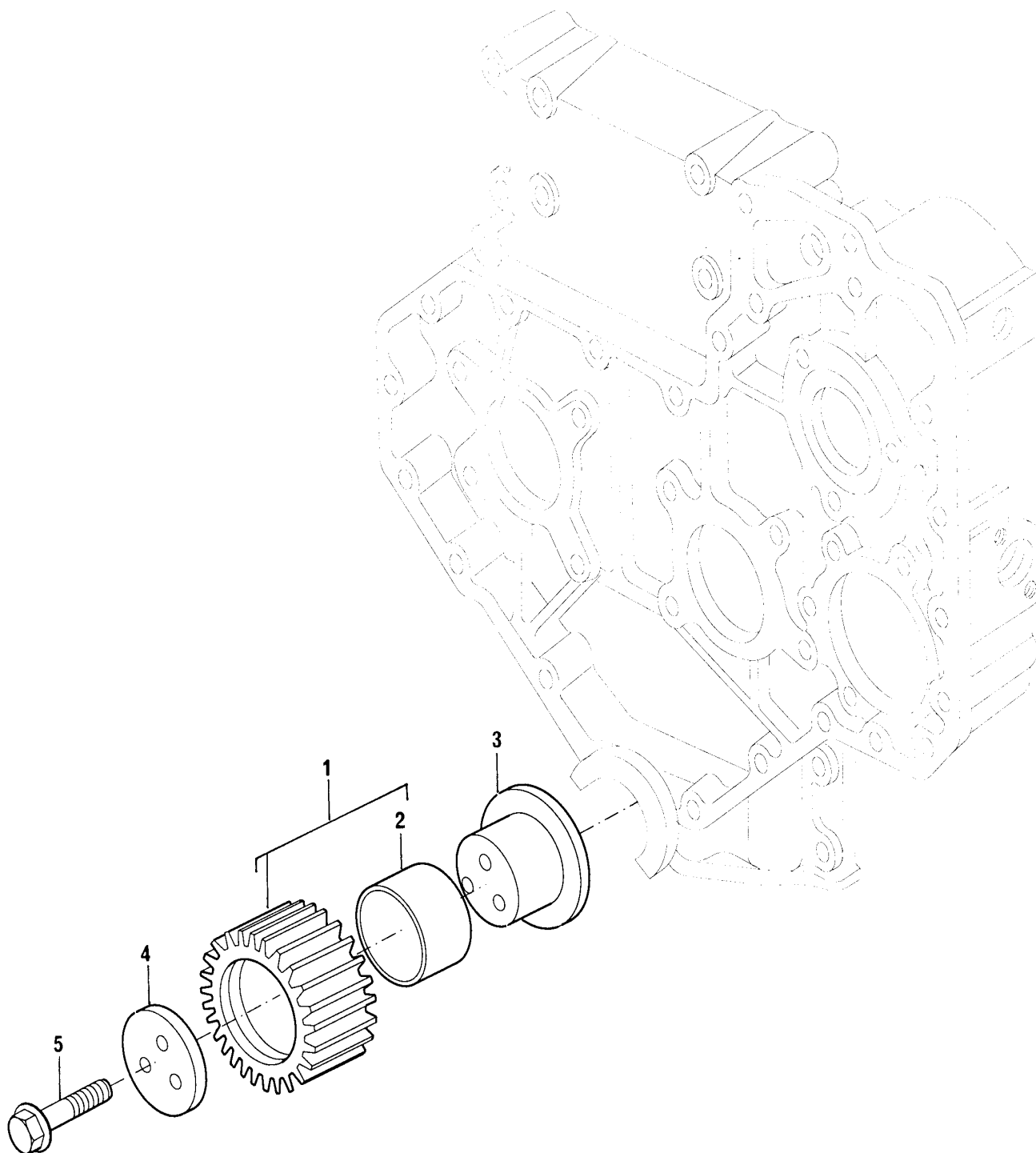
**GRUPO**  
**GROUP** 22/15  
**GRUPO**  
**GROUPE**

1	4111A013		1	ENGRENAGEM	GEAR	ENGRANAJE	PIGNON
2	0050345	1	2	BUCHA	BUSH	BUJE	BAGUE
3	70998172		1	CUBO	HUB	CUBO	MOYEU
4	3241H009		1	PLACA	PLATE	PLACA	PLAQUE
5	2314J010		3	PARAFUSO	BOLT	TORNILLO	VIS

ENGRENAGENS INTERMEDIÁRIAS DA DISTRIBUIÇÃO  
IDLE GEAR  
ENGRANAJES INTERMEDIOS DE LA DISTRIBUCIÓN  
PIGNONS INTERMEDIARES DE LA DISTRIBUTION

GRUPO  
GROUP  
GRUPO  
GROUPE

22/21





**ENGRENAGENS INTERMEDIÁRIAS DA DISTRIBUIÇÃO  
IDLEAR GEARS  
ENGRANAJES INTERMÉDIOS DE LA DISTRIBUCIÓN  
PIGNONS INTERMEDIARES DE LA DISTRIBUTION**

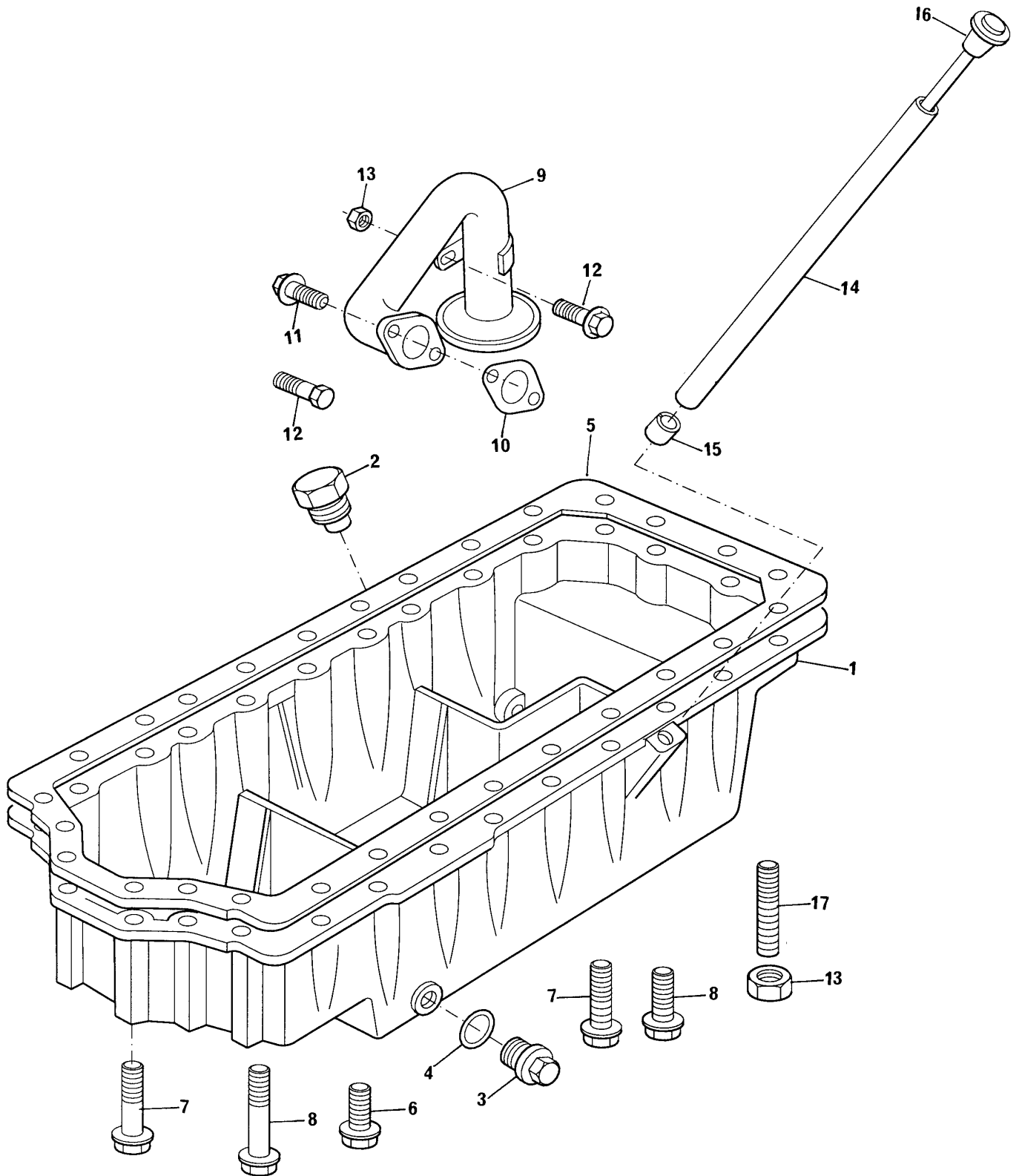
**GRUPO  
GROUP  
GRUPO  
GROUPE** **22/21**

1	41115018		1	ENGRENAGEM	GEAR	ENGRANAJE	PIGNON
2	0050345	1	2	BUCHA	BUSH	BUJE	BAGUE
3	70998172		1	CUBO	HUB	CUBO	MOYEU
4	70940151		1	PLACA	PLATE	PLACA	PLAQUE
5	2314J010	M10X60	3	PARAFUSO	BOLT	TORNILLO	VIS

CARTER DE ÓLEO LUBRIFICANTE  
LUBRICATING OIL SUMP  
CARTER DE ACEITE LUBRIFICANTE  
CARTER À HUILE LUBRIFIANTE

GRUPO  
GROUP  
GRUPO  
GROUPE

31/165



CARTER DE ÓLEO LUBRIFICANTE  
LUBRICATING OIL SUMP  
CARTER DE ACEITE LUBRIFICANTE  
CARTER À HUILE LUBRIFIANTE

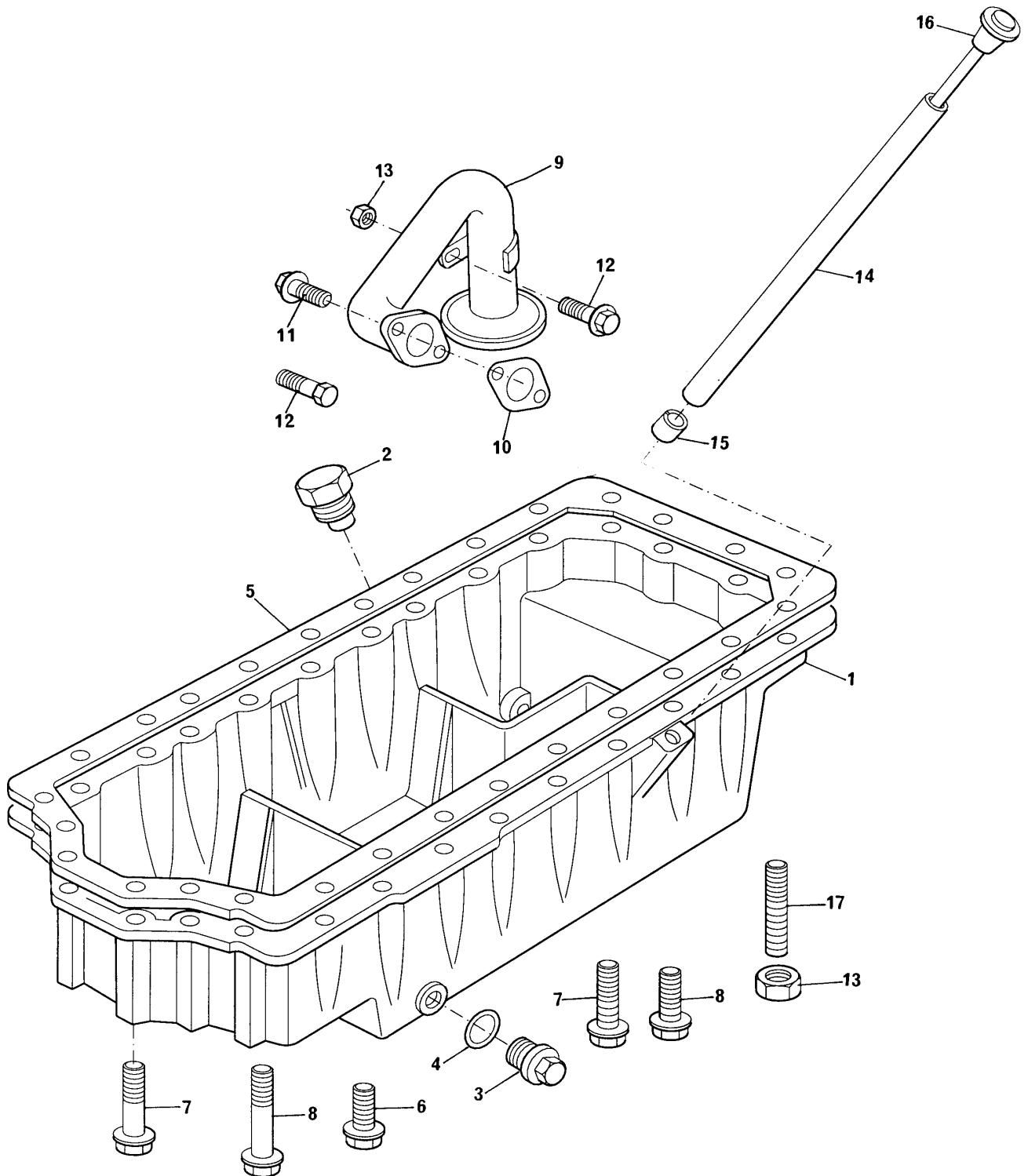
GRUPO  
GROUP 31/165  
GRUPO  
GROUPE

1	3717P171	1	CARTER	SUMP	CÁRTER	CARTER
2	2431A016	1	BUJÃO	PLUG	TAPÓN	BOUCHON
3	32186405	1	BUJÃO	PLUG	TAPÓN	BOUCHON
4	70920109	2	ARRUELA	WASHER	ARANDELA	RONDELLE
5	3681M007	1	JUNTA	JOINT	JUNTA	JOINT
6	2314H012	3	PARAFUSO	BOLT	TORNILLO	VIS
7	2314H019	6	PARAFUSO	BOLT	TORNILLO	VIS
8	2314H007	15	PARAFUSO	BOLT	TORNILLO	VIS
9	3575K007	1	TUBO SUÇÇÃO	PIPE	CAÑO	TUYAUTERIE
10	3683H005	1	JUNTA	JOINT	JUNTA	JOINT
11	2314H004	2	PARAFUSO	BOLT	TORNILLO	VIS
12	2314H002	2	PARAFUSO	BOLT	TORNILLO	VIS
13	2318A603	5	PORCA	NUT	TUERCA	ÉCROU
14	3577A125	1	TUBO	PIPE	CAÑO	TUYAUTERIE
15	33812116	1	OLIVA	OLIVE	OLIVA	OLIVE
16	3178C078	1	VARETA MEDIDORA	DISPTICK	VARILLA NÍVEL	JAUGE
17	2313R082	4	PRISIONEIRO	STUD	ESPÁRRAGO	GOUJON

CARTER DE ÓLEO LUBRIFICANTE  
LUBRICATING OIL SUMP  
CARTER DE ACEITE LUBRIFICANTE  
CARTER À HUILE LUBRIFIANTE

GRUPO  
GROUP  
GRUPO  
GROUPE

31/187



CARTER DE ÓLEO LUBRIFICANTE  
LUBRICATING OIL SUMP  
CARTER DE ACEITE LUBRIFICANTE  
CARTER À HUILE LUBRIFIANTE

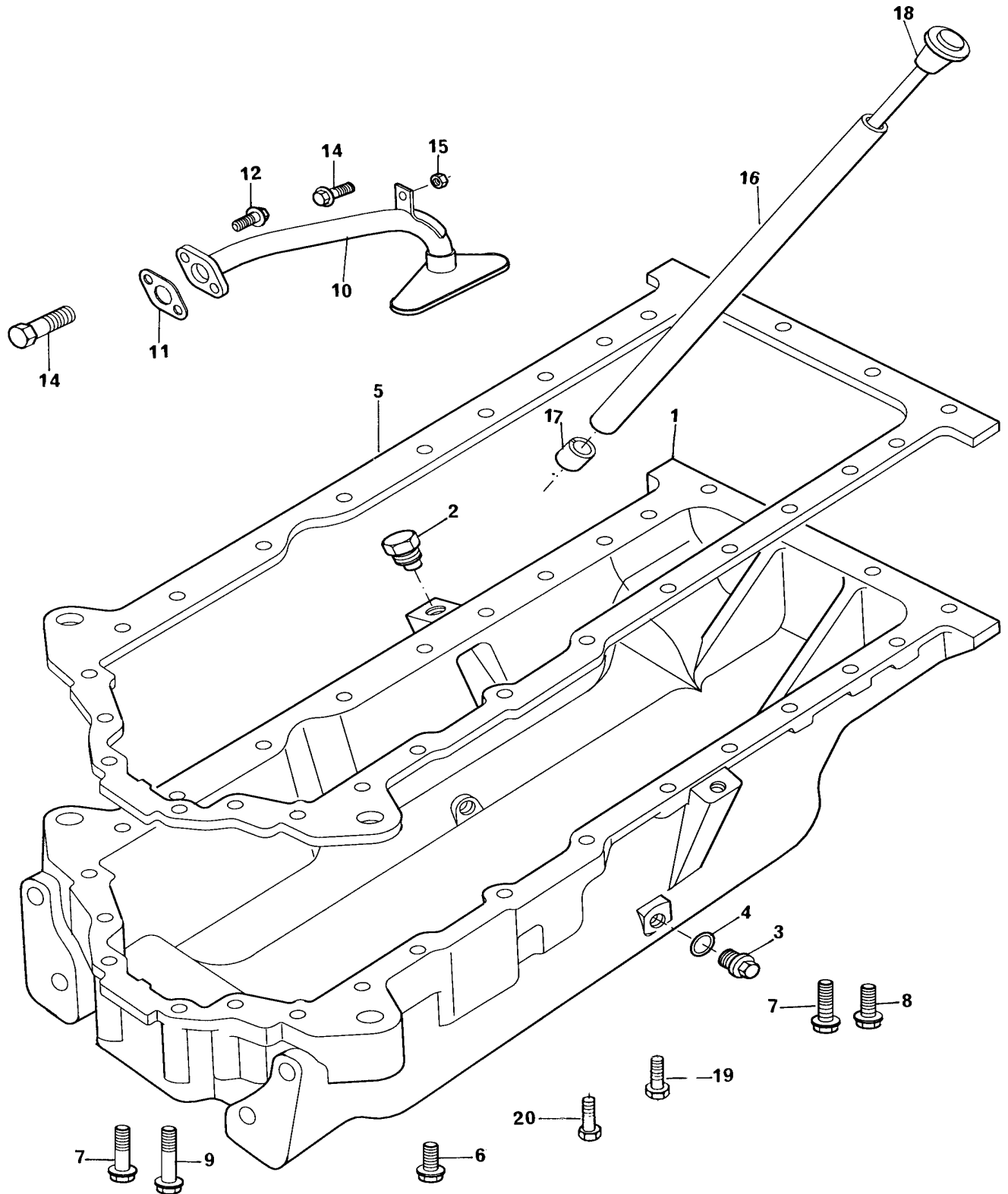
GRUPO  
GROUP 31/187  
GRUPO  
GROUPE

1	3717P171		1	CARTER	SUMP	CÁRTER	CARTER
2	2431A016		1	BUJÃO	PLUG	TAPÓN	BOUCHON
3	32186405		1	BUJÃO	PLUG	TAPÓN	BOUCHON
4	70920109	← 2415715	1	ARRUELA	WASHER	ARANDELA	RONDELLE
5	3681M007		1	JUNTA	JOINT	JUNTA	JOINT
6	2314H012	M8X65	3	PARAFUSO	BOLT	TORNILLO	VIS
7	2314H019	M8X100	6	PARAFUSO	BOLT	TORNILLO	VIS
8	2314H007	M8X40	15	PARAFUSO	BOLT	TORNILLO	VIS
9	3575K007		1	TUBO SUCÇÃO	PIPE	CAÑO	TUYAUTERIE
10	3683H005		1	JUNTA	JOINT	JUNTA	JOINT
11	2314H004	M8X25	2	PARAFUSO	BOLT	TORNILLO	VIS
12	2314H002	M8X16	2	PARAFUSO	BOLT	TORNILLO	VIS
13	2318A603		5	PORCA	NUT	TUERCA	ÉCROU
14	3577A125		1	TUBO	PIPE	CAÑO	TUYAUTERIE
15	33812116		1	OLIVA	OLIVE	OLIVA	OLIVE
16	70320080		1	VARETA MEDIDORA	DISPTICK	VARILLA NÍVEL	JAUGE
17	3211P005		4	PRISIONEIRO	STUD	ESPÁRAGO	GOUJON

CARTER DE ÓLEO LUBRIFICANTE  
LUBRICATING OIL SUMP  
CARTER DE ACEITE LUBRIFICANTE  
CARTER À HUILE LUBRIFIANTE

GRUPO  
GROUP  
GRUPO  
GROUPE

31/188



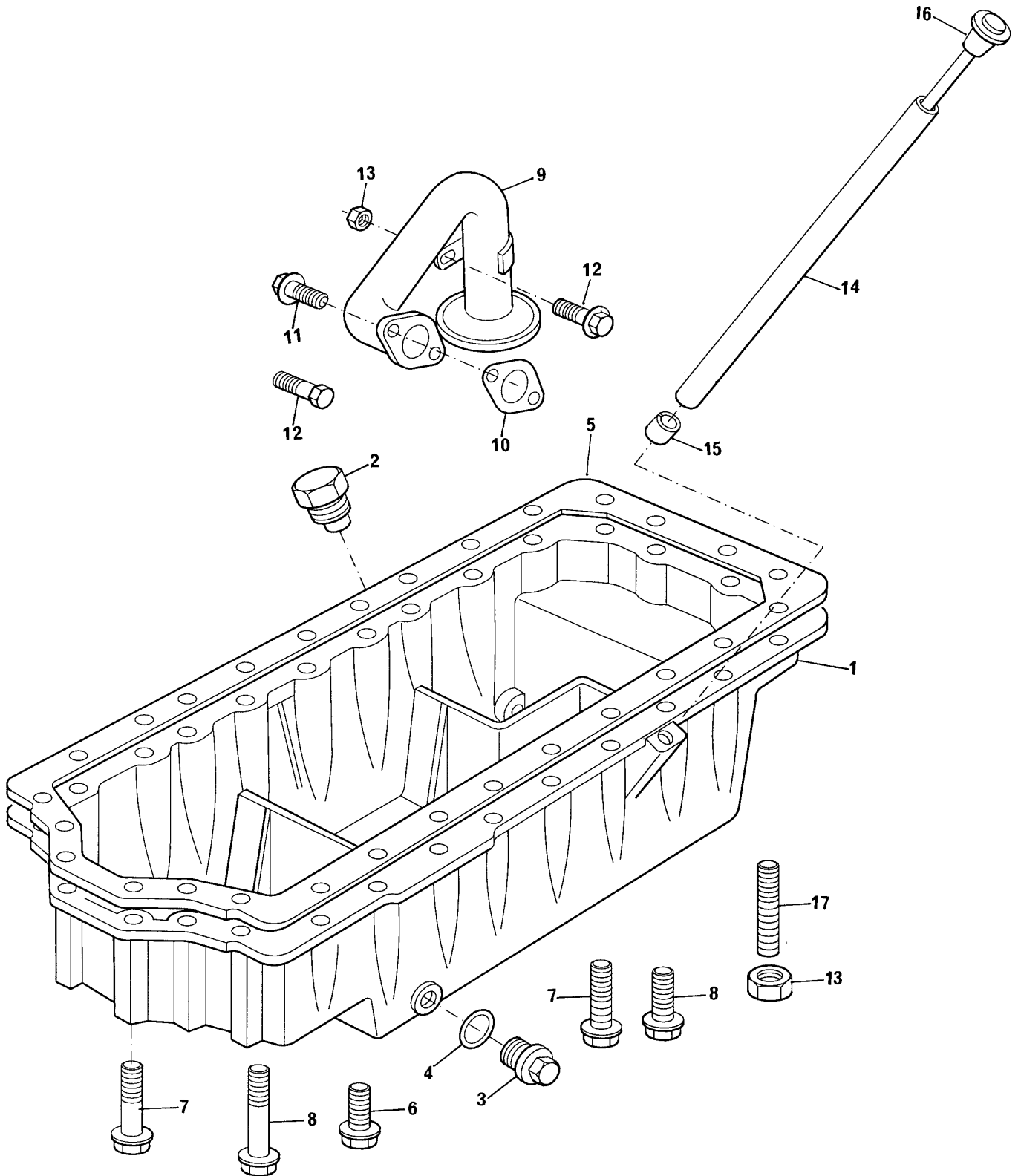
CARTER DE ÓLEO LUBRIFICANTE  
 LUBRICATING OIL SUMP  
 CARTER DE ACEITE LUBRICANTE  
 CARTER À HUILE LUBRIFIANTE

GRUPO  
 GROUP 31/188  
 GRUPO  
 GROUPE

1	3717P221		1	CARTER	SUMP	CÁRTER	CARTER
2	2431A016		1	BUJÃO	PLUG	TAPÓN	BOUCHON
3	32186405		1	BUJÃO	PLUG	TAPÓN	BOUCHON
4	70920109	← 2415715	1	ARRUELA	WASHER	ARANDELA	RONDELLE
5	3681M007		1	JUNTA	JOINT	JUNTA	JOINT
6	2314H052		2	PARAFUSO	BOLT	TORNILLO	VIS
7	2314H019	M8X100	8	PARAFUSO	BOLT	TORNILLO	VIS
8	2314H007	M8X40	3	PARAFUSO	BOLT	TORNILLO	VIS
9	2314H008	M8X45	12	PARAFUSO	BOLT	TORNILLO	VIS
10	3575K013		1	TUBO SUCÇÃO	PIPE	CAÑO	TUYAUTERIE
11	3683H005		1	JUNTA	JOINT	JUNTA	JOINT
12	2314H004	M8X25	2	PARAFUSO	BOLT	TORNILLO	VIS
14	2314H002	M8X16	2	PARAFUSO	BOLT	TORNILLO	VIS
15	2318A603		1	PORCA	NUT	TUERCA	ÉCROU
16	3577A125		1	TUBO	PIPE	CAÑO	TUYAUTERIE
17	33812116		1	OLIVA	OLIVE	OLIVA	OLIVE
18	70320081		1	VARETA MEDIDORA	DISPTICK	VARILLA NÍVEL	JAUGE
19	2314H012	M8X65	1	PARAFUSO	BOLT	TORNILLO	VIS
20	2314H013	M8X70	2	PARAFUSO	BOLT	TORNILLO	VIS

CARTER DE ÓLEO LUBRIFICANTE  
LUBRICATING OIL SUMP  
CARTER DE ACEITE LUBRIFICANTE  
CARTER À HUILE LUBRIFIANTE

GRUPO  
GROUP 31/189  
GRUPO 31/192  
GROUPE





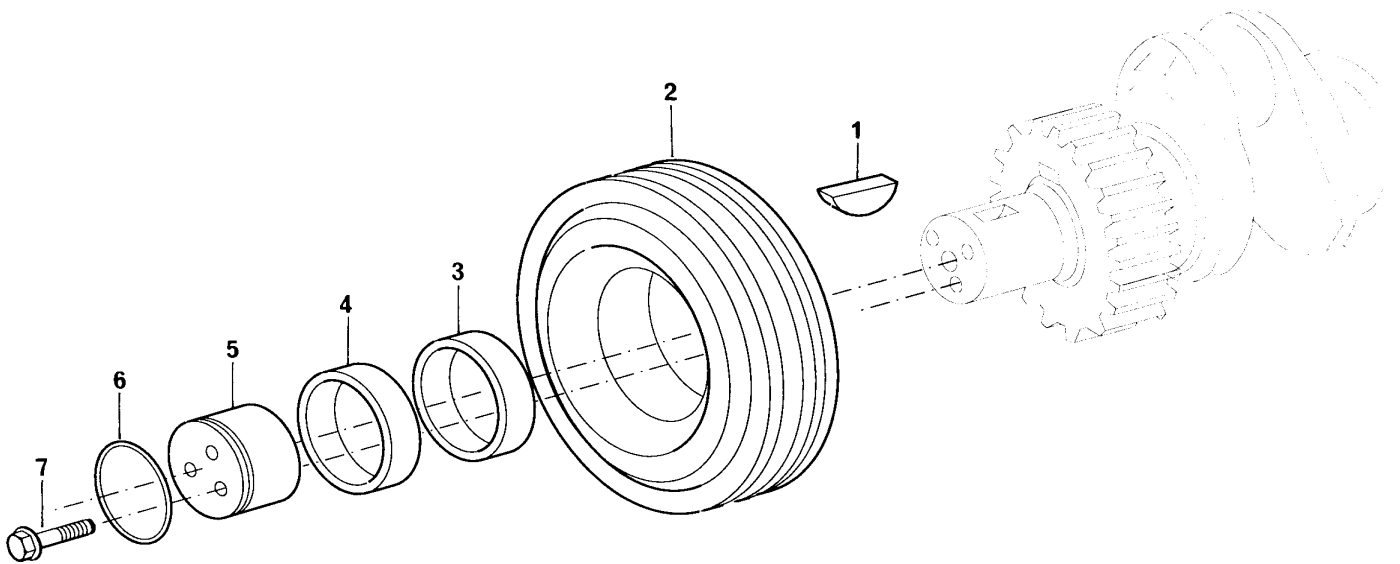
CARTER DE ÓLEO LUBRIFICANTE  
 LUBRICATING OIL SUMP  
 CARTER DE ACEITE LUBRIFICANTE  
 CARTER À HUILE LUBRIFIANTE

GRUPO  
 GROUP 31/189  
 GRUPO 31/192  
 GROUPE

1	3717P171		1	CARTER	SUMP	CÁRTER	CARTER
2	2431A016		1	BUJÃO	PLUG	TAPÓN	BOUCHON
3	32186405		1	BUJÃO	PLUG	TAPÓN	BOUCHON
4	70920109	← 2415715	1	ARRUELA	WASHER	ARANDELA	RONDELLE
5	3681M007		1	JUNTA	JOINT	JUNTA	JOINT
6	2314H012	M8X65	3	PARAFUSO	BOLT	TORNILLO	VIS
7	2314H019	M8X100	6	PARAFUSO	BOLT	TORNILLO	VIS
8	2314H007	M8X40	15	PARAFUSO	BOLT	TORNILLO	VIS
9	3575K007		1	TUBO	PIPE	CAÑO	TUYAUTERIE
10	3683H005		1	JUNTA	JOINT	JUNTA	JOINT
11	2314H004	M8X25	2	PARAFUSO	BOLT	TORNILLO	VIS
12	2314H002	M8X16	2	PARAFUSO	BOLT	TORNILLO	VIS
13	2318A603		5	PORCA	NUT	TUERCA	ÉCROU
14	3577A125		1	TUBO	PIPE	CAÑO	TUYAUTERIE
15	33812116		1	OLIVA	OLIVE	OLIVA	OLIVE
16	70320081		1	VARETA MEDIDORA	DISPTICK	VARILLA NÍVEL	JAUGE
17	3211P005		4	PRISIONEIRO	STUD	ESPÁRRAGO	GOUJON

POLIA DA ÁRVORE DE MANIVELAS  
CRANKSHAFT PULLEY  
POLEA DEL CIGÜENAL  
POULIE DU VILEBREQUIN

GRUPO  
GROUP 32/108  
GRUPO 32/122  
GROUPE



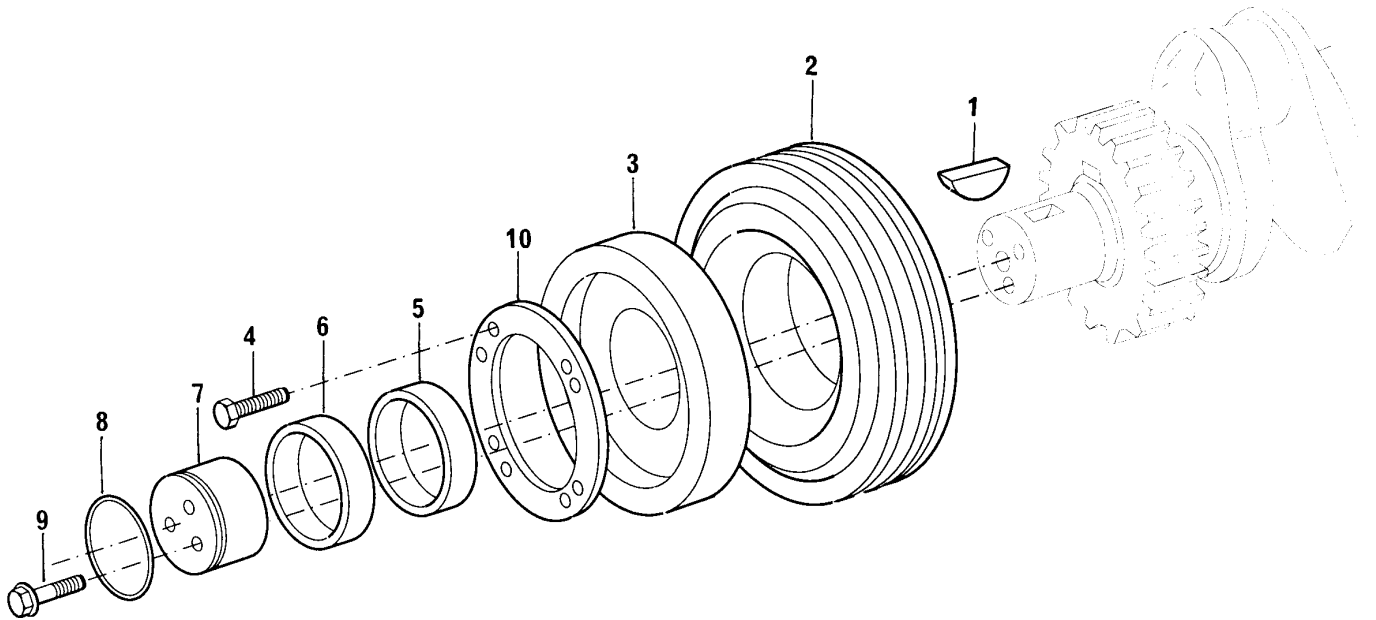
**POLIA DA ÁRVORE DE MANIVELAS**  
**CRANKSHAFT PULLEY**  
**POLEA DEL CIGÜENAL**  
**POULIE DU VILEBREQUIN**

**GRUPO**  
**GROUP** **32/108**  
**GRUPO** **32/122**  
**GROUPE**

1	0500005	1	CHAVETA	KEY	CHAVETA	CLAVETTE
2	3115T043	1	POLIA	PULLEY	POLEA	POULIE
3	3311X002	1	ESPAÇADOR	SPACER	ESPACIADOR	ENTRETOISE
4	2417711	1	ANEL TRAVA	CIRCLIP	ARO RETÉN	CIRCLIP
5	32418313	1	PLACA	PLATE	PLACA	PLAQUE
6	2415638	1	ANEL VEDAÇÃO	SEALING RING	ANILLO SELLADO	BAGUE ÉTANCHÉITE
7	32186137	3	PARAFUSO	BOLT	TORNILLO	VIS

POLIA DA ÁRVORE DE MANIVELAS  
CRANKSHAFT PULLEY  
POLEA DEL CIGÜENAL  
POULIE DU VILEBREQUIN

GRUPO  
GROUP 32/109  
GRUPO 32/121  
GROUPE



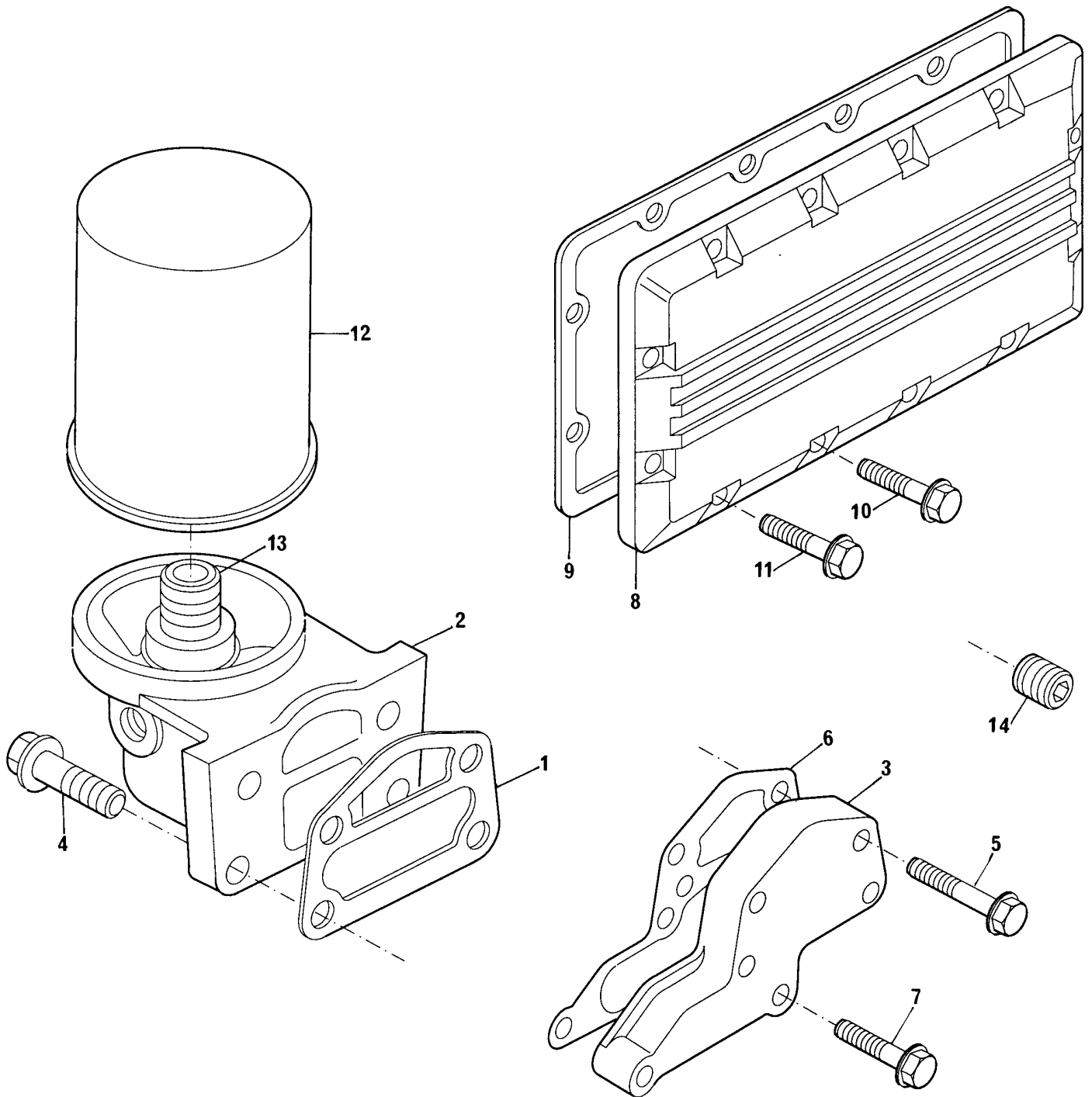
**POLIA DA ÁRVORE DE MANIVELAS**  
**CRANKSHAFT PULLEY**  
**POLEA DEL CIGÜENAL**  
**POULIE DU VILEBREQUIN**

**GRUPO**  
**GROUP** 32/109  
**GRUPO** 32/121  
**GROUPE**

1	0500005		1	CHAVETA	KEY	CHAVETA	CLAVETTE
2	3115T091		1	POLIA	PULLEY	POLEA	POULIE
3	2635601		1	AMORTECEDOR	DAMPER	AMORTIGUADOR	AMORTISSEUR
4	2311D060	M8X25	6	PARAFUSO	BOLT	TORNILLO	VIS
5	3311X002		1	ESPAÇADOR	SPACER	ESPACIADOR	ENTRETOISE
6	2417711		1	ANEL TRAVA	CIRCLIP	ARO RETÉN	CIRCLIP
7	32418313		1	PLACA	PLATE	PLACA	PLAQUE
8	2415638		1	ANEL VEDAÇÃO	SEALING RING	ANILLO SELLADO	BAGUE ÉTANCHÉITE
9	32186137		3	PARAFUSO	BOLT	TORNILLO	VIS
10	3327E009		1	PLACA	PLATE	PLACA	PLAQUE

FILTRO DE ÓLEO LUBRIFICANTE E RESFRIADOR DE ÓLEO  
LUBRICATING OIL FILTER AND OIL COOLER  
FILTRO DE ACEITE LUBRICANTE / REFRIGERADOR DE ACEITE  
FILTRE À HUILE LUBRIFIANTE / REFROIDISSEUR D' HUILE

GRUPO  
GROUP 33/130  
GRUPO  
GRUPE



**FILTRO DE ÓLEO LUBRIFICANTE E RESFRIADOR DE ÓLEO**  
**LUBRICATING OIL FILTER AND OIL COOLER**  
**FILTRO DE ACEITE LUBRIFICANTE / REFRIGERADOR DE ACEITE**  
**FILTRE À HUILE LUBRIFIANTE / REFROIDISSEUR D' HUILE**

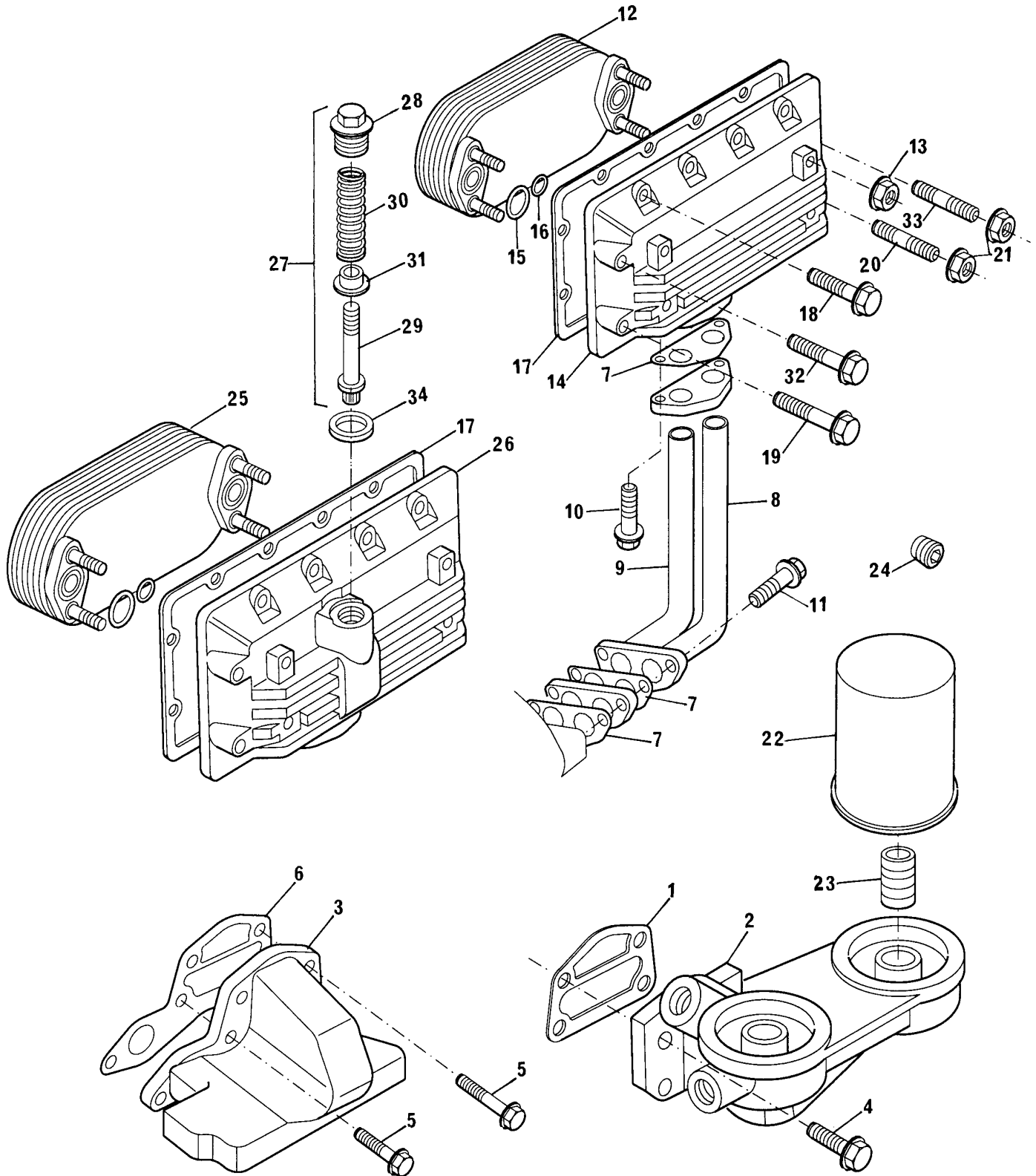
**GRUPO**  
**GROUP** **33/130**  
**GRUPO**  
**GROUPE**

1	3686T006		1	JUNTA	JOINT	JUNTA	JOINT
2	37763052		1	CABEÇOTE FILTRO	CYLINDER HEAD	CULATA	CULASSE
3	3753R152		1	PLACA	PLATE	PLACA	PLAQUE
4	2314J004		4	PARAFUSO	BOLT	TORNILLO	VIS
5	2314J006		2	PARAFUSO	BOLT	TORNILLO	VIS
6	3687Y002		1	JUNTA	JOINT	JUNTA	JOINT
7	2314J008		4	PARAFUSO	BOLT	TORNILLO	VIS
8	3753E001		1	TAMPA	COVER	TAPA	COUVERCLE
9	3684R011		1	JUNTA	JOINT	JUNTA	JOINT
10	2314H003		10	PARAFUSO	BOLT	TORNILLO	VIS
11	2314H033		2	PARAFUSO	BOLT	TORNILLO	VIS
12	71058		1	ELEMENTO	ELEMENT	ELEMENTO	ELEMENT
13	33286126	2	1	CONEXÃO	CONNECTION	CONEXIÓN	RACCORD
14	0650594		1	BUJÃO	PLUG	TAPÓN	BOUCHON

FILTRO DE ÓLEO LUBRIFICANTE E RESFRIADOR DE ÓLEO  
LUBRICATING OIL FILTER AND OIL COOLER  
FILTRO DE ACEITE LUBRICANTE / REFRIGERADOR DE ACEITE  
FILTRE À HUILE LUBRIFIANTE / REFRIGÉRISEUR D' HUILE

GRUPO  
GROUP  
GRUPO  
GROUPE



33/131





**FILTRO DE ÓLEO LUBRIFICANTE E RESFRIADOR DE ÓLEO**  
**LUBRICATING OIL FILTER AND OIL COOLER**  
**FILTRO DE ACEITE LUBRICANTE / REFRIGERADOR DE ACEITE**  
**FILTRE À HUILE LUBRIFIANTE / REFROIDISSEUR D' HUILE**

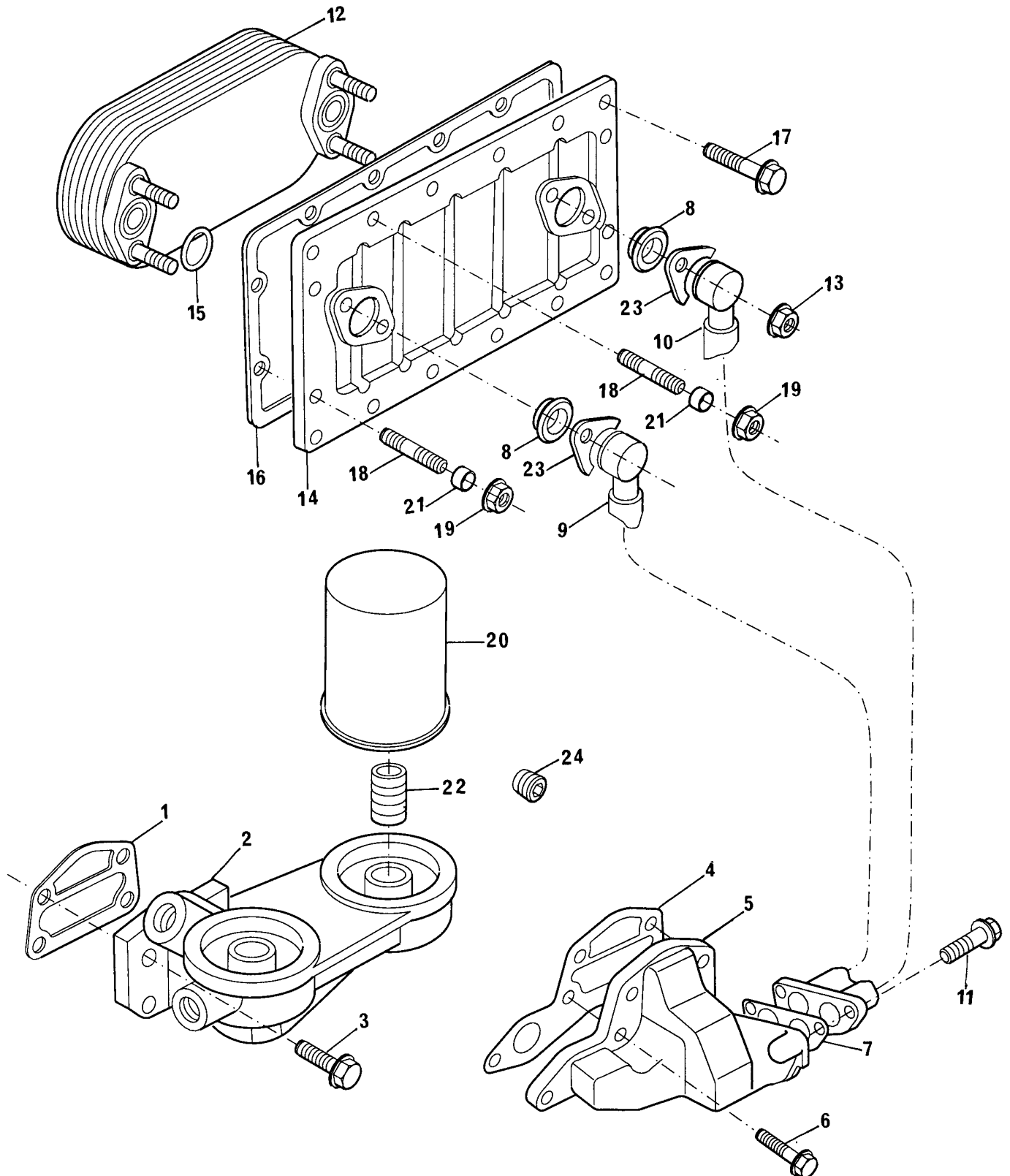
**GRUPO**  
**GROUP** 33/131  
**GRUPO**  
**GROUPE**

1	3686T006		1 JUNTA	JOINT	JUNTA	JOINT
2	41321046		1 CABEÇOTE FILTRO	CYLINDER HEAD	CULATA	CULASSE
3	3773D042		1 ADAPTADOR	ADAPTOR	ADAPTADOR	ADAPTATEUR
4	2314J004		4 PARAFUSO	BOLT	TORNILLO	VIS
5	2314J003		5 PARAFUSO	BOLT	TORNILLO	VIS
6	3687W006		1 JUNTA	JOINT	JUNTA	JOINT
7	3686A511		2 JUNTA	JOINT	JUNTA	JOINT
8	2483A006		1 MANGUEIRA	HOSE	MANGUEIRA	DURITE
9	2483A007		1 MANGUEIRA	HOSE	MANGUEIRA	DURITE
10	2314H010		3 PARAFUSO	BOLT	TORNILLO	VIS
11	2314H004		3 PARAFUSO	BOLT	TORNILLO	VIS
12	2486A971		1 RESFRIADOR	COOLER	REFRIGERADOR	REFROIDISSEUR
13	2318A603		4 PORCA	NUT	TUERCA	ÉCROU
14	3771X141		1 CARCAÇA	HOUSING	CAJA	CARTER
15	2415H031		2 ANEL "O"	"O" RING	ARO SELLO	JOINT TORIQUE
16	2415B402		4 ANEL "O"	"O" RING	ARO SELLO	JOINT TORIQUE
17	3684R011		1 JUNTA	JOINT	JUNTA	JOINT
18	2314H003		9 PARAFUSO	BOLT	TORNILLO	VIS
19	2314K159		1 PARAFUSO	BOLT	TORNILLO	VIS
20	2313M058		2 PRISIONEIRO	STUD	ESPÁRRAGO	GOUJON
21	2318A603		2 PORCA	NUT	TUERCA	ÉCROU
22	71054		2 ELEMENTO	ELEMENT	ELEMENTO	ELEMENT
23	33286134	2	1 CONEXÃO	CONNECTION	CONEXIÓN	RACCORD
24	70650118	 0650586	1 BUJÃO	PLUG	TAPÓN	BOUCHON
25	2486A972		1 RESFRIADOR	COOLER	REFRIGERADOR	REFROIDISSEUR
26	3771X151	 3771X131	1 CARCAÇA	HOUSING	CAJA	CARTER
27	4138A035		1 VÁLVULA	VALVE	VALVULA	SOUPAPE
28	3218V005	27	1 CAPA	CAP	CASQUILLO	CUVETTE
29	3212V001	27	1 PARAFUSO	BOLT	TORNILLO	VIS
30	31744151	27	1 MOLA	SPRING	RESORTE	RESSORT
31	3342A303	27	1 ÊMBOLO	PLUNGER	EMBOLO	PISTÓN
32	2314H005		8 PARAFUSO	BOLT	TORNILLO	VIS
33	2313M060		1 PRISIONEIRO	STUD	ESPÁRRAGO	GOUJON
34	2411A024		1 ARRUELA	WASHER	ARANDELA	RONDELLE

FILTRO DE ÓLEO LUBRIFICANTE E RESFRIADOR DE ÓLEO  
LUBRICATING OIL FILTER AND OIL COOLER  
FILTRO DE ACEITE LUBRICANTE / REFRIGERADOR DE ACEITE  
FILTRE À HUILE LUBRIFIANTE / REFROIDISSEUR D' HUILE

GRUPO  
GROUP  
GRUPO  
GROUPE

33/151



**FILTRO DE ÓLEO LUBRIFICANTE E RESFRIADOR DE ÓLEO**  
**LUBRICATING OIL FILTER AND OIL COOLER**  
**FILTRO DE ACEITE LUBRIFICANTE / REFRIGERADOR DE ACEITE**  
**FILTRE À HUILE LUBRIFIANTE / REFROIDISSEUR D' HUILE**

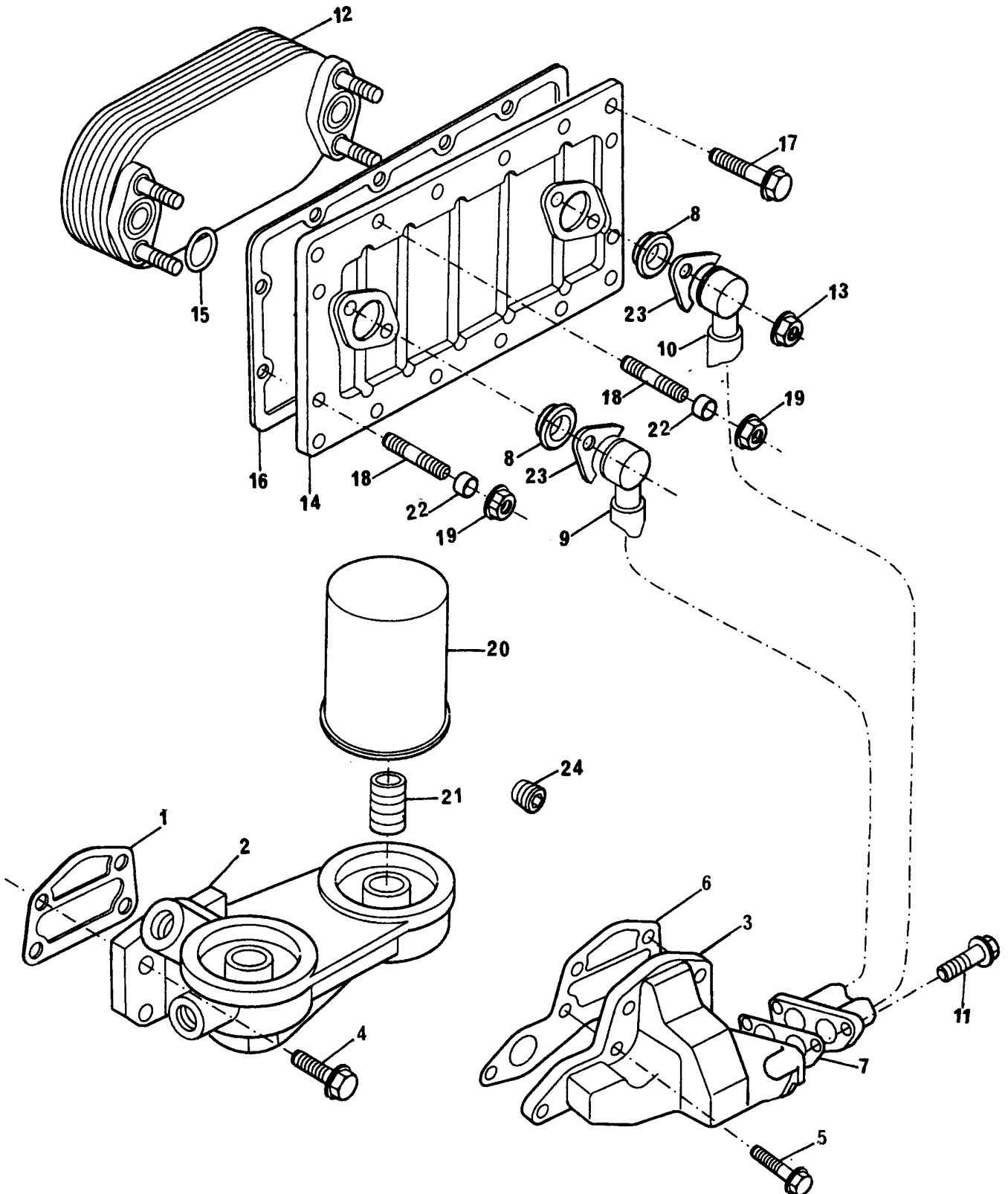
**GRUPO**  
**GROUP** 33/151  
**GRUPO**  
**GROUPE**

1	3686T006		1 JUNTA	JOINT	JUNTA	JOINT
2	41321046		1 CABEÇOTE FILTRO	CYLINDER HEAD	CULATA	CULASSE
3	2314J004	M10X30	4 PARAFUSO	BOLT	TORNILLO	VIS
4	3687W006		1 JUNTA	JOINT	JUNTA	JOINT
5	3773X021		1 ADAPTADOR	ADAPTOR	ADAPTADOR	ADAPTATEUR
6	2314J003	M10X25	5 PARAFUSO	BOLT	TORNILLO	VIS
7	3686A511		1 JUNTA	JOINT	JUNTA	JOINT
8	2418F602		2 ANEL VEDADOR	SEALING RING	ANILLO SELLADO	JOINT TORIQUE
9	2483A015		1 TUBO	PIPE	CAÑO	TUYAUTERIE
10	2483A016		1 TUBO	PIPE	CAÑO	TUYAUTERIE
11	2314H004	M8X25	3 PARAFUSO	BOLT	TORNILLO	VIS
12	2486A981		1 RESFRIADOR	COOLER	REFRIGERADOR	REFROIDISSEUR
13	2318A603		4 PORCA	NUT	TUERCA	ÉCROU
14	2486A976		1 CARÇAÇA	HOUSING	CAJA	CARTER
15	3688X008		2 VEDADOR	SEAL	DEFLECTOR	DEFLECTEUR
16	3684R012		1 JUNTA	JOINT	JUNTA	JOINT
17	2314H002	M8X16	13 PARAFUSO	BOLT	TORNILLO	VIS
18	2313M058		3 PRISIONEIRO	STUD	ESPÁRRAGO	GOUJON
19	2318A603		3 PORCA	NUT	TUERCA	ÉCROU
20	71054		2 ELEMENTO	ELEMENT	ELEMENTO	ELEMENT
21	33134418		3 ESPAÇADOR	SPACER	ESPACIADOR	ENTRETOISE
22	33286134		1 CONEXÃO	CONNECTION	CONEXIÓN	RACCORD
23	3751K121		4 FLANGE	FLANGE	PLETINA	FLASQUE
24	70650118		1 BUJÃO	PLUG	TAPÓN	BOUCHON

FILTRO DE ÓLEO LUBRIFICANTE E RESFRIADOR DE ÓLEO  
LUBRICATING OIL FILTER AND OIL COOLER  
FILTRO DE ACEITE LUBRICANTE / REFRIGERADOR DE ACEITE  
FILTRE À HUILE LUBRIFIANTE / REFROIDISSEUR D' HUILE

GRUPO  
GROUP  
GRUPO  
GROUPE

33/152



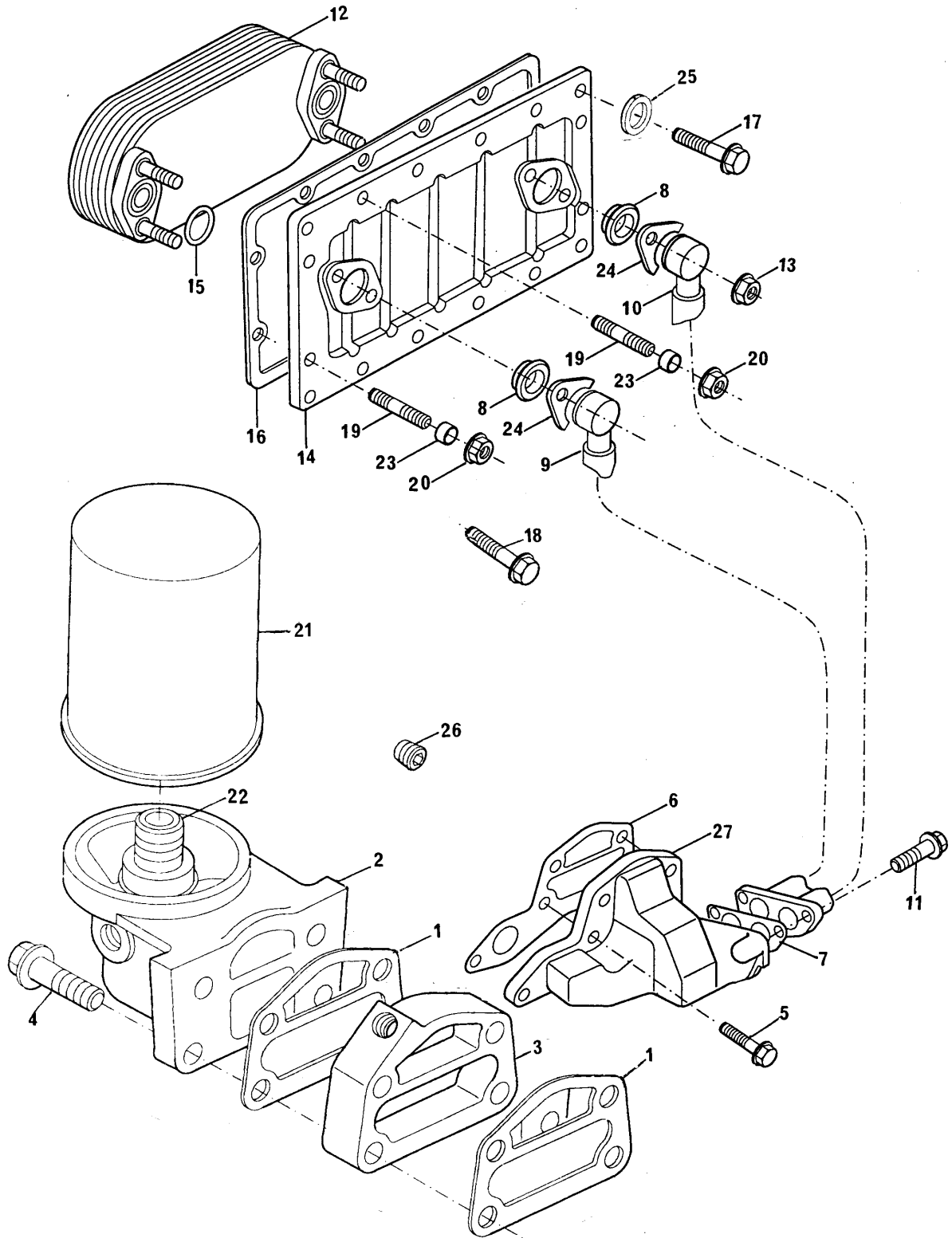
**FILTRO DE ÓLEO LUBRIFICANTE E RESFRIADOR DE ÓLEO**  
**LUBRICATING OIL FILTER AND OIL COOLER**  
**FILTRO DE ACEITE LUBRICANTE / REFRIGERADOR DE ACEITE**  
**FILTRE À HUILE LUBRIFIANTE / REFROIDISSEUR D' HUILE**

**GRUPO**  
**GROUP** 33/152  
**GRUPO**  
**GROUPE**

1	3686T006		1 JUNTA	JOINT	JUNTA	JOINT
2	41321046		1 CABEÇOTE FILTRO	CYLINDER HEAD	CULATA	CULASSE
3	3773X021		1 ADAPTADOR	ADAPTOR	ADAPTADOR	ADAPTATEUR
4	2314J004	M10X30	4 PARAFUSO	BOLT	TORNILLO	VIS
5	2314J003	M10X25	5 PARAFUSO	BOLT	TORNILLO	VIS
6	3687W006		1 JUNTA	JOINT	JUNTA	JOINT
7	3686A511		1 JUNTA	JOINT	JUNTA	JOINT
8	2418F602		2 ANEL VEDADOR	SEALING RING	ANILLO SELLADO	JOINT TORIQUE
9	2483A015		1 TUBO	PIPE	CAÑO	TUYAUTERIE
10	2483A016		1 TUBO	PIPE	CAÑO	TUYAUTERIE
11	2314H004	M8X25	3 PARAFUSO	BOLT	TORNILLO	VIS
12	2486A981		1 RESFRIADOR	COOLER	REFRIGERADOR	REFROIDISSEUR
13	2318A603		4 PORCA	NUT	TUERCA	ÉCROU
14	2486A976		1 CARCAÇA	HOUSING	CAJA	CARTER
15	3688X008		2 VEDADOR	SEAL	DEFLECTOR	DEFLECTEUR
16	3684R012		1 JUNTA	JOINT	JUNTA	JOINT
17	2314H002	M8X16	13 PARAFUSO	BOLT	TORNILLO	VIS
18	2313M058		3 PRISIONEIRO	STUD	ESPÁRRAGO	GOUJON
19	2318A603		3 PORCA	NUT	TUERCA	ÉCROU
20	71054		2 ELEMENTO	ELEMENT	ELEMENTO	ELEMENT
21	33286126	2	2 CONEXÃO	CONNECTION	CONEXIÓN	RACCORD
22	33134418		3 ESPAÇADOR	SPACER	ESPACIADOR	ENTRETOISE
23	3751K121		4 FLANGE	FLANGE	PLETINA	FLASQUE
24	70650118		1 BUJÃO	PLUG	TAPÓN	BOUCHON

FILTRO DE ÓLEO LUBRIFICANTE E RESFRIADOR DE ÓLEO  
LUBRICATING OIL FILTER AND OIL COOLER  
FILTRO DE ACEITE LUBRICANTE / REFRIGERADOR DE ACEITE  
FILTRE À HUILE LUBRIFIANTE / REFROIDISSEUR D' HUILE

GRUPO  
GROUP 33/153  
GRUPO  
GROUPE



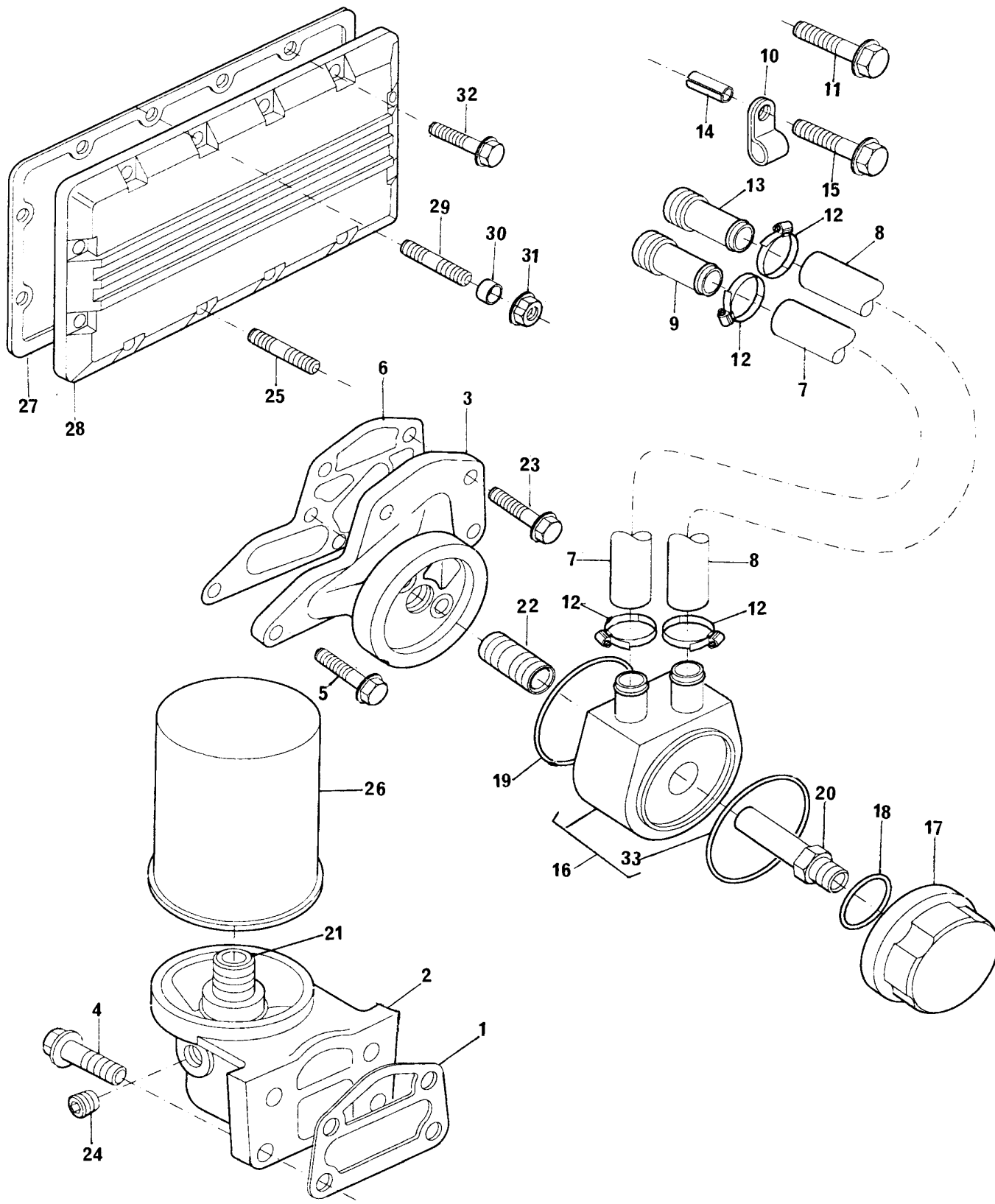
**FILTRO DE ÓLEO LUBRIFICANTE E RESFRIADOR DE ÓLEO**  
**LUBRICATING OIL FILTER AND OIL COOLER**  
**FILTRO DE ACEITE LUBRICANTE / REFRIGERADOR DE ACEITE**  
**FILTRE À HUILE LUBRIFIANTE / REFROIDISSEUR D' HUILE**

**GRUPO**  
**GROUP** 33/153  
**GRUPO**  
**GROUPE**

1	3686T006		2	JUNTA	JOINT	JUNTA	JOINT
2	3773K051		1	CABEÇOTE FILTRO	CYLINDER HEAD	CULATA	CULASSE
3	3773T101		1	ADAPTADOR	ADAPTOR	ADAPTADOR	ADAPTATEUR
4	2314J010		4	PARAFUSO	BOLT	TORNILLO	VIS
5	2314J003	M10X25	5	PARAFUSO	BOLT	TORNILLO	VIS
6	3687W006		1	JUNTA	JOINT	JUNTA	JOINT
7	3686A511		1	JUNTA	JOINT	JUNTA	JOINT
8	2418F602		2	ANEL VEDADOR	SEALING RING	ANILLO SELLADO	JOINT TORIQUE
9	2483A015		1	TUBO	PIPE	CAÑO	TUYAUTERIE
10	2483A016		1	TUBO	PIPE	CAÑO	TUYAUTERIE
11	2314H004	M8X25	3	PARAFUSO	BOLT	TORNILLO	VIS
12	2486A981		1	RESFRIADOR	COOLER	REFRIGERADOR	REFROIDISSEUR
13	2318A603		4	PORCA	NUT	TUERCA	ÉCROU
14	2486A976		1	CARCAÇA	HOUSING	CAJA	CARTER
15	3688X008		2	VEDADOR	SEAL	DEFLECTOR	DEFLECTEUR
16	3684R012		1	JUNTA	JOINT	JUNTA	JOINT
17	2314H032	M8X16	12	PARAFUSO	BOLT	TORNILLO	VIS
18	2314H003	M8X20	1	PARAFUSO	BOLT	TORNILLO	VIS
19	2313M058		3	PRISIONEIRO	STUD	ESPÁRRAGO	GOUJON
20	2318A603		3	PORCA	NUT	TUERCA	ÉCROU
21	71058		1	ELEMENTO	ELEMENT	ELEMENTO	ELEMENT
22	33286126		1	CONEXÃO	CONNECTION	CONEXIÓN	RACCORD
23	33134418		4	ESPAÇADOR	SPACER	ESPACIADOR	ENTRETOISE
24	3751K121		4	FLANGE	FLANGE	PLETINA	FLASQUE
25	2415D002		12	ARRUELA	WASHER	ARANDELA	RONDELLE
26	0650594		1	BUJÃO	PLUG	TAPON	BOUCHON
27	3773X021		1	ADAPTADOR	ADAPTOR	ADAPTADOR	ADAPTATEUR

FILTRO DE ÓLEO LUBRIFICANTE E RESFRIADOR DE ÓLEO  
 LUBRICATING OIL FILTER AND OIL COOLER  
 FILTRO DE ACEITE LUBRICANTE / REFRIGERADOR DE ACEITE  
 FILTRE À HUILE LUBRIFIANTE / REFROIDISSEUR D' HUILE

GRUPO  
 GROUP 33/154  
 GRUPO  
 GROUPE





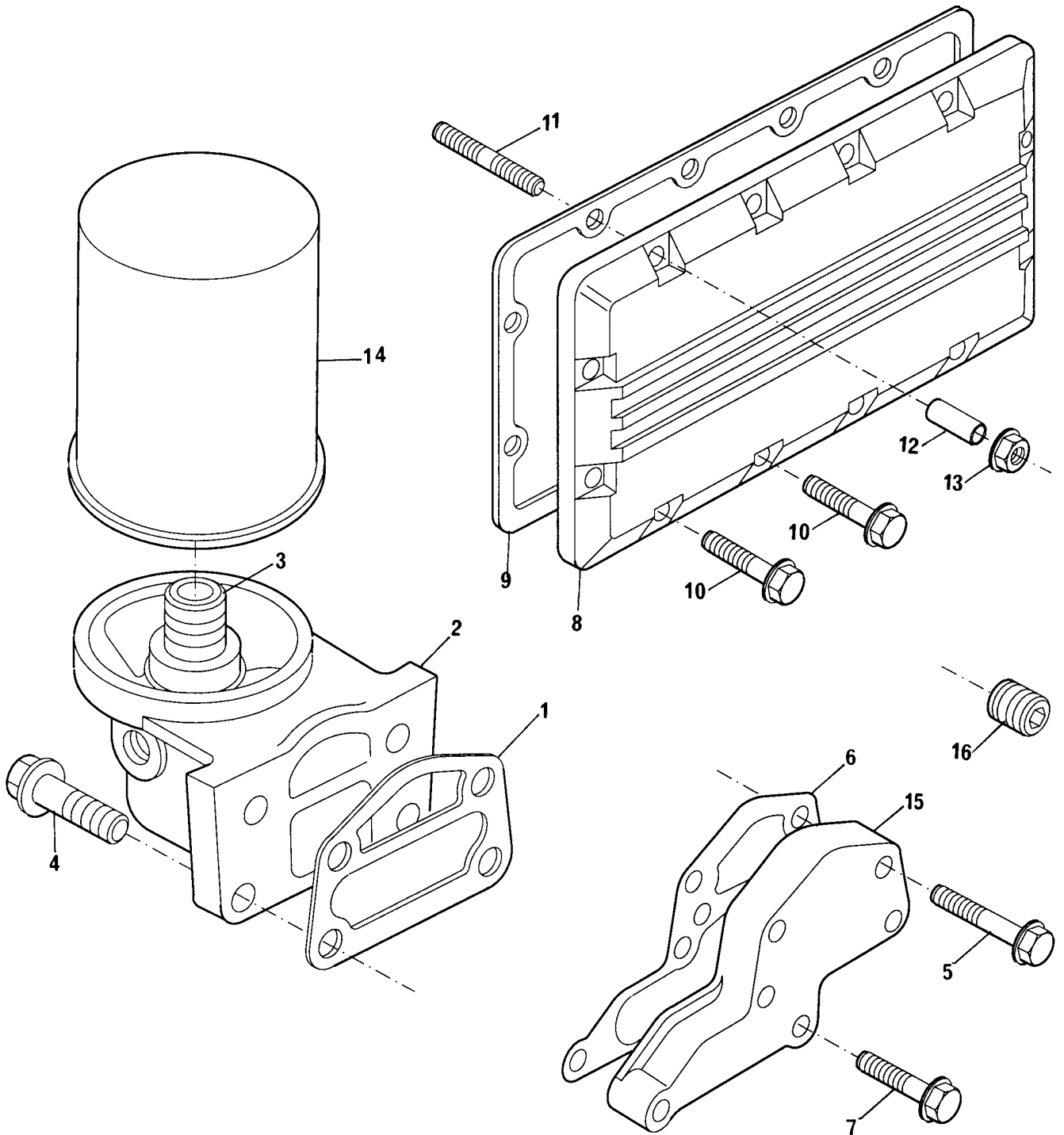
**FILTRO DE ÓLEO LUBRIFICANTE E RESFRIADOR DE ÓLEO**  
**LUBRICATING OIL FILTER AND OIL COOLER**  
**FILTRO DE ACEITE LUBRICANTE / REFRIGERADOR DE ACEITE**  
**FILTRE À HUILE LUBRIFIANTE / REFROIDISSEUR D' HUILE**

**GRUPO**  
**GROUP** 33/154  
**GRUPO**  
**GROUPE**

1	3686T006		1 JUNTA	JOINT	JUNTA	JOINT
2	3773K051		1 CABEÇOTE FILTRO	CYLINDER HEAD	CULATA	CULASSE
3	3773T151		1 ADAPTADOR	ADAPTOR	ADAPTADOR	ADAPTATEUR
4	2314J004	M10X30	4 PARAFUSO	BOLT	TORNILLO	VIS
5	2311D081		2 PARAFUSO	BOLT	TORNILLO	VIS
6	3687W022		1 JUNTA	JOINT	JUNTA	JOINT
7	3482V141		1 TUBO	PIPE	CAÑO	TUYAUTERIE
8	3482V139		1 TUBO	PIPE	CAÑO	TUYAUTERIE
9	33552414		1 CONEXÃO	CONNECTION	CONEXION	RACCORD
10	2481D156		3 PRESILHA	CLIP	SUJETADOR	AGRAFE
11	2314J001	M10X16	1 PARAFUSO	BOLT	TORNILLO	VIS
12	2481877		4 PRESILHA	CLIP	SUJETADOR	AGRAFE
13	3346C006		1 ADAPTADOR	ADAPTOR	ADAPTADOR	ADAPTATEUR
14	33283111		1 TUBO	PIPE	CAÑO	TUYAUTERIE
15	2314J010	M10X60	1 PARAFUSO	BOLT	TORNILLO	VIS
16	2486A207		1 RESFRIADOR	COOLER	REFRIGERADOR	REFROIDISSEUR
17	3746E001		1 CAPA	CAP	CASQUILHO	CUVETTE
18	2315B363		1 ANEL "O"	"O" RING	ARO SELLO	JOINT TORIQUE
19	33813131		1 ANEL VEDADOR	SEALING RING	ANILLO SELLADO	BAGUE ÉTANCHEITE
20	2486A209		1 CONEXÃO	CONNECTION	CONEXION	RACCORD
21	33286126	2	1 CONEXÃO	CONNECTION	CONEXION	RACCORD
22	33286143		1 CONEXÃO	CONNECTION	CONEXION	RACCORD
23	2314J004	M10X30	4 PARAFUSO	BOLT	TORNILLO	VIS
24	0650594		1 BUJÃO	PLUG	TAPON	BOUCHON
25	3278H006		2 PRISIONEIRO	STUD	ESPÁRRAGO	GOUJON
26	71058		1 ELEMENTO	ELEMENT	ELEMENTO	ELEMENT
27	3684R012		1 JUNTA	JOINT	JUNTA	JOINT
28	2486A975		1 PLACA	PLATE	PLACA	PLAQUE
29	2313M058		3 PRISIONEIRO	STUD	ESPÁRRAGO	GOUJON
30	33134418		3 ESPAÇADOR	SPACER	ESPACIADOR	ENTRETOISE
31	2318A603		3 PORCA	NUT	TUERCA	ÉCROU
32	2314H002	M8X16	13 PARAFUSO	BOLT	TORNILLO	VIS
33	2486A211	16	1 JUNTA	JOINT	JUNTA	JOINT

FILTRO DE ÓLEO LUBRIFICANTE E RESFRIADOR DE ÓLEO  
LUBRICATING OIL FILTER AND OIL COOLER  
FILTRO DE ACEITE LUBRICANTE / REFRIGERADOR DE ACEITE  
FILTRE À HUILE LUBRIFIANTE / REFROIDISSEUR D' HUILE

GRUPO  
GROUP 33/155  
GRUPO  
GROUPE



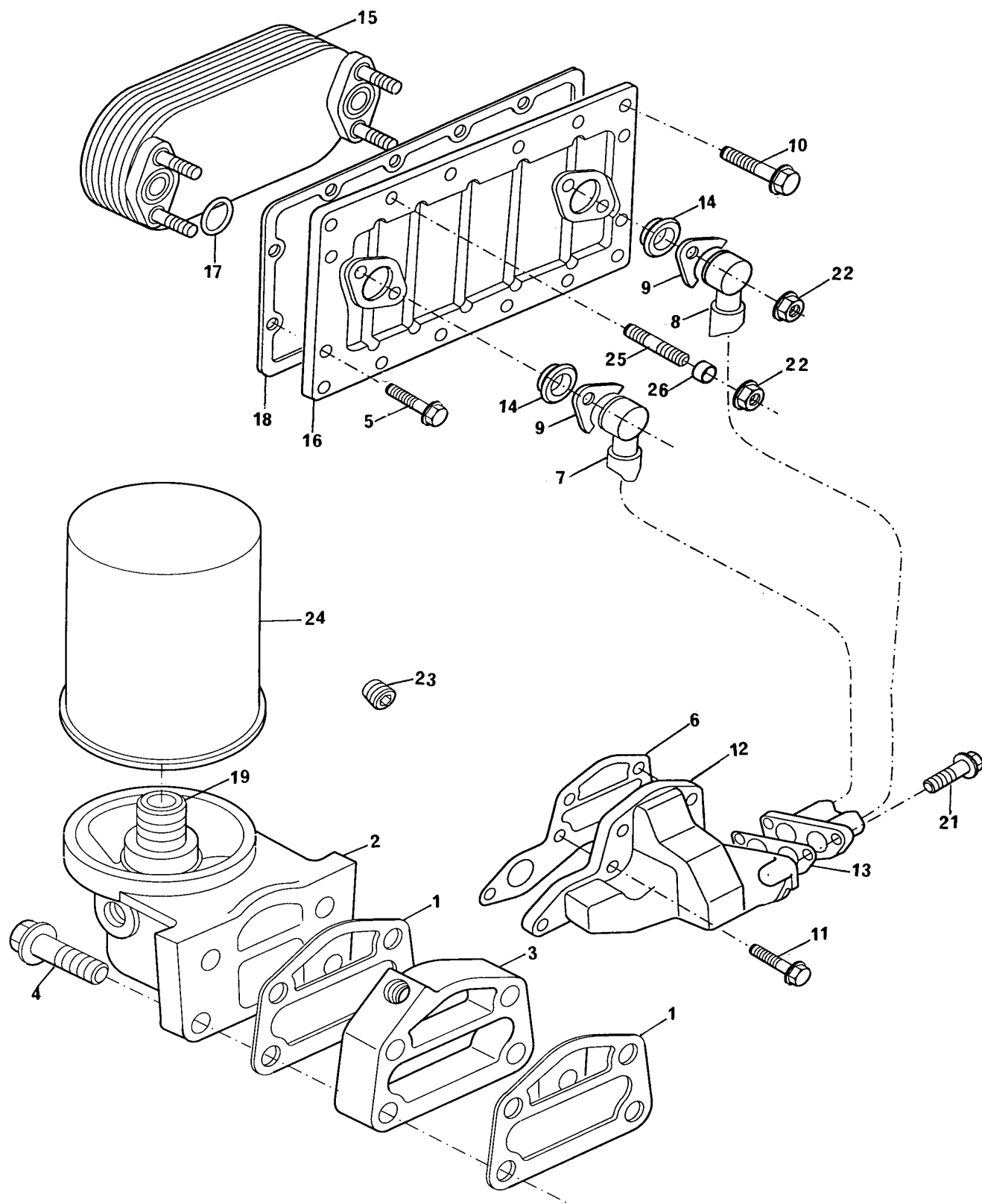
**FILTRO DE ÓLEO LUBRIFICANTE E RESFRIADOR DE ÓLEO**  
**LUBRICATING OIL FILTER AND OIL COOLER**  
**FILTRO DE ACEITE LUBRICANTE / REFRIGERADOR DE ACEITE**  
**FILTRE À HUILE LUBRIFIANTE / REFROIDISSEUR D' HUILE**

**GRUPO**  
**GROUP** 33/155  
**GRUPO**  
**GROUPE**

1	3686T006		1 JUNTA	JOINT	JUNTA	JOINT
2	3773K051		1 CABEÇOTE FILTRO	CYLINDER HEAD	CULATA	CULASSE
3	33286126	2	1 CONEXÃO	CONNECTION	CONEXION	RACCORD
4	2314J004	M10X30	4 PARAFUSO	BOLT	TORNILLO	VIS
5	2314J006	M10X40	2 PARAFUSO	BOLT	TORNILLO	VIS
6	3687Y002		1 JUNTA	JOINT	JUNTA	JOINT
7	2314J008	M10X50	4 PARAFUSO	BOLT	TORNILLO	VIS
8	2486A975		1 PLACA	PLATE	PLACA	PLAQUE
9	3684R012		1 JUNTA	JOINT	JUNTA	JOINT
10	2314H002	M8X16	13 PARAFUSO	BOLT	TORNILLO	VIS
11	2313M058		3 PRISIONEIRO	STUD	ESPÁRRAGO	GOUJON
12	33134418		3 ESPAÇADOR	SPACER	ESPACIADOR	ENTRETOISE
13	2318A603		3 PORCA	NUT	TUERCA	ÉCROU
14	71058		1 ELEMENTO	ELEMENT	ELEMENTO	ELEMENT
15	3753R152		1 PLACA	PLATE	PLACA	PLAQUE
16	0650594		1 BUJÃO	PLUG	TAPÓN	BOUCHON

FILTRO DE ÓLEO LUBRIFICANTE E RESFRIADOR DE ÓLEO  
LUBRICATING OIL FILTER AND OIL COOLER  
FILTRO DE ACEITE LUBRICANTE / REFRIGERADOR DE ACEITE  
FILTRE À HUILE LUBRIFIANTE / REFROIDISSEUR D' HUILE

GRUPO  
GROUP 33/157  
GRUPO  
GRUPE



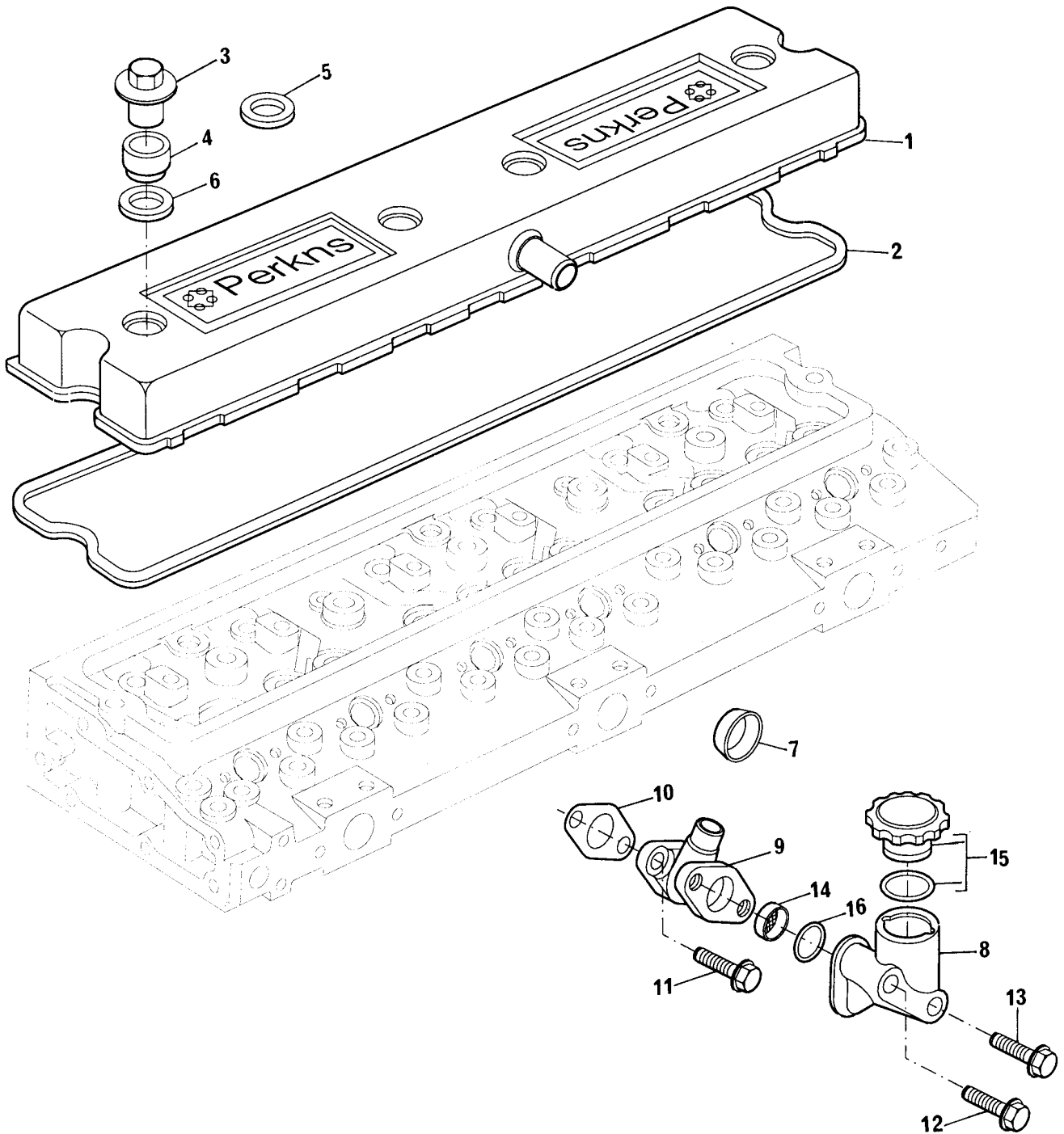
FILTRO DE ÓLEO LUBRIFICANTE E RESFRIADOR DE ÓLEO  
 LUBRICATING OIL FILTER AND OIL COOLER  
 FILTRO DE ACEITE LUBRICANTE / REFRIGERADOR DE ACEITE  
 FILTRE À HUILE LUBRIFIANTE / REFROIDISSEUR D' HUILE

GRUPO  
 GROUP 33/157  
 GRUPO  
 GROUPE

1	3686T006		2	JUNTA	JOINT	JUNTA	JOINT
2	3773K051		1	CABEÇOTE FILTRO	CYLINDER HEAD	CULATA	CULASSE
3	3773T101		1	ADAPTADOR	ADAPTOR	ADAPTADOR	ADAPTATEUR
4	2314J040		4	PARAFUSO	BOLT	TORNILLO	VIS
5	2314H003	M8X20	1	PARAFUSO	BOLT	TORNILLO	VIS
6	3687W006		1	JUNTA	JOINT	JUNTA	JOINT
7	2483A018		1	TUBO	PIPE	CAÑO	TUYAUTERIE
8	2483A019		1	TUBO	PIPE	CAÑO	TUYAUTERIE
9	3751K121		4	FLANGE	FLANGE	PLETINA	FLASQUE
10	2314H002	M8X16	11	PARAFUSO	BOLT	TORNILLO	VIS
11	2314J003	M10X25	5	PARAFUSO	BOLT	TORNILLO	VIS
12	3773X021		1	ADAPTADOR	ADAPTOR	ADAPTADOR	ADAPTATEUR
13	3686A511		1	JUNTA	JOINT	JUNTA	JOINT
14	2418F602		2	ANEL VEDADOR	SEALING RING	ANILLO SELLADO	BAGUE ÉTANCHÉTIE
15	2486A981		1	RESFRIADOR	COOLER	REFRIGERADOR	REFROIDISSEUR
16	2486A976		1	CARÇAÇA	HOUSING	CAJA	CARTER
17	3688X008		2	VEDADOR	SEAL	DEFLECTOR	DEFLECTEUR
18	3684R012		1	JUNTA	JOINT	JUNTA	JOINT
19	33286126	2	1	CONEXÃO	CONNECTION	CONEXION	RACCORD
21	2314H004		3	PARAFUSO	BOLT	TORNILLO	VIS
22	2318A603	M8X25	7	PORCA	NUT	TUERCA	ÉCROU
23	0650594		1	BUJÃO	PLUG	TAPON	BOUCHON
24	71058		1	ELEMENTO	ELEMENT	ELEMENTO	ELEMENT
25	2313M058		3	PRISIONEIRO	STUD	ESPÁRRAGO	GOUJON
26	33134418		4	ESPAÇADOR	SPACER	ESPACIADOR	ENTRETOISE

TAMPA DO CABEÇOTE  
CYLINDER HEAD COVER  
TAPA DE VÁLVULAS  
CACHE-CULBUTEURS

GRUPO  
GROUP 34/88  
GRUPO  
GROUPE



TAMPA DO CABEÇOTE  
CYLINDER HEAD COVER  
TAPA DE VÁLVULAS  
CACHE-CULBUTEURS

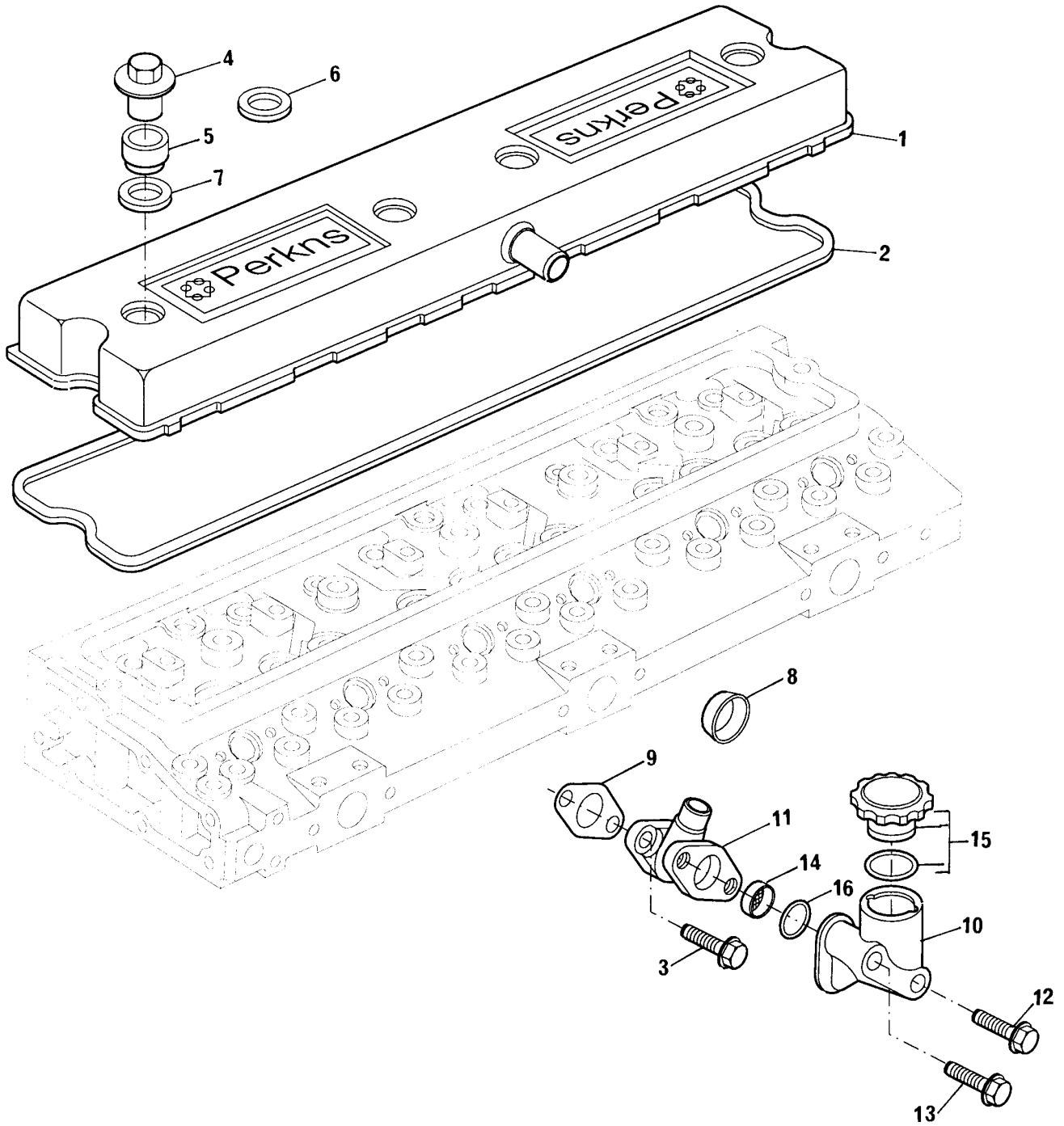
GRUPO  
GROUP 34/88  
GRUPO  
GROUPE

1	3718X719		1	TAMPA	COVER	TAPA	COUVERCLE
2	3681C001		1	JUNTA	JOINT	JUNTA	JOINT
3	3274P003		4	PORCA	NUT	TUERCA	ÉCROU
4	33817135		4	VEDADOR	SEAL	DEFLECTOR	DEFLECTEUR
5	33121416		4	ARRUELA	WASHER	ARANDELA	RONDELLE
6	0920009		4	ARRUELA	WASHER	ARANDELA	RONDELLE
7	32418122		1	BUJÃO	PLUG	TAPÓN	BOUCHON
8	4134C004		1	BOCAL	FILLER	LLENADOR	REIMPLISSEUR
9	3774X021		1	ADAPTADOR	ADAPTOR	ADAPTADOR	ADAPTATEUR
10	36833152		1	JUNTA	JOINT	JUNTA	JOINT
11	2314H004		2	PARAFUSO	BOLT	TORNILLO	VIS
12	2314H010		1	PARAFUSO	BOLT	TORNILLO	VIS
13	2314H007		1	PARAFUSO	BOLT	TORNILLO	VIS
14	3317M001		1	PENEIRA	SCREEN	TAMIZ	TAMIS
15	3781A008	8	1	TAMPA	COVER	TAPA	COUVERCLE
16	2415B121		1	ANEL VEDADOR	SEALING RING	ANILLO SELADO	BAGUE ÉTANCHÉITE

TAMPA DO CABEÇOTE  
CYLINDER HEAD COVER  
TAPA DE VÁLVULAS  
CACHE-CULBUTEURS

GRUPO  
GROUP  
GRUPO  
GROUPE

34/89





TAMPA DO CABEÇOTE  
CYLINDER HEAD COVER  
TAPA DE VÁLVULAS  
CACHE-CULBUTEURS

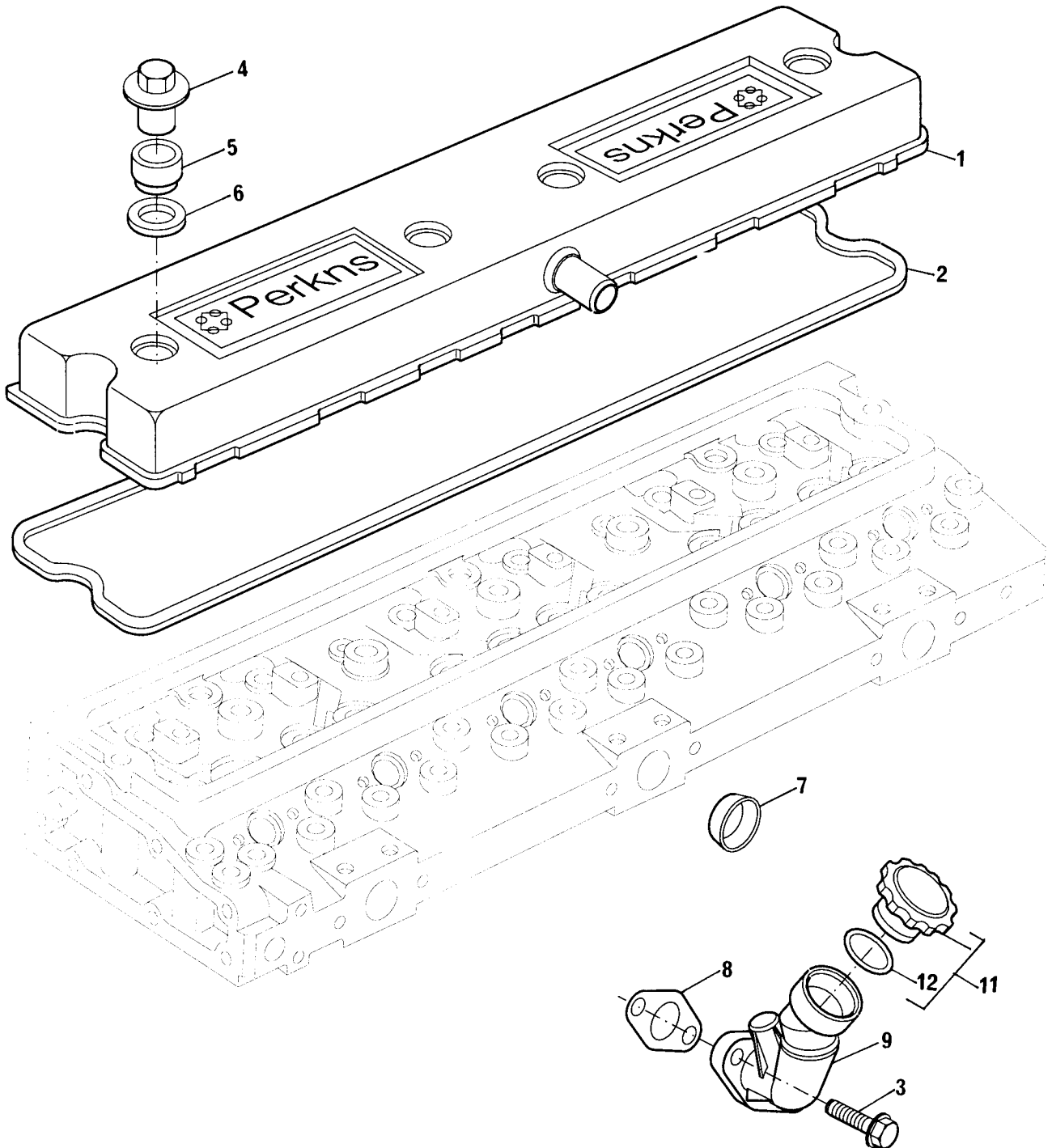
GRUPO  
GROUP 34/89  
GRUPO  
GROUPE

1	3718X719		1	TAMPA	COVER	TAPA	COUVERCLE
2	3681C001		1	JUNTA	JOINT	JUNTA	JOINT
3	2314H004		2	PARAFUSO	BOLT	TORNILLO	VIS
4	3274P003		4	PORCA	NUT	TUERCA	ÉCROU
5	33817135		4	VEDADOR	SEAL	DEFLECTOR	DEFLECTEUR
6	33121416		4	ARRUELA	WASHER	ARANDELA	RONDELLE
7	0920009		4	ARRUELA	WASHER	ARANDELA	RONDELLE
8	32418122		1	BUJÃO	PLUG	TAPÓN	BOUCHON
9	36833152		1	JUNTA	JOINT	JUNTA	JOINT
10	4134C004		1	BOCAL	FILLER	LLENADOR	REIMPLISSEUR
11	3774X801		1	ADAPTADOR	ADAPTOR	ADAPTADOR	ADAPTATEUR
12	2314H007		1	PARAFUSO	BOLT	TORNILLO	VIS
13	2314H010		1	PARAFUSO	BOLT	TORNILLO	VIS
14	3317M001		1	PENEIRA	SCREEN	TAMIZ	TAMIS
15	3781A008	10	1	TAMPA	COVER	TAPA	COUVERCLE
16	2415B121		1	ANEL VEDADOR	SEALING RING	ANILLO SELADO	BAGUE ÉTANCHÉITE

TAMPA DO CABEÇOTE  
CYLINDER HEAD COVER  
TAPA DE VÁLVULAS  
CACHE-CULBUTEURS

GRUPO  
GROUP  
GRUPO  
GROUPE

34/119



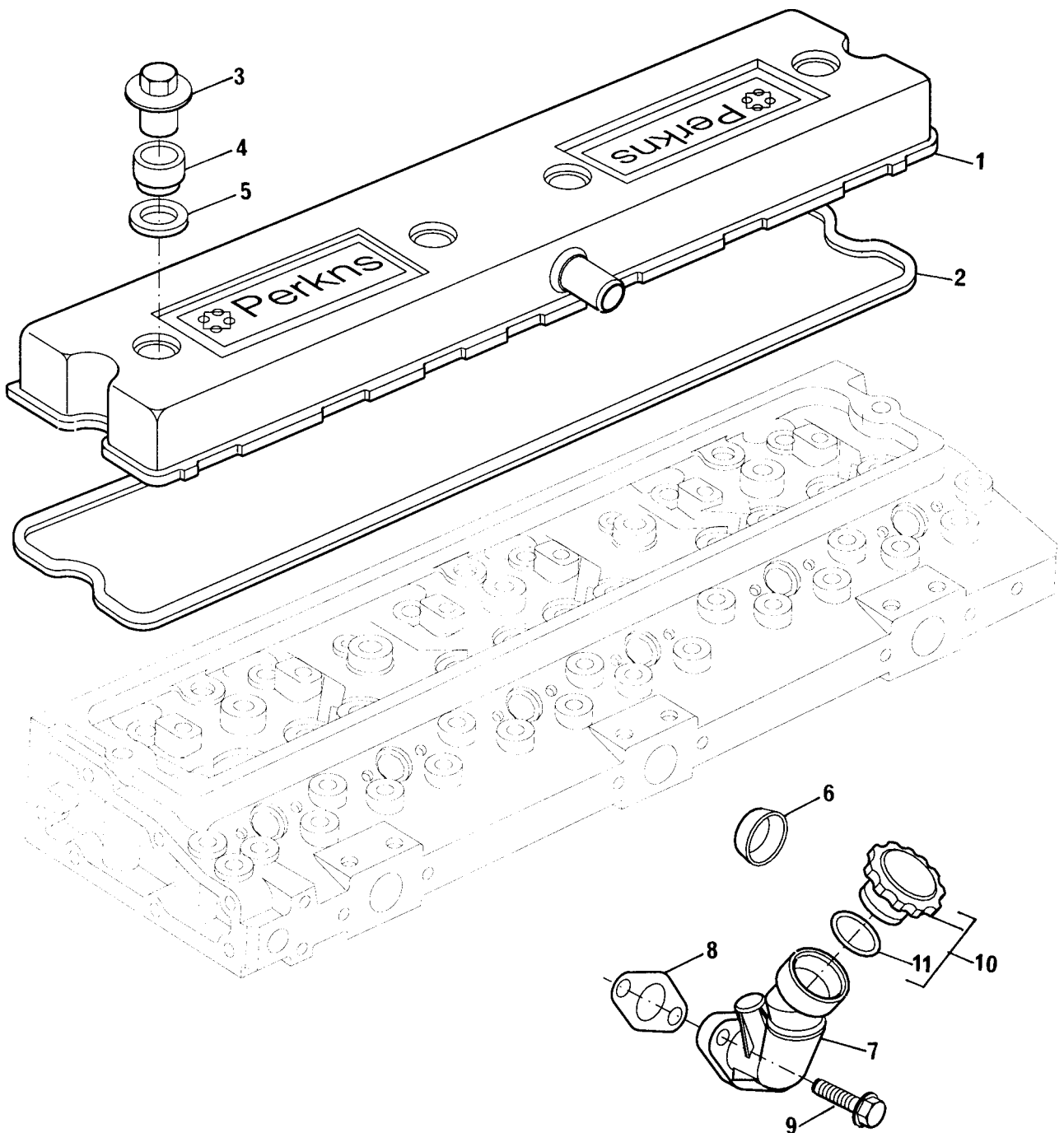
TAMPA DO CABEÇOTE  
CYLINDER HEAD COVER  
TAPA DE VÁLVULAS  
CACHE-CULBUTEURS

GRUPO  
GROUP 34/119  
GRUPO  
GROUPE

1	4142X062			1	TAMPA	COVER	TAPA	COUVERCLE
2	3681C003	1		1	JUNTA	JOINT	JUNTA	JOINT
3	2314H004		M8X25	2	PARAFUSO	BOLT	TORNILLO	VIS
4	3274P003			4	PORCA	NUT	TUERCA	ÉCROU
5	33817135			4	VEDADOR	SEAL	DEFLECTOR	DEFLECTEUR
6	0920009			4	ARRUELA	WASHER	ARANDELA	RONDELLE
7	32416118			1	BUJÃO	PLUG	TAPÓN	BOUCHON
8	36833152			1	JUNTA	JOINT	JUNTA	JOINT
9	4134C012			1	BOCAL	FILLER	LLENADOR	REIMPLISSEUR
11	4142X098			1	TAMPA	COVER	TAPA	COUVERCLE
12	2415633	11		1	ANEL "O"	"O" RING	ARO SELLO	JOINT TORIQUE

TAMPA DO CABEÇOTE  
CYLINDER HEAD COVER  
TAPA DE VÁLVULAS  
CACHE-CULBUTEURS

GRUPO  
GROUP 34/120  
GRUPO  
GROUPE



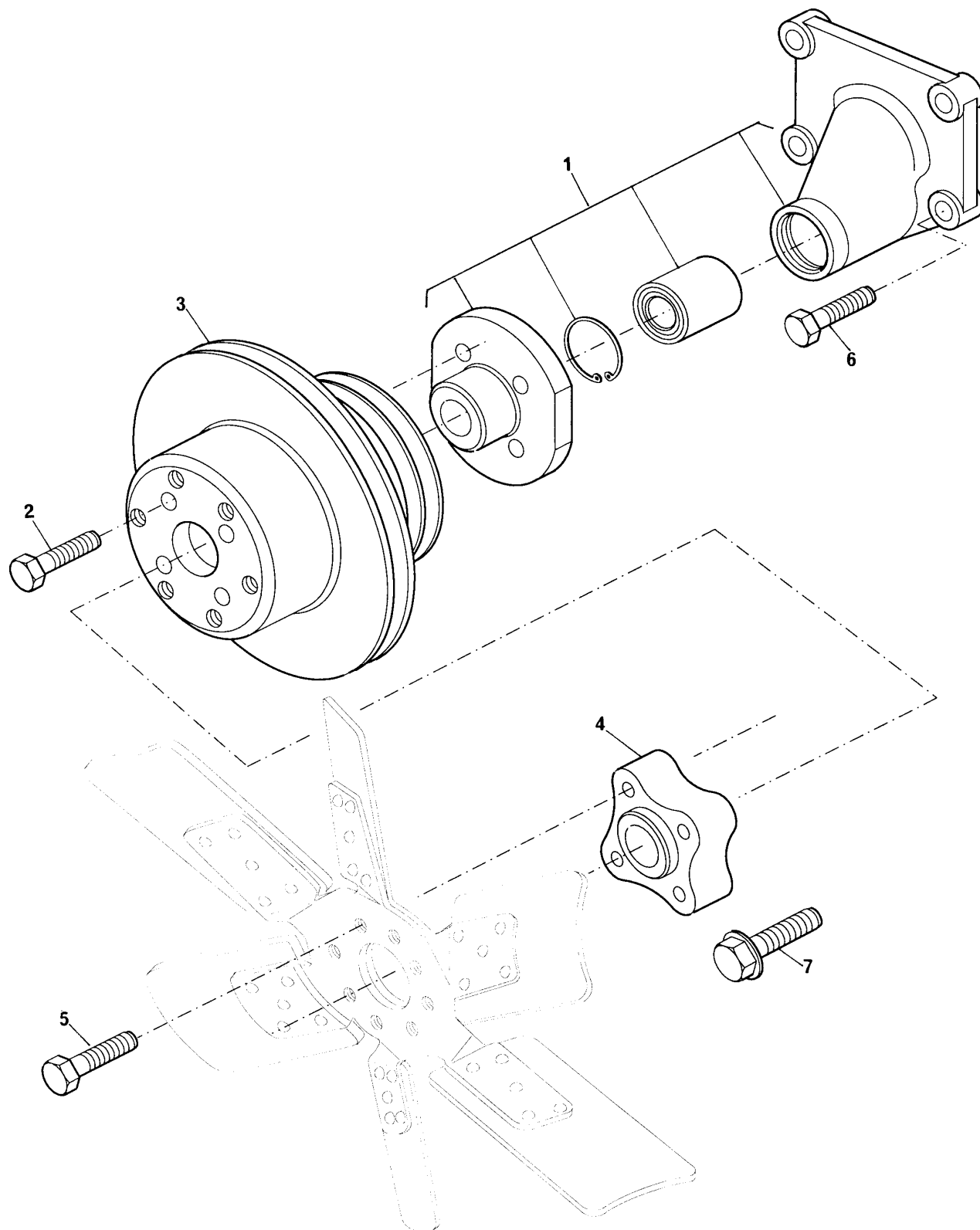
TAMPA DO CABEÇOTE  
CYLINDER HEAD COVER  
TAPA DE VÁLVULAS  
CACHE-CULBUTEURS

GRUPO  
GROUP 34/120  
GRUPO  
GROUPE

1	4142X062		1	TAMPA	COVER	TAPA	COUVERCLE
2	3681C003	1	1	JUNTA	JOINT	JUNTA	JOINT
3	3274P003		4	PORCA	NUT	TUERCA	ÉCROU
4	33817135		4	VEDADOR	SEAL	DEFLECTOR	DEFLECTEUR
5	0920009		4	ARRUELA	WASHER	ARANDELA	RONDELLE
6	32416118		1	BUJÃO	PLUG	TAPÓN	BOUCHON
7	4134C011		1	BOCAL	FILLER	LLENADOR	REIMPLISSEUR
8	36833152		1	JUNTA	JOINT	JUNTA	JOINT
9	2314H004	M8X25	2	PARAFUSO	BOLT	TORNILLO	VIS
10	4142X098	7	1	TAMPA	COVER	TAPA	COUVERCLE
11	2415633	10	1	ANEL "O"	"O" RING	ARO SELLO	JOINT TORIQUE

VENTILADOR E EXTENSÃO  
FAN AND EXTENSION  
VENTILADOR Y EXTENSIÓN  
VENTILATEUR ET RALLONGE

GRUPO  
GROUP 35/104  
GRUPO  
GROUPE



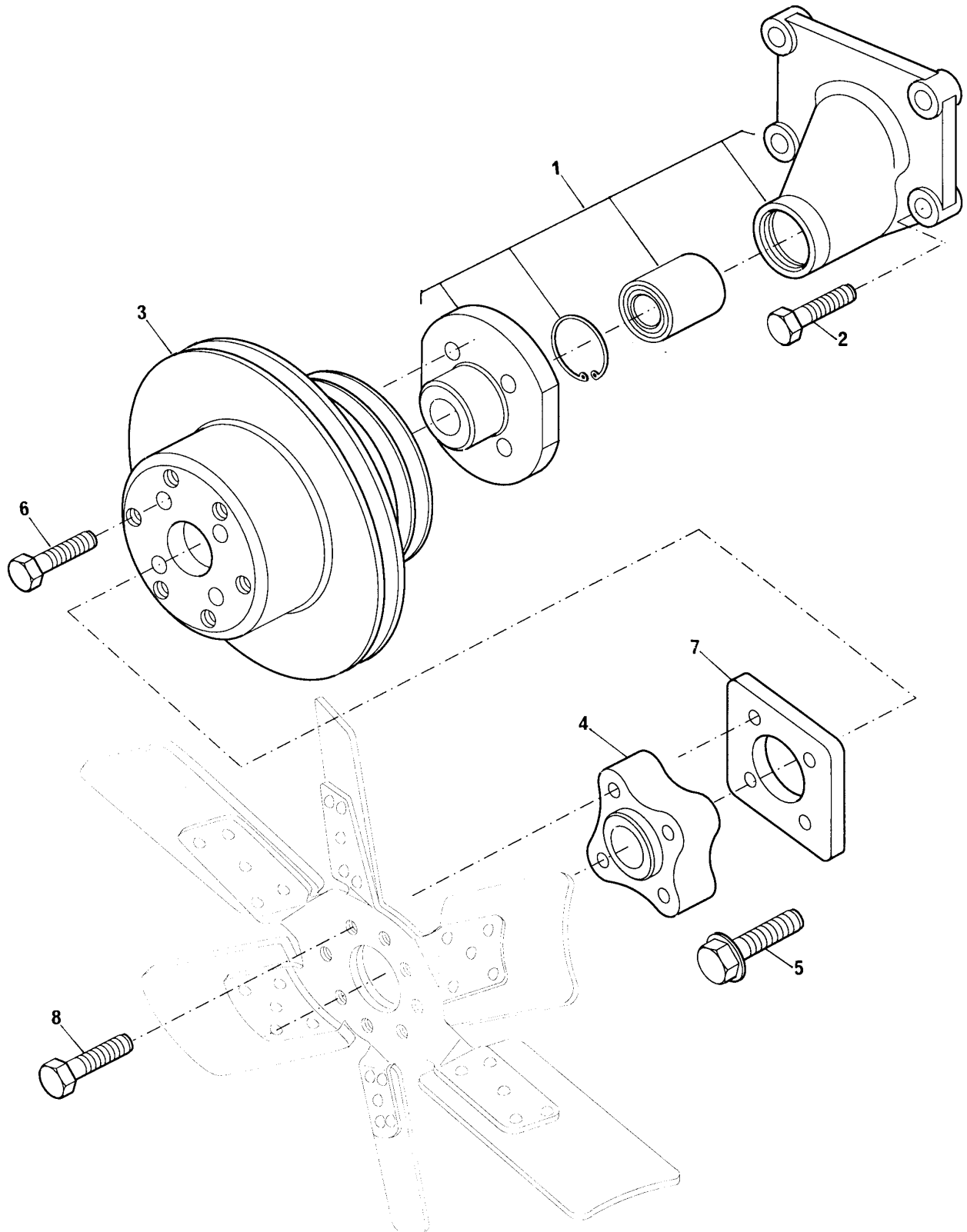
**VENTILADOR E EXTENSÃO  
FAN AND EXTENSION  
VENTILADOR Y EXTENSIÓN  
VENTILATEUR ET RALLONGE**

**GRUPO  
GROUP 35/104  
GRUPO  
GROUPE**

1	4113H053	1	CJ. ALOJAMENTO	RETAINER	CAJA	CAGE
2	2314J011	4	PARAFUSO	BOLT	TORNILLO	VIS
3	3115C071	1	POLIA	PULLEY	POLEA	POULIE
4	70330026	1	ESPAÇADOR	SPACER	ESPACIADOR	ENTRETOISE
5	2314K159	4	PARAFUSO	BOLT	TORNILLO	VIS
6	2314J004	4	PARAFUSO	BOLT	TORNILLO	VIS
7	2314H005	4	PARAFUSO	BOLT	TORNILLO	VIS

VENTILADOR E EXTENSÃO  
FAN AND EXTENSION  
VENTILADOR Y EXTENSIÓN  
VENTILATEUR ET RALLONGE

GRUPO  
GROUP 35/105  
GRUPO  
GROUPE





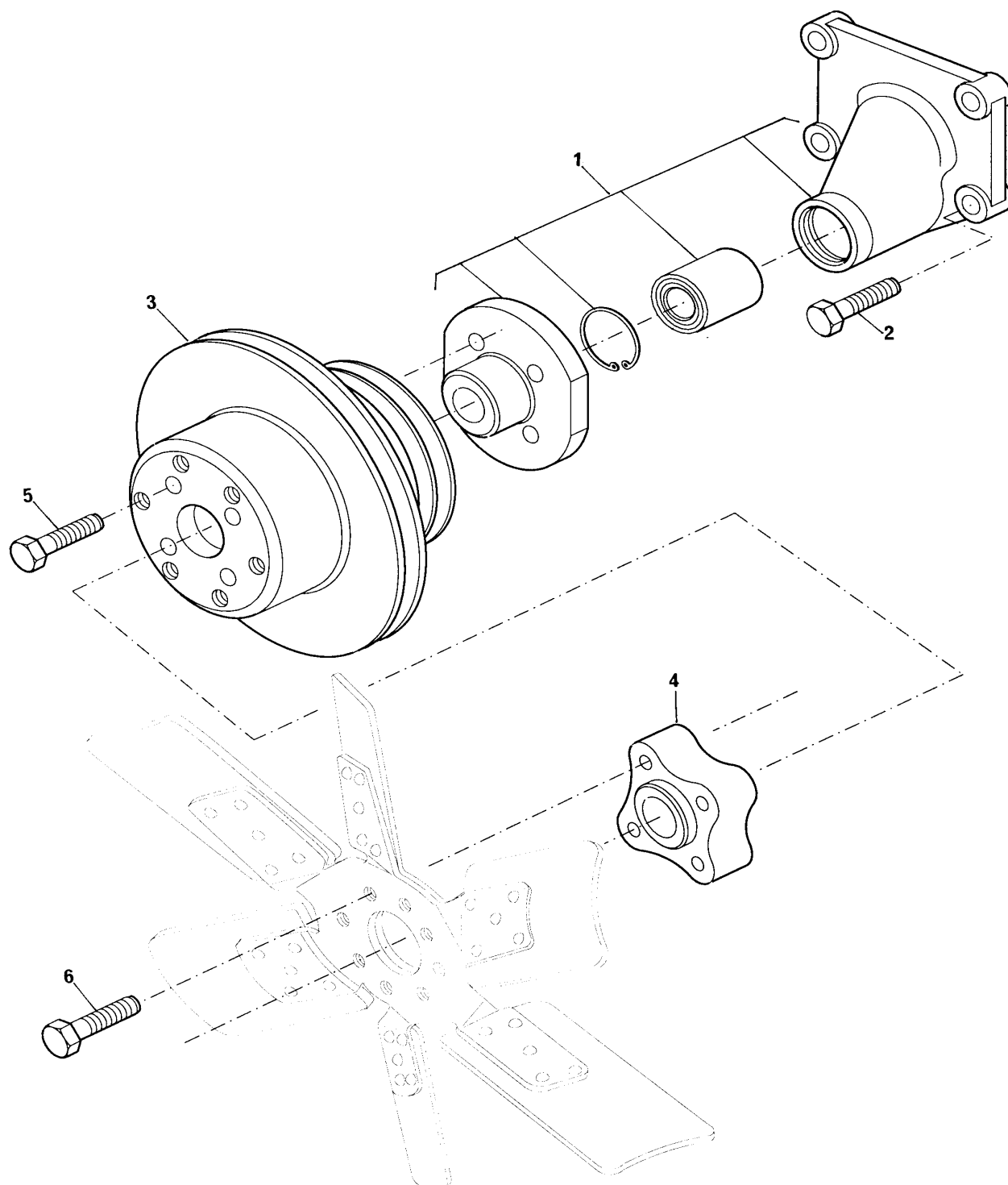
**VENTILADOR E EXTENSÃO**  
**FAN AND EXTENSION**  
**VENTILADOR Y EXTENSIÓN**  
**VENTILATEUR ET RALLONGE**

**GRUPO**  
**GROUP** 35/105  
**GRUPO**  
**GROUPE**

1	4113H053	1	CJ. ALOJAMENTO	RETAINER	CAJA	CAGE
2	2314J011	8	PARAFUSO	BOLT	TORNILLO	VIS
3	3115C071	1	POLIA	PULLEY	POLEA	POULIE
4	70330026	1	ESPAÇADOR	SPACER	ESPACIADOR	ENTRETOISE
5	2314H005	4	PARAFUSO	BOLT	TORNILLO	VIS
6	2314J008	5	PARAFUSO	BOLT	TORNILLO	VIS
7	3612H001	1	PLACA	PLATE	PLACA	PLAQUE
8	2314K159	4	PARAFUSO	BOLT	TORNILLO	VIS

VENTILADOR E EXTENSÃO  
FAN AND EXTENSION  
VENTILADOR Y EXTENSIÓN  
VENTILATEUR ET RALLONGE

GRUPO  
GROUP 35/114  
GRUPO  
GROUPE



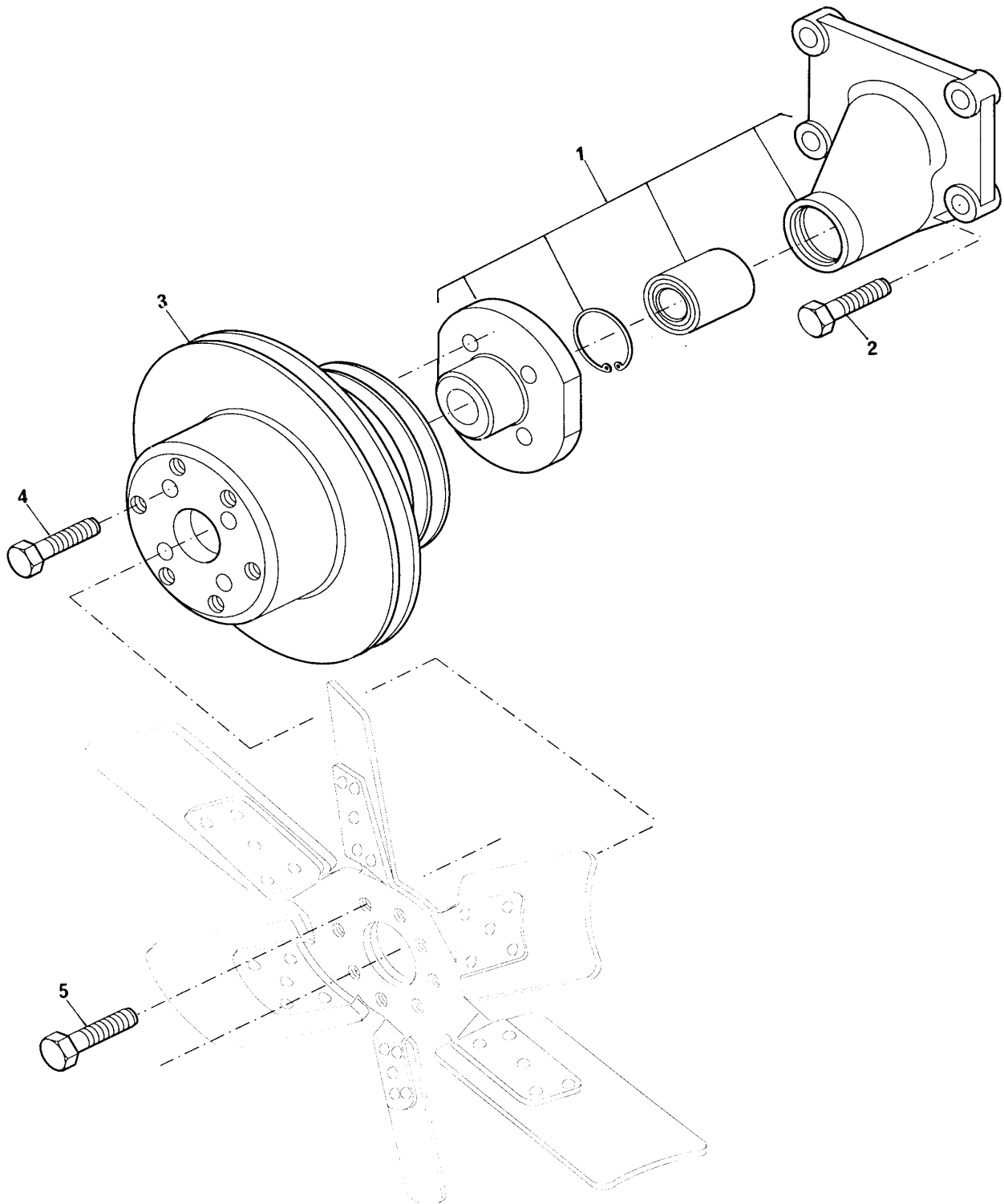
**VENTILADOR E EXTENSÃO**  
**FAN AND EXTENSION**  
**VENTILADOR Y EXTENSIÓN**  
**VENTILATEUR ET RALLONGE**

**GRUPO**  
**GROUP** 35/114  
**GRUPO**  
**GROUPE**

1	4113H053	1	CJ. ALOJAMENTO	RETAINER	CAJA	CAGE
2	2314J011	4	PARAFUSO	BOLT	TORNILLO	VIS
3	70670191	1	POLIA	PULLEY	POLEA	POULIE
4	0360027	1	ESPAÇADOR	SPACER	ESPACIADOR	ENTRETOISE
5	2314J004	4	PARAFUSO	BOLT	TORNILLO	VIS
6	2314K159	4	PARAFUSO	BOLT	TORNILLO	VIS

VENTILADOR E EXTENSÃO  
FAN AND EXTENSION  
VENTILADOR Y EXTENSIÓN  
VENTILATEUR ET RALLONGE

GRUPO  
GROUP 35/117  
GRUPO  
GROUPE



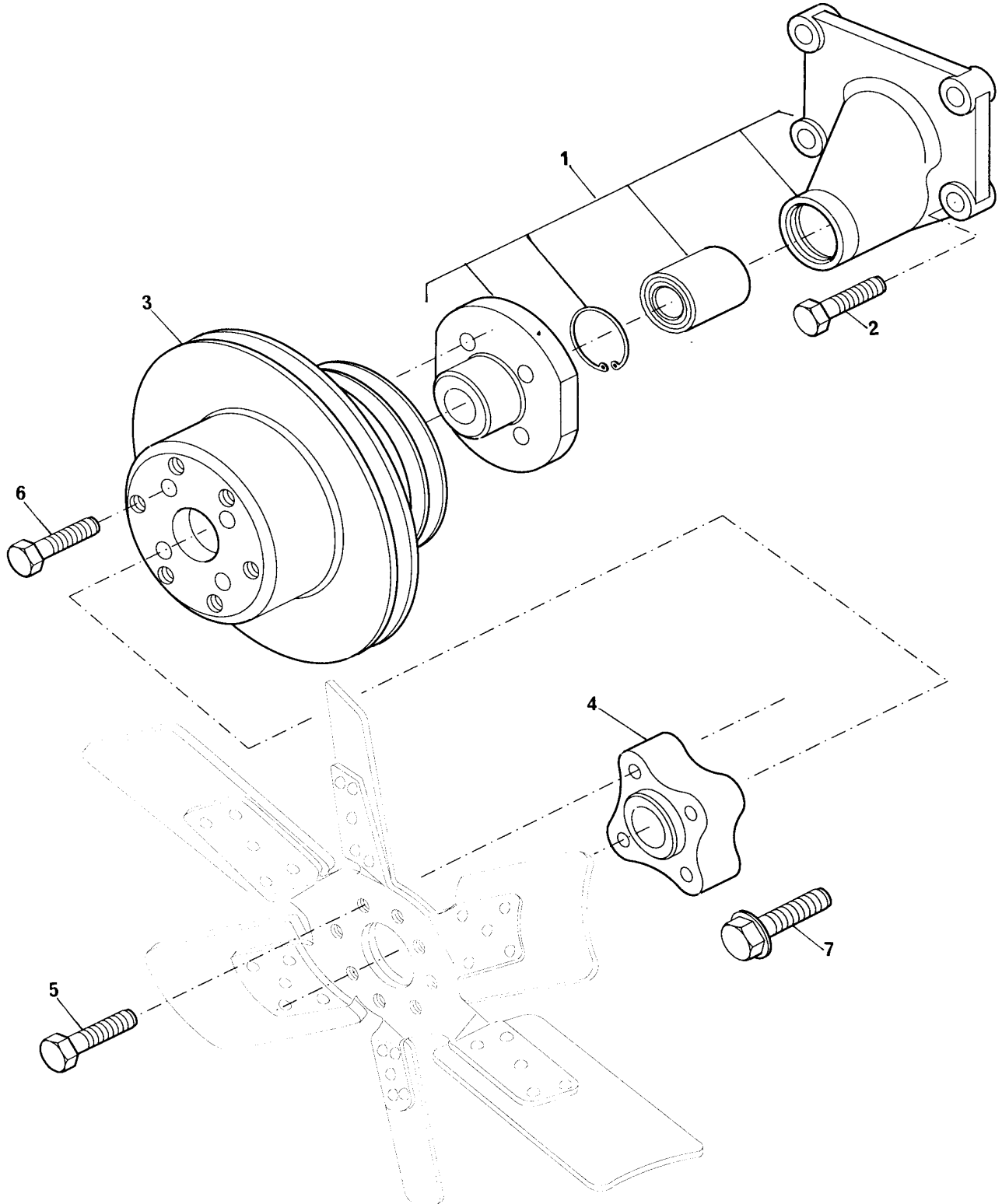
**VENTILADOR E EXTENSÃO**  
**FAN AND EXTENSION**  
**VENTILADOR Y EXTENSIÓN**  
**VENTILATEUR ET RALLONGE**

**GRUPO**  
**GROUP** 35/117  
**GRUPO**  
**GROUPE**

1	70992910	1	CJ. ALOJAMENTO	RETAINER	CAJA	CAGE
2	2314J011	4	PARAFUSO	BOLT	TORNILLO	VIS
3	70670196	1	POLIA	PULLEY	POLEA	POULIE
4	2314J007	4	PARAFUSO	BOLT	TORNILLO	VIS
5	2314K159	4	PARAFUSO	BOLT	TORNILLO	VIS

VENTILADOR E EXTENSÃO  
FAN AND EXTENSION  
VENTILADOR Y EXTENSIÓN  
VENTILATEUR ET RALLONGE

GRUPO  
GROUP 35/121  
GRUPO  
GROUPE



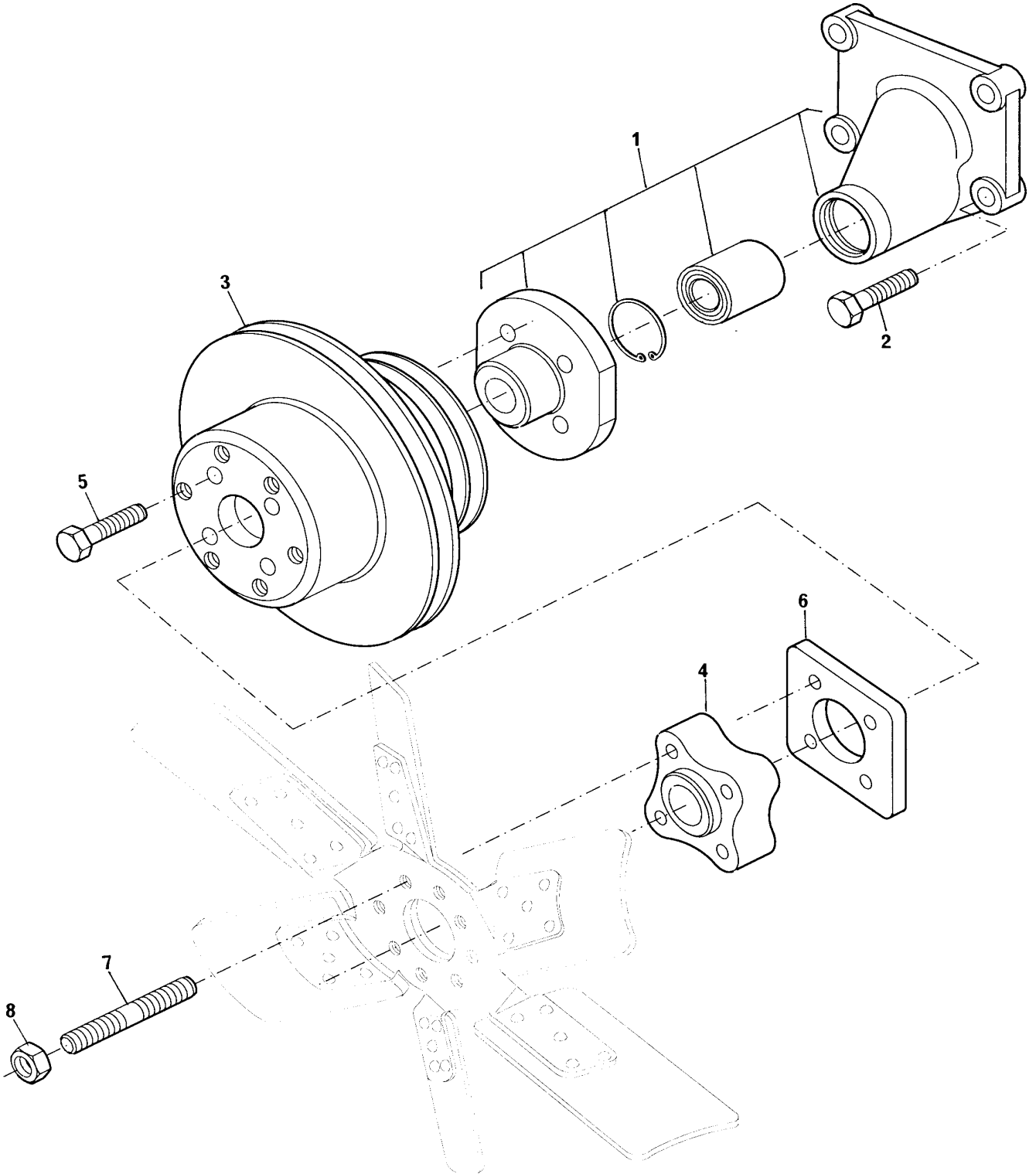
VENTILADOR E EXTENSÃO  
FAN AND EXTENSION  
VENTILADOR Y EXTENSIÓN  
VENTILATEUR ET RALLONGE

GRUPO  
GROUP 35/121  
GRUPO  
GROUPE

1	4113H053	1	CJ. ALOJAMENTO	RETAINER	CAJA	CAGE
2	2314J011	4	PARAFUSO	BOLT	TORNILLO	VIS
3	3115C071	1	POLIA	PULLEY	POLEA	POULIE
4	70330026	1	ESPAÇADOR	SPACER	ESPACIADOR	ENTRETOISE
5	2314K159	4	PARAFUSO	BOLT	TORNILLO	VIS
6	2314J004	4	PARAFUSO	BOLT	TORNILLO	VIS
7	2314H005	4	PARAFUSO	BOLT	TORNILLO	VIS

VENTILADOR E EXTENSÃO  
FAN AND EXTENSION  
VENTILADOR Y EXTENSIÓN  
VENTILATEUR ET RALLONGE

GRUPO  
GROUP 35/132  
GRUPO  
GROUPE





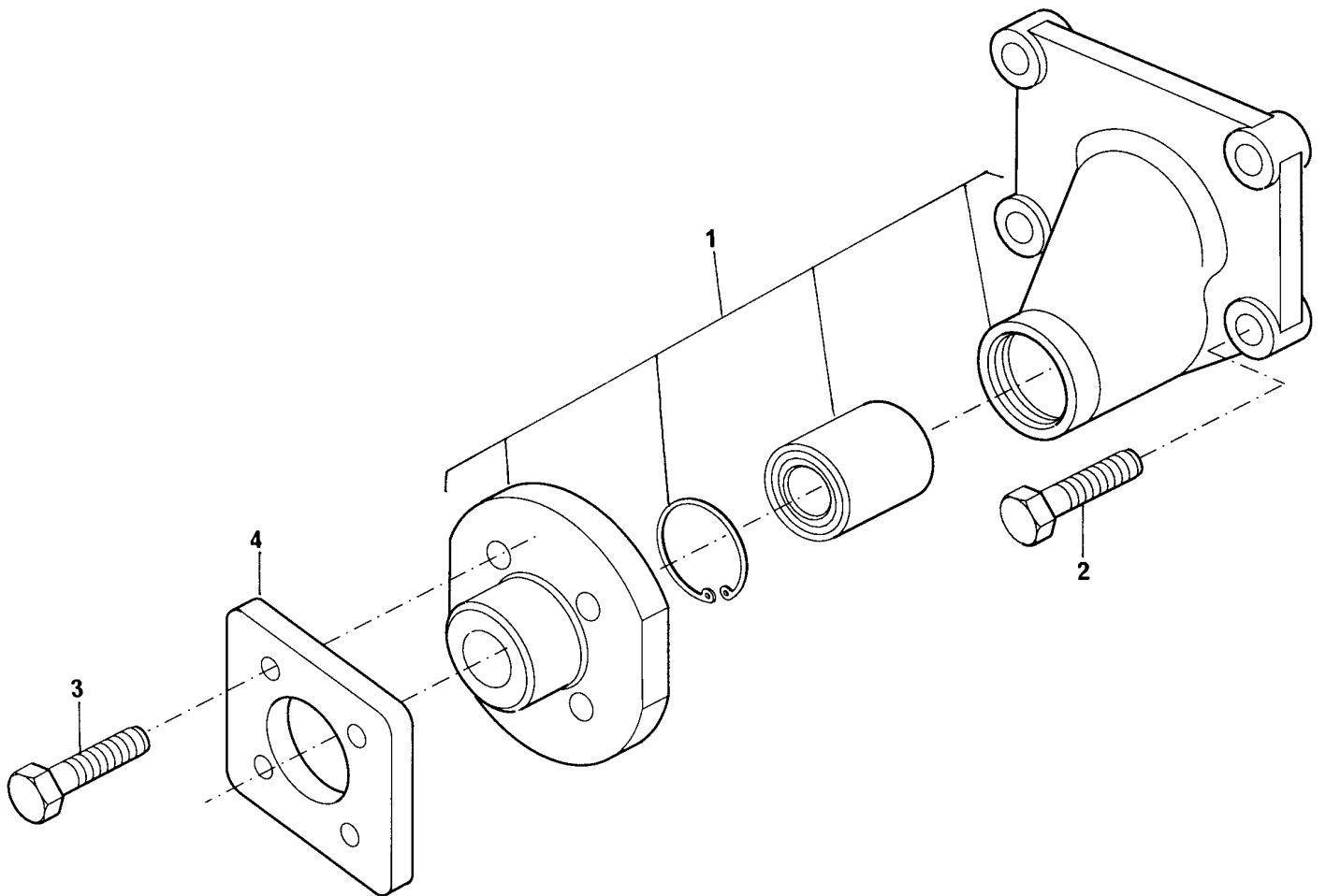
VENTILADOR E EXTENSÃO  
FAN AND EXTENSION  
VENTILADOR Y EXTENSIÓN  
VENTILATEUR ET RALLONGE

GRUPO  
GROUP 35/132  
GRUPO  
GROUPE

1	4113H053		1	C.J. ALOJAMENTO	RETAINER	CAJA	CAGE
2	2314J011		4	PARAFUSO	BOLT	TORNILLO	VIS
3	3115C071		1	POLIA	PULLEY	POLEA	POULIE
4	70330026		1	ESPAÇADOR	SPACER	ESPACIADOR	ENTRETOISE
5	2314J008		4	PARAFUSO	BOLT	TORNILLO	VIS
6	3612H002	M10X50	2	PLACA	PLATE	PLACA	PLAQUE
7	2313C063		4	PRISIONEIRO	STUD	ESPÁRRAGO	GOUJON
8	2318D208		4	PORCA	NUT	TUERCA	ÉCROU

VENTILADOR E EXTENSÃO  
FAN AND EXTENSION  
VENTILADOR Y EXTENSIÓN  
VENTILATEUR ET RALLONGE

GRUPO  
GROUP 35/133  
GRUPO  
GROUPE



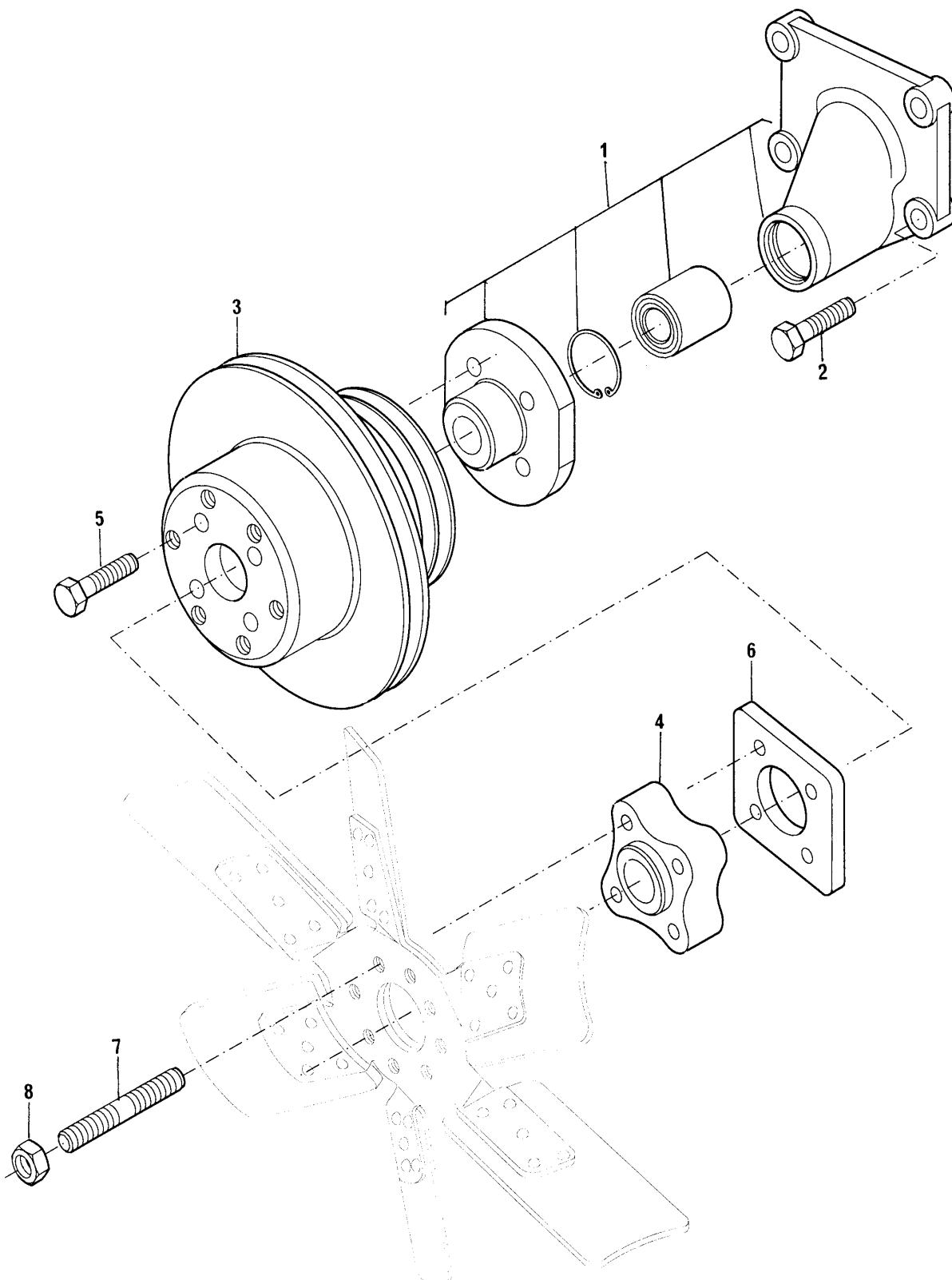
**VENTILADOR E EXTENSÃO**  
**FAN AND EXTENSION**  
**VENTILADOR Y EXTENSIÓN**  
**VENTILATEUR ET RALLONGE**

**GRUPO**  
**GROUP** 35/133  
**GRUPO**  
**GROUPE**

1	4113H053		1	CJ. ALOJAMENTO	RETAINER	CAJA	CAGE
2	2314J011		4	PARAFUSO	BOLT	TORNILLO	VIS
3	2314J008	M10X50	4	PARAFUSO	BOLT	TORNILLO	VIS
4	3612H002		2	PLACA	PLATE	PLACA	PLAQUE

VENTILADOR E EXTENSÃO  
FAN AND EXTENSION  
VENTILADOR Y EXTENSIÓN  
VENTILATEUR ET RALLONGE

GRUPO  
GROUP 35/134  
GRUPO  
GROUPE



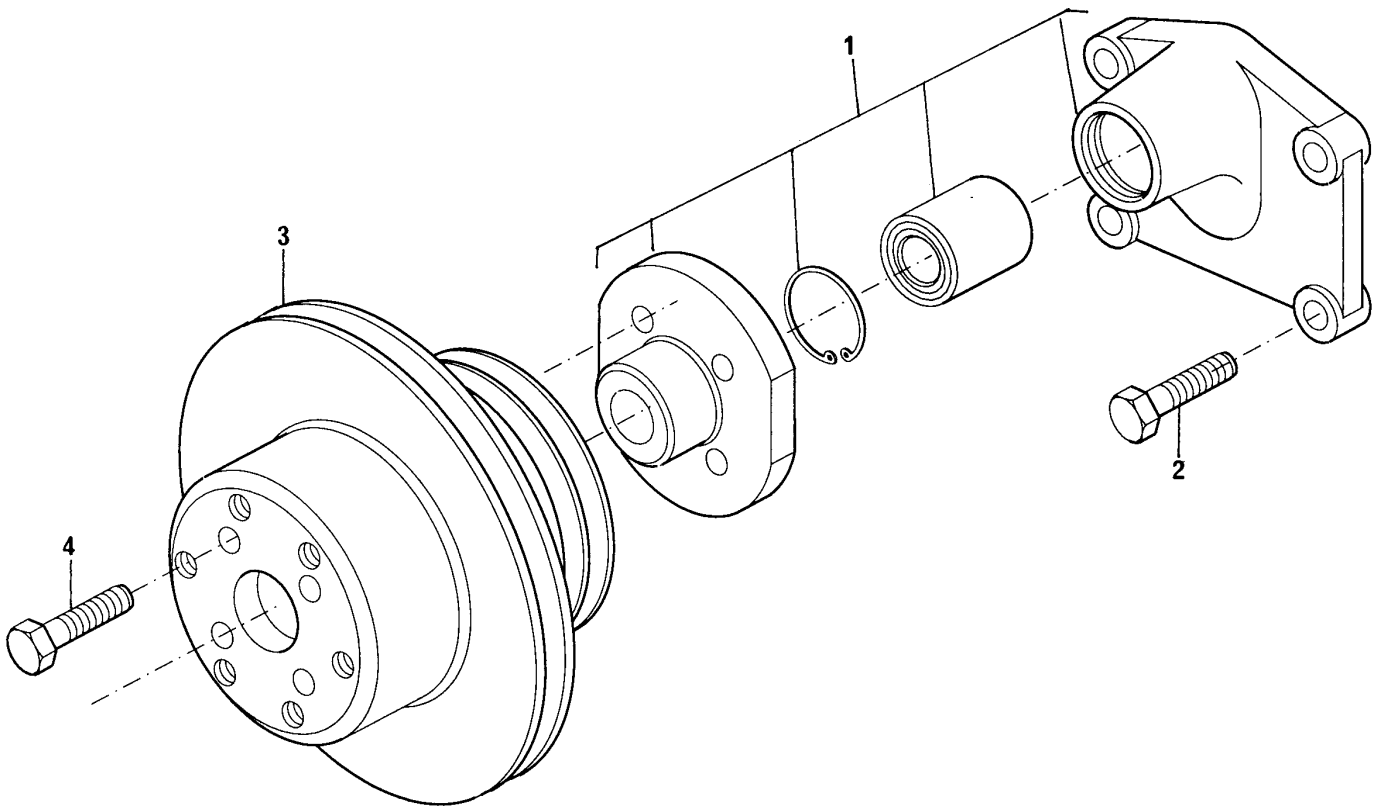
VENTILADOR E EXTENSÃO  
FAN AND EXTENSION  
VENTILADOR Y EXTENSIÓN  
VENTILATEUR ET RALLONGE

GRUPO  
GROUP 35/134  
GRUPO  
GROUPE

1	4113H077		1	CJ. ALOJAMENTO	RETAINER	CAJA	CAGE
2	2314J011		4	PARAFUSO	BOLT	TORNILLO	VIS
3	3115C071		1	POLIA	PULLEY	POLEA	POULIE
4	70330026		1	ESPAÇADOR	SPACER	ESPACIADOR	ENTRETOISE
5	2314J008		4	PARAFUSO	BOLT	TORNILLO	VIS
6	3612H002	M10X50	2	PLACA	PLATE	PLACA	PLAQUE
7	2313H229		4	PRISIONEIRO	STUD	ESPÁRRAGO	GOUJON
8	2318D208		4	PORCA	NUT	TUERCA	ÉCROU

VENTILADOR E EXTENSÃO  
FAN AND EXTENSION  
VENTILADOR Y EXTENSIÓN  
VENTILATEUR ET RALLONGE

GRUPO  
GROUP 35/135  
GRUPO  
GROUPE



VENTILADOR E EXTENSÃO  
FAN AND EXTENSION  
VENTILADOR Y EXTENSIÓN  
VENTILATEUR ET RALLONGE

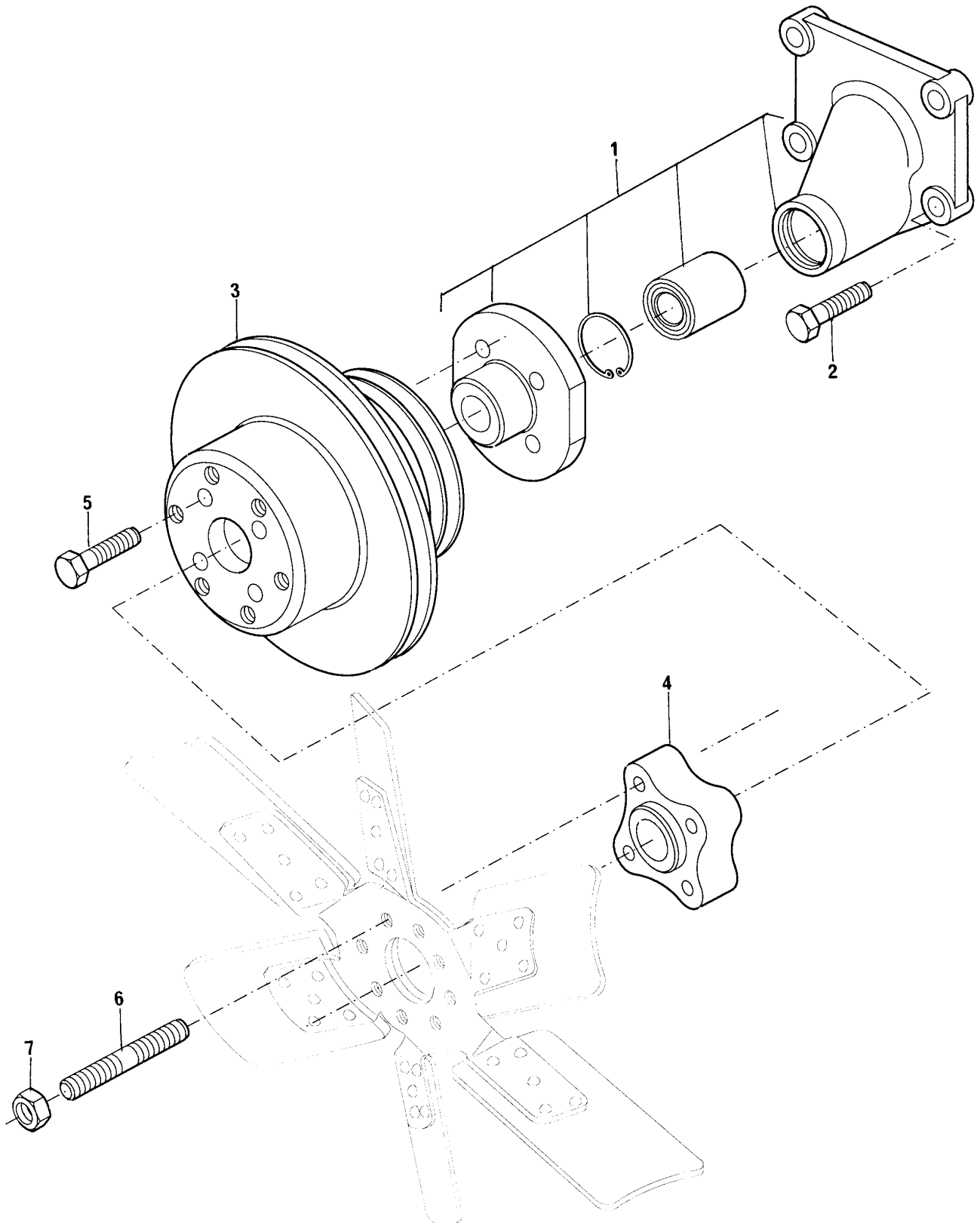
GRUPO  
GROUP 35/135  
GRUPO  
GROUPE

1	4113H085		1	CJ. ALOJAMENTO	RETAINER	CAJA	CAGE
2	2314J014		4	PARAFUSO	BOLT	TORNILLO	VIS
3	3115C101		1	POLIA	PULLEY	POLEA	POULIE
4	2314H004	M8X25	4	PARAFUSO	BOLT	TORNILLO	VIS

VENTILADOR E EXTENSÃO  
FAN AND EXTENSION  
VENTILADOR Y EXTENSIÓN  
VENTILATEUR ET RALLONGE

GRUPO  
GROUP  
GRUPO  
GROUPE

35/136





**VENTILADOR E EXTENSÃO**  
**FAN AND EXTENSION**  
**VENTILADOR Y EXTENSIÓN**  
**VENTILATEUR ET RALLONGE**

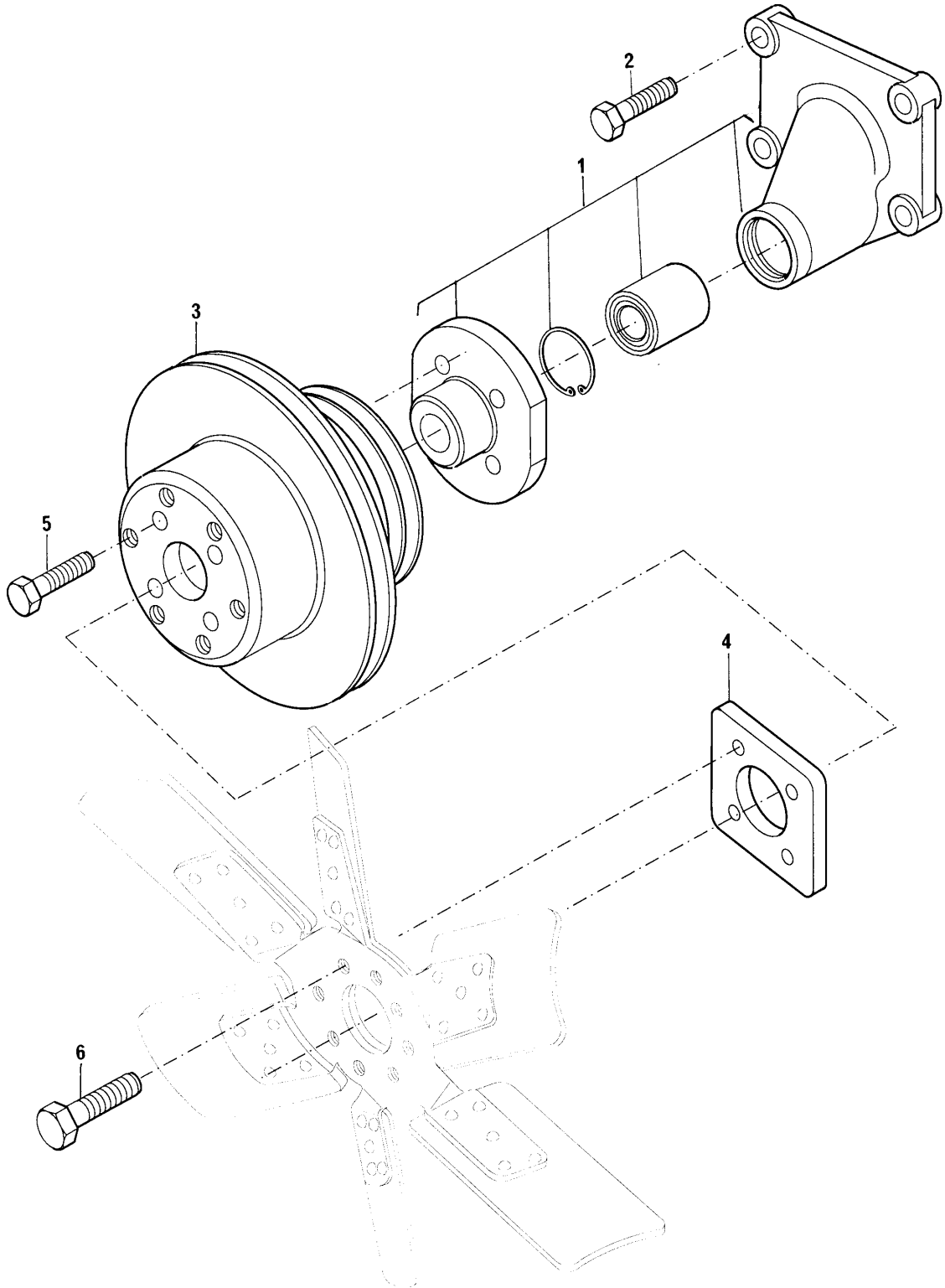
**GRUPO**  
**GROUP** 35/136  
**GRUPO**  
**GROUPE**

1	4113H053		1	CJ. ALOJAMENTO	RETAINER	CAJA	CAGE
2	2314J004		4	PARAFUSO	BOLT	TORNILLO	VIS
3	3115C071	M10X30	1	POLIA	PULLEY	POLEA	POULIE
4	70330026		1	ESPAÇADOR	SPACER	ESPACIADOR	ENTRETOISE
5	2314H005		4	PARAFUSO	BOLT	TORNILLO	VIS
6	2313C063	M8X30	4	PRISIONEIRO	STUD	ESPÁRRAGO	GOUJON
7	2318D208		4	PORCA	NUT	TUERCA	ÉCROU

VENTILADOR E EXTENSÃO  
FAN AND EXTENSION  
VENTILADOR Y EXTENSIÓN  
VENTILATEUR ET RALLONGE

GRUPO  
GROUP  
GRUPO  
GROUPE

35/138



**VENTILADOR E EXTENSÃO**  
**FAN AND EXTENSION**  
**VENTILADOR Y EXTENSIÓN**  
**VENTILATEUR ET RALLONGE**

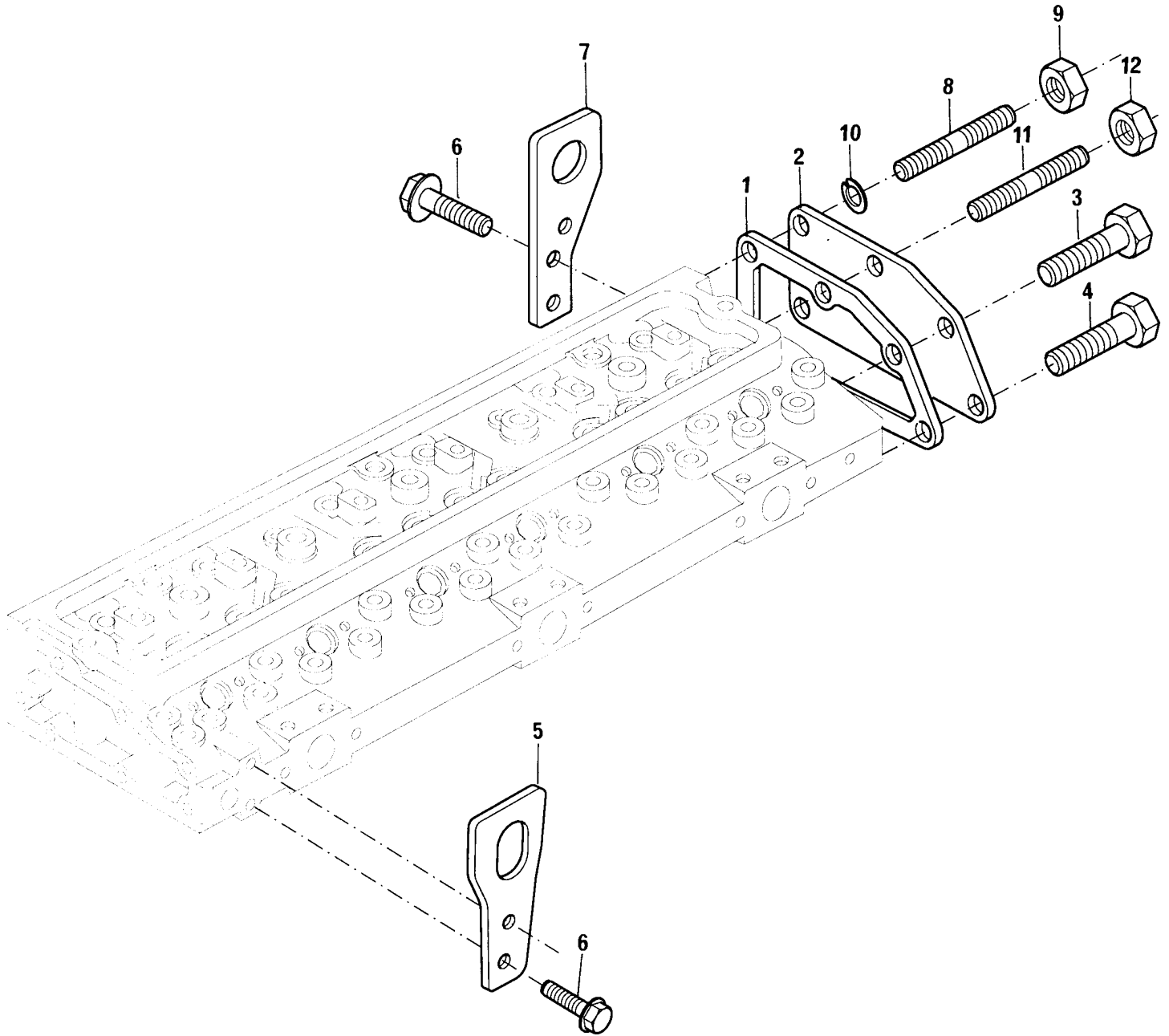
**GRUPO**  
**GROUP** 35/138  
**GRUPO**  
**GROUPE**

1	4113H053		1	CJ. ALOJAMENTO	RETAINER	CAJA	CAGE
2	2314J011		4	PARAFUSO	BOLT	TORNILLO	VIS
3	3115C071		1	POLIA	PULLEY	POLEA	POULIE
4	3612H002		2	PLACA	PLATE	PLACA	PLAQUE
5	2314J008		4	PARAFUSO	BOLT	TORNILLO	VIS
6	2314H005	M10X50	4	PARAFUSO	BOLT	TORNILLO	VIS
		M8X30					

TAMPA TRASEIRA DO CABEÇOTE  
CYLINDER HEAD REAR COVER  
TAPA TRASERA DE LA CULATA  
CACHE-CULBUTEURS ARRIERE

GRUPO  
GROUP  
GRUPO  
GROUPE

36/84



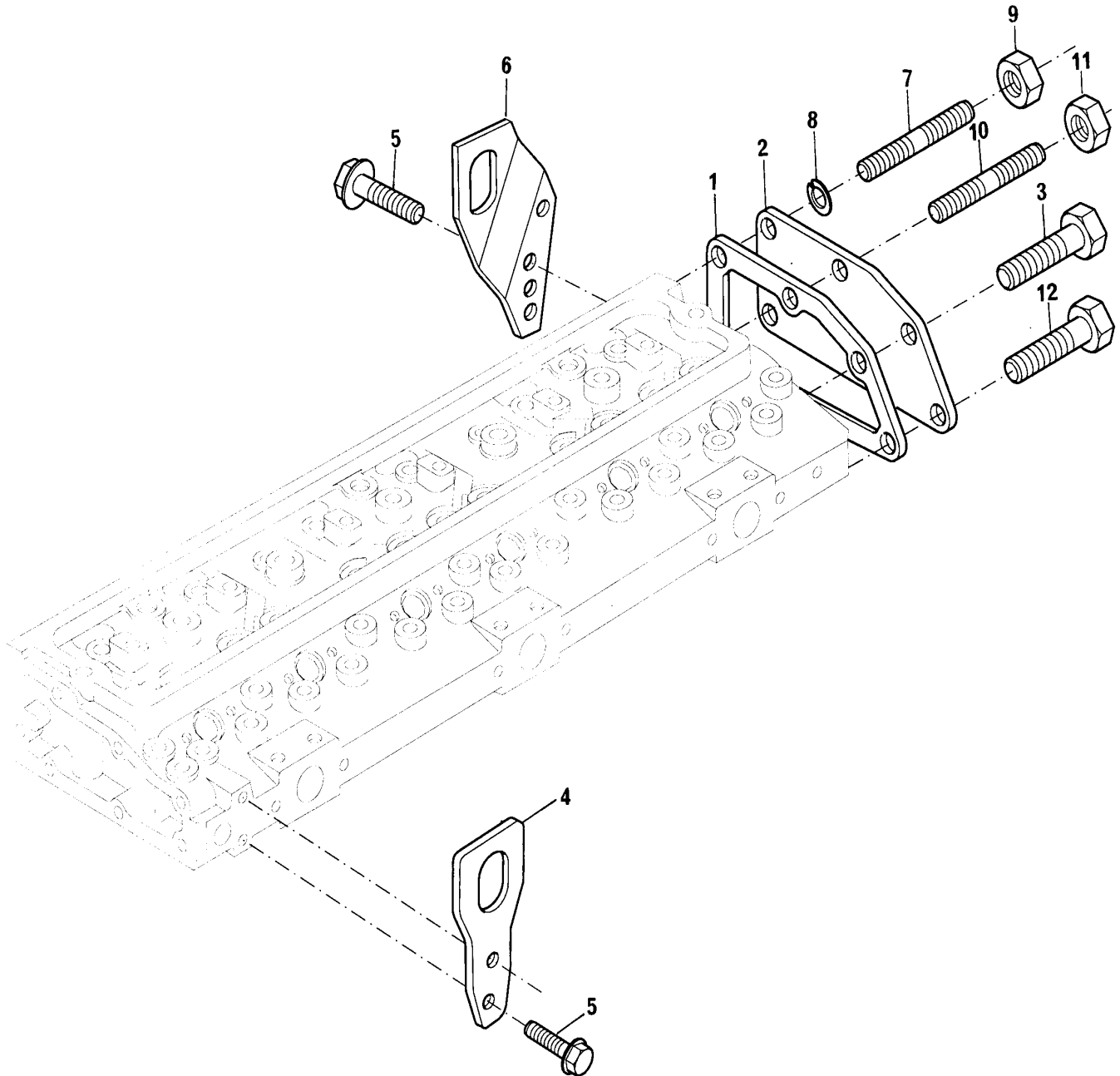
TAMPA TRASEIRA DO CABEÇOTE  
CYLINDER HEAD REAR COVER  
TAPA TRASERA DE LA CULATA  
CACHE-CULBUTEURS ARRIERE

GRUPO  
GROUP 36/84  
GRUPO  
GROUPE

1	3685R005	1	JUNTA	JOINT	JUNTA	JOINT
2	3623K007	1	TAMPA TRASEIRA	REAR COVER	TAPA TRASERA	CACHE-CULBUTEURS
3	2314H002	1	PARAFUSO	BOLT	TORNILLO	VIS
4	2314H003	1	PARAFUSO	BOLT	TORNILLO	VIS
5	3621X007	1	ALÇA	LIFTING PLATE	PLACA	PLAQUE
6	2314J003	4	PARAFUSO	BOLT	TORNILLO	VIS
7	3654W003	1	ALÇA	LIFTING PLATE	PLACA	PLAQUE
8	70820101	2	PRISIONEIRO	STUD	ESPÁRRAGO	GOUJON
9	2318A603	4	PORCA	NUT	TUERCA	ÉCROU
10	0920003	2	ARRUELA	WASHER	ARANDELA	RONDELLE
11	70820102	2	PRISIONEIRO	STUD	ESPÁRRAGO	GOUJON
12	2318A604	4	PORCA	NUT	TUERCA	ÉCROU

TAMPA TRASEIRA DO CABEÇOTE  
CYLINDER HEAD REAR COVER  
TAPA TRASERA DE LA CULATA  
CACHE-CULBUTEURS ARRIERE

GRUPO  
GROUP 36/104  
GRUPO  
GROUPE



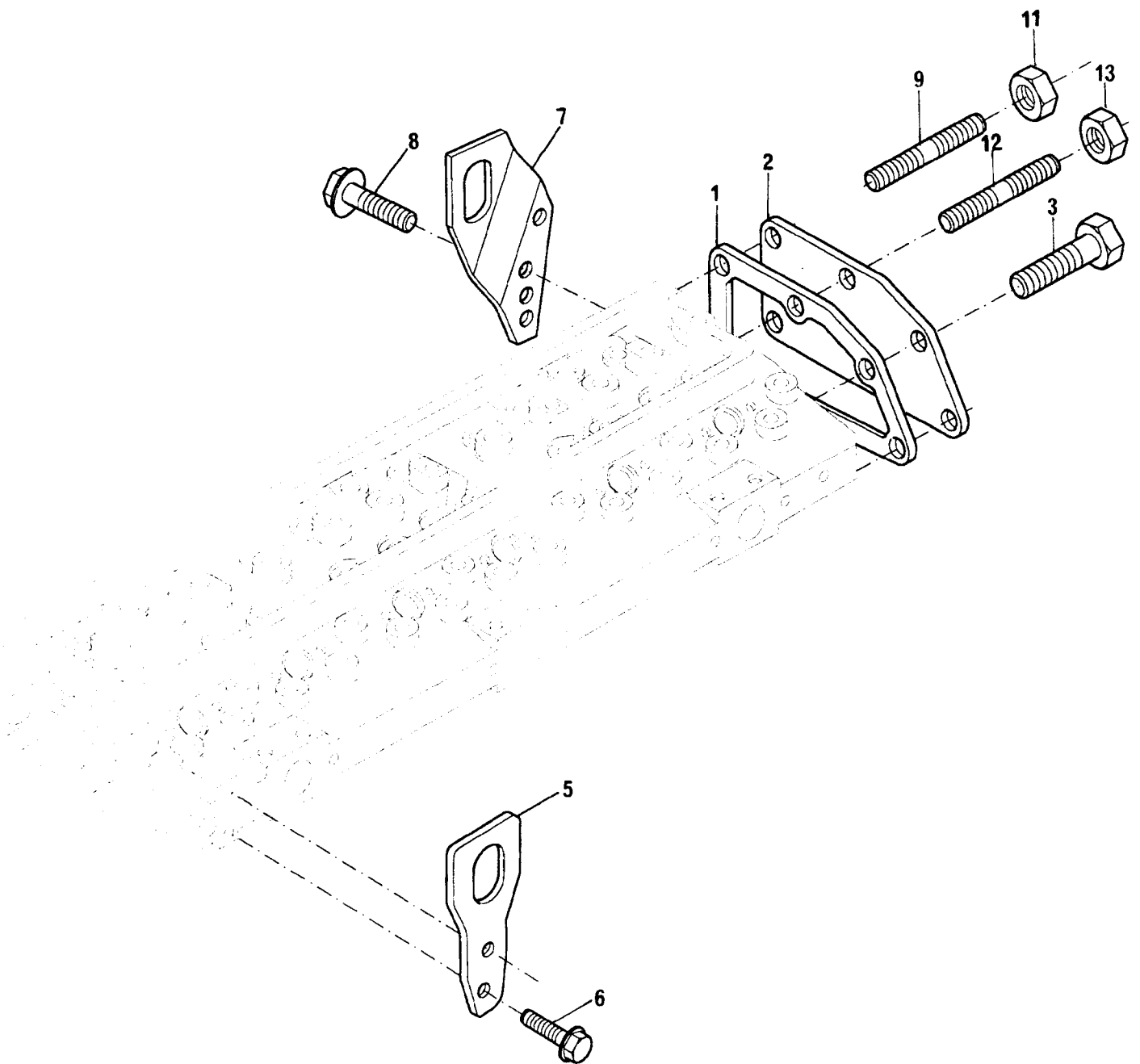
**TAMPA TRASEIRA DO CABEÇOTE**  
**CYLINDER HEAD REAR COVER**  
**TAPA TRASERA DE LA CULATA**  
**CACHE-CULBUTEURS ARRIERE**

**GRUPO**  
**GROUP** 36/104  
**GRUPO**  
**GROUPE**

1	3685R005		1	JUNTA	JOINT	JUNTA	JOINT
2	3623K007		1	TAMPA TRASEIRA	REAR COVER	TAPA TRASERA	CACHE-CULBUTEURS
3	2314H002	M8X16	1	PARAFUSO	BOLT	TORNILLO	VIS
4	3621X007		1	ALÇA	LIFTING PLATE	PLACA	PLAQUE
5	2314J003	M10X25	4	PARAFUSO	BOLT	TORNILLO	VIS
6	3654W003		1	ALÇA	LIFTING PLATE	PLACA	PLAQUE
7	2314H243		2	PRISIONEIRO	STUD	ESPÁRRAGO	GOUJON
8	0920053		2	ARRUELA	WASHER	ARANDELA	RONDELLE
9	2318A603		4	PORCA	NUT	TUERCA	ÉCROU
10	2313C078		2	PRISIONEIRO	STUD	ESPÁRRAGO	GOUJON
11	2318A604		4	PORCA	NUT	TUERCA	ÉCROU
12	2314J004	M10X30	2	PARAFUSO	BOLT	TORNILLO	VIS

TAMPA TRASEIRA DO CABEÇOTE  
CYLINDER HEAD REAR COVER  
TAPA TRASERA DE LA CULATA  
CACHE-CULBUTEURS ARRIERE

GRUPO  
GROUP 36/105  
GRUPO  
GROUPE





TAMPA TRASEIRA DO CABEÇOTE  
CYLINDER HEAD REAR COVER  
TAPA TRASERA DE LA CULATA  
CACHE-CULBUTEURS ARRIERE

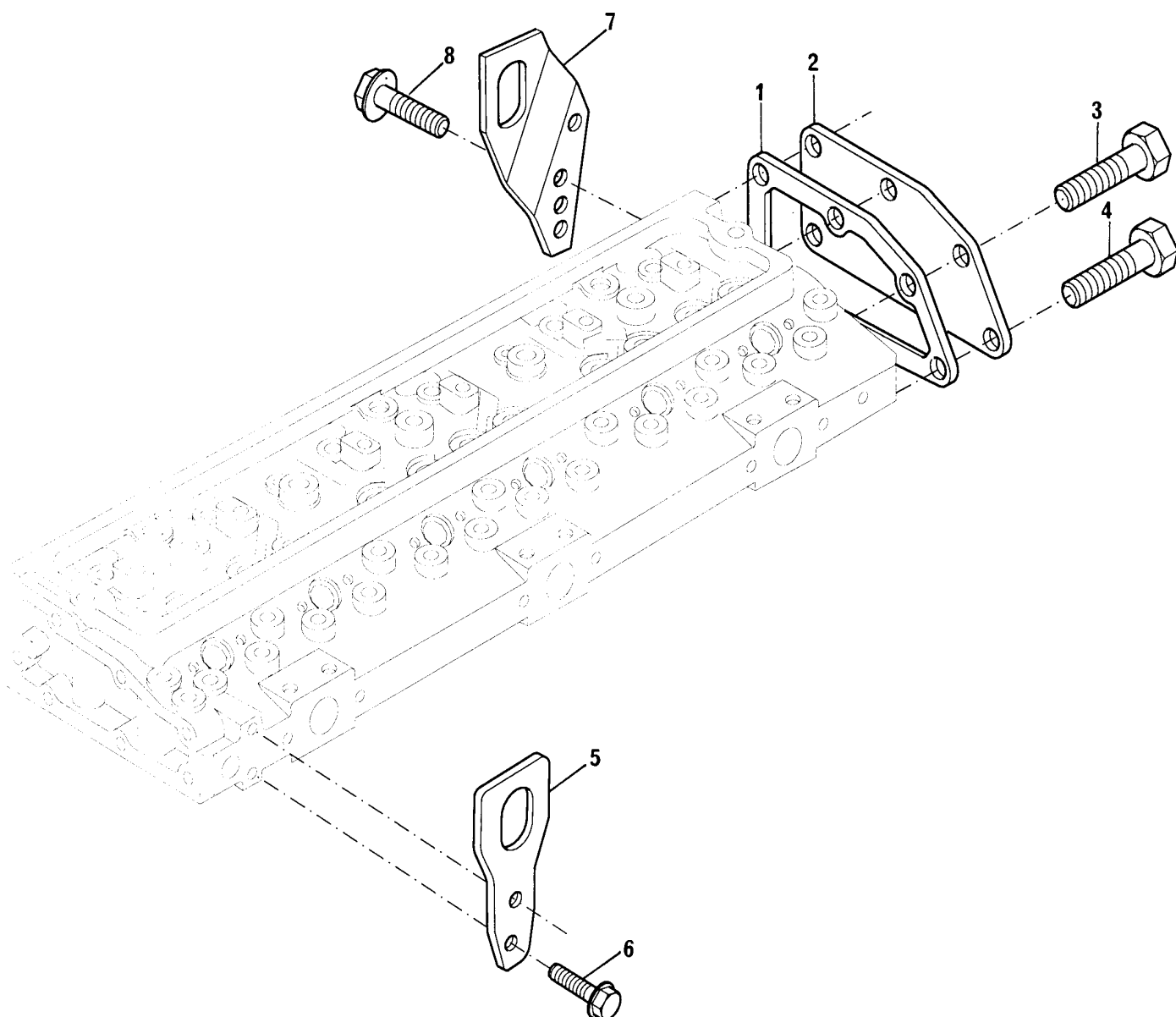
GRUPO  
GROUP 36/105  
GRUPO  
GROUPE

1	3685R005		1 JUNTA	JOINT	JUNTA	JOINT
2	3623K007		1 TAMPA TRASEIRA	REAR COVER	TAPA TRASERA	CACHE-CULBUTEURS
3	2314H002	M8X16	2 PARAFUSO	BOLT	TORNILLO	VIS
5	3621X007		1 ALÇA	LIFTING PLATE	PLACA	PLAQUE
6	2314J003	M10X25	2 PARAFUSO	BOLT	TORNILLO	VIS
7	3654W003		1 ALÇA	LIFTING PLATE	PLACA	PLAQUE
8	2314J003	M10X25	2 PARAFUSO	BOLT	TORNILLO	VIS
9	2313H243		2 PRISIONEIRO	STUD	ESPÁRRAGO	GOUJON
11	2318A603		4 PORCA	NUT	TUERCA	ÉCROU
12	2313C078		2 PRISIONEIRO	STUD	ESPÁRRAGO	GOUJON
13	2318A604		4 PORCA	NUT	TUERCA	ÉCROU

TAMPA TRASEIRA DO CABEÇOTE  
CYLINDER HEAD REAR COVER  
TAPA TRASERA DE LA CULATA  
CACHE-CULBUTEURS ARRIERE

GRUPO  
GROUP  
GRUPO  
GROUPE

36/106



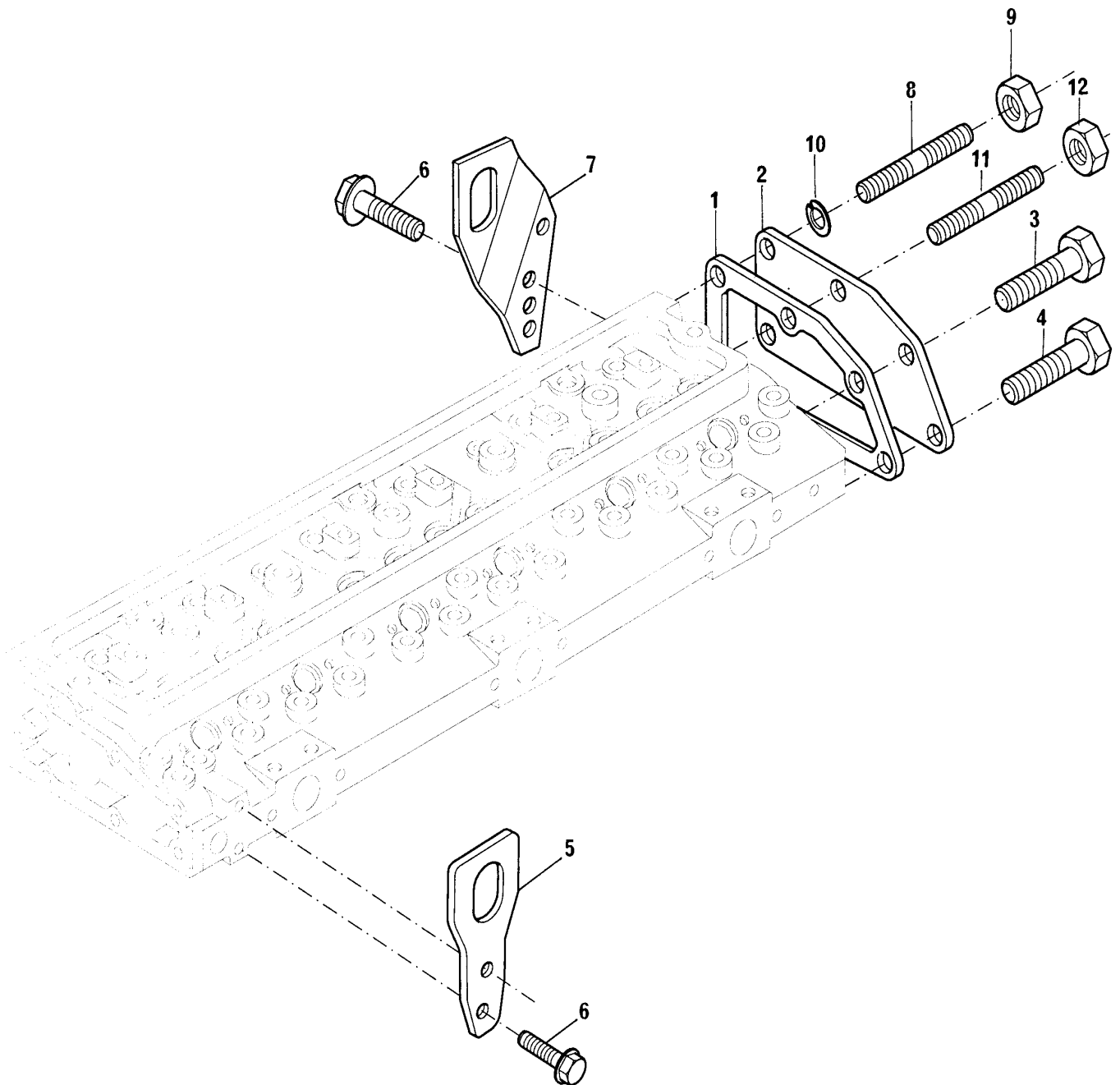
TAMPA TRASEIRA DO CABEÇOTE  
CYLINDER HEAD REAR COVER  
TAPA TRASERA DE LA CULATA  
CACHE-CULBUTEURS ARRIERE

GRUPO  
GROUP 36/106  
GRUPO  
GROUPE

1	3685R005		1 JUNTA	JOINT	JUNTA	JOINT
2	3623K007		1 TAMPA TRASEIRA	REAR COVER	TAPA TRASERA	CACHE-CULBUTEURS
3	2314H002	M8X16	1 PARAFUSO	BOLT	TORNILLO	VIS
4	2314J002	M10X20	2 PARAFUSO	BOLT	TORNILLO	VIS
5	3621X007		1 ALÇA	LIFTING PLATE	PLACA	PLAQUE
6	2314J004	M10X30	2 PARAFUSO	BOLT	TORNILLO	VIS
7	3654W003		1 ALÇA	LIFTING PLATE	PLACA	PLAQUE
8	2314J003	M10X25	4 PARAFUSO	BOLT	TORNILLO	VIS

TAMPA TRASEIRA DO CABEÇOTE  
CYLINDER HEAD REAR COVER  
TAPA TRASERA DE LA CULATA  
CACHE-CULBUTEURS ARRIERE

GRUPO  
GROUP 36/107  
GRUPO  
GROUPE



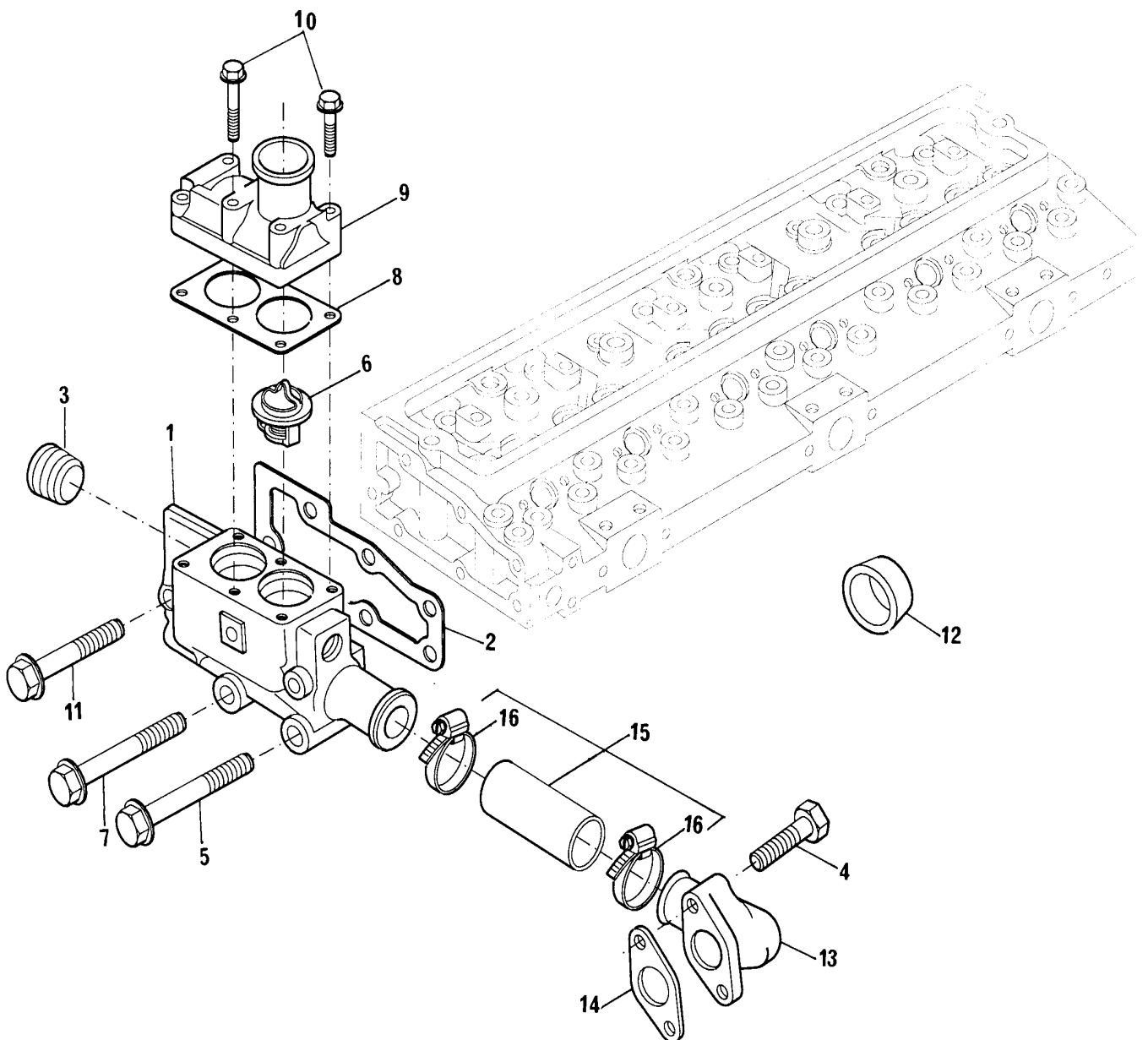
TAMPA TRASEIRA DO CABEÇOTE  
CYLINDER HEAD REAR COVER  
TAPA TRASERA DE LA CULATA  
CACHE-CULBUTEURS ARRIERE

GRUPO  
GROUP 36/107  
GRUPO  
GROUPE

1	3685R005		1 JUNTA	JOINT	JUNTA	JOINT
2	3623K007		1 TAMPA TRASEIRA	REAR COVER	TAPA TRASERA	CACHE-CULBUTEURS
3	2314H002	M8X16	1 PARAFUSO	BOLT	TORNILLO	VIS
4	2314J004	M10X30	2 PARAFUSO	BOLT	TORNILLO	VIS
5	3621X007		1 ALÇA	LIFTING PLATE	PLACA	PLAQUE
6	2314J003	M10X25	4 PARAFUSO	BOLT	TORNILLO	VIS
7	3654W003		1 ALÇA	LIFTING PLATE	PLACA	PLAQUE
8	2313H243		2 PRISIONEIRO	STUD	ESPÁRRAGO	GOUJON
9	2318A603		2 PORCA	NUT	TUERCA	ÉCROU
10	0920053		2 ARRUELA	WASHER	ARANDELA	RONDELLE
11	2313C078		2 PRISIONEIRO	STUD	ESPÁRRAGO	GOUJON
12	2318A604		2 PORCA	NUT	TUERCA	ÉCROU

TERMOSTATO E CARÇA  
THERMOSTAT AND HOUSING  
TERMOSTATO Y CÂRTER  
THERMOSTAT ET CARTER

GRUPO  
GROUP 37/116  
GRUPO  
GROUPE



TERMOSTATO E CARÇAÇA  
THERMOSTAT AND HOUSING  
TERMOSTATO Y CÂRTER  
THERMOSTAT ET CARTER

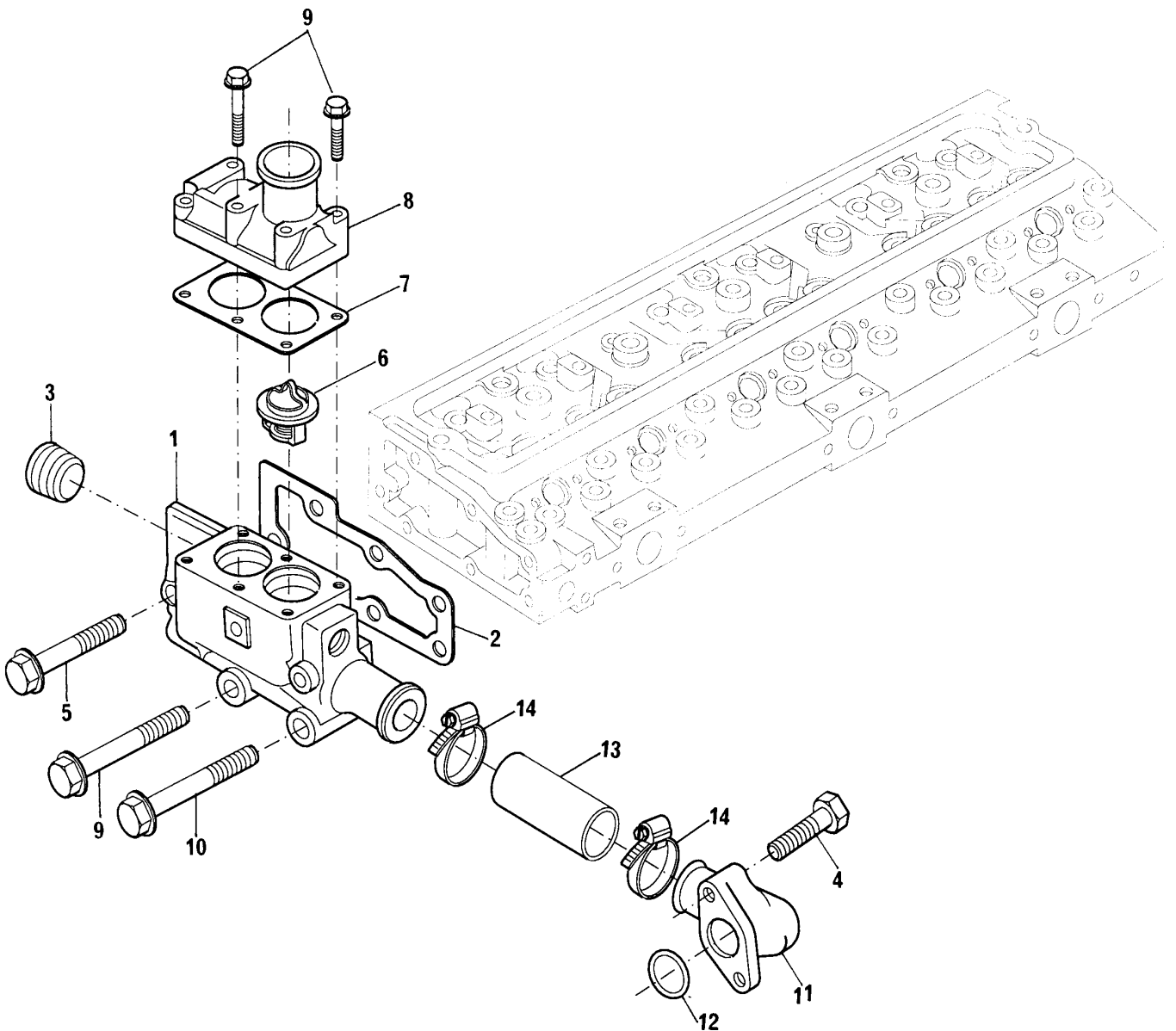
GRUPO  
GROUP 37/116  
GRUPO  
GRUPE

1	3771K083		1 CARÇAÇA	HOUSING	CAJA	CARTER
2	3685F005		1 JUNTA	JOINT	JUNTA	JOINT
3	70650119		2 BUJÃO	PLUG	TAPÓN	BOUCHON
4	2314H004		2 PARAFUSO	BOLT	TORNILLO	VIS
5	2314J012		2 PARAFUSO	BOLT	TORNILLO	VIS
6	70998113		2 TERMOSTATO	THERMOSTAT	TERMOSTATO	THERMOSTAT
7	2314J004		2 PARAFUSO	BOLT	TORNILLO	VIS
8	3684A004		1 JUNTA	JOINT	JUNTA	JOINT
9	3771K101		1 CONEXÃO	CONNECTION	CONEXIÓN	RACCORD
10	2314H010		8 PARAFUSO	BOLT	TORNILLO	VIS
11	2314H008		1 PARAFUSO	BOLT	TORNILLO	VIS
12	70650074		1 BUJÃO	PLUG	TAPÓN	BOUCHON
13	3764E061		1 CONEXÃO	CONNECTION	CONEXIÓN	RACCORD
14	3683N004		1 JUNTA	JOINT	JUNTA	JOINT
15	U5MH0050		1 MANGUEIRA	HOSE	MANGUERA	DURITE
16	70180156	15	2 BRAÇADEIRA	CLAMP	ABRAZADERA	COLLIER

TERMOSTATO E CARÇA  
THERMOSTAT AND HOUSING  
TERMOSTATO Y CÂRTER  
THERMOSTAT ET CARTER

GRUPO  
GROUP  
GRUPO  
GROUPE

37/142





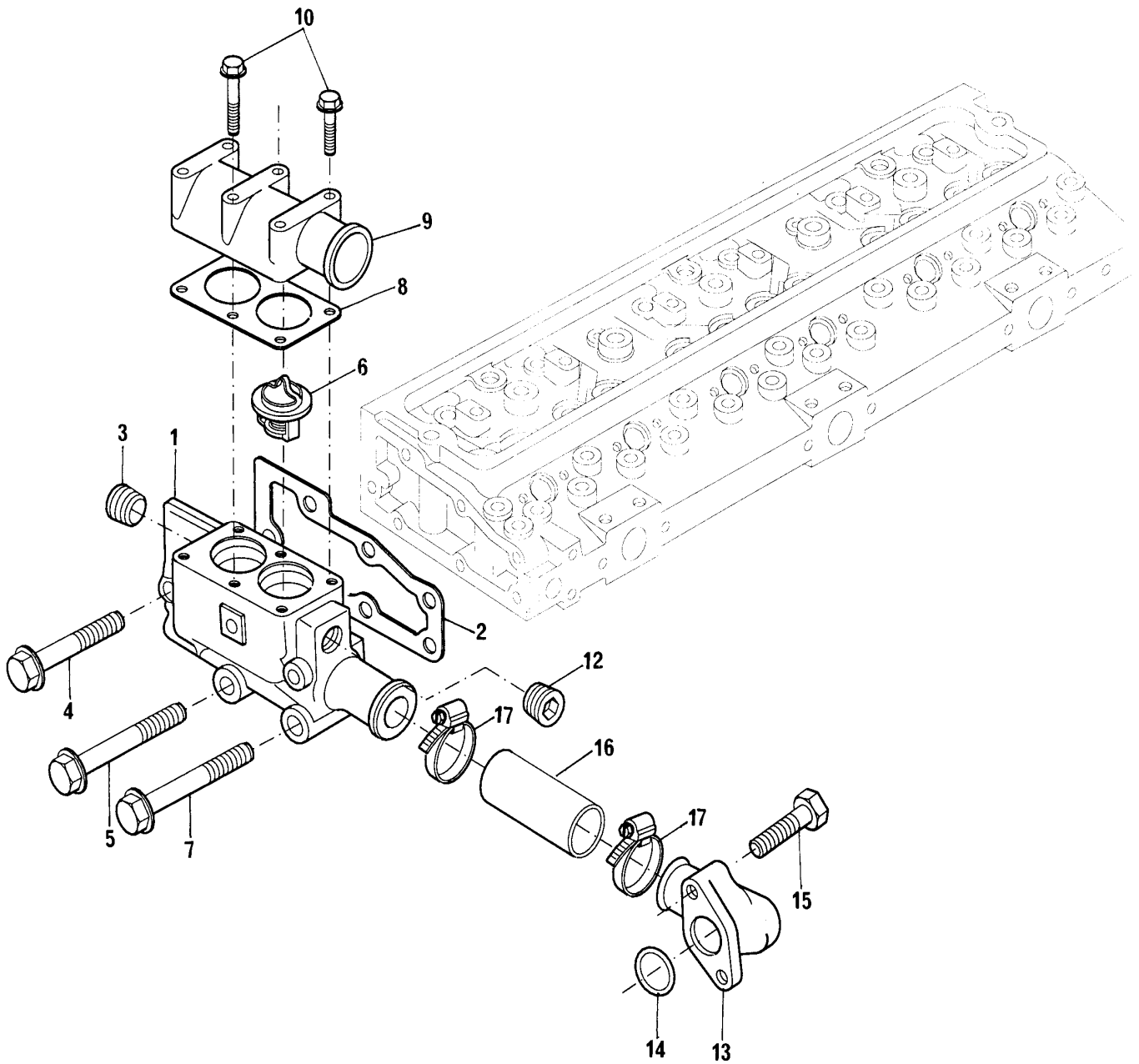
TERMOSTATO E CARÇA  
THERMOSTAT AND HOUSING  
TERMOSTATO Y CÂRTER  
THERMOSTAT ET CARTER

GRUPO  
GROUP 37/142  
GRUPO  
GROUPE

1	3771K083		1	CARÇA	HOUSING	CAJA	CARTER
2	3685F005		1	JUNTA	JOINT	JUNTA	JOINT
3	70650119		2	BUJÃO	PLUG	TAPÓN	BOUCHON
4	2314H004	M8X25	2	PARAFUSO	BOLT	TORNILLO	VIS
5	2314J012	M10X70	2	PARAFUSO	BOLT	TORNILLO	VIS
6	70998113		2	TERMOSTATO	THERMOSTAT	TERMOSTATO	THERMOSTAT
7	3684A004		1	JUNTA	JOINT	JUNTA	JOINT
8	3771K101		1	CONEXÃO	CONNECTION	CONEXIÓN	RACCORD
9	2314H010	M8X55	8	PARAFUSO	BOLT	TORNILLO	VIS
10	2314H008	M8X45	2	PARAFUSO	BOLT	TORNILLO	VIS
11	4133L012		1	CONEXÃO	CONNECTION	CONEXIÓN	RACCORD
12	2415A076	11	1	ANEL "O"	"O" RING	ARO SELLO	JOINT TORIQUE
13	33854114		1	MANGUEIRA	HOSE	MANGUERA	DURITE
14	70180156		2	BRAÇADEIRA	CLAMP	ABRAZADERA	COLLIER

TERMOSTATO E CARÇAÇA  
THERMOSTAT AND HOUSING  
TERMOSTATO Y CÂRTER  
THERMOSTAT ET CARTER

GRUPO  
GROUP 37/143  
GRUPO  
GROUPE



TERMOSTATO E CARÇAÇA  
THERMOSTAT AND HOUSING  
TERMOSTATO Y CÂRTER  
THERMOSTAT ET CARTER

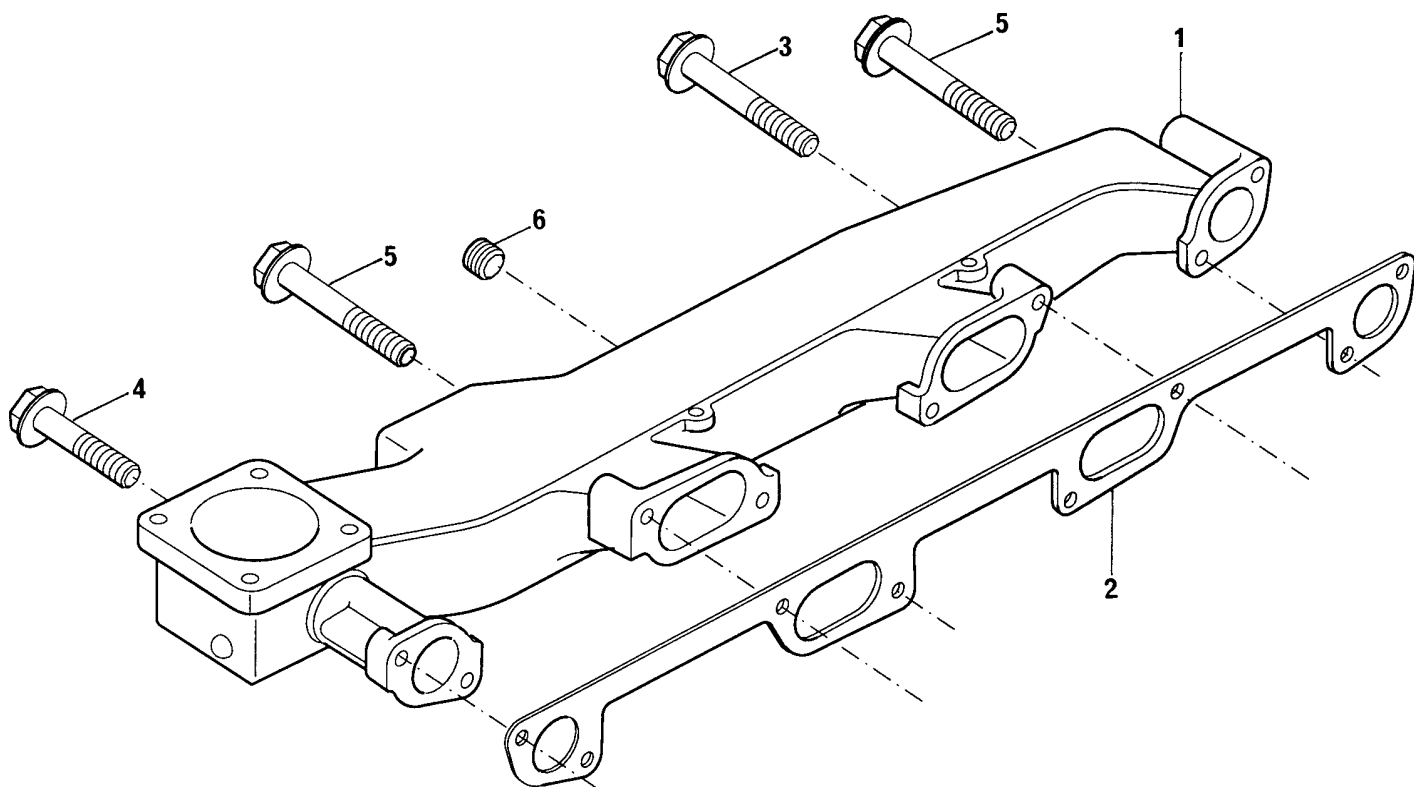
GRUPO  
GROUP 37/143  
GRUPO  
GROUPE

1	3771K121		1	CARÇAÇA	HOUSING	CAJA	CARTER
2	3685F005		1	JUNTA	JOINT	JUNTA	JOINT
3	70650119		2	BUJÃO	PLUG	TAPÓN	BOUCHON
4	2314J013	M10X75	2	PARAFUSO	BOLT	TORNILLO	VIS
5	2314H015	M8X80	2	PARAFUSO	BOLT	TORNILLO	VIS
6	70998113		2	TERMOSTATO	THERMOSTAT	TERMOSTATO	THERMOSTAT
7	2314H008	M8X45	1	PARAFUSO	BOLT	TORNILLO	VIS
8	3684A004		1	JUNTA	JOINT	JUNTA	JOINT
9	3776E011		1	CONEXÃO	CONNECTION	CONEXIÓN	RACCORD
10	2314H013	M8X70	6	PARAFUSO	BOLT	TORNILLO	VIS
12	70650121		1	BUJÃO	PLUG	TAPÓN	BOUCHON
13	4133L012		1	CONEXÃO	CONNECTION	CONEXIÓN	RACCORD
14	2415A076	13	1	ANEL "O"	"O" RING	ARO SELLO	JOINT TORIQUE
15	2314H004	M8X25	2	PARAFUSO	BOLT	TORNILLO	VIS
16	33854114		1	MANGUEIRA	HOSE	MANGUERA	DURITE
17	70180156		2	BRAÇADEIRA	CLAMP	ABRAZADERA	COLLIER

COLETOR DE ADMISSÃO  
INDUCTION MANIFOLD  
MÚLTIPLE DE ADMISIÓN  
COLLECTEUR D'ADMISSION

GRUPO  
GROUP  
GRUPO  
GRUPE

38/109



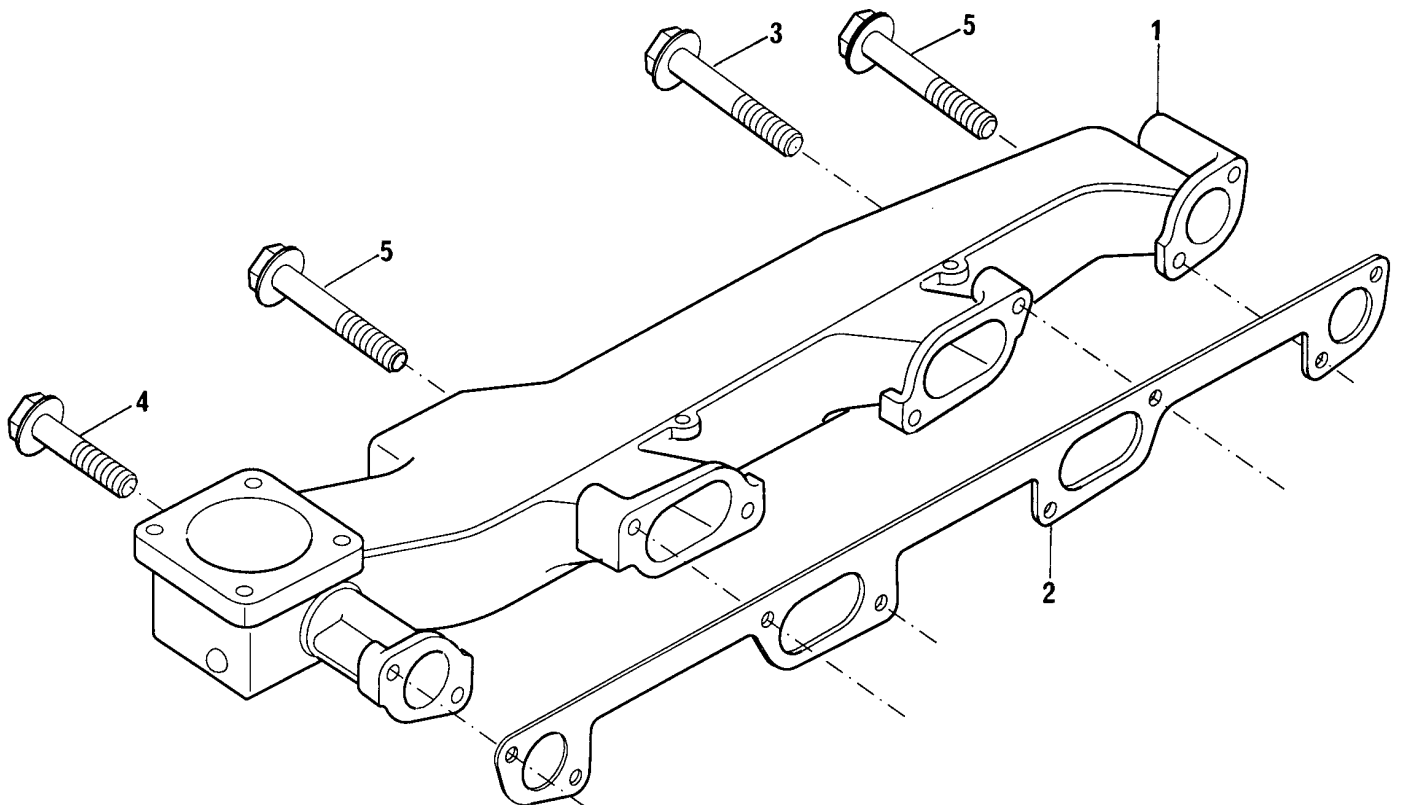
**COLETOR DE ADMISSÃO  
INDUCTION MANIFOLD  
MÚLTIPLE DE ADMISIÓN  
COLLECTEUR D'ADMISSION**

**GRUPO  
GROUP  
GRUPO  
GROUPE** **38/109**

1	3777J122	1	COLETOR ADMISSÃO	MANIFOLD	MÚLTIPLE	COLLECTEUR
2	3688C028	1	JUNTA	JOINT	JUNTA	JOINT
3	2314J046	1	PARAFUSO	BOLT	TORNILLO	VIS
4	2314J038	2	PARAFUSO	BOLT	TORNILLO	VIS
5	2314J034	5	PARAFUSO	BOLT	TORNILLO	VIS
6	70650116	1	BUJÃO	PLUG	TAPÓN	BOUCHON

COLETOR DE ADMISSÃO  
INDUCTION MANIFOLD  
MÚLTIPLE DE ADMISIÓN  
COLLECTEUR D'ADMISSION

GRUPO  
GROUP 38/116  
GRUPO  
GROUPE



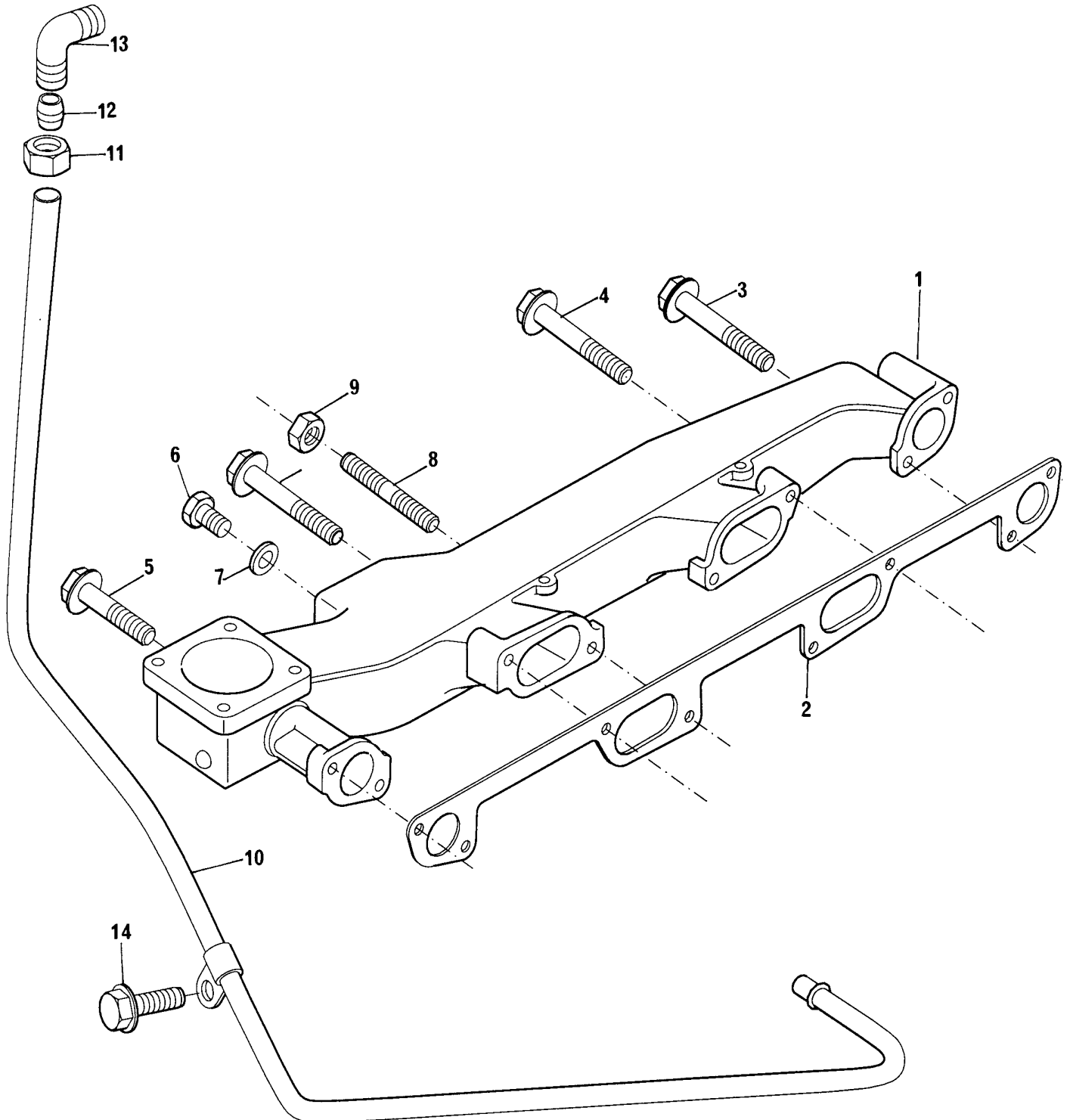
**COLETOR DE ADMISSÃO  
INDUCTION MANIFOLD  
MÚLTIPLE DE ADMISIÓN  
COLLECTEUR D'ADMISSION**

**GRUPO  
GROUP 38/116  
GRUPO  
GROUPE**

1	3777J122	1	COLETOR ADMISSÃO	MANIFOLD	MÚLTIPLE	COLLECTEUR
2	3688C028	1	JUNTA	JOINT	JUNTA	JOINT
3	2314J038	2	PARAFUSO	BOLT	TORNILLO	VIS
4	2314J046	1	PARAFUSO	BOLT	TORNILLO	VIS
5	2314J034	5	PARAFUSO	BOLT	TORNILLO	VIS

COLETOR DE ADMISSÃO  
INDUCTION MANIFOLD  
MÚLTIPLE DE ADMISIÓN  
COLLECTEUR D'ADMISSION

GRUPO  
GROUP 38/139  
GRUPO  
GROUPE





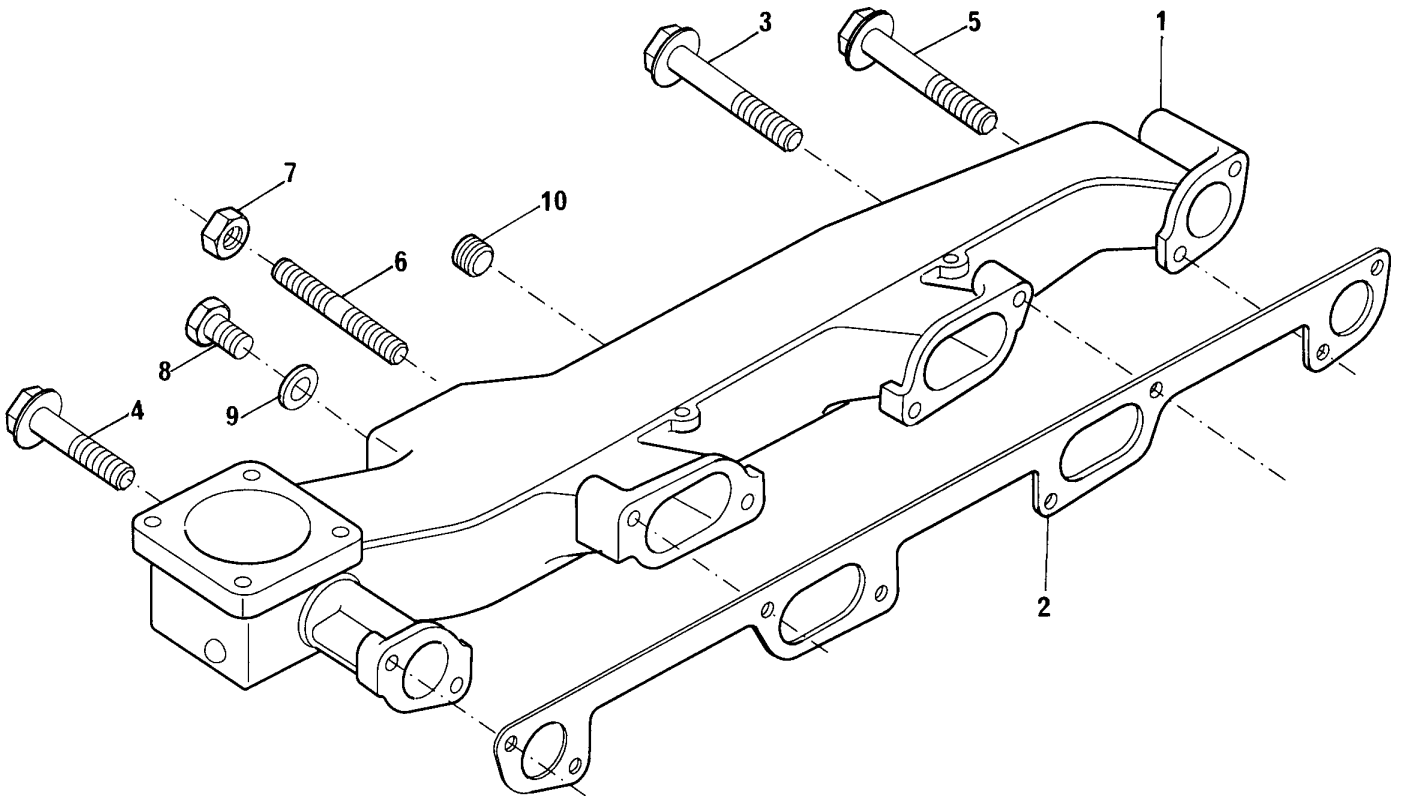
**COLETOR DE ADMISSÃO  
INDUCTION MANIFOLD  
MÚLTIPLE DE ADMISIÓN  
COLLECTEUR D'ADMISSION**

**GRUPO  
GROUP 38/139  
GRUPO  
GROUPE**

1	3777J122		1	COLETOR ADMISSÃO	MANIFOLD	MÚLTIPLE	COLLECTEUR
2	3688C028		1	JUNTA	JOINT	JUNTA	JOINT
3	2314J046	M10X90	1	PARAFUSO	BOLT	TORNILLO	VIS
4	2314J038	M10X50	2	PARAFUSO	BOLT	TORNILLO	VIS
5	2314J034	M10X30	3	PARAFUSO	BOLT	TORNILLO	VIS
6	80650722		1	BUJÃO	PLUG	TAPÓN	BOUCHON
7	70920065		1	ARRUELA	WASHER	ARANDELA	RONDELLE
8	3254K009		2	PRISIONEIRO	STUD	ESPÁRRAGO	GOUJON
9	2318A604		2	PORCA	NUT	TUERCA	ÉCROU
10	4124E041		1	TUBO	PIPE	CAÑO	TUYAUTERIE
11	0576111		1	PORCA	NUT	TUERCA	ÉCROU
12	0566002		1	OLIVA	OLIVE	OLIVA	OLIVE
13	70200582		1	COTOVELO	ELBOW	CODO	COUDE
14	2314H002	M8X16	1	PARAFUSO	BOLT	TORNILLO	VIS

COLETOR DE ADMISSÃO  
INDUCTION MANIFOLD  
MÚLTIPLE DE ADMISIÓN  
COLLECTEUR D'ADMISSION

GRUPO  
GROUP 38/140  
GRUPO  
GRUPE



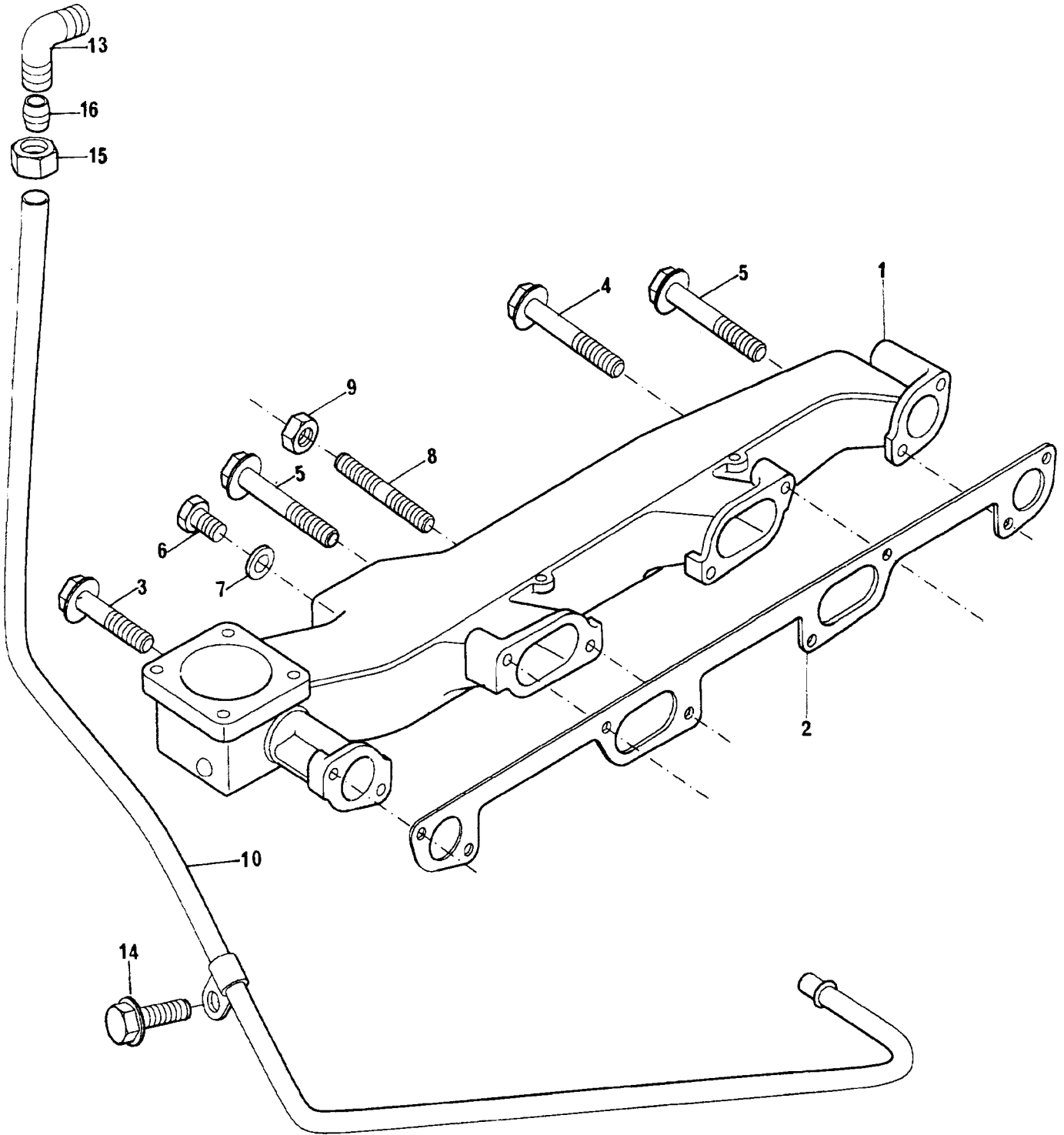
**COLETOR DE ADMISSÃO  
INDUCTION MANIFOLD  
MÚLTIPLE DE ADMISIÓN  
COLLECTEUR D'ADMISSION**

**GRUPO  
GROUP 38/140  
GRUPO  
GROUPE**

1	3777J122		1	COLETOR ADMISSÃO	MANIFOLD	MÚLTIPLE	COLLECTEUR
2	3688C028		1	JUNTA	JOINT	JUNTA	JOINT
3	2314J046	M10X90	1	PARAFUSO	BOLT	TORNILLO	VIS
4	2314J038	M10X50	2	PARAFUSO	BOLT	TORNILLO	VIS
5	2314J034	M10X30	3	PARAFUSO	BOLT	TORNILLO	VIS
6	3254K009		2	PRISIONEIRO	STUD	ESPÁRAGO	GOUJON
7	2318A604		2	PORCA	NUT	TUERCA	ÉCROU
8	80650722		1	BUJÃO	PLUG	TAPÓN	BOUCHON
9	70920065		1	ARRUELA	WASHER	ARANDELA	RONDELLE
10	70650116		1	BUJÃO	PLUG	TAPÓN	BOUCHON

COLETOR DE ADMISSÃO  
INDUCTION MANIFOLD  
MÚLTIPLE DE ADMISIÓN  
COLLECTEUR D'ADMISSION

GRUPO  
GROUP 38/141  
GRUPO  
GROUPE



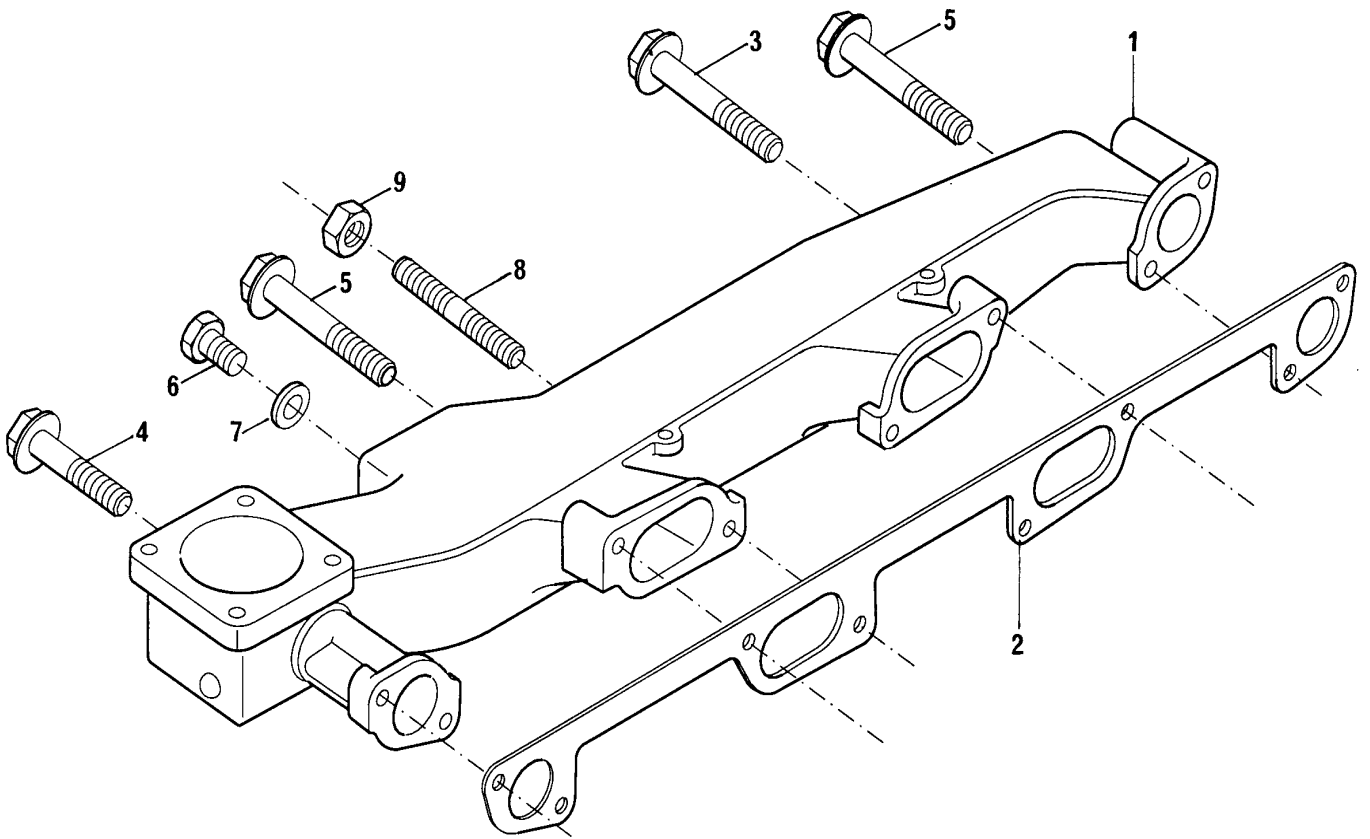
**COLETOR DE ADMISSÃO  
INDUCTION MANIFOLD  
MÚLTIPLE DE ADMISIÓN  
COLLECTEUR D'ADMISSION**

**GRUPO  
GROUP 38/141  
GRUPO  
GROUPE**

1	3777J122		1 COLETOR ADMISSÃO	MANIFOLD	MÚLTIPLE	COLLECTEUR
2	3688C028		1 JUNTA	JOINT	JUNTA	JOINT
3	2314J038	M10X50	2 PARAFUSO	BOLT	TORNILLO	VIS
4	2314J046	M10X90	1 PARAFUSO	BOLT	TORNILLO	VIS
5	2314J034	M10X30	3 PARAFUSO	BOLT	TORNILLO	VIS
6	80650722		1 BUJÃO	PLUG	TAPÓN	BOUCHON
7	70920065		1 ARRUELA	WASHER	ARANDELA	RONDELLE
8	3254K009		2 PRISIONEIRO	STUD	ESPÁRRAGO	GOUJON
9	2318A604		2 PORCA	NUT	TUERCA	ÉCROU
10	4124E041		1 TUBO	PIPE	CAÑO	TUYAUTERIE
13	70200582		1 COTOVELO	ELBOW	CODO	COUDE
14	2314H002	M8X16	1 PARAFUSO	BOLT	TORNILLO	VIS
15	0576111		1 PORCA	NUT	TUERCA	ÉCROU
16	0566002		1 OLIVA	OLIVE	OLIVA	OLIVE

COLETOR DE ADMISSÃO  
INDUCTION MANIFOLD  
MÚLTIPLE DE ADMISIÓN  
COLLECTEUR D'ADMISSION

GRUPO  
GROUP 38/142  
GRUPO  
GROUPE



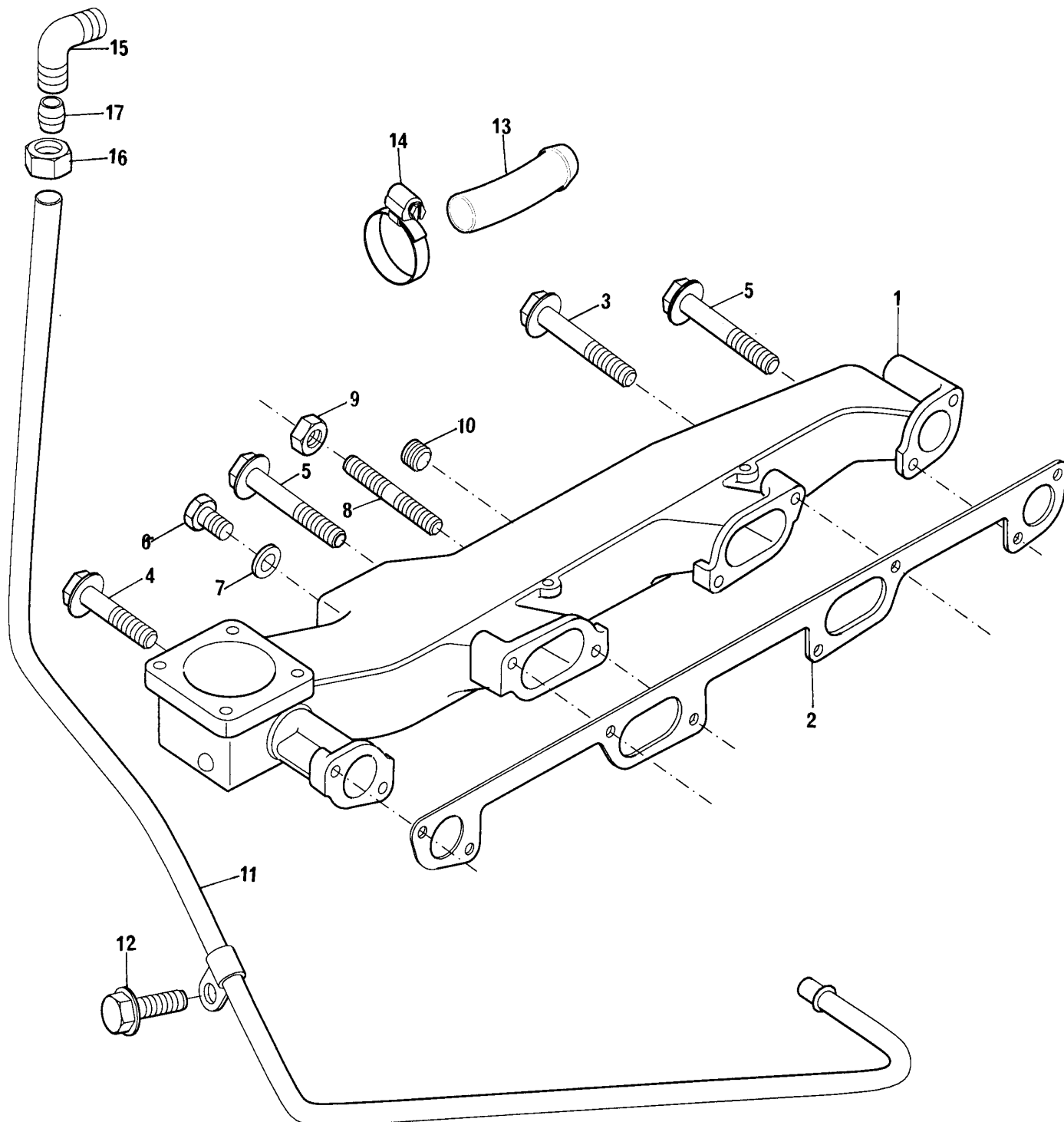
**COLETOR DE ADMISSÃO  
INDUCTION MANIFOLD  
MÚLTIPLE DE ADMISIÓN  
COLLECTEUR D'ADMISSION**

**GRUPO  
GROUP 38/142  
GRUPO  
GROUPE**

1	3777J122		1	COLETOR ADMISSÃO	MANIFOLD	MÚLTIPLE	COLLECTEUR
2	3688C028		1	JUNTA	JOINT	JUNTA	JOINT
3	2314J046	M10X90	1	PARAFUSO	BOLT	TORNILLO	VIS
4	2314J038	M10X50	2	PARAFUSO	BOLT	TORNILLO	VIS
5	2314J034	M10X30	3	PARAFUSO	BOLT	TORNILLO	VIS
6	80650722		1	BUJÃO	PLUG	TAPÓN	BOUCHON
7	70920065		1	ARRUELA	WASHER	ARANDELA	RONDELLE
8	3254K009		2	PRISIONEIRO	STUD	ESPÁRRAGO	GOUJON
9	2318A604		2	PORCA	NUT	TUERCA	ÉCROU

COLETOR DE ADMISSÃO  
INDUCTION MANIFOLD  
MÚLTIPLE DE ADMISIÓN  
COLLECTEUR D'ADMISSION

GRUPO  
GROUP 38/147  
GRUPO  
GROUPE





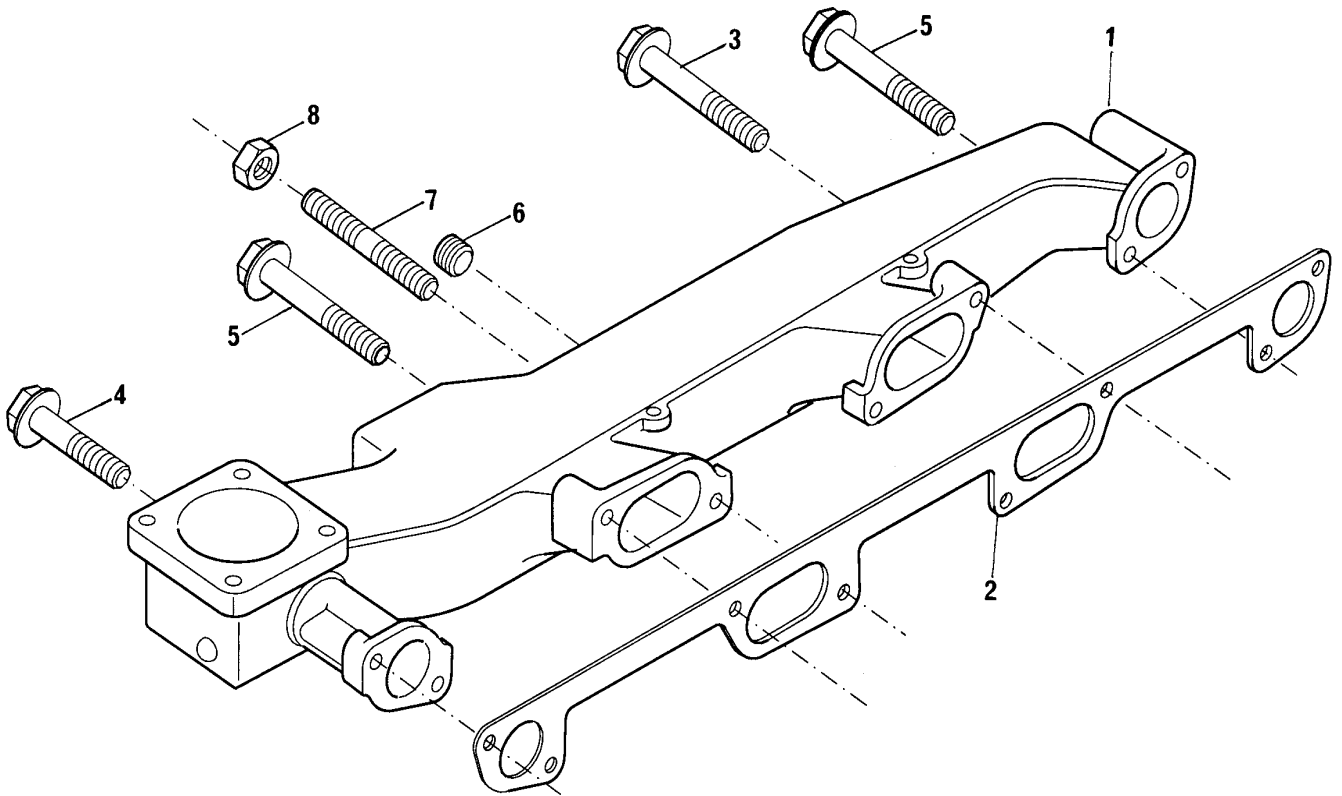
COLETOR DE ADMISSÃO  
INDUCTION MANIFOLD  
MÚLTIPLE DE ADMISIÓN  
COLLECTEUR D'ADMISSION

GRUPO  
GROUP 38/147  
GRUPO  
GROUPE

1	3777J122		1	COLETOR ADMISSÃO	MANIFOLD	MÚLTIPLE	COLLECTEUR
2	3688C028		1	JUNTA	JOINT	JUNTA	JOINT
3	2314J046	M10X90	1	PARAFUSO	BOLT	TORNILLO	VIS
4	2314J038	M10X50	2	PARAFUSO	BOLT	TORNILLO	VIS
5	2314J034	M10X30	3	PARAFUSO	BOLT	TORNILLO	VIS
6	80650722		1	BUJÃO	PLUG	TAPÓN	BOUCHON
7	70920065		1	ARRUELA	WASHER	ARANDELA	RONDELLE
8	3254K009		2	PRISIONEIRO	STUD	ESPÁRRAGO	GOUJON
9	2318A604		2	PORCA	NUT	TUERCA	ÉCROU
10	70650116		1	BUJÃO	PLUG	TAPÓN	GOUJON
11	4124E041		1	TUBO	PIPE	CAÑO	TUYAUTERIE
12	2314H002	M8X16	1	PARAFUSO	BOLT	TORNILLO	VIS
13	3386A004		1	MANGUEIRA	HOSE	MANGUERA	DURITE
14	2481C002		2	PRESILHA	CLIP	SUJETADOR	AGRAFE
15	70200582		1	COTOVELO	ELBOW	CODO	COUDE
16	0576111		1	PORCA	NUT	TUERCA	ÉCROU
17	0566002		1	OLIVA	OLIVE	OLIVA	OLIVE

COLETOR DE ADMISSÃO  
INDUCTION MANIFOLD  
MÚLTIPLE DE ADMISIÓN  
COLLECTEUR D'ADMISSION

GRUPO  
GROUP 38/150  
GRUPO  
GROUPE



**COLETOR DE ADMISSÃO  
INDUCTION MANIFOLD  
MÚLTIPLE DE ADMISIÓN  
COLLECTEUR D'ADMISSION**

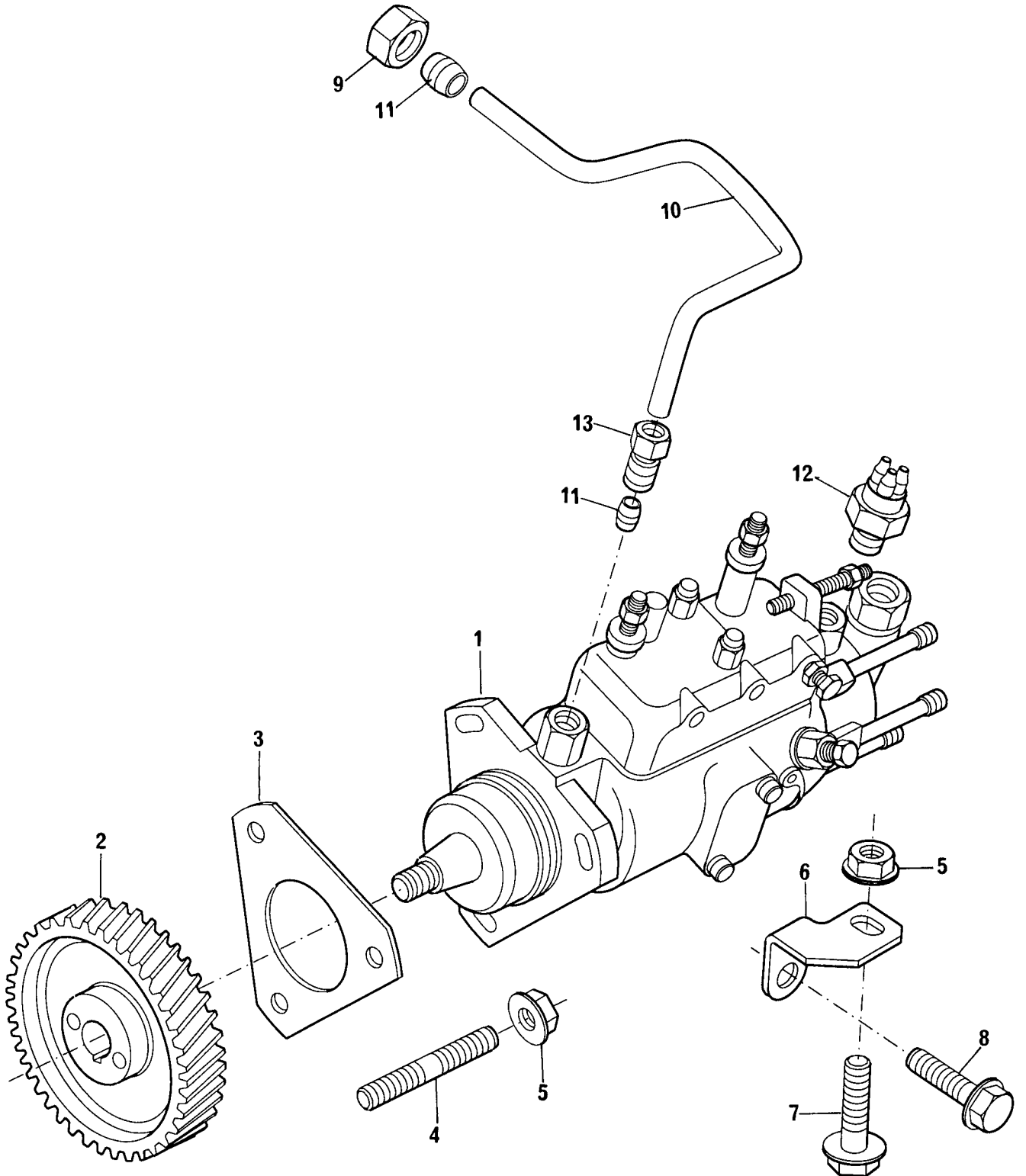
**GRUPO  
GROUP 38/150  
GRUPO  
GROUPE**

1	3777J122		1 COLETOR ADMISSÃO	MANIFOLD	MÚLTIPLE	COLLECTEUR
2	3688C028		1 JUNTA	JOINT	JUNTA	JOINT
3	2314J046	M10X90	1 PARAFUSO	BOLT	TORNILLO	VIS
4	2314J038	M10X50	2 PARAFUSO	BOLT	TORNILLO	VIS
5	2314J034	M10X30	3 PARAFUSO	BOLT	TORNILLO	VIS
6	70650116		1 BUJÃO	PLUG	TAPÓN	BOUCHON
7	3254K009		2 PRISIONEIRO	STUD	ESPÁRRAGO	GOUJON
8	2318A604		2 PORCA	NUT	TUERCA	ÉCROU

BOMBA INJETORA DE COMBUSTÍVEL  
FUEL INJECTION PUMP  
BOMBA DE INYECCIÓN DE COMBUSTIBLE  
POMPE D'INJECTION DE COMBUSTIBLE

GRUPO  
GROUP  
GRUPO  
GROUPE

39/202



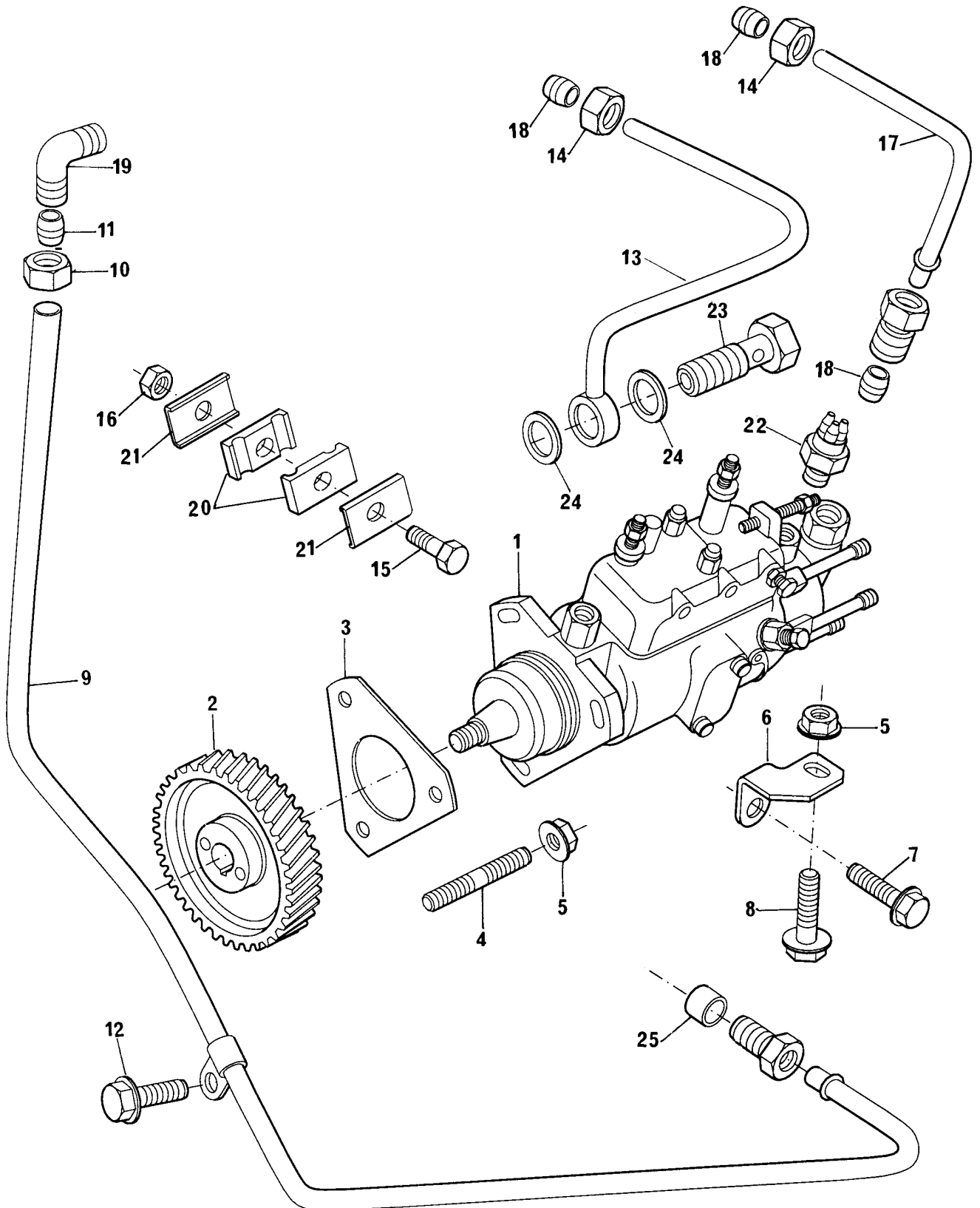
**BOMBA INJETORA DE COMBUSTÍVEL**  
**FUEL INJECTION PUMP**  
**BOMBA DE INYECCIÓN DE COMBUSTIBLE**  
**POMPE D'INJECTION DE COMBUSTIBLE**

**GRUPO**  
**GROUP** 39/202  
**GRUPO**  
**GROUPE**

1	2643D802		1	BOMBA	PUMP	BOMBA	POMPE
2	3117L052		1	ENGRENAGEM	GEAR	ENGRANAJE	PIGNON
3	70490280		1	JUNTA	JOINT	JUNTA	JOINT
4	2313M059		3	PRISIONEIRO	STUD	ESPÁRRAGO	GOUJON
5	2318A603		4	PORCA	NUT	TUERCA	ÉCROU
6	3645E008		1	SUPORTE	BRACKET	SOPORTE	SUPPORT
7	2314J002		1	PARAFUSO	BOLT	TORNILLO	VIS
8	2314H003		1	PARAFUSO	BOLT	TORNILLO	VIS
9	33225412		1	PORCA	NUT	TUERCA	ÉCROU
10	4121C021		1	TUBO	PIPE	CAÑO	TUYAUTERIE
11	33811112	10	2	OLIVA	OLIVE	OLIVA	OLIVE
12	28730179	1	1	SOLENOIDE	SOLENOID	SOLENOIDE	SOLENOIDE
13	3353D004	10	1	PORCA	NUT	TUERCA	ECROU

BOMBA INJETORA DE COMBUSTÍVEL  
FUEL INJECTION PUMP  
BOMBA DE INYECCIÓN DE COMBUSTIBLE  
POMPE D'INJECTION DE COMBUSTIBLE

GRUPO  
GROUP 39/203  
GRUPO  
GROUPE



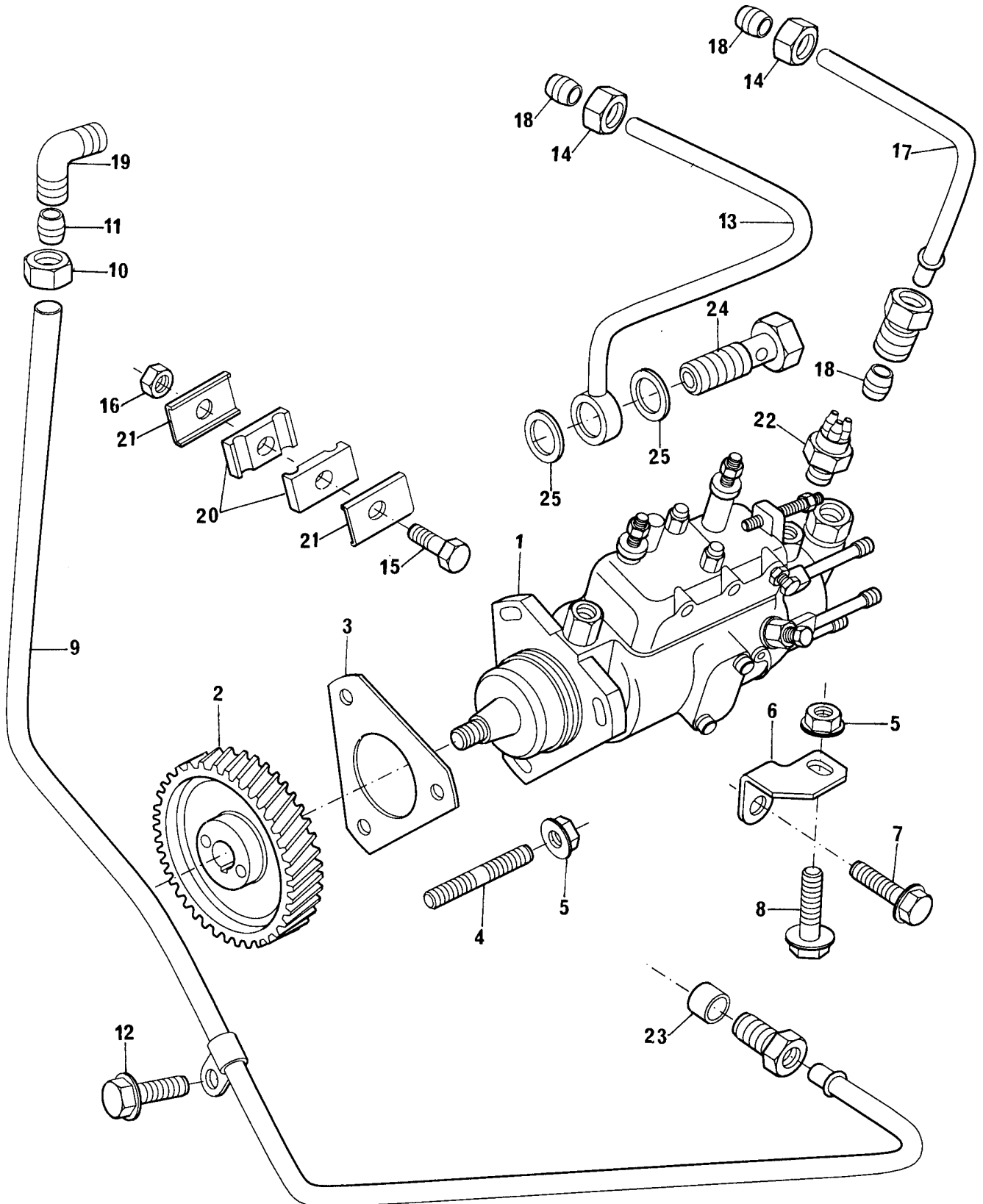
**BOMBA INJETORA DE COMBUSTÍVEL**  
**FUEL INJECTION PUMP**  
**BOMBA DE INYECCIÓN DE COMBUSTIBLE**  
**POMPE D'INJECTION DE COMBUSTIBLE**

**GRUPO**  
**GROUP** 39/203  
**GRUPO**  
**GROUPE**

1	2643M016	1	BOMBA	PUMP	BOMBA	POMPE
2	3117L052	1	ENGRENAGEM	GEAR	ENGRANAJE	PIGNON
3	70490280	1	JUNTA	JOINT	JUNTA	JOINT
4	2313M059	3	PRISIONEIRO	STUD	ESPÁRRAGO	GOUJON
5	2318A603	4	PORCA	NUT	TUERCA	ÉCROU
6	3645E008	1	SUPORTE	BRACKET	SOPORTE	SUPPORT
7	2314J002	1	PARAFUSO	BOLT	TORNILLO	VIS
8	2314H003	1	PARAFUSO	BOLT	TORNILLO	VIS
9	4124E041	1	TUBO	PIPE	CAÑO	TUYAUTERIE
10	0576111	1	PORCA	NUT	TUERCA	ÉCROU
11	0566002	1	OLIVA	OLIVE	OLIVA	OLIVE
12	2314H001	1	PARAFUSO	BOLT	TORNILLO	VIS
13	3552A013	1	TUBO	PIPE	CAÑO	TUYAUTERIE
14	33225412	3	PORCA	NUT	TUERCA	ÉCROU
15	2314E007	1	PARAFUSO	BOLT	TORNILLO	VIS
16	2318D205	1	PORCA	NUT	TUERCA	ÉCROU
17	4121C017	1	TUBO	PIPE	CAÑO	TUYAUTERIE
18	33811112	3	OLIVA	OLIVE	OLIVA	OLIVE
19	70200582	1	COTOVELO	ELBOW	CODO	COUDE
20	70600001	2	ALMOFADA	DAMPER	AMORTIGUADOR	AMORTISSEUR
21	36516119	2	PRESILHA	CLIP	SUJETADOR	AGRAFE
22	28730179	1	SOLENOIDE	SOLENOID	SOLENOIDE	SOLENOIDE
23	32184422	1	PARAFUSO BANJO	BANJO BOLT	TORNILLO BANJO	VIS BANJO
24	70920117	2	ARRUELA	WASHER	ARANDELA	RONDELLE
25	33811114	1	OLIVA	OLIVE	OLIVA	OLIVE

BOMBA INJETORA DE COMBUSTÍVEL  
FUEL INJECTION PUMP  
BOMBA DE INYECCIÓN DE COMBUSTIBLE  
POMPE D'INJECTION DE COMBUSTIBLE

GRUPO  
GROUP 39/204  
GRUPO  
GROUPE





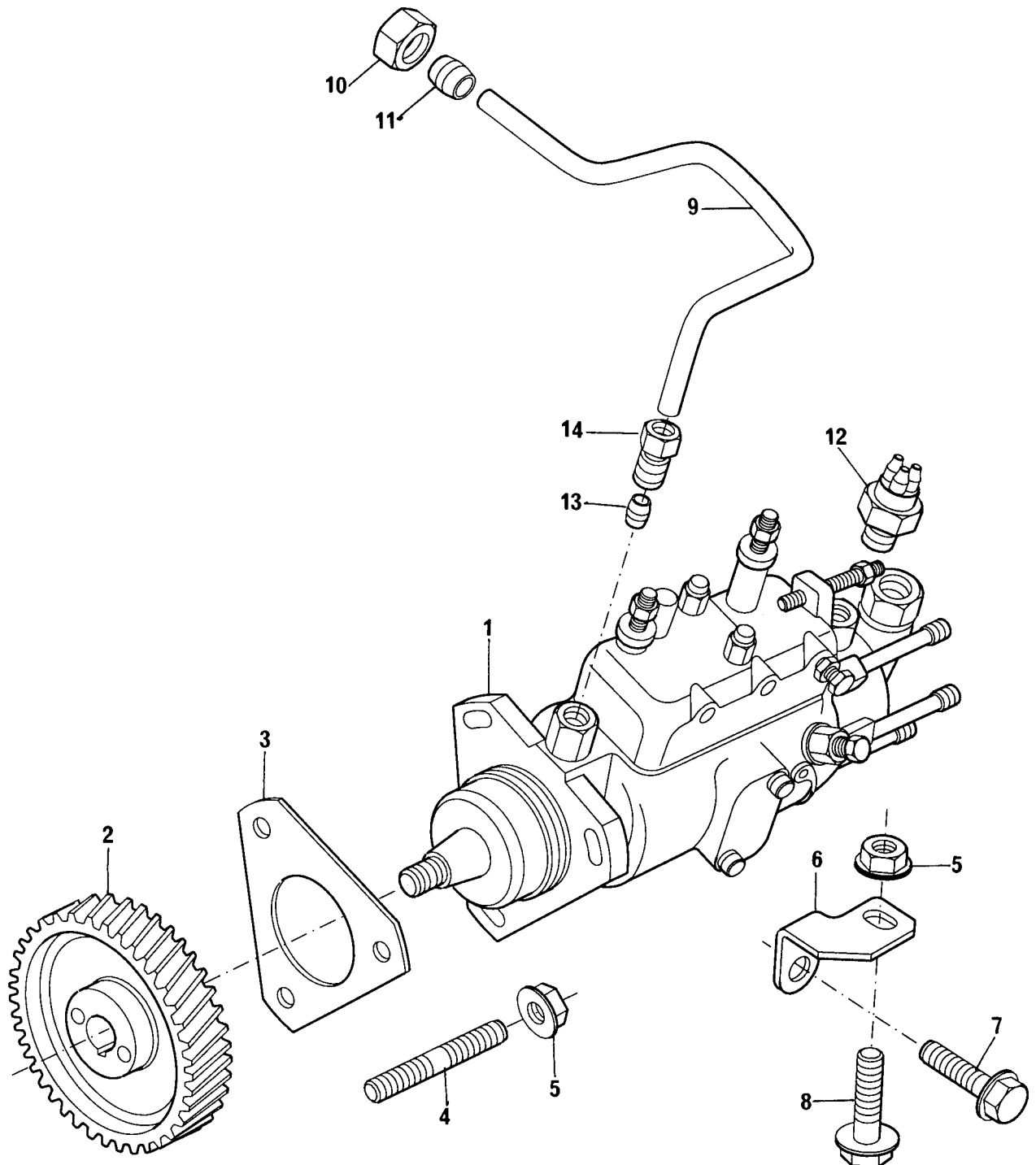
**BOMBA INJETORA DE COMBUSTÍVEL**  
**FUEL INJECTION PUMP**  
**BOMBA DE INYECCIÓN DE COMBUSTIBLE**  
**POMPE D'INJECTION DE COMBUSTIBLE**

**GRUPO**  
**GROUP** 39/204  
**GRUPO**  
**GROUPE**

1	2643D804	1	BOMBA	PUMP	BOMBA	POMPE
2	3117L052	1	ENGRENAGEM	GEAR	ENGRANAJE	PIGNON
3	70490280	1	JUNTA	JOINT	JUNTA	JOINT
4	2313M059	3	PRISIONEIRO	STUD	ESPÁRRAGO	GOUJON
5	2318A603	4	PORCA	NUT	TUERCA	ÉCROU
6	3645E008	1	SUORTE	BRACKET	SOPORTE	SUPPORT
7	2314J002	1	PARAFUSO	BOLT	TORNILLO	VIS
8	2314H003	1	PARAFUSO	BOLT	TORNILLO	VIS
9	4124E041	1	TUBO	PIPE	CAÑO	TUYAUTERIE
10	0576111	1	PORCA	NUT	TUERCA	ÉCROU
11	0566002	1	OLIVA	OLIVE	OLIVA	OLIVE
12	2314H001	1	PARAFUSO	BOLT	TORNILLO	VIS
13	3552A013	1	TUBO	PIPE	CAÑO	TUYAUTERIE
14	33225412	2	PORCA	NUT	TUERCA	ÉCROU
15	2314E007	1	PARAFUSO	BOLT	TORNILLO	VIS
16	2318D205	1	PORCA	NUT	TUERCA	ÉCROU
17	4121C017	1	TUBO	PIPE	CAÑO	TUYAUTERIE
18	33811112	3	OLIVA	OLIVE	OLIVA	OLIVE
19	70200582	1	COTOVELO	ELBOW	CODO	COUDE
20	70600001	2	ALMOFADA	DAMPER	AMORTIGUADOR	AMORTISSEUR
21	36516119	2	PRESILHA	CLIP	SUJETADOR	AGRAFE
22	28730179	1	SOLENOIDE	SOLENOID	SOLENOIDE	SOLENOIDE
23	33811114	1	OLIVA	OLIVE	OLIVA	OLIVE
24	32184422	1	PARAFUSO BANJO	BANJO BOLT	TORNILLO BANJO	VIS BANJO
25	70920117	2	ARRUELA	WASHER	ARANDELA	RONDELLE

BOMBA INJETORA DE COMBUSTÍVEL  
FUEL INJECTION PUMP  
BOMBA DE INYECCIÓN DE COMBUSTIBLE  
POMPE D'INJECTION DE COMBUSTIBLE

GRUPO  
GROUP 39/214  
GRUPO  
GROUPE



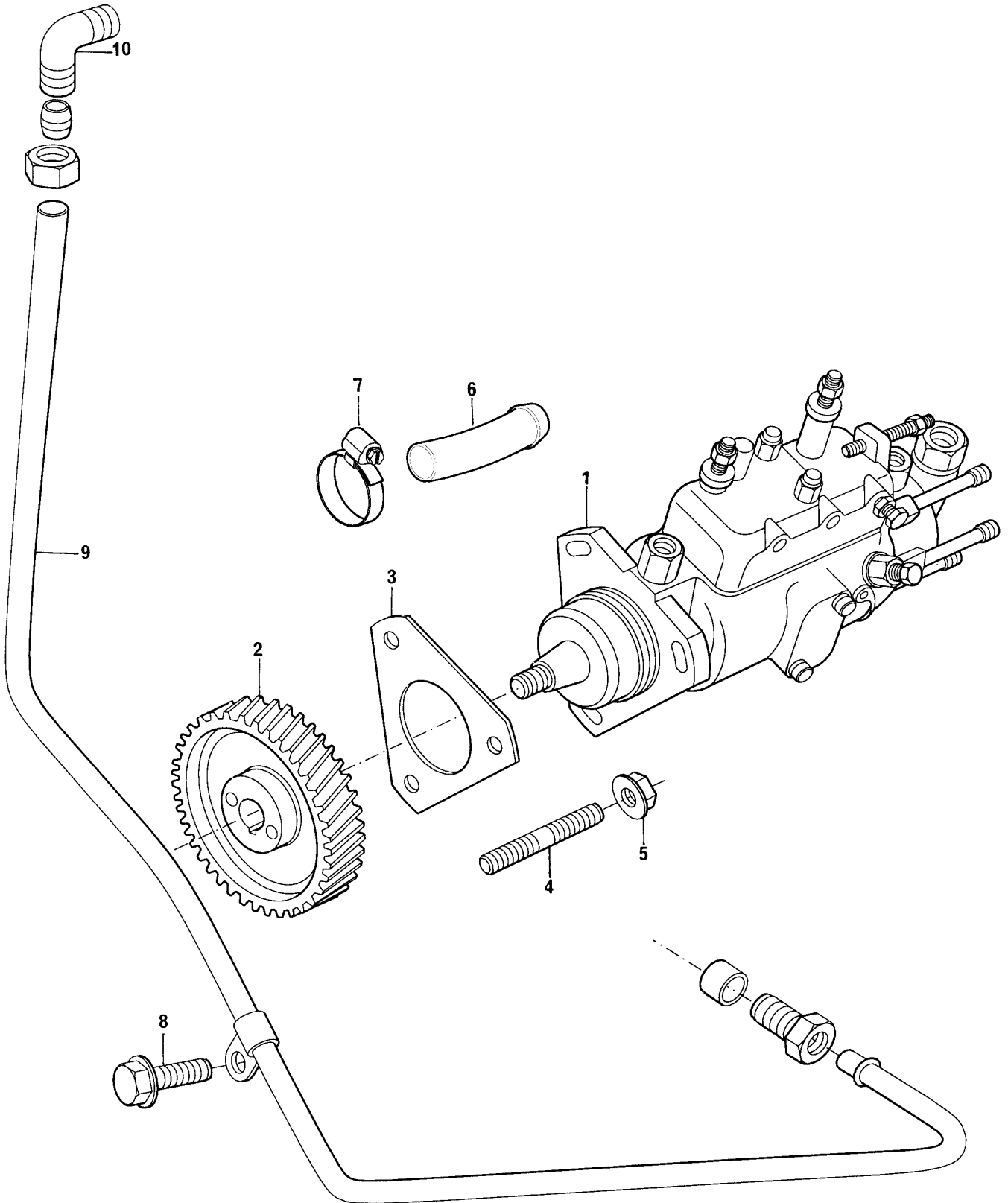
**BOMBA INJETORA DE COMBUSTÍVEL**  
**FUEL INJECTION PUMP**  
**BOMBA DE INYECCIÓN DE COMBUSTIBLE**  
**POMPE D'INJECTION DE COMBUSTIBLE**

**GRUPO**  
**GROUP** 39/214  
**GRUPO**  
**GROUPE**

1	2643D615	1	BOMBA	PUMP	BOMBA	POMPE
2	3117L052	1	ENGRENAGEM	GEAR	ENGRANAJE	PIGNON
3	70490280	1	JUNTA	JOINT	JUNTA	JOINT
4	2313M059	3	PRISIONEIRO	STUD	ESPÁRRAGO	GOUJON
5	2318A603	4	PORCA	NUT	TUERCA	ÉCROU
6	3645E008	1	SUPORTE	BRACKET	SOPORTE	SUPPORT
7	2314J002	1	PARAFUSO	BOLT	TORNILLO	VIS
8	2314H003	1	PARAFUSO	BOLT	TORNILLO	VIS
9	4121C021	1	TUBO	PIPE	CAÑO	TUYAUTERIE
10	33225412	1	PORCA	NUT	TUERCA	ÉCROU
11	33811112	1	OLIVA	OLIVE	OLIVA	OLIVE
12	28730179	1	SOLENOIDE	SOLENOID	SOLENOIDE	SOLENOIDE
13	33811112	9	OLIVA	OLIVE	OLIVA	OLIVE
14	3353D004	9	PORCA	NUT	TUERCA	ÉCROU

BOMBA INJETORA DE COMBUSTÍVEL  
FUEL INJECTION PUMP  
BOMBA DE INYECCIÓN DE COMBUSTIBLE  
POMPE D'INJECTION DE COMBUSTIBLE

GRUPO  
GROUP 39/219  
GRUPO  
GROUPE



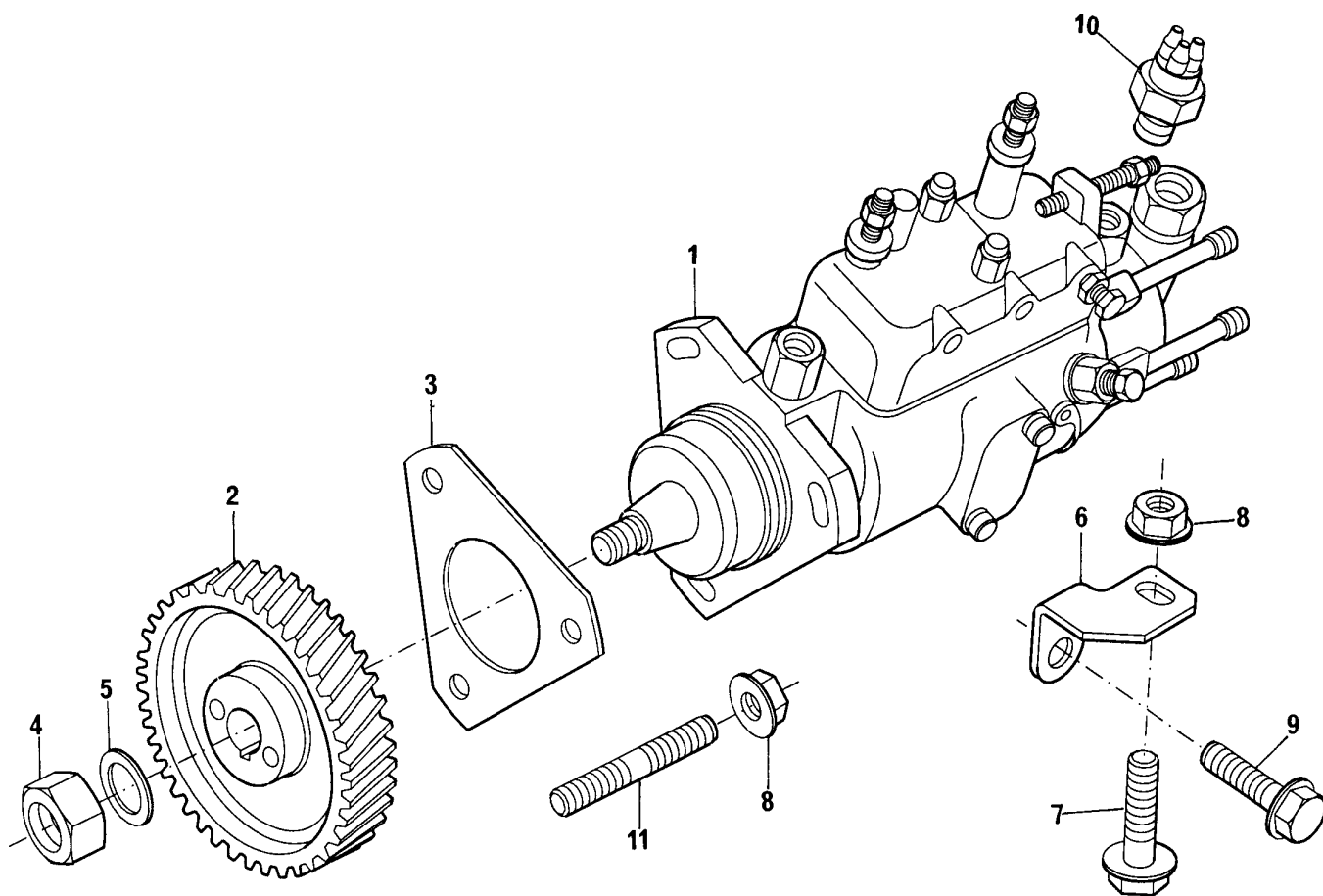
**BOMBA INJETORA DE COMBUSTÍVEL**  
**FUEL INJECTION PUMP**  
**BOMBA DE INYECCIÓN DE COMBUSTIBLE**  
**POMPE D'INJECTION DE COMBUSTIBLE**

**GRUPO**  
**GROUP** 39/219  
**GRUPO**  
**GROUPE**

1	2643U605	1	BOMBA	PUMP	BOMBA	POMPE
2	3117L052	1	ENGRENAGEM	GEAR	ENGRANAJE	PIGNON
3	70490280	1	JUNTA	JOINT	JUNTA	JOINT
4	2313M059	3	PRISIONEIRO	STUD	ESPÁRAGO	GOUJON
5	2318A603	3	PORCA	NUT	TUERCA	ÉCROU
6	3386A004	1	MANGUEIRA	HOSE	MANGUERA	DURITE
7	2481C002	2	PRESILHA	CLIP	SUJETADOR	AGRAFE
8	2314H002	1	PARAFUSO	BOLT	TORNILLO	VIS
9	4126E069	1	TUBO	PIPE	CAÑO	TUYAUTERIE
10	70200582	1	CONEXÃO	CONNECTION	CONEXIÓN	RACCORD

BOMBA INJETORA DE COMBUSTÍVEL  
FUEL INJECTION PUMP  
BOMBA DE INYECCIÓN DE COMBUSTIBLE  
POMPE D'INJECTION DE COMBUSTIBLE

GRUPO  
GROUP 39/264  
GRUPO  
GROUPE



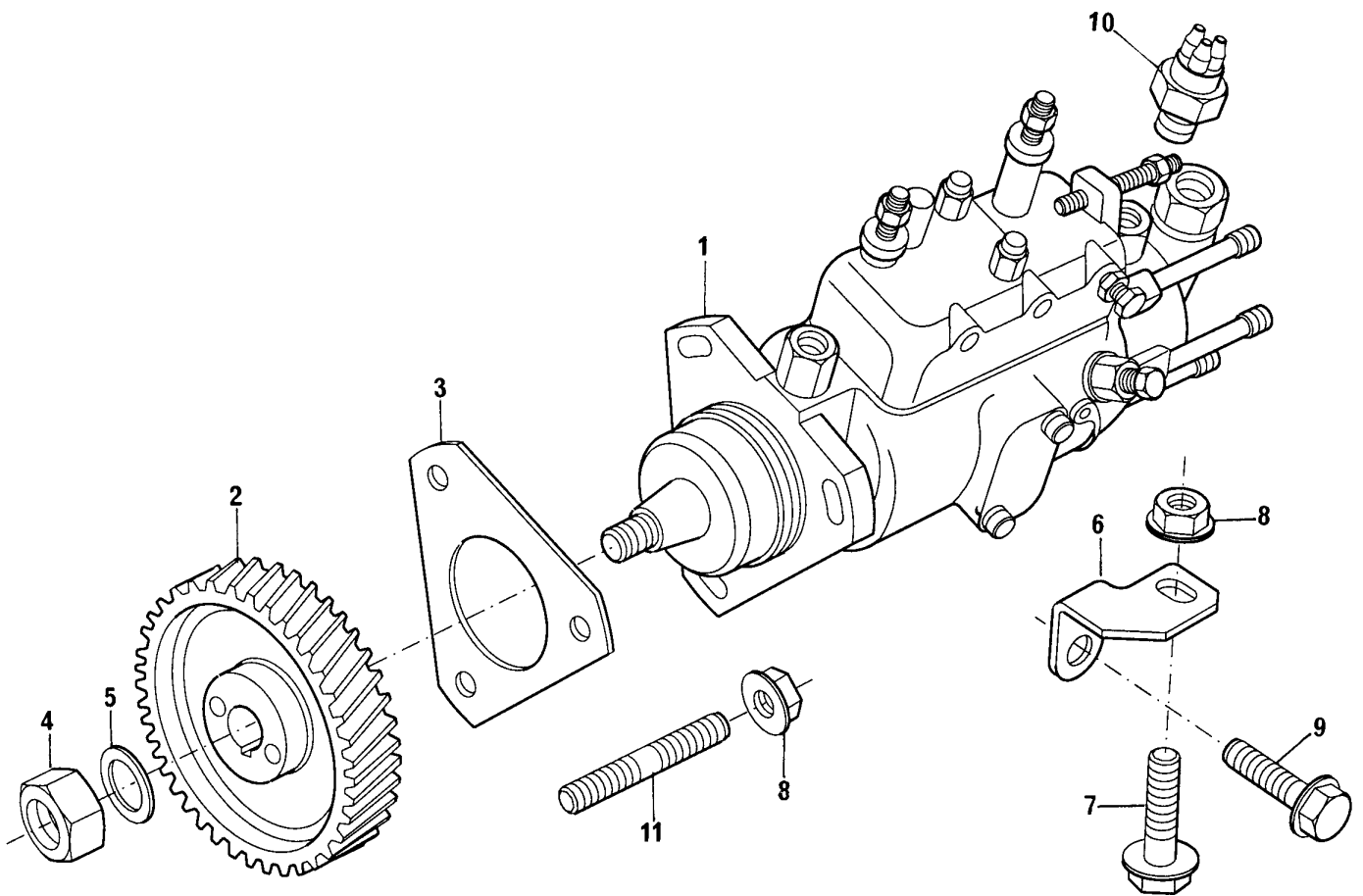
**BOMBA INJETORA DE COMBUSTÍVEL**  
**FUEL INJECTION PUMP**  
**BOMBA DE INYECCIÓN DE COMBUSTIBLE**  
**POMPE D'INJECTION DE COMBUSTIBLE**

**GRUPO**  
**GROUP** 39/264  
**GRUPO**  
**GROUPE**

1	2643M016		1 BOMBA	PUMP	BOMBA	POMPE
2	70410088		1 ENGRENAGEM	GEAR	ENGRANAJE	PIGNON
3	70490280		1 JUNTA	JOINT	JUNTA	JOINT
4	2318A108		1 PORCA	NUT	TUERCA	ÉCROU
5	K134AF01		1 ARRUELA	WASHER	ARANDELA	RONDELLE
6	3645E008		1 SUPORTE	BRACKET	SOPORTE	SUPPORT
7	2314H003	M8X20	1 PARAFUSO	BOLT	TORNILLO	VIS
8	2318A603		4 PORCA	NUT	TUERCA	ÉCROU
9	2314J002	M10X20	1 PARAFUSO	BOLT	TORNILLO	VIS
10	28730179	1	1 SOLENOIDE	SOLENOID	SOLENOIDE	SOLENOIDE
11	2313M059		3 PRISIONEIRO	STUD	ESPÁRRAGO	GOUJON

BOMBA INJETORA DE COMBUSTÍVEL  
FUEL INJECTION PUMP  
BOMBA DE INYECCIÓN DE COMBUSTIBLE  
POMPE D'INJECTION DE COMBUSTIBLE

GRUPO  
GROUP 39/265  
GRUPO  
GROUPE





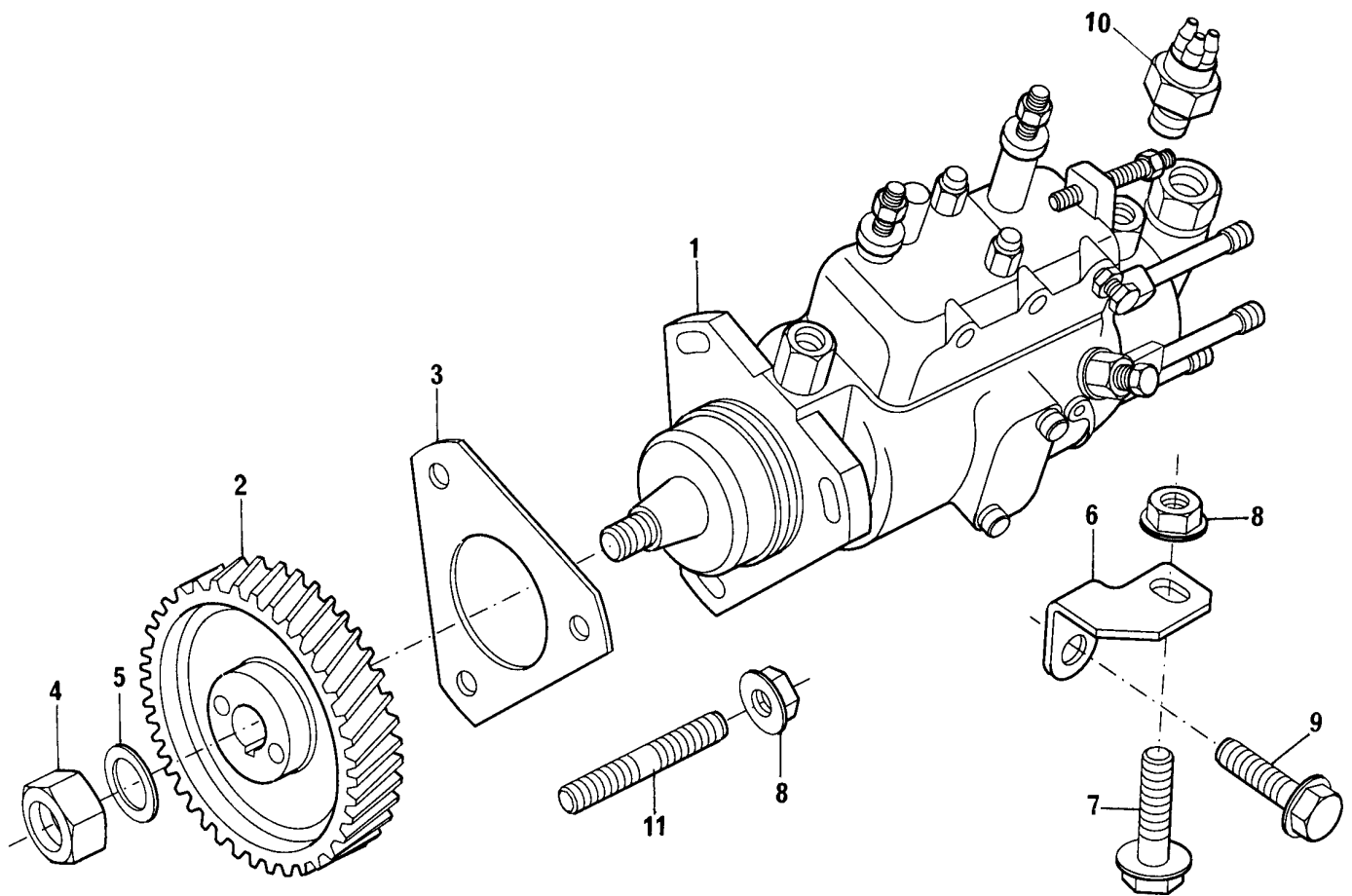
**BOMBA INJETORA DE COMBUSTÍVEL**  
**FUEL INJECTION PUMP**  
**BOMBA DE INYECCIÓN DE COMBUSTIBLE**  
**POMPE D'INJECTION DE COMBUSTIBLE**

**GRUPO**  
**GROUP** 39/265  
**GRUPO**  
**GROUPE**

1	2643D615		1	BOMBA	PUMP	BOMBA	POMPE
2	70410088		1	ENGRENAGEM	GEAR	ENGRANAJE	PIGNON
3	70490280		1	JUNTA	JOINT	JUNTA	JOINT
4	2318A108		1	PORCA	NUT	TUERCA	ÉCROU
5	K134AF01		1	ARRUELA	WASHER	ARANDELA	RONDELLE
6	3645E008		1	SUORTE	BRACKET	SOPORTE	SUPPORT
7	2314H003	M8X20	1	PARAFUSO	BOLT	TORNILLO	VIS
8	2318A603		4	PORCA	NUT	TUERCA	ÉCROU
9	2314J002	M10X20	1	PARAFUSO	BOLT	TORNILLO	VIS
10	28730179	1	1	SOLENOIDE	SOLENOID	SOLENOIDE	SOLENOIDE
11	2313M059		3	PRISIONEIRO	STUD	ESPÁRRAGO	GOUJON

BOMBA INJETORA DE COMBUSTÍVEL  
FUEL INJECTION PUMP  
BOMBA DE INYECCIÓN DE COMBUSTIBLE  
POMPE D'INJECTION DE COMBUSTIBLE

GRUPO  
GROUP 39/268  
GRUPO  
GROUPE



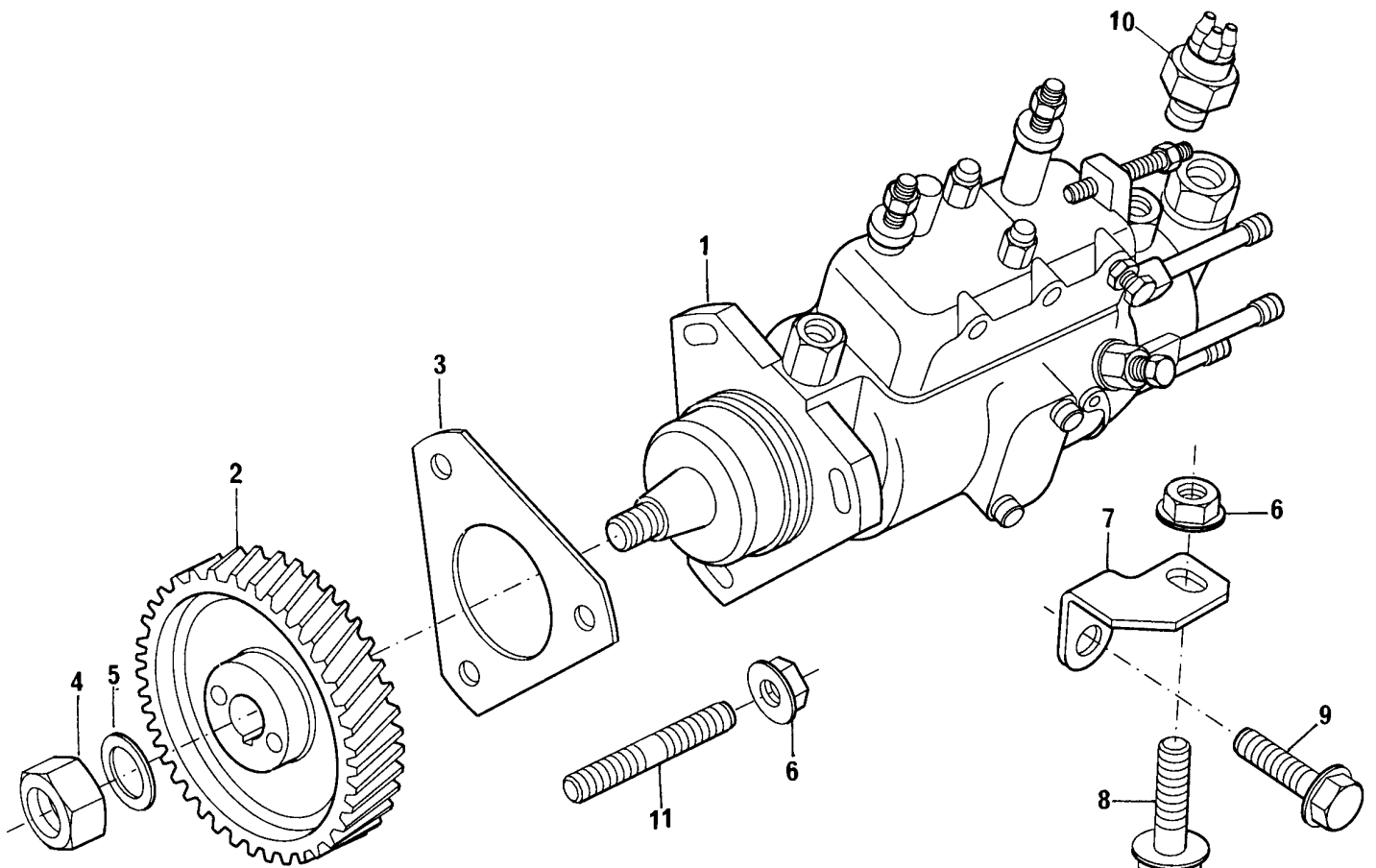
**BOMBA INJETORA DE COMBUSTÍVEL**  
**FUEL INJECTION PUMP**  
**BOMBA DE INYECCIÓN DE COMBUSTIBLE**  
**POMPE D'INJECTION DE COMBUSTIBLE**

**GRUPO**  
**GROUP** 39/268  
**GRUPO**  
**GROUPE**

1	2643D802		1	BOMBA	PUMP	BOMBA	POMPE
2	70410088		1	ENGRENAGEM	GEAR	ENGRANAJE	PIGNON
3	70490280		1	JUNTA	JOINT	JUNTA	JOINT
4	2318A108		1	PORCA	NUT	TUERCA	ÉCROU
5	K134AF01		1	ARRUELA	WASHER	ARANDELA	RONDELLE
6	3645E008		1	SUPORTE	BRACKET	SOPORTE	SUPPORT
7	2314H003	M8X20	1	PARAFUSO	BOLT	TORNILLO	VIS
8	2318A603		4	PORCA	NUT	TUERCA	ÉCROU
9	2314J002	M10X20	1	PARAFUSO	BOLT	TORNILLO	VIS
10	28730179	1	1	SOLENOIDE	SOLENOID	SOLENOIDE	SOLENOIDE
11	2313M059		3	PRISIONEIRO	STUD	ESPÁRRAGO	GOUJON

BOMBA INJETORA DE COMBUSTÍVEL  
FUEL INJECTION PUMP  
BOMBA DE INYECCIÓN DE COMBUSTIBLE  
POMPE D'INJECTION DE COMBUSTIBLE

GRUPO  
GROUP 39/274  
GRUPO  
GROUPE



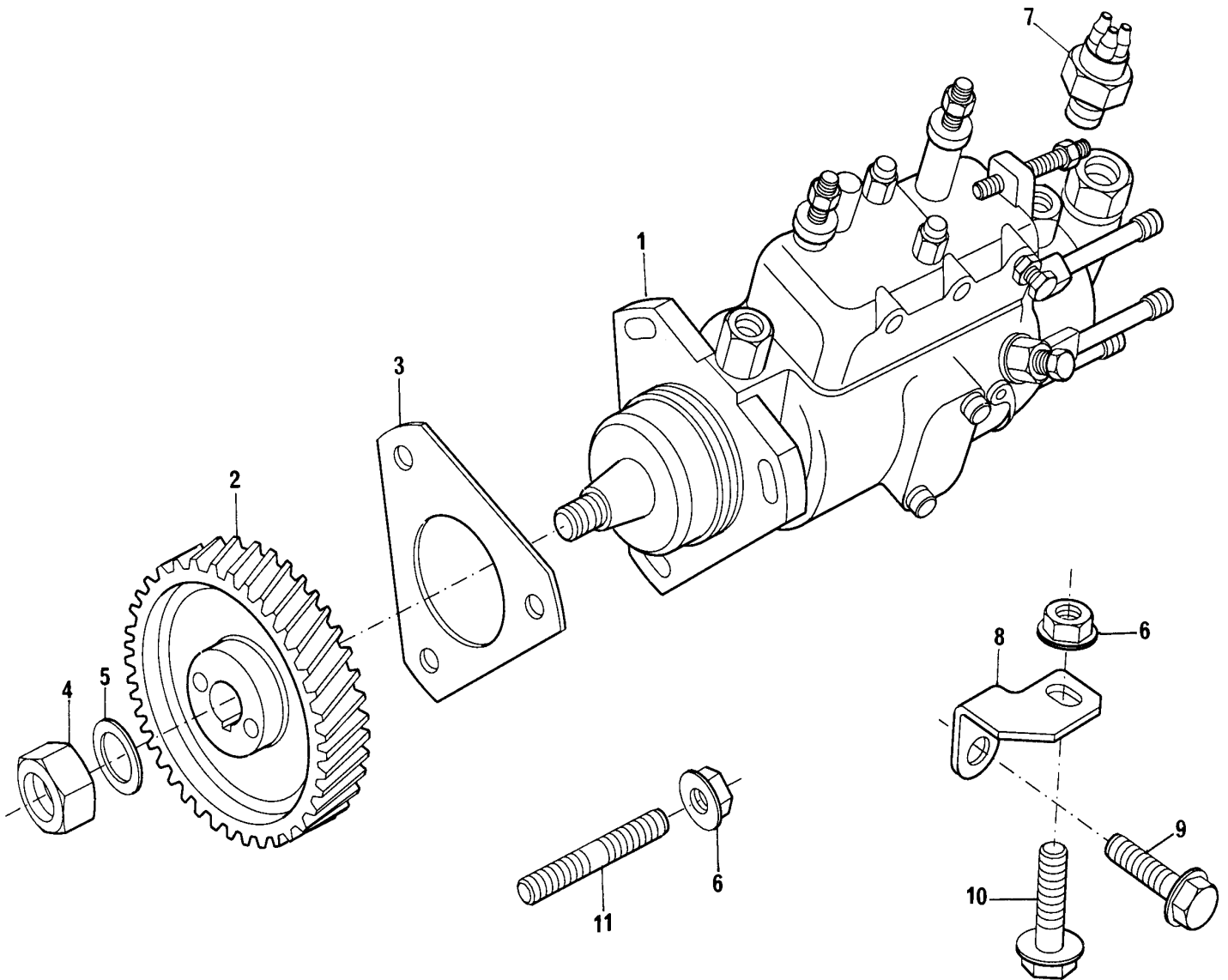
**BOMBA INJETORA DE COMBUSTÍVEL**  
**FUEL INJECTION PUMP**  
**BOMBA DE INYECCIÓN DE COMBUSTIBLE**  
**POMPE D'INJECTION DE COMBUSTIBLE**

**GRUPO**  
**GROUP** 39/274  
**GRUPO**  
**GROUPE**

1	77518		1 BOMBA	PUMP	BOMBA	POMPE
2	70410088		1 ENGRENAGEM	GEAR	ENGRANAJE	PIGNON
3	70490280		1 JUNTA	JOINT	JUNTA	JOINT
4	2318A108		1 PORCA	NUT	TUERCA	ÉCROU
5	K134AF01		1 ARRUELA	WASHER	ARANDELA	RONDELLE
6	2318A603		4 PORCA	NUT	TUERCA	ÉCROU
7	3645E008		1 SUPORTE	BRACKET	SOPORTE	SUPPORT
8	2314H003	M8X20	1 PARAFUSO	BOLT	TORNILLO	VIS
9	2314J002	M10X20	1 PARAFUSO	BOLT	TORNILLO	VIS
10	28730179	1	1 SOLENOIDE	SOLENOID	SOLENOIDE	SOLENOIDE
11	2313M059		3 PRISIONEIRO	STUD	ESPÁRRAGO	GOUJON

BOMBA INJETORA DE COMBUSTÍVEL  
FUEL INJECTION PUMP  
BOMBA DE INYECCIÓN DE COMBUSTIBLE  
POMPE D'INJECTION DE COMBUSTIBLE

GRUPO  
GROUP 39/275  
GRUPO  
GROUPE



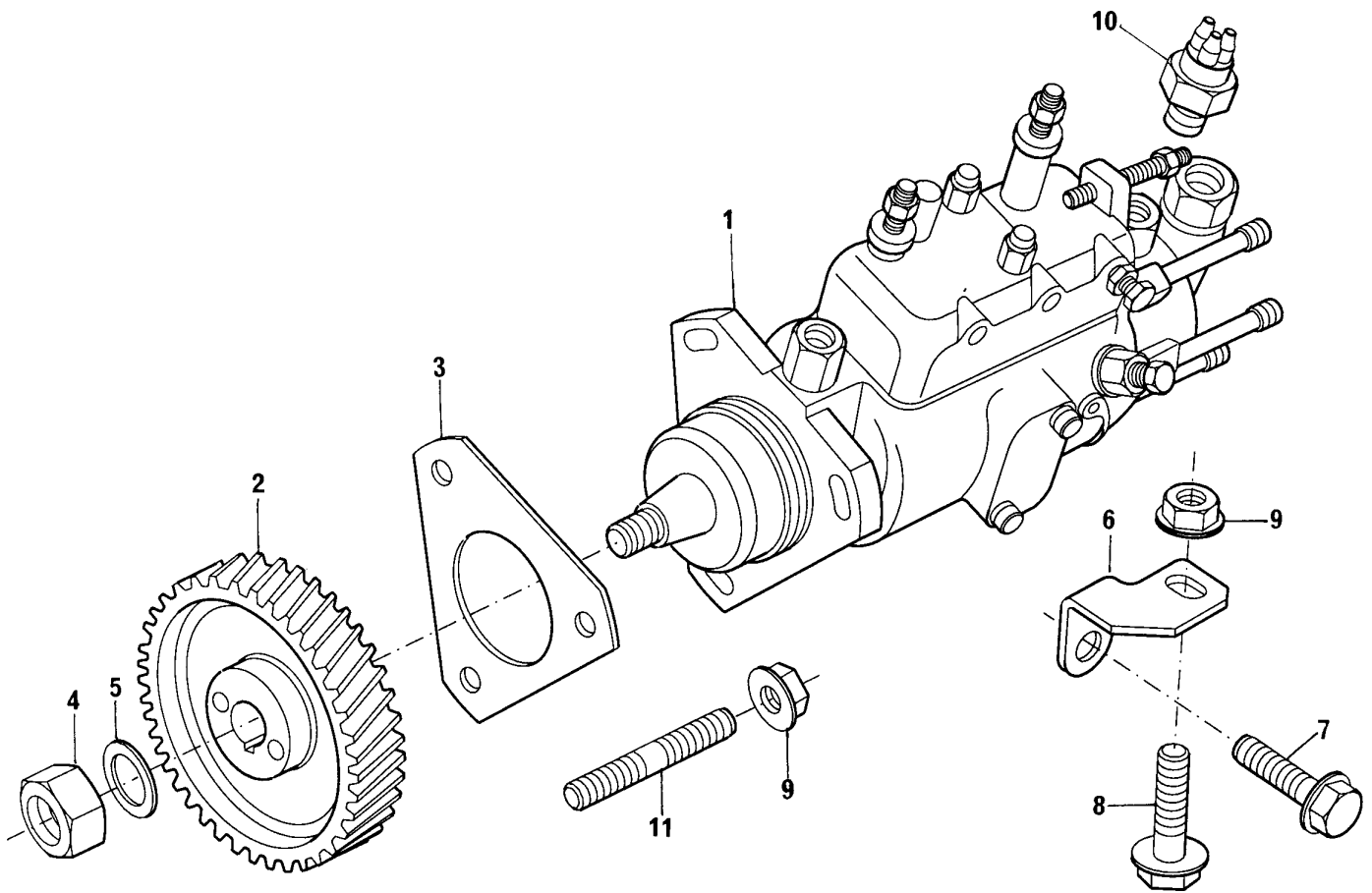
**BOMBA INJETORA DE COMBUSTÍVEL**  
**FUEL INJECTION PUMP**  
**BOMBA DE INYECCIÓN DE COMBUSTIBLE**  
**POMPE D'INJECTION DE COMBUSTIBLE**

**GRUPO**  
**GROUP** 39/275  
**GRUPO**  
**GROUPE**

1	77517	1	BOMBA	PUMP	BOMBA	POMPE
2	70410088	1	ENGRENAGEM	GEAR	ENGRANAJE	PIGNON
3	70490280	1	JUNTA	JOINT	JUNTA	JOINT
4	2318A108	1	PORCA	NUT	TUERCA	ÉCROU
5	K134AF01	1	ARRUELA	WASHER	ARANDELA	RONDELLE
6	2318A603	4	PORCA	NUT	TUERCA	ÉCROU
7	28730179	1	SOLENOIDE	SOLENOID	SOLENOIDE	SOLENOIDE
8	3645E008	1	SUPORTE	BRACKET	SOPORTE	SUPPORT
9	2314J002	1	PARAFUSO	BOLT	TORNILLO	VIS
10	2314H003	1	PARAFUSO	BOLT	TORNILLO	VIS
11	2313M059	3	PRISIONEIRO	STUD	ESPÁRRAGO	GOUJON

BOMBA INJETORA DE COMBUSTÍVEL  
FUEL INJECTION PUMP  
BOMBA DE INYECCIÓN DE COMBUSTIBLE  
POMPE D'INJECTION DE COMBUSTIBLE

GRUPO  
GROUP 39/276  
GRUPO  
GROUPE





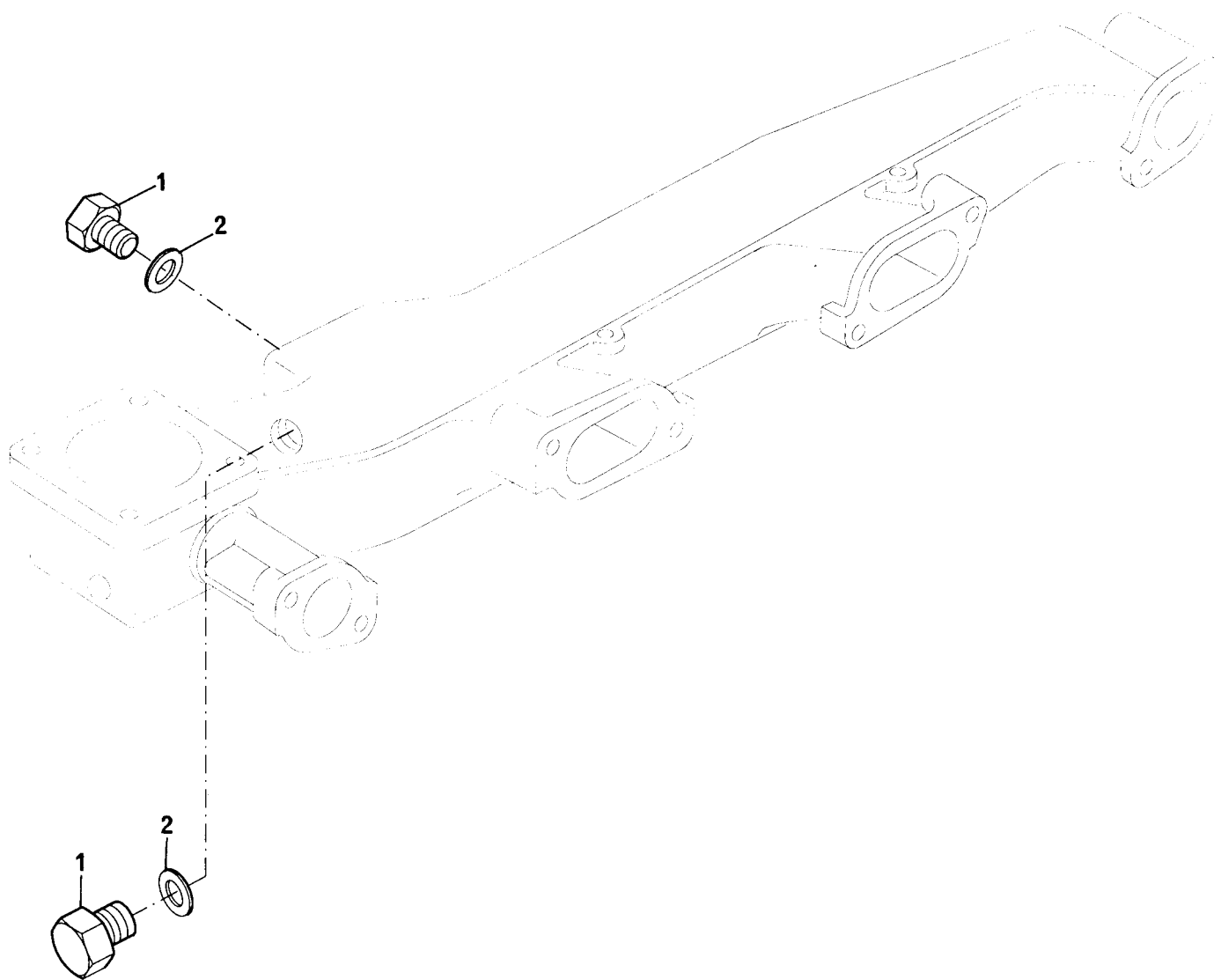
**BOMBA INJETORA DE COMBUSTÍVEL**  
**FUEL INJECTION PUMP**  
**BOMBA DE INYECCIÓN DE COMBUSTIBLE**  
**POMPE D'INJECTION DE COMBUSTIBLE**

**GRUPO**  
**GROUP** 39/276  
**GRUPO**  
**GROUPE**

1	77519		1 BOMBA	PUMP	BOMBA	POMPE
2	70410088		1 ENGRENAGEM	GEAR	ENGRANAJE	PIGNON
3	70490280		1 JUNTA	JOINT	JUNTA	JOINT
4	2318A108		1 PORCA	NUT	TUERCA	ÉCROU
5	K134AF01		1 ARRUELA	WASHER	ARANDELA	RONDELLE
6	3645E008		1 SUPORTE	BRACKET	SOPORTE	SUPPORT
7	2314J002	M10X20	1 PARAFUSO	BOLT	TORNILLO	VIS
8	2314H003	M8X20	1 PARAFUSO	BOLT	TORNILLO	VIS
9	2318A603		4 PORCA	NUT	TUERCA	ÉCROU
10	28730179	1	1 SOLENOIDE	SOLENOID	SOLENOIDE	SOLENOIDE
11	2313M059		3 PRISIONEIRO	STUD	ESPÁRRAGO	GOUJON

SISTEMA AUXILIAR DE PARTIDA A FRIO  
COLD WEATHER STARTING AID  
SISTEMA AUXILIAR DE TERMOARRANQUE  
SYSTEME DE DÉMARRAGE PAR TEMPS FROID

GRUPO 40/114  
GROUP 40/119  
GRUPO 40/126  
GROUPE



**SISTEMA AUXILIAR DE PARTIDA A FRIO**  
**COLD WEATHER STARTING AID**  
**SISTEMA AUXILIAR DE TERMOARRANQUE**  
**SYSTEME DE DÉMARRAGE PAR TEMPS FROID**

**GRUPO**                   **40/114**  
**GROUP**                   **40/119**  
**GRUPO**                   **40/126**  
**GROUPE**

1 80650722  
2 70920065

2 BUJÃO  
2 ARRUELA

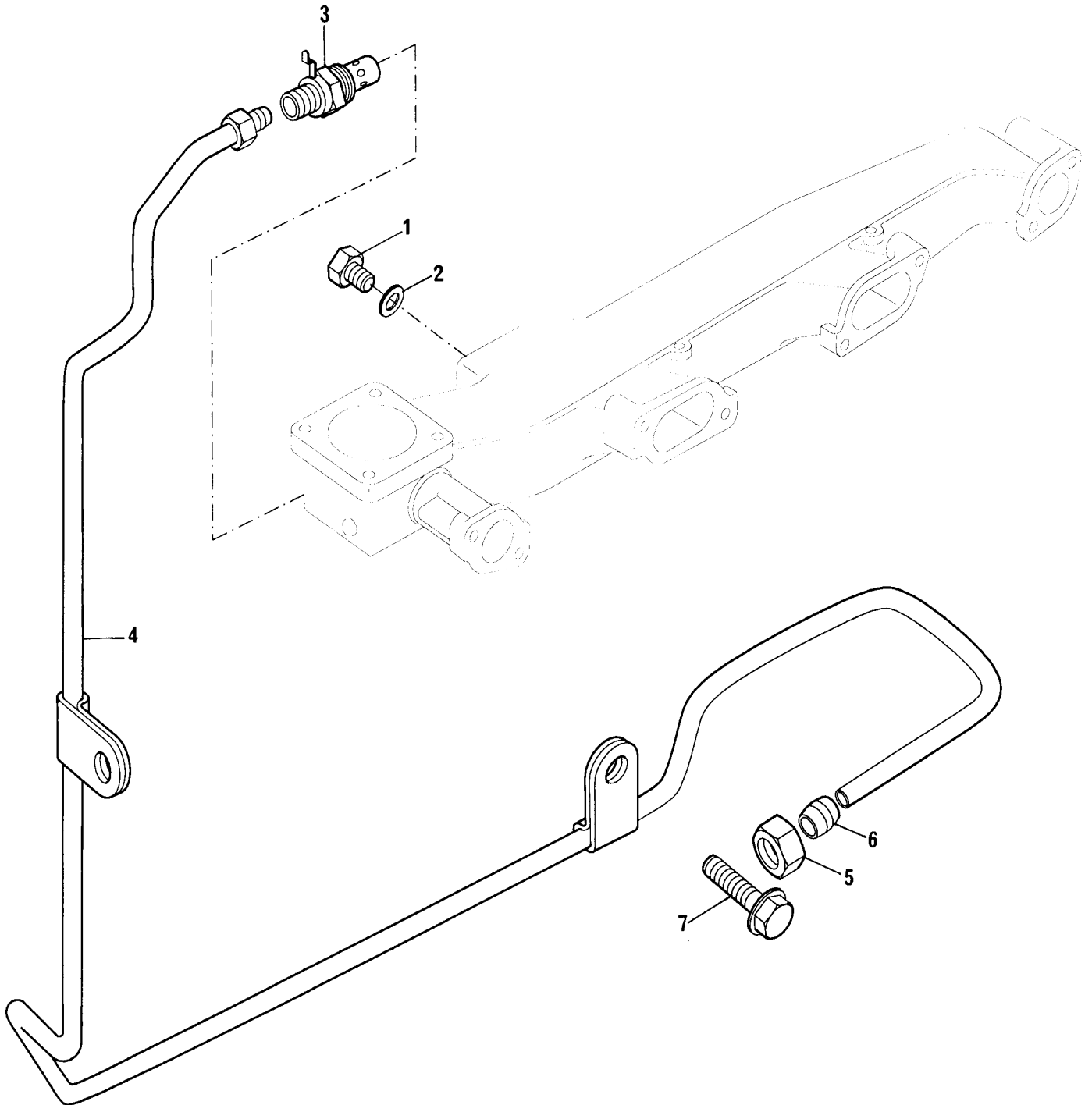
PLUG  
WASHER

TAPÓN  
ARANDELA

BOUCHON  
RONDELLE

SISTEMA AUXILIAR DE PARTIDA A FRIO  
COLD WEATHER STARTING AID  
SISTEMA AUXILIAR DE TERMOARRANQUE  
SYSTEME DE DÈMARRAGE PAR TEMPS FROID

GRUPO  
GROUP 40/125  
GRUPO  
GROUPE



**SISTEMA AUXILIAR DE PARTIDA A FRIO**  
**COLD WEATHER STARTING AID**  
**SISTEMA AUXILIAR DE TERMOARRANQUE**  
**SYSTEME DE DÈMARRAGE PAR TEMPS FROID**

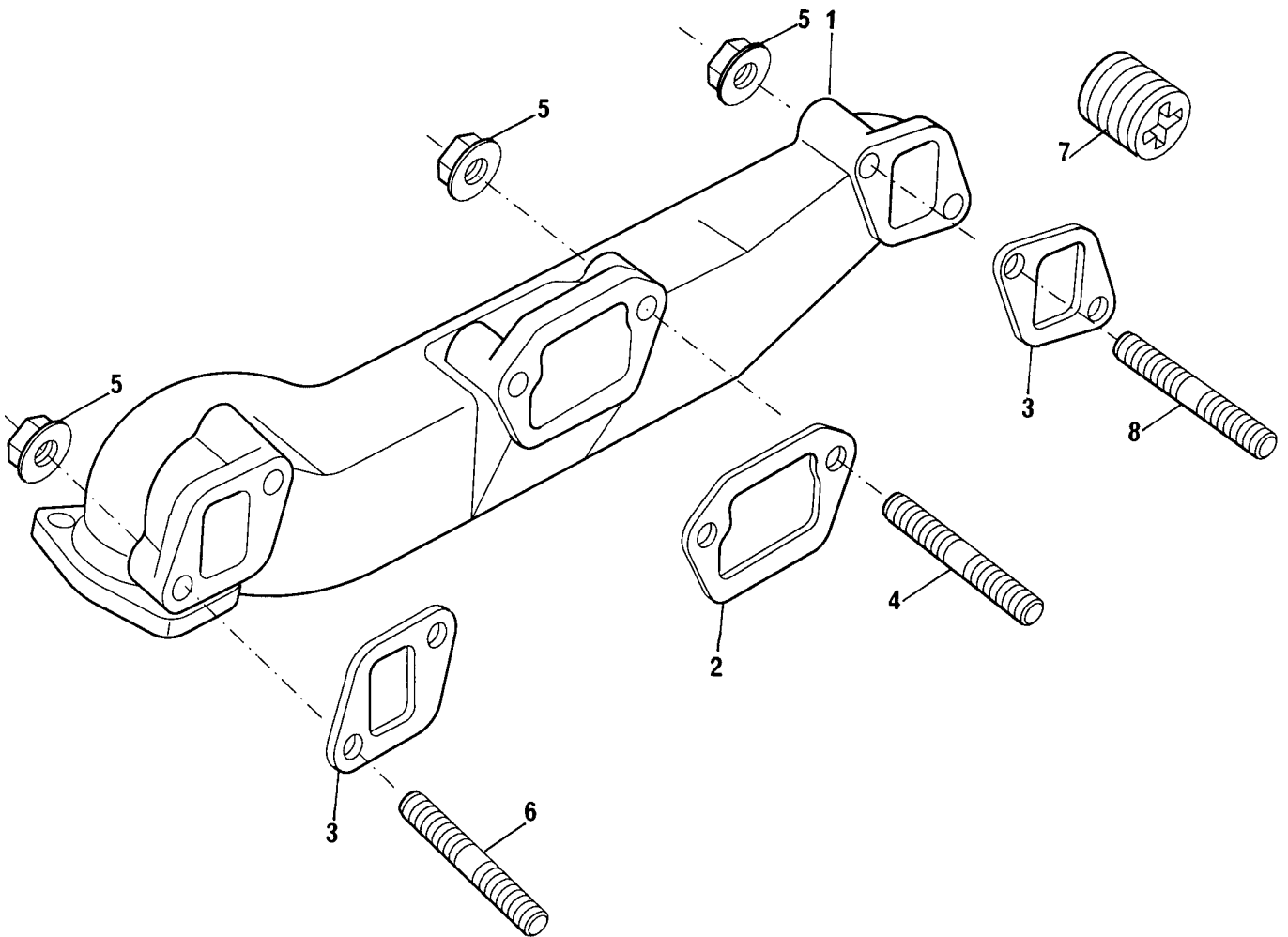
**GRUPO**  
**GROUP** 40/125  
**GRUPO**  
**GROUPE**

1	80650722		1	BUJÃO	PLUG	TAPÓN	BOUCHON
2	70920065		2	ARRUELA	WASHER	ARANDELA	RONDELLE
3	2666103		1	ELEM. AQUECEDOR	HEATER	CALENTADOR	CHAUFFAGE
4	4124E112		1	TUBO	PIPE	CAÑO	TUYAUTERIE
5	33225412		1	PORCA	NUT	TUERCA	ÉCROU
6	33811112		1	OLIVA	OLIVE	OLIVA	OLIVE
7	2314H102	M8X12	1	PARAFUSO	BOLT	TORNILLO	VIS

COLETOR DE ESCAPE  
EXHAUST MANIFOLD  
MÚLTIPLE DE ESCAPE  
COLLECTEUR D'ÉCHAPPEMENT

GRUPO  
GROUP  
GRUPO  
GROUPE

41/60



**COLETOR DE ESCAPE  
EXHAUST MANIFOLD  
MÚLTIPLE DE ESCAPE  
COLLECTEUR D'ÉCHAPPEMENT**

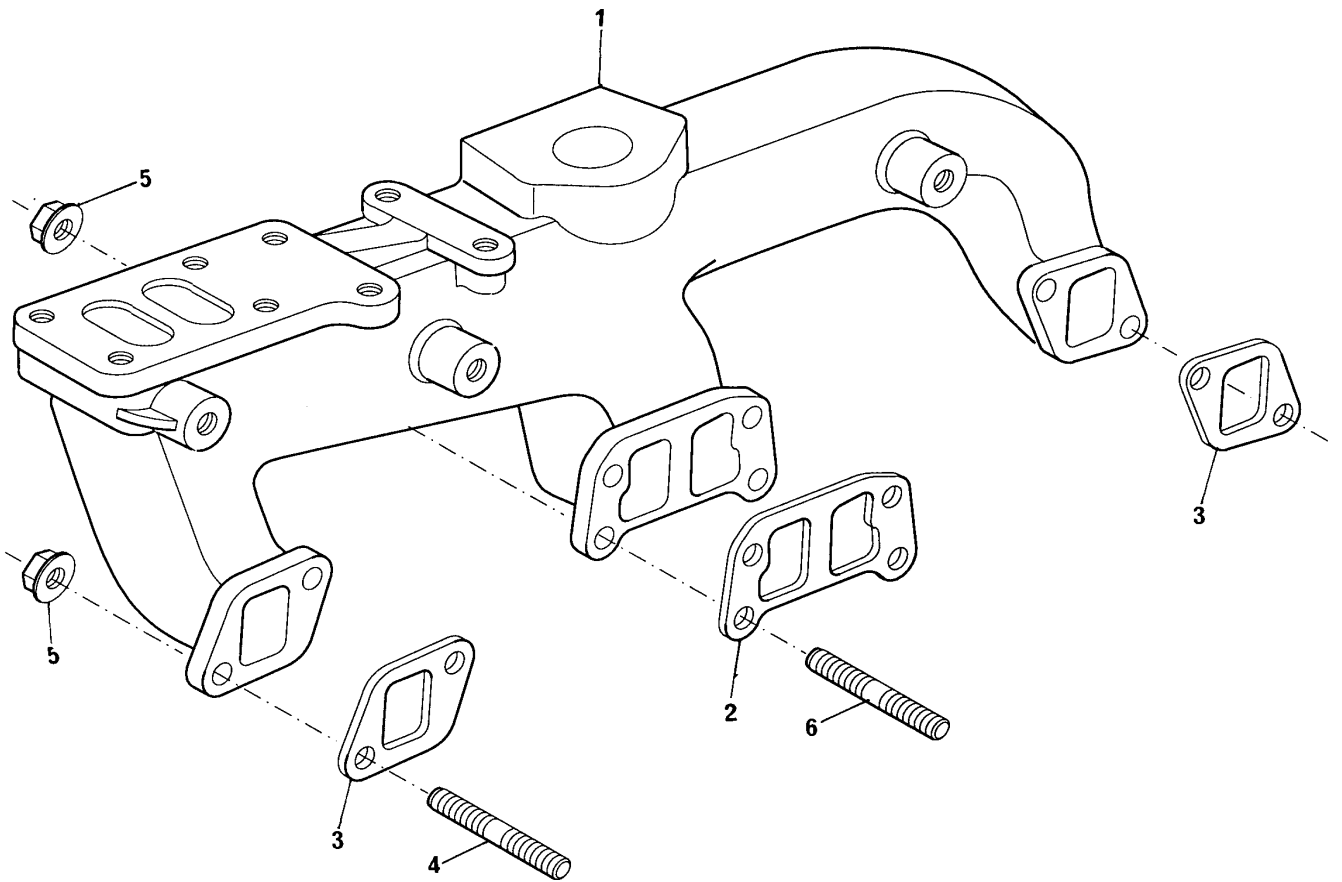
**GRUPO  
GROUP  
GRUPO  
GROUPE** **41/60**

1	37775233	1	COLETOR ESCAPE	MANIFOLD	MÚLTIPLE	COLLECTEUR
2	3688C017	1	JUNTA	JOINT	JUNTA	JOINT
3	36862191	2	JUNTA	JOINT	JUNTA	JOINT
4	2313M087	4	PRISIONEIRO	STUD	ESPÁRRAGO	GOUJON
5	2318A634	6	PORCA	NUT	TUERCA	ÉCROU
6	2313M083	2	PRISIONEIRO	STUD	ESPÁRRAGO	GOUJON
7	3212P002	2	BUJÃO	PLUG	TAPÓN	BOUCHON
8	2313M081	2	PRISIONEIRO	STUD	ESPÁRRAGO	GOUJON

COLETOR DE ESCAPE  
EXHAUST MANIFOLD  
MÚLTIPLE DE ESCAPE  
COLLECTEUR D'ÉCHAPPEMENT

GRUPO  
GROUP  
GRUPO  
GROUPE

41/61





**COLETOR DE ESCAPE  
EXHAUST MANIFOLD  
MÚLTIPLE DE ESCAPE  
COLLECTEUR D'ÉCHAPPEMENT**

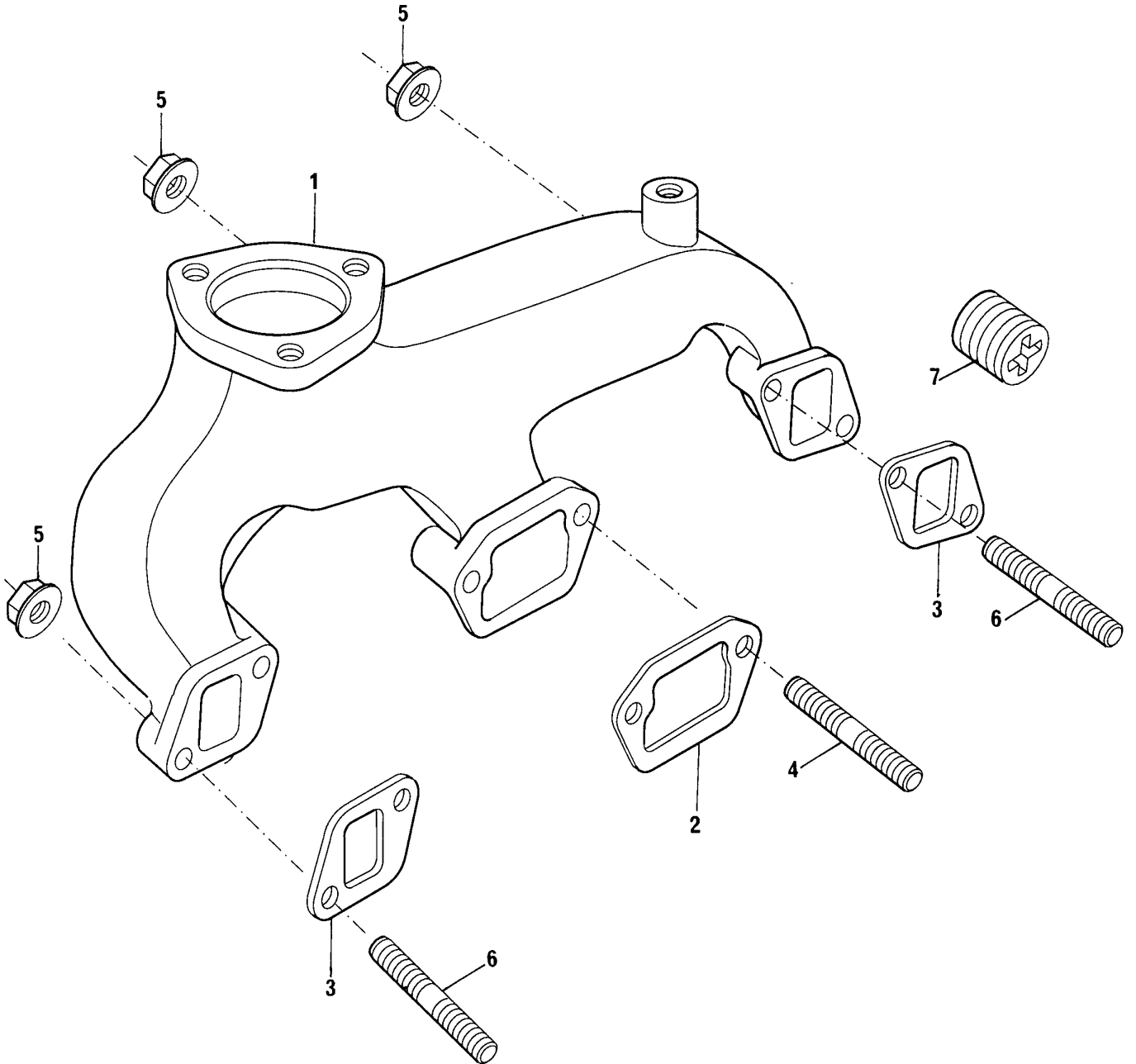
**GRUPO  
GROUP  
GRUPO  
GROUPE** **41/61**

1	3778M021		1	COLETOR ESCAPE	MANIFOLD	MÚLTIPLE	COLLECTEUR
2	3688C017		1	JUNTA	JOINT	JUNTA	JOINT
3	36862191		2	JUNTA	JOINT	JUNTA	JOINT
4	2313M087	M10X75	4	PRISIONEIRO	STUD	ESPÁRRAGO	GOUJON
5	2318A634		8	PORCA	NUT	TUERCA	ÉCROU
6	2313M083	M10X55	4	PRISIONEIRO	STUD	ESPÁRRAGO	GOUJON

COLETOR DE ESCAPE  
EXHAUST MANIFOLD  
MÚLTIPLE DE ESCAPE  
COLLECTEUR D'ÉCHAPPEMENT

GRUPO  
GROUP  
GRUPO  
GROUPE

41/79



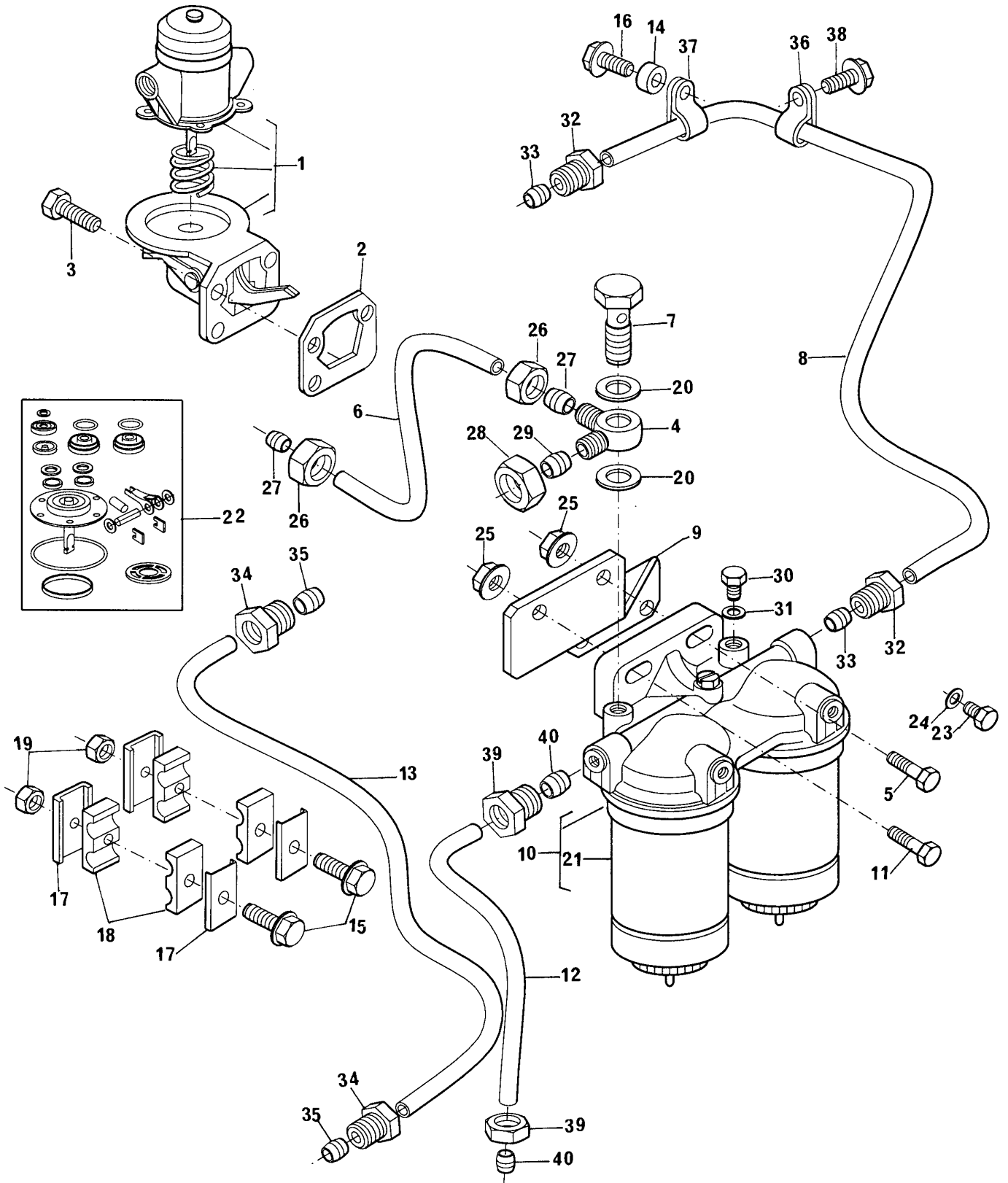
**COLETOR DE ESCAPE  
EXHAUST MANIFOLD  
MÚLTIPLE DE ESCAPE  
COLLECTEUR D'ÉCHAPPEMENT**

**GRUPO  
GROUP  
GRUPO  
GROUPE** 41/79

1	37775236		1	COLETOR ESCAPE	MANIFOLD	MÚLTIPLE	COLLECTEUR
2	3688C017		1	JUNTA	JOINT	JUNTA	JOINT
3	36862191		2	JUNTA	JOINT	JUNTA	JOINT
4	2313M087	M10X75	4	PRISIONEIRO	STUD	ESPÁRRAGO	GOUJON
5	2318A634		6	PORCA	NUT	TUERCA	ÉCROU
6	2313M083	M10X55	2	PRISIONEIRO	STUD	ESPÁRRAGO	GOUJON
7	3212P002		2	BUJÃO	PLUG	TAPÓN	BOUCHON

**BOMBA ALIMENTADORA DE COMBUSTÍVEL**  
**FUEL OIL LIFT PUMP**  
**BOMBA DE ALIMENTACIÓN DE COMBUSTIBLE**  
**POMPE D'ALIMENTATION DE COMBUSTIBLE**

**GRUPO**  
**GROUP** 42/212  
**GRUPO**  
**GROUPE**



**BOMBA ALIMENTADORA DE COMBUSTÍVEL**  
**FUEL OIL LIFT PUMP**  
**BOMBA DE ALIMENTACIÓN DE COMBUSTIBLE**  
**POMPE D'ALIMENTATION DE COMBUSTIBLE**

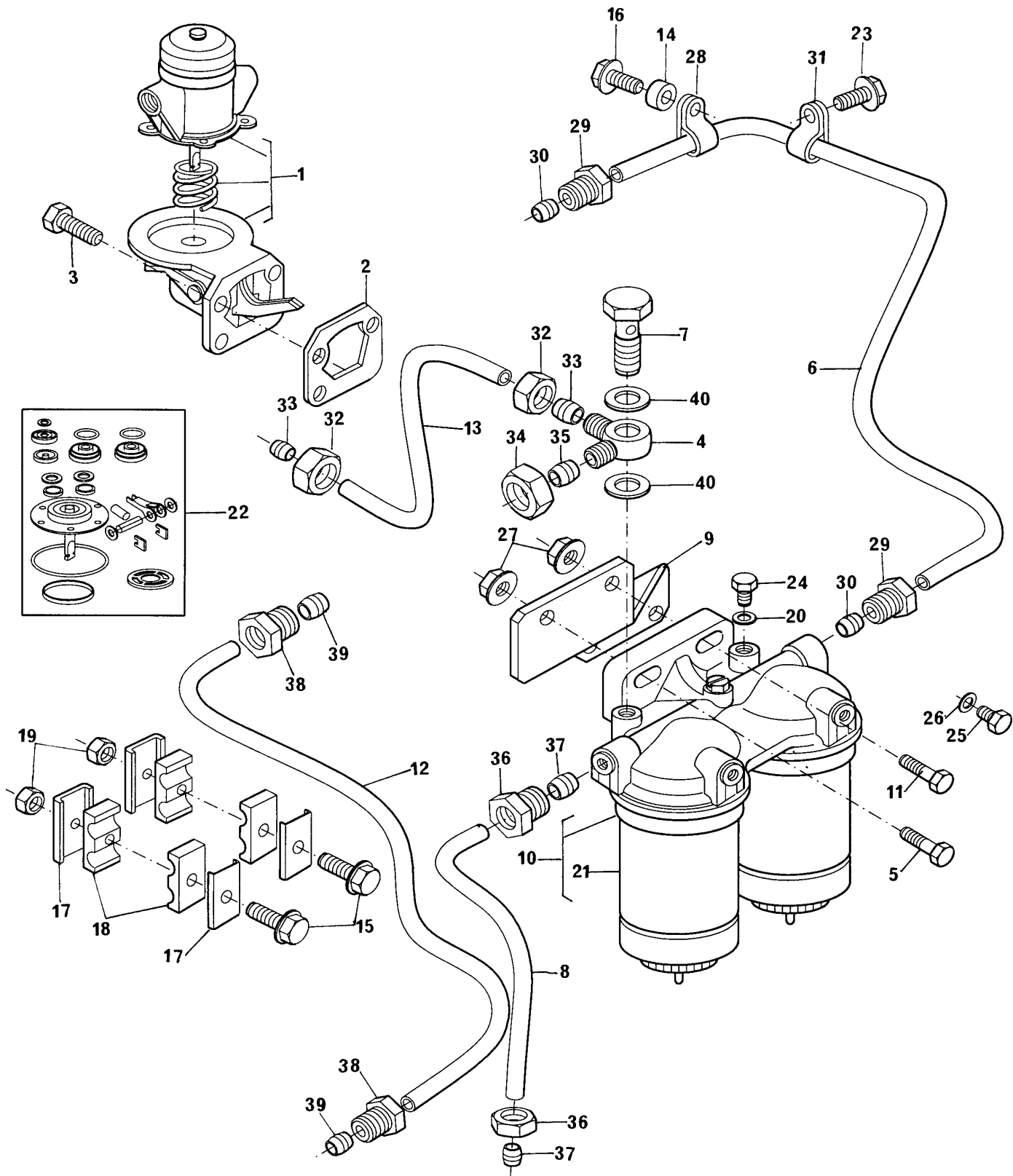
**GRUPO**  
**GROUP** 42/212  
**GRUPO**  
**GROUPE**

1	2641A070		1 BOMBA ALIMENTADORA	LIFT PUMP	BOMBA	POMPE
2	36856104		1 JUNTA	JOINT	JUNTA	JOINT
3	2314H005		4 PARAFUSO	BOLT	TORNILLO	VIS
4	0201397		1 CONEXÃO	CONNECTION	CONEXIÓN	RACCORD
5	2314J002		2 PARAFUSO	BOLT	TORNILLO	VIS
6	3425M006		1 TUBO	PIPE	CAÑO	TUYAUTERIE
7	0095344		1 PARAFUSO	BOLT	TORNILLO	VIS
8	4125T005		1 TUBO	PIPE	CAÑO	TUYAUTERIE
9	3818D013		1 SUPORTE	BRACKET	SOPORTE	SUPPORT
10	2656F702		1 FILTRO	FILTER	FILTRO	FILTRE
11	2314J006		2 PARAFUSO	BOLT	TORNILLO	VIS
12	4122P005		1 TUBO	PIPE	CAÑO	TUYAUTERIE
13	4122P012		1 TUBO	PIPE	CAÑO	TUYAUTERIE
14	33135413		1 ESPAÇADOR	SPACER	ESPAZIADOR	ENTRETOISE
15	2314E007		2 PARAFUSO	BOLT	TORNILLO	VIS
16	2314H005		1 PARAFUSO	BOLT	TORNILLO	VIS
17	36516119		4 PRESILHA	CLIP	SUJETADOR	AGRAFE
18	70600001		4 ALMOFADA	DAMPER	AMORTIGUADOR	AMORTISSEUR
19	2318D205		2 PORCA	NUT	TUERCA	ÉCROU
20	70920120		2 ARRUELA	WASHER	ARANDELA	RONDELLE
21	6354129	10	2 ELEMENTO	ELEMENT	ELEMENTO	ÉLÉMENT
22	26410149	1	1 JOGO DE REPARO	REPAIR KIT	JUEGO REPARACIÓN	JEU REPARATION
23	32184226		2 BUJÃO	PLUG	TAPÓN	BOUCHON
24	70920135		2 ARRUELA	WASHER	ARANDELA	RONDELLE
25	2318A604		2 PORCA	NUT	TUERCA	ÉCROU
26	33225412		2 PORCA	NUT	TUERCA	ÉCROU
27	33811112		2 OLIVA	OLIVE	OLIVA	OLIVE
28	0576112		1 PORCA	NUT	TUERCA	ÉCROU
29	0566003		1 OLIVA	OLIVE	OLIVA	OLIVE
30	0650204		1 BUJÃO	PLUG	TAPÓN	BOUCHON
31	70920133		1 ARRUELA	WASHER	ARANDELA	RONDELLE
32	33532129	8	2 PORCA	NUT	TUERCA	ÉCROU
33	33811114	8	2 OLIVA	OLIVE	OLIVA	OLIVE
34	33532129	13	2 PORCA	NUT	TUERCA	ÉCROU
35	33811114	13	2 OLIVA	OLIVE	OLIVA	OLIVE
36	36568138	8	1 PRESILHA	CLIP	SUJETADOR	AGRAFE
37	33568153	8	1 PRESILHA	CLIP	SUJETADOR	AGRAFE
38	2314H003		1 PARAFUSO	BOLT	TORNILLO	VIS
39	33532129	12	2 PORCA	NUT	TUERCA	ÉCROU
40	33811114	12	2 OLIVA	OLIVE	OLIVA	OLIVE

**BOMBA ALIMENTADORA DE COMBUSTÍVEL**  
**FUEL OIL LIFT PUMP**  
**BOMBA DE ALIMENTACIÓN DE COMBUSTIBLE**  
**POMPE D'ALIMENTATION DE COMBUSTIBLE**

**GRUPO**  
**GROUP**  
**GRUPO**  
**GROUPE**

42/214



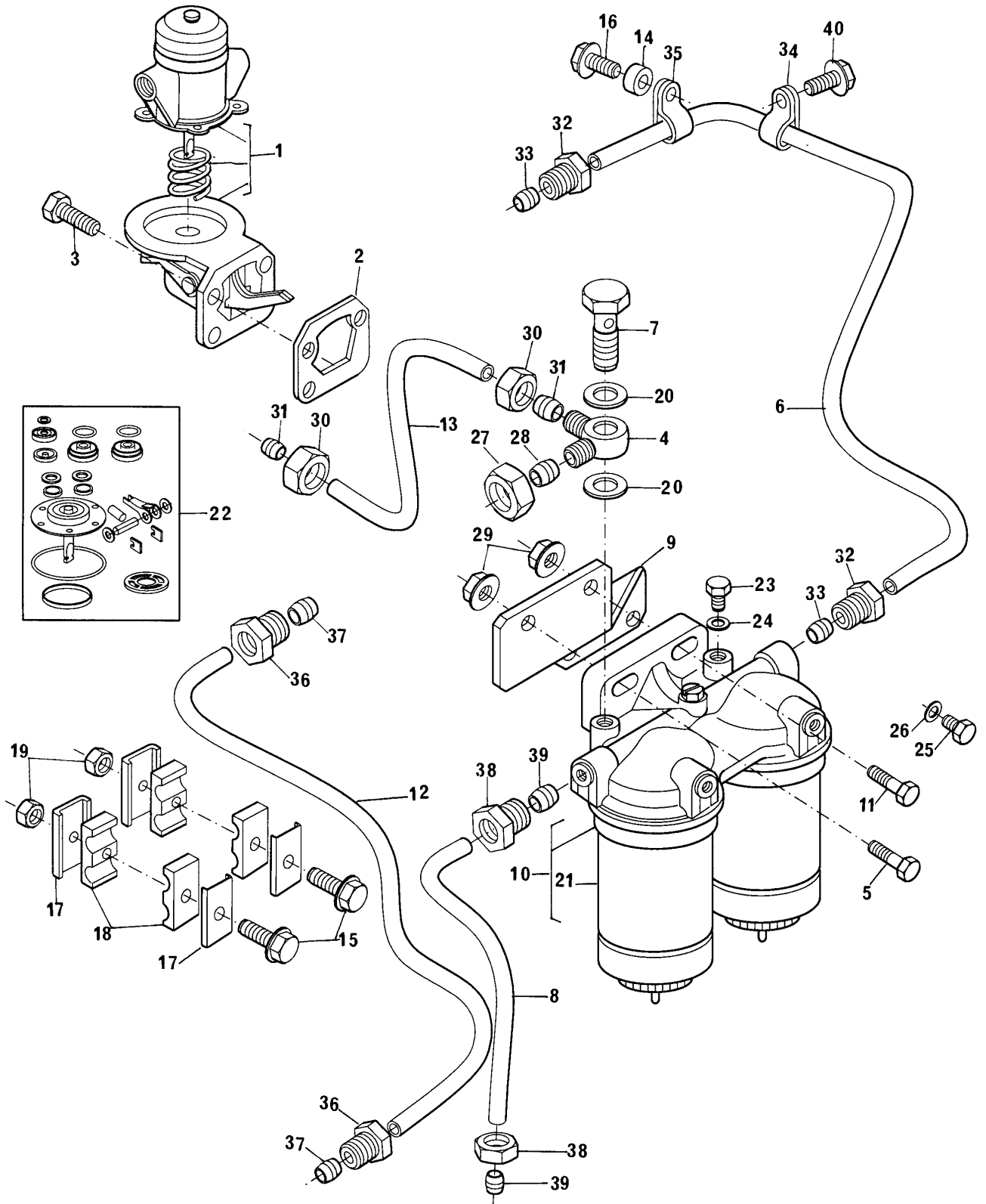
**BOMBA ALIMENTADORA DE COMBUSTÍVEL**  
**FUEL OIL LIFT PUMP**  
**BOMBA DE ALIMENTACIÓN DE COMBUSTIBLE**  
**POMPE D'ALIMENTATION DE COMBUSTIBLE**

**GRUPO**  
**GROUP** 42/214  
**GRUPO**  
**GROUPE**

1	2641A070		1 BOMBA ALIMENTADORA	LIFT PUMP	BOMBA	POMPE
2	36856104		1 JUNTA	JOINT	JUNTA	JOINT
3	2314H005		4 PARAFUSO	BOLT	TORNILLO	VIS
4	0201397		1 CONEXÃO	CONNECTION	CONEXIÓN	RACCORD
5	2314J006		2 PARAFUSO	BOLT	TORNILLO	VIS
6	4125T005		1 TUBO	PIPE	CAÑO	TUYAUTERIE
7	0095344		1 PARAFUSO	BOLT	TORNILLO	VIS
8	4122P016		1 TUBO	PIPE	CAÑO	TUYAUTERIE
9	3818D013		1 SUPORTE	BRACKET	SOPORTE	SUPPORT
10	2656F702		1 FILTRO	FILTER	FILTRO	FILTRE
11	2314J002		2 PARAFUSO	BOLT	TORNILLO	VIS
12	4122T006		1 TUBO	PIPE	CAÑO	TUYAUTERIE
13	3425M006		1 TUBO	PIPE	CAÑO	TUYAUTERIE
14	33135413		1 ESPAÇADOR	SPACER	ESPAZIADOR	ENTRETOISE
15	2314E007		2 PARAFUSO	BOLT	TORNILLO	VIS
16	2314H005		1 PARAFUSO	BOLT	TORNILLO	VIS
17	36516119		4 PRESILHA	CLIP	SUJETADOR	AGRAFE
18	70600001		4 ALMOFADA	DAMPER	AMORTIGUADOR	AMORTISSEUR
19	2318D205		2 PORCA	NUT	TUERCA	ÉCROU
20	70920133		1 ARRUELA	WASHER	ARANDELA	RONDELLE
21	6354129	10	2 ELEMENTO	ELEMENT	ELEMENTO	ÉLÉMENT
22	26410149	1	1 JOGO DE REPARO	REPAIR KIT	JUEGO REPARACIÓN	JEU REPARATION
23	2314H003		1 PARAFUSO	BOLT	TORNILLO	VIS
24	0650204		1 BUJÃO	PLUG	TAPÓN	BOUCHON
25	32184226		2 BUJÃO	PLUG	TAPÓN	BOUCHON
26	70920135		2 ARRUELA	WASHER	ARANDELA	RONDELLE
27	2318A604		2 PORCA	NUT	TUERCA	ÉCROU
28	36568153	6	1 PRESILHA	CLIP	SUJETADOR	AGRAFE
29	33532129	6	2 PORCA	NUT	TUERCA	ÉCROU
30	33811114	6	2 OLIVA	OLIVE	OLIVA	OLIVE
31	36568138	6	1 PRESILHA	CLIP	SUJETADOR	AGRAFE
32	33225412		2 PORCA	NUT	TUERCA	ÉCROU
33	33811112		2 OLIVA	OLIVE	OLIVA	OLIVE
34	0576112		1 PORCA	NUT	TUERCA	ÉCROU
35	0566003		1 OLIVA	OLIVE	OLIVA	OLIVE
36	33532129	8	2 PORCA	NUT	TUERCA	ÉCROU
37	33811114	8	2 OLIVA	OLIVE	OLIVA	OLIVE
38	33532129	12	2 PORCA	NUT	TUERCA	ÉCROU
39	33811114	12	2 OLIVA	OLIVE	OLIVA	OLIVE
40	70920120		2 ARRUELA	WASHER	ARANDELA	RONDELLE

**BOMBA ALIMENTADORA DE COMBUSTÍVEL**  
**FUEL OIL LIFT PUMP**  
**BOMBA DE ALIMENTACIÓN DE COMBUSTIBLE**  
**POMPE D'ALIMENTATION DE COMBUSTIBLE**

**GRUPO**  
**GROUP** 42/220  
**GRUPO**  
**GROUPE**





**BOMBA ALIMENTADORA DE COMBUSTÍVEL**  
**FUEL OIL LIFT PUMP**  
**BOMBA DE ALIMENTACIÓN DE COMBUSTIBLE**  
**POMPE D'ALIMENTATION DE COMBUSTIBLE**

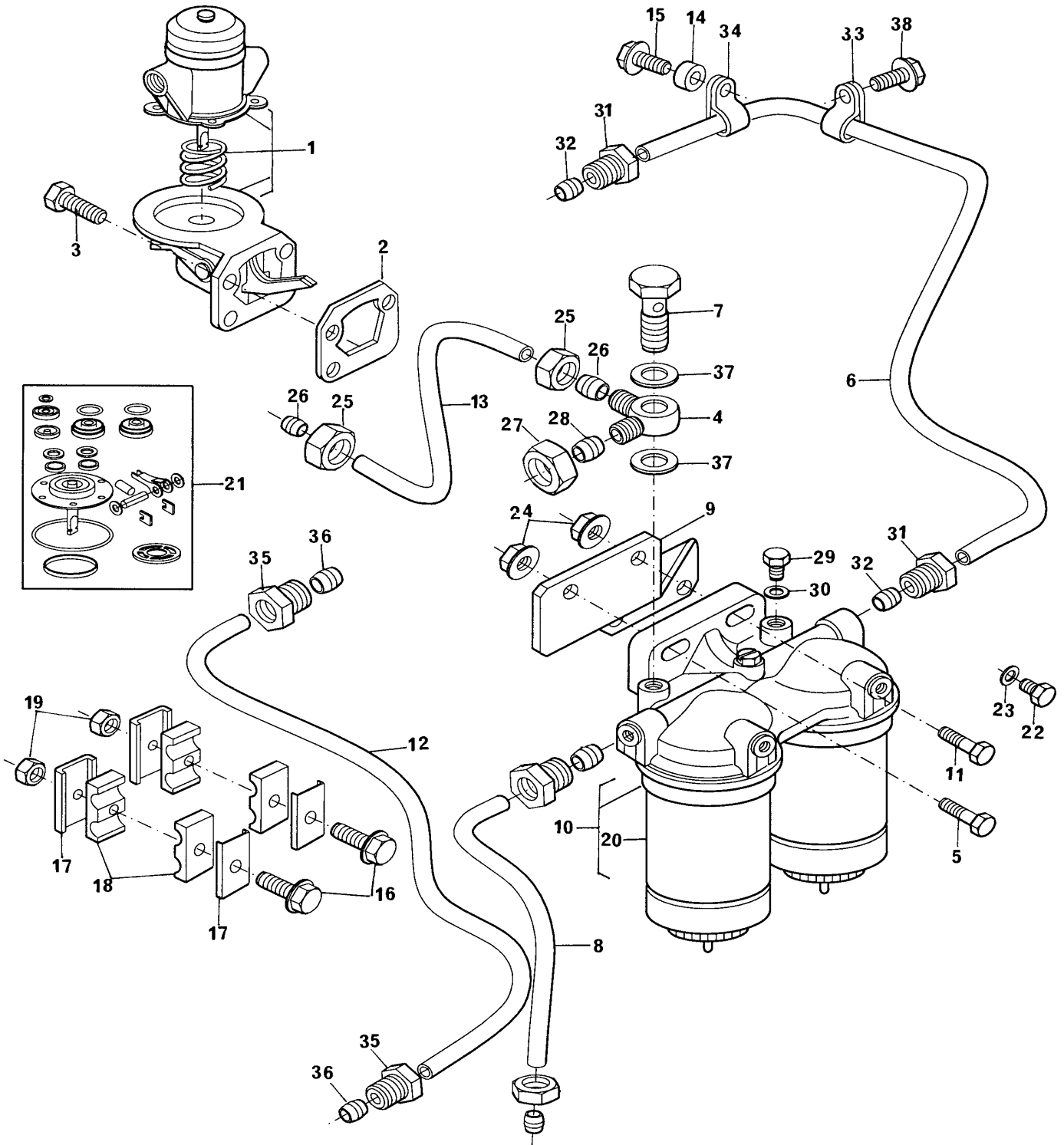
**GRUPO**  
**GROUP** 42/220  
**GRUPO**  
**GROUPE**

1	2641A070		1 BOMBA ALIMENTADORA	LIFT PUMP	BOMBA	POMPE
2	36856104		1 JUNTA	JOINT	JUNTA	JOINT
3	2314H005		4 PARAFUSO	BOLT	TORNILLO	VIS
4	0201397		1 CONEXÃO	CONNECTION	CONEXIÓN	RACCORD
5	2314J006		2 PARAFUSO	BOLT	TORNILLO	VIS
6	4125T005		1 TUBO	PIPE	CAÑO	TUYAUTERIE
7	0095344		1 PARAFUSO	BOLT	TORNILLO	VIS
8	4122P016		1 TUBO	PIPE	CAÑO	TUYAUTERIE
9	3818D013		1 SUPORTE	BRACKET	SOPORTE	SUPPORT
10	2656F702		1 FILTRO	FILTER	FILTRO	FILTRE
11	2314J002		2 PARAFUSO	BOLT	TORNILLO	VIS
12	4122T006		1 TUBO	PIPE	CAÑO	TUYAUTERIE
13	3425M006		1 TUBO	PIPE	CAÑO	TUYAUTERIE
14	33135413		1 ESPAÇADOR	SPACER	ESPACIADOR	ENTRETOISE
15	2314E007		2 PARAFUSO	BOLT	TORNILLO	VIS
16	2314H005		1 PARAFUSO	BOLT	TORNILLO	VIS
17	36516119		4 PRESILHA	CLIP	SUJETADOR	AGRAFE
18	70600001		4 ALMOFADA	DAMPER	AMORTIGUADOR	AMORTISSEUR
19	2318D205		2 PORCA	NUT	TUERCA	ÉCROU
20	70920120		2 ARRUELA	WASHER	ARANDELA	RONDELLE
21	6354129	10	2 ELEMENTO	ELEMENT	ELEMENTO	ÉLÉMENT
22	26410149	1	1 JOGO DE REPARO	REPAIR KIT	JUEGO REPARACIÓN	JEU REPARATION
23	0650204		1 BUJÃO	PLUG	TAPÓN	BOUCHON
24	70920133		1 ARRUELA	WASHER	ARANDELA	RONDELLE
25	32184226		2 BUJÃO	PLUG	TAPÓN	BOUCHON
26	70920135		2 ARRUELA	WASHER	ARANDELA	RONDELLE
27	0576112		1 PORCA	NUT	TUERCA	ÉCROU
28	0566003		1 OLIVA	OLIVE	OLIVA	OLIVA
29	2318A604		2 PORCA	NUT	TUERCA	ÉCROU
30	33225412		2 PORCA	NUT	TUERCA	ÉCROU
31	33811112		2 OLIVA	OLIVE	OLIVA	OLIVE
32	33532129	6	2 PORCA	NUT	TUERCA	ÉCROU
33	33811114	6	2 OLIVA	OLIVE	OLIVA	OLIVE
34	36568138	6	1 PRESILHA	CLIP	SUJETADOR	AGRAFE
35	36568153	6	1 PRESILHA	CLIP	SUJETADOR	AGRAFE
36	33532129	12	2 PORCA	NUT	TUERCA	ÉCROU
37	33811114	12	2 OLIVA	OLIVE	OLIVA	OLIVE
38	33532129	8	2 PORCA	NUT	TUERCA	ÉCROU
39	33811114	8	2 OLIVA	OLIVE	OLIVA	OLIVE
40	2314H003		1 PARAFUSO	BOLT	TORNILLO	VIS

**BOMBA ALIMENTADORA DE COMBUSTÍVEL**  
**FUEL OIL LIFT PUMP**  
**BOMBA DE ALIMENTACIÓN DE COMBUSTIBLE**  
**POMPE D'ALIMENTATION DE COMBUSTIBLE**

**GRUPO**  
**GROUP**  
**GRUPO**  
**GROUPE**

42/224



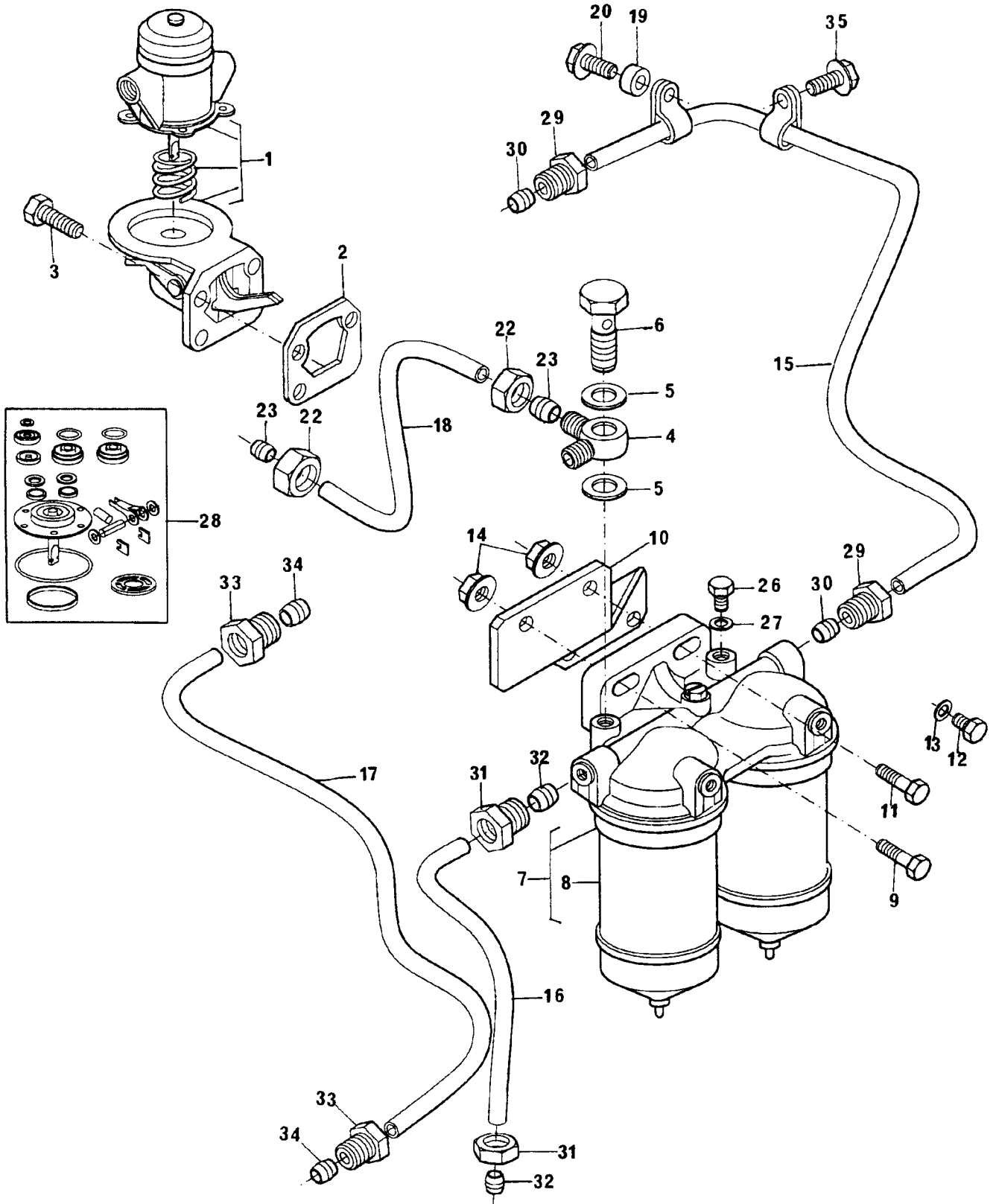
**BOMBA ALIMENTADORA DE COMBUSTÍVEL**  
**FUEL OIL LIFT PUMP**  
**BOMBA DE ALIMENTACIÓN DE COMBUSTIBLE**  
**POMPE D'ALIMENTATION DE COMBUSTIBLE**

**GRUPO**  
**GROUP** 42/224  
**GRUPO**  
**GROUPE**

1	2641A070		1 BOMBA ALIMENTADORA	LIFT PUMP	BOMBA	POMPE
2	36856104		1 JUNTA	JOINT	JUNTA	JOINT
3	2314H005		4 PARAFUSO	BOLT	TORNILLO	VIS
4	0201397		1 CONEXÃO	CONNECTION	CONEXIÓN	RACCORD
5	2314J006		2 PARAFUSO	BOLT	TORNILLO	VIS
6	4125T005		1 TUBO	PIPE	CAÑO	TUYAUTERIE
7	0095344		1 PARAFUSO	BOLT	TORNILLO	VIS
8	4125C005		1 TUBO	PIPE	CAÑO	TUYAUTERIE
9	3818D013		1 SUPORTE	BRACKET	SOPORTE	SUPPORT
10	2656F702		1 FILTRO	FILTER	FILTRO	FILTRE
11	2314J002		2 PARAFUSO	BOLT	TORNILLO	VIS
12	70992908		1 TUBO	PIPE	CAÑO	TUYAUTERIE
13	3425M006		1 TUBO	PIPE	CAÑO	TUYAUTERIE
14	33135413		1 ESPAÇADOR	SPACER	ESPACIADOR	ENTRETOISE
15	2314H005		1 PARAFUSO	BOLT	TORNILLO	VIS
16	2314E007		2 PARAFUSO	BOLT	TORNILLO	VIS
17	36516119		4 PRESILHA	CLIP	SUJETADOR	AGRAFE
18	70600001		4 ALMOFADA	DAMPER	AMORTIGUADOR	AMORTISSEUR
19	2318D205		2 PORCA	NUT	TUERCA	ÉCROU
20	6354129	10	2 ELEMENTO	ELEMENT	ELEMENTO	ÉLÉMENT
21	26410149	1	1 JOGO DE REPARO	REPAIR KIT	JUEGO REPARACIÓN	JEU REPARATION
22	32184226		2 BUJÃO	PLUG	TAPÓN	BOUCHON
23	70920135		2 ARRUELA	WASHER	ARANDELA	RONDELLE
24	2318A604		2 PORCA	NUT	TUERCA	ÉCROU
25	33225412		2 PORCA	NUT	TUERCA	ÉCROU
26	33811112		2 OLIVA	OLIVE	OLIVA	OLIVE
27	0576112		1 PORCA	NUT	TUERCA	ÉCROU
28	0566003		1 OLIVA	OLIVE	OLIVA	OLIVE
29	70650115		1 BUJÃO	PLUG	TAPÓN	BOUCHON
30	70920115		1 ARRUELA	WASHER	ARANDELA	RONDELLE
31	33532129	6	2 PORCA	NUT	TUERCA	ÉCROU
32	33811114	6	2 OLIVA	OLIVE	OLIVA	OLIVE
33	36568138	6	1 PRESILHA	CLIP	SUJETADOR	AGRAFE
34	36568153	6	1 PRESILHA	CLIP	SUJETADOR	AGRAFE
35	0576113	12	2 PORCA	NUT	TUERCA	ÉCROU
36	70190005	12	2 OLIVA	OLIVE	OLIVA	OLIVE
37	70920120		2 ARRUELA	WASHER	ARANDELA	RONDELLE
38	2314H003		1 PARAFUSO	BOLT	TORNILLO	VIS

BOMBA ALIMENTADORA DE COMBUSTÍVEL  
FUEL OIL LIFT PUMP  
BOMBA DE ALIMENTACIÓN DE COMBUSTIBLE  
POMPE D'ALIMENTATION DE COMBUSTIBLE

GRUPO  
GROUP 42/242  
GRUPO  
GROUPE



**BOMBA ALIMENTADORA DE COMBUSTÍVEL**  
**FUEL OIL LIFT PUMP**  
**BOMBA DE ALIMENTACIÓN DE COMBUSTIBLE**  
**POMPE D'ALIMENTATION DE COMBUSTIBLE**

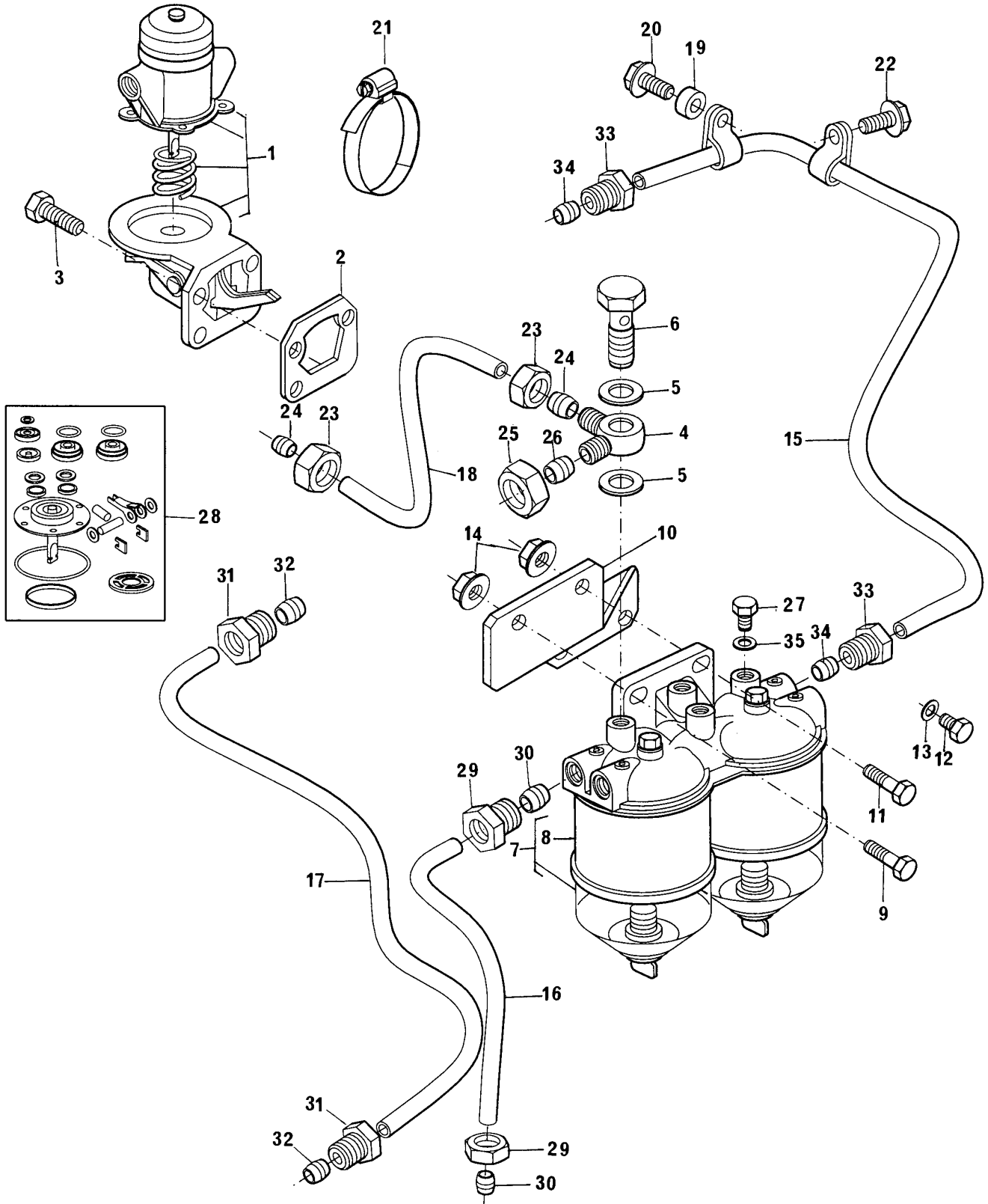
**GRUPO**  
**GROUP** 42/242  
**GRUPO**  
**GRUPE**

1	72096		1 BOMBA ALIMENTADORA	LIFT PUMP	BOMBA	POMPE
2	36856104		1 JUNTA	JOINT	JUNTA	JOINT
3	2314H005	M8X30	4 PARAFUSO	BOLT	TORNILLO	VIS
4	31726592		1 CONEXÃO	CONNECTION	CONEXIÓN	RACCORD
5	70920120		2 ARRUELA	WASHER	ARANDELA	RONDELLE
6	0095344		1 PARAFUSO	BOLT	TORNILLO	VIS
7	72115		1 FILTRO	PIPE	CAÑO	TUYAUTERIE
8	423651	7	2 ELEMENTO	ELEMENT	ELEMENTO	ELEMENT
9	2314J006	M10X40	2 PARAFUSO	BOLT	TORNILLO	VIS
10	3818D013		1 SUPORTE	BRACKET	SOPORTE	SUPPORT
11	2314J002	M10X20	2 PARAFUSO	BOLT	TORNILLO	VIS
12	32184226		2 BUJÃO	PLUG	TAPÓN	BOUCHON
13	70920135		2 ARRUELA	WASHER	ARANDELA	RONDELLE
14	2318A604		2 PORCA	NUT	TUERCA	ÉCROU
15	4125T005		1 TUBO	PIPE	CAÑO	TUYAUTERIE
16	4122P005		1 TUBO	PIPE	CAÑO	TUYAUTERIE
17	4122P012		1 TUBO	PIPE	CAÑO	TUYAUTERIE
18	3425M006		1 TUBO	PIPE	CAÑO	TUYAUTERIE
19	33135413		1 ESPAÇADOR	SPACER	ESPACIADOR	ENTRETOISE
20	2314H005	M8X30	1 PARAFUSO	BOLT	TORNILLO	VIS
22	33225412		2 PORCA	NUT	TUERCA	ÉCROU
23	33811112		2 OLIVA	OLIVE	OLIVA	OLIVE
26	0650204		1 BUJÃO	PLUG	TAPÓN	BOUCHON
27	70920133		1 ARRUELA	WASHER	ARANDELA	RONDELLE
28	26410149	1	1 JOGO DE REPARO	REPAIR KIT	JUEGO REPARACIÓN	JEU REPARATION
29	33532129	15	2 PORCA	NUT	TUERCA	ÉCROU
30	33811114	15	2 OLIVA	OLIVE	OLIVA	OLIVE
31	33532129	16	2 PORCA	NUT	TUERCA	ÉCROU
32	33811114	16	2 OLIVA	OLIVE	OLIVA	OLIVE
33	33532129	17	2 PORCA	NUT	TUERCA	ÉCROU
34	33811114	17	2 OLIVA	OLIVE	OLIVA	OLIVE
35	2314H003		1 PARAFUSO	BOLT	TORNILLO	VIS

**BOMBA ALIMENTADORA DE COMBUSTÍVEL**  
**FUEL OIL LIFT PUMP**  
**BOMBA DE ALIMENTACIÓN DE COMBUSTIBLE**  
**POMPE D'ALIMENTATION DE COMBUSTIBLE**

**GRUPO**  
**GROUP**  
**GRUPO**  
**GROUPE**

42/245



**BOMBA ALIMENTADORA DE COMBUSTÍVEL**  
**FUEL OIL LIFT PUMP**  
**BOMBA DE ALIMENTACIÓN DE COMBUSTIBLE**  
**POMPE D'ALIMENTATION DE COMBUSTIBLE**

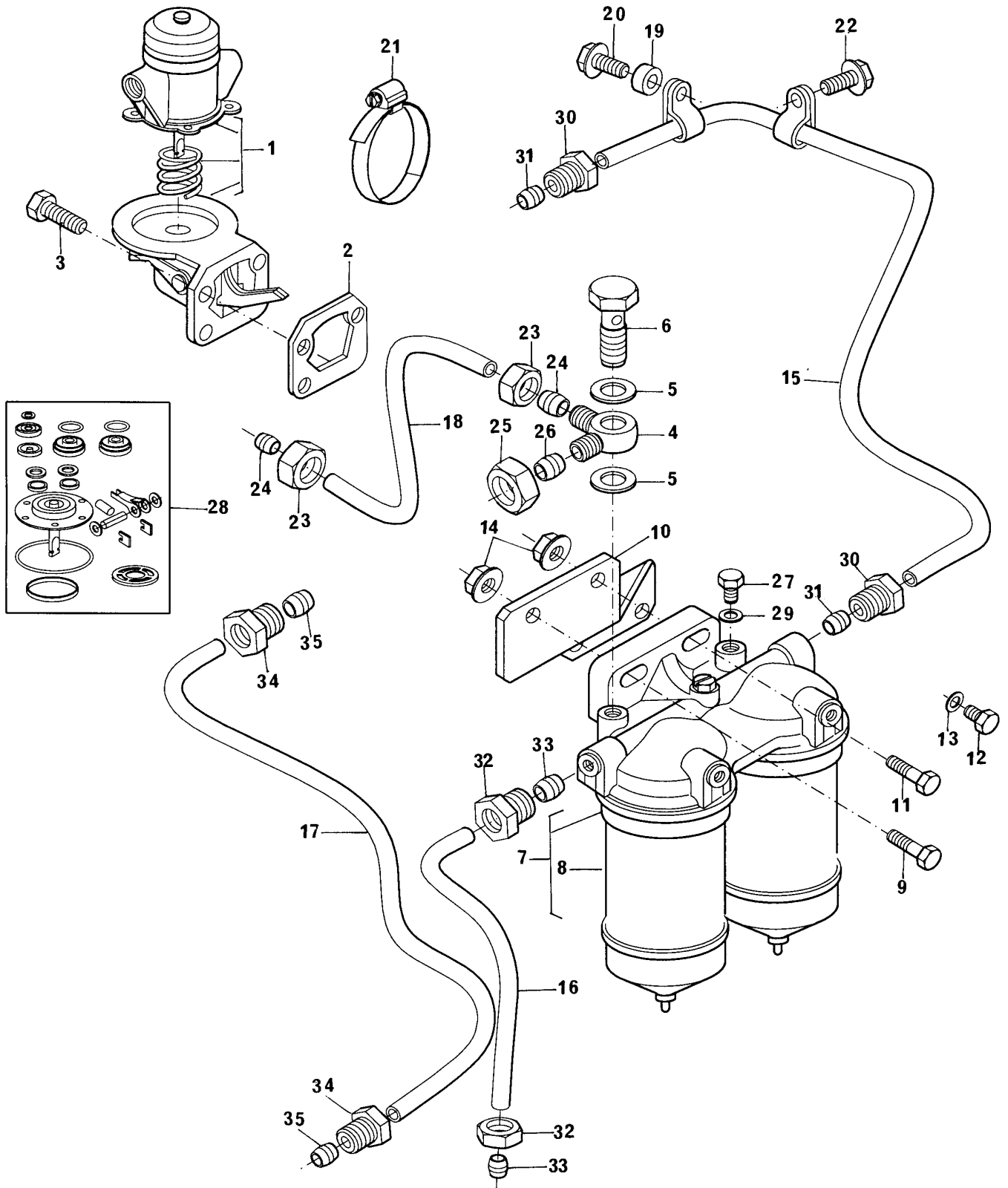
**GRUPO**  
**GROUP** 42/245  
**GRUPO**  
**GRUPE**

1	72096		1 BOMBA ALIMENTADORA	LIFT PUMP	BOMBA	POMPE
2	36856104		1 JUNTA	JOINT	JUNTA	JOINT
3	2314H005	M8X30	4 PARAFUSO	BOLT	TORNILLO	VIS
4	0201397		1 CONEXÃO	CONNECTION	CONEXIÓN	RACCORD
5	70920120		2 ARRUELA	WASHER	ARANDELA	RONDELLE
6	0095344		1 PARAFUSO	BOLT	TORNILLO	VIS
7	72116		1 FILTRO	PIPE	CAÑO	TUYAUTERIE
8	635776	7	2 ELEMENTO	ELEMENT	ELEMENTO	ELEMENT
9	2314J007	M10X45	2 PARAFUSO	BOLT	TORNILLO	VIS
10	3818D013		1 SUPORTE	BRACKET	SOPORTE	SUPPORT
11	2314J002	M10X20	2 PARAFUSO	BOLT	TORNILLO	VIS
12	32184226		2 BUJÃO	PLUG	TAPÓN	BOUCHON
13	70920135		2 ARRUELA	WASHER	ARANDELA	RONDELLE
14	2318A604		2 PORCA	NUT	TUERCA	ÉCROU
15	4125T005		1 TUBO	PIPE	CAÑO	TUYAUTERIE
16	4122P016		1 TUBO	PIPE	CAÑO	TUYAUTERIE
17	4122T006		1 TUBO	PIPE	CAÑO	TUYAUTERIE
18	3425M006		1 TUBO	PIPE	CAÑO	TUYAUTERIE
19	33135413		1 ESPAÇADOR	SPACER	ESPAZIADOR	ENTRETOISE
20	2314H005	M8X30	1 PARAFUSO	BOLT	TORNILLO	VIS
21	2481D302		2 PRESILHA	CLIP	SUJETADOR	AGRAFE
22	2314H003	M8X20	1 PARAFUSO	BOLT	TORNILLO	VIS
23	33225412		2 PORCA	NUT	TUERCA	ÉCROU
24	33811112		2 OLIVA	OLIVE	OLIVA	OLIVE
25	0576113		1 PORCA	NUT	TUERCA	ÉCROU
26	0566004		1 OLIVA	OLIVE	OLIVA	OLIVE
27	0650204		1 BUJÃO	PLUG	TAPÓN	BOUCHON
28	26410149	1	1 JOGO DE REPARO	REPAIR KIT	JUEGO REPARACIÓN	JEU REPARATION
29	33532129	16	2 PORCA	NUT	TUERCA	ÉCROU
30	33811114	16	2 OLIVA	OLIVE	OLIVA	OLIVE
31	33532129	17	2 PORCA	NUT	TUERCA	ÉCROU
32	33811114	17	2 OLIVA	OLIVE	OLIVA	OLIVE
33	33532129	15	2 PORCA	NUT	TUERCA	ÉCROU
34	33811114	15	2 OLIVA	OLIVE	OLIVA	OLIVE
35	70920115		1 ARRUELA	WASHER	ARANDELA	RONDELLE

**BOMBA ALIMENTADORA DE COMBUSTÍVEL**  
**FUEL OIL LIFT PUMP**  
**BOMBA DE ALIMENTACIÓN DE COMBUSTIBLE**  
**POMPE D'ALIMENTATION DE COMBUSTIBLE**

**GRUPO**  
**GROUP**  
**GRUPO**  
**GROUPE**

42/246





**BOMBA ALIMENTADORA DE COMBUSTÍVEL**  
**FUEL OIL LIFT PUMP**  
**BOMBA DE ALIMENTACIÓN DE COMBUSTIBLE**  
**POMPE D'ALIMENTATION DE COMBUSTIBLE**

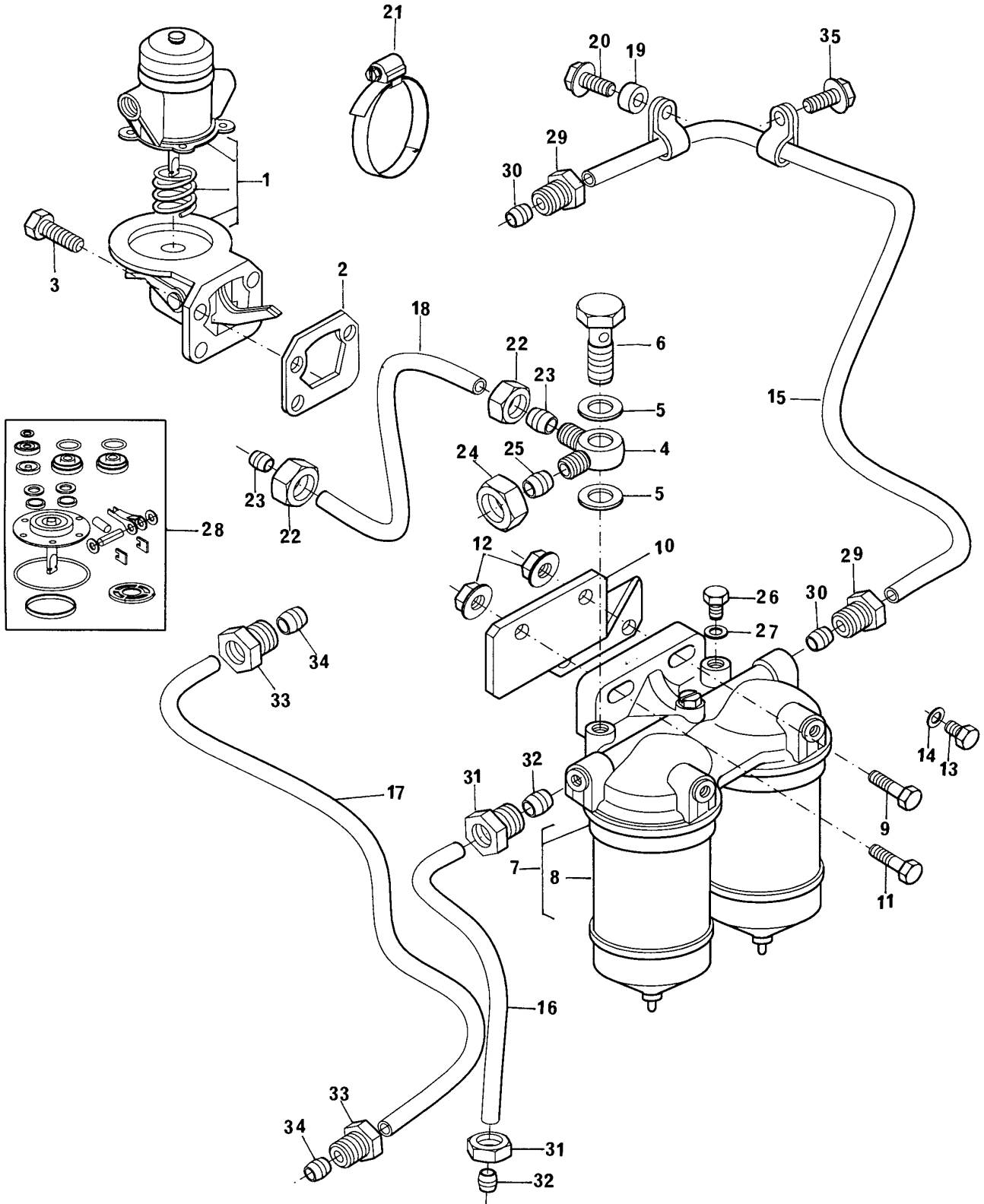
**GRUPO**  
**GROUP** 42/246  
**GRUPO**  
**GROUPE**

1	72096		1 BOMBA ALIMENTADORA	LIFT PUMP	BOMBA	POMPE
2	36856104		1 JUNTA	JOINT	JUNTA	JOINT
3	2314H005	M8X30	4 PARAFUSO	BOLT	TORNILLO	VIS
4	31726592		1 CONEXÃO	CONNECTION	CONEXIÓN	RACCORD
5	70920120		2 ARRUELA	WASHER	ARANDELA	RONDELLE
6	0095344		1 PARAFUSO BANJO	BANJO BOLT	TORNILLO BANJO	VIS BANJO
7	72115		1 FILTRO	PIPE	CAÑO	TUYAUTERIE
8	423651	7	2 ELEMENTO	ELEMENT	ELEMENTO	ELEMENT
9	2314J007	M10X45	2 PARAFUSO	BOLT	TORNILLO	VIS
10	3818D013		1 SUPORTE	BRACKET	SOPORTE	SUPPORT
11	2314J002	M10X20	2 PARAFUSO	BOLT	TORNILLO	VIS
12	32184226		2 BUJÃO	PLUG	TAPÓN	BOUCHON
13	70920135		2 ARRUELA	WASHER	ARANDELA	RONDELLE
14	2318A604		2 PORCA	NUT	TUERCA	ÉCROU
15	4125T005		1 TUBO	PIPE	CAÑO	TUYAUTERIE
16	4122P016		1 TUBO	PIPE	CAÑO	TUYAUTERIE
17	4121C021		1 TUBO	PIPE	CAÑO	TUYAUTERIE
18	3425M006		1 TUBO	PIPE	CAÑO	TUYAUTERIE
19	33135413		1 ESPAÇADOR	SPACER	ESPACIADOR	ENTRETOISE
20	2314H005	M8X30	1 PARAFUSO	BOLT	TORNILLO	VIS
21	2481D302		2 PRESILHA	CLIP	SUJETADOR	AGRAFE
22	2314H003	M8X20	1 PARAFUSO	BOLT	TORNILLO	VIS
23	33225412		2 PORCA	NUT	TUERCA	ÉCROU
24	33811112		2 OLIVA	OLIVE	OLIVA	OLIVE
25	0576113		1 PORCA	NUT	TUERCA	ÉCROU
26	0566004		1 OLIVA	OLIVE	OLIVA	OLIVE
27	0650204		1 BUJÃO	PLUG	TAPÓN	BOUCHON
28	26410149	1	1 JOGO DE REPARO	REPAIR KIT	JUEGO REPARACIÓN	JEU REPARATION
29	70920133		1 ARRUELA	WASHER	ARANDELA	RONDELLE
30	33532129	15	2 PORCA	NUT	TUERCA	ÉCROU
31	33811114	15	2 OLIVA	OLIVE	OLIVA	OLIVE
32	33532129	16	2 PORCA	NUT	TUERCA	ÉCROU
33	33811114	16	2 OLIVA	OLIVE	OLIVA	OLIVE
34	33532129	17	2 PORCA	NUT	TUERCA	ÉCROU
35	33811114	17	2 OLIVA	OLIVE	OLIVA	OLIVE

BOMBA ALIMENTADORA DE COMBUSTÍVEL  
FUEL OIL LIFT PUMP  
BOMBA DE ALIMENTACIÓN DE COMBUSTIBLE  
POMPE D'ALIMENTATION DE COMBUSTIBLE

GRUPO  
GROUP  
GRUPO  
GROUPE

42/248



**BOMBA ALIMENTADORA DE COMBUSTÍVEL**  
**FUEL OIL LIFT PUMP**  
**BOMBA DE ALIMENTACIÓN DE COMBUSTIBLE**  
**POMPE D'ALIMENTATION DE COMBUSTIBLE**

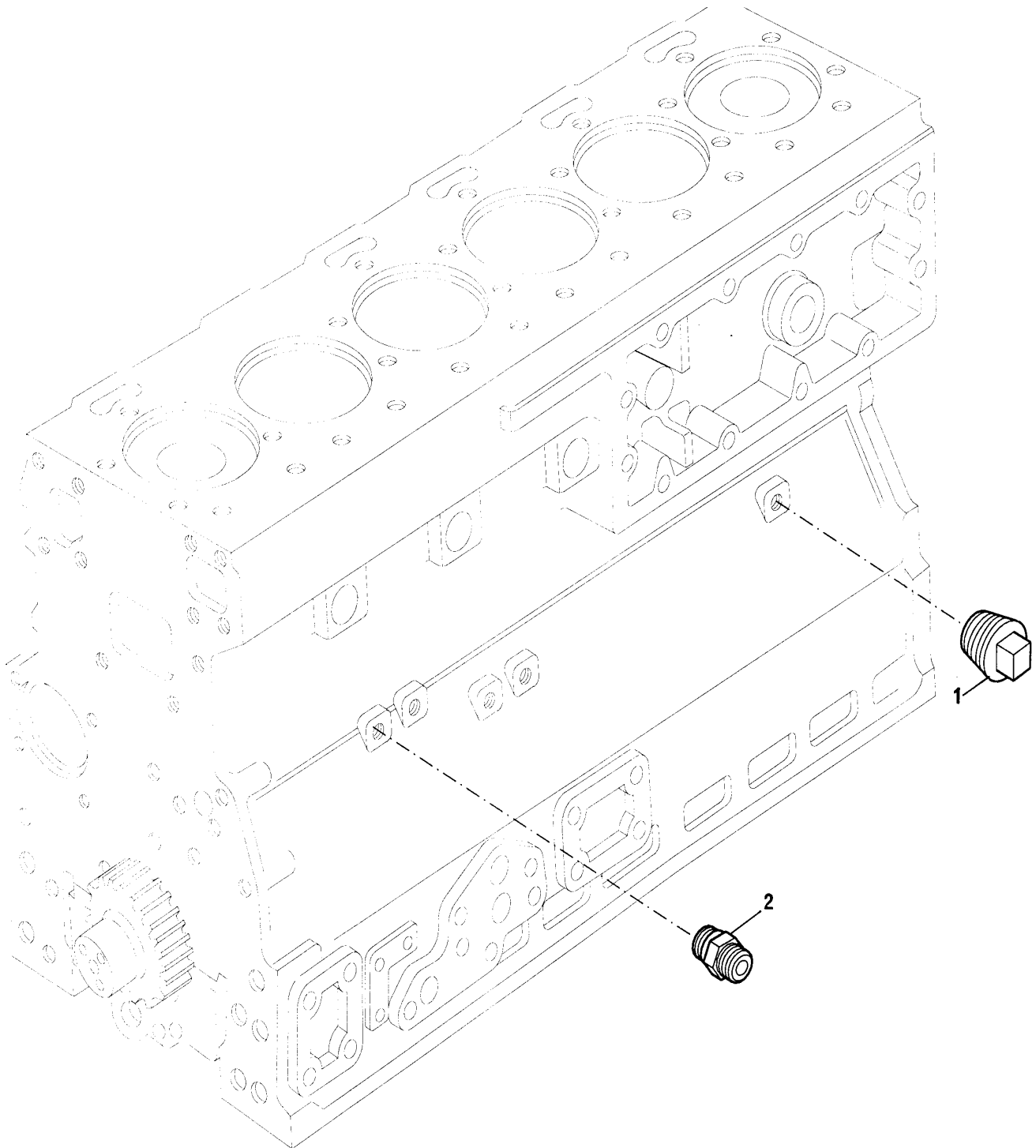
**GRUPO**  
**GROUP** 42/248  
**GRUPO**  
**GRUPE**

1	72096		1 BOMBA ALIMENTADORA	LIFT PUMP	BOMBA	POMPE
2	36856104		1 JUNTA	JOINT	JUNTA	JOINT
3	2314H005	M8X30	4 PARAFUSO	BOLT	TORNILLO	VIS
4	31726592		1 CONEXÃO	CONNECTION	CONEXIÓN	RACCORD
5	70920120		2 ARRUELA	WASHER	ARANDELA	RONDELLE
6	0095344		1 PARAFUSO BANJO	BANJO BOLT	TORNILLO BANJO	VIS BANJO
7	72115		1 FILTRO	PIPE	CAÑO	TUYAUTERIE
8	423651	7	2 ELEMENTO	ELEMENT	ELEMENTO	ELEMENT
9	2314J002	M10X20	2 PARAFUSO	BOLT	TORNILLO	VIS
10	3818D013		1 SUPORTE	BRACKET	SOPORTE	SUPPORT
11	2314J006	M10X40	2 PARAFUSO	BOLT	TORNILLO	VIS
12	2318A604		2 PORCA	NUT	TUERCA	ÉCROU
13	32184226		2 BUJÃO	PLUG	TAPÓN	BOUCHON
14	70920135		2 ARRUELA	WASHER	ARANDELA	RONDELLE
15	4125T005		1 TUBO	PIPE	CAÑO	TUYAUTERIE
16	4122P009		1 TUBO	PIPE	CAÑO	TUYAUTERIE
17	4122T006		1 TUBO	PIPE	CAÑO	TUYAUTERIE
18	3425M006		1 TUBO	PIPE	CAÑO	TUYAUTERIE
19	33135413		1 ESPAÇADOR	SPACER	ESPACIADOR	ENTRETOISE
20	2314H005	M8X30	1 PARAFUSO	BOLT	TORNILLO	VIS
21	2481D302		2 PRESILHA	CLIP	SUJETADOR	AGRAFE
22	33225412		2 PORCA	NUT	TUERCA	ÉCROU
23	33811112		2 OLIVA	OLIVE	OLIVA	OLIVE
24	0576112		1 PORCA	NUT	TUERCA	ÉCROU
25	0566003		1 OLIVA	OLIVE	OLIVA	OLIVE
26	0650204		1 BUJÃO	PLUG	TAPÓN	BOUCHON
27	70920133		1 ARRUELA	WASHER	ARANDELA	RONDELLE
28	26410149	1	1 JOGO DE REPARO	REPAIR KIT	JUEGO REPARACIÓN	JEU REPARATION
29	33532129	15	2 PORCA	NUT	TUERCA	ÉCROU
30	33811114	15	2 OLIVA	OLIVE	OLIVA	OLIVE
31	33532129	16	2 PORCA	NUT	TUERCA	ÉCROU
32	33811114	16	2 OLIVA	OLIVE	OLIVA	OLIVE
33	33532129	17	2 PORCA	NUT	TUERCA	ÉCROU
34	33811114	17	2 OLIVA	OLIVE	OLIVA	OLIVE
35	2314H003		1 PARAFUSO	BOLT	TORNILLO	VIS

**TOMADA P/ MANÔMETRO DE ÓLEO**  
**OIL PRESS GAUGE FITTING**  
**TOMA P/ MANOMETRO ACEITE**  
**PRISE P/ MANOMETRE D'HUILLE**

**GRUPO**  
**GROUP**  
**GRUPO**  
**GROUPE**

43/63



**TOMADA P/ MANÔMETRO DE ÓLEO**  
**OIL PRESS GAUGE FITTING**  
**TOMA P/ MANOMETRO ACEITE**  
**PRISE P/ MANOMETRE D'HUILLE**

**GRUPO**  
**GROUP** 43/63  
**GRUPO**  
**GROUPE**

1 0650594

2 BUJÃO

PLUG

TAPÓN

BOUCHON

2 70200655

1 CONEXÃO

CONNECTION

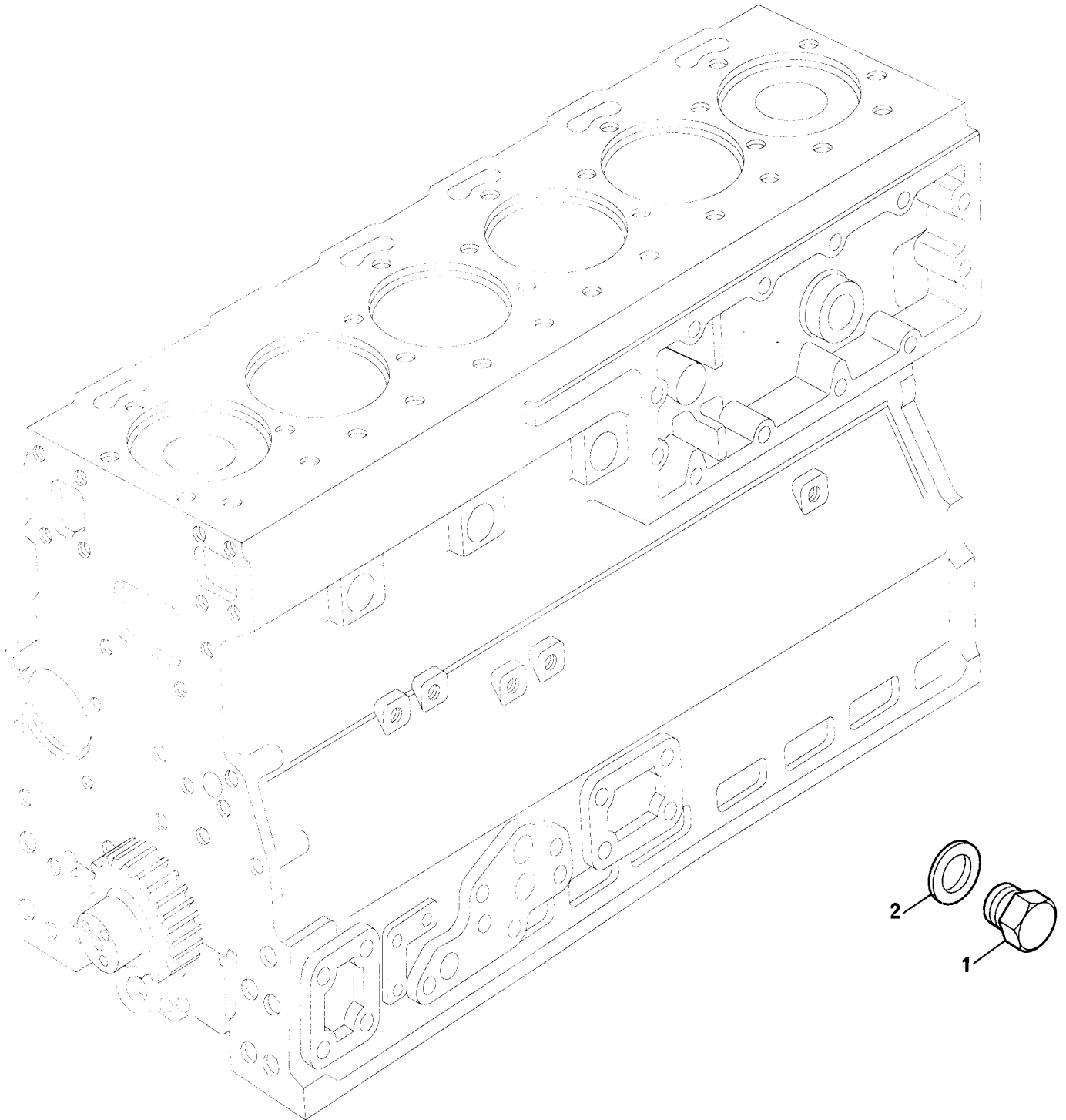
CONEXIÓN

RACCORD

TOMADA P/ MANÔMETRO DE ÓLEO  
OIL PRESS GAUGE FITTING  
TOMA P/ MANOMETRO ACEITE  
PRISE P/ MANOMETRE D'HUILLE

GRUPO  
GROUP  
GRUPO  
GROUPE

43/75



**TOMADA P/ MANÔMETRO DE ÓLEO**  
**OIL PRESS GAUGE FITTING**  
**TOMA P/ MANOMETRO ACEITE**  
**PRISE P/ MANOMETRE D'HUILLE**

**GRUPO**  
**GROUP** 43/75  
**GRUPO**  
**GROUPE**

1 0650594

1 BUJÃO

PLUG

TAPÓN

BOUCHON

2 70920128

1 ARRUELA

WASHER

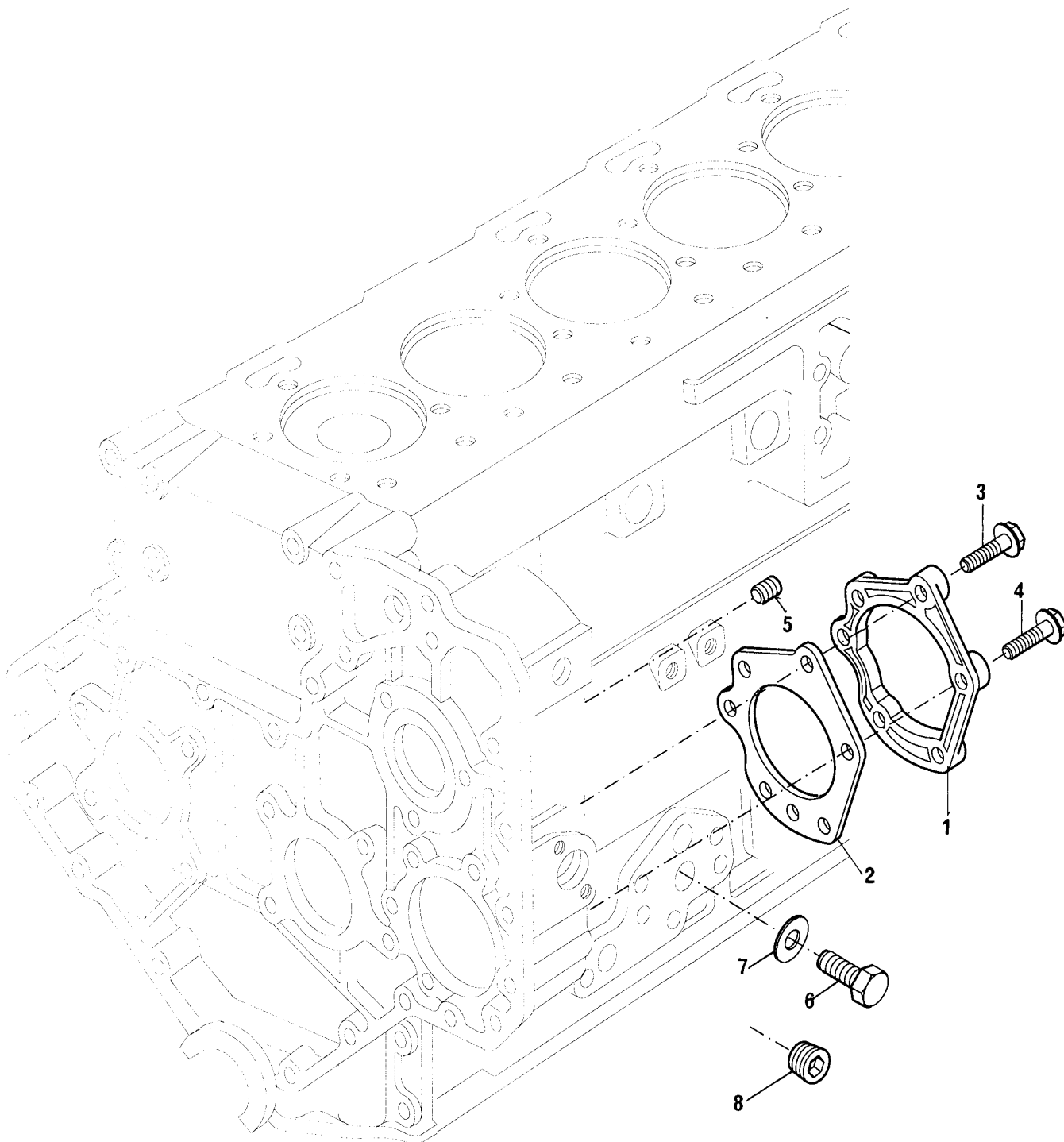
ARANDELA

RONDELLE

TOMADA DE POTÊNCIA  
POWER TAKE-OFF  
TOMA DE POTENCIA  
PRISE DE PUISSANCE

GRUPO  
GROUP  
GRUPO  
GROUPE

44/118





**TOMADA DE POTÊNCIA  
POWER TAKE-OFF  
TOMA DE POTENCIA  
PRISE DE PUISSANCE**

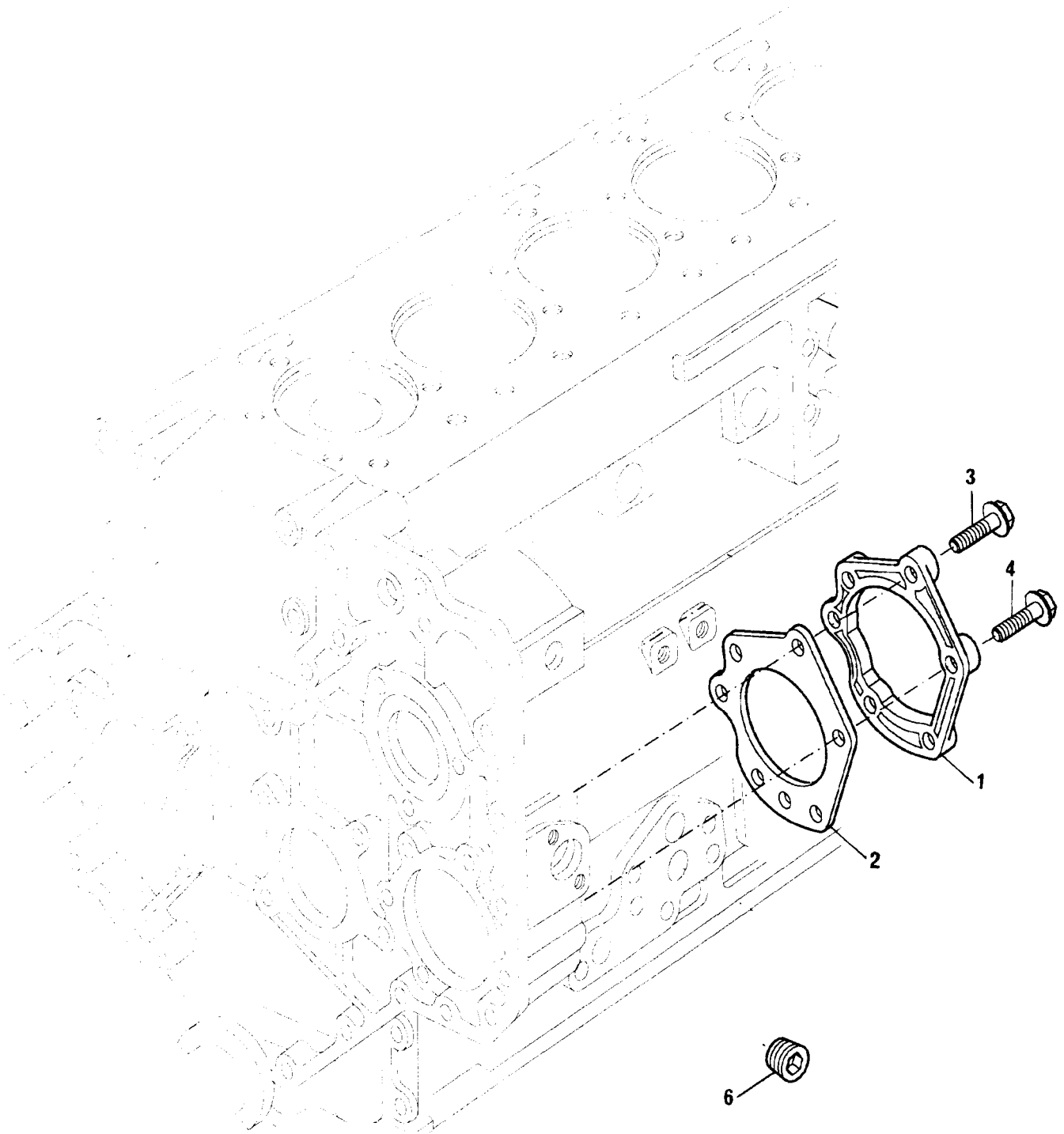
**GRUPO  
GROUP  
GRUPO  
GROUPE** **44/118**

1	3753V018	1	PLACA	PLATE	PLACA	PLAQUE
2	3687H005	1	JUNTA	JOINT	JUNTA	JOINT
3	2314H031	5	PARAFUSO	BOLT	TORNILLO	VIS
4	2314J002	2	PARAFUSO	BOLT	TORNILLO	VIS
5	70650118	1	BUJÃO	PLUG	TAPÓN	BOUCHON
6	2314C049	1	PARAFUSO	BOLT	TORNILLO	VIS
7	70920120	1	ARRUELA	WASHER	ARANDELA	RONDELLE
8	70650119	2	BUJÃO	PLUG	TAPÓN	BOUCHON

TOMADA DE POTÊNCIA  
POWER TAKE-OFF  
TOMA DE POTENCIA  
PRISE DE PUISSANCE

GRUPO  
GROUP  
GRUPO  
GROUPE

44/133



**TOMADA DE POTÊNCIA  
POWER TAKE-OFF  
TOMA DE POTENCIA  
PRISE DE PUISSANCE**

**GRUPO  
GROUP  
GRUPO  
GROUPE**

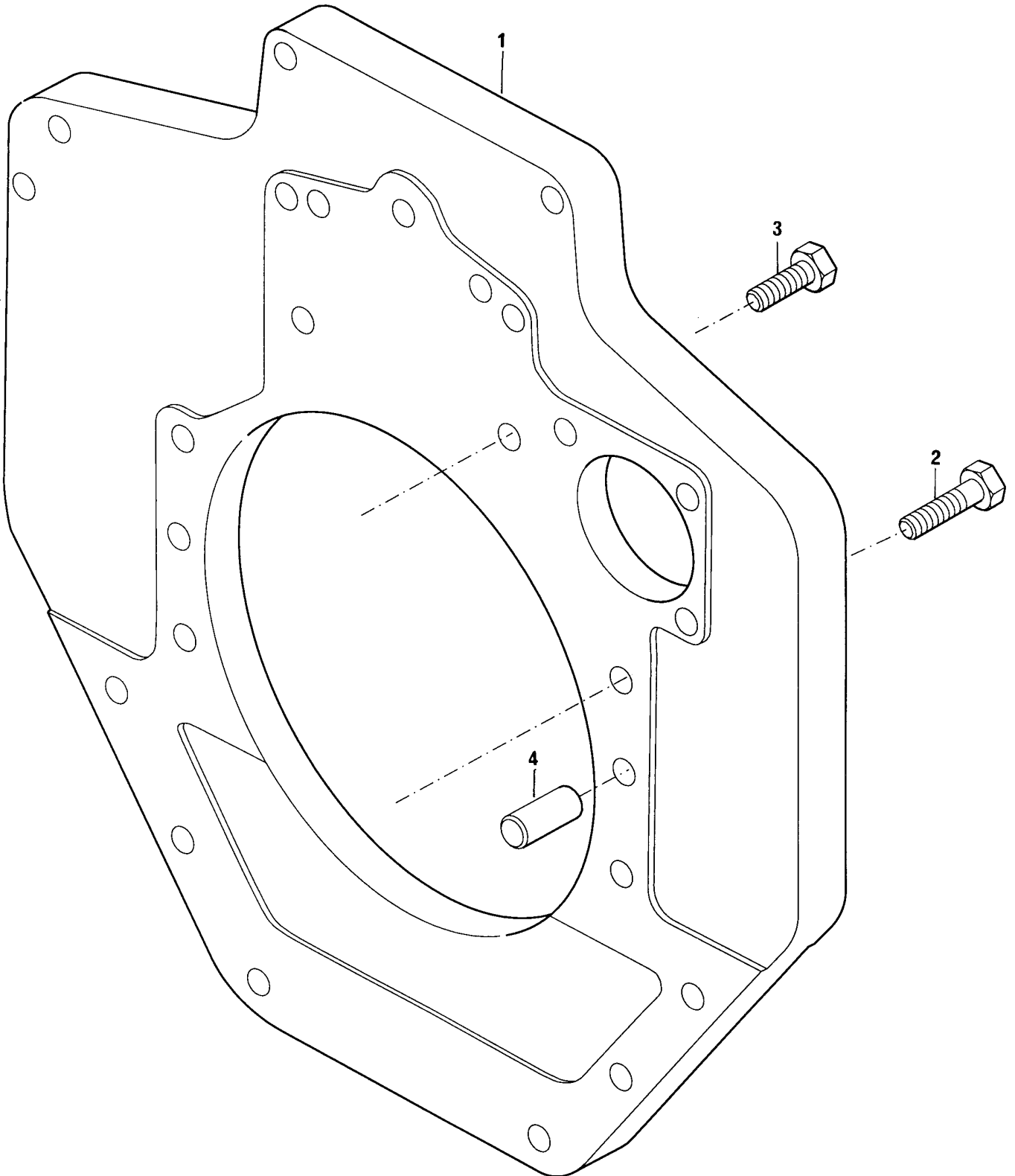
**44/133**

1	3753V018		1 PLACA	PLATE	PLACA	PLAQUE
2	3687H005		1 JUNTA	JOINT	JUNTA	JOINT
3	2314H032		5 PARAFUSO	BOLT	TORNILLO	VIS
4	2314J002	M10X20	1 PARAFUSO	BOLT	TORNILLO	VIS
6	70650119		1 BUJÃO	PLUG	TAPÓN	BOUCHON

CARÇA DO VOLANTE  
FLYWHEEL HOUSING  
CARTER DEL VOLANTE  
CARTER DU VOLANT

GRUPO  
GROUP  
GRUPO  
GROUPE

45/116



**CARCAÇA DO VOLANTE**  
**FLYWHEEL HOUSING**  
**CARTER DEL VOLANTE**  
**CARTER DU VOLANT**

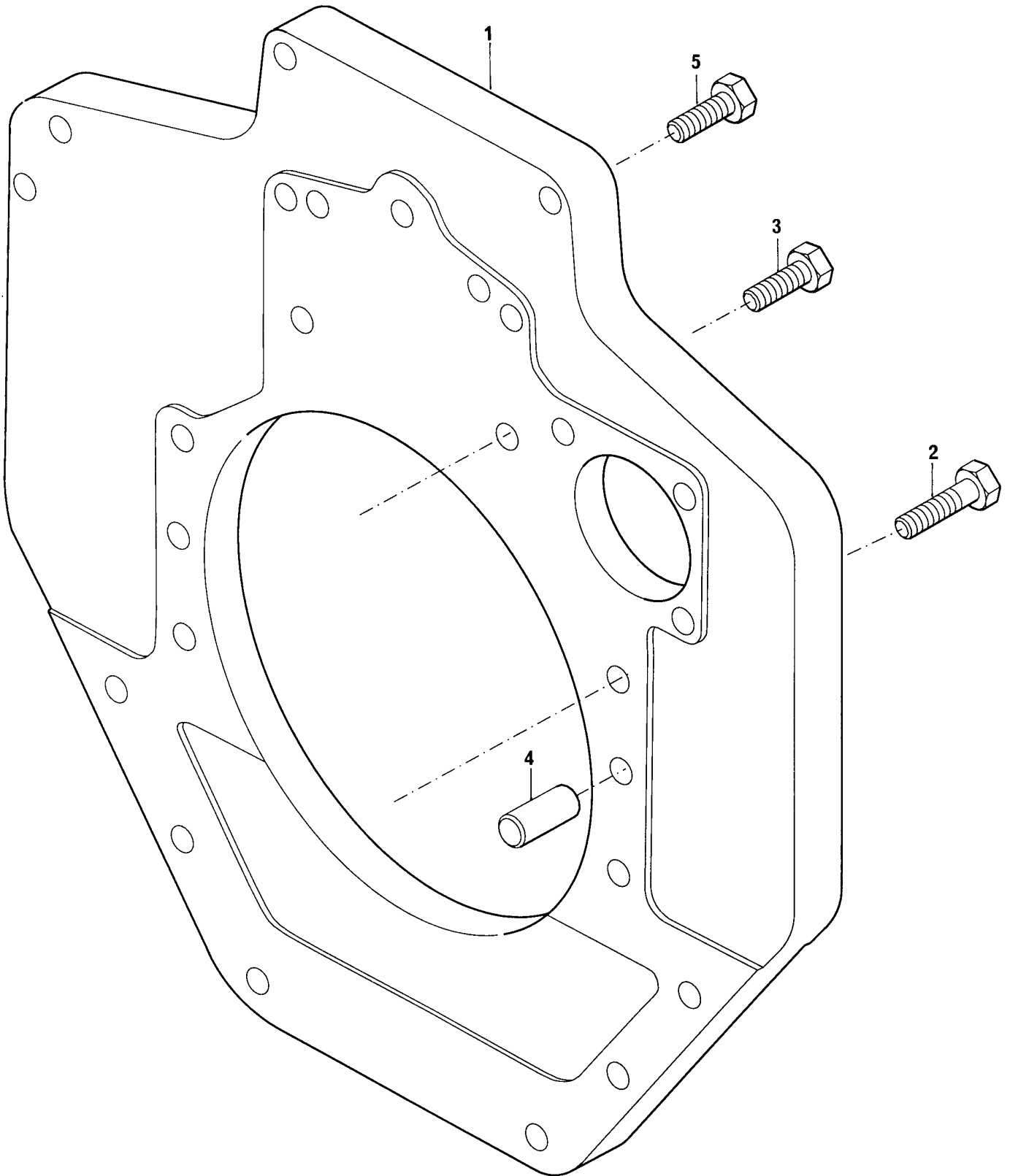
**GRUPO**  
**GROUP** 45/116  
**GRUPO**  
**GROUPE**

1	70940130		1	PLACA ADAPTADORA	PLATE	PLACA	PLAQUE
2	2314J004	M10X30	6	PARAFUSO	BOLT	TORNILLO	VIS
3	70740344	M12X40	2	PARAFUSO	BOLT	TORNILLO	VIS
4	0350025		2	PINO GUIA	DOWEL	ESPIGA	PION

CARCAÇA DO VOLANTE  
FLYWHEEL HOUSING  
CARTER DEL VOLANTE  
CARTER DU VOLANT

GRUPO  
GROUP  
GRUPO  
GROUPE

45/132



**CARÇA DO VOLANTE**  
**FLYWHEEL HOUSING**  
**CARTER DEL VOLANTE**  
**CARTER DU VOLANT**

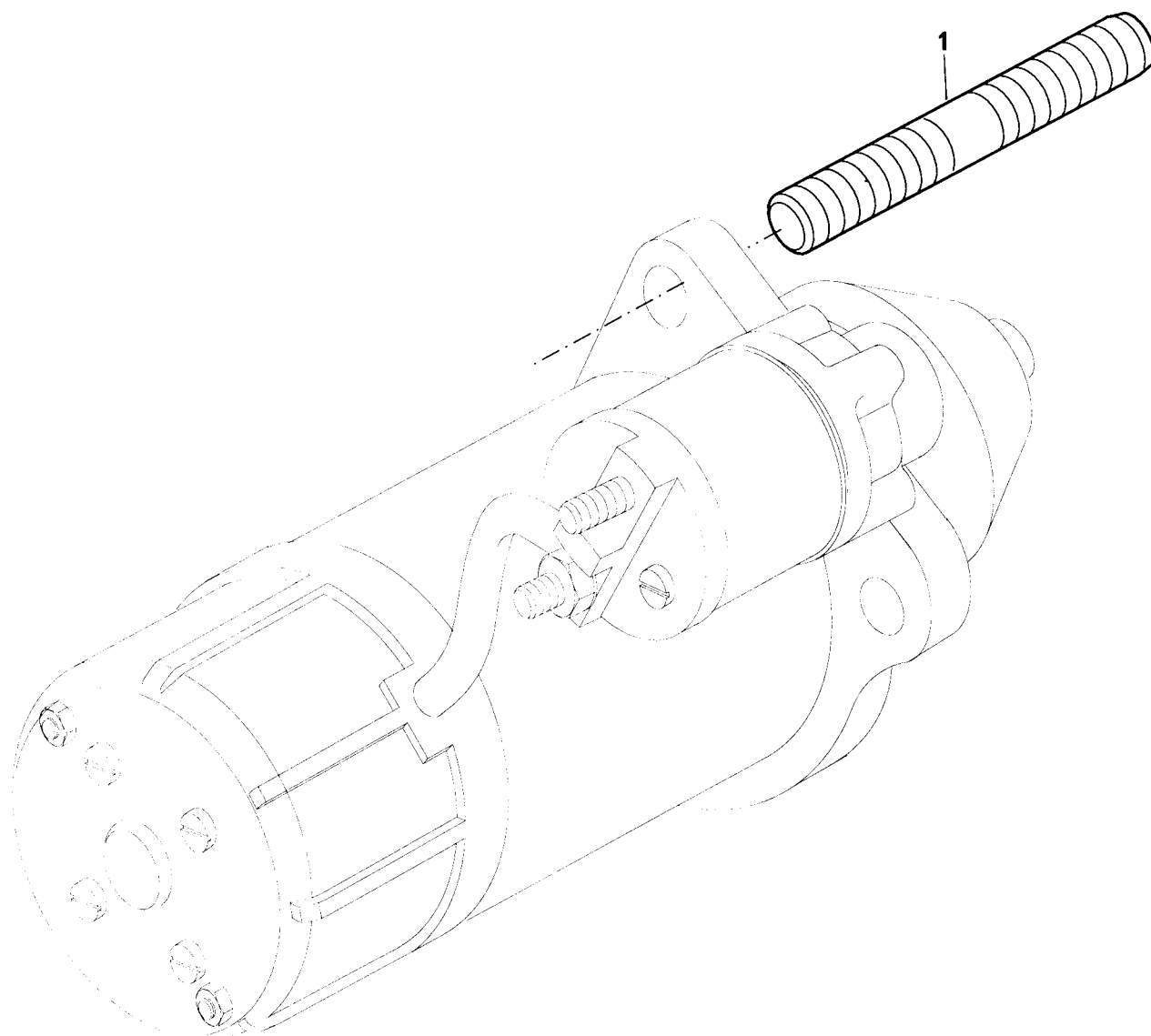
**GRUPO**  
**GROUP** 45/132  
**GRUPO**  
**GROUPE**

1	3714V011		1	PLACA ADAPTADORA	PLATE	PLACA	PLAQUE
2	2314J003	M10X25	6	PARAFUSO	BOLT	TORNILLO	VIS
3	2314J712		2	PARAFUSO	BOLT	TORNILLO	VIS
4	32455119		2	PINO GUIA	DOWEL	ESPIGA	PION
5	70740344		2	PARAFUSO	BOLT	TORNILLO	VIS

MOTOR DE PARTIDA  
STARTER MOTOR  
MOTOR DE ARRANQUE  
DEMARREUR

GRUPO  
GROUP  
GRUPO  
GROUPE

46/62





MOTOR DE PARTIDA  
STARTER MOTOR  
MOTOR DE ARRANQUE  
DEMARREUR

GRUPO  
GROUP 46/62  
GRUPO  
GROUPE

1 0826408

0826426

3 PRISIONEIRO

STUD

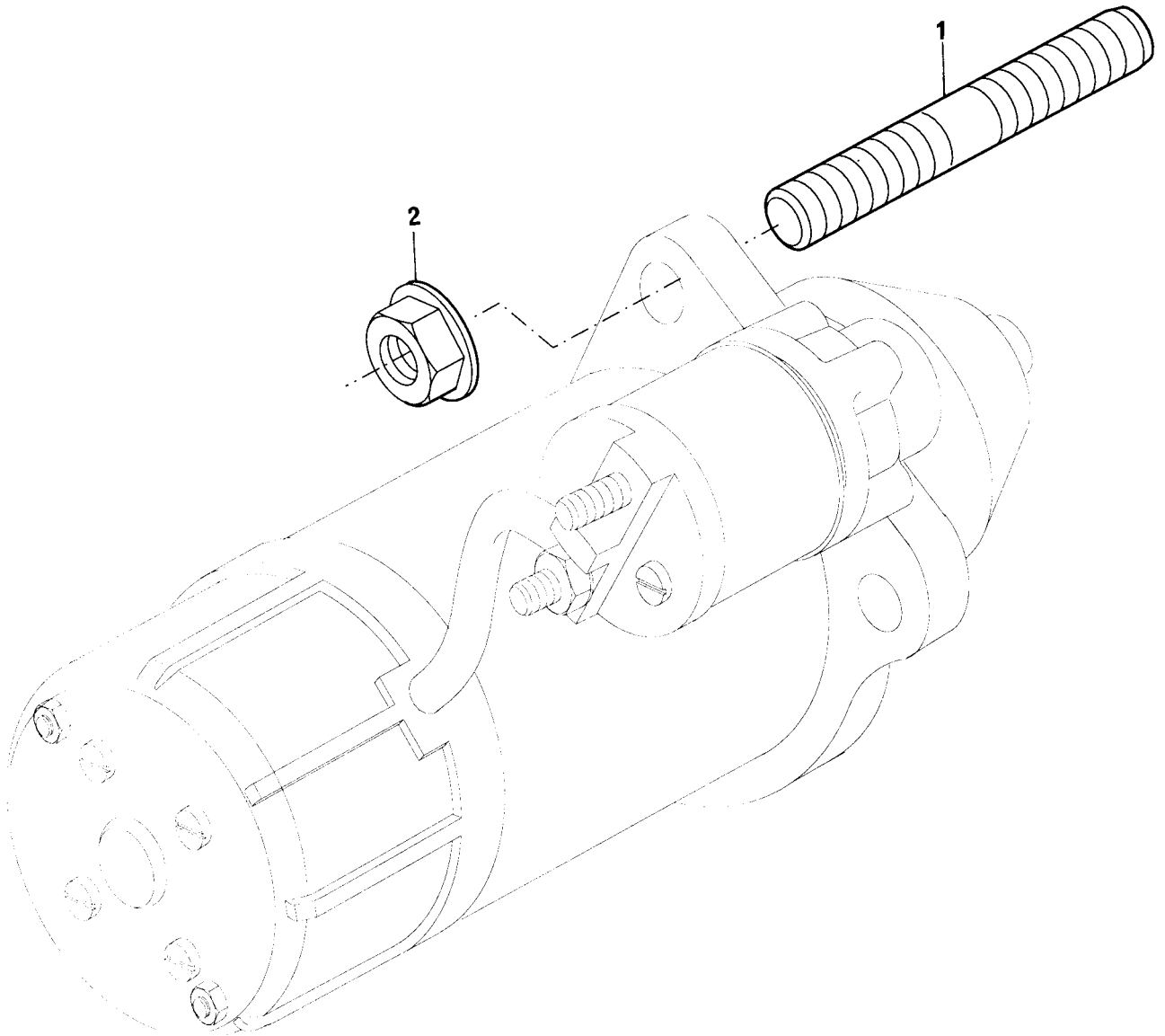
ESPÁRRAGO

GOUJON

MOTOR DE PARTIDA  
STARTER MOTOR  
MOTOR DE ARRANQUE  
DEMARREUR

GRUPO  
GROUP  
GRUPO  
GROUPE

46/74



MOTOR DE PARTIDA  
STARTER MOTOR  
MOTOR DE ARRANQUE  
DEMARREUR

GRUPO  
GROUP 46/74  
GRUPO  
GROUPE

1 0826408

2 PRISIONEIRO

STUD

ESPÁRRAGO

GOUJON

2 70570074

2 PORCA

NUT

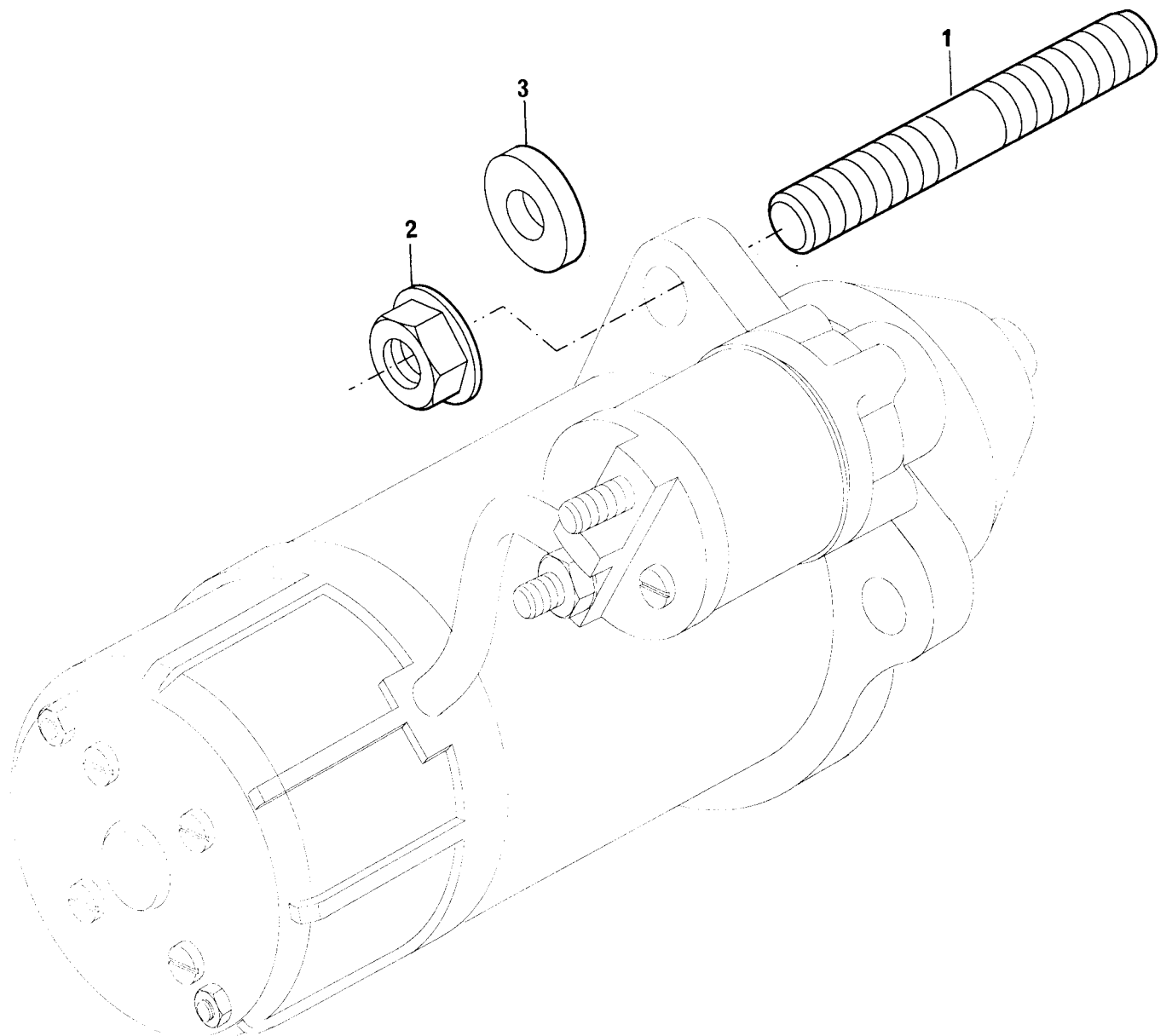
TUERCA

ÉCROU

MOTOR DE PARTIDA  
STARTER MOTOR  
MOTOR DE ARRANQUE  
DEMARREUR

GRUPO  
GROUP  
GRUPO  
GROUPE

46/75



**MOTOR DE PARTIDA  
STARTER MOTOR  
MOTOR DE ARRANQUE  
DEMARREUR**

**GRUPO  
GROUP  
GRUPO  
GROUPE** **46/75**

1 2313C079  
2 2318A604  
3 37513255

2 PRISIONEIRO  
2 PORCA  
1 ESPAÇADOR

STUD  
NUT  
SPACER

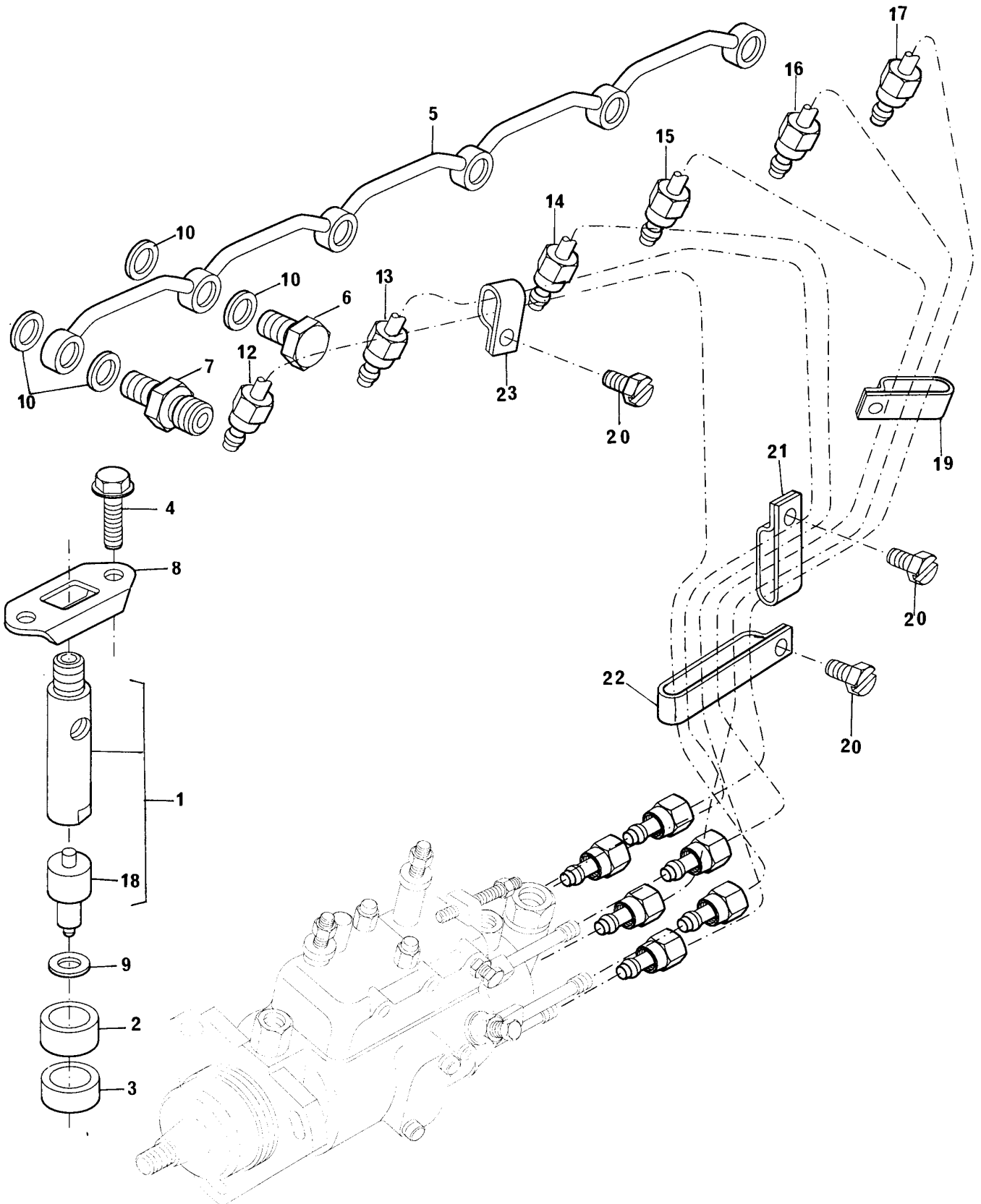
ESPÁRRAGO  
TUERCA  
ESPACIADOR

GOUJON  
ÉCROU  
ENTRETOISE

EQUIPAMENTO DE INJEÇÃO DE COMBUSTÍVEL  
FUEL INJECTION SYSTEM  
EQUIPO DE INYECCIÓN DEL COMBUSTIBLE  
SYSTEME D'INJECTION DE COMBUSTIBLE

GRUPO  
GROUP  
GRUPO  
GROUPE

48/124



**EQUIPAMENTO DE INJEÇÃO DE COMBUSTÍVEL**  
**FUEL INJECTION SYSTEM**  
**EQUIPO DE INYECCIÓN DEL COMBUSTIBLE**  
**SYSTEME D'INJECTION DE COMBUSTIBLE**

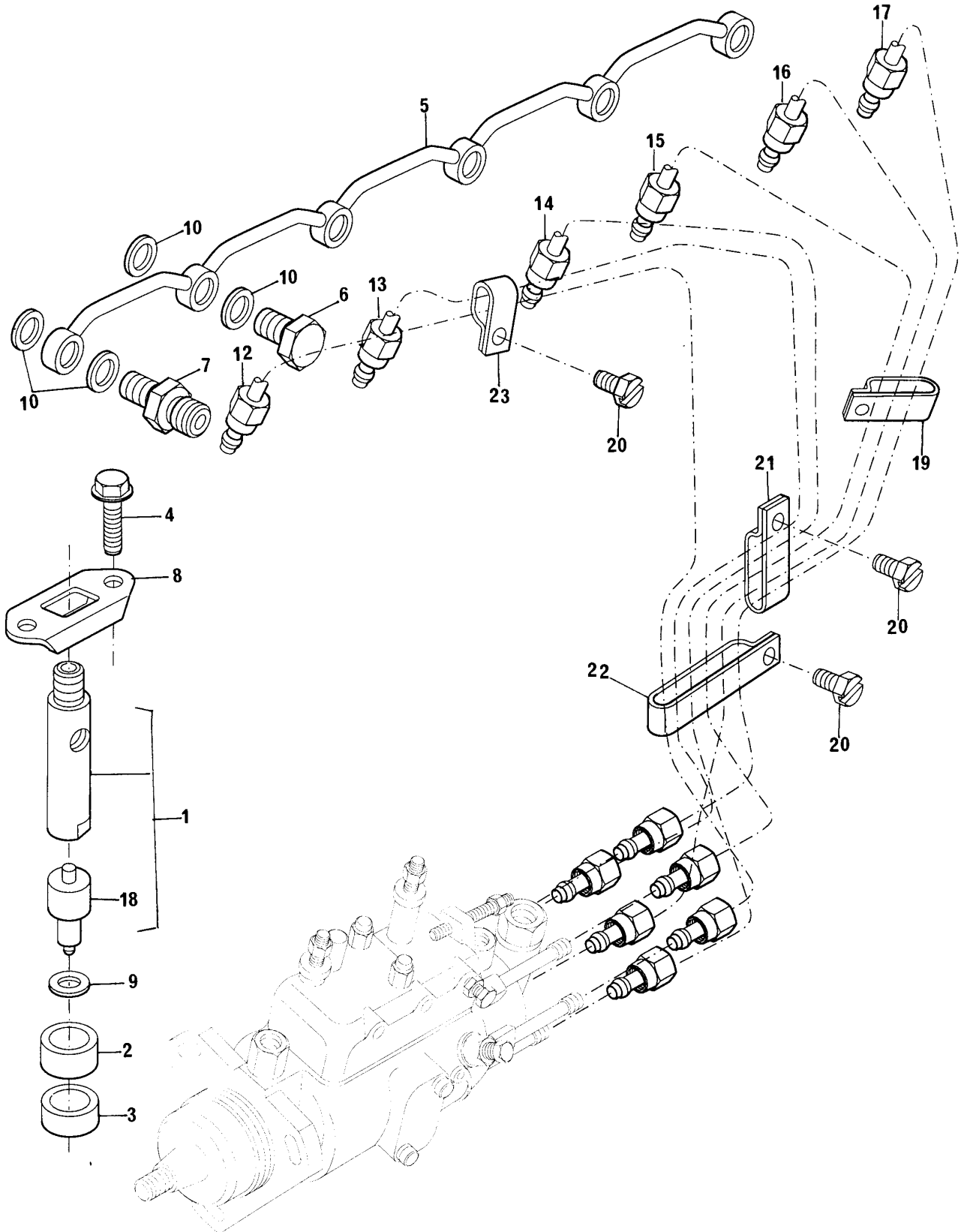
**GRUPO**  
**GROUP** 48/124  
**GRUPO**  
**GROUPE**

1	2645A020	6	CJ. INJETOR	ATOMISER ASSY	CJ. INYECTOR	CJ. INJECTEUR
2	33813129	6	ESPAÇADOR	SPACER	ESPACIADOR	ENTRETOISE
3	33813131	6	VEDADOR	SEAL	DEFLECTOR	DEFLECTEUR
4	2314H006	12	PARAFUSO	BOLT	TORNILLO	VIS
5	3558X021	1	TUBO RETORNO	PIPE	CAÑO	TUYAUTERIE
6	0095315	4	PARAFUSO BANJO	BANJO BOLT	TORNILLO BANJO	VIS BANJO
7	0201526	2	CONEXÃO	CONNECTION	CONEXIÓN	RACCORD
8	3662K002	6	PRESILHA	CLIP	SUJETADOR	AGRAFE
9	70920081	6	ARRUELA	WASHER	ARANDELA	RONDELLE
10	70920083	12	ARRUELA	WASHER	ARANDELA	RONDELLE
12	2646A175	1	TUBO CIL. 1	PIPE 1 CYL	CAÑO CIL 1	TUYAUTERIE 1
13	2646A176	1	TUBO CIL. 2	PIPE 2 CYL	CAÑO CIL 2	TUYAUTERIE 2
14	2646A177	1	TUBO CIL. 3	PIPE 3 CYL	CAÑO CIL 3	TUYAUTERIE 3
15	2646A178	1	TUBO CIL. 4	PIPE 4 CYL	CAÑO CIL 4	TUYAUTERIE 4
16	2646A179	1	TUBO CIL. 5	PIPE 5 CYL	CAÑO CIL 5	TUYAUTERIE 5
17	2646A180	1	TUBO CIL. 6	PIPE 6 CYL	CAÑO CIL 6	TUYAUTERIE 6
18	2645A608	6	BICO INJETOR	NOZZLE	TORBERA	NEZ INJECTEUR
19	2646E013	1	PRESILHA	CLIP	SUJETADOR	AGRAFE
20	2314C035	4	PARAFUSO	BOLT	TORNILLO	VIS
21	2646E015	1	PRESILHA	CLIP	SUJETADOR	AGRAFE
22	2646E016	1	PRESILHA	CLIP	SUJETADOR	AGRAFE
23	2646E012	1	PRESILHA	CLIP	SUJETADOR	AGRAFE

EQUIPAMENTO DE INJEÇÃO DE COMBUSTÍVEL  
FUEL INJECTION SYSTEM  
EQUIPO DE INYECCIÓN DEL COMBUSTIBLE  
SYSTEME D'INJECTION DE COMBUSTIBLE

GRUPO  
GROUP  
GRUPO  
GROUPE

48/125





**EQUIPAMENTO DE INJEÇÃO DE COMBUSTÍVEL**  
**FUEL INJECTION SYSTEM**  
**EQUIPO DE INYECCIÓN DEL COMBUSTIBLE**  
**SYSTEME D'INJECTION DE COMBUSTIBLE**

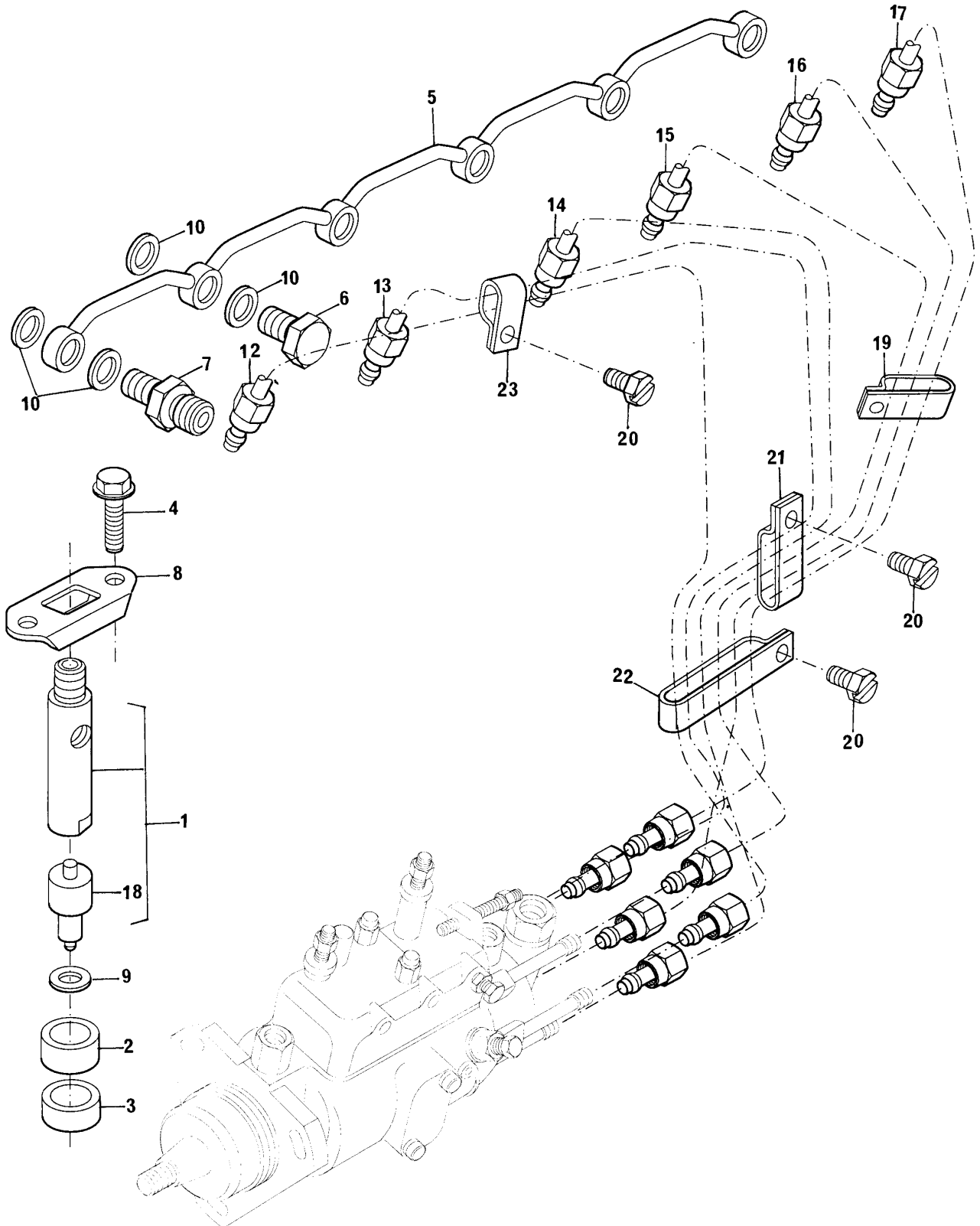
**GRUPO**  
**GROUP** 48/125  
**GRUPO**  
**GROUPE**

1	2645A021	6	CJ. INJETOR	ATOMISER ASSY	CJ. INYECTOR	CJ. INJECTEUR
2	33813129	6	ESPAÇADOR	SPACER	ESPACIADOR	ENTRETOISE
3	33813131	6	VEDADOR	SEAL	DEFLECTOR	DEFLECTEUR
4	2314H006	12	PARAFUSO	BOLT	TORNILLO	VIS
5	3558X021	1	TUBO RETORNO	PIPE	CAÑO	TUYAUTERIE
6	0095315	3	PARAFUSO BANJO	BANJO BOLT	TORNILLO BANJO	VIS BANJO
7	0201526	3	CONEXÃO	CONNECTION	CONEXIÓN	RACCORD
8	3662K002	6	PRESILHA	CLIP	SUJETADOR	AGRAFE
9	70920081	6	ARRUELA	WASHER	ARANDELA	RONDELLE
10	70920083	12	ARRUELA	WASHER	ARANDELA	RONDELLE
12	2646A157	1	TUBO CIL. 1	PIPE 1 CYL	CAÑO CIL 1	TUYAUTERIE 1
13	2646A158	1	TUBO CIL. 2	PIPE 2 CYL	CAÑO CIL 2	TUYAUTERIE 2
14	2646A159	1	TUBO CIL. 3	PIPE 3 CYL	CAÑO CIL 3	TUYAUTERIE 3
15	2646A160	1	TUBO CIL. 4	PIPE 4 CYL	CAÑO CIL 4	TUYAUTERIE 4
16	2646A161	1	TUBO CIL. 5	PIPE 5 CYL	CAÑO CIL 5	TUYAUTERIE 5
17	2646A162	1	TUBO CIL. 6	PIPE 6 CYL	CAÑO CIL 6	TUYAUTERIE 6
18	2645A606	6	BICO INJETOR	NOZZLE	TORBERA	NEZ INJECTEUR
19	2646E013	1	PRESILHA	CLIP	SUJETADOR	AGRAFE
20	2314C035	4	PARAFUSO	BOLT	TORNILLO	VIS
21	2646E015	1	PRESILHA	CLIP	SUJETADOR	AGRAFE
22	2646E016	1	PRESILHA	CLIP	SUJETADOR	AGRAFE
23	2646E012	1	PRESILHA	CLIP	SUJETADOR	AGRAFE

EQUIPAMENTO DE INJEÇÃO DE COMBUSTÍVEL  
FUEL INJECTION SYSTEM  
EQUIPO DE INYECCIÓN DEL COMBUSTIBLE  
SYSTEME D'INJECTION DE COMBUSTIBLE

GRUPO  
GROUP  
GRUPO  
GROUPE

48/126



**EQUIPAMENTO DE INJEÇÃO DE COMBUSTÍVEL**  
**FUEL INJECTION SYSTEM**  
**EQUIPO DE INYECCIÓN DEL COMBUSTIBLE**  
**SYSTEME D'INJECTION DE COMBUSTIBLE**

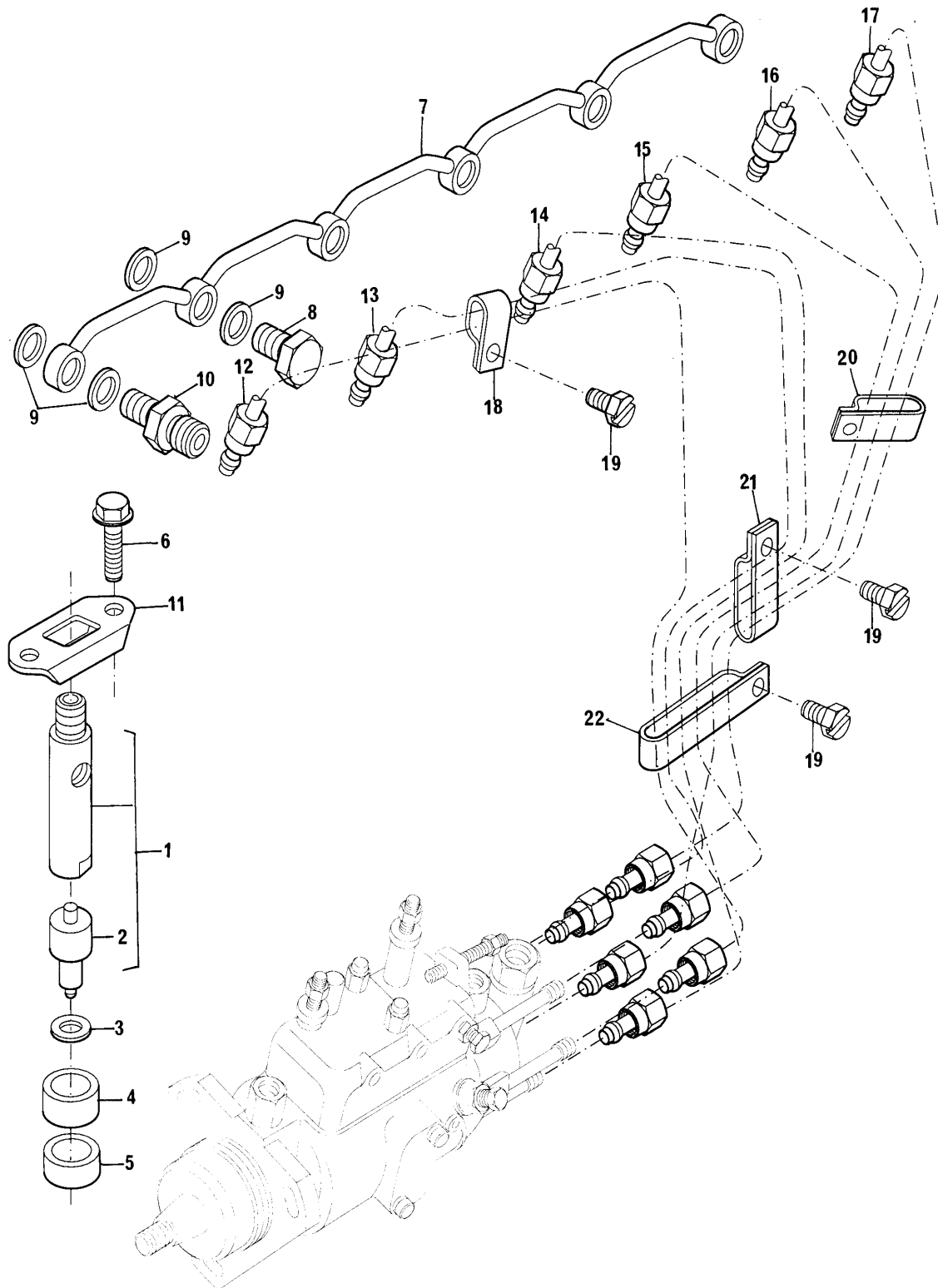
**GRUPO**  
**GROUP** 48/126  
**GRUPO**  
**GROUPE**

1	2645A032	6	CJ. INJETOR	ATOMISER ASSY	CJ. INYECTOR	CJ. INJECTEUR
2	33813129	6	ESPAÇADOR	SPACER	ESPACIADOR	ENTRETOISE
3	33813131	6	VEDADOR	SEAL	DEFLECTOR	DEFLECTEUR
4	2314H006	12	PARAFUSO	BOLT	TORNILLO	VIS
5	3558X021	1	TUBO RETORNO	PIPE	CAÑO	TUYAUTERIE
6	0095315	3	PARAFUSO BANJO	BANJO BOLT	TORNILLO BANJO	VIS BANJO
7	0201526	3	CONEXÃO	CONNECTION	CONEXIÓN	RACCORD
8	3662K002	6	PRESILHA	CLIP	SUJETADOR	AGRAFE
9	70920081	6	ARRUELA	WASHER	ARANDELA	RONDELLE
10	70920083	12	ARRUELA	WASHER	ARANDELA	RONDELLE
12	2646A175	1	TUBO CIL. 1	PIPE 1 CYL	CAÑO CIL 1	TUYAUTERIE 1
13	2646A176	1	TUBO CIL. 2	PIPE 2 CYL	CAÑO CIL 2	TUYAUTERIE 2
14	2646A177	1	TUBO CIL. 3	PIPE 3 CYL	CAÑO CIL 3	TUYAUTERIE 3
15	2646A178	1	TUBO CIL. 4	PIPE 4 CYL	CAÑO CIL 4	TUYAUTERIE 4
16	2646A179	1	TUBO CIL. 5	PIPE 5 CYL	CAÑO CIL 5	TUYAUTERIE 5
17	2646A180	1	TUBO CIL. 6	PIPE 6 CYL	CAÑO CIL 6	TUYAUTERIE 6
18	2645A617	6	BICO INJETOR	NOZZLE	TORBERA	NEZ INJECTEUR
19	2646E013	1	PRESILHA	CLIP	SUJETADOR	AGRAFE
20	2314C035	4	PARAFUSO	BOLT	TORNILLO	VIS
21	2646E015	1	PRESILHA	CLIP	SUJETADOR	AGRAFE
22	2646E016	1	PRESILHA	CLIP	SUJETADOR	AGRAFE
23	2646E012	1	PRESILHA	CLIP	SUJETADOR	AGRAFE

EQUIPAMENTO DE INJEÇÃO DE COMBUSTÍVEL  
 FUEL INJECTION SYSTEM  
 EQUIPO DE INYECCIÓN DEL COMBUSTIBLE  
 SYSTEME D'INJECTION DE COMBUSTIBLE

GRUPO  
 GROUP  
 GRUPO  
 GROUPE

48/134



EQUIPAMENTO DE INJEÇÃO DE COMBUSTÍVEL  
FUEL INJECTION SYSTEM  
EQUIPO DE INYECCIÓN DEL COMBUSTIBLE  
SYSTEME D'INJECTION DE COMBUSTIBLE

GRUPO  
GROUP  
GRUPO  
GROUPE

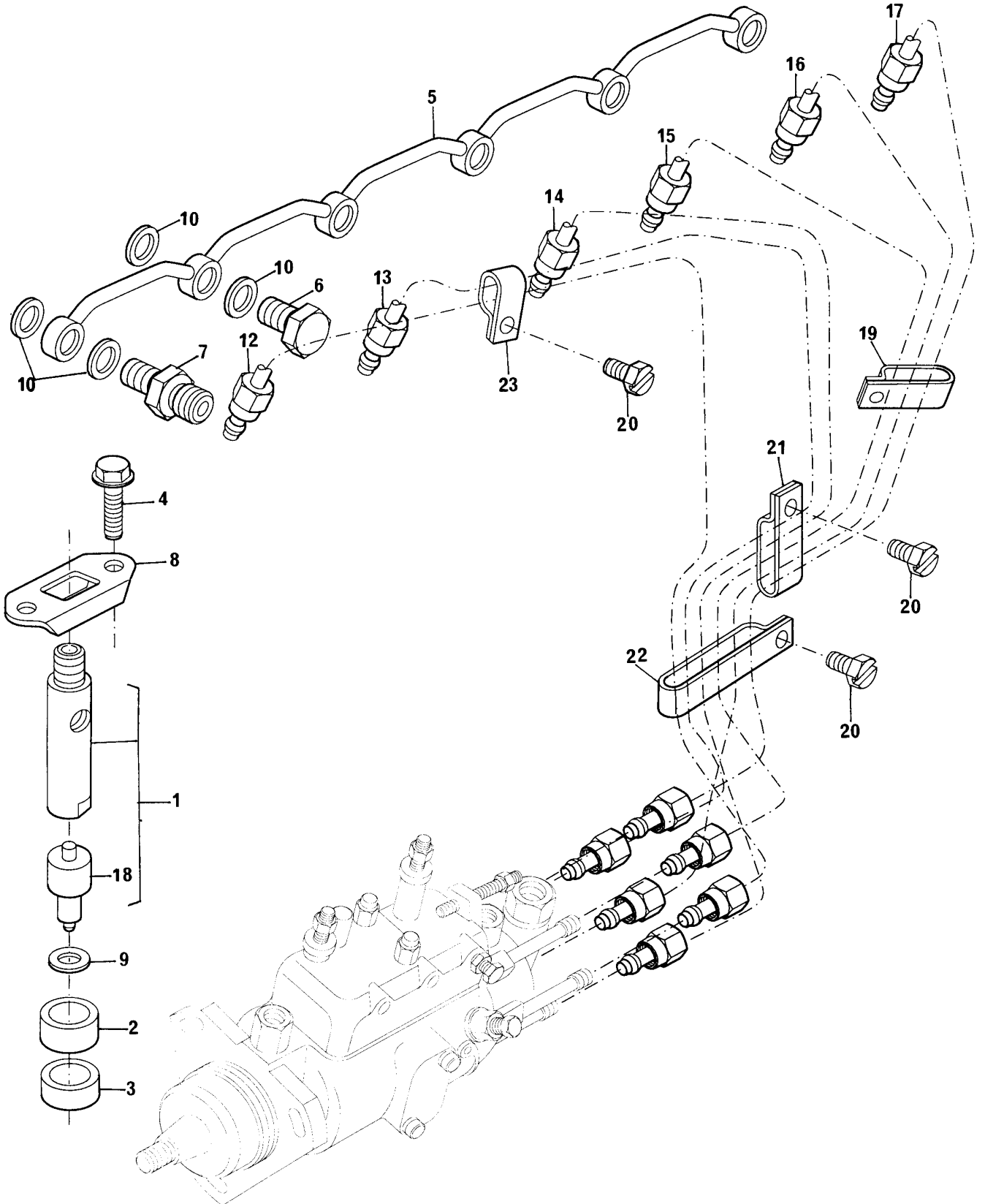
48/134

1	2645A031		6	CJ. INJETOR	ATOMISER ASSY	CJ. INYECTOR	CJ. INJECTEUR
2	2645A616	1	6	BICO INJETOR	NOZZLE	TOBERA	NEZ-INJECTEUR
3	70920081		6	ARRUELA	WASHER	ARANDELA	RONDELLE
4	33813129		6	ESPAÇADOR	SPACER	ESPACIADOR	ENTRETOISE
5	33813131		6	VEDADOR	SEAL	DEFLECTOR	DEFLECTEUR
6	2314H006		12	PARAFUSO	BOLT	TORNILLO	VIS
7	3558X021		1	TUBO RETORNO	PIPE	CAÑO	TUYAUTERIE
8	0095315		3	PARAFUSO BANJO	BANJO BOLT	TORNILLO BANJO	VIS BANJO
9	70920083		12	ARRUELA	WASHER	ARANDELA	RONDELLE
10	0201526		3	CONEXÃO	CONNECTION	CONEXIÓN	RACCORD
11	3662K002		6	PRESILHA	CLIP	SUJETADOR	AGRAFE
12	2646A151		1	TUBO CIL. 1	PIPE 1 CYL	CAÑO CIL 1	TUYAUTERIE 1
13	2646A152		1	TUBO CIL. 2	PIPE 2 CYL	CAÑO CIL 2	TUYAUTERIE 2
14	2646A153		1	TUBO CIL. 3	PIPE 3 CYL	CAÑO CIL 3	TUYAUTERIE 3
15	2646A154		1	TUBO CIL. 4	PIPE 4 CYL	CAÑO CIL 4	TUYAUTERIE 4
16	2646A155		1	TUBO CIL. 5	PIPE 5 CYL	CAÑO CIL 5	TUYAUTERIE 5
17	2646A156		1	TUBO CIL. 6	PIPE 6 CYL	CAÑO CIL 6	TUYAUTERIE 6
18	2646E012		1	PRESILHA	CLIP	SUJETADOR	AGRAFE
19	2314C035		4	PARAFUSO	BOLT	TORNILLO	VIS
20	2646E013		1	PRESILHA	CLIP	SUJETADOR	AGRAFE
21	2646E015		1	PRESILHA	CLIP	SUJETADOR	AGRAFE
22	2646E016		1	PRESILHA	CLIP	SUJETADOR	AGRAFE

EQUIPAMENTO DE INJEÇÃO DE COMBUSTÍVEL  
FUEL INJECTION SYSTEM  
EQUIPO DE INYECCIÓN DEL COMBUSTIBLE  
SYSTEME D'INJECTION DE COMBUSTIBLE

GRUPO  
GROUP  
GRUPO  
GROUPE

48/138



**EQUIPAMENTO DE INJEÇÃO DE COMBUSTÍVEL**  
**FUEL INJECTION SYSTEM**  
**EQUIPO DE INYECCIÓN DEL COMBUSTIBLE**  
**SYSTEME D'INJECTION DE COMBUSTIBLE**

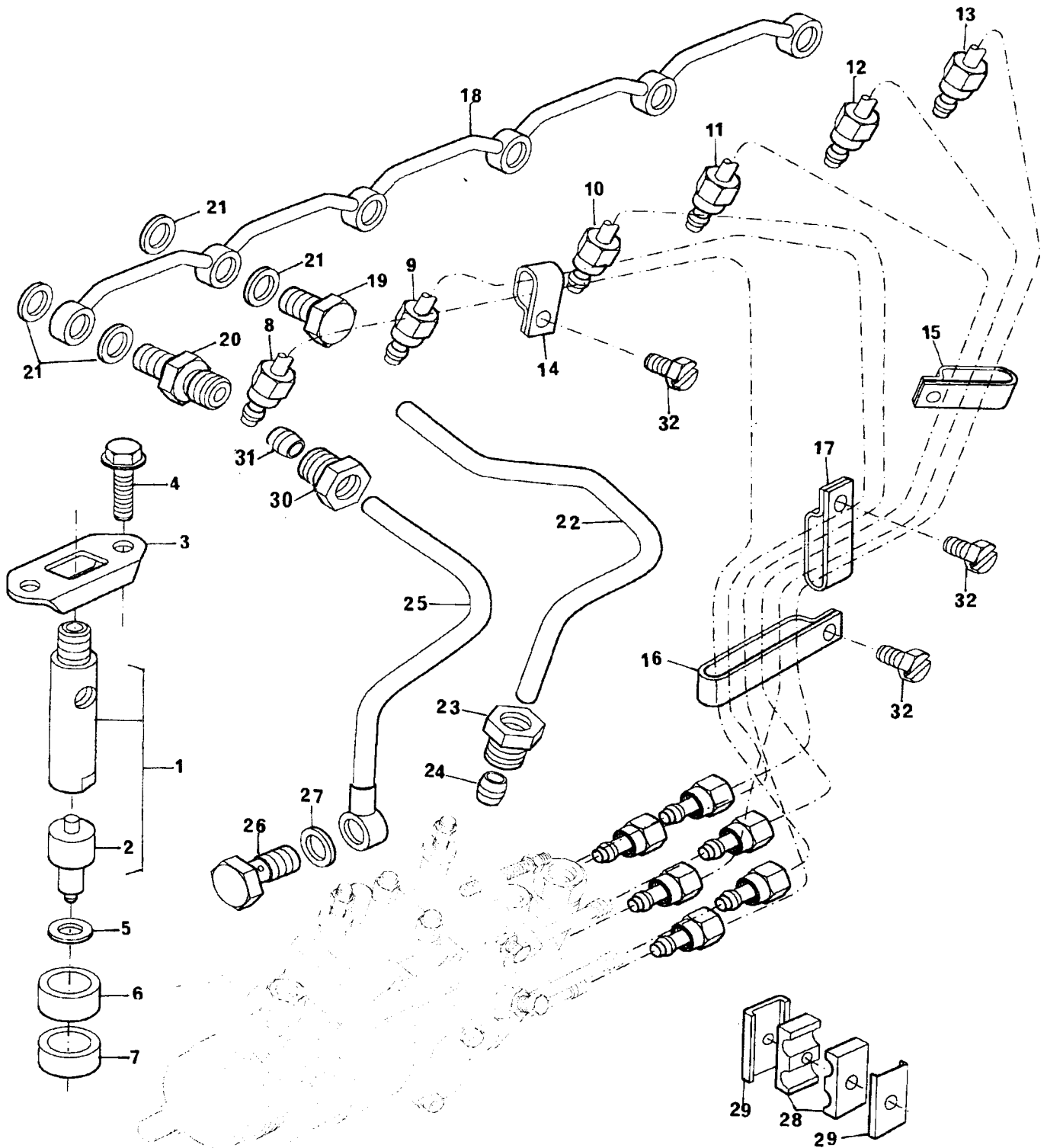
**GRUPO**  
**GROUP** 48/138  
**GRUPO**  
**GROUPE**

1	2645L013	6	CJ. INJETOR	ATOMISER ASSY	CJ. INYECTOR	CJ. INJECTEUR
2	33813129	6	ESPAÇADOR	SPACER	ESPACIADOR	ENTRETOISE
3	33813131	6	VEDADOR	SEAL	DEFLECTOR	DEFLECTEUR
4	2314H006	12	PARAFUSO	BOLT	TORNILLO	VIS
5	3558X021	1	TUBO RETORNO	PIPE	CAÑO	TUYAUTERIE
6	0095315	3	PARAFUSO BANJO	BANJO BOLT	TORNILLO BANJO	VIS BANJO
7	0201526	3	CONEXÃO	CONNECTION	CONEXIÓN	RACCORD
8	3662K002	6	PRESILHA	CLIP	SUJETADOR	AGRAFE
9	70920081	6	ARRUELA	WASHER	ARANDELA	RONDELLE
10	70920083	12	ARRUELA	WASHER	ARANDELA	RONDELLE
12	3522N014	1	TUBO CIL. 1	PIPE 1 CYL	CAÑO CIL 1	TUYAUTERIE 1
13	3522N015	1	TUBO CIL. 2	PIPE 2 CYL	CAÑO CIL 2	TUYAUTERIE 2
14	3522N016	1	TUBO CIL. 3	PIPE 3 CYL	CAÑO CIL 3	TUYAUTERIE 3
15	3522N017	1	TUBO CIL. 4	PIPE 4 CYL	CAÑO CIL 4	TUYAUTERIE 4
16	3522N018	1	TUBO CIL. 5	PIPE 5 CYL	CAÑO CIL 5	TUYAUTERIE 5
17	3522N019	1	TUBO CIL. 6	PIPE 6 CYL	CAÑO CIL 6	TUYAUTERIE 6
18	2645L612	6	BICO INJETOR	NOZZLE	TORBERA	NEZ INJECTEUR
19	2646E076	1	PRESILHA	CLIP	SUJETADOR	AGRAFE
20	2646E152	4	PARAFUSO	BOLT	TORNILLO	VIS
21	2646E075	1	PRESILHA	CLIP	SUJETADOR	AGRAFE
22	2646E073	1	PRESILHA	CLIP	SUJETADOR	AGRAFE
23	2646E072	1	PRESILHA	CLIP	SUJETADOR	AGRAFE

EQUIPAMENTO DE INJEÇÃO DE COMBUSTÍVEL  
FUEL INJECTION SYSTEM  
EQUIPO DE INYECCIÓN DEL COMBUSTIBLE  
SYSTEME D'INJECTION DE COMBUSTIBLE

GRUPO  
GROUP  
GRUPO  
GROUPE

48/167





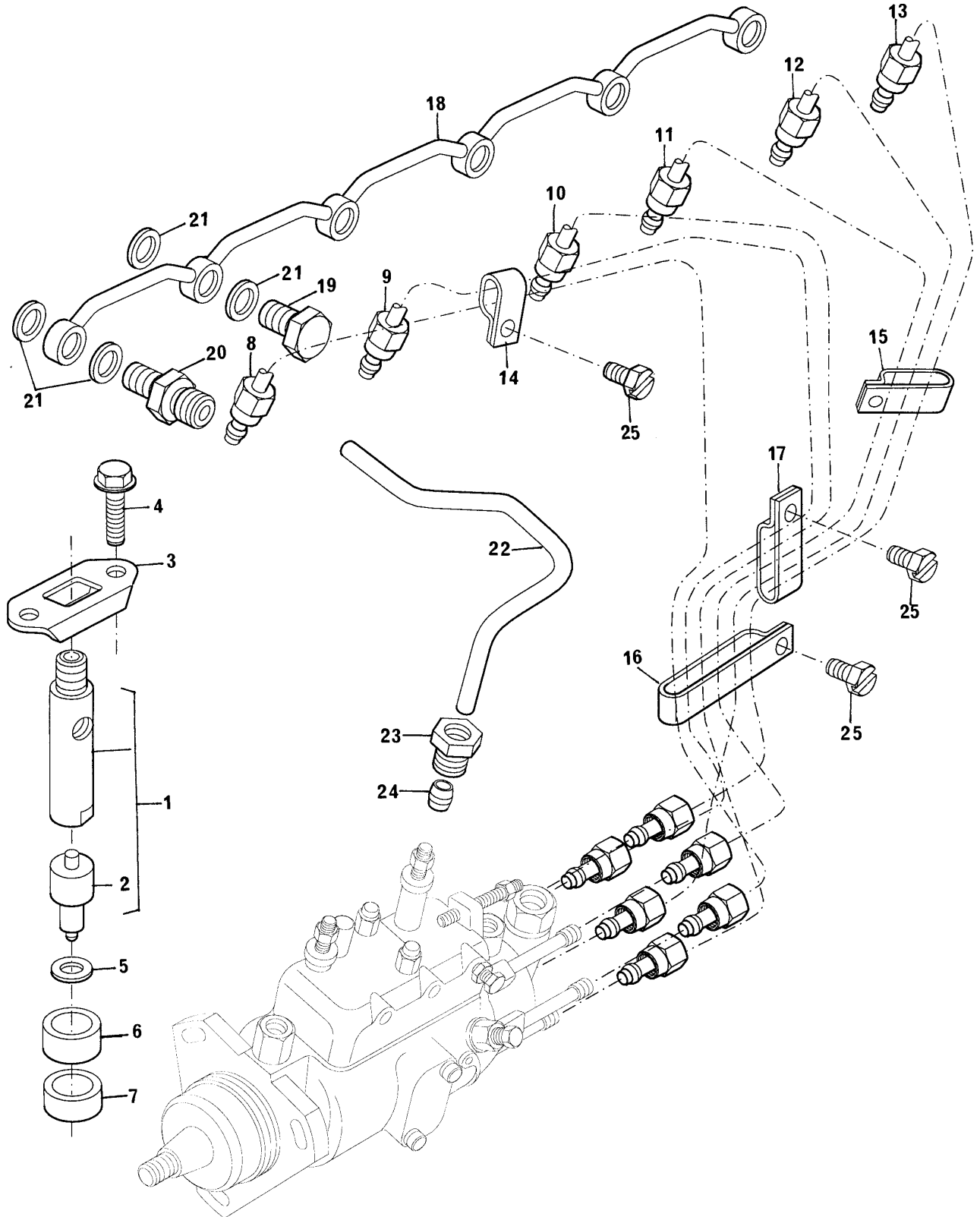
**EQUIPAMENTO DE INJEÇÃO DE COMBUSTÍVEL**  
**FUEL INJECTION SYSTEM**  
**EQUIPO DE INYECCIÓN DEL COMBUSTIBLE**  
**SYSTEME D'INJECTION DE COMBUSTIBLE**

**GRUPO**  
**GROUP** 48/167  
**GRUPO**  
**GROUPE**

1	2645A021		6	CJ. INJETOR	ATOMISER ASSY	CJ. INYECTOR	CJ. INJECTEUR
2	2645A606	1	6	BICO INJETOR	NOZZLE	TOBERA	NEZ-INJECTEUR
3	3662K002		6	PLACA	PLATE	PLACA	PLAQUE
4	2314H006	M8X35	12	PARAFUSO	BOLT	TORNILLO	VIS
5	70920081		6	ARRUELA	WASHER	ARANDELA	RONDELLE
6	33813129		6	ESPAÇADOR	SPACER	ESPACIADOR	ENTRETOISE
7	33813131		6	VEDADOR	SEAL	DEFLECTOR	DEFLECTEUR
8	3521P062		1	TUBO CIL. 1	PIPE 1 CYL	CAÑO CIL 1	TUYAUTERIE 1
9	3521P063		1	TUBO CIL. 2	PIPE 2 CYL	CAÑO CIL 2	TUYAUTERIE 2
10	3521P064		1	TUBO CIL. 3	PIPE 3 CYL	CAÑO CIL 3	TUYAUTERIE 3
11	3521P065		1	TUBO CIL. 4	PIPE 4 CYL	CAÑO CIL 4	TUYAUTERIE 4
12	3521P066		1	TUBO CIL. 5	PIPE 5 CYL	CAÑO CIL 5	TUYAUTERIE 5
13	3521P067		1	TUBO CIL. 6	PIPE 6 CYL	CAÑO CIL 6	TUYAUTERIE 6
14	2646E006		1	PRESILHA	CLIP	SUJETADOR	AGRAFE
15	2646E007		1	PRESILHA	CLIP	SUJETADOR	AGRAFE
16	2646E009		1	PRESILHA	CLIP	SUJETADOR	AGRAFE
17	2646E010		1	PRESILHA	CLIP	SUJETADOR	AGRAFE
18	3558X021		1	TUBO RETORNO	PIPE	CAÑO	TUYAUTERIE
19	0095315		3	PARAFUSO BANJO	BANJO BOLT	TORNILLO BANJO	VISBANJO
20	0201526		3	CONEXÃO	CONNECTION	CONEXIÓN	RACCORD
21	70920083		12	ARRUELA	WASHER	ARANDELA	RONDELLE
22	4121C017		1	TUBO	PIPE	CAÑO	TUYAUTERIE
23	33225412		2	PORCA	NUT	TUERCA	ÉCROU
24	33811112		2	OLIVA	OLIVE	OLIVA	OLIVE
25	4124E041		1	TUBO	PIPE	CAÑO	TUYAUTERIE
26	32184422		1	PARAFUSO BANJO	BANJO BOLT	TORNILLO BANJO	VIS BANJO
27	70920114		2	ARRUELA	WASHER	ARANDELA	RONDELLE
28	70600001		2	ALMOFADA	DAMPER	AMORTIGUADOR	AMORTISSEUR
29	2481D302		2	PRESILHA	CLIP	SUJETADOR	AGRAFE
30	0576111		1	PORCA	NUT	TUERCA	ÉCROU
31	0566002		1	OLIVA	OLIVE	OLIVA	OLIVE
32	2314C035		4	PARAFUSO	BOLT	TORNILLO	VIS

EQUIPAMENTO DE INJEÇÃO DE COMBUSTÍVEL  
FUEL INJECTION SYSTEM  
EQUIPO DE INYECCIÓN DEL COMBUSTIBLE  
SYSTEME D'INJECTION DE COMBUSTIBLE

GRUPO  
GROUP 48/168  
GRUPO  
GROUPE



**EQUIPAMENTO DE INJEÇÃO DE COMBUSTÍVEL**  
**FUEL INJECTION SYSTEM**  
**EQUIPO DE INYECCIÓN DEL COMBUSTIBLE**  
**SYSTEME D'INJECTION DE COMBUSTIBLE**

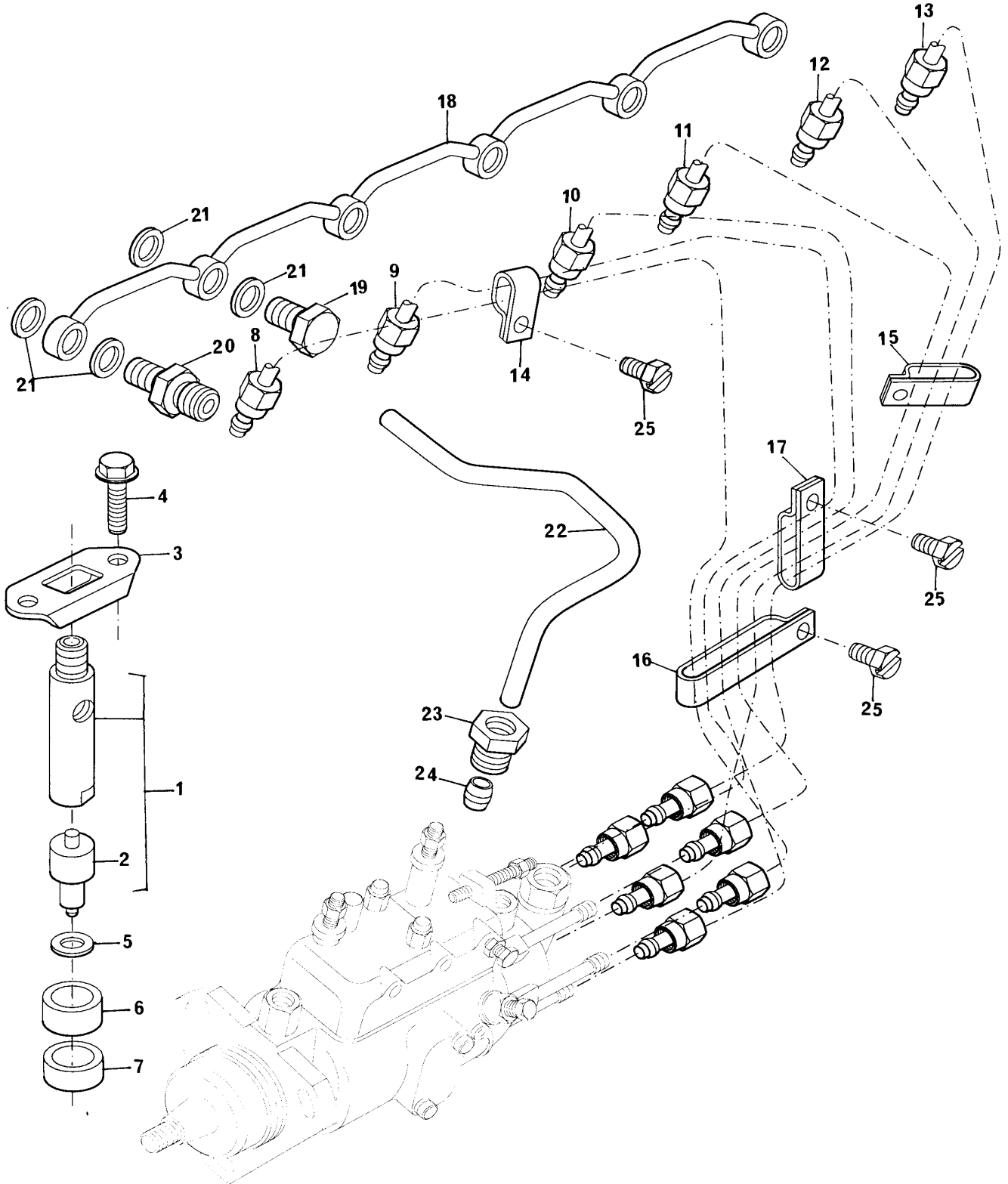
**GRUPO**  
**GROUP** 48/168  
**GRUPO**  
**GROUPE**

1	2645A031		6	CJ. INJETOR	ATOMISER ASSY	CJ. INYECTOR	CJ. INJECTEUR
2	2645A616	1	6	BICO INJETOR	NOZZLE	TOBERA	NEZ-INJECTEUR
3	3662K002		6	PLACA	PLATE	PLACA	PLAQUE
4	2314H006	M8X35	12	PARAFUSO	BOLT	TORNILLO	VIS
5	70920081		6	ARRUELA	WASHER	ARANDELA	RONDELLE
6	33813129		6	ESPAÇADOR	SPACER	ESPACIADOR	ENTRETOISE
7	33813131		6	VEDADOR	SEAL	DEFLECTOR	DEFLECTEUR
8	3522N021		1	TUBO CIL. 1	PIPE 1 CYL	CAÑO CIL 1	TUYAUTERIE 1
9	3522N022		1	TUBO CIL. 2	PIPE 2 CYL	CAÑO CIL 2	TUYAUTERIE 2
10	3522N023		1	TUBO CIL. 3	PIPE 3 CYL	CAÑO CIL 3	TUYAUTERIE 3
11	3522N024		1	TUBO CIL. 4	PIPE 4 CYL	CAÑO CIL 4	TUYAUTERIE 4
12	3522N025		1	TUBO CIL. 5	PIPE 5 CYL	CAÑO CIL 5	TUYAUTERIE 5
13	3522N026		1	TUBO CIL. 6	PIPE 6 CYL	CAÑO CIL 6	TUYAUTERIE 6
14	2646E006		1	PRESILHA	CLIP	SUJETADOR	AGRAFE
15	2646E007		1	PRESILHA	CLIP	SUJETADOR	AGRAFE
16	2646E009		1	PRESILHA	CLIP	SUJETADOR	AGRAFE
17	2646E010		1	PRESILHA	CLIP	SUJETADOR	AGRAFE
18	3558X021		1	TUBO RETORNO	PIPE	CAÑO	TUYAUTERIE
19	0095315		4	PARAFUSO BANJO	BANJO BOLT	TORNILLO BANJO	VISBANJO
20	0201526		2	CONEXÃO	CONNECTION	CONEXIÓN	RACCORD
21	70920083		12	ARRUELA	WASHER	ARANDELA	RONDELLE
22	4121C021		1	TUBO	PIPE	CAÑO	TUYAUTERIE
23	33225412		2	PORCA	NUT	TUERCA	ÉCROU
24	33811112		2	OLIVA	OLIVE	OLIVA	OLIVE
25	2314C035		4	PARAFUSO	BOLT	TORNILLO	VIS

EQUIPAMENTO DE INJEÇÃO DE COMBUSTÍVEL  
FUEL INJECTION SYSTEM  
EQUIPO DE INYECCIÓN DEL COMBUSTIBLE  
SYSTEME D'INJECTION DE COMBUSTIBLE

GRUPO  
GROUP  
GRUPO  
GROUPE

48/171



**EQUIPAMENTO DE INJEÇÃO DE COMBUSTÍVEL**  
**FUEL INJECTION SYSTEM**  
**EQUIPO DE INYECCIÓN DEL COMBUSTIBLE**  
**SYSTEME D'INJECTION DE COMBUSTIBLE**

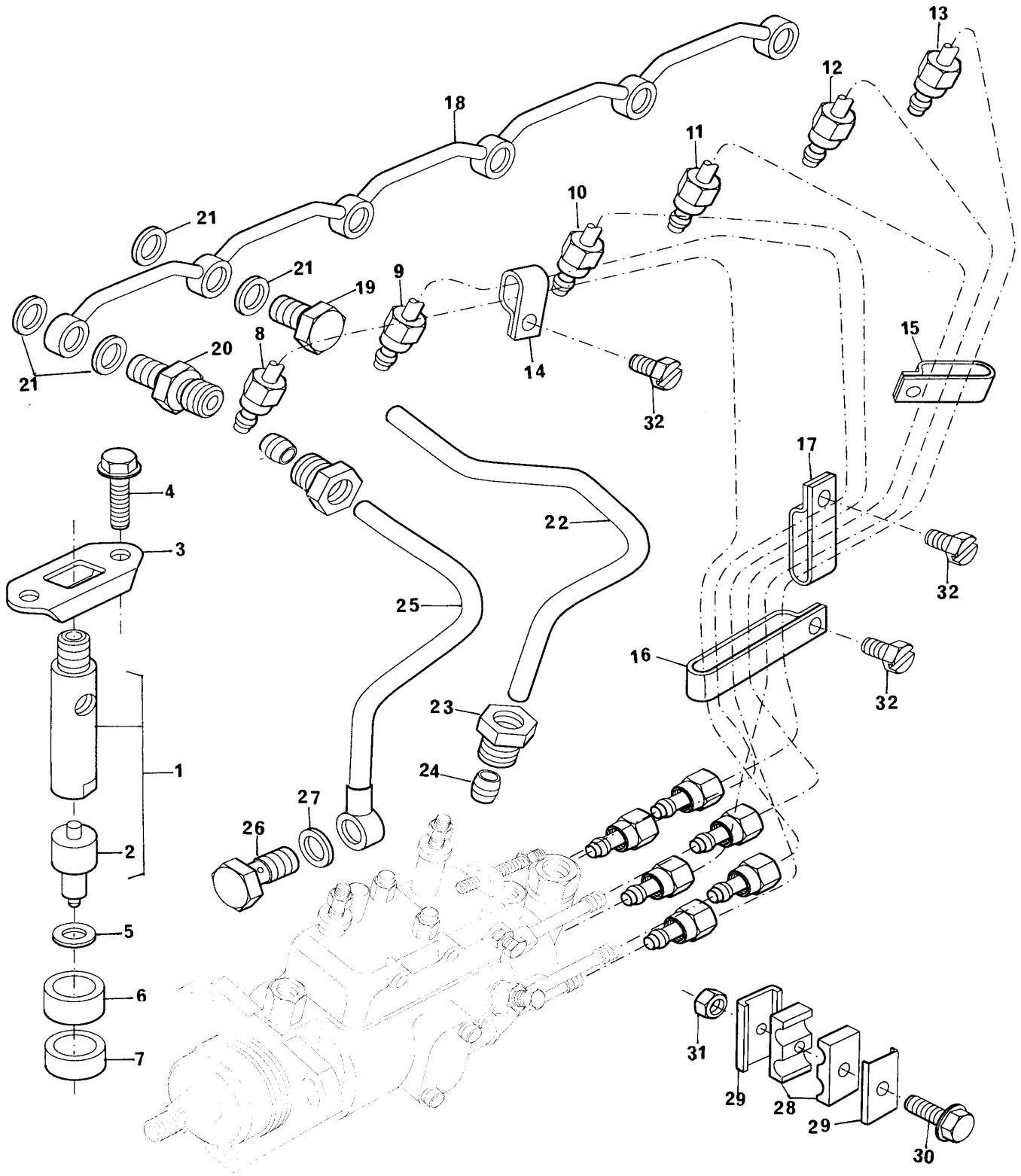
**GRUPO**  
**GROUP** 48/171  
**GRUPO**  
**GRUPE**

1	2645A020		6	CJ. INJETOR	ATOMISER ASSY	CJ. INYECTOR	CJ. INJECTEUR
2	2645A608	1	6	BICO INJETOR	NOZZLE	TOBERA	NEZ-INJECTEUR
3	3662K002		6	PLACA	PLATE	PLACA	PLAQUE
4	2314H006	M8X35	12	PARAFUSO	BOLT	TORNILLO	VIS
5	70920081		6	ARRUELA	WASHER	ARANDELA	RONDELLE
6	33813129		6	ESPAÇADOR	SPACER	ESPACIADOR	ENTRETOISE
7	33813131		6	VEDADOR	SEAL	DEFLECTOR	DEFLECTEUR
8	3522N034		1	TUBO CIL. 1	PIPE 1 CYL	CAÑO CIL 1	TUYAUTERIE 1
9	3522N035		1	TUBO CIL. 2	PIPE 2 CYL	CAÑO CIL 2	TUYAUTERIE 2
10	3522N036		1	TUBO CIL. 3	PIPE 3 CYL	CAÑO CIL 3	TUYAUTERIE 3
11	3522N037		1	TUBO CIL. 4	PIPE 4 CYL	CAÑO CIL 4	TUYAUTERIE 4
12	3522N038		1	TUBO CIL. 5	PIPE 5 CYL	CAÑO CIL 5	TUYAUTERIE 5
13	3522N039		1	TUBO CIL. 6	PIPE 6 CYL	CAÑO CIL 6	TUYAUTERIE 6
14	2646E006		1	PRESILHA	CLIP	SUJETADOR	AGRAFE
15	2646E007		1	PRESILHA	CLIP	SUJETADOR	AGRAFE
16	2646E009		1	PRESILHA	CLIP	SUJETADOR	AGRAFE
17	2646E010		1	PRESILHA	CLIP	SUJETADOR	AGRAFE
18	3558X021		1	TUBO RETORNO	PIPE	CAÑO	TUYAUTERIE
19	0095315		4	PARAFUSO BANJO	BANJO BOLT	TORNILLO BANJO	VISBANJO
20	0201526		2	CONEXÃO	CONNECTION	CONEXIÓN	RACCORD
21	70920083		12	ARRUELA	WASHER	ARANDELA	RONDELLE
22	4121C021		1	TUBO	PIPE	CAÑO	TUYAUTERIE
23	33225412		1	PORCA	NUT	TUERCA	ÉCROU
24	33811112		1	OLIVA	OLIVE	OLIVA	OLIVE
25	2314C035		4	PARAFUSO	BOLT	TORNILLO	VIS

EQUIPAMENTO DE INJEÇÃO DE COMBUSTÍVEL  
FUEL INJECTION SYSTEM  
EQUIPO DE INYECCIÓN DEL COMBUSTIBLE  
SYSTEME D'INJECTION DE COMBUSTIBLE

GRUPO  
GROUP  
GRUPO  
GROUPE

48/182



**EQUIPAMENTO DE INJEÇÃO DE COMBUSTÍVEL**  
**FUEL INJECTION SYSTEM**  
**EQUIPO DE INYECCIÓN DEL COMBUSTIBLE**  
**SYSTEME D'INJECTION DE COMBUSTIBLE**

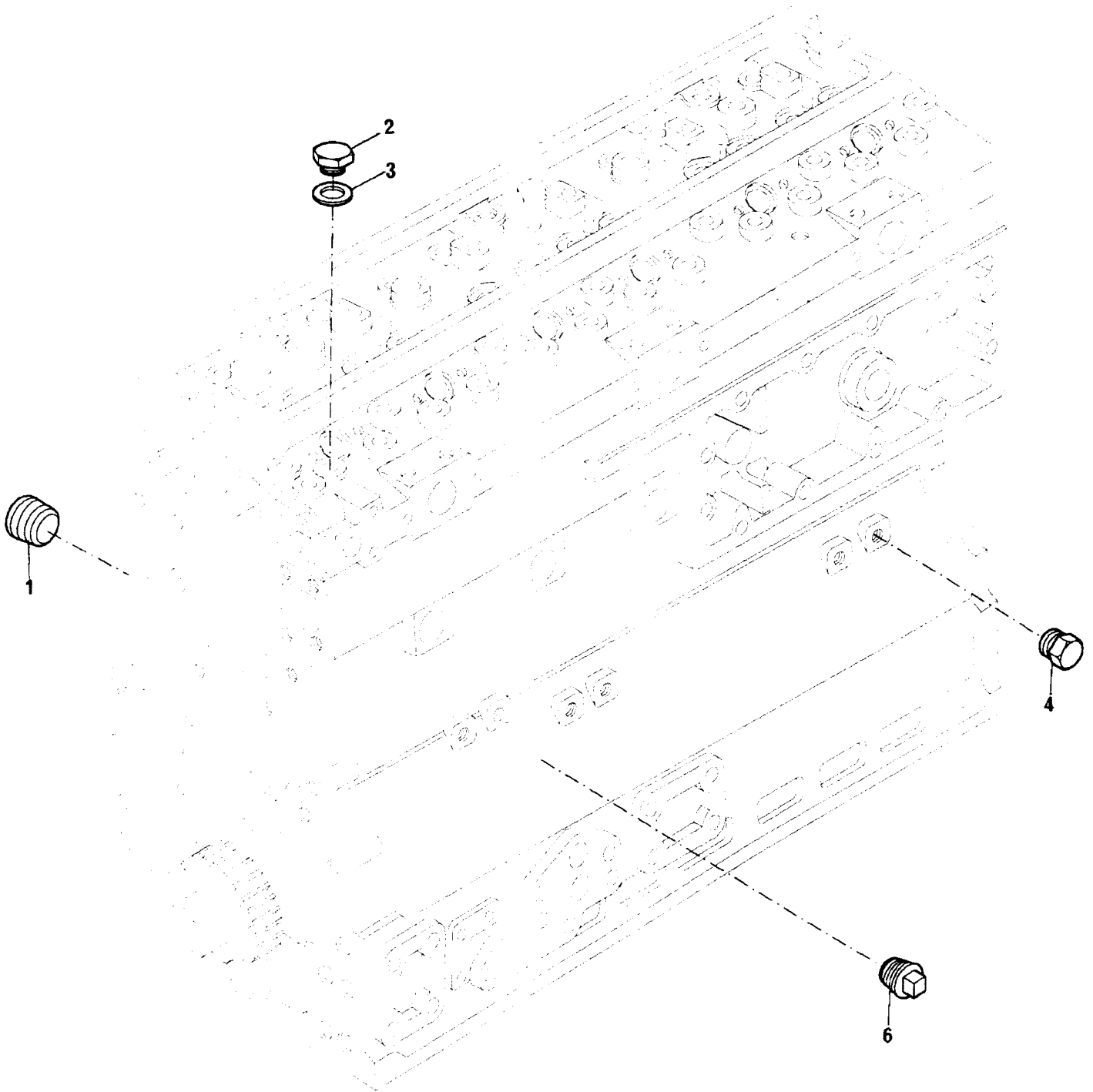
**GRUPO**  
**GROUP** 48/182  
**GRUPO**  
**GROUPE**

1	2645A021		6	CJ. INJETOR	ATOMISER ASSY	CJ. INYECTOR	CJ. INJECTEUR
2	2645A606	1	6	BICO INJETOR	NOZZLE	TOBERA	NEZ-INJECTEUR
3	3662K002		6	PLACA	PLATE	PLACA	PLAQUE
4	2314H006	M8X35	12	PARAFUSO	BOLT	TORNILLO	VIS
5	70920081		6	ARRUELA	WASHER	ARANDELA	RONDELLE
6	33813129		6	ESPAÇADOR	SPACER	ESPACIADOR	ENTRETOISE
7	33813131		6	VEDADOR	SEAL	DEFLECTOR	DEFLECTEUR
8	3521P062		1	TUBO CIL. 1	PIPE 1 CYL	CAÑO CIL 1	TUYAUTERIE 1
9	3521P063		1	TUBO CIL. 2	PIPE 2 CYL	CAÑO CIL 2	TUYAUTERIE 2
10	3521P064		1	TUBO CIL. 3	PIPE 3 CYL	CAÑO CIL 3	TUYAUTERIE 3
11	3521P065		1	TUBO CIL. 4	PIPE 4 CYL	CAÑO CIL 4	TUYAUTERIE 4
12	3521P066		1	TUBO CIL. 5	PIPE 5 CYL	CAÑO CIL 5	TUYAUTERIE 5
13	3521P067		1	TUBO CIL. 6	PIPE 6 CYL	CAÑO CIL 6	TUYAUTERIE 6
14	2646E006		1	PRESILHA	CLIP	SUJETADOR	AGRAFE
15	2646E007		1	PRESILHA	CLIP	SUJETADOR	AGRAFE
16	2646E009		1	PRESILHA	CLIP	SUJETADOR	AGRAFE
17	2646E010		1	PRESILHA	CLIP	SUJETADOR	AGRAFE
18	3558X021		1	TUBO RETORNO	PIPE	CAÑO	TUYAUTERIE
19	0095315		3	PARAFUSO BANJO	BANJO BOLT	TORNILLO BANJO	VISBANJO
20	0201526		3	CONEXÃO	CONNECTION	CONEXIÓN	RACCORD
21	70920083		12	ARRUELA	WASHER	ARANDELA	RONDELLE
22	70993416		1	TUBO	PIPE	CAÑO	TUYAUTERIE
23	33225412		2	PORCA	NUT	TUERCA	ÉCROU
24	33811112		2	OLIVA	OLIVE	OLIVA	OLIVE
25	3552A013		1	TUBO	PIPE	CAÑO	TUYAUTERIE
26	32184422		1	PARAFUSO BANJO	BANJO BOLT	TORNILLO BANJO	VIS BANJO
27	70920114		2	ARRUELA	WASHER	ARANDELA	RONDELLE
28	70600001		2	ALMOFADA	DAMPER	AMORTIGUADOR	AMORTISSEUR
29	36516119		2	PRESILHA	CLIP	SUJETADOR	AGRAFE
30	2314E007		1	PARAFUSO	BOLT	TORNILLO	VIS
31	2318D205		1	PORCA	NUT	TUERCA	ÉCROU
32	2314C035		4	PARAFUSO	BOLT	TORNILLO	VIS

ITENS DE INSTALAÇÃO  
FITTING ITEMS  
PIEZAS DE INSTALACION  
ARTICLES D'INSTALLATION

GRUPO  
GROUP  
GRUPO  
GROUPE

52/327





**ITENS DE INSTALAÇÃO**  
**FITTING ITEMS**  
**PIEZAS DE INSTALACION**  
**ARTICLES D'INSTALLATION**

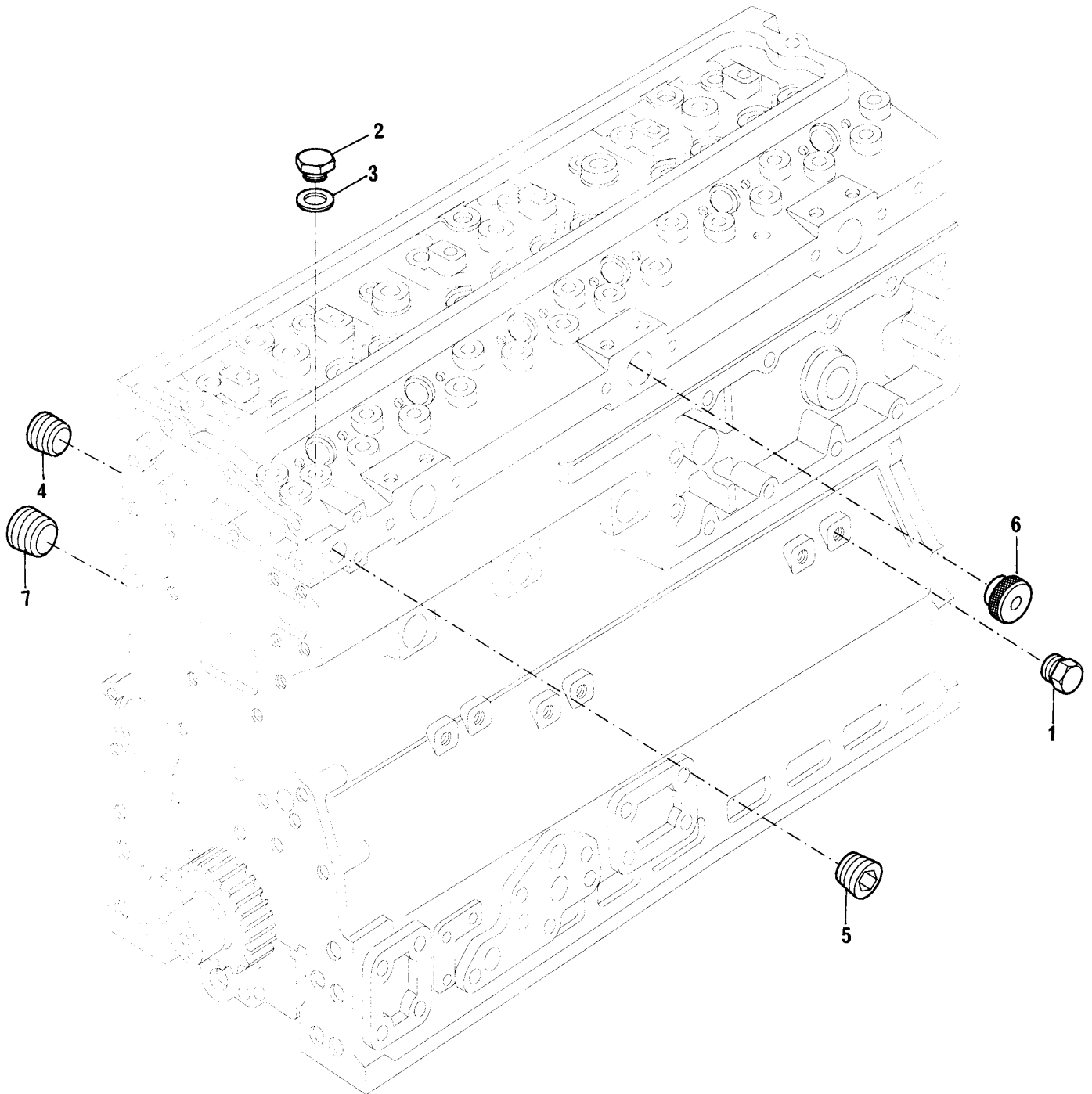
**GRUPO**  
**GROUP** **52/327**  
**GRUPO**  
**GROUPE**

1	70650119	1	BUJÃO	PLUG	TAPÓN	BOUCHON
2	70650138	1	BUJÃO	PLUG	TAPÓN	BOUCHON
3	70920128	1	ARRUELA	WASHER	ARANDELA	RONDELLE
4	70650109	2	BUJÃO	PLUG	TAPÓN	BOUCHON
6	70650118	1	BUJÃO	PLUG	TAPÓN	BOUCHON

ITENS DE INSTALAÇÃO  
FITTING ITEMS  
PIEZAS DE INSTALACION  
ARTICLES D'INSTALLATION

GRUPO  
GROUP  
GRUPO  
GROUPE

52/328



**ITENS DE INSTALAÇÃO**  
**FITTING ITEMS**  
**PIEZAS DE INSTALACION**  
**ARTICLES D'INSTALLATION**

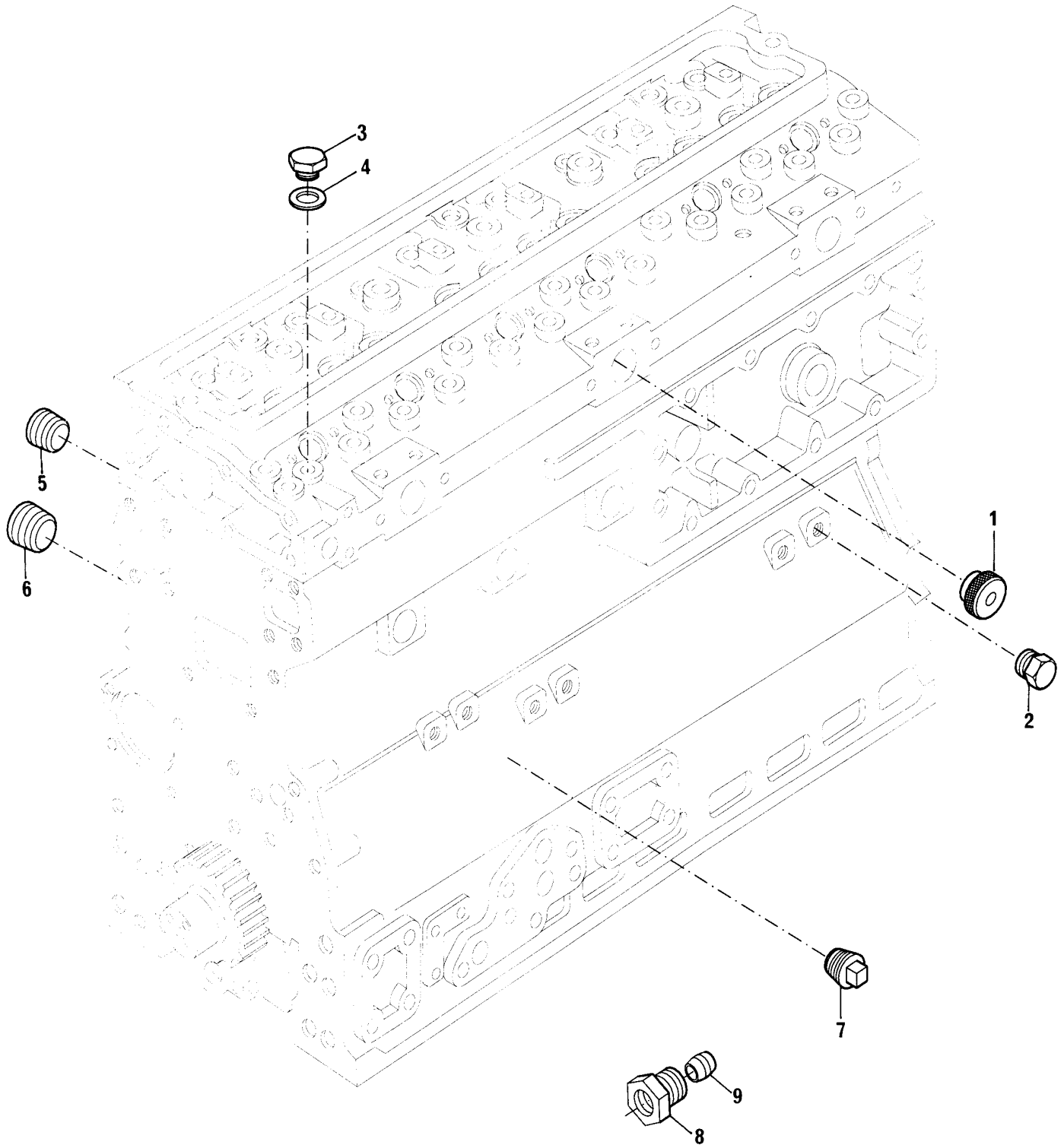
**GRUPO**  
**GROUP** 52/328  
**GRUPO**  
**GROUPE**

1	70650109	2	BUJÃO	PLUG	TAPÓN	BOUCHON
2	70650138	1	BUJÃO	PLUG	TAPÓN	BOUCHON
3	70920128	1	ARRUELA	WASHER	ARANDELA	RONDELLE
4	3211P001	1	BUJÃO	PLUG	TAPÓN	BOUCHON
5	70650118	1	BUJÃO	PLUG	TAPÓN	BOUCHON
6	70470066	1	BUJÃO	PLUG	TAPÓN	BOUCHON
7	70650119	1	BUJÃO	PLUG	TAPÓN	BOUCHON

ITENS DE INSTALAÇÃO  
FITTING ITEMS  
PIEZAS DE INSTALACION  
ARTICLES D'INSTALLATION

GRUPO  
GROUP  
GRUPO  
GROUPE

52/379



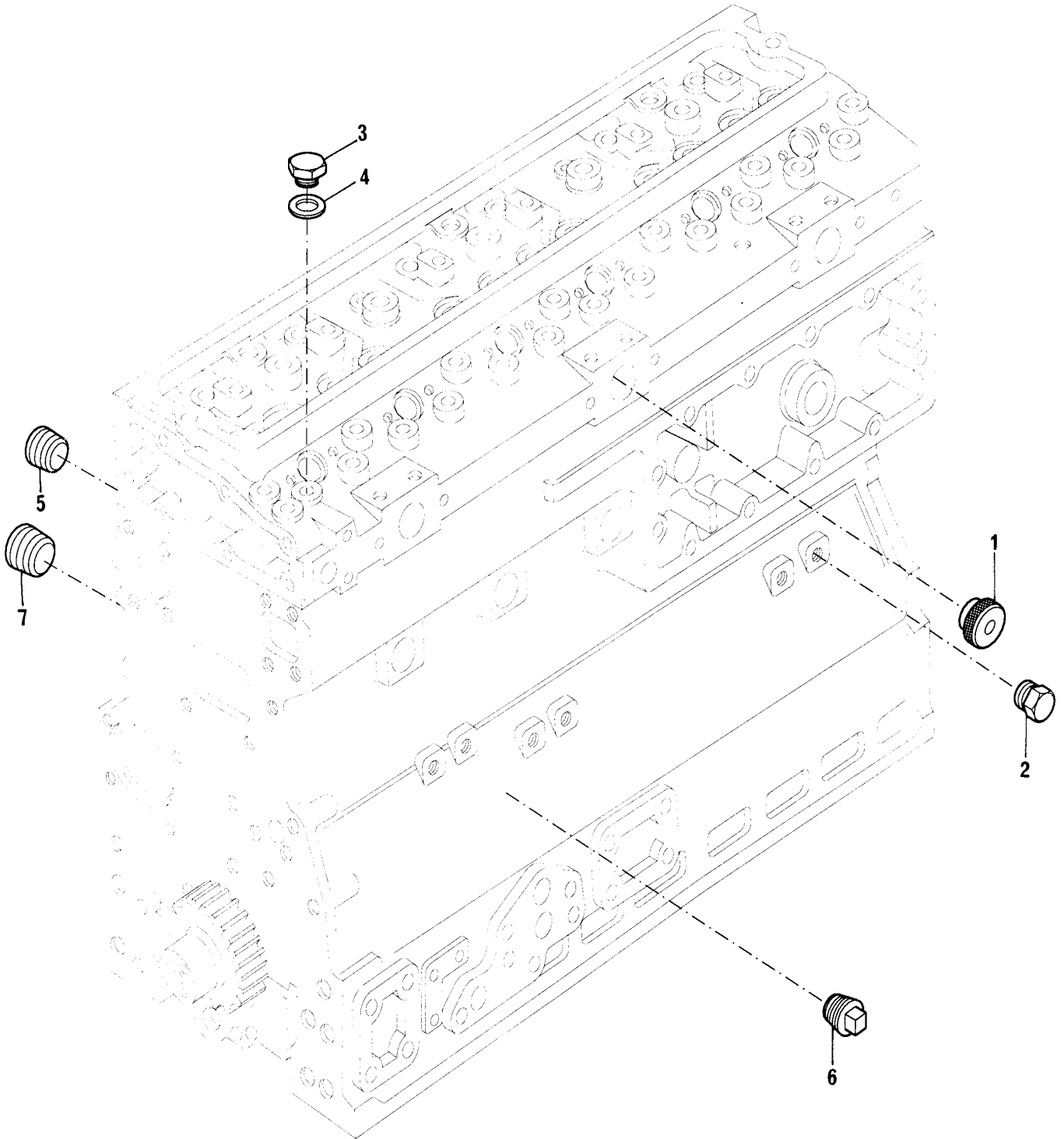
**ITENS DE INSTALAÇÃO**  
**FITTING ITEMS**  
**PIEZAS DE INSTALACION**  
**ARTICLES D'INSTALLATION**

**GRUPO**  
**GROUP** 52/379  
**GRUPO**  
**GROUPE**

1	70470066	1	ADAPTADOR	ADAPTOR	ADAPTADOR	ADAPTATEUR
2	70650109	2	BUJÃO	PLUG	TAPÓN	BOUCHON
3	70650138	1	BUJÃO	PLUG	TAPÓN	BOUCHON
4	70920128	1	ARRUELA	WASHER	ARANDELA	RONDELLE
5	3211P001	7	BUJÃO	PLUG	TAPÓN	BOUCHON
6	70650119	1	BUJÃO	PLUG	TAPÓN	BOUCHON
7	70650118	1	BUJÃO	PLUG	TAPÓN	BOUCHON
8	0571346	1	PORCA	NUT	TUERCA	ÉCROU
9	0566004	1	OLIVA	OLIVE	OLIVA	OLIVE

ITENS DE INSTALAÇÃO  
FITTING ITEMS  
PIEZAS DE INSTALACION  
ARTICLES D'INSTALLATION

GRUPO  
GROUP 52/382  
GRUPO  
GROUPE



**ITENS DE INSTALAÇÃO  
FITTING ITEMS  
PIEZAS DE INSTALACION  
ARTICLES D'INSTALLATION**

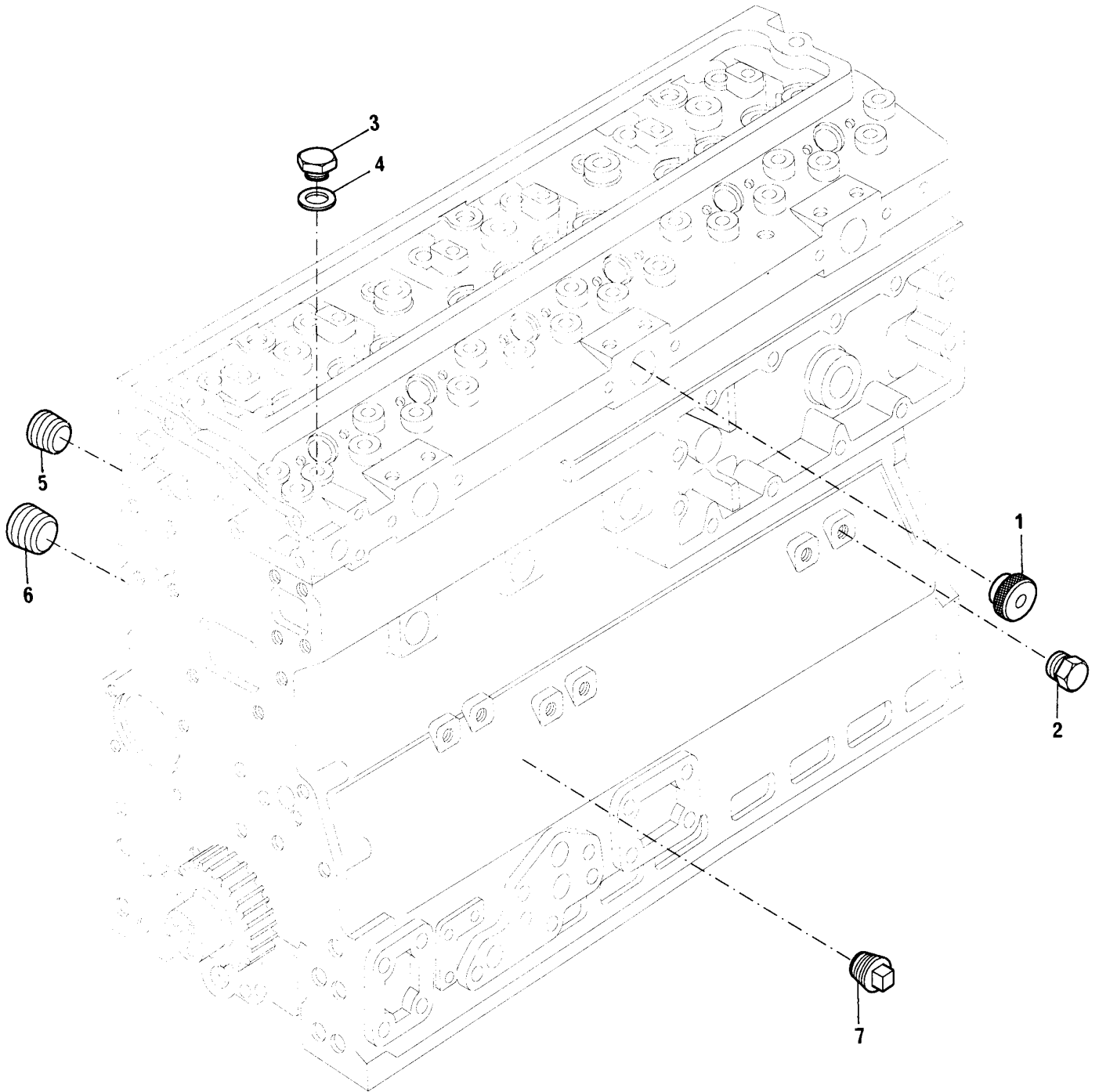
**GRUPO  
GROUP  
GRUPO  
GROUPE** **52/382**

1	70470066	1	ADAPTADOR	ADAPTOR	ADAPTADOR	ADAPTATEUR
2	70650109	2	BUJÃO	PLUG	TAPÓN	BOUCHON
3	70650138	1	BUJÃO	PLUG	TAPÓN	BOUCHON
4	70920128	1	ARRUELA	WASHER	ARANDELA	RONDELLE
5	3211P001	4	BUJÃO	PLUG	TAPÓN	BOUCHON
6	70650118	1	BUJÃO	PLUG	TAPÓN	BOUCHON
7	70650119	1	BUJÃO	PLUG	TAPÓN	BOUCHON

ITENS DE INSTALAÇÃO  
FITTING ITEMS  
PIEZAS DE INSTALACION  
ARTICLES D'INSTALLATION

GRUPO  
GROUP  
GRUPO  
GROUPE

52/383





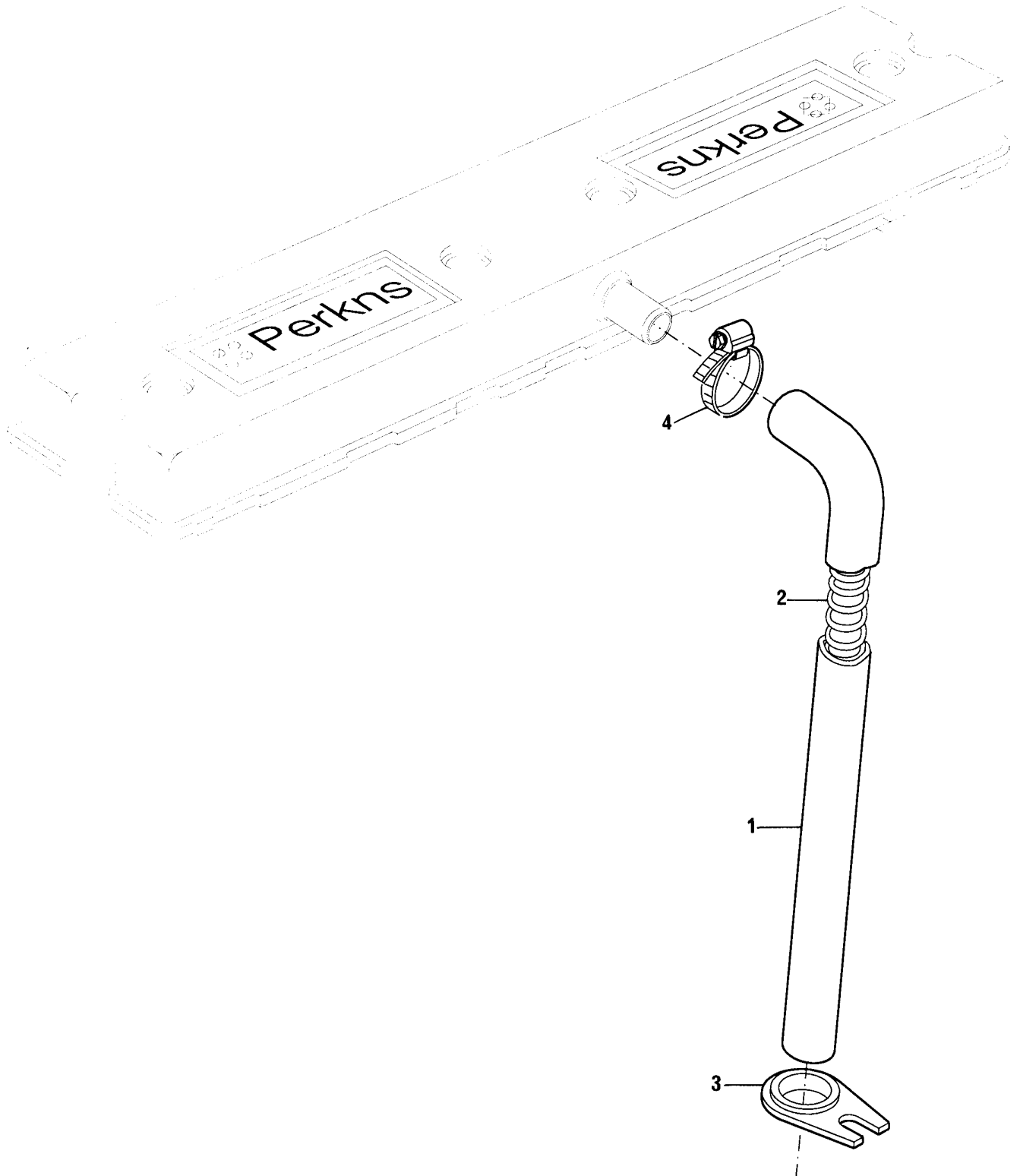
**ITENS DE INSTALAÇÃO  
FITTING ITEMS  
PIEZAS DE INSTALACION  
ARTICLES D'INSTALLATION**

**GRUPO  
GROUP  
GRUPO  
GROUPE** **52/383**

1	70470066	1	ADAPTADOR	ADAPTOR	ADAPTADOR	ADAPTATEUR
2	70650109	2	BUJÃO	PLUG	TAPÓN	BOUCHON
3	70650138	1	BUJÃO	PLUG	TAPÓN	BOUCHON
4	70920128	1	ARRUELA	WASHER	ARANDELA	RONDELLE
5	3211P001	7	BUJÃO	PLUG	TAPÓN	BOUCHON
6	70650119	1	BUJÃO	PLUG	TAPÓN	BOUCHON
7	70650118	1	BUJÃO	PLUG	TAPÓN	BOUCHON

RESPIRO DO MOTOR  
ENGINE BREATHER  
RESPIRADERO DEL MOTOR  
RENIFLARD DU MOTEUR

GRUPO  
GROUP 53/45  
GRUPO 53/62  
GROUPE



**RESPIRO DO MOTOR**  
**ENGINE BREATHER**  
**RESPIRADERO DEL MOTOR**  
**RENIFLARD DU MOTEUR**

**GRUPO**  
**GROUP** 53/45  
**GRUPO** 53/62  
**GROUPE**

1 33872519  
2 31754119  
3 36241123  
4 70180154

1 MANGUEIRA  
1 MOLA  
1 PRESILHA  
1 BRAÇADEIRA

HOSE  
SPRING  
CLIP  
CLAMP

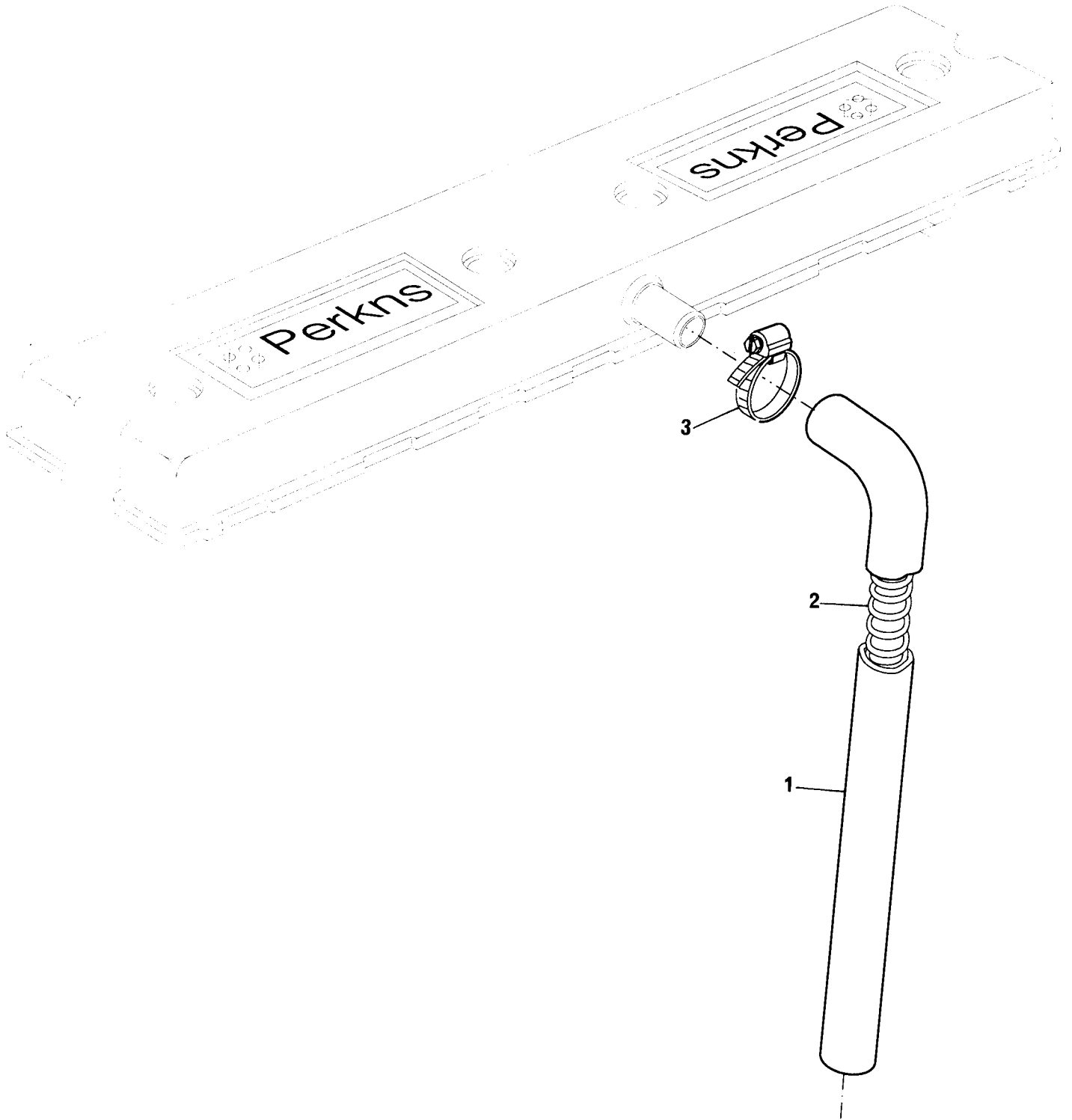
MANGUERA  
RESORTE  
SUJETADOR  
ABRAZADERA

DURITE  
RESSORT  
AGRAFE  
COLLIER

RESPIRO DO MOTOR  
ENGINE BREATHER  
RESPIRADERO DEL MOTOR  
RENIFLARD DU MOTEUR

GRUPO  
GROUP  
GRUPO  
GROUPE

53/63



RESPIRO DO MOTOR  
ENGINE BREATHER  
RESPIRADERO DEL MOTOR  
RENIFLARD DU MOTEUR

GRUPO  
GROUP  
GRUPO  
GROUPE

53/63

1 33872539  
2 31754119  
3 70180154

1 MANGUEIRA  
1 MOLA  
1 BRAÇADEIRA

HOSE  
SPRING  
CLAMP

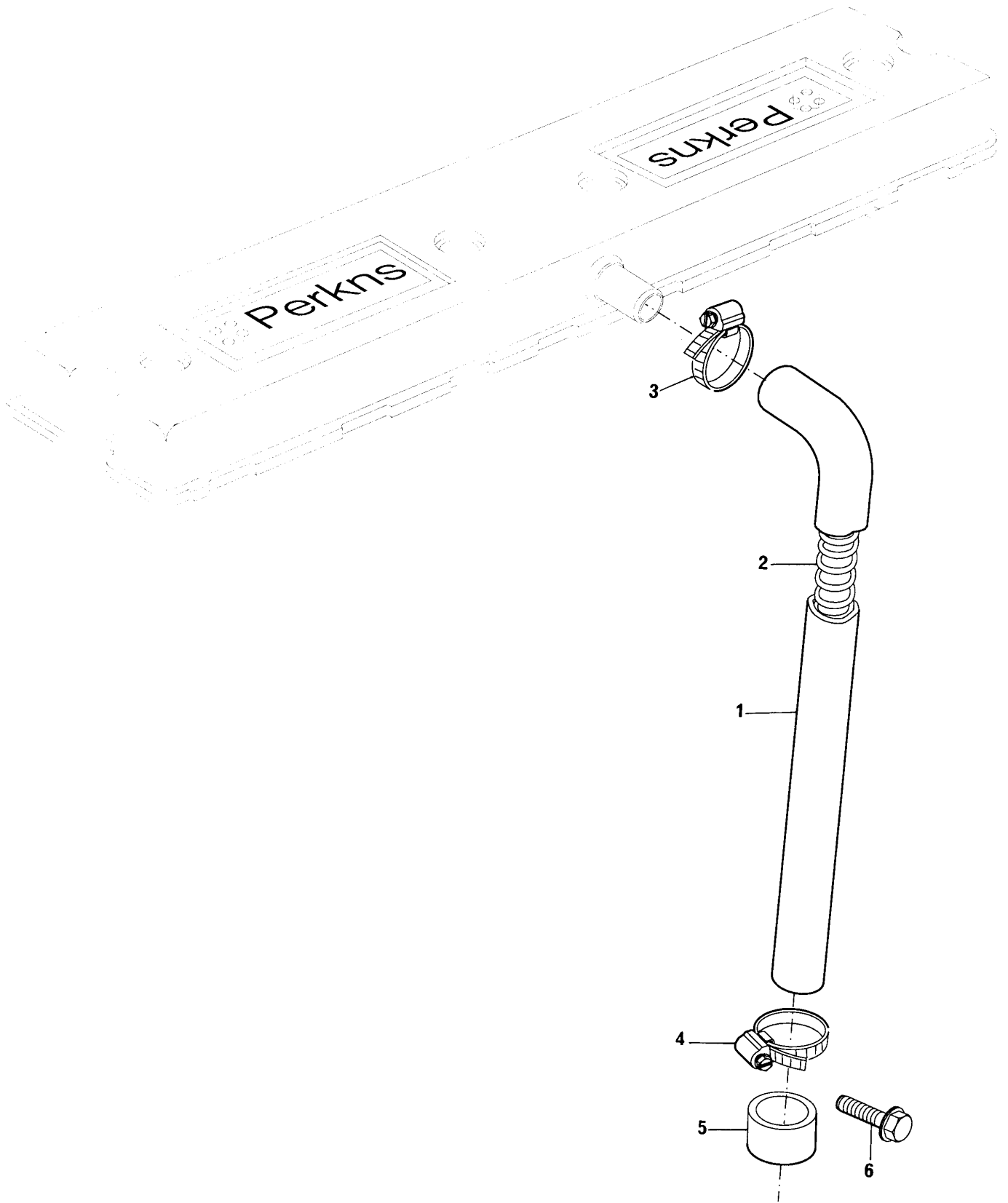
MANGUERA  
RESORTE  
ABRAZADERA

DURITE  
RESSORT  
COLLIER

RESPIRO DO MOTOR  
ENGINE BREATHER  
RESPIRADERO DEL MOTOR  
RENIFLARD DU MOTEUR

GRUPO  
GROUP  
GRUPO  
GROUPE

53/64



RESPIRO DO MOTOR  
ENGINE BREATHER  
RESPIRADERO DEL MOTOR  
RENIFLARD DU MOTEUR

GRUPO  
GROUP  
GRUPO  
GROUPE

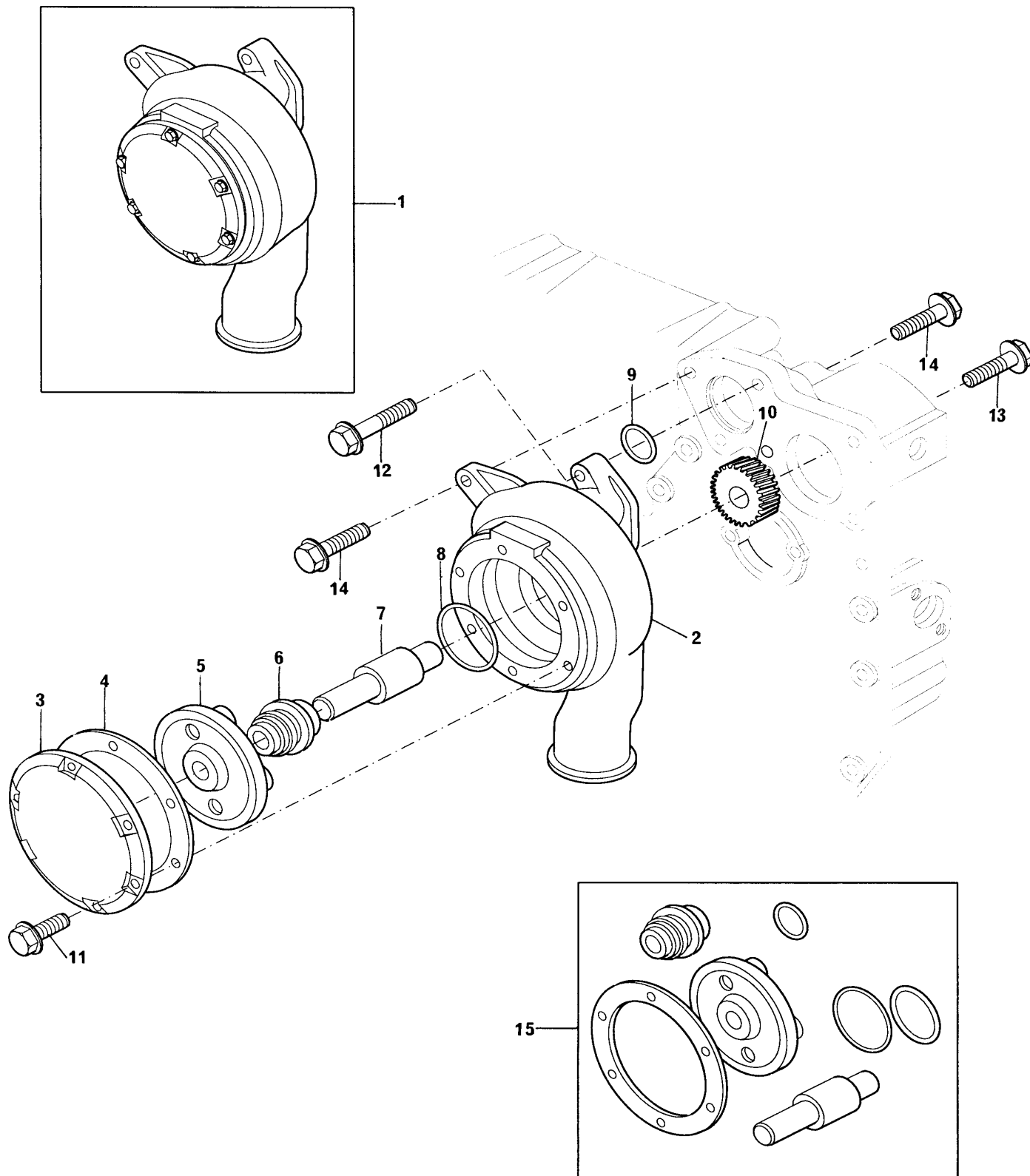
53/64

1	33872539		1	MANGUEIRA	HOSE	MANGUERA	DURITE
2	31754119		1	MOLA	SPRING	RESORTE	RESSORT
3	70180154		1	BRAÇADEIRA	CLAMP	ABRAZADERA	COLLIER
4	36561128		1	BRAÇADEIRA	CLAMP	ABRAZADERA	COLLIER
5	33134418		1	ESPAÇADOR	SPACER	ESPACIADOR	ENTRETOISE
6	2314H004	M8X25	1	PARAFUSO	BOLT	TORNILLO	VIS

BOMBA D'ÁGUA  
WATER PUMP  
BOMBA DE AGUA  
POMPE À EAU

GRUPO  
GROUP  
GRUPO  
GROUPE


56/108





**BOMBA D'ÁGUA**  
**WATER PUMP**  
**BOMBA DE AGUA**  
**POMPE À EAU**

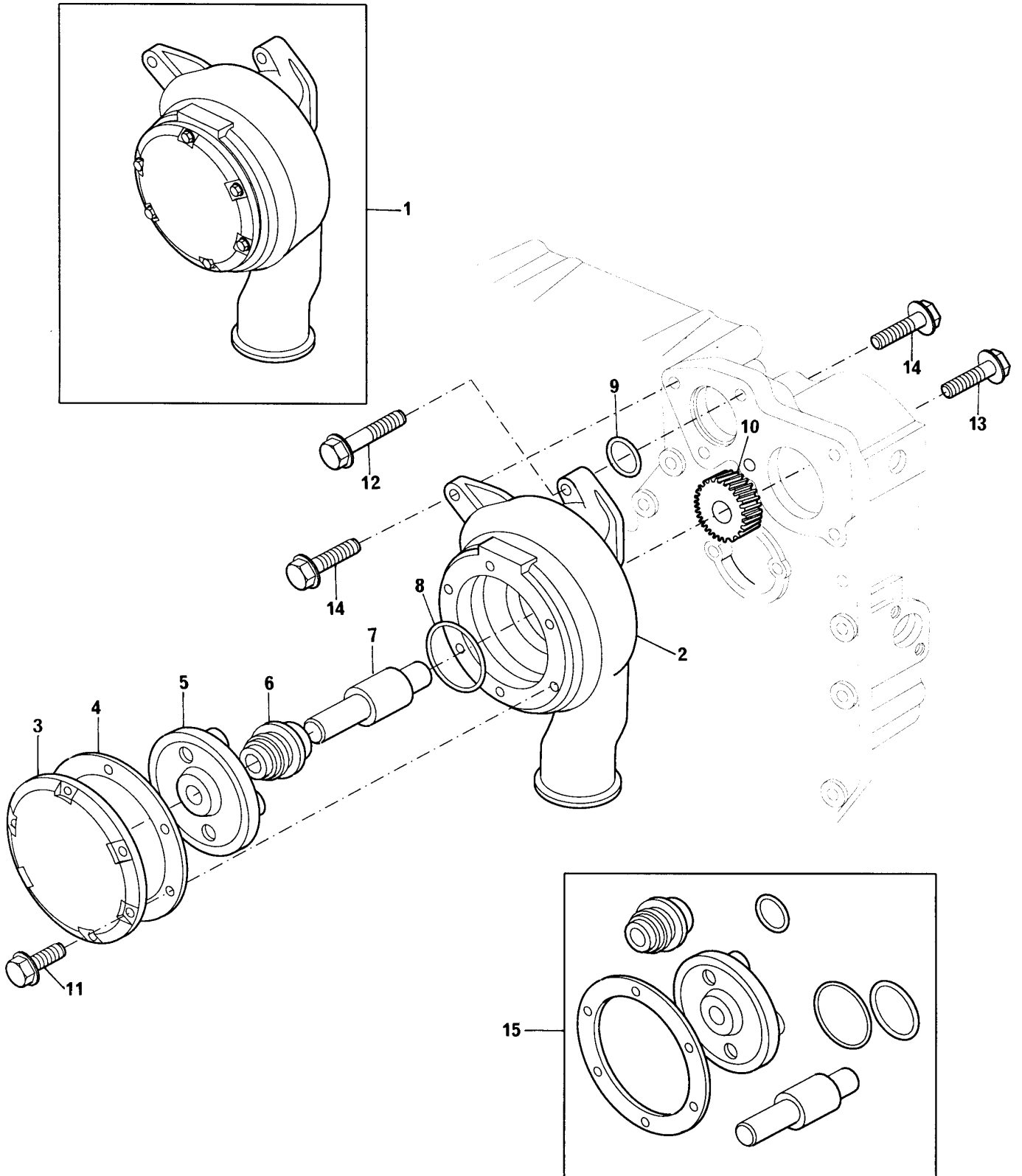
**GRUPO**  
**GROUP** **56/108**  
**GRUPO**  
**GROUPE**

1	U5MW0159	P/ 1006-6	1	BOMBA D'ÁGUA	WATER PUMP	BOMBA DE ÁGUA	POMPE À EAU
1	U5MW0160	P/ 1006-6T	1	BOMBA D'ÁGUA	WATER PUMP	BOMBA DE ÁGUA	POMPE À EAU
2			1	CORPO	BODY	CUERPO	CORPS
3			1	TAMPA	COVER	TAPA	COUVERCLE
4	3382P004		15	JUNTA	JOINT	JUNTA	JOINT
5			15	ROTOR	IMPELLER	TURBINA	TURBINE
6			15	VEDADOR	SEAL	DEFLECTOR	DEFLECTEUR
7			15	EIXO	SHAFT	EJE	ARBRE
8	2415B155		15	ANEL VEDAÇÃO	SEALING RING	ANILLO SELLADO	BAGUE ÉTANCHÉITE
9	2415B152		15	ANEL VEDAÇÃO	SEALING RING	ANILLO SELLADO	BAGUE ÉTANCHÉITE
10	3117A035		1	ENGRENAGEM	GEAR	ENGRANAJE	PIGNON
11	2314M033		1	6 PARAFUSO	BOLT	TORNILLO	VIS
12	2314H015			1 PARAFUSO	BOLT	TORNILLO	VIS
13	2314N043			3 PARAFUSO	BOLT	TORNILLO	VIS
14	2314H006			2 PARAFUSO	BOLT	TORNILLO	VIS
15	U7LW0151	1  U7LW0070	1	JOGO DE REPARO	REPAIR KIT	JUEGO REPARACIÓN	JEU REPARATION

BOMBA D'ÁGUA  
WATER PUMP  
BOMBA DE AGUA  
POMPE À EAU

GRUPO  
GROUP  
GRUPO  
GROUPE

56/136



**BOMBA D'ÁGUA**  
**WATER PUMP**  
**BOMBA DE AGUA**  
**POMPE À EAU**

**GRUPO**  
**GROUP**  
**GRUPO**  
**GROUPE**

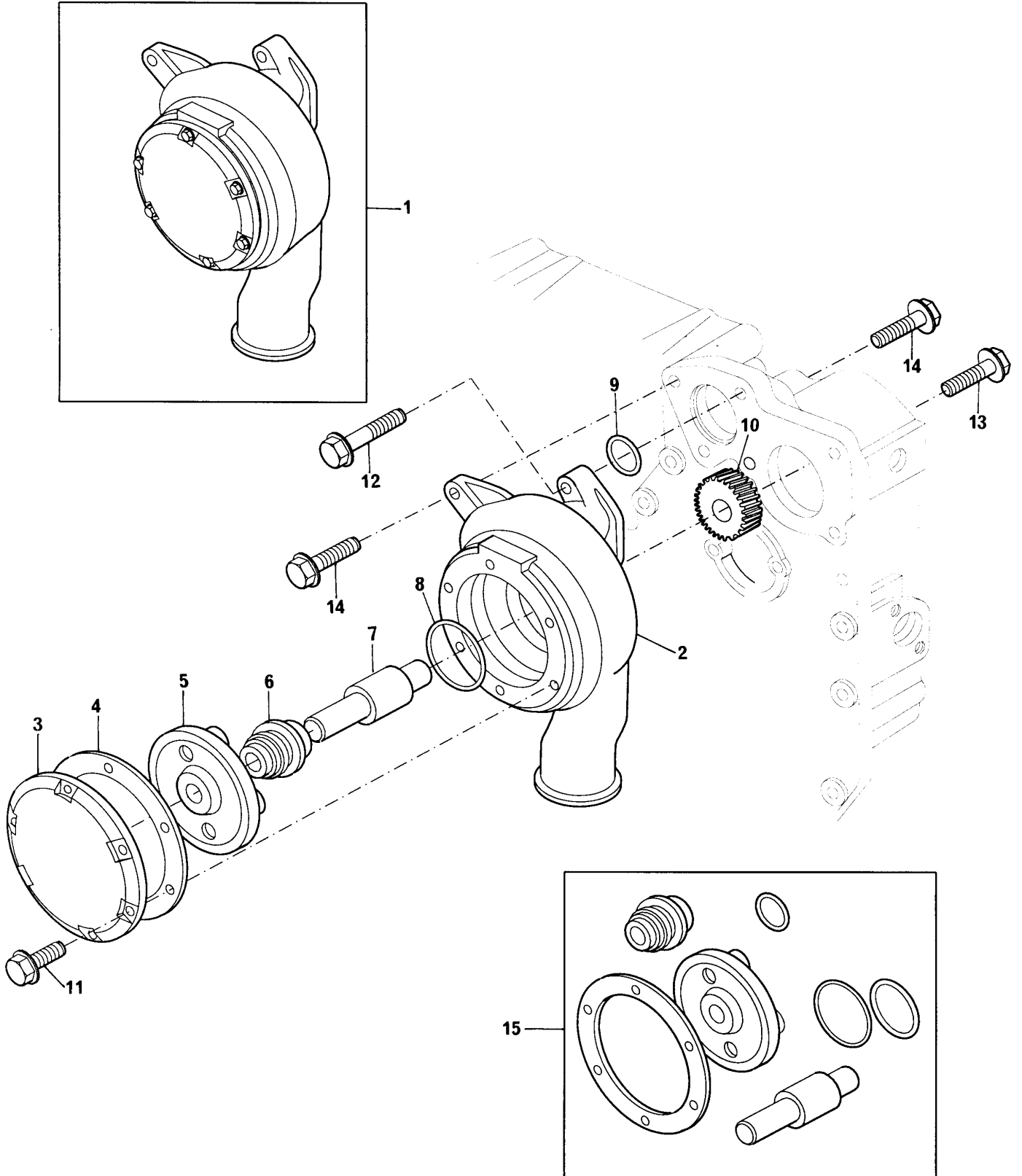
**56/136**

1	4131E021		1	BOMBA D'ÁGUA	WATER PUMP	BOMBA DE ÁGUA	POMPE À EAU
2			1	CORPO	BODY	CUERPO	CORPS
3			1	TAMPA	COVER	TAPA	COUVERCLE
4			1	JUNTA	JOINT	JUNTA	JOINT
5			1	ROTOR	IMPELLER	TURBINA	TURBINE
6			1	VEDADOR	SEAL	DEFLECTOR	DEFLECTEUR
7			1	EIXO	SHAFT	EJE	ARBRE
8	2415B155		1	ANEL VEDAÇÃO	SEALING RING	ANILLO SELLADO	BAGUE ÉTANCHÉITE
9	2415H494		1	ANEL VEDAÇÃO	SEALING RING	ANILLO SELLADO	BAGUE ÉTANCHÉITE
10			1	ENGRENAGEM	GEAR	ENGRANAJE	PIGNON
11			6	PARAFUSO	BOLT	TORNILLO	VIS
12	2314H015	M8X80	1	PARAFUSO	BOLT	TORNILLO	VIS
13	2314N043	M8X70	3	PARAFUSO	BOLT	TORNILLO	VIS
14	2314H006	M8X35	2	PARAFUSO	BOLT	TORNILLO	VIS
15	U7LW0151		1	JOGO DE REPARO	REPAIR KIT	JUEGO REPARACIÓN	JEU REPARATION

BOMBA D'ÁGUA  
WATER PUMP  
BOMBA DE AGUA  
POMPE À EAU

GRUPO  
GROUP  
GRUPO  
GROUPE

56/137



**BOMBA D'ÁGUA**  
**WATER PUMP**  
**BOMBA DE AGUA**  
**POMPE À EAU**

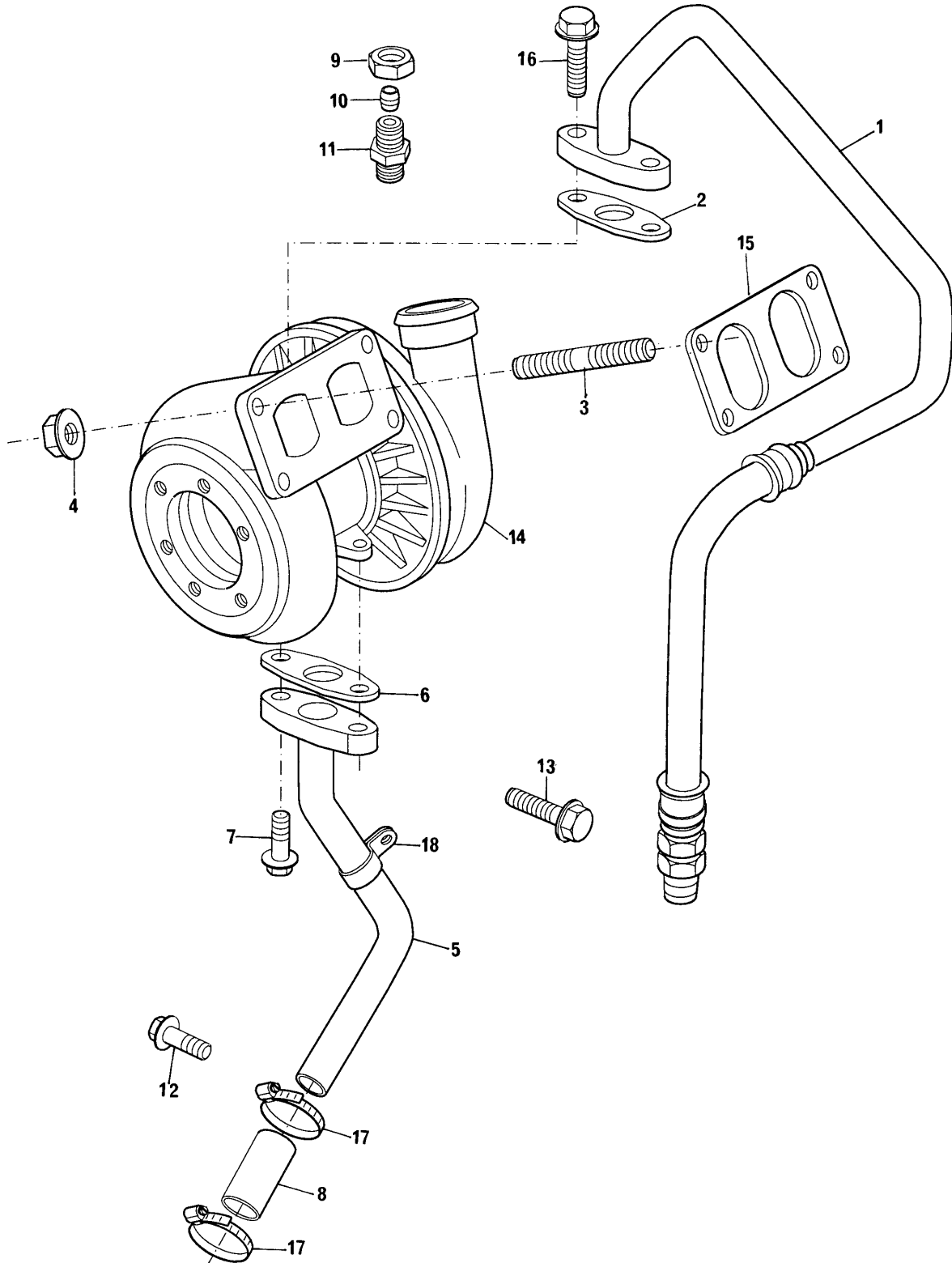
**GRUPO**  
**GROUP** 56/137  
**GRUPO**  
**GROUPE**

1	4131E018		1	BOMBA D'ÁGUA	WATER PUMP	BOMBA DE ÁGUA	POMPE À EAU
2			1	CORPO	BODY	CUERPO	CORPS
3			1	TAMPA	COVER	TAPA	COUVERCLE
4			1	JUNTA	JOINT	JUNTA	JOINT
5			1	ROTOR	IMPELLER	TURBINA	TURBINE
6			1	VEDADOR	SEAL	DEFLECTOR	DEFLECTEUR
7			1	EIXO	SHAFT	EJE	ARBRE
8	2415B155		1	ANEL VEDAÇÃO	SEALING RING	ANILLO SELLADO	BAGUE ÉTANCHÉITE
9	2415H494		1	ANEL VEDAÇÃO	SEALING RING	ANILLO SELLADO	BAGUE ÉTANCHÉITE
10			1	ENGRENAGEM	GEAR	ENGRANAJE	PIGNON
11			6	PARAFUSO	BOLT	TORNILLO	VIS
12	2314H015	M8X80	1	PARAFUSO	BOLT	TORNILLO	VIS
13	2314N043	M8X70	3	PARAFUSO	BOLT	TORNILLO	VIS
14	2314H006	M8X35	2	PARAFUSO	BOLT	TORNILLO	VIS
15	U7LW0151		1	JOGO DE REPARO	REPAIR KIT	JUEGO REPARACIÓN	JEU REPARATION

INSTALAÇÃO DO TURBO  
TURBO CHARGER INSTALLATION  
INSTALACIÓN DEL TURBO  
INSTALLATION DU TURBO-COMPRESSEUR

GRUPO  
GROUP  
GRUPO  
GROUPE

58/32



**INSTALAÇÃO DO TURBO  
TURBO CHARGER INSTALLATION  
INSTALACIÓN DEL TURBO  
INSTALLATION DU TURBO-COMPRESSEUR**

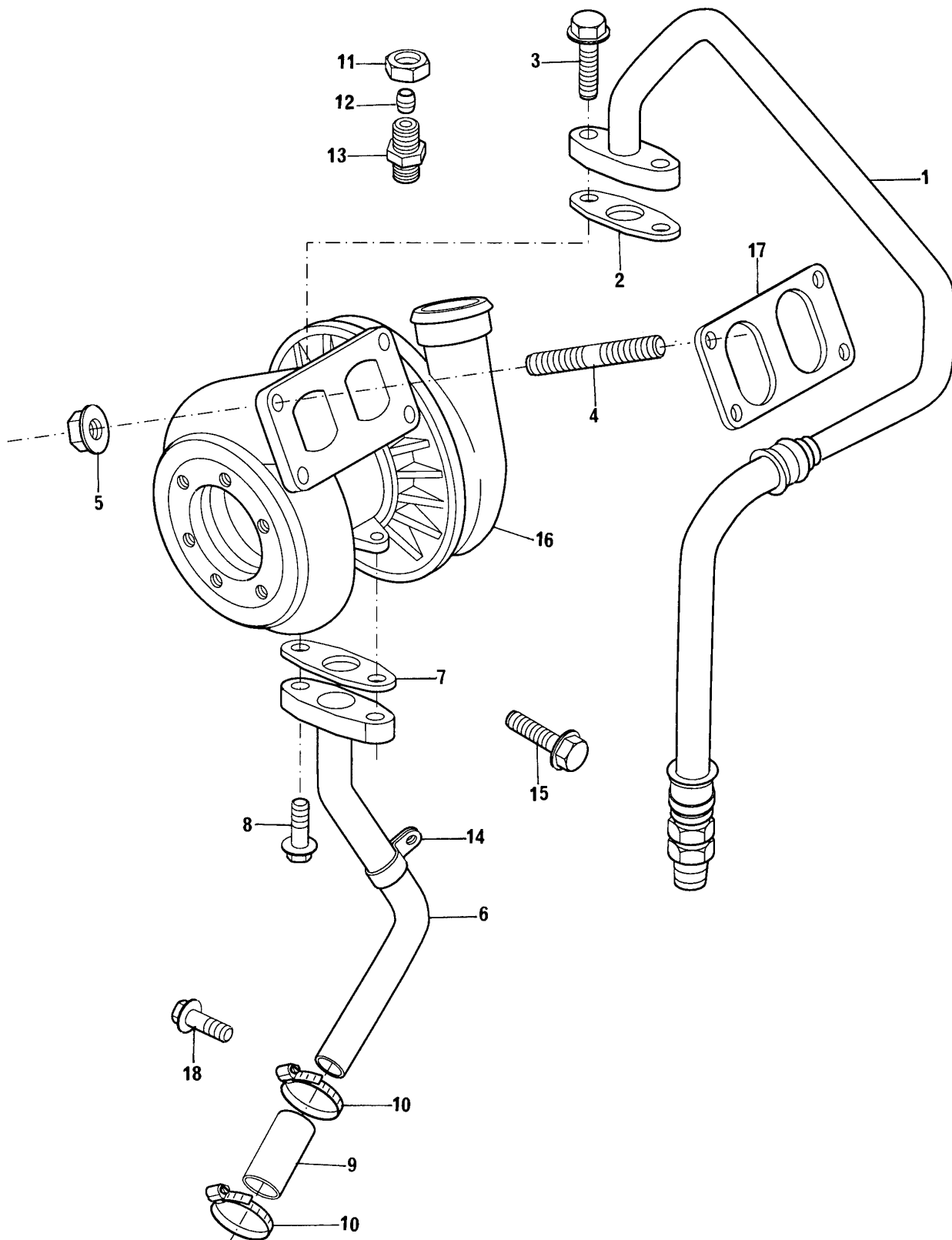
**GRUPO  
GROUP  
GRUPO  
GROUPE** **58/32**

1	4126X105	1	TUBO	PIPE	CAÑO	TUYAUTERIE
2	36832138	1	JUNTA	JOINT	JUNTA	JOINT
3	2313C077	4	PRISIONEIRO	STUD	ESPÁRRAGO	GOJON
4	2318A634	4	PORCA	NUT	TUERCA	ÉCROU
5	4126X048	1	TUBO	PIPE	CAÑO	TUYAUTERIE
6	3683D006	1	JUNTA	JOINT	JUNTA	JOINT
7	2314H003	2	PARAFUSO	BOLT	TORNILLO	VIS
8	33851126	1	MANGUEIRA	HOSE	MANGUERA	DURITE
9	0576116	1	PORCA	NUT	TUERCA	ÉCROU
10	0566007	1	OLIVA	OLIVE	OLIVA	OLIVE
11	70200573	1	CONEXÃO	CONNECTION	CONEXIÓN	RACCORD
12	2314J001	1	PARAFUSO	BOLT	TORNILLO	VIS
13	2314H002	1	PARAFUSO	BOLT	TORNILLO	VIS
14	70998160	1	TURBO ALIMENTADOR	TURBOCHARGER	TURBINA	AVEC COMPRESSEUR
15	3688A006	1	JUNTA	JOINT	JUNTA	JOINT
16	2314H004	2	PARAFUSO	BOLT	TORNILLO	VIS
17	70180154	2	BRAÇADEIRA	CLAMP	ABRAZADERA	COLLIER
18	36567444	1	PRESILHA	CLIP	SUJETADOR	AGRAFE

INSTALAÇÃO DO TURBO  
TURBO CHARGER INSTALLATION  
INSTALACIÓN DEL TURBO  
INSTALLATION DU TURBO-COMPRESSEUR

GRUPO  
GROUP  
GRUPO  
GROUPE

58/44





**INSTALAÇÃO DO TURBO**  
**TURBO CHARGER INSTALLATION**  
**INSTALACIÓN DEL TURBO**  
**INSTALLATION DU TURBO-COMPRESSEUR**

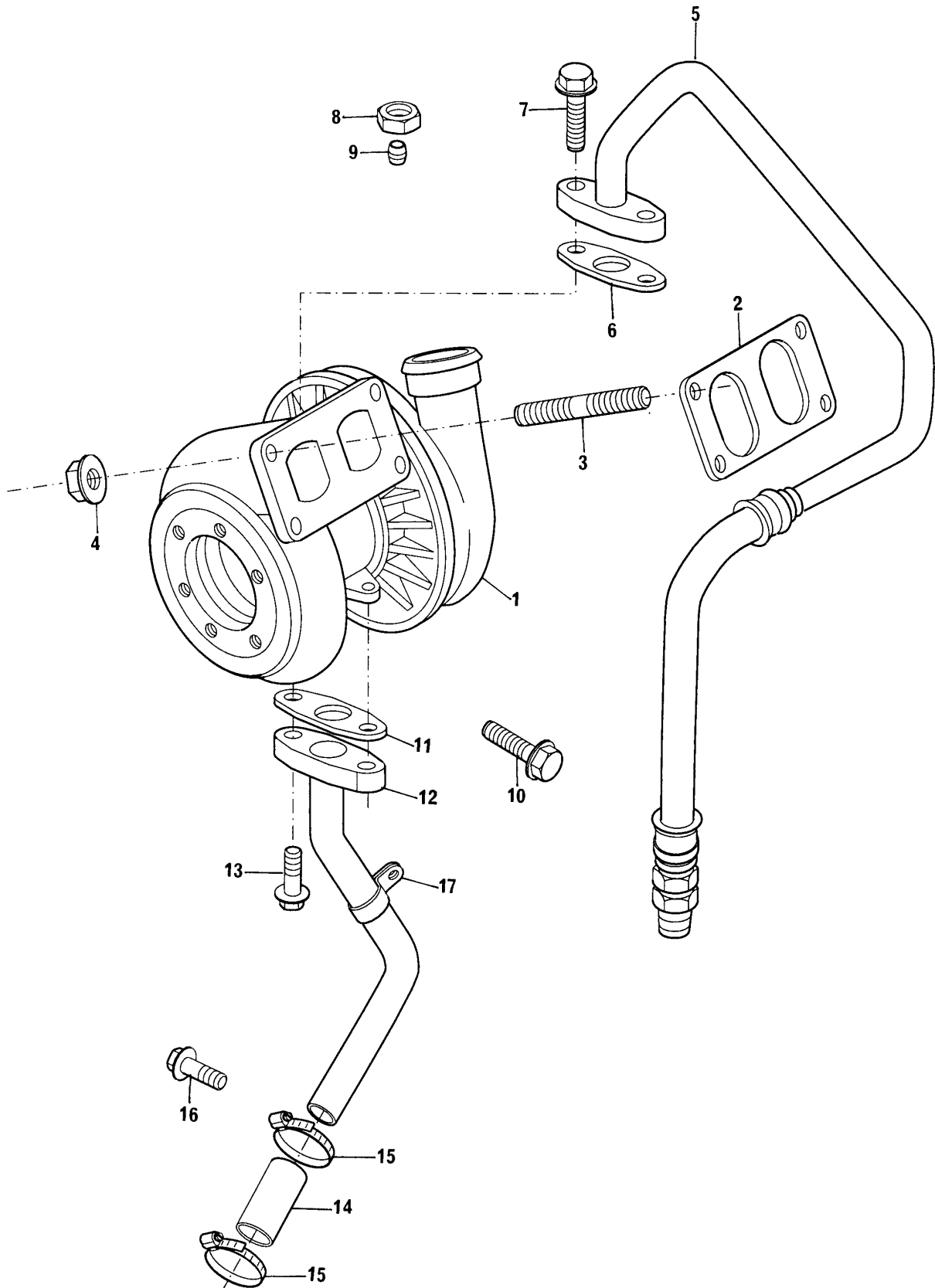
**GRUPO**  
**GROUP** 58/44  
**GRUPO**  
**GROUPE**

1	4126X105	1	TUBO	PIPE	CAÑO	TUYAUTERIE
2	36832138	1	JUNTA	JOINT	JUNTA	JOINT
3	2314H004	2	PARAFUSO	BOLT	TORNILLO	VIS
4	2313C077	4	PRISIONEIRO	STUD	ESPÁRRAGO	GOIJON
5	2318A634	4	PORCA	NUT	TUERCA	ÉCROU
6	4126X048	1	TUBO	PIPE	CAÑO	TUYAUTERIE
7	3683D006	1	JUNTA	JOINT	JUNTA	JOINT
8	2314H003	2	PARAFUSO	BOLT	TORNILLO	VIS
9	33851126	1	MANGUEIRA	HOSE	MANGUERA	DURITE
10	70180154	2	BRAÇADEIRA	CLAMP	ABRAZADERA	COLLIER
11	0576116	1	PORCA	NUT	TUERCA	ÉCROU
12	0566007	1	OLIVA	OLIVE	OLIVA	OLIVE
13	70200573	1	CONEXÃO	CONNECTION	CONEXIÓN	RACCORD
14	36567444	6	PRESILHA	CLIP	SUJETADOR	AGRAFE
15	2314J001	1	PARAFUSO	BOLT	TORNILLO	VIS
16	2674A053	1	TURBO ALIMENTADOR	TURBOCHARGER	TURBINA	AVEC COMPRESSEUR
17	3688A006	1	JUNTA	JOINT	JUNTA	JOINT
18	2314H001	1	PARAFUSO	BOLT	TORNILLO	VIS

INSTALAÇÃO DO TURBO  
TURBO CHARGER INSTALLATION  
INSTALACIÓN DEL TURBO  
INSTALLATION DU TURBO-COMPRESSEUR

GRUPO  
GROUP  
GRUPO  
GROUPE

58/80



**INSTALAÇÃO DO TURBO  
TURBO CHARGER INSTALLATION  
INSTALACIÓN DEL TURBO  
INSTALLATION DU TURBO-COMPRESSEUR**

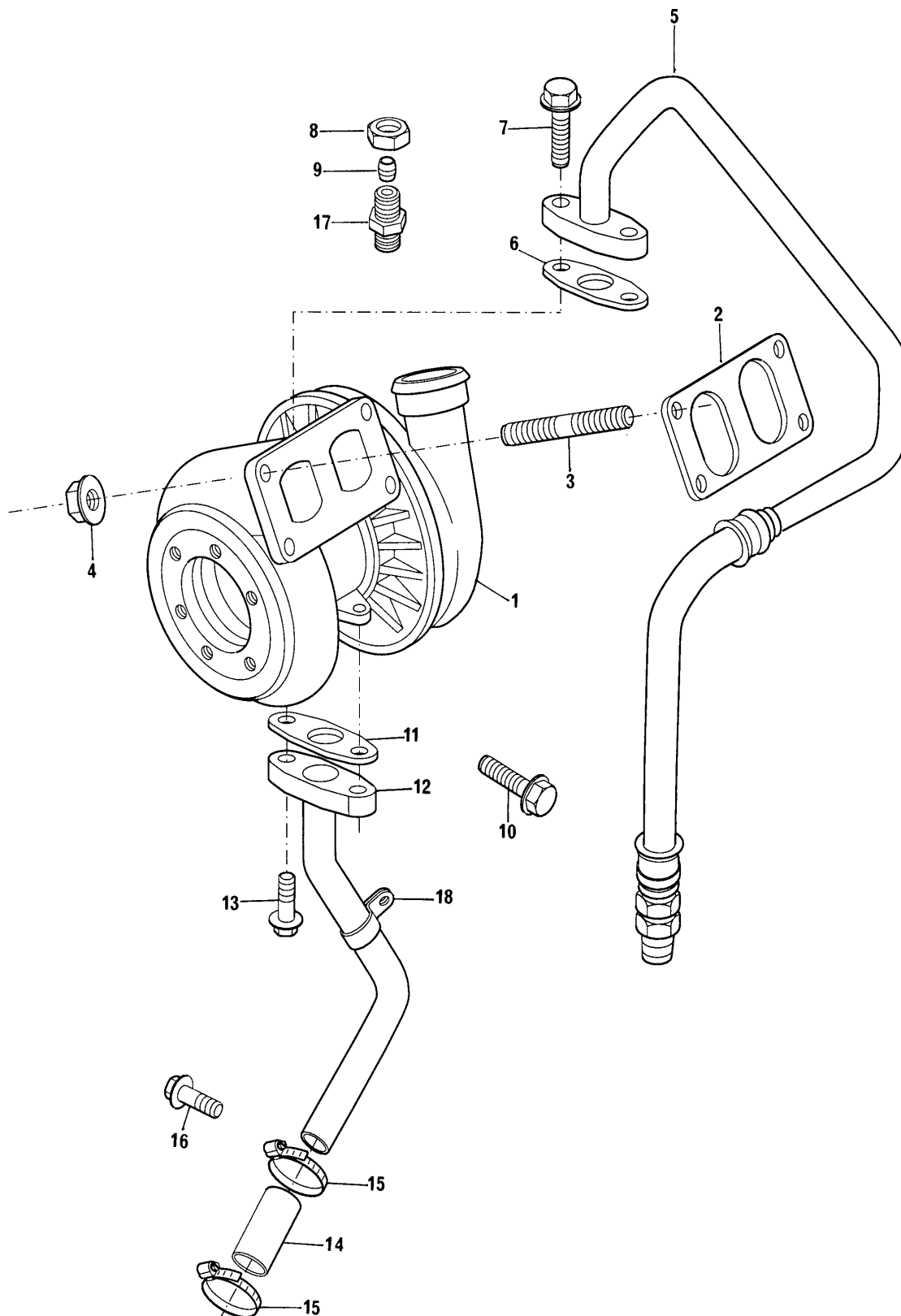
**GRUPO  
GROUP 58/80  
GRUPO  
GROUPE**

1	70998160		1	TURBO COMPRESSOR	TURBOCHARGER	TURBINA	AVEC COMPRESSEUR
2	3688A006		1	JUNTA	JOINT	JUNTA	JOINT
3	3211P007		4	PRISIONEIRO	STUD	ESPÁRRAGO	GOJON
4	2318A634		4	PORCA	NUT	TUERCA	ÉCROU
5	4126X105		1	TUBO	PIPE	CAÑO	TUYAUTERIE
6	36832138		1	JUNTA	JOINT	JUNTA	JOINT
7	2314H004	M8X25	2	PARAFUSO	BOLT	TORNILLO	VIS
8	0576116		1	PORCA	NUT	TUERCA	ÉCROU
9	0566007		1	OLIVA	OLIVE	OLIVA	OLIVE
10	2314J001	M10X16	1	PARAFUSO	BOLT	TORNILLO	VIS
11	3683D006		1	JUNTA	JOINT	JUNTA	JOINT
12	4126X048		1	TUBO	PIPE	CAÑO	TUYAUTERIE
13	2314H003	M8X20	2	PARAFUSO	BOLT	TORNILLO	VIS
14	33853123		1	MANGUEIRA	HOSE	MANGUERA	DURITE
15	70180154		2	BRAÇADEIRA	CLAMP	ABRAZADERA	COLLIER
16	2314H002	M8X16	1	PARAFUSO	BOLT	TORNILLO	VIS
17	36567444	12	1	PRESILHA	CLIP	SUJETADOR	AGRAFE

INSTALAÇÃO DO TURBO  
TURBO CHARGER INSTALLATION  
INSTALACIÓN DEL TURBO  
INSTALLATION DU TURBO-COMPRESSEUR

GRUPO  
GROUP  
GRUPO  
GROUPE

58/81



**INSTALAÇÃO DO TURBO**  
**TURBO CHARGER INSTALLATION**  
**INSTALACIÓN DEL TURBO**  
**INSTALLATION DU TURBO-COMPRESSEUR**

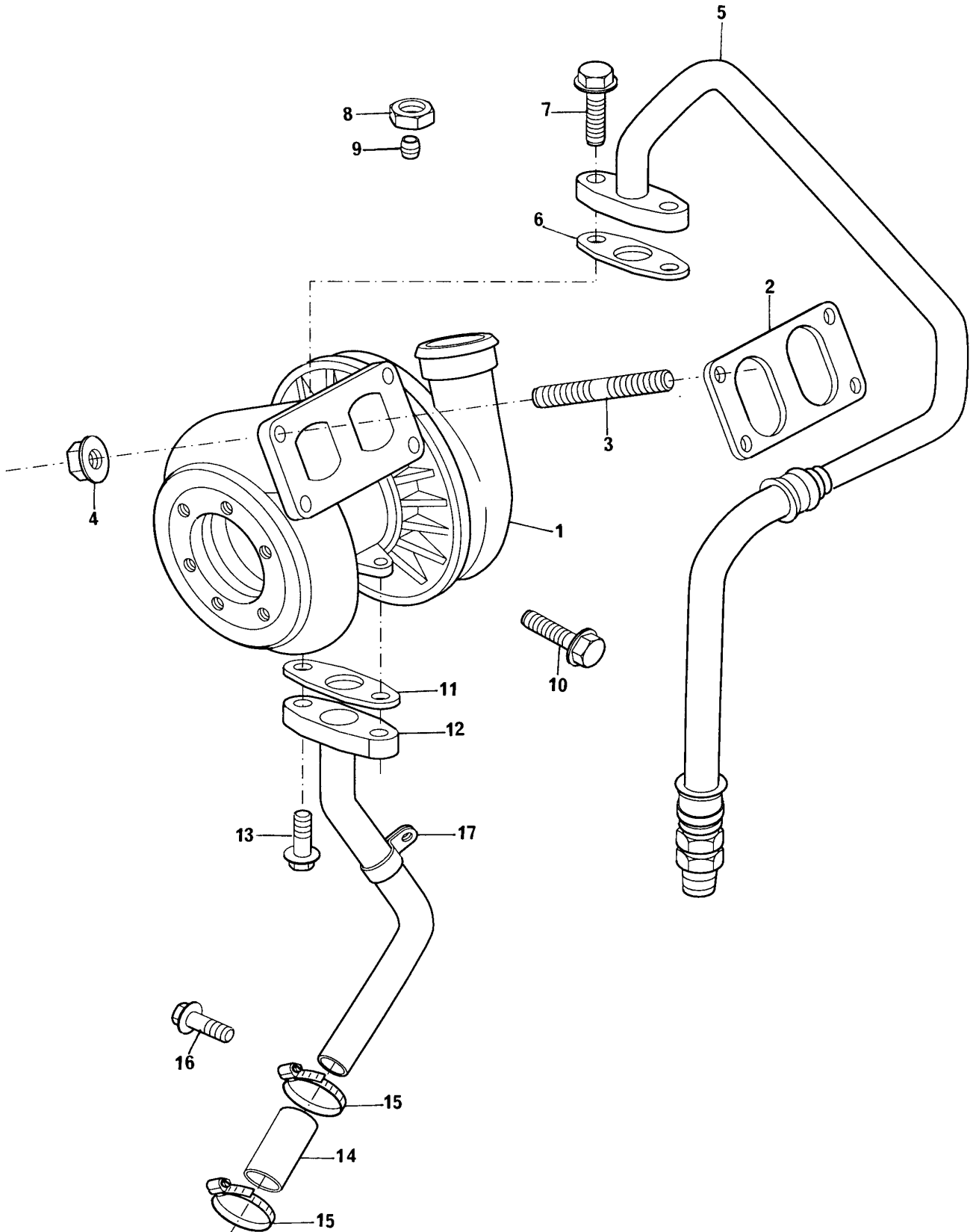
**GRUPO**  
**GROUP** 58/81  
**GRUPO**  
**GROUPE**

1	2674A053		1	TURBO COMPRESSOR	TURBOCHARGER	TURBINA	AVEC COMPRESSEUR
2	3688A006		1	JUNTA	JOINT	JUNTA	JOINT
3	3211P007		4	PRISIONEIRO	STUD	ESPÁRRAGO	GOUJON
4	2318A634		4	PORCA	NUT	TUERCA	ÉCROU
5	4126X105		1	TUBO	PIPE	CAÑO	TUYAUTERIE
6	36832138		1	JUNTA	JOINT	JUNTA	JOINT
7	2314H004	M8X25	2	PARAFUSO	BOLT	TORNILLO	VIS
8	0576116		1	PORCA	NUT	TUERCA	ÉCROU
9	0566007		1	OLIVA	OLIVE	OLIVA	OLIVE
10	2314J001	M10X16	1	PARAFUSO	BOLT	TORNILLO	VIS
11	3683D006		1	JUNTA	JOINT	JUNTA	JOINT
12	4126X048		1	TUBO	PIPE	CAÑO	TUYAUTERIE
13	2314H003	M8X20	2	PARAFUSO	BOLT	TORNILLO	VIS
14	33853123		1	MANGUEIRA	HOSE	MANGUERA	DURITE
15	70180154		2	BRAÇADEIRA	CLAMP	ABRAZADERA	COLLIER
16	2314H002	M8X16	1	PARAFUSO	BOLT	TORNILLO	VIS
17	70200573		1	UNIÃO	UNION	UNION	RACCORD
18	36567444	12	1	PRESILHA	CLIP	SUJETADOR	AGRAFE

INSTALAÇÃO DO TURBO  
TURBO CHARGER INSTALLATION  
INSTALACIÓN DEL TURBO  
INSTALLATION DU TURBO-COMPRESSEUR

GRUPO  
GROUP  
GRUPO  
GROUPE

58/82



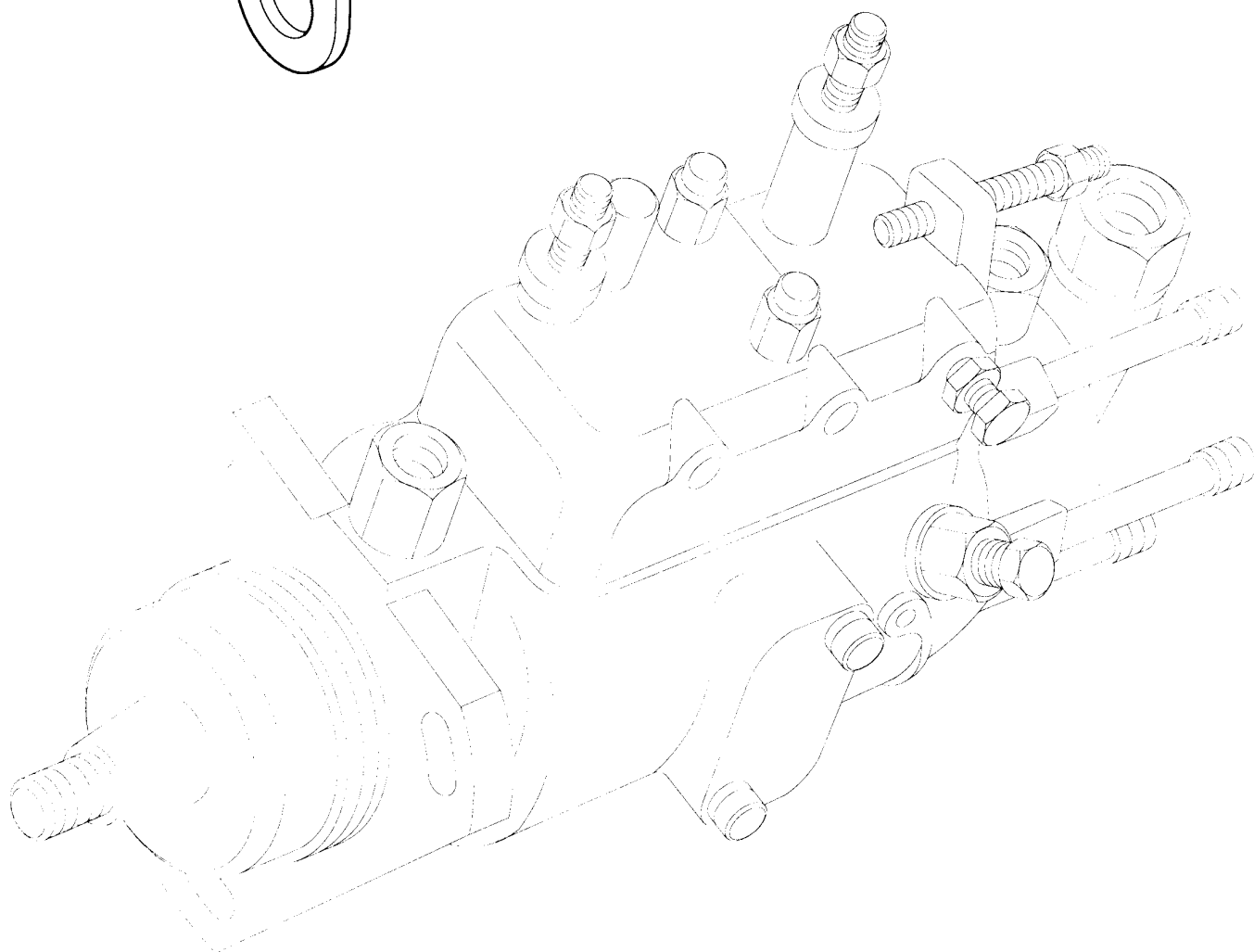
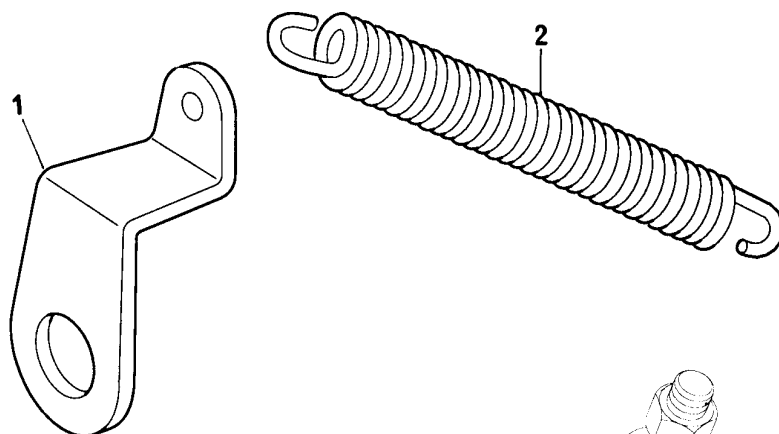
**INSTALAÇÃO DO TURBO  
TURBO CHARGER INSTALLATION  
INSTALACIÓN DEL TURBO  
INSTALLATION DU TURBO-COMPRESSEUR**

**GRUPO  
GROUP 58/82  
GRUPO  
GROUPE**

1	2674A051		1	TURBO COMPRESSOR	TURBOCHARGER	TURBINA	AVEC COMPRESSEUR
2	3688A006		1	JUNTA	JOINT	JUNTA	JOINT
3	3211P007		4	PRISIONEIRO	STUD	ESPÁRRAGO	GOUJON
4	2318A634		4	PORCA	NUT	TUERCA	ÉCROU
5	4126X105		1	TUBO	PIPE	CAÑO	TUYAUTERIE
6	36832138		1	JUNTA	JOINT	JUNTA	JOINT
7	2314H004	M8X25	2	PARAFUSO	BOLT	TORNILLO	VIS
8	0576116		1	PORCA	NUT	TUERCA	ÉCROU
9	0566007		1	OLIVA	OLIVE	OLIVA	OLIVE
10	2314J001	M10X16	1	PARAFUSO	BOLT	TORNILLO	VIS
11	3683D006		1	JUNTA	JOINT	JUNTA	JOINT
12	4126X048		1	TUBO	PIPE	CAÑO	TUYAUTERIE
13	2314H003	M8X20	2	PARAFUSO	BOLT	TORNILLO	VIS
14	33853123		1	MANGUEIRA	HOSE	MANGUERA	DURITE
15	70180154		2	BRAÇADEIRA	CLAMP	ABRAZADERA	COLLIER
16	2314H002	M8X16	1	PARAFUSO	BOLT	TORNILLO	VIS
17	36567444	12	1	PRESILHA	CLIP	SUJETADOR	AGRAFE

CONTROLES  
CONTROLS  
CONTROLES  
CONTRÔLES

GRUPO  
GROUP 73/137  
GRUPO 73/164  
GROUPE





**CONTROLES**  
**CONTROLS**  
**CONTROLES**  
**CONTRÔLES**

**GRUPO**  
**GROUP** 73/137  
**GRUPO** 73/164  
**GROUPE**

1 3653K004  
2 3175H001

1 SUPORTE  
1 MOLA

BRACKET  
SPRING

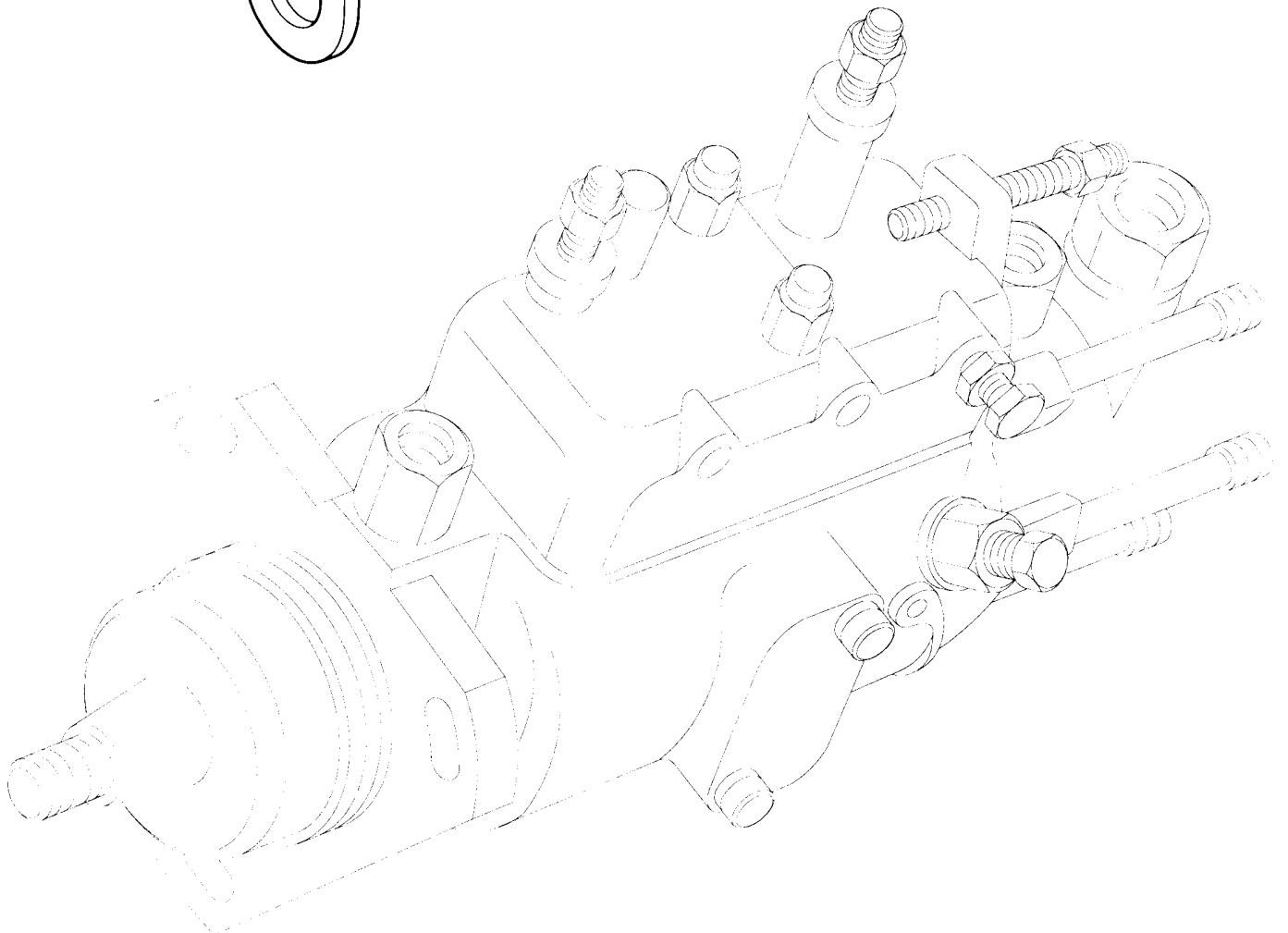
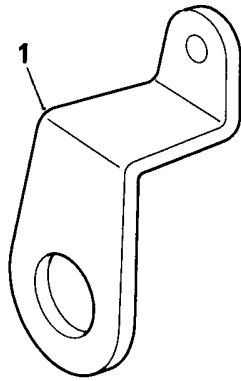
SOPORTE  
RESSORTE

SUPPORT  
RESSORT

CONTROLES  
CONTROLS  
CONTROLES  
CONTRÔLES

GRUPO  
GROUP  
GRUPO  
GROUPE

73/163



CONTROLES  
CONTROLS  
CONTROLES  
CONTRÔLES

GRUPO  
GROUP 73/163  
GRUPO  
GROUPE

1 3653K004

1 SUPORTE

BRACKET

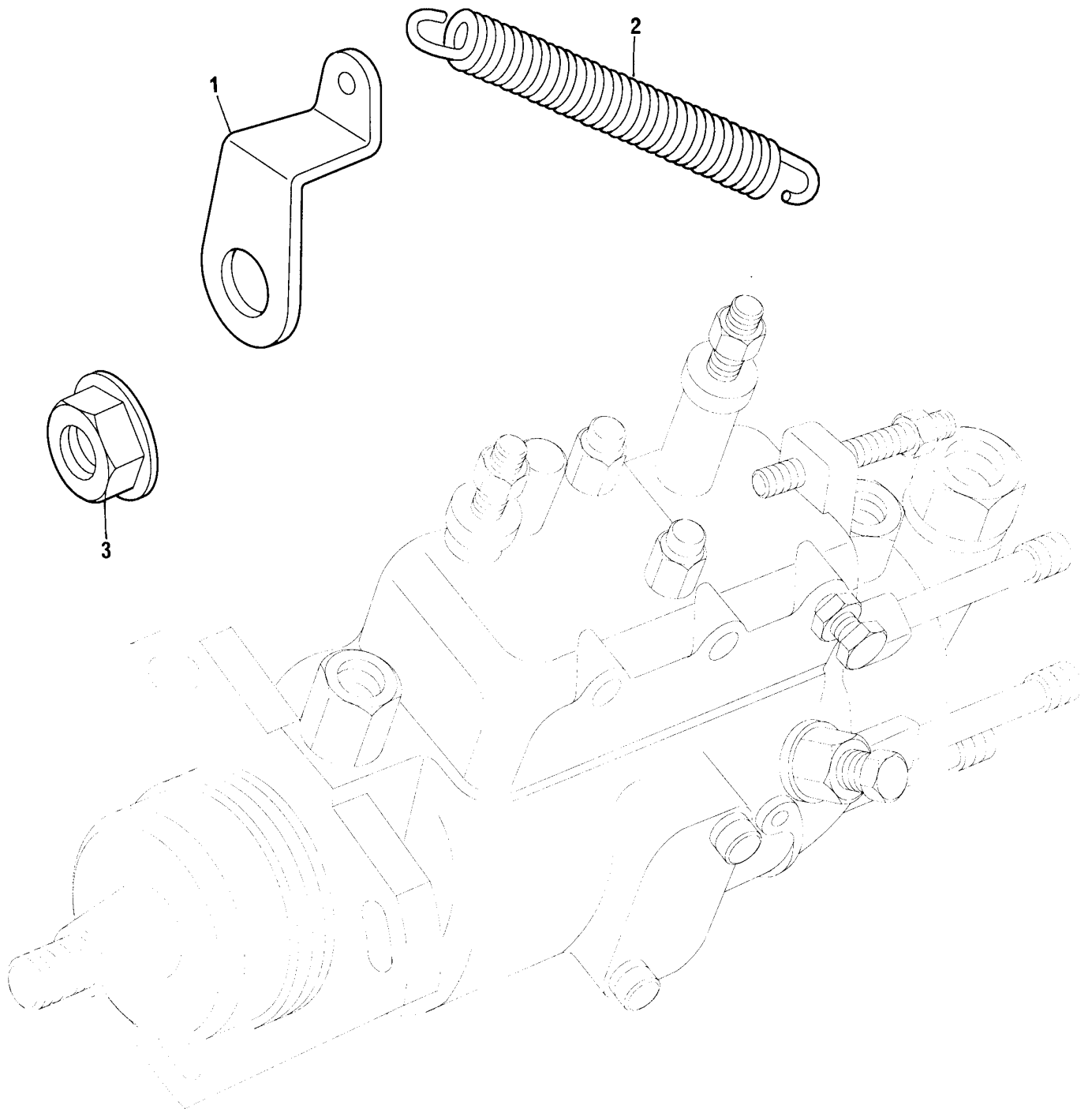
SOPORTE

SUPPORT

CONTROLES  
CONTROLS  
CONTROLES  
CONTRÔLES

GRUPO  
GROUP  
GRUPO  
GROUPE

73/165



**CONTROLES**  
**CONTROLS**  
**CONTROLES**  
**CONTRÔLES**

**GRUPO**  
**GROUP**  
**GRUPO**  
**GROUPE**

**73/165**

1 3653K004  
2 3175H001  
3 2318A604

1 SUPORTE  
1 MOLA  
2 PORCA

BRACKET  
SPRING  
NUT

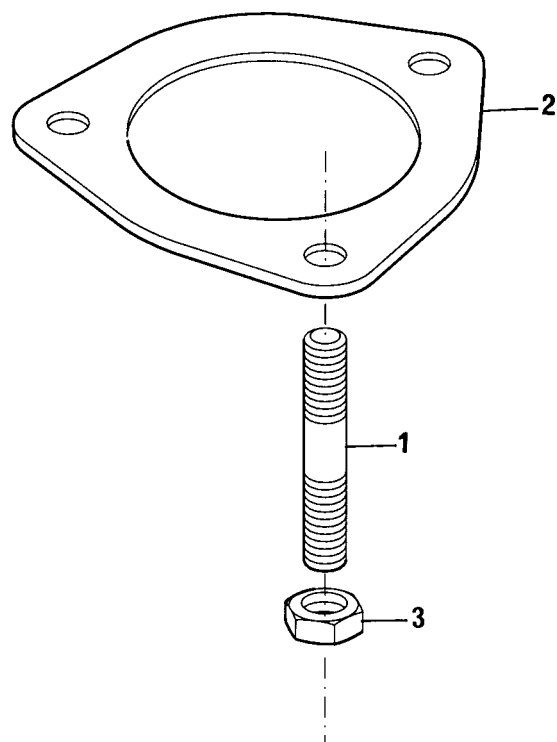
SOPORTE  
RESSORTE  
TUERCA

SUPPORT  
RESSORT  
ÉCROU

SISTEMA DE ESCAPE  
EXHAUST SYSTEM  
SISTEMA DE ESCAPE  
SYSTEME D'ÉCHAPPEMENT

GRUPO  
GROUP  
GRUPO  
GROUPE

74/90



**SISTEMA DE ESCAPE  
EXHAUST SYSTEM  
SISTEMA DE ESCAPE  
SYSTEME D'ÉCHAPPEMENT**

**GRUPO  
GROUP  
GRUPO  
GROUPE** **74/90**

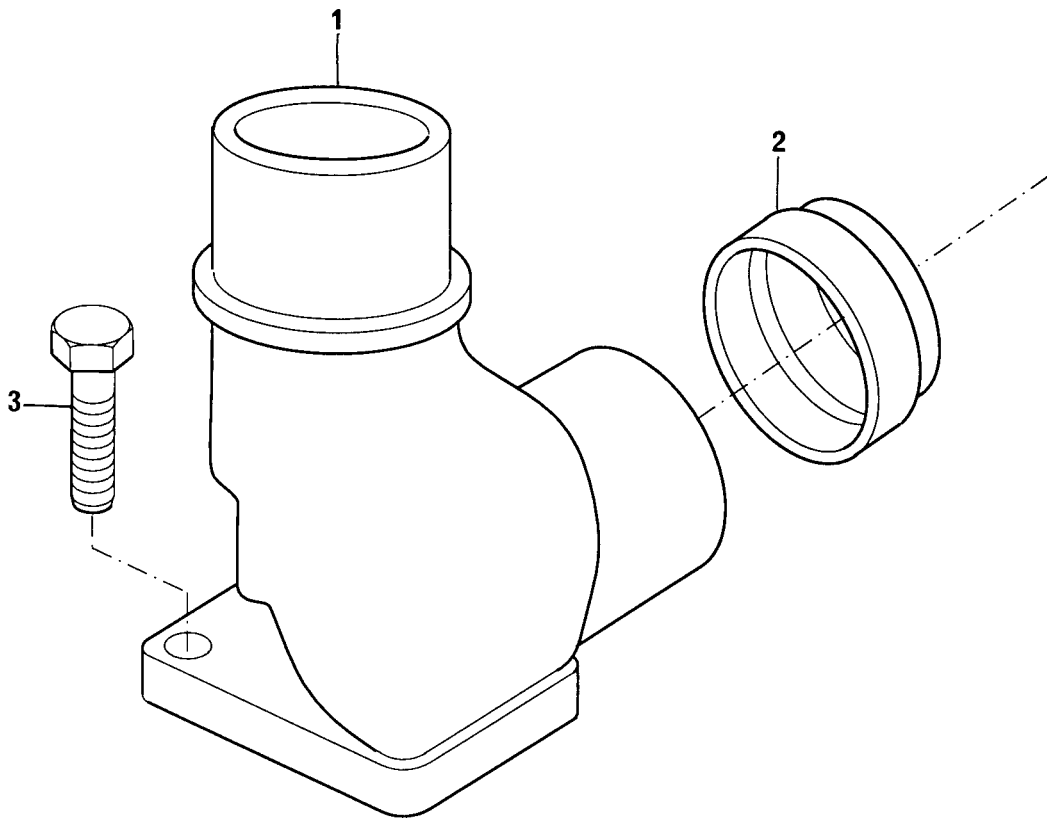
1 2313C077  
2 70490249  
3 2318A634

3 PRISIONEIRO STUD  
1 JUNTA JOINT  
3 PORCA NUT

ESPÁRRAGO GOUJON  
JUNTA JOINT  
TUERCA ÉCROU

SISTEMA DE ESCAPE  
EXHAUST SYSTEM  
SISTEMA DE ESCAPE  
SYSTEME D'ÉCHAPPEMENT

GRUPO  
GROUP 74/91  
GRUPO  
GROUPE





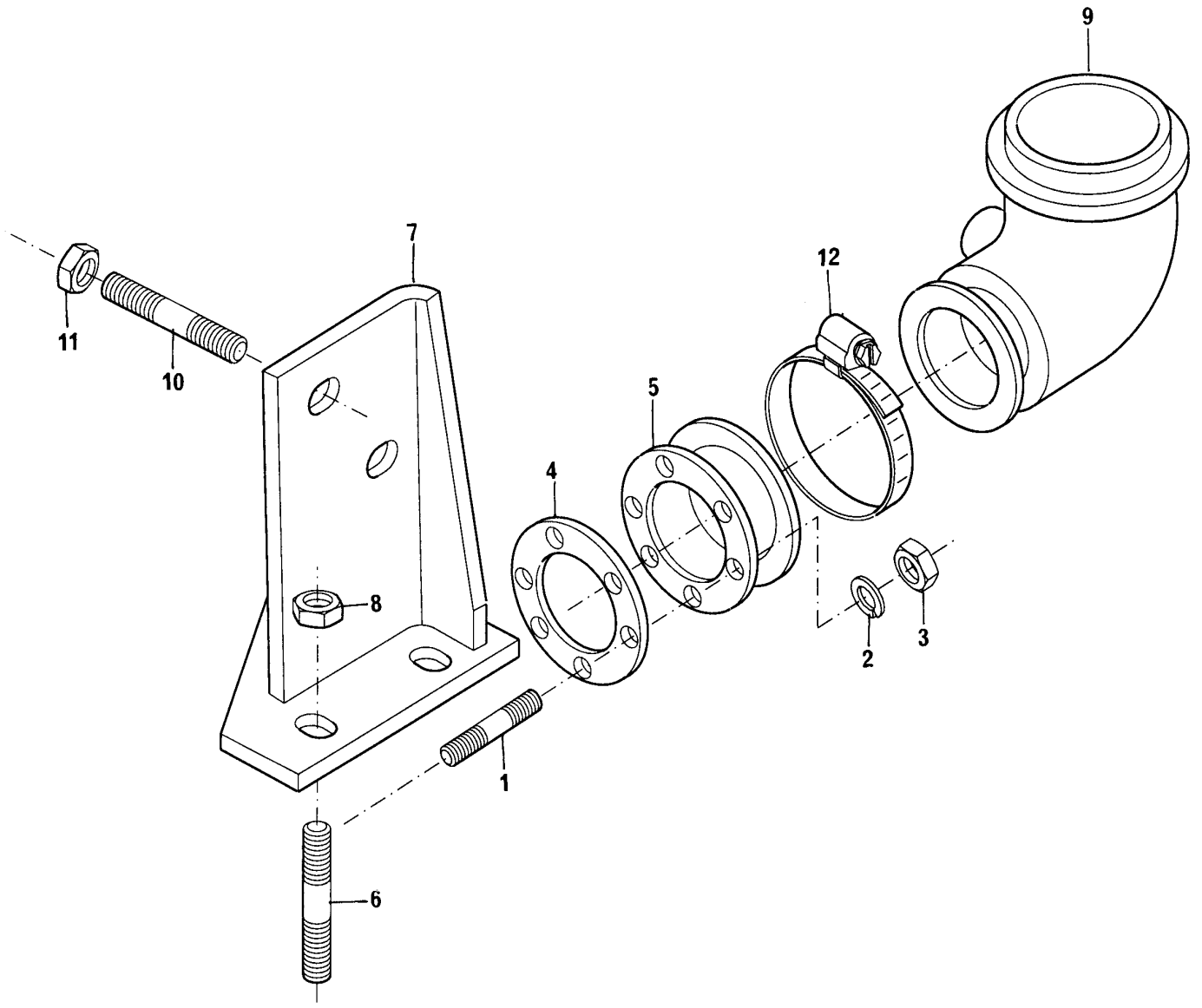
**SISTEMA DE ESCAPE**  
**EXHAUST SYSTEM**  
**SISTEMA DE ESCAPE**  
**SYSTEME D'ÉCHAPPEMENT**

**GRUPO**  
**GROUP** 74/91  
**GRUPO**  
**GROUPE**

1	37731881		1	ADAPTADOR	ADAPTOR	ADAPTADOR	ADAPTATEUR
2	33422631		1	ADAPTADOR	ADAPTOR	ADAPTADOR	ADAPTATEUR
3	2314J002	M10X20	4	PARAFUSO	BOLT	TORNILLO	VIS

SISTEMA DE ESCAPE  
EXHAUST SYSTEM  
SISTEMA DE ESCAPE  
SYSTEME D'ÉCHAPPEMENT

GRUPO  
GROUP 74/300  
GRUPO  
GROUPE



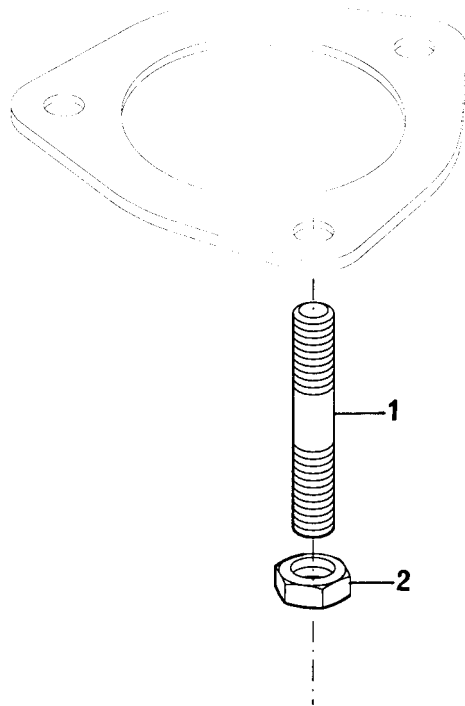
**SISTEMA DE ESCAPE**  
**EXHAUST SYSTEM**  
**SISTEMA DE ESCAPE**  
**SYSTEME D'ÉCHAPPEMENT**

**GRUPO**  
**GROUP** **74/300**  
**GRUPO**  
**GROUPE**

1	2313C058		6	PRISIONEIRO	STUD	ESPÁRRAGO	GOUJON
2	0920003		6	ARRUELA	WASHER	ARANDELA	RONDELLE
3	2318A208		6	PORCA	NUT	TUERCA	ÉCROU
4	33415509		1	JUNTA	JOINT	JUNTA	JOINT
5	70470073		1	ADAPTADOR	ADAPTOR	ADAPTADOR	ADAPTATEUR
6	2313C077		4	PRISIONEIRO	STUD	ESPÁRRAGO	GOUJON
7	70100740		1	SUPORTE	BRACKET	SOPORTE	SUPPORT
8	2318A604		4	PORCA	NUT	TUERCA	ÉCROU
9	70540127		1	COTOVELO	ELBOW	CODO	COUDE
10	0826408	●○ 0826412	2	PRISIONEIRO	STUD	ESPÁRRAGO	GOUJON
11	70570082		2	PORCA	NUT	TUERCA	ÉCROU
12	70180146		1	BRAÇADEIRA	CLAMP	ABRAZADERA	COLLIER

SISTEMA DE ESCAPE  
EXHAUST SYSTEM  
SISTEMA DE ESCAPE  
SYSTEME D'ÉCHAPPEMENT

GRUPO  
GROUP 74/309  
GRUPO  
GROUPE



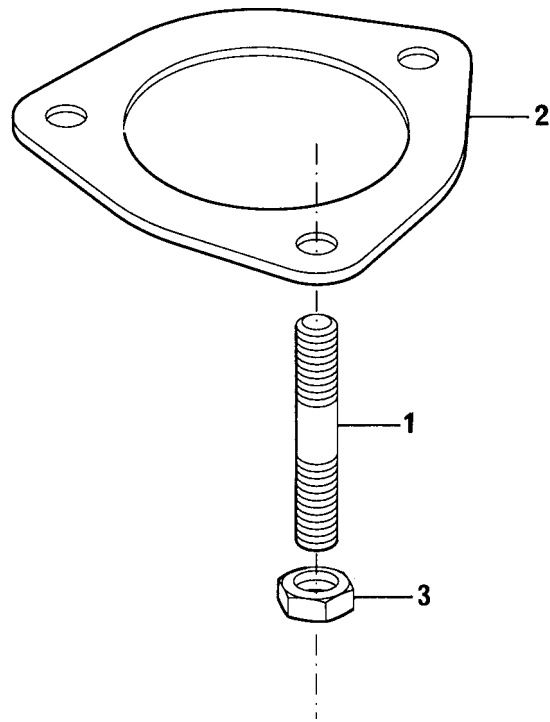
**SISTEMA DE ESCAPE**  
**EXHAUST SYSTEM**  
**SISTEMA DE ESCAPE**  
**SYSTEME D'ÉCHAPPEMENT**

**GRUPO**  
**GROUP** 74/309  
**GRUPO**  
**GROUPE**

1	2313C077	M10X25	3 PRISIONEIRO	STUD	ESPÁRRAGO	GOUJON
2	2318A634		3 PORCA	NUT	TUERCA	ÉCROU

SISTEMA DE ESCAPE  
EXHAUST SYSTEM  
SISTEMA DE ESCAPE  
SYSTEME D'ÉCHAPPEMENT

GRUPO  
GROUP 74/310  
GRUPO  
GROUPE



**SISTEMA DE ESCAPE**  
**EXHAUST SYSTEM**  
**SISTEMA DE ESCAPE**  
**SYSTEME D'ÉCHAPPEMENT**

**GRUPO**  
**GROUP** 74/310  
**GRUPO**  
**GROUPE**

1 2313C078  
2 3688C018  
3 2318A634

3 PRISIONEIRO  
1 JUNTA  
3 PORCA

STUD  
JOINT  
NUT

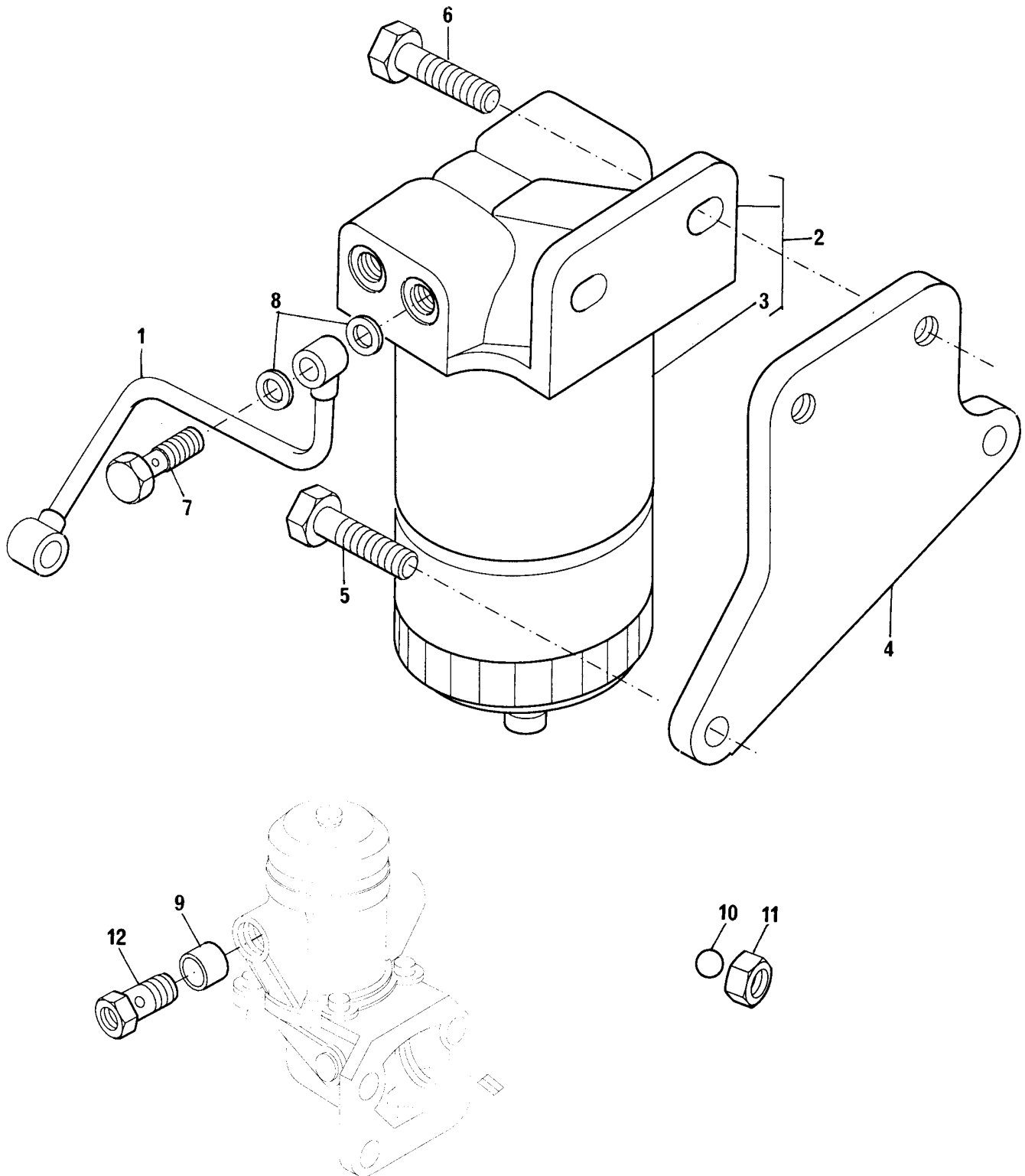
ESPÁRRAGO  
JUNTA  
TUERCA

GOUJON  
JOINT  
ÉCROU

SISTEMA DE COMBUSTÍVEL  
FUEL SYSTEM  
SISTEMA DE COMBUSTIBLE  
SYSTEME DE COMBUSTIBLE

GRUPO  
GROUP  
GRUPO  
GROUPE

75/141





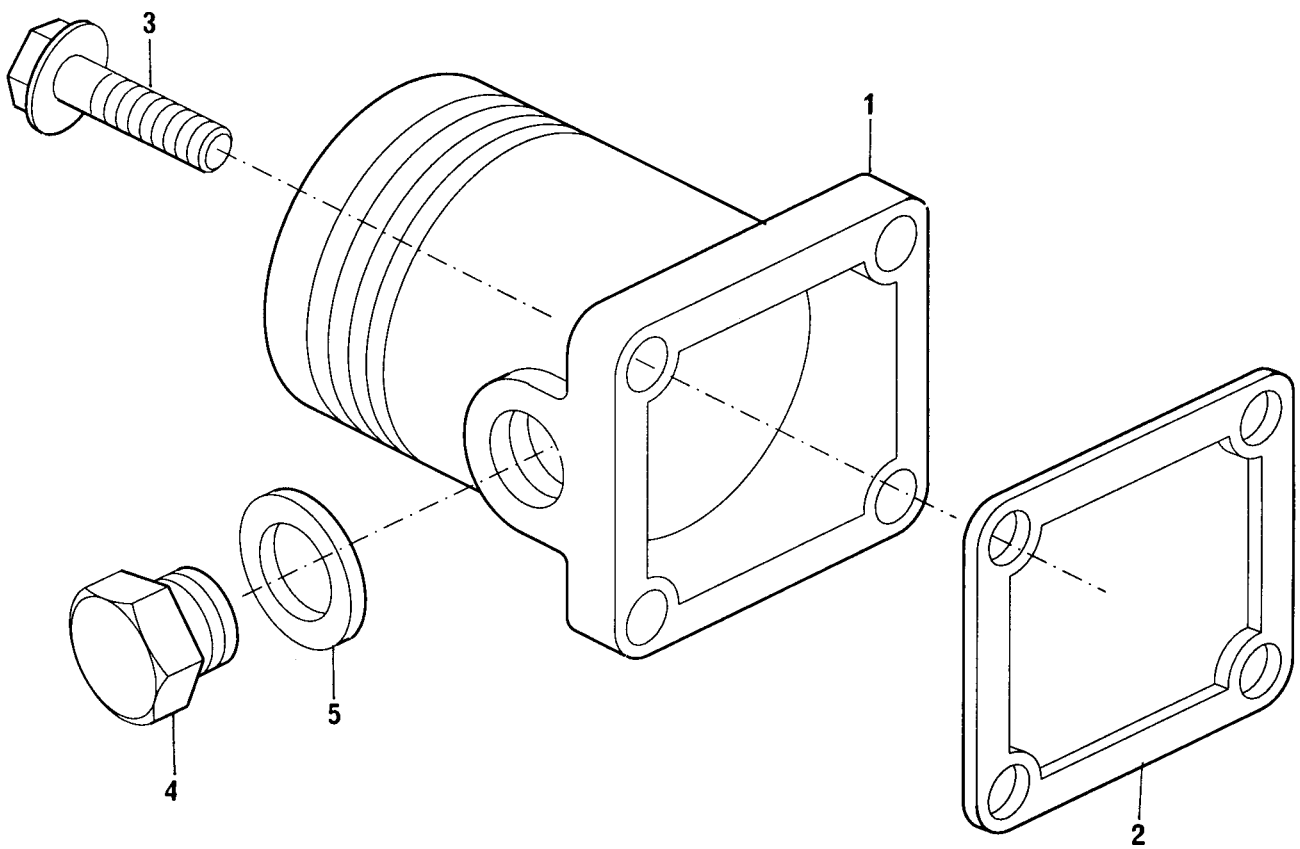
**SISTEMA DE COMBUSTÍVEL**  
**FUEL SYSTEM**  
**SISTEMA DE COMBUSTIBLE**  
**SYSTEME DE COMBUSTIBLE**

**GRUPO**  
**GROUP** 75/141  
**GRUPO**  
**GROUPE**

1	70992752		1	TUBO	PIPE	CAÑO	TUYAUTERIE
2	72090		1	PRÉ-FILTRO	PRÉ-FILTRE	PRÉ-FILTRO	PRÉ-FILTRE
3	6354130	2	1	ELEMENTO	ELEMENT	ELEMENTO	ÉLÉMENT
4	70100698		1	SUPORTE	BRACKET	SOPORTE	SUPPORT
5	2314H004		2	PARAFUSO	BOLT	TORNILLO	VIS
6	70740177		2	PARAFUSO	BOLT	TORNILLO	VIS
7	70740343		2	PARAFUSO BANJO	BANJO BOLT	TORNILLO BANJO	VIS BANJO
8	70920115		4	ARRUELA	WASHER	ARANDELA	RONDELLE
9	0566004		2	OLIVA	OLIVE	OLIVA	OLIVE
10	70690005		1	ESFERA	BALL	BOLA	BILLE
11	0576113		1	PORCA	NUT	TUERCA	ÉCROU
12	0571346		1	PORCA	NUT	TUERCA	ÉCROU

SISTEMA DE ADMISSÃO  
INDUCTION SYSTEM  
SISTEMA DE ADMISIÓN  
SYSTEME D'ADMISSION

GRUPO  
GROUP 76/24  
GRUPO 76/28  
GROUPE



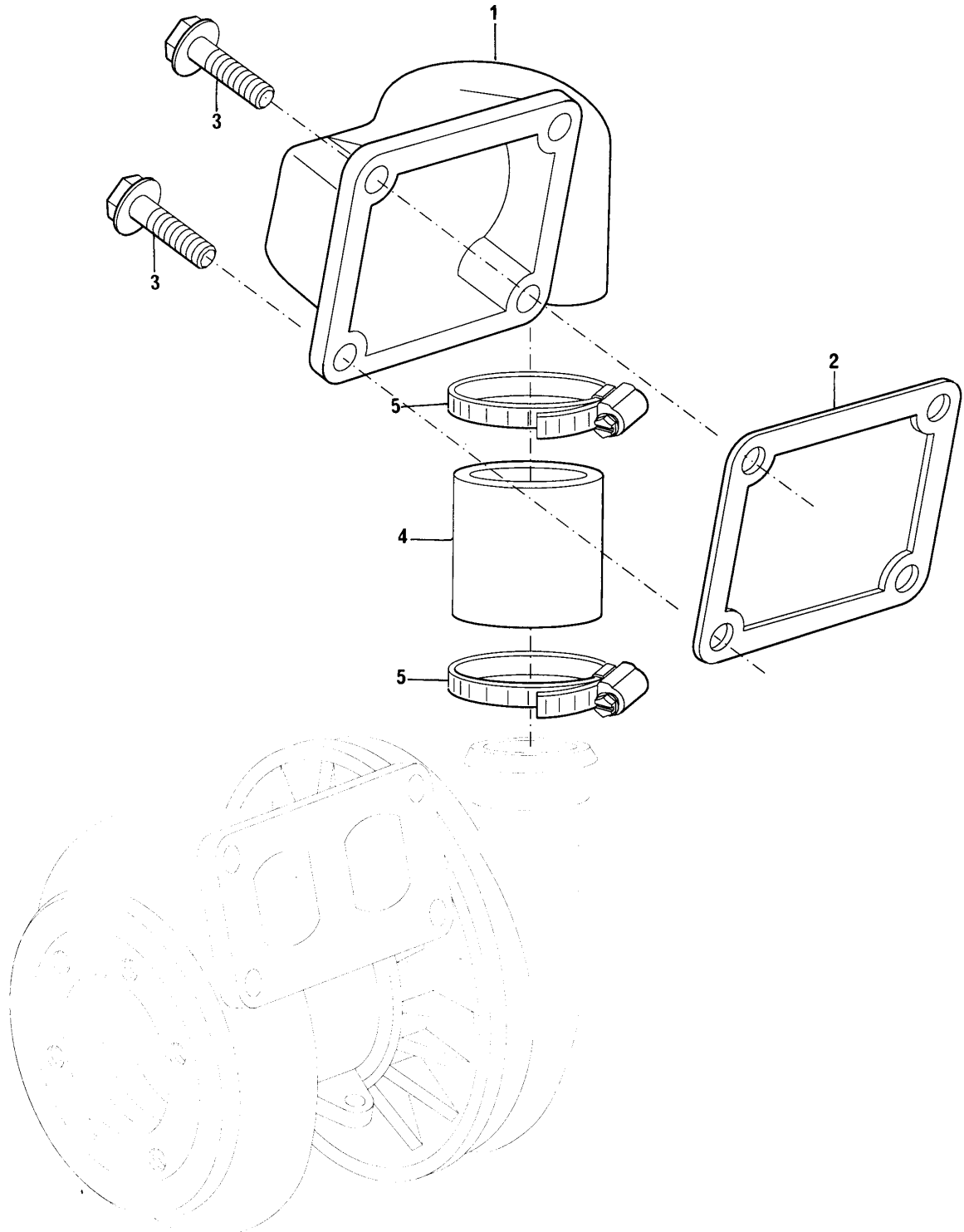
**SISTEMA DE ADMISSÃO  
INDUCTION SYSTEM  
SISTEMA DE ADMISIÓN  
SYSTEME D'ADMISSION**

**GRUPO  
GROUP 76/24  
GRUPO 76/28  
GROUPE**

1 3766P071	1 CONEXÃO	CONNECTION	CONEXIÓN	RACCORD
2 3684N008	1 JUNTA	JOINT	JUNTA	JOINT
3 2314J003	4 PARAFUSO	BOLT	TORNILLO	VIS
4 80650722	1 BUJÃO	PLUG	TAPÓN	BOUCHON
5 70920065	1 ARRUELA	WASHER	ARANDELA	RONDELLE

SISTEMA DE ADMISSÃO  
INDUCTION SYSTEM  
SISTEMA DE ADMISIÓN  
SYSTEME D'ADMISSION

GRUPO  
GROUP 76/25  
GRUPO 76/29  
GROUPE



**SISTEMA DE ADMISSÃO  
INDUCTION SYSTEM  
SISTEMA DE ADMISIÓN  
SYSTEME D'ADMISSION**

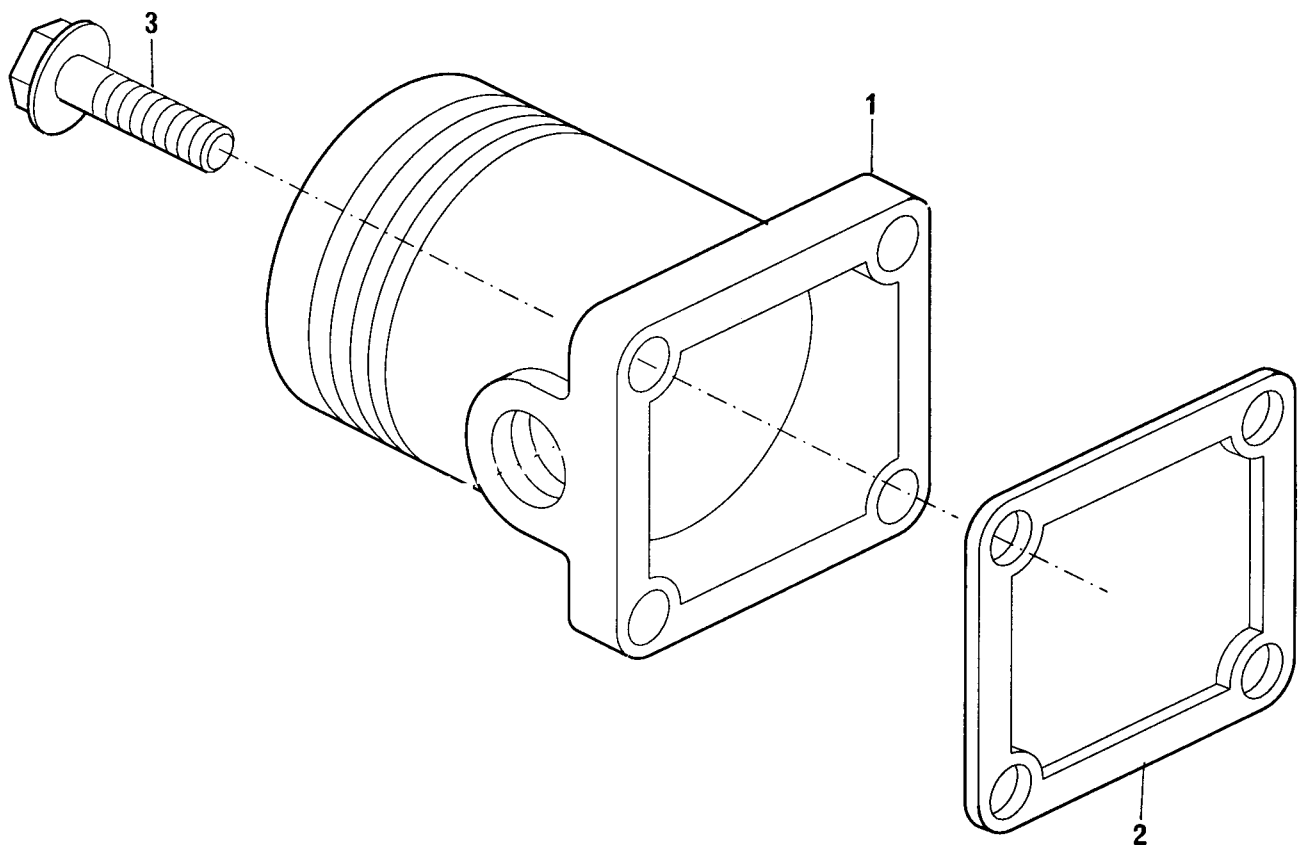
**GRUPO  
GROUP 76/25  
GRUPO 76/29  
GROUPE**

1	3766P194		1	COTOVELO	ELBOW	CODO	COUDE
2	3684N008		1	JUNTA	JOINT	JUNTA	JOINT
3	2314J004	M10X30	4	PARAFUSO	BOLT	TORNILLO	VIS
4	3383E011		1	MANGUEIRA	HOSE	MANGUERA	DURITE
5	70180157		2	BRAÇADEIRA	CLAMP	ABRAZADERA	COLLIER

SISTEMA DE ADMISSÃO  
INDUCTION SYSTEM  
SISTEMA DE ADMISIÓN  
SYSTEME D'ADMISSION

GRUPO  
GROUP  
GRUPO  
GROUPE

76/30



**SISTEMA DE ADMISSÃO  
INDUCTION SYSTEM  
SISTEMA DE ADMISIÓN  
SYSTEME D'ADMISSION**

**GRUPO  
GROUP  
GRUPO  
GROUPE** **76/30**

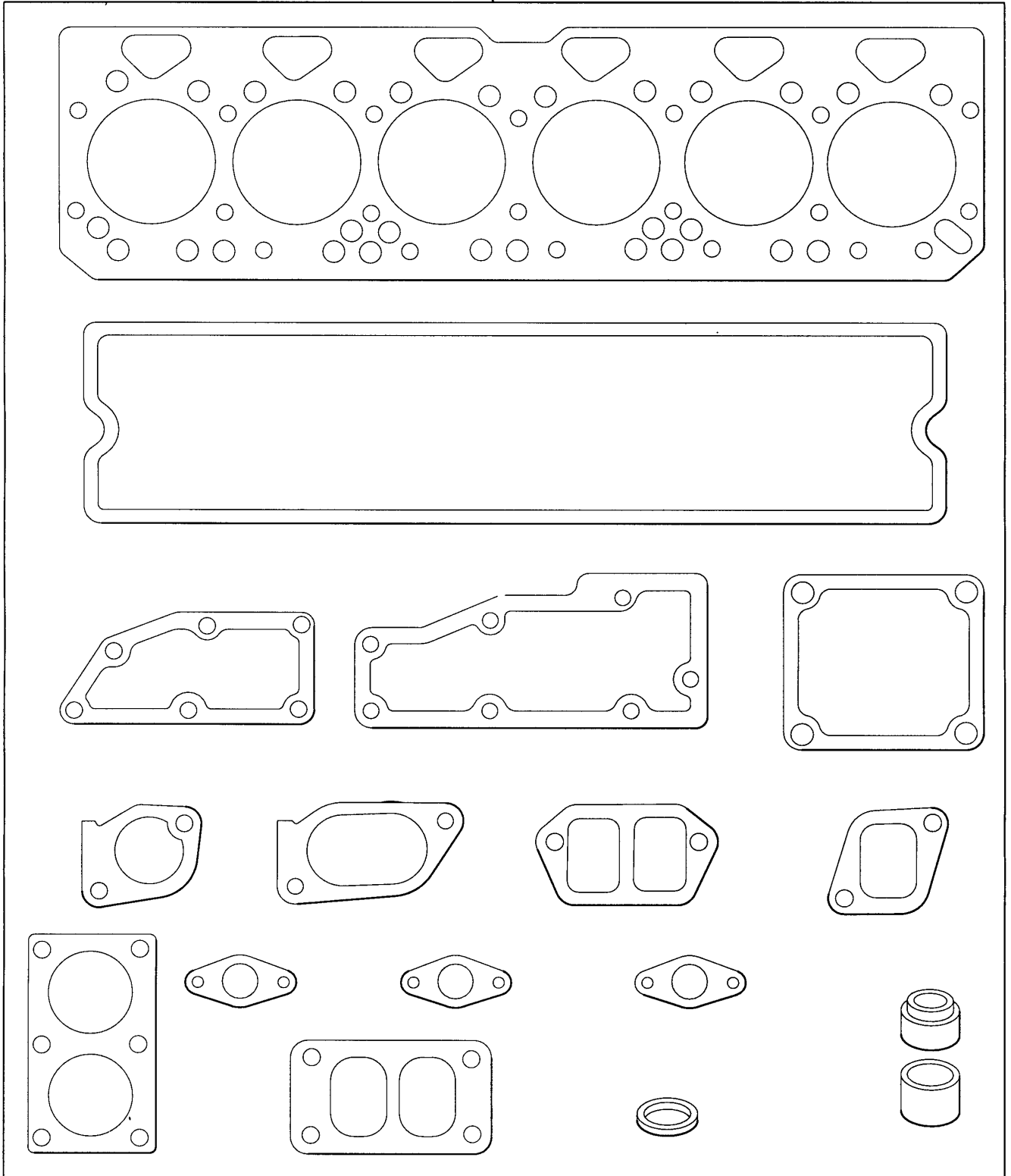
1	3766P071		1 CONEXÃO	CONNECTION	CONEXIÓN	RACCORD
2	3684N008		1 JUNTA	JOINT	JUNTA	JOINT
3	2314J003	M10X25	4 PARAFUSO	BOLT	TORNILLO	VIS

JOGO DE JUNTAS DO CABEÇOTE  
CYLINDER HEAD GASKETS SET  
JUEGO DE JUNTAS DE LA CULATA  
JEU DE JOINTS DE LA CULASSE

GRUPO  
GROUP  
GRUPO  
GROUPE

00/82

1





JOGO DE JUNTAS DO CABEÇOTE  
CYLINDER HEAD GASKETS SET  
JUEGO DE JUNTAS DE LA CULATA  
JEU DE JOINTS DE LA CULASSE

GRUPO  
GROUP 00/82  
GRUPO  
GROUPE

1 S1006

1 JOGO JUNTAS

GASKETS SET

JUEGO DE JUNTAS

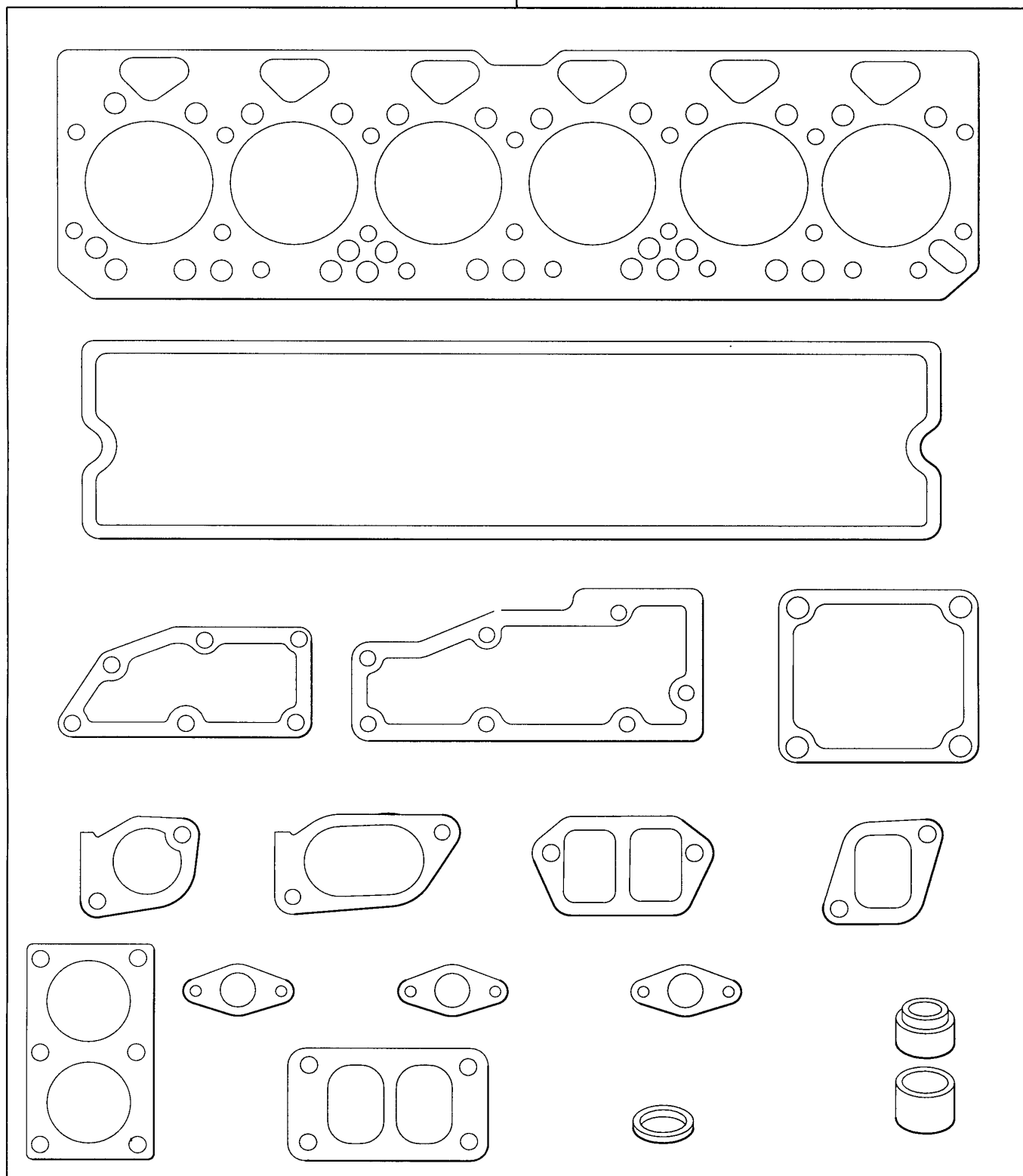
JEU DE JOINTS

JOGO DE JUNTAS DO CABEÇOTE  
CYLINDER HEAD GASKETS SET  
JUEGO DE JUNTAS DE LA CULATA  
JEU DE JOINTS DE LA CULASSE

GRUPO  
GROUP  
GRUPO  
GROUPE

00/83

1



JOGO DE JUNTAS DO CABEÇOTE  
CYLINDER HEAD GASKETS SET  
JUEGO DE JUNTAS DE LA CULATA  
JEU DE JOINTS DE LA CULASSE

GRUPO  
GROUP 00/83  
GRUPO  
GROUPE

1 S1007

1 JOGO JUNTAS

GASKETS SET

JUEGO DE JUNTAS

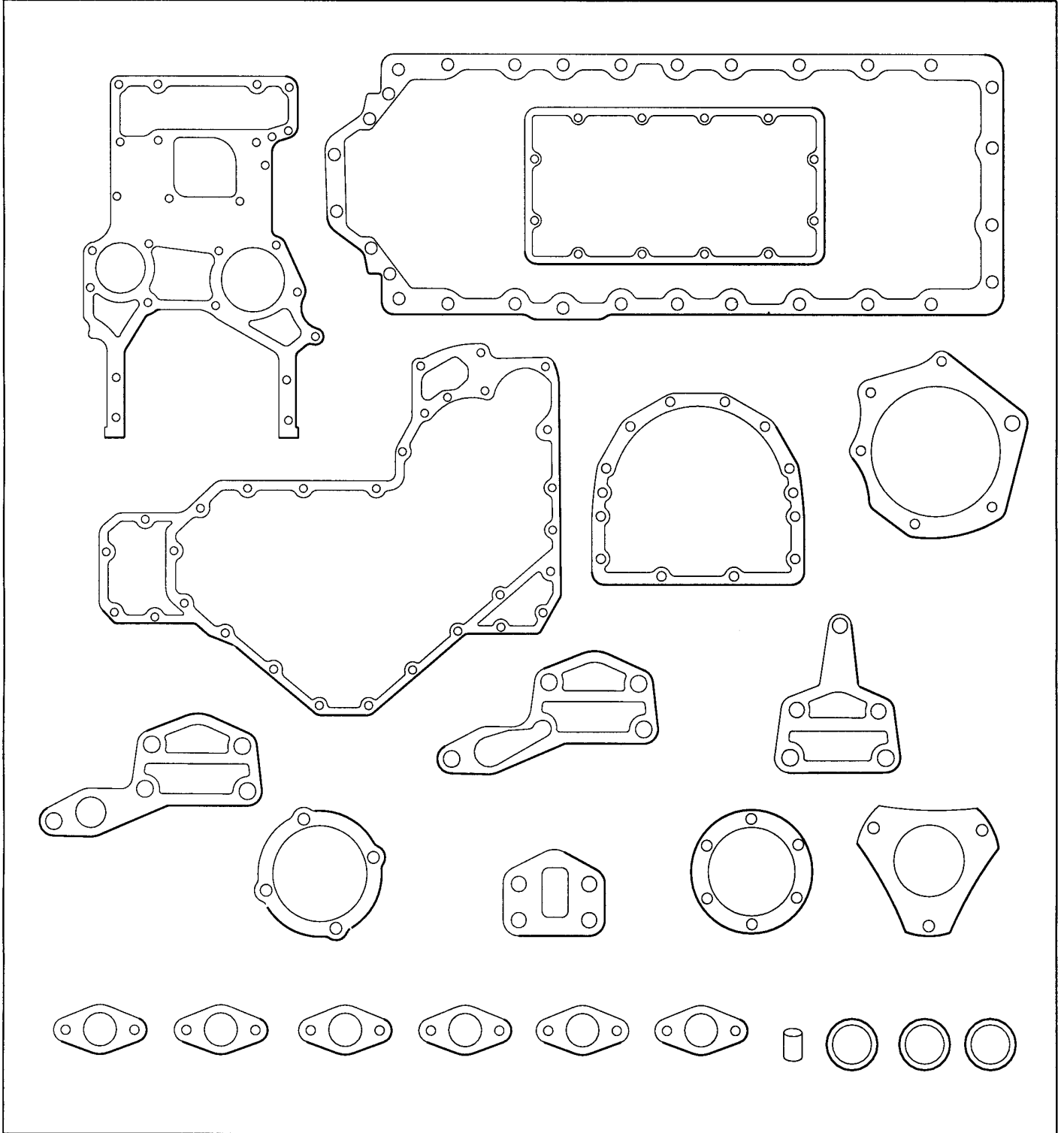
JEU DE JOINTS

JOGO DE JUNTAS DO BLOCO  
CYLINDER BLOCK JOINTS SET  
JUEGO DE JUNTAS DEL BLOQUE  
JEU DE JOINTS DU BLOC

GRUPO  
GROUP  
GRUPO  
GROUPE

00/84

1



JOGO DE JUNTAS DO BLOCO  
CYLINDER BLOCK JOINTS SET  
JUEGO DE JUNTAS DEL BLOQUE  
JEU DE JOINTS DU BLOC

GRUPO  
GROUP 00/84  
GRUPO  
GRUPE

1 S1008

1 JOGO DE JUNTAS JOINTS SET

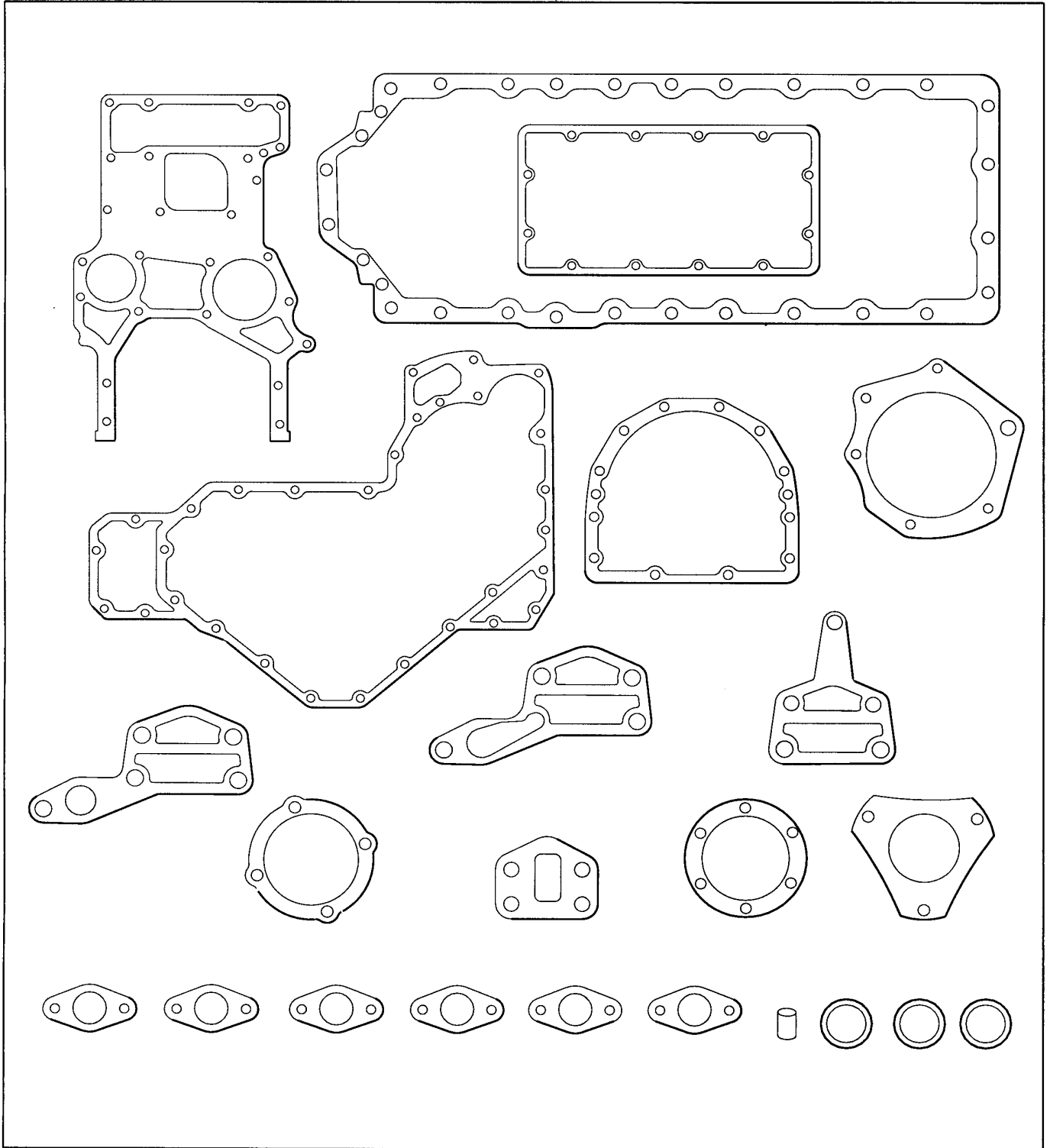
JUEGO DE JUNTAS JEU DE JOINTS

JOGO DE JUNTAS DO BLOCO  
CYLINDER BLOCK JOINTS SET  
JUEGO DE JUNTAS DEL BLOQUE  
JEU DE JOINTS DU BLOC

GRUPO  
GROUP  
GRUPO  
GROUPE

00/85

1



JOGO DE JUNTAS DO BLOCO  
CYLINDER BLOCK JOINTS SET  
JUEGO DE JUNTAS DEL BLOQUE  
JEU DE JOINTS DU BLOC

GRUPO  
GROUP 00/85  
GRUPO  
GRUPO  
GROUPE

1 S1009

1 JOGO DE JUNTAS

JOINTS SET

JUEGO DE JUNTAS

JEU DE JOINTS