

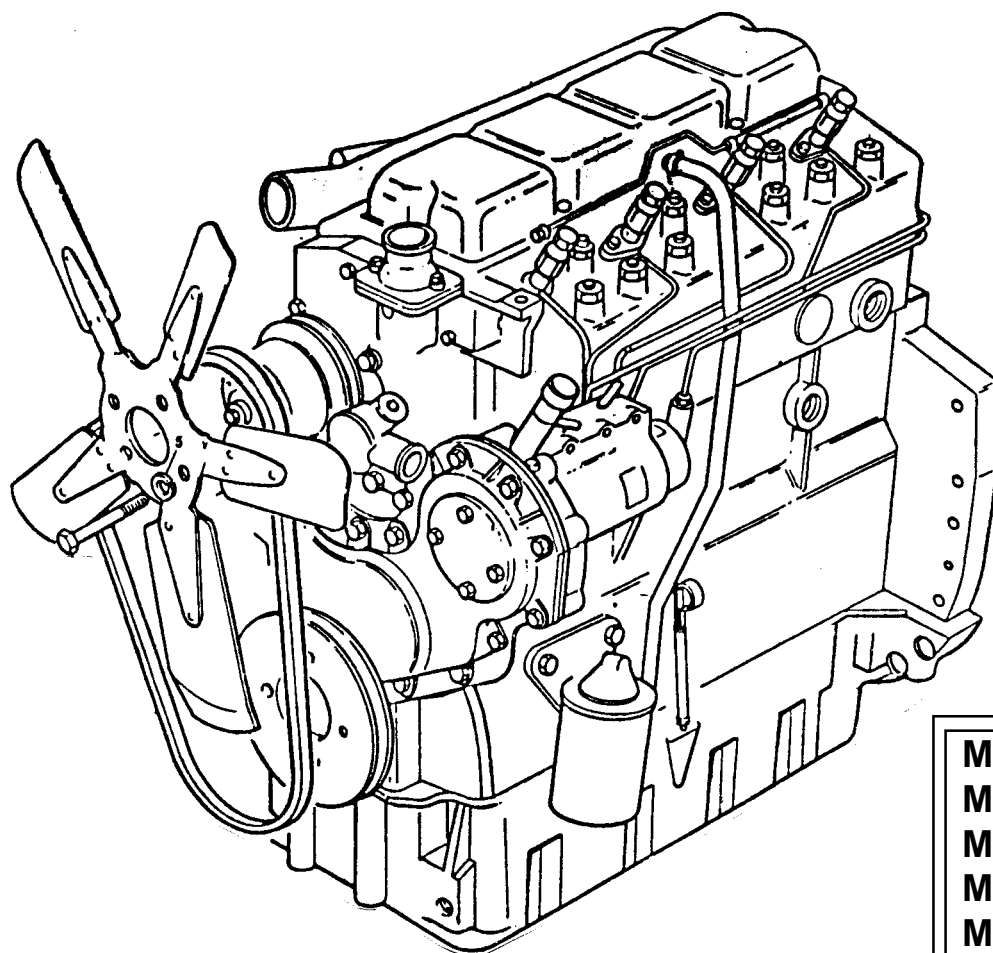


INTERNATIONAL[®] *Engines*

CATÁLOGO DE PEÇAS
PARTS BOOK
CATÁLOGO DE REPUESTOS
CATALOGUE DE PIÈCES

4.236 / T4.236

4.248



| | |
|--------|-----|
| MF | 86 |
| MF | 96 |
| MF | 265 |
| MF | 270 |
| MF | 272 |
| MF | 275 |
| MF | 283 |
| MF | 290 |
| MF | 292 |
| MAXION | 750 |

ÍNDICE NUMÉRICO
 NUMERICAL INDEX
 INDICE NUMERICO
 INDEX NUMERIQUE

4.236 / T4.236
 4.248

NUMEROS INTERNATIONAL
 INTERNATIONAL NUMBERS
 NUMEROS INTERNATIONAL
 NUMEROS INTERNATIONAL

| PEÇA NÚMERO | GRUPOS | PEÇA NÚMERO | GRUPOS | PEÇA NÚMERO | GRUPOS |
|-------------|--------|-------------|--------|-------------|--------|
| S4004 | 11/33 | 77250 | 39/133 | 423670 A | 14/27 |
| | 11/36 | 77251 | 39/75 | | 14/35 |
| | 13/13 | 77271 | 48/80 | 423670 B | 13/13 |
| | 13/27 | | 48/118 | | 13/27 |
| | 13/41 | 77272 | 39/142 | | 13/41 |
| S4025 | 11/58 | 77327 | 39/177 | | 14/14 |
| | 13/38 | 77328 | 39/173 | | 14/21 |
| 38367 | 39/78 | 77335 | 39/175 | | 14/27 |
| 71054 | 33/21 | 77336 | 39/176 | 423670 C | 14/35 |
| | 33/101 | 77339 | 48/96 | | 13/13 |
| | 33/116 | | 48/151 | | 13/27 |
| 72032 | 42/165 | 77340 | 48/96 | | 13/41 |
| 72040 | 75/105 | | 48/151 | | 14/14 |
| | 75/122 | 77341 | 48/96 | | 14/21 |
| 72044 | 42/177 | | 48/151 | | 14/27 |
| | 42/197 | 77386 | 39/186 | 424804 | 11/33 |
| 72045 | 75/105 | 77396 | 39/199 | | 11/33 |
| | 75/122 | 77511 | 39/240 | | 11/36 |
| 72046 | 75/105 | 79007 | 58/07 | | 14/14 |
| | 75/122 | 423614 | 14/14 | | 14/21 |
| 72048 | 75/105 | 423617 | 00/17 | | 14/27 |
| | 75/122 | 423651 | 42/165 | | 14/35 |
| 72054 | 75/105 | | 42/177 | 424807 | 18/14 |
| | 75/122 | | 42/197 | | 18/22 |
| 72059 | 75/105 | | 42/271 | | 18/25 |
| | 75/122 | 423669 | 13/13 | | 18/26 |
| 72083 | 42/177 | | 13/27 | | 18/28 |
| | 42/197 | | 13/38 | | 18/42 |
| 72088 | 42/94 | | 13/41 | 424808 | 13/13 |
| | 42/165 | 423669 A | 13/13 | | 13/27 |
| | 42/211 | | 13/27 | | 13/38 |
| 72089 | 42/165 | | 13/38 | | 13/41 |
| | 42/177 | | 13/41 | 424808 A | 13/13 |
| | 42/197 | 423669 B | 13/13 | | 13/27 |
| 72095 | 42/39 | | 13/27 | | 13/38 |
| | 42/60 | | 13/38 | | 13/41 |
| 72111 | 42/271 | | 13/41 | 424819 | 15/06 |
| 72113 | 75/19 | 423669 C | 13/13 | | 15/17 |
| 72122 | 15/18 | | 13/27 | 424823 | 18/14 |
| 72130 | 42/271 | | 13/38 | | 18/22 |
| 73071 | 47/18 | | 41 | | 18/25 |
| | 47/32 | 423670 | 13/13 | | 18/26 |
| 74083 | 39/186 | | 13/27 | | 18/28 |
| | 39/199 | | 13/41 | | 18/42 |
| 74320 | 39/240 | | 14/14 | 424828 | 20/17 |
| 75053 | 33/101 | | 14/21 | 424836 | 11/36 |
| 77206 | 48/39 | | 14/27 | 424843 | 11/36 |
| | 48/62 | | 14/35 | | 14/27 |
| | 48/95 | 423670 A | 13/13 | 424845 | 11/36 |
| 77207 | 48/39 | | 13/27 | 424857 | 56/26 |
| | 48/62 | | 13/41 | | 56/69 |
| | 48/95 | | 14/14 | | 56/107 |
| 77246 | 39/132 | | 14/21 | 424858 | 11/36 |

ÍNDICE NUMÉRICO
NUMERICAL INDEX
INDICE NUMERICO
INDEX NUMERIQUE

4.236 / T4.236
4.248

NUMEROS INTERNATIONAL
INTERNATIONAL NUMBERS
NUMEROS INTERNATIONAL
NUMEROS INTERNATIONAL

| PEÇA NÚMERO | GRUPOS | PEÇA NÚMERO | GRUPOS | PEÇA NÚMERO | GRUPOS |
|--------------------|--------|------------------------|--------|-------------|--------|
| 424865 | 11/36 | 0096238 | 12/16 | 0096634 | 18/42 |
| 424875 | 56/26 | | 37/28 | 0170040 | 56/26 |
| 635477 | 11/58 | | 56/78 | | 56/60 |
| | 14/28 | 0096239 | 12/16 | | 56/107 |
| 0020005 | 48/62 | 0096241 | 31/51 | 0170151 | 18/14 |
| | 75/19 | | 31/67 | | 18/22 |
| 0020007 | 42/211 | | 31/114 | | 18/25 |
| 0050345 | 22/08 | | 31/137 | | 18/26 |
| | 22/13 | | 31/144 | | 18/28 |
| 0095315 | 48/36 | | 31/145 | | 18/42 |
| | 48/39 | | 31/183 | 0180637 | 42/165 |
| | 48/62 | 0096242 | 31/114 | | 42/177 |
| | 48/74 | | 31/145 | | 42/197 |
| | 48/75 | 0096431 | 42/165 | 0201397 | 42/165 |
| | 48/80 | | 42/177 | 0201526 | 75/19 |
| | 48/90 | | 42/197 | | 75/105 |
| | 48/95 | | 75/105 | | 75/122 |
| | 48/96 | 0096433 | 37/28 | 0350005 | 15/06 |
| | 48/118 | 0096434 | 37/28 | | 15/17 |
| 0095344 | 42/165 | | 56/26 | 0350009 | 20/17 |
| | 42/177 | | 56/69 | 0350010 | 39/75 |
| | 42/197 | | 56/107 | | 39/78 |
| 0096214 | 31/51 | 0096435 | 44/128 | | 39/132 |
| | 31/67 | 0096437 | 42/39 | | 39/133 |
| | 31/137 | | 42/60 | | 39/142 |
| | 31/144 | | 42/94 | | 39/173 |
| | 31/183 | | 42/211 | | 39/175 |
| 0096215 | 31/51 | | 42/271 | | 39/176 |
| | 31/67 | 0096438 | 38/101 | | 39/177 |
| | 31/114 | 0096439 | 15/06 | | 39/186 |
| | 31/137 | | 15/17 | | 39/199 |
| | 31/144 | | 15/18 | | 39/240 |
| | 31/145 | | 15/21 | 0350042 | 15/18 |
| | 31/183 | | 22/08 | | 15/21 |
| 0096231 | 48/80 | | 37/28 | 0360027 | 35/38 |
| | 48/90 | | 38/29 | | 35/39 |
| | 48/96 | | 56/26 | 0410236 | 55/63 |
| | 48/118 | | 56/69 | 0500006 | 56/26 |
| | 56/78 | | 56/78 | | 56/69 |
| 0096232 | 48/36 | 0096440 | 38/101 | | 56/78 |
| | 48/39 | 0096441 | 15/06 | | 56/107 |
| | 48/62 | | 15/17 | 0500012 | 13/13 |
| | 48/74 | | 15/18 | | 13/27 |
| | 48/75 | | 15/21 | | 13/38 |
| | 48/95 | | 38/101 | | 13/41 |
| 0096233 | 35/39 | 0096442 | 15/18 | | 21/09 |
| 0096234 | 35/38 | | 15/21 | | 21/18 |
| | 56/78 | 0096446 | 38/101 | | 21/19 |
| 0096236 | 15/06 | 0096633 | 15/06 | 0566004 | 42/211 |
| | 15/17 | | 15/17 | | 75/105 |
| | 35/44 | 0096634 | 18/25 | | 75/122 |
| 0096237 | 15/06 | | 18/26 | 0576002 | 31/51 |
| | 15/17 | | 18/28 | | 31/67 |
| IMPRESSO NO BRASIL | | 4.236 / T4.236 / 4.248 | | 81000093 A | 02/03 |

ÍNDICE NUMÉRICO
NUMERICAL INDEX
INDICE NUMERICO
INDEX NUMERIQUE

4.236 / T4.236
4.248

NUMEROS INTERNATIONAL
INTERNATIONAL NUMBERS
NUMEROS INTERNATIONAL
NUMEROS INTERNATIONAL

| PEÇA NÚMERO | GRUPOS | PEÇA NÚMERO | GRUPOS | PEÇA NÚMERO | GRUPOS |
|-------------|--------|-------------|--------|-------------|--------|
| 0576002 | 31/137 | 0610879 | 15/06 | 0746251 | 40/111 |
| | 31/144 | | 15/17 | 0746252 | 47/32 |
| | 36/75 | 0640126 | 31/51 | 0746253 | 42/177 |
| | 42/39 | | 31/67 | | 42/197 |
| | 42/60 | | 31/114 | 0746254 | 34/38 |
| | 42/94 | | 31/137 | | 34/67 |
| | 42/177 | 0650507 | 18/14 | | 39/75 |
| | 42/197 | | 18/22 | | 39/78 |
| | 42/211 | | 18/25 | | 39/132 |
| | 42/271 | | 18/26 | | 39/133 |
| | 56/26 | | 18/28 | | 39/142 |
| | 56/69 | | 18/42 | | 39/173 |
| | 56/78 | 0650582 | 11/33 | | 39/175 |
| | 56/107 | | 11/36 | | 39/176 |
| | 58/07 | | 11/58 | | 39/177 |
| | 76/05 | 0650594 | 43/17 | | 39/186 |
| 0576007 | 56/26 | 0720579 | 18/14 | | 39/199 |
| | 56/69 | | 18/22 | | 39/240 |
| | 56/78 | | 18/25 | | 41/41 |
| | 56/107 | | 18/26 | | 41/54 |
| 0576051 | 37/28 | | 18/28 | 0746255 | 12/16 |
| | 38/29 | | 18/42 | | 17/10 |
| | 38/45 | 0726260 | 42/165 | | 17/16 |
| | 38/69 | | 42/177 | | 17/27 |
| | 38/77 | | 42/197 | | 17/31 |
| | 38/93 | | 48/36 | | 17/32 |
| | 42/165 | | 48/39 | | 17/35 |
| | 44/128 | | 48/62 | | 36/52 |
| | 49/15 | | 48/74 | | 36/69 |
| | 56/78 | | 48/75 | | 37/28 |
| | 75/105 | | 48/80 | | 42/39 |
| 0576052 | 18/14 | | 48/90 | 0746424 | 36/69 |
| | 18/22 | | 48/95 | | 37/77 |
| | 18/25 | | 48/96 | | 42/177 |
| | 18/26 | 0726262 | 58/07 | | 42/197 |
| | 18/28 | 0726504 | 18/14 | 0746453 | 36/24 |
| | 18/42 | | 18/22 | | 36/52 |
| | 56/26 | | 18/25 | | 36/69 |
| | 56/69 | | 18/26 | | 36/75 |
| | 56/107 | | 18/28 | | 42/165 |
| 0576054 | 18/14 | | 18/42 | | 42/177 |
| | 18/22 | | 73/19 | | 42/197 |
| 0576111 | 48/62 | 0746019 | 47/18 | | 49/15 |
| | 75/19 | | 47/32 | | 50/58 |
| 0576113 | 42/211 | 0746052 | 31/51 | 0746454 | 36/52 |
| | 75/105 | | 31/67 | | 36/69 |
| | 75/122 | | 31/137 | | 38/29 |
| 0610012 | 15/06 | | 31/144 | | 56/78 |
| | 15/17 | | 31/183 | 0746610 | 33/21 |
| 0610031 | 73/19 | 0746053 | 47/18 | | 33/101 |
| 0610844 | 21/09 | | 47/32 | 0746652 | 33/116 |
| | 21/18 | 0746211 | 12/16 | 0826017 | 48/80 |
| | 21/19 | | 36/52 | | 48/96 |

ÍNDICE NUMÉRICO
NUMERICAL INDEX
INDICE NUMERICO
INDEX NUMERIQUE

4.236 / T4.236
4.248

NUMEROS INTERNATIONAL
INTERNATIONAL NUMBERS
NUMEROS INTERNATIONAL
NUMEROS INTERNATIONAL

| PEÇA NÚMERO | GRUPOS | PEÇA NÚMERO | GRUPOS | PEÇA NÚMERO | GRUPOS |
|-------------|--------|-------------|--------|-------------|--------|
| 0826017 | 48/118 | 0920004 | 38/93 | 0920053 | 39/78 |
| 0826201 | 76/05 | | 42/165 | | 39/132 |
| 0826222 | 42/39 | | 42/177 | | 39/133 |
| | 42/60 | | 42/197 | | 39/142 |
| | 42/94 | | 58/07 | | 39/173 |
| | 42/211 | | 75/105 | | 39/175 |
| | 42/271 | 0920005 | 50/58 | | 39/176 |
| 0826243 | 36/75 | | 58/07 | | 39/177 |
| 0826277 | 39/186 | 0920006 | 18/14 | | 39/186 |
| 0826403 | 38/69 | | 18/22 | | 39/199 |
| | 38/93 | | 18/25 | | 39/240 |
| | 58/07 | | 18/26 | | 40/111 |
| 0826405 | 41/41 | | 18/28 | | 41/41 |
| 0826408 | 41/19 | | 18/42 | | 41/54 |
| | 41/21 | 0920009 | 56/26 | | 42/39 |
| | 41/41 | | 56/69 | | 42/60 |
| | 41/95 | | 56/78 | | 42/94 |
| | 46/26 | | 56/107 | | 42/177 |
| 0826417 | 41/54 | 0920024 | 73/19 | | 42/197 |
| 0826422 | 38/29 | 0920052 | 12/16 | | 42/211 |
| | 38/77 | | 31/51 | | 42/271 |
| | 41/19 | | 31/67 | | 56/26 |
| | 41/21 | | 31/137 | | 56/69 |
| | 41/95 | | 31/144 | | 56/78 |
| 0826427 | 74/36 | | 31/183 | | 56/107 |
| 0826450 | 41/54 | | 34/38 | | 58/07 |
| 0826467 | 37/28 | | 34/67 | | 76/05 |
| | 38/45 | | 47/18 | 0920054 | 15/06 |
| 0826470 | 38/45 | | 47/32 | | 15/17 |
| 0826476 | 41/41 | 0920053 | 12/16 | | 15/18 |
| 0826479 | 56/78 | | 15/06 | | 15/21 |
| 0826500 | 38/69 | | 15/17 | | 36/24 |
| 0826505 | 38/45 | | 17/10 | | 36/52 |
| 0826509 | 38/77 | | 17/16 | | 36/69 |
| 0826526 | 41/19 | | 17/27 | | 36/75 |
| 0826628 | 18/14 | | 17/31 | | 37/28 |
| | 18/22 | | 17/32 | | 37/77 |
| 0920002 | 34/38 | | 17/35 | | 38/29 |
| | 34/67 | | 31/51 | | 38/45 |
| 0920003 | 31/51 | | 31/67 | | 38/77 |
| | 31/67 | | 31/114 | | 42/39 |
| | 31/114 | | 31/137 | | 42/60 |
| | 31/137 | | 31/144 | | 42/94 |
| | 31/144 | | 31/145 | | 42/165 |
| | 31/145 | | 31/183 | | 42/177 |
| | 31/183 | | 35/38 | | 42/197 |
| | 41/41 | | 35/39 | | 42/211 |
| | 41/54 | | 35/44 | | 42/271 |
| | 42/165 | | 36/52 | | 44/128 |
| | 42/177 | | 36/69 | | 49/15 |
| | 42/197 | | 36/75 | | 50/58 |
| | 42/211 | | 37/28 | | 56/26 |
| 0920004 | 38/69 | | 39/75 | | 56/69 |

ÍNDICE NUMÉRICO
NUMERICAL INDEX
INDICE NUMERICO
INDEX NUMERIQUE

4.236 / T4.236
4.248

NUMEROS INTERNATIONAL
INTERNATIONAL NUMBERS
NUMEROS INTERNATIONAL
NUMEROS INTERNATIONAL

| PEÇA NÚMERO | GRUPOS | PEÇA NÚMERO | GRUPOS | PEÇA NÚMERO | GRUPOS |
|-------------|--------|-------------|--------|-------------|--------|
| 0920054 | 56/78 | 2511425 | 18/14 | 4236253 | 56/69 |
| | 56/107 | | 18/22 | | 56/107 |
| | 75/105 | | 18/25 | 4236254 | 56/78 |
| 0920055 | 33/21 | | 18/26 | 4236255 | 56/78 |
| | 33/101 | | 18/28 | 4236256 | 12/16 |
| | 33/116 | | 18/42 | 4236278 | 11/33 |
| 0920058 | 56/26 | 2557181 | 15/06 | 4236279 | 11/33 |
| | 56/69 | 2557182 | 15/06 | 2116A056 | 15/18 |
| | 56/78 | 2576675 | 15/06 | | 15/21 |
| | 56/107 | | 15/17 | 2314C034 | 15/18 |
| 0920108 | 12/16 | 2645666 | 48/36 | | 15/21 |
| | 34/38 | | 48/74 | 2314C044 | 58/07 |
| | 34/67 | | 48/75 | 2314C045 | 58/07 |
| | 47/32 | | 48/90 | 2314J606 | 15/18 |
| 0920465 | 50/58 | 2646842 | 48/36 | | 15/21 |
| 0940913 | 36/24 | | 48/74 | 2315C052 | 15/18 |
| | 36/75 | | 48/75 | | 15/21 |
| 0995260 | 42/39 | | 48/90 | 2315C053 | 15/18 |
| 2116024 | 15/18 | 4236112 | 00/26 | | 15/21 |
| 2171225 | 15/06 | 4236113 | 00/27 | | 31/114 |
| | 15/17 | 4236114 | 13/38 | | 31/145 |
| 2172513 | 15/06 | | 14/28 | 2315C059 | 15/18 |
| | 15/17 | 4236114 A | 13/38 | | 15/21 |
| | 34/38 | | 14/28 | | 31/114 |
| | 34/67 | 4236114 B | 13/38 | | 31/145 |
| 2172514 | 11/33 | | 14/28 | 2431A051 | 15/17 |
| | 11/36 | 4236114 C | 13/38 | 2511A730 | 15/18 |
| | 11/58 | | 14/28 | | 15/21 |
| 2172530 | 20/17 | 4236119 | 11/58 | 2551A009 | 15/18 |
| 2184435 | 31/51 | | 14/28 | | 15/21 |
| | 31/67 | 4236120 | 56/78 | 2551A014 | 15/18 |
| | 31/114 | 4236122 | 11/58 | | 15/21 |
| | 31/137 | 4236129 | 00/42 | 2551A201 | 15/18 |
| | 31/144 | 4236141 | 11/33 | | 15/21 |
| | 31/145 | 4236143 | 11/33 | 26410009 | 42/39 |
| | 31/183 | 4236144 | 11/58 | | 42/60 |
| 2184546 | 15/06 | 4236151 | 11/33 | 2645K002 | 48/80 |
| | 15/17 | | 14/21 | | 48/118 |
| 2215574 | 39/75 | | 14/35 | 2645K602 | 48/80 |
| | 39/78 | 4236188 | 11/33 | | 48/118 |
| | 39/132 | 4236193 | 11/58 | 3113V021 | 56/78 |
| | 39/133 | 4236195 | 00/55 | 3116K004 | 15/18 |
| | 39/142 | 4236200 | 00/60 | | 15/21 |
| | 39/173 | 4236205 | 17/31 | 3116K014 | 15/18 |
| | 39/175 | | 17/32 | | 15/21 |
| | 39/176 | 4236206 | 17/27 | 3116W001 | 15/18 |
| | 39/177 | 4236207 | 17/35 | | 15/21 |
| | 39/199 | 4236226 | 11/33 | 31171276 | 15/06 |
| | 39/240 | 4236247 | 11/33 | 31171681 | 13/13 |
| 2232151 | 44/128 | 4236248 | 11/58 | | 13/27 |
| | 58/07 | 4236252 | 56/26 | | 13/38 |
| 2238153 | 44/128 | | 56/69 | | 13/41 |
| 2485791 | 37/28 | | 56/107 | 31171931 | 21/09 |

ÍNDICE NUMÉRICO
NUMERICAL INDEX
INDICE NUMERICO
INDEX NUMERIQUE

4.236 / T4.236
4.248

NUMEROS INTERNATIONAL
INTERNATIONAL NUMBERS
NUMEROS INTERNATIONAL
NUMEROS INTERNATIONAL

| PEÇA NÚMERO | GRUPOS | PEÇA NÚMERO | GRUPOS | PEÇA NÚMERO | GRUPOS |
|-------------|--------|-------------|--------|-------------|--------|
| 31171931 | 21/18 | 31745122 | 17/27 | 32762116 | 14/35 |
| | 21/19 | | 17/31 | 33112111 | 20/17 |
| 3117C072 | 15/18 | | 17/32 | 33114412 | 39/75 |
| | 15/21 | | 17/35 | | 39/78 |
| 3117V003 | 15/18 | | 18/25 | | 39/132 |
| | 15/21 | | 18/26 | | 39/133 |
| 31358391 | 11/36 | | 18/28 | | 39/142 |
| 31358393 | 11/33 | 3174D004 | 15/18 | | 39/173 |
| | 11/58 | | 15/21 | | 39/175 |
| 31415294 | 21/18 | 3174D005 | 15/21 | | 39/176 |
| 31415321 | 21/09 | 32161209 | 21/18 | | 39/177 |
| | 21/19 | | 21/19 | | 39/186 |
| 31415371 | 21/09 | 32162319 | 32/46 | | 39/199 |
| | 21/19 | 32166329 | 11/33 | | 39/240 |
| 31415373 | 21/18 | | 11/36 | 33115117 | 38/101 |
| 3142H002 | 18/28 | | 11/58 | | 41/41 |
| 31434163 | 18/14 | 32166337 | 17/10 | | 41/54 |
| | 18/22 | | 17/16 | 33115408 | 21/18 |
| | 18/25 | | 17/27 | | 21/19 |
| | 18/26 | | 17/31 | 33117121 | 55/63 |
| | 18/28 | | 17/35 | 33117415 | 18/14 |
| | 18/42 | 32166338 | 17/10 | | 18/22 |
| 31733121 | 21/18 | | 17/16 | | 18/25 |
| | 21/19 | | 17/27 | | 18/26 |
| 31743108 | 18/14 | | 17/31 | | 18/28 |
| | 18/22 | | 17/35 | | 18/42 |
| | 18/25 | 32166339 | 17/10 | 33123117 | 18/22 |
| | 18/26 | | 17/16 | | 18/25 |
| | 18/28 | | 17/27 | 33125124 | 32/46 |
| | 18/42 | | 17/31 | 33125416 | 13/13 |
| 31744123 | 18/14 | | 17/35 | | 13/27 |
| | 18/22 | 32181424 | 17/10 | | 13/38 |
| | 18/25 | | 17/16 | 33137408 | 15/06 |
| | 18/26 | 32181425 | 17/10 | | 15/17 |
| | 18/28 | | 17/16 | | 15/18 |
| | 18/42 | 32181426 | 17/10 | | 15/21 |
| 31744131 | 18/14 | | 17/16 | 33142111 | 11/33 |
| | 18/22 | 32413415 | 12/16 | | 11/36 |
| | 18/25 | | 47/32 | | 11/58 |
| 31744133 | 17/10 | 3242T001 | 32/101 | 33152153 | 17/10 |
| | 17/16 | 32455123 | 15/06 | | 17/16 |
| | 17/27 | | 15/17 | | 17/27 |
| | 17/31 | 32526312 | 17/10 | | 17/31 |
| | 17/32 | | 17/16 | | 17/32 |
| | 17/35 | 32558314 | 15/18 | | 17/35 |
| | 18/25 | | 15/21 | 33152153 A | 17/10 |
| | 18/26 | 3272E005 | 15/18 | | 17/16 |
| | 18/28 | | 15/21 | | 17/27 |
| 31745121 | 18/14 | 32731127 | 15/06 | | 17/31 |
| | 18/22 | 32762116 | 14/14 | | 17/32 |
| | 18/25 | | 14/21 | | 17/35 |
| 31745122 | 17/10 | | 14/27 | 33152153 B | 17/10 |
| | 17/16 | | 14/28 | | 17/16 |

ÍNDICE NUMÉRICO
 NUMERICAL INDEX
 INDICE NUMERICO
 INDEX NUMERIQUE

4.236 / T4.236
 4.248

NUMEROS INTERNATIONAL
 INTERNATIONAL NUMBERS
 NUMEROS INTERNATIONAL
 NUMEROS INTERNATIONAL

| PEÇA NÚMERO | GRUPOS | PEÇA NÚMERO | GRUPOS | PEÇA NÚMERO | GRUPOS |
|-------------|--------|-------------|--------|-------------|--------|
| 33152153 B | 17/27 | 33415118 | 18/14 | 35731144 | 53/14 |
| | 17/31 | | 18/25 | 36177111 | 36/24 |
| | 17/32 | | 18/26 | | 36/52 |
| | 17/35 | | 18/28 | | 36/69 |
| 33152153 C | 17/10 | | 18/42 | | 36/75 |
| | 17/16 | 33423122 | 18/14 | 36212152 | 17/10 |
| | 17/27 | | 18/22 | | 17/16 |
| | 17/31 | | 18/25 | | 17/27 |
| | 17/32 | 33424107 | 17/10 | | 17/31 |
| | 17/35 | | 17/16 | | 17/32 |
| 33152155 A | 17/10 | | 17/26 | | 17/35 |
| | 17/31 | | 17/32 | | 36/24 |
| | 17/32 | 33424107 | 18/25 | | 36/52 |
| | 17/35 | | 18/28 | | 36/69 |
| 33152155 B | 17/10 | 3342A611 | 15/18 | | 36/75 |
| | 17/31 | | 15/21 | 36237156 | 15/06 |
| | 17/32 | 3342K701 | 58/07 | | 15/17 |
| | 17/35 | 3343F002 | 17/27 | 36241316 | 42/39 |
| 33152155 C | 17/10 | 3343J002 | 17/27 | | 42/60 |
| | 17/31 | 33451801 | 15/06 | 3625X002 | 41/54 |
| | 17/32 | | 15/17 | 3627P011 | 11/33 |
| | 17/35 | 33451804 | 15/18 | | 11/36 |
| 33153121 | 21/09 | | 15/21 | | 11/58 |
| | 21/18 | 33531136 | 15/18 | 3627P013 | 11/33 |
| | 21/19 | | 15/21 | 36516119 | 48/36 |
| 33153128 | 21/18 | 33533103 | 31/51 | | 48/39 |
| | 21/19 | | 31/67 | | 48/62 |
| 33153133 | 15/06 | | 31/137 | | 48/74 |
| | 15/17 | 33811113 | 18/14 | | 48/75 |
| 3321A002 | 15/18 | | 18/22 | | 48/80 |
| | 15/21 | | 18/25 | | 48/90 |
| 33221115 | 42/39 | | 18/26 | | 48/95 |
| | 42/60 | | 18/28 | | 48/96 |
| | 42/165 | | 18/42 | | 48/118 |
| | 42/177 | 33814311 | 49/15 | | 48/151 |
| | 42/197 | 33851119 | 58/07 | 36548441 | 42/165 |
| | 42/211 | 35511111 | 18/14 | 3661K001 | 15/18 |
| 33221316 | 17/10 | | 18/22 | | 15/21 |
| | 17/16 | | 18/25 | 3667N002 | 58/07 |
| 33261732 | 17/10 | | 18/26 | 36815721 | 31/51 |
| | 17/16 | | 18/28 | | 31/67 |
| | 17/31 | | 18/42 | | 31/114 |
| | 17/32 | 35587338 | 48/36 | | 31/137 |
| 33261752 | 17/10 | | 48/39 | | 31/144 |
| | 17/16 | | 48/62 | | 31/145 |
| | 17/31 | | 48/74 | | 31/183 |
| | 17/32 | | 48/75 | 36817157 | 20/17 |
| 33415118 | 17/10 | | 48/90 | 36817181 | 20/17 |
| | 17/16 | | 48/95 | 3681A027 | 34/67 |
| | 17/27 | 3558X011 | 48/80 | 3681E034 | 17/10 |
| | 17/31 | | 48/96 | | 17/16 |
| | 17/32 | | 48/118 | | 17/27 |
| | 17/35 | 3571C009 | 58/07 | | 17/31 |

ÍNDICE NUMÉRICO
NUMERICAL INDEX
INDICE NUMERICO
INDEX NUMERIQUE

4.236 / T4.236
4.248

NUMEROS INTERNATIONAL
INTERNATIONAL NUMBERS
NUMEROS INTERNATIONAL
NUMEROS INTERNATIONAL

| PEÇA NÚMERO | GRUPOS | PEÇA NÚMERO | GRUPOS | PEÇA NÚMERO | GRUPOS |
|-------------|--------|-------------|--------|-------------|--------|
| 3681E034 | 17/32 | 37738261 | 31/137 | 70170026 | 14/21 |
| | 17/35 | | 31/144 | | 14/27 |
| 36825107 | 12/16 | | 31/183 | | 14/35 |
| 36832131 | 58/07 | | 33/116 | 70170035 | 14/28 |
| 36832135 | 58/07 | 37764191 | 33/116 | 70180125 | 33/101 |
| 36834147 | 37/77 | 37764401 | 38/101 | 70180153 | 53/14 |
| 3683L002 | 31/114 | 3777E161 | 41/21 | 70180154 | 33/101 |
| | 31/145 | 37781781 | 41/95 | | 58/07 |
| 36861454 | 58/07 | | 38/45 | 70180156 | 56/78 |
| 36862134 | 41/19 | 37787491 | 41/54 | 70180157 | 49/15 |
| | 41/21 | 3778H072 | 22/08 | 70180158 | 58/07 |
| | 41/54 | 41115018 | 22/13 | 70180159 | 58/07 |
| | 41/95 | | 39/75 | 70200123 | 39/186 |
| 36862558 | 33/116 | 41115126 | 39/132 | 70200214 | 37/77 |
| 36866722 | 15/06 | | 39/133 | 70200300 | 33/101 |
| | 15/17 | | 39/142 | 70200425 | 33/101 |
| 3687M006 | 15/18 | | 39/173 | 70200440 | 58/07 |
| | 15/21 | | 39/186 | 70200451 | 49/15 |
| 36885008 | 58/07 | | 39/78 | 70200458 | 42/177 |
| 3688C001 | 38/29 | 41115127 | 39/175 | | 42/197 |
| | 38/45 | | 39/176 | | 42/211 |
| | 38/69 | | 39/177 | 70200590 | 33/101 |
| | 38/77 | | 39/199 | 70200636 | 58/07 |
| | 38/93 | | 39/240 | 70200655 | 43/16 |
| | 38/101 | 4111K055 | 15/21 | | 43/56 |
| 3688C002 | 38/29 | 4111K057 | 15/18 | 70200691 | 33/101 |
| | 38/45 | 4132F041 | 15/18 | 70200874 | 56/78 |
| | 38/69 | | 15/21 | 70230008 | 17/10 |
| | 38/77 | 70050113 | 15/06 | | 17/16 |
| | 38/93 | | 15/17 | | 18/14 |
| | 38/101 | 70100329 | 50/58 | | 18/22 |
| 3688C003 | 38/29 | 70100345 | 42/39 | | 18/25 |
| | 38/45 | 70100390 | 42/60 | | 18/28 |
| | 38/69 | 70100528 | 42/94 | 70230010 | 17/27 |
| | 38/77 | | 42/211 | | 17/31 |
| | 38/93 | 70100624 | 42/177 | | 17/32 |
| | 38/101 | | 42/197 | | 17/35 |
| 3688C007 | 41/41 | 70100627 | 42/177 | | 18/26 |
| 3743E021 | 58/07 | | 42/197 | | 18/28 |
| 37462401 | 48/80 | 70100628 | 75/105 | | 18/42 |
| | 48/96 | 70100716 | 18/14 | 70320056 | 31/114 |
| 37462401 | 48/118 | | 18/22 | 70320062 | 31/51 |
| 3753R061 | 15/18 | | 18/25 | | 31/67 |
| | 15/21 | | 18/26 | | 31/137 |
| 37556117 | 12/16 | | 18/28 | 70320076 | 31/144 |
| 3764E031 | 31/114 | | 18/42 | | 31/145 |
| | 31/145 | 70100814 | 42/271 | | 31/183 |
| 3765K031 | 58/07 | 70150038 | 34/38 | 70320078 | 31/144 |
| 37714234 | 15/06 | | 34/67 | | 31/145 |
| | 15/17 | 70150047 | 17/32 | | 31/183 |
| 37735651 | 37/28 | | 18/26 | 70330018 | 75/105 |
| 37738261 | 31/51 | | 18/42 | 70330075 | 35/44 |
| | 31/67 | 70170026 | 14/14 | 70360014 | 35/39 |

ÍNDICE NUMÉRICO
 NUMERICAL INDEX
 INDICE NUMERICO
 INDEX NUMERIQUE

4.236 / T4.236
 4.248

NUMEROS INTERNATIONAL
 INTERNATIONAL NUMBERS
 NUMEROS INTERNATIONAL
 NUMEROS INTERNATIONAL

| PEÇA NÚMERO | GRUPOS | PEÇA NÚMERO | GRUPOS | PEÇA NÚMERO | GRUPOS |
|-------------|--------|-------------|--------|-------------|--------|
| 70420017 | 17/27 | 70490379 | 17/27 | 70570073 | 42/94 |
| | 17/31 | | 17/31 | | 42/271 |
| | 17/32 | | 17/32 | 70570082 | 41/19 |
| 70420019 | 17/27 | | 17/35 | | 41/21 |
| | 17/32 | | 36/24 | | 41/95 |
| | 17/35 | | 36/52 | 70570094 | 14/14 |
| 70430001 | 15/06 | | 36/69 | | 14/21 |
| | 15/17 | | 36/75 | | 14/27 |
| 70440185 | 37/28 | 70490380 | 37/28 | | 14/28 |
| 70470053 | 17/10 | 70490383 | 33/21 | | 14/35 |
| | 17/31 | | 33/101 | 70576100 | 42/165 |
| | 17/32 | | 33/116 | | 42/177 |
| | 17/35 | 70490399 | 76/05 | | 42/197 |
| 70470066 | 17/35 | 70490402 | 47/32 | | 48/36 |
| 70470068 | 33/101 | 70490403 | 39/75 | | 48/39 |
| 70490182 | 42/94 | | 39/78 | | 48/62 |
| | 42/165 | | 39/132 | | 48/74 |
| | 42/177 | | 39/133 | | 48/75 |
| | 42/197 | | 39/142 | | 48/80 |
| | 42/211 | | 39/173 | | 48/90 |
| 70490266 | 34/38 | | 39/176 | | 48/95 |
| 70490275 | 12/16 | | 39/177 | | 48/96 |
| 70490279 | 11/33 | | 39/186 | | 58/07 |
| | 11/36 | | 39/199 | 70576101 | 48/80 |
| | 11/58 | | 39/240 | | 48/96 |
| 70490311 | 12/16 | 70490408 | 37/28 | | 48/118 |
| 70490316 | 42/39 | | 56/78 | 70600001 | 42/165 |
| | 42/60 | 70490412 | 56/26 | | 42/177 |
| 70490320 | 34/38 | | 56/69 | | 42/197 |
| | 34/67 | | 56/107 | | 48/36 |
| 70490333 | 42/94 | 70530028 | 11/33 | | 48/39 |
| | 42/165 | | 11/58 | | 48/62 |
| | 42/177 | 70540061 | 41/19 | | 48/74 |
| | 42/197 | 70540063 | 38/29 | | 48/75 |
| | 42/211 | | 38/77 | | 48/80 |
| | 42/271 | 70540099 | 58/07 | | 48/90 |
| 70490334 | 49/15 | 70540103 | 41/41 | | 48/95 |
| 70490341 | 56/26 | 70540141 | 38/69 | | 48/96 |
| | 56/69 | | 38/93 | | 48/118 |
| | 56/78 | 70570064 | 41/41 | | 48/151 |
| | 56/107 | | 41/54 | 70610010 | 73/19 |
| 70490368 | 12/16 | | 58/07 | 70620711 | 53/14 |
| 70490369 | 12/16 | 70570073 | 39/75 | 70650008 | 31/51 |
| 70490377 | 31/51 | | 39/78 | | 31/67 |
| | 31/67 | | 39/132 | | 31/114 |
| | 31/137 | | 39/142 | | 31/137 |
| | 31/144 | | 39/173 | | 31/144 |
| | 31/145 | | 39/175 | | 31/145 |
| | 31/183 | | 39/176 | | 31/183 |
| 70490378 | 47/18 | | 39/177 | 70650068 | 11/33 |
| | 47/32 | | 39/186 | | 11/36 |
| 70490379 | 17/10 | | 39/199 | | 11/58 |
| | 17/16 | | 39/240 | 70650075 | 11/33 |

ÍNDICE NUMÉRICO
NUMERICAL INDEX
INDICE NUMERICO
INDEX NUMERIQUE

4.236 / T4.236
4.248

NUMEROS INTERNATIONAL
INTERNATIONAL NUMBERS
NUMEROS INTERNATIONAL
NUMEROS INTERNATIONAL

| PEÇA NÚMERO | GRUPOS | PEÇA NÚMERO | GRUPOS | PEÇA NÚMERO | GRUPOS |
|-------------|--------|-------------|--------|-------------|--------|
| 70650075 | 11/36 | 70730019 | 48/118 | 70800016 | 42/94 |
| | 11/58 | 70730034 A | 17/16 | | 42/165 |
| | 17/10 | | 18/14 | | 42/177 |
| | 17/16 | | 18/22 | | 42/197 |
| | 17/26 | | 18/25 | | 42/211 |
| | 17/27 | 70730034 B | 17/16 | 70820048 | 56/69 |
| | 17/31 | | 18/14 | | 56/107 |
| | 17/32 | | 18/22 | 70820052 | 49/15 |
| 70650076 | 11/33 | | 18/25 | 70820056 | 56/26 |
| | 11/36 | 70730043 | 12/16 | 70820063 | 31/51 |
| | 11/58 | 70730050 | 20/17 | | 31/67 |
| 70650077 | 11/33 | 70730051 | 17/27 | | 31/137 |
| | 11/36 | | 17/32 | | 31/144 |
| | 11/58 | | 17/35 | 70820076 | 38/69 |
| 70650079 | 11/33 | | 18/26 | 70820078 | 38/93 |
| | 11/36 | | 18/28 | 70820083 | 42/271 |
| | 11/58 | | 18/42 | | 58/07 |
| 70650083 | 11/33 | 70740059 | 44/128 | 70820084 | 42/39 |
| | 11/36 | 70740063 | 55/63 | | 42/94 |
| | 11/58 | 70740128 | 12/16 | | 42/165 |
| | 43/16 | 70740130 | 20/17 | | 42/177 |
| 70650109 | 11/33 | | 36/24 | | 42/197 |
| | 11/36 | 70740177 | 38/77 | | 42/211 |
| 70650115 | 42/177 | 70740178 | 42/271 | | 56/26 |
| | 75/105 | | 75/19 | | 56/69 |
| | 75/122 | 70740188 | 38/77 | | 56/78 |
| 70650116 | 15/06 | 70740189 | 22/13 | | 56/107 |
| | 15/17 | 70740323 | 21/09 | 70830129 | 31/114 |
| | 33/21 | 70740340 | 17/27 | | 31/145 |
| | 33/101 | | 17/32 | 70830131 | 31/51 |
| 70650117 | 15/06 | 70740341 | 17/27 | | 31/67 |
| 70650118 | 15/18 | | 17/32 | | 31/137 |
| | 15/21 | 70740342 | 17/27 | | 31/144 |
| 70650119 | 37/28 | | 17/32 | 70830132 | 31/183 |
| | 52/226 | 70740343 | 40/77 | 70840054 | 42/271 |
| | 52/292 | | 40/98 | 70910009 A | 17/16 |
| 70650138 | 52/98 | | 40/111 | | 18/14 |
| | 52/292 | | 42/39 | | 18/22 |
| 70670091 | 56/26 | | 42/165 | | 18/25 |
| | 56/69 | | 42/177 | 70910009 B | 17/16 |
| 70670098 | 56/107 | | 42/197 | | 18/14 |
| 70670168 | 32/101 | | 42/271 | | 18/22 |
| 70670170 | 32/46 | | 75/19 | | 18/25 |
| 70690005 | 75/122 | | 75/105 | 70910010 | 17/10 |
| 70730019 | 48/36 | 70740373 | 32/101 | | 17/16 |
| | 48/39 | 70740740 | 42/271 | | 18/14 |
| | 48/62 | 70750043 | 15/17 | | 18/22 |
| | 48/74 | 70750045 | 15/17 | | 18/25 |
| | 48/75 | 70760024 | 42/39 | | 18/28 |
| | 48/80 | | 42/60 | 70910010 A | 17/16 |
| | 48/90 | | 42/94 | | 18/14 |
| | 48/95 | | 42/211 | | 18/22 |
| | 48/96 | | 42/271 | | 18/25 |

ÍNDICE NUMÉRICO
NUMERICAL INDEX
INDICE NUMERICO
INDEX NUMERIQUE

4.236 / T4.236
4.248

NUMEROS INTERNATIONAL
INTERNATIONAL NUMBERS
NUMEROS INTERNATIONAL
NUMEROS INTERNATIONAL

| PEÇA NÚMERO | GRUPOS | PEÇA NÚMERO | GRUPOS | PEÇA NÚMERO | GRUPOS |
|-------------|--------|-------------|--------|-------------|--------|
| 70910010 B | 17/16 | 70920115 | 75/19 | 70992261 | 48/90 |
| | 18/14 | | 75/105 | 70992283 | 76/05 |
| | 18/22 | | 75/122 | 70992340 | 31/145 |
| | 18/25 | 70920120 | 42/165 | 70992341 | 31/144 |
| 70910017 | 18/26 | | 42/177 | 70992368 | 48/36 |
| 70910018 | 18/26 | | 42/197 | | 48/39 |
| 70910032 | 17/27 | | 42/271 | | 48/62 |
| | 18/28 | 70920128 | 52/98 | 70992368 | 48/95 |
| 70920008 | 31/144 | | 52/292 | 70992369 | 48/36 |
| | 31/145 | 70940055 | 36/52 | | 48/39 |
| | 31/183 | | 36/69 | | 48/62 |
| 70920065 | 11/33 | 70940151 | 22/08 | | 48/95 |
| | 11/36 | | 22/13 | 70992370 | 48/36 |
| | 11/58 | 70950018 | 41/41 | | 48/39 |
| | 33/116 | 70950027 | 42/177 | | 48/62 |
| | 40/01 | | 42/197 | | 48/95 |
| 70920081 | 48/36 | 70990177 | 42/39 | 70992371 | 48/36 |
| | 48/39 | 70991031 | 55/63 | | 48/39 |
| | 48/62 | 70991042 | 15/06 | | 48/62 |
| | 48/74 | | 15/17 | | 48/95 |
| | 48/75 | 70991079 | 42/39 | 70992386 | 42/177 |
| | 48/80 | 70991114 | 42/165 | | 42/197 |
| | 48/90 | | 42/177 | 70992387 | 42/177 |
| | 48/95 | | 42/197 | | 42/197 |
| | 48/96 | 70991157 | 34/38 | 70992388 | 40/98 |
| | 48/118 | | 34/67 | 70992410 | 75/122 |
| 70920083 | 48/36 | 70991262 | 14/14 | 70992433 | 48/80 |
| | 48/39 | 70991544 | 48/74 | | 48/96 |
| | 48/62 | | 48/75 | | 48/118 |
| | 48/74 | 70991545 | 48/74 | 70992434 | 48/80 |
| | 48/75 | | 48/75 | | 48/96 |
| | 48/80 | 70991546 | 48/74 | | 48/118 |
| | 48/90 | | 48/75 | 70992435 | 48/80 |
| | 48/95 | 70991547 | 48/74 | | 48/96 |
| | 48/96 | | 48/75 | | 48/118 |
| | 48/118 | 70991630 | 34/38 | 70992436 | 48/80 |
| | 75/19 | | 34/67 | | 48/96 |
| 70920094 | 33/101 | 70991937 | 35/38 | | 48/118 |
| 70920103 | 21/09 | | 35/44 | 70992461 | 75/105 |
| 70920109 | 31/51 | 70992016 | 58/07 | 70992547 | 15/18 |
| | 31/67 | 70992017 | 58/07 | 70992579 | 42/177 |
| | 31/114 | 70992048 | 40/77 | | 42/197 |
| | 31/137 | 70992095 | 31/114 | 70992591 | 40/111 |
| | 31/145 | 70992220 | 48/151 | 70922820 | 31/183 |
| 70920115 | 39/186 | 70992221 | 48/151 | 70992825 | 12/16 |
| | 40/77 | 70992222 | 48/151 | 70993138 | 31/51 |
| | 40/98 | 70992223 | 48/151 | | 31/67 |
| | 40/111 | 70992244 | 42/165 | | 31/137 |
| | 42/39 | 70992245 | 42/165 | 70993311 | 33/101 |
| | 42/165 | 70992246 | 42/165 | 70993401 | 20/17 |
| | 42/177 | 70992258 | 48/90 | 70993430 | 42/271 |
| | 42/197 | 70992259 | 48/90 | 70997005 | 42/39 |
| | 42/271 | 70992260 | 48/90 | 70997006 | 42/39 |

ÍNDICE NUMÉRICO
NUMERICAL INDEX
INDICE NUMERICO
INDEX NUMERIQUE

4.236 / T4.236
4.248

NUMEROS INTERNATIONAL
INTERNATIONAL NUMBERS
NUMEROS INTERNATIONAL
NUMEROS INTERNATIONAL

| PEÇA NÚMERO | GRUPOS | PEÇA NÚMERO | GRUPOS | PEÇA NÚMERO | GRUPOS |
|-------------|--------|-------------|--------|-------------|--------|
| 70997010 | 42/39 | 70998096 | 18/14 | 80650722 | 40/01 |
| 70997075 | 42/39 | | 18/22 | | |
| 70997144 | 33/101 | | 18/25 | | |
| 70997145 | 33/21 | | 18/26 | | |
| 70998003 | 37/28 | | 18/28 | | |
| 70998009 | 13/13 | | 18/42 | | |
| | 13/27 | 70998103 | 15/17 | | |
| | 13/38 | 70998104 | 15/17 | | |
| | 13/41 | 70998113 | 37/77 | | |
| 70998010 | 56/78 | 70998120 | 17/10 | | |
| 70998029 | 14/27 | | 17/16 | | |
| 70998033 | 11/33 | | 17/27 | | |
| | 11/36 | | 17/31 | | |
| | 11/58 | | 18/14 | | |
| 70998041 | 18/14 | | 18/22 | | |
| | 18/22 | | 18/25 | | |
| | 18/25 | | 18/26 | | |
| | 18/26 | | 18/28 | | |
| | 18/28 | | 18/42 | | |
| | 18/42 | 70998121 | 17/22 | | |
| 70998044 | 11/33 | | 17/31 | | |
| | 14/21 | | 17/32 | | |
| | 14/35 | | 17/35 | | |
| 70998050 | 11/58 | | 18/26 | | |
| | 14/28 | | 18/28 | | |
| 70998052 | 40/22 | 70998128 | 15/06 | | |
| | 40/77 | | 15/17 | | |
| | 40/98 | 70998129 | 15/06 | | |
| | 40/111 | | 15/17 | | |
| 70998053 | 40/77 | 70998135 | 15/17 | | |
| | 40/98 | 70998162 | 17/31 | | |
| | 40/111 | | 17/32 | | |
| 70998075 | 17/10 | | 17/35 | | |
| | 17/16 | | 18/24 | | |
| | 18/14 | | 18/42 | | |
| | 18/22 | 70998163 | 17/27 | | |
| | 18/25 | | 17/31 | | |
| 70998076 | 31/51 | | 17/32 | | |
| | 31/67 | | 17/35 | | |
| | 31/137 | | 18/26 | | |
| | 31/144 | | 18/28 | | |
| | 31/183 | | 18/42 | | |
| 70998078 | 14/28 | 70998136 | 17/32 | | |
| 70998085 | 14/14 | | 18/26 | | |
| | 14/21 | | 18/42 | | |
| | 14/27 | 70998172 | 22/08 | | |
| | 14/35 | | 22/13 | | |
| 70998095 | 18/14 | 70998174 | 15/06 | | |
| | 18/22 | | 15/17 | | |
| | 18/25 | 70998196 | 75/19 | | |
| | 18/26 | 70998197 | 42/271 | | |
| | 18/28 | | 42/271 | | |
| | 18/42 | 70998198 | 33/116 | | |

| GRUPOS | UNIDADE BÁSICA Nº 151 | BASIC UNIT Nº 151 | UNIDAD BÁSICA Nº 151 | UNITÉ DE BASE Nº 151 |
|--------|---|---------------------------------------|---|---|
| 11/33 | BLOCO DE CILINDROS | CYLINDER BLOCK | BLOQUE DE CILINDROS | BLOC-CYLINDRES |
| 12/16 | CAIXA DISTRIBUIÇÃO | TIMING CASE | CAJA DISTRIBUCIÓN | CARTER DISTRIBUTION |
| 13/13 | ÁRVORE DE MANIVELAS | CRANKSHAFT | CIGÜENAL | VILEBREQUIN |
| 14/14 | PISTÕES E BIELAS | PISTONS / CONNECT RODS | PISTONES Y BIELAS | PISTONS ET BIELLES |
| 15/06 | BOMBA ÓLEO LUBRIFICANTE | LUBRICATING OIL PUMP | BOMBA ACEITE LUBRIFICANTE | POMPE À HUILE LUBRIFIANTE |
| 17/10 | CABEÇOTE | CYLINDER HEAD | CULATA | CULASSE |
| 18/14 | VÁLVULAS/BALANCEIROS | VALVES / ROCKERSHAFT | VÁLVULAS / BALANCINES | SOUPAPES / LEVIERS |
| 20/17 | RETENTOR TRASEIRO DE ÓLEO | REAR OIL SEAL | SELLO TRASERO DE ACEITE | DÉFLECTEUR D'HUILE ARR. |
| 21/09 | ÁRVORE COMANDO VÁLVULAS | CAMSHAFT | ARBOL DE LEVAS | ARBRE À CAMES |
| 22/08 | ENGRENAGENS DISTRIBUIÇÃO | IDLER GEARS | ENGRENAJES DISTRIBUCIÓN | PIGNONS DISTRIBUTION |
| | COMPLEMENTOS | COMPLEMENTS | COMPLEMENTOS | COMPLÉMENTS |
| 31/67 | CARTER ÓLEO LUBRIFICANTE | LUBRICATING OIL SUMP | CARTER ACEITE LUBRIFICANTE | CARTER HUILE LUBRIFIANTE |
| 32/46 | POLIA ÁRVORE MANIVELAS | CRANKSHAFT PULLEY | POLEA DEL CIGÜENAL | POULIE DU VILEBREQUIN |
| 33/21 | FILTRO ÓLEO LUBRIFICANTE | LUBR. OIL FILTER | FILTRO ACEITE LUBRIFICANTE | FILTRE HUILE LUBRIFIANTE |
| 34/38 | TAMPA DO CABEÇOTE | CYLINDER HEAD COVER | TAPA DE VÁLVULAS | CACHE-CULBUTEURS |
| 35/39 | VENTILADOR | FAN | VENTILADOR | VENTILATEUR |
| 36/24 | TAMPA TRASEIRA CABEÇOTE | CYLINDER HEAD REAR COVER | TAPA TRASERA DE LA CULATA | CACHE-CULBUTEURS ARRIERE |
| 37/28 | TERMOSTATO E CARÇAÇA | THERMOSTAT AND HOUSING | TERMOSTATO Y CÁRTER | THERMOSTAT ET CARTER |
| 38/29 | COLETOR DE ADMISSÃO | INDUCTION MANIFOLD | MÚLTIPLE DE ADMISIÓN | COLLECTEUR D'ADMISSION |
| 39/75 | BOMBA INJETORA COMBUSTÍVEL | FUEL INJECTION PUMP | BOMBA INYECTORA COMBUSTIBLE | POMPE D'INJEC. / COMBUST. |
| 40/01 | SISTEMA AUXILIAR PARTIDA | COLD WEATHER STARTING AID | SIST. AUXILIAR DE ARRANQUE | THERMOSTART |
| 41/19 | COLETOR DE ESCAPE | EXHAUST MANIFOLD | MÚLTIPLE DE ESCAPE | COLLECTEUR D'ÉCHAPPEMENT |
| 42/39 | BOMBA ALIMENTADORA E FILTRO ÓLEO COMBUSTÍVEL | FUEL LIFT PUMP AND FUEL OIL FILTER | BOMBA DE ALIMENTACIÓN Y FILTROS ACEITE COMBUSTIBLE | POMPE D'ALIMENTATION ET FILTRE À HUILE COMBUSTIBLE |
| 43/16 | TOMADA P/ MANÔMETRO ÓLEO | OIL PRESS GAUGE FITTING | TOMA P/ MANÓMETRO ACEITE | PRISE P/ MANOMETRE D'HUILE |
| 44/128 | TOMADA POTÊNCIA | POWER TAKE-OFF | TOMA DE POTENCIA | PRISE DE PUISSANCE |
| 45/.. | CARÇAÇA DO VOLANTE | FLYWHEEL HOUSING | CARTER DEL VOLANTE | CARTER DU VOLANT |
| 46/26 | MOTOR DE PARTIDA | STARTER MOTOR | MOTOR DE ARRANQUE | DÉMARREUR |
| 47/18 | ACIONAMENTO DO TAQUÍMETRO | TACHOMETER DRIVE | MANDO DEL TAQUÍMETRO | COMMANDE DU COMPTE-TOURS |
| 48/36 | TUBO INJEÇÃO / INJETORES | FUEL INJECTION SYSTEM | EQUIPO DE INYECCIÓN | SYSTEME D'INJECTION |
| 49/.. | CONEXÃO ENTRADA D'ÁGUA | WATER INLET CONNECTION | CONEXIÓN ENTRADA D'ÁGUA | RACCORD D'ENTRÉE D'EAU |
| 50/58 | ALTERNADOR E CORREIA | ALTERNATOR AND BELT | ALTERNADOR Y CORREA | ALTERNATEUR ET COURROIE |
| 52/98 | ÍTEMS DE INSTALAÇÃO | FITTING ITEMS | PIEZAS DE INSTALACIÓN | ARTICLES D'INSTALLATION |
| 53/14 | RESPIRO DO MOTOR | ENGINE BREATHER | RESPIRADERO DEL MOTOR | RENIFLARD DU MOTEUR |
| 54/.. | FILTRO DE AR | AIR CLEANER | FILTRO DE AIRE | FILTRE À AIR |
| 55/63 | VOLANTE E CREMALHEIRA | FLYWHEEL AND STARTER RING | VOLANTE Y CORONA | VOLANT ET COURONNE |
| 56/26 | BOMBA D'ÁGUA | WATER PUMP | BOMBA DE ÁGUA | POMPE À EAU |
| | ACESSÓRIOS | ACCESSORIES | ACESSORIOS | ACESSOIRES |
| 71/.. | SUPORTE DO MOTOR | ENGINE SUPPORTS | SOPORTES DEL MOTOR | SUPPORTS DU MOTEUR |
| 72/.. | SISTEMA DE ARREFECIMENTO | COOLING SYSTEM | SISTEMA DE ENFRIAMIENTO | SYSTEME REFROIDISSEMENT |
| 73/.. | CONTROLES | CONTROLS | CONTROLES | CONTRÔLES |
| 74/.. | SISTEMA DE ESCAPE | EXHAUST SYSTEM | SISTEMA DE ESCAPE | SYSTEME D'ÉCHAPPEMENT |
| 75/.. | SISTEMA DE COMBUSTÍVEL | FUEL SYSTEM | SISTEMA DE COMBUSTIBLE | SYSTEME D'COMBUSTIBLE |
| 76/.. | SISTEMA DE ADMISSÃO | INDUCTION SYSTEM | SISTEMA DE ADMISIÓN | SYSTEME D'ADMISSION |
| 77/.. | PAINEL DE INSTRUMENTOS | INSTRUMENT PANEL | TABLERO DE INSTRUMENTOS | TABLEAU DE BORD |
| 78/.. | SISTEMA ELÉTRICO | ELECTRICAL SYSTEM | SISTEMA ELÉCTRICO | SYSTEME ÉLECTRIQUE |
| | JOGO DE JUNTAS | JOINT SETS | JUEGOS DE JUNTAS | JEUX DE JOINTS |
| 00/42 | JOGO DE JUNTAS CABEÇOTE | TOP OVERHAUL | JUEGO DE JUNTAS CULATA | JEU DE JOINTS CULASSE |
| 00/17 | JOGO DE JUNTAS BLOCO | BOTTOM OVERHAUL | JUEGO DE JUNTAS BLOQUE | JEU DE JOINTS DU BLOC |

**ÍNDICE DE GRUPOS
GROUP INDEX
INDICE DE GRUPOS
INDEX DE GROUPES**

**MOTOR 4.248
TRATOR AGRÍCOLA
MF 290**

**LISTA DE PEÇAS
PART LIST
LISTA DE PIEZAS
LISTE DE PIÉCES**

8494

| GRUPOS | UNIDADE BÁSICA Nº 155 | BASIC UNIT Nº 155 | UNIDAD BÁSICA Nº 155 | UNITÉ DE BASE Nº 155 |
|--------|---|---------------------------------------|---|---|
| 11/36 | BLOCO DE CILINDROS | CYLINDER BLOCK | BLOQUE DE CILINDROS | BLOC-CYLINDRES |
| 12/16 | CAIXA DISTRIBUIÇÃO | TIMING CASE | CAJA DISTRIBUCIÓN | CARTER DISTRIBUTION |
| 13/13 | ÁRVORE DE MANIVELAS | CRANKSHAFT | CIGÜENAL | VILEBREQUIN |
| 14/27 | PISTÕES E BIELAS | PISTONS / CONNECT RODS | PISTONES Y BIELAS | PISTONS ET BIELLES |
| 15/17 | BOMBA ÓLEO LUBRIFICANTE | LUBRICATING OIL PUMP | BOMBA ACEITE LUBRIFICANTE | POMPE À HUILE LUBRIFIANTE |
| 17/16 | CABEÇOTE | CYLINDER HEAD | CULATA | CULASSE |
| 18/22 | VÁLVULAS/BALANCEIROS | VALVES / ROCKERSHAFT | VÁLVULAS / BALANCINES | SOUPAPES / LEVIERS |
| 20/17 | RETENTOR TRASEIRO DE ÓLEO | REAR OIL SEAL | SELLO TRASERO DE ACEITE | DÉFLECTEUR D'HUILE ARR. |
| 21/09 | ÁRVORE COMANDO VÁLVULAS | CAMSHAFT | ARBOL DE LEVAS | ARBRE À CAMES |
| 22/08 | ENGRENAGENS DISTRIBUIÇÃO | IDLER GEARS | ENGRENAJES DISTRIBUCIÓN | PIGNONS DISTRIBUTION |
| | COMPLEMENTOS | COMPLEMENTS | COMPLEMENTOS | COMPLÉMENTS |
| 31/67 | CARTER ÓLEO LUBRIFICANTE | LUBRICATING OIL SUMP | CARTER ACEITE LUBRIFICANTE | CARTER HUILE LUBRIFIANTE |
| 32/46 | POLIA ÁRVORE MANIVELAS | CRANKSHAFT PULLEY | POLEA DEL CIGÜENAL | POULIE DU VILEBREQUIN |
| 33/21 | FILTRO ÓLEO LUBRIFICANTE | LUBR. OIL FILTER | FILTRO ACEITE LUBRIFICANTE | FILTRE HUILE LUBRIFIANTE |
| 34/38 | TAMPA DO CABEÇOTE | CYLINDER HEAD COVER | TAPA DE VÁLVULAS | CACHE-CULBUTEURS |
| 35/38 | VENTILADOR | FAN | VENTILADOR | VENTILATEUR |
| 36/24 | TAMPA TRASEIRA CABEÇOTE | CYLINDER HEAD REAR COVER | TAPA TRASERA DE LA CULATA | CACHE-CULBUTEURS ARRIERE |
| 37/28 | TERMOSTATO E CARÇAÇA | THERMOSTAT AND HOUSING | TERMOSTATO Y CÁRTER | THERMOSTAT ET CARTER |
| 38/29 | COLETOR DE ADMISSÃO | INDUCTION MANIFOLD | MÚLTIPLE DE ADMISIÓN | COLLECTEUR D'ADMISSION |
| 39/78 | BOMBA INJETORA COMBUSTÍVEL | FUEL INJECTION PUMP | BOMBA INYECTORA COMBUSTIBLE | POMPE D'INJEC. / COMBUST. |
| 40/01 | SISTEMA AUXILIAR PARTIDA | COLD WEATHER STARTING AID | SIST. AUXILIAR DE ARRANQUE | THERMOSTART |
| 41/19 | COLETOR DE ESCAPE | EXHAUST MANIFOLD | MÚLTIPLE DE ESCAPE | COLLECTEUR D'ÉCHAPPEMENT |
| 42/60 | BOMBA ALIMENTADORA E FILTRO ÓLEO COMBUSTÍVEL | FUEL LIFT PUMP AND FUEL OIL FILTER | BOMBA DE ALIMENTACIÓN Y FILTROS ACEITE COMBUSTIBLE | POMPE D'ALIMENTATION ET FILTRE À HUILE COMBUSTIBLE |
| 43/16 | TOMADA P/ MANÔMETRO ÓLEO | OIL PRESS GAUGE FITTING | TOMA P/ MANÓMETRO ACEITE | PRISE P/ MANOMETRE D'HUILE |
| 44/128 | TOMADA POTÊNCIA | POWER TAKE-OFF | TOMA DE POTENCIA | PRISE DE PUISSANCE |
| 45/.. | CARÇAÇA DO VOLANTE | FLYWHEEL HOUSING | CARTER DEL VOLANTE | CARTER DU VOLANT |
| 46/26 | MOTOR DE PARTIDA | STARTER MOTOR | MOTOR DE ARRANQUE | DÉMARREUR |
| 47/18 | ACIONAMENTO DO TAQUÍMETRO | TACHOMETER DRIVE | MANDO DEL TAQUÍMETRO | COMMANDE DU COMPTE-TOURS |
| 48/39 | TUBO INJEÇÃO / INJETORES | FUEL INJECTION SYSTEM | EQUIPO DE INYECCIÓN | SYSTEME D'INJECTION |
| 49/.. | CONEXÃO ENTRADA D'ÁGUA | WATER INLET CONNECTION | CONEXIÓN ENTRADA D'ÁGUA | RACCORD D'ENTRÉE D'EAU |
| 50/58 | ALTERNADOR E CORREIA | ALTERNATOR AND BELT | ALTERNADOR Y CORREA | ALTERNATEUR ET COURROIE |
| 52/98 | ÍTENS DE INSTALAÇÃO | FITTING ITEMS | PIEZAS DE INSTALACIÓN | ARTICLES D'INSTALLATION |
| 53/14 | RESPIRO DO MOTOR | ENGINEER BREATHER | RESPIRADERO DEL MOTOR | RENIFLARD DU MOTEUR |
| 54/.. | FILTRO DE AR | AIR CLEANER | FILTRO DE AIRE | FILTRE À AIR |
| 55/63 | VOLANTE E CREMALHEIRA | FLYWHEEL AND STARTER RING | VOLANTE Y CORONA | VOLANT ET COURONNE |
| 56/26 | BOMBA D'ÁGUA | WATER PUMP | BOMBA DE ÁGUA | POMPE À EAU |
| | ACESSÓRIOS | ACCESSORIES | ACESSORIOS | ACESSOIRES |
| 71/.. | SUPORTE DO MOTOR | ENGINE SUPPORTS | SOPORTES DEL MOTOR | SUPPORTS DU MOTEUR |
| 72/.. | SISTEMA DE ARREFECIMENTO | COOLING SYSTEM | SISTEMA DE ENFRIAMIENTO | SYSTEME REFROIDISSEMENT |
| 73/.. | CONTROLES | CONTROLS | CONTROLES | CONTRÔLES |
| 74/.. | SISTEMA DE ESCAPE | EXHAUST SYSTEM | SISTEMA DE ESCAPE | SYSTEME D'ÉCHAPPEMENT |
| 75/.. | SISTEMA DE COMBUSTÍVEL | FUEL SYSTEM | SISTEMA DE COMBUSTIBLE | SYSTEME D'COMBUSTIBLE |
| 76/.. | SISTEMA DE ADMISSÃO | INDUCTION SYSTEM | SISTEMA DE ADMISIÓN | SYSTEME D'ADMISSION |
| 77/.. | PAINEL DE INSTRUMENTOS | INSTRUMENT PANEL | TABLERO DE INSTRUMENTOS | TABLEAU DE BORD |
| 78/.. | SISTEMA ELÉTRICO | ELECTRICAL SYSTEM | SISTEMA ELÉCTRICO | SYSTEME ÉLECTRIQUE |
| | JOGO DE JUNTAS | JOINT SETS | JUEGOS DE JUNTAS | JEUX DE JOINTS |
| 00/42 | JOGO DE JUNTAS CABEÇOTE | TOP OVERHAUL | JUEGO DE JUNTAS CULATA | JEU DE JOINTS CULASSE |
| 00/17 | JOGO DE JUNTAS BLOCO | BOTTOM OVERHAUL | JUEGO DE JUNTAS BLOQUE | JEU DE JOINTS DU BLOC |

**ÍNDICE DE GRUPOS
GROUP INDEX
INDICE DE GRUPOS
INDEX DE GROUPES**

**MOTOR 4.236 (A)
TRATOR AGRÍCOLA
MF 275**

**LISTA DE PEÇAS
PART LIST
LISTA DE PIEZAS
LISTE DE PIÉCES**

8502

| GRUPOS | UNIDADE BÁSICA Nº 159 | BASIC UNIT Nº 159 | UNIDAD BÁSICA Nº 159 | UNITÉ DE BASE Nº 159 |
|-----------------------|---|---------------------------------------|---|---|
| 11/33 | BLOCO DE CILINDROS | CYLINDER BLOCK | BLOQUE DE CILINDROS | BLOC-CYLINDRES |
| 12/16 | CAIXA DISTRIBUIÇÃO | TIMING CASE | CAJA DISTRIBUCIÓN | CARTER DISTRIBUTION |
| 13/13 | ÁRVORE DE MANIVELAS | CRANKSHAFT | CIGÜENAL | VILEBREQUIN |
| 14/14 | PISTÕES E BIELAS | PISTONS / CONNECT RODS | PISTONES Y BIELAS | PISTONS ET BIELLES |
| 15/17 | BOMBA ÓLEO LUBRIFICANTE | LUBRICATING OIL PUMP | BOMBA ACEITE LUBRIFICANTE | POMPE À HUILE LUBRIFIANTE |
| 17/31 | CABEÇOTE (A) | CYLINDER HEAD (A) | CULATA (A) | CULASSE (A) |
| 17/32 | CABEÇOTE (B) | CYLINDER HEAD (B) | CULATA (B) | CULASSE (B) |
| 18/25 | VÁLVULAS/BALANCEIROS | VALVES / ROCKERSHAFT | VÁLVULAS / BALANCINES | SOUPAPES / LEVIERS |
| 20/17 | RETENTOR TRASEIRO DE ÓLEO | REAR OIL SEAL | SELLO TRASERO DE ACEITE | DÉFLECTEUR D'HUILE ARR. |
| 21/09 | ÁRVORE COMANDO VÁLVULAS | CAMSHAFT | ARBOL DE LEVAS | ARBRE À CAMES |
| 22/08 | ENGRENAGENS DISTRIBUIÇÃO | IDLER GEARS | ENGRENAJES DISTRIBUCIÓN | PIGNONS DISTRIBUTION |
| COMPLEMENTOS | | | | |
| 31/67 | CARTER ÓLEO LUBRIFICANTE | LUBRICATING OIL SUMP | CARTER ACEITE LUBRICANTE | CARTER HUILE LUBRIFIANTE |
| 32/46 | POLIA ÁRVORE MANIVELAS | CRANKSHAFT PULLEY | POLEA DEL CIGÜENAL | POULIE DU VILEBREQUIN |
| 33/21 | FILTRO ÓLEO LUBRIFICANTE | LUBR. OIL FILTER | FILTRO ACEITE LUBRIFICANTE | FILTRE HUILE LUBRIFIANTE |
| 34/38 | TAMPA DO CABEÇOTE | CYLINDER HEAD COVER | TAPA DE VÁLVULAS | CACHE-CULBUTEURS |
| 35/38 | VENTILADOR | FAN | VENTILADOR | VENTILATEUR |
| 36/24 | TAMPA TRASEIRA CABEÇOTE | CYLINDER HEAD REAR COVER | TAPA TRASERA DE LA CULATA | CACHE-CULBUTEURS ARRIERE |
| 37/28 | TERMOSTATO E CARÇAÇA | THERMOSTAT AND HOUSING | TERMOSTATO Y CÁRTER | THERMOSTAT ET CARTER |
| 38/29 | COLETOR DE ADMISSÃO | INDUCTION MANIFOLD | MÚLTIPLE DE ADMISIÓN | COLLECTEUR D'ADMISSION |
| 39/75 | BOMBA INJETORA COMBUSTÍVEL | FUEL INJECTION PUMP | BOMBA INYECTORA COMBUSTIBLE | POMPE D'INJEC. / COMBUST. |
| 40/01 | SISTEMA AUXILIAR PARTIDA | COLD WEATHER STARTING AID | SIST. AUXILIAR DE ARRANQUE | THERMOSTART |
| 41/19 | COLETOR DE ESCAPE | EXHAUST MANIFOLD | MÚLTIPLE DE ESCAPE | COLLECTEUR D'ÉCHAPPEMENT |
| 42/60 | BOMBA ALIMENTADORA E FILTRO ÓLEO COMBUSTÍVEL | FUEL LIFT PUMP AND FUEL OIL FILTER | BOMBA DE ALIMENTACIÓN Y FILTROS ACEITE COMBUSTIBLE | POMPE D'ALIMENTATION ET FILTRE À HUILE COMBUSTIBLE |
| 43/16 | TOMADA P/ MANÓMETRO ÓLEO | OIL PRESS GAUGE FITTING | TOMA P/ MANÓMETRO ACEITE | PRISE P/ MANOMETRE D'HUILE |
| 44/128 | TOMADA POTÊNCIA | POWER TAKE-OFF | TOMA DE POTENCIA | PRISE DE PUISSANCE |
| 45/.. | CARÇAÇA DO VOLANTE | FLYWHEEL HOUSING | CARTER DEL VOLANTE | CARTER DU VOLANT |
| 46/26 | MOTOR DE PARTIDA | STARTER MOTOR | MOTOR DE ARRANQUE | DÉMARREUR |
| 47/18 | ACIONAMENTO DO TAQUÍMETRO | TACHOMETER DRIVE | MANDO DEL TAQUÍMETRO | COMMANDE DU COMPTE-TOURS |
| 48/36 | TUBO INJEÇÃO / INJETORES | FUEL INJECTION SYSTEM | EQUIPO DE INYECCIÓN | SYSTEME D'INJECTION |
| 49/.. | CONEXÃO ENTRADA D'ÁGUA | WATER INLET CONNECTION | CONEXIÓN ENTRADA D'ÁGUA | RACCORD D'ENTRÉE D'EAU |
| 50/58 | ALTERNADOR E CORREIA | ALTERNATOR AND BELT | ALTERNADOR Y CORREA | ALTERNATEUR ET COURROIE |
| 52/98 | ÍTENS DE INSTALAÇÃO | FITTING ITEMS | PIEZAS DE INSTALACIÓN | ARTICLES D'INSTALLATION |
| 53/14 | RESPIRO DO MOTOR | ENGINEER BREATHER | RESPIRADERO DEL MOTOR | RENIFLARD DU MOTEUR |
| 54/.. | FILTRO DE AR | AIR CLEANER | FILTRO DE AIRE | FILTRE À AIR |
| 55/63 | VOLANTE E CREMALHEIRA | FLYWHEEL AND STARTER RING | VOLANTE Y CORONA | VOLANT ET COURONNE |
| 56/26 | BOMBA D'ÁGUA | WATER PUMP | BOMBA DE ÁGUA | POMPE À EAU |
| ACESSÓRIOS | | | | |
| 71/.. | SUPORTE DO MOTOR | ENGINE SUPPORTS | SOPORTES DEL MOTOR | SUPPORTS DU MOTEUR |
| 72/.. | SISTEMA DE ARREFECIMENTO | COOLING SYSTEM | SISTEMA DE ENFRIAMIENTO | SYSTEME REFROIDISSEMENT |
| 73/.. | CONTROLES | CONTROLS | CONTROLES | CONTRÔLES |
| 74/.. | SISTEMA DE ESCAPE | EXHAUST SYSTEM | SISTEMA DE ESCAPE | SYSTEME D'ÉCHAPPEMENT |
| 75/.. | SISTEMA DE COMBUSTÍVEL | FUEL SYSTEM | SISTEMA DE COMBUSTIBLE | SYSTEME D'COMBUSTIBLE |
| 76/.. | SISTEMA DE ADMISSÃO | INDUCTION SYSTEM | SISTEMA DE ADMISIÓN | SYSTEME D'ADMISSION |
| 77/.. | PAINEL DE INSTRUMENTOS | INSTRUMENT PANEL | TABLERO DE INSTRUMENTOS | TABLEAU DE BORD |
| 78/.. | SISTEMA ELÉTRICO | ELECTRICAL SYSTEM | SISTEMA ELÉCTRICO | SYSTEME ÉLECTRIQUE |
| JOGO DE JUNTAS | | | | |
| 00/42 | JOGO DE JUNTAS CABEÇOTE | TOP OVERHAUL | JUEGO DE JUNTAS CULATA | JEU DE JOINTS CULASSE |
| 00/17 | JOGO DE JUNTAS BLOCO | BOTTOM OVERHAUL | JUEGO DE JUNTAS BLOQUE | JEU DE JOINTS DU BLOC |

(A) → 301180S
(B) → 301181S

**ÍNDICE DE GRUPOS
GROUP INDEX
INDICE DE GRUPOS
INDEX DE GROUPE**

**MOTOR 4.236 (A)
TRATOR AGRÍCOLA
MF 275**

**LISTA DE PEÇAS
PART LIST
LISTA DE PIEZAS
LISTE DE PIÈCES**

8537

| GRUPOS | UNIDADE BÁSICA Nº 159 | BASIC UNIT Nº 159 | UNIDAD BÁSICA Nº 159 | UNITÉ DE BASE Nº 159 |
|--------|---|---------------------------------------|---|---|
| 11/33 | BLOCO DE CILINDROS | CYLINDER BLOCK | BLOQUE DE CILINDROS | BLOC-CYLINDRES |
| 12/16 | CAIXA DISTRIBUIÇÃO | TIMING CASE | CAJA DISTRIBUCIÓN | CARTER DISTRIBUTION |
| 13/13 | ÁRVORE DE MANIVELAS | CRANKSHAFT | CIGUENAL | VILEBREQUIN |
| 14/14 | PISTÕES E BIELAS | PISTONS / CONNECT RODS | PISTONES Y BIELAS | PISTONS ET BIELLES |
| 15/17 | BOMBA ÓLEO LUBRIFICANTE | LUBRICATING OIL PUMP | BOMBA ACEITE LUBRIFICANTE | POMPE À HUILE LUBRIFIANTE |
| 17/31 | CABEÇOTE | CYLINDER HEAD | CULATA | CULASSE |
| 18/25 | VÁLVULAS/BALANCEIROS | VALVES / ROCKERSHAFT | VÁLVULAS / BALANCINES | SOUPAPES / LEVIERS |
| 20/17 | RETENTOR TRASEIRO DE ÓLEO | REAR OIL SEAL | SELLO TRASERO DE ACEITE | DÉFLECTEUR D'HUILE ARR. |
| 21/09 | ÁRVORE COMANDO VÁLVULAS | CAMSHAFT | ARBOL DE LEVAS | ARBRE À CAMES |
| 22/08 | ENGRENAGENS DISTRIBUIÇÃO | IDLER GEARS | ENGRENAJES DISTRIBUCIÓN | PIGNONS DISTRIBUTION |
| | COMPLEMENTOS | COMPLEMENTS | COMPLEMENTOS | COMPLÉMENTS |
| 31/67 | CARTER ÓLEO LUBRIFICANTE | LUBRICATING OIL SUMP | CARTER ACEITE LUBRIFICANTE | CARTER HUILE LUBRIFIANTE |
| 32/46 | POLIA ÁRVORE MANIVELAS | CRANKSHAFT PULLEY | POLEA DEL CIGÜENAL | POULIE DU VILEBREQUIN |
| 33/21 | FILTRO ÓLEO LUBRIFICANTE | LUBR. OIL FILTER | FILTRO ACEITE LUBRIFICANTE | FILTRE HUILE LUBRIFIANTE |
| 34/38 | TAMPA DO CABEÇOTE | CYLINDER HEAD COVER | TAPA DE VÁLVULAS | CACHE-CULBUTEURS |
| 35/.. | VENTILADOR | FAN | VENTILADOR | VENTILATEUR |
| 36/24 | TAMPA TRASEIRA CABEÇOTE | CYLINDER HEAD REAR COVER | TAPA TRASERA DE LA CULATA | CACHE-CULBUTEURS ARRIERE |
| 37/28 | TERMOSTATO E CARÇAÇA | THERMOSTAT AND HOUSING | TERMOSTATO Y CÁRTER | THERMOSTAT ET CARTER |
| 38/29 | COLETOR DE ADMISSÃO | INDUCTION MANIFOLD | MÚLTIPLE DE ADMISIÓN | COLLECTEUR D'ADMISSION |
| 39/75 | BOMBA INJETORA COMBUSTÍVEL | FUEL INJECTION PUMP | BOMBA INYECTORA COMBUSTIBLE | POMPE D'INJEC. / COMBUST. |
| 40/01 | SISTEMA AUXILIAR PARTIDA | COLD WEATHER STARTING AID | SIST. AUXILIAR DE ARRANQUE | THERMOSTART |
| 41/19 | COLETOR DE ESCAPE | EXHAUST MANIFOLD | MÚLTIPLE DE ESCAPE | COLLECTEUR D'ÉCHAPPEMENT |
| 42/94 | BOMBA ALIMENTADORA E FILTRO ÓLEO COMBUSTÍVEL | FUEL LIFT PUMP AND FUEL OIL FILTER | BOMBA DE ALIMENTACIÓN Y FILTROS ACEITE COMBUSTIBLE | POMPE D'ALIMENTATION ET FILTRE À HUILE COMBUSTIBLE |
| 43/16 | TOMADA P/ MANÔMETRO ÓLEO | OIL PRESS GAUGE FITTING | TOMA P/ MANÓMETRO ACEITE | PRISE P/ MANOMETRE D'HUILE |
| 44/128 | TOMADA POTÊNCIA | POWER TAKE-OFF | TOMA DE POTENCIA | PRISE DE PUISSANCE |
| 45/.. | CARÇAÇA DO VOLANTE | FLYWHEEL HOUSING | CARTER DEL VOLANTE | CARTER DU VOLANT |
| 46/26 | MOTOR DE PARTIDA | STARTER MOTOR | MOTOR DE ARRANQUE | DÉMARREUR |
| 47/18 | ACIONAMENTO DO TAQUÍMETRO | TACHOMETER DRIVE | MANDO DEL TAQUÍMETRO | COMMANDE DU COMPTE-TOURS |
| 48/75 | TUBO INJEÇÃO / INJETORES | FUEL INJECTION SYSTEM | EQUIPO DE INYECCIÓN | SYSTEME D'INJECTION |
| 49/.. | CONEXÃO ENTRADA D'ÁGUA | WATER INLET CONNECTION | CONEXIÓN ENTRADA D'ÁGUA | RACCORD D'ENTRÉE D'EAU |
| 50/.. | ALTERNADOR E CORREIA | ALTERNATOR AND BELT | ALTERNADOR Y CORREA | ALTERNATEUR ET COURROIE |
| 52/98 | ÍTEMS DE INSTALAÇÃO | FITTING ITEMS | PIEZAS DE INSTALACIÓN | ARTICLES D'INSTALLATION |
| 53/14 | RESPIRO DO MOTOR | ENGINE BREATHER | RESPIRADERO DEL MOTOR | RENIFLARD DU MOTEUR |
| 54/.. | FILTRO DE AR | AIR CLEANER | FILTRO DE AIRE | FILTRE À AIR |
| 55/.. | VOLANTE E CREMALHEIRA | FLYWHEEL AND STARTER RING | VOLANTE Y CORONA | VOLANT ET COURONNE |
| 56/69 | BOMBA D'ÁGUA | WATER PUMP | BOMBA DE ÁGUA | POMPE À EAU |
| | ACESSÓRIOS | ACCESSORIES | ACESSORIOS | ACESSOIRES |
| 71/.. | SUORTE DO MOTOR | ENGINE SUPPORTS | SOPORTES DEL MOTOR | SUPPORTS DU MOTEUR |
| 72/.. | SISTEMA DE ARREFECIMENTO | COOLING SYSTEM | SISTEMA DE ENFRIAMIENTO | SYSTEME REFROIDISSEMENT |
| 73/.. | CONTROLES | CONTROLS | CONTROLES | CONTRÔLES |
| 74/.. | SISTEMA DE ESCAPE | EXHAUST SYSTEM | SISTEMA DE ESCAPE | SYSTEME D'ÉCHAPPEMENT |
| 75/.. | SISTEMA DE COMBUSTÍVEL | FUEL SYSTEM | SISTEMA DE COMBUSTIBLE | SYSTEME D'COMBUSTIBLE |
| 76/.. | SISTEMA DE ADMISSÃO | INDUCTION SYSTEM | SISTEMA DE ADMISIÓN | SYSTEME D'ADMISSION |
| 77/.. | PAINEL DE INSTRUMENTOS | INSTRUMENT PANEL | TABLERO DE INSTRUMENTOS | TABLEAU DE BORD |
| 78/.. | SISTEMA ELÉTRICO | ELECTRICAL SYSTEM | SISTEMA ELÉCTRICO | SYSTEME ÉLECTRIQUE |
| | JOGO DE JUNTAS | JOINT SETS | JUEGOS DE JUNTAS | JEUX DE JOINTS |
| 00/42 | JOGO DE JUNTAS CABEÇOTE | TOP OVERHAUL | JUEGO DE JUNTAS CULATA | JEU DE JOINTS CULASSE |
| 00/17 | JOGO DE JUNTAS BLOCO | BOTTOM OVERHAUL | JUEGO DE JUNTAS BLOQUE | JEU DE JOINTS DU BLOC |

**ÍNDICE DE GRUPOS
GROUP INDEX
INDICE DE GRUPOS
INDEX DE GROUPE**

**MOTOR 4.236 (A)
TRATOR AGRÍCOLA
MF 270**

**LISTA DE PEÇAS
PART LIST
LISTA DE PIEZAS
LISTE DE PIÉCES**

8545

| GRUPOS | UNIDADE BÁSICA Nº 159 | BASIC UNIT Nº 159 | UNIDAD BÁSICA Nº 159 | UNITÉ DE BASE Nº 159 |
|--------|---|---------------------------------------|---|---|
| 11/33 | BLOCO DE CILINDROS | CYLINDER BLOCK | BLOQUE DE CILINDROS | BLOC-CYLINDRES |
| 12/16 | CAIXA DISTRIBUIÇÃO | TIMING CASE | CAJA DISTRIBUCIÓN | CARTER DISTRIBUTION |
| 13/13 | ÁRVORE DE MANIVELAS | CRANKSHAFT | CIGÜENAL | VILEBREQUIN |
| 14/14 | PISTÕES E BIELAS | PISTONS / CONNECT RODS | PISTONES Y BIELAS | PISTONS ET BIELLES |
| 15/17 | BOMBA ÓLEO LUBRIFICANTE | LUBRICATING OIL PUMP | BOMBA ACEITE LUBRIFICANTE | POMPE À HUILE LUBRIFIANTE |
| 17/31 | CABEÇOTE | CYLINDER HEAD | CULATA | CULASSE |
| 18/25 | VÁLVULAS/BALANCEIROS | VALVES / ROCKERSHAFT | VÁLVULAS / BALANCINES | SOUPAPES / LEVIERS |
| 20/17 | RETENTOR TRASEIRO DE ÓLEO | REAR OIL SEAL | SELLO TRASERO DE ACEITE | DÉFLECTEUR D'HUILE ARR. |
| 21/09 | ÁRVORE COMANDO VÁLVULAS | CAMSHAFT | ARBOL DE LEVAS | ARBRE À CAMES |
| 22/08 | ENGRENAGENS DISTRIBUIÇÃO | IDLER GEARS | ENGRENAJES DISTRIBUCIÓN | PIGNONS DISTRIBUTION |
| | COMPLEMENTOS | COMPLEMENTS | COMPLEMENTOS | COMPLÉMENTS |
| 31/51 | CARTER ÓLEO LUBRIFICANTE | LUBRICATING OIL SUMP | CARTER ACEITE LUBRIFICANTE | CARTER HUILE LUBRIFIANTE |
| 32/46 | POLIA ÁRVORE MANIVELAS | CRANKSHAFT PULLEY | POLEA DEL CIGÜENAL | POULIE DU VILEBREQUIN |
| 33/21 | FILTRO ÓLEO LUBRIFICANTE | LUBR. OIL FILTER | FILTRO ACEITE LUBRIFICANTE | FILTRE HUILE LUBRIFIANTE |
| 34/38 | TAMPA DO CABEÇOTE | CYLINDER HEAD COVER | TAPA DE VÁLVULAS | CACHE-CULBUTEURS |
| 35/.. | VENTILADOR | FAN | VENTILADOR | VENTILATEUR |
| 36/24 | TAMPA TRASEIRA CABEÇOTE | CYLINDER HEAD REAR COVER | TAPA TRASERA DE LA CULATA | CACHE-CULBUTEURS ARRIERE |
| 37/28 | TERMOSTATO E CARÇAÇA | THERMOSTAT AND HOUSING | TERMOSTATO Y CÁRTER | THERMOSTAT ET CARTER |
| 38/77 | COLETOR DE ADMISSÃO | INDUCTION MANIFOLD | MÚLTIPLE DE ADMISIÓN | COLLECTEUR D'ADMISSION |
| 39/133 | BOMBA INJETORA COMBUSTÍVEL | FUEL INJECTION PUMP | BOMBA INYECTORA COMBUSTIBLE | POMPE D'INJEC. / COMBUST. |
| 40/01 | SISTEMA AUXILIAR PARTIDA | COLD WEATHER STARTING AID | SIST. AUXILIAR DE ARRANQUE | THERMOSTART |
| 41/19 | COLETOR DE ESCAPE | EXHAUST MANIFOLD | MÚLTIPLE DE ESCAPE | COLLECTEUR D'ÉCHAPPEMENT |
| 42/94 | BOMBA ALIMENTADORA E FILTRO ÓLEO COMBUSTÍVEL | FUEL LIFT PUMP AND FUEL OIL FILTER | BOMBA DE ALIMENTACIÓN Y FILTROS ACEITE COMBUSTIBLE | POMPE D'ALIMENTATION ET FILTRE À HUILE COMBUSTIBLE |
| 43/16 | TOMADA P/ MANÔMETRO ÓLEO | OIL PRESS GAUGE FITTING | TOMA P/ MANÓMETRO ACEITE | PRISE P/ MANOMETRE D'HUILE |
| 44/128 | TOMADA POTÊNCIA | POWER TAKE-OFF | TOMA DE POTENCIA | PRISE DE PUISSANCE |
| 45/.. | CARÇAÇA DO VOLANTE | FLYWHEEL HOUSING | CARTER DEL VOLANTE | CARTER DU VOLANT |
| 46/26 | MOTOR DE PARTIDA | STARTER MOTOR | MOTOR DE ARRANQUE | DÉMARREUR |
| 47/18 | ACIONAMENTO DO TAQUÍMETRO | TACHOMETER DRIVE | MANDO DEL TAQUÍMETRO | COMMANDE DU COMPTE-TOURS |
| 48/75 | TUBO INJEÇÃO / INJETORES | FUEL INJECTION SYSTEM | EQUIPO DE INYECCIÓN | SYSTEME D'INJECTION |
| 49/.. | CONEXÃO ENTRADA D'ÁGUA | WATER INLET CONNECTION | CONEXIÓN ENTRADA D'ÁGUA | RACCORDE D'ENTRÉE D'EAU |
| 50/.. | ALTERNADOR E CORREIA | ALTERNATOR AND BELT | ALTERNADOR Y CORREA | ALTERNATEUR ET COURROIE |
| 52/98 | ÍTEMS DE INSTALAÇÃO | FITTING ITEMS | PIEZAS DE INSTALACIÓN | ARTICLES D'INSTALLATION |
| 53/14 | RESPIRO DO MOTOR | ENGINEER BREATHER | RESPIRADERO DEL MOTOR | RENIFLARD DU MOTEUR |
| 54/.. | FILTRO DE AR | AIR CLEANER | FILTRO DE AIRE | FILTRE À AIR |
| 55/.. | VOLANTE E CREMALHEIRA | FLYWHEEL AND STARTER RING | VOLANTE Y CORONA | VOLANT ET COURONNE |
| 56/69 | BOMBA D'ÁGUA | WATER PUMP | BOMBA DE ÁGUA | POMPE À EAU |
| | ACESSÓRIOS | ACCESSORIES | ACESSORIOS | ACESSOIRES |
| 71/.. | SUPORTE DO MOTOR | ENGINE SUPPORTS | SOPORTES DEL MOTOR | SUPPORTS DU MOTEUR |
| 72/.. | SISTEMA DE ARREFECIMENTO | COOLING SYSTEM | SISTEMA DE ENFRIAMIENTO | SYSTEME REFROIDISSEMENT |
| 73/19 | CONTROLES | CONTROLS | CONTROLES | CONTRÔLES |
| 74/.. | SISTEMA DE ESCAPE | EXHAUST SYSTEM | SISTEMA DE ESCAPE | SYSTEME D'ÉCHAPPEMENT |
| 75/.. | SISTEMA DE COMBUSTÍVEL | FUEL SYSTEM | SISTEMA DE COMBUSTIBLE | SYSTEME D'COMBUSTIBLE |
| 76/.. | SISTEMA DE ADMISSÃO | INDUCTION SYSTEM | SISTEMA DE ADMISIÓN | SYSTEME D'ADMISSION |
| 77/.. | PAINEL DE INSTRUMENTOS | INSTRUMENT PANEL | TABLERO DE INSTRUMENTOS | TABLEAU DE BORD |
| 78/.. | SISTEMA ELÉTRICO | ELECTRICAL SYSTEM | SISTEMA ELÉCTRICO | SYSTEME ÉLECTRIQUE |
| | JOGO DE JUNTAS | JOINT SETS | JUEGOS DE JUNTAS | JEUX DE JOINTS |
| 00/42 | JOGO DE JUNTAS CABEÇOTE | TOP OVERHAUL | JUEGO DE JUNTAS CULATA | JEU DE JOINTS CULASSE |
| 00/17 | JOGO DE JUNTAS BLOCO | BOTTOM OVERHAUL | JUEGO DE JUNTAS BLOQUE | JEU DE JOINTS DU BLOC |

**ÍNDICE DE GRUPOS
GROUP INDEX
INDICE DE GRUPOS
INDEX DE GROUPES**

**MOTOR 4.248
TRATOR AGRÍCOLA
MF 290**

**LISTA DE PEÇAS
PART LIST
LISTA DE PIEZAS
LISTE DE PIÈCES**

8552

| GRUPOS | UNIDADE BÁSICA Nº 155 | BASIC UNIT Nº 155 | UNIDAD BÁSICA Nº 155 | UNITÉ DE BASE Nº 155 |
|--------|---|---------------------------------------|---|---|
| 11/36 | BLOCO DE CILINDROS | CYLINDER BLOCK | BLOQUE DE CILINDROS | BLOC-CYLINDRES |
| 12/16 | CAIXA DISTRIBUIÇÃO | TIMING CASE | CAJA DISTRIBUCIÓN | CARTER DISTRIBUTION |
| 13/13 | ÁRVORE DE MANIVELAS | CRANKSHAFT | CIGÜENAL | VILEBREQUIN |
| 14/27 | PISTÕES E BIELAS | PISTONS / CONNECT RODS | PISTONES Y BIELAS | PISTONS ET BIELLES |
| 15/17 | BOMBA ÓLEO LUBRIFICANTE | LUBRICATING OIL PUMP | BOMBA ACEITE LUBRICANTE | POMPE À HUILE LUBRIFIANTE |
| 17/16 | CABEÇOTE | CYLINDER HEAD | CULATA | CULASSE |
| 18/22 | VÁLVULAS/BALANCEIROS | VALVES / ROCKERSHAFT | VÁLVULAS / BALANCINES | SOUPAPES / LEVIERS |
| 20/17 | RETENTOR TRASEIRO DE ÓLEO | REAR OIL SEAL | SELLO TRASERO DE ACEITE | DÉFLECTEUR D'HUILE ARR. |
| 21/09 | ÁRVORE COMANDO VÁLVULAS | CAMSHAFT | ARBOL DE LEVAS | ARBRE À CAMES |
| 22/08 | ENGRENAGENS DISTRIBUIÇÃO | IDLER GEARS | ENGRENAJES DISTRIBUCIÓN | PIGNONS DISTRIBUTION |
| | COMPLEMENTOS | COMPLEMENTS | COMPLEMENTOS | COMPLÉMENTS |
| 31/67 | CARTER ÓLEO LUBRIFICANTE | LUBRICATING OIL SUMP | CARTER ACEITE LUBRICANTE | CARTER HUILE LUBRIFIANTE |
| 32/46 | POLIA ÁRVORE MANIVELAS | CRANKSHAFT PULLEY | POLEA DEL CIGÜENAL | POULIE DU VILEBREQUIN |
| 33/21 | FILTRO ÓLEO LUBRIFICANTE | LUBR. OIL FILTER | FILTRO ACEITE LUBRIFICANTE | FILTRE HUILE LUBRIFIANTE |
| 34/38 | TAMPA DO CABEÇOTE | CYLINDER HEAD COVER | TAPA DE VÁLVULAS | CACHE-CULBUTEURS |
| 35/.. | VENTILADOR | FAN | VENTILADOR | VENTILATEUR |
| 36/24 | TAMPA TRASEIRA CABEÇOTE | CYLINDER HEAD REAR COVER | TAPA TRASERA DE LA CULATA | CACHE-CULBUTEURS ARRIERE |
| 37/28 | TERMOSTATO E CARÇAÇA | THERMOSTAT AND HOUSING | TERMOSTATO Y CÁRTER | THERMOSTAT ET CARTER |
| 38/29 | COLETOR DE ADMISSÃO | INDUCTION MANIFOLD | MÚLTIPLE DE ADMISIÓN | COLLECTEUR D'ADMISSION |
| 39/78 | BOMBA INJETORA COMBUSTÍVEL | FUEL INJECTION PUMP | BOMBA INYECTORA COMBUSTIBLE | POMPE D'INJEC. / COMBUST. |
| 40/01 | SISTEMA AUXILIAR PARTIDA | COLD WEATHER STARTING AID | SIST. AUXILIAR DE ARRANQUE | THERMOSTART |
| 41/19 | COLETOR DE ESCAPE | EXHAUST MANIFOLD | MÚLTIPLE DE ESCAPE | COLLECTEUR D'ÉCHAPPEMENT |
| 42/94 | BOMBA ALIMENTADORA E FILTRO ÓLEO COMBUSTÍVEL | FUEL LIFT PUMP AND FUEL OIL FILTER | BOMBA DE ALIMENTACIÓN Y FILTROS ACEITE COMBUSTIBLE | POMPE D'ALIMENTATION ET FILTRE À HUILE COMBUSTIBLE |
| 43/16 | TOMADA P/ MANÔMETRO ÓLEO | OIL PRESS GAUGE FITTING | TOMA P/ MANÓMETRO ACEITE | PRISE P/ MANOMETRE D'HUILE |
| 44/128 | TOMADA POTÊNCIA | POWER TAKE-OFF | TOMA DE POTENCIA | PRISE DE PUISSANCE |
| 45/.. | CARÇAÇA DO VOLANTE | FLYWHEEL HOUSING | CARTER DEL VOLANTE | CARTER DU VOLANT |
| 46/26 | MOTOR DE PARTIDA | STARTER MOTOR | MOTOR DE ARRANQUE | DÉMARREUR |
| 47/18 | ACIONAMENTO DO TAQUÍMETRO | TACHOMETER DRIVE | MANDO DEL TAQUÍMETRO | COMMANDE DU COMPTE-TOURS |
| 48/62 | TUBO INJEÇÃO / INJETORES | FUEL INJECTION SYSTEM | EQUIPO DE INYECCIÓN | SYSTEME D'INJECTION |
| 49/.. | CONEXÃO ENTRADA D'ÁGUA | WATER INLET CONNECTION | CONEXIÓN ENTRADA D'ÁGUA | RACCORD D'ENTRÉE D'EAU |
| 50/.. | ALTERNADOR E CORREIA | ALTERNATOR AND BELT | ALTERNADOR Y CORREA | ALTERNATEUR ET COURROIE |
| 52/98 | ÍTENS DE INSTALAÇÃO | FITTING ITEMS | PIEZAS DE INSTALACIÓN | ARTICLES D'INSTALLATION |
| 53/14 | RESPIRO DO MOTOR | ENGINEER BREATHER | RESPIRADERO DEL MOTOR | RENIFLARD DU MOTEUR |
| 54/.. | FILTRO DE AR | AIR CLEANER | FILTRO DE AIRE | FILTRE À AIR |
| 55/.. | VOLANTE E CREMALHEIRA | FLYWHEEL AND STARTER RING | VOLANTE Y CORONA | VOLANT ET COURONNE |
| 56/69 | BOMBA D'ÁGUA | WATER PUMP | BOMBA DE ÁGUA | POMPE À EAU |
| | ACESSÓRIOS | ACCESSORIES | ACESSORIOS | ACESSOIRES |
| 71/.. | SUPORTE DO MOTOR | ENGINE SUPPORTS | SOPORTES DEL MOTOR | SUPPORTS DU MOTEUR |
| 72/.. | SISTEMA DE ARREFECIMENTO | COOLING SYSTEM | SISTEMA DE ENFRIAMIENTO | SYSTEME REFROIDISSEMENT |
| 73/.. | CONTROLES | CONTROLS | CONTROLES | CONTRÔLES |
| 74/.. | SISTEMA DE ESCAPE | EXHAUST SYSTEM | SISTEMA DE ESCAPE | SYSTEME D'ÉCHAPPEMENT |
| 75/.. | SISTEMA DE COMBUSTÍVEL | FUEL SYSTEM | SISTEMA DE COMBUSTIBLE | SYSTEME D'COMBUSTIBLE |
| 76/.. | SISTEMA DE ADMISSÃO | INDUCTION SYSTEM | SISTEMA DE ADMISIÓN | SYSTEME D'ADMISSION |
| 77/.. | PAINEL DE INSTRUMENTOS | INSTRUMENT PANEL | TABLERO DE INSTRUMENTOS | TABLEAU DE BORD |
| 78/.. | SISTEMA ELÉTRICO | ELECTRICAL SYSTEM | SISTEMA ELÉCTRICO | SYSTEME ÉLECTRIQUE |
| | JOGO DE JUNTAS | JOINT SETS | JUEGOS DE JUNTAS | JEUX DE JOINTS |
| 00/42 | JOGO DE JUNTAS CABEÇOTE | TOP OVERHAUL | JUEGO DE JUNTAS CULATA | JEU DE JOINTS CULASSE |
| 00/17 | JOGO DE JUNTAS BLOCO | BOTTOM OVERHAUL | JUEGO DE JUNTAS BLOQUE | JEU DE JOINTS DU BLOC |

| GRUPOS | UNIDADE BÁSICA Nº 159 | BASIC UNIT Nº 159 | UNIDAD BÁSICA Nº 159 | UNITÉ DE BASE Nº 159 |
|-----------------------|---|---------------------------------------|---|---|
| 11/33 | BLOCO DE CILINDROS | CYLINDER BLOCK | BLOQUE DE CILINDROS | BLOC-CYLINDRES |
| 12/16 | CAIXA DISTRIBUIÇÃO | TIMING CASE | CAJA DISTRIBUCIÓN | CARTER DISTRIBUTION |
| 13/13 | ÁRVORE DE MANIVELAS | CRANKSHAFT | CIGÜENAL | VILEBREQUIN |
| 14/14 | PISTÕES E BIELAS (A) | PISTONS / CONNECT RODS (A) | PISTONES Y BIELAS (A) | PISTONS ET BIELLES (A) |
| 14/35 | PISTÕES E BIELAS (B) | PISTONS / CONNECT RODS (B) | PISTONES Y BIELAS (B) | PISTONS ET BIELLES (B) |
| 15/17 | BOMBA ÓLEO LUBRIFICANTE | LUBRICATING OIL PUMP | BOMBA ACEITE LUBRIFICANTE | POMPE À HUILE LUBRIFIANTE |
| 17/32 | CABEÇOTE | CYLINDER HEAD | CULATA | CULASSE |
| 18/25 | VÁLVULAS / BALANCEIROS | VALVES / ROCKERSHAFT | VÁLVULAS / BALANCINES | SOUPAPES / LEVIERS |
| 20/17 | RETENTOR TRASEIRO DE ÓLEO | REAR OIL SEAL | SELLO TRASERO DE ACEITE | DÉFLECTEUR D'HUILE ARR. |
| 21/09 | ÁRVORE COMANDO VÁLVULAS | CAMSHAFT | ARBOL DE LEVAS | ARBRE À CAMES |
| 22/08 | ENGRENAGENS DISTRIBUIÇÃO | IDLER GEARS | ENGRENAJES DISTRIBUCIÓN | PIGNONS DISTRIBUTION |
| COMPLEMENTOS | | | | |
| 31/137 | CARTER ÓLEO LUBRIFICANTE | LUBRICATING OIL SUMP | CARTER ACEITE LUBRIFICANTE | CARTER HUILE LUBRIFIANTE |
| 32/46 | POLIA ÁRVORE MANIVELAS | CRANKSHAFT PULLEY | POLEA DEL CIGÜENAL | POULIE DU VILEBREQUIN |
| 33/21 | FILTRO ÓLEO LUBRIFICANTE | LUBR. OIL FILTER | FILTRO ACEITE LUBRIFICANTE | FILTRE HUILE LUBRIFIANTE |
| 34/38 | TAMPA DO CABEÇOTE | CYLINDER HEAD COVER | TAPA DE VÁLVULAS | CACHE-CULBUTEURS |
| 35/.. | VENTILADOR | FAN | VENTILADOR | VENTILATEUR |
| 36/24 | TAMPA TRASEIRA CABEÇOTE | CYLINDER HEAD REAR COVER | TAPA TRASERA DE LA CULATA | CACHE-CULBUTEURS ARRIERE |
| 37/28 | TERMOSTATO E CARÇAÇA | THERMOSTAT AND HOUSING | TERMOSTATO Y CÂRTER | THERMOSTAT ET CARTER |
| 38/29 | COLETOR DE ADMISSÃO (C) | INDUCTION MANIFOLD (C) | MÚLTIPLE DE ADMISIÓN (C) | COLLECTEUR D'ADMISSION (C) |
| 38/77 | COLETOR DE ADMISSÃO (D) | INDUCTION MANIFOLD (D) | MÚLTIPLE DE ADMISIÓN (D) | COLLECTEUR D'ADMISSION (D) |
| 39/132 | BOMBA INJETORA COMBUSTÍVEL | FUEL INJECTION PUMP | BOMBA INYECTORA COMBUSTIBLE | POMPE D'INJEC. / COMBUST. |
| 40/01 | SISTEMA AUXILIAR PARTIDA | COLD WEATHER STARTING AID | SIST. AUXILIAR DE ARRANQUE | THERMOSTART |
| 41/19 | COLETOR DE ESCAPE | EXHAUST MANIFOLD | MÚLTIPLE DE ESCAPE | COLLECTEUR D'ÉCHAPPEMENT |
| 42/94 | BOMBA ALIMENTADORA E FILTRO ÓLEO COMBUSTÍVEL | FUEL LIFT PUMP AND FUEL OIL FILTER | BOMBA DE ALIMENTACIÓN Y FILTROS ACEITE COMBUSTIBLE | POMPE D'ALIMENTATION ET FILTRE À HUILE COMBUSTIBLE |
| 43/16 | TOMADA P/ MANÔMETRO ÓLEO | OIL PRESS GAUGE FITTING | TOMA P/ MANÓMETRO ACEITE | PRISE P/ MANOMETRE D'HUILE |
| 44/128 | TOMADA POTÊNCIA | POWER TAKE-OFF | TOMA DE POTENCIA | PRISE DE PUISSANCE |
| 45/.. | CARÇAÇA DO VOLANTE | FLYWHEEL HOUSING | CARTER DEL VOLANTE | CARTER DU VOLANT |
| 46/26 | MOTOR DE PARTIDA | STARTER MOTOR | MOTOR DE ARRANQUE | DÉMARREUR |
| 47/18 | ACIONAMENTO DO TAQUÍMETRO | TACHOMETER DRIVE | MANDO DEL TAQUÍMETRO | COMMANDE DU COMPTE-TOURS |
| 48/74 | TUBO INJEÇÃO / INJETORES | FUEL INJECTION SYSTEM | EQUIPO DE INYECCIÓN | SYSTEME D'INJECTION |
| 49/.. | CONEXÃO ENTRADA D'ÁGUA | WATER INLET CONNECTION | CONEXIÓN ENTRADA D'ÁGUA | RACCORD D'ENTRÉE D'EAU |
| 50/.. | ALTERNADOR E CORREIA | ALTERNATOR AND BELT | ALTERNADOR Y CORREA | ALTERNATEUR ET COURROIE |
| 52/98 | ÍTENS DE INSTALAÇÃO | FITTING ITEMS | PIEZAS DE INSTALACIÓN | ARTICLES D'INSTALLATION |
| 53/14 | RESPIRO DO MOTOR | ENGINEER BREATHER | RESPIRADERO DEL MOTOR | RENIFLARD DU MOTEUR |
| 54/.. | FILTRO DE AR | AIR CLEANER | FILTRO DE AIRE | FILTRE À AIR |
| 55/.. | VOLANTE E CREMALHEIRA | FLYWHEEL AND STARTER RING | VOLANTE Y CORONA | VOLANT ET COURONNE |
| 56/69 | BOMBA D'ÁGUA | WATER PUMP | BOMBA DE ÁGUA | POMPE À EAU |
| ACESSÓRIOS | | | | |
| 71/.. | SUPORTE DO MOTOR | ENGINE SUPPORTS | SOPORTES DEL MOTOR | SUPPORTS DU MOTEUR |
| 72/.. | SISTEMA DE ARREFECIMENTO | COOLING SYSTEM | SISTEMA DE ENFRIAMIENTO | SYSTEME REFROIDISSEMENT |
| 73/19 | CONTROLES | CONTROLS | CONTROLES | CONTRÔLES |
| 74/.. | SISTEMA DE ESCAPE | EXHAUST SYSTEM | SISTEMA DE ESCAPE | SYSTEME D'ÉCHAPPEMENT |
| 75/.. | SISTEMA DE COMBUSTÍVEL | FUEL SYSTEM | SISTEMA DE COMBUSTIBLE | SYSTEME D'COMBUSTIBLE |
| 76/.. | SISTEMA DE ADMISSÃO | INDUCTION SYSTEM | SISTEMA DE ADMISIÓN | SYSTEME D'ADMISSION |
| 77/.. | PAINEL DE INSTRUMENTOS | INSTRUMENT PANEL | TABLERO DE INSTRUMENTOS | TABLEAU DE BORD |
| 78/.. | SISTEMA ELÉTRICO | ELECTRICAL SYSTEM | SISTEMA ELÉCTRICO | SYSTEME ÉLECTRIQUE |
| JOGO DE JUNTAS | | | | |
| 00/42 | JOGO DE JUNTAS CABEÇOTE | TOP OVERHAUL | JUEGO DE JUNTAS CULATA | JEU DE JOINTS CULASSE |
| 00/17 | JOGO DE JUNTAS BLOCO | BOTTOM OVERHAUL | JUEGO DE JUNTAS BLOQUE | JEU DE JOINTS DU BLOC |
| (A) | → 224900N | (C) | → 292815S | |
| (B) | → 224901N | (D) | → 292816S | |

**ÍNDICE DE GRUPOS
GROUP INDEX
INDICE DE GRUPOS
INDEX DE GROUPES**

**MOTOR 4.236 (A)
TRATOR AGRÍCOLA
MF 275**

**LISTA DE PEÇAS
PART LIST
LISTA DE PIEZAS
LISTE DE PIÉCES**

8714

| GRUPOS | UNIDADE BÁSICA Nº 215 | BASIC UNIT Nº 215 | UNIDAD BÁSICA Nº 215 | UNITÉ DE BASE Nº 215 |
|-----------------------|---|---------------------------------------|---|---|
| 11/33 | BLOCO DE CILINDROS | CYLINDER BLOCK | BLOQUE DE CILINDROS | BLOC-CYLINDRES |
| 12/16 | CAIXA DISTRIBUIÇÃO | TIMING CASE | CAJA DISTRIBUCIÓN | CARTER DISTRIBUTION |
| 13/13 | ÁRVORE DE MANIVELAS (A) | CRANKSHAFT (A) | CIGUENAL (A) | VILEBREQUIN (A) |
| 13/27 | ÁRVORE DE MANIVELAS (B) | CRANKSHAFT (B) | CIGUENAL (B) | VILEBREQUIN (B) |
| 14/35 | PISTÕES E BIELAS | PISTONS / CONNECT RODS | PISTONES Y BIELAS | PISTONS ET BIELLES |
| 15/17 | BOMBA ÓLEO LUBRIFICANTE | LUBRICATING OIL PUMP | BOMBA ACEITE LUBRICANTE | POMPE À HUILE LUBRIFIANTE |
| 17/32 | CABEÇOTE | CYLINDER HEAD | CULATA | CULASSE |
| 18/25 | VÁLVULAS/BALANCEIROS (C) | VALVES / ROCKERSHAFT (C) | VÁLVULAS / BALANCINES (C) | SOUPAPES / LEVIERS (C) |
| 18/26 | VÁLVULAS BALANCEIROS (D) | VALVES / ROCKERSHAFT (D) | VÁLVULAS / BALANCINES (D) | SOUPAPES / LEVIERS (D) |
| 20/17 | RETENTOR TRASEIRO DE ÓLEO | REAR OIL SEAL | SELLO TRASERO DE ACEITE | DÉFLECTEUR D'HUILE ARR. |
| 21/09 | ÁRVORE COMANDO VÁLVULAS | CAMSHAFT | ARBOL DE LEVAS | ARBRE À CAMES |
| 22/08 | ENGRENAGENS DISTRIBUIÇÃO | IDLER GEARS | ENGRENAJES DISTRIBUCIÓN | PIGNONS DISTRIBUTION |
| COMPLEMENTOS | | COMPLEMENTS | COMPLEMENTOS | COMPLÉMENTS |
| 31/67 | CARTER ÓLEO LUBRIFICANTE | LUBRICATING OIL SUMP | CARTER ACEITE LUBRICANTE | CARTER HUILE LUBRIFIANTE |
| 32/46 | POLIA ÁRVORE MANIVELAS | CRANKSHAFT PULLEY | POLEA DEL CIGÜENAL | POULIE DU VILEBREQUIN |
| 33/21 | FILTRO ÓLEO LUBRIFICANTE | LUBR. OIL FILTER | FILTRO ACEITE LUBRIFICANTE | FILTRE HUILE LUBRIFIANTE |
| 34/38 | TAMPA DO CABEÇOTE | CYLINDER HEAD COVER | TAPA DE VÁLVULAS | CACHE-CULBUTEURS |
| 35/.. | VENTILADOR | FAN | VENTILADOR | VENTILATEUR |
| 36/24 | TAMPA TRASEIRA CABEÇOTE | CYLINDER HEAD REAR COVER | TAPA TRASERA DE LA CULATA | CACHE-CULBUTEURS ARRIERE |
| 37/28 | TERMOSTATO E CARÇAÇA | THERMOSTAT AND HOUSING | TERMOSTATO Y CÁRTER | THERMOSTAT ET CARTER |
| 38/29 | COLETOR DE ADMISSÃO (E) | INDUCTION MANIFOLD (E) | MÚLTIPLE DE ADMISIÓN (E) | COLLECTEUR D'ADMISSION (E) |
| 38/77 | COLETOR DE ADMISSÃO (F) | INDUCTION MANIFOLD (F) | MÚLTIPLE DE ADMISIÓN (F) | COLLECTEUR D'ADMISSION (F) |
| 39/75 | BOMBA INJETORA COMBUSTÍVEL | FUEL INJECTION PUMP | BOMBA INYECTORA COMBUSTIBLE | POMPE D'INJEC. / COMBUST. |
| 40/01 | SISTEMA AUXILIAR PARTIDA | COLD WEATHER STARTING AID | SIST. AUXILIAR DE ARRANQUE | THERMOSTART |
| 41/19 | COLETOR DE ESCAPE | EXHAUST MANIFOLD | MÚLTIPLE DE ESCAPE | COLLECTEUR D'ÉCHAPPEMENT |
| 42/94 | BOMBA ALIMENTADORA E FILTRO ÓLEO COMBUSTÍVEL | FUEL LIFT PUMP AND FUEL OIL FILTER | BOMBA DE ALIMENTACIÓN Y FILTROS ACEITE COMBUSTIBLE | POMPE D'ALIMENTATION ET FILTRE À HUILE COMBUSTIBLE |
| 43/16 | TOMADA P/ MANÔMETRO ÓLEO | OIL PRESS GAUGE FITTING | TOMA P/ MANÓMETRO ACEITE | PRISE P/ MANOMETRE D'HUILE |
| 44/128 | TOMADA POTÊNCIA | POWER TAKE-OFF | TOMA DE POTENCIA | PRISE DE PUISSANCE |
| 45/.. | CARÇAÇA DO VOLANTE | FLYWHEEL HOUSING | CARTER DEL VOLANTE | CARTER DU VOLANT |
| 46/26 | MOTOR DE PARTIDA | STARTER MOTOR | MOTOR DE ARRANQUE | DÉMARREUR |
| 47/18 | ACIONAMENTO DO TAQUÍMETRO | TACHOMETER DRIVE | MANDO DEL TAQUÍMETRO | COMMANDE DU COMPTE-TOURS |
| 48/90 | TUBO INJEÇÃO / INJETORES | FUEL INJECTION SYSTEM | EQUIPO DE INYECCIÓN | SYSTEME D'INJECTION |
| 49/.. | CONEXÃO ENTRADA D'ÁGUA | WATER INLET CONNECTION | CONEXIÓN ENTRADA D'ÁGUA | RACCORD D'ENTRÉE D'EAU |
| 50/.. | ALTERNADOR E CORREIA | ALTERNATOR AND BELT | ALTERNADOR Y CORREA | ALTERNATEUR ET COURROIE |
| 52/98 | ÍTENS DE INSTALAÇÃO | FITTING ITEMS | PIEZAS DE INSTALACIÓN | ARTICLES D'INSTALLATION |
| 53/14 | RESPIRO DO MOTOR | ENGINEER BREATHER | RESPIRADERO DEL MOTOR | RENIFLARD DU MOTEUR |
| 54/.. | FILTRO DE AR | AIR CLEANER | FILTRO DE AIRE | FILTRE À AIR |
| 55/.. | VOLANTE E CREMALHEIRA | FLYWHEEL AND STARTER RING | VOLANTE Y CORONA | VOLANT ET COURONNE |
| 56/69 | BOMBA D'ÁGUA | WATER PUMP | BOMBA DE ÁGUA | POMPE À EAU |
| ACESSÓRIOS | | ACCESSORIES | ACESSORIOS | ACCESSOIRES |
| 71/.. | SUPORTE DO MOTOR | ENGINE SUPPORTS | SOPORTES DEL MOTOR | SUPPORTS DU MOTEUR |
| 72/.. | SISTEMA DE ARREFECIMENTO | COOLING SYSTEM | SISTEMA DE ENFRIAMIENTO | SYSTEME REFOIDISSEMENT |
| 73/.. | CONTROLES | CONTROLS | CONTROLES | CONTRÔLES |
| 74/.. | SISTEMA DE ESCAPE | EXHAUST SYSTEM | SISTEMA DE ESCAPE | SYSTEME D'ÉCHAPPEMENT |
| 75/.. | SISTEMA DE COMBUSTÍVEL | FUEL SYSTEM | SISTEMA DE COMBUSTIBLE | SYSTEME D'COMBUSTIBLE |
| 76/.. | SISTEMA DE ADMISSÃO | INDUCTION SYSTEM | SISTEMA DE ADMISIÓN | SYSTEME D'ADMISSION |
| 77/.. | PAINEL DE INSTRUMENTOS | INSTRUMENT PANEL | TABLERO DE INSTRUMENTOS | TABLEAU DE BORD |
| 78/.. | SISTEMA ELÉTRICO | ELECTRICAL SYSTEM | SISTEMA ELÉCTRICO | SYSTEME ÉLECTRIQUE |
| JOGO DE JUNTAS | | JOINT SETS | JUEGOS DE JUNTAS | JEUX DE JOINTS |
| 00/42 | JOGO DE JUNTAS CABEÇOTE | TOP OVERHAUL | JUEGO DE JUNTAS CULATA | JEU DE JOINTS CULASSE |
| 00/17 | JOGO DE JUNTAS BLOCO | BOTTOM OVERHAUL | JUEGO DE JUNTAS BLOQUE | JEU DE JOINTS DU BLOC |
| (A) | → 224901N | (D) | → 407699V | |
| (B) | → 224902N | (E) | → 292839S | |
| (C) | → 407698V | (F) | → 292840S | |

**ÍNDICE DE GRUPOS
GROUP INDEX
INDICE DE GRUPOS
INDEX DE GROUPE**

**MOTOR 4.236 (A)
TRATOR AGRÍCOLA
MF 292**

**LISTA DE PEÇAS
PART LIST
LISTA DE PIEZAS
LISTE DE PIÉCES**

8719

| GRUPOS | UNIDADE BÁSICA Nº 218 | BASIC UNIT Nº 218 | UNIDAD BÁSICA Nº 218 | UNITÉ DE BASE Nº 218 |
|-----------------------|---|---------------------------------------|---|---|
| 11/58 | BLOCO DE CILINDROS | CYLINDER BLOCK | BLOQUE DE CILINDROS | BLOC-CYLINDRES |
| 12/16 | CAIXA DISTRIBUIÇÃO | TIMING CASE | CAJA DISTRIBUCIÓN | CARTER DISTRIBUTION |
| 13/38 | ÁRVORE DE MANIVELAS | CRANKSHAFT | CIGUENAL | VILEBREQUIN |
| 14/28 | PISTÕES E BIELAS | PISTONS / CONNECT RODS | PISTONES Y BIELAS | PISTONS ET BIELLES |
| 15/18 | BOMBA ÓLEO LUBRIFICANTE | LUBRICATING OIL PUMP | BOMBA ACEITE LUBRIFICANTE | POMPE À HUILE LUBRIFIANTE |
| 17/27 | CABEÇOTE | CYLINDER HEAD | CULATA | CULASSE |
| 18/28 | VÁLVULAS/BALANCEIROS | VALVES / ROCKERSHAFT | VÁLVULAS / BALANCINES | SOUPAPES / LEVIERS |
| 20/17 | RETENTOR TRASEIRO DE ÓLEO | REAR OIL SEAL | SELLO TRASERO DE ACEITE | DÉFLECTEUR D'HUILE ARR. |
| 21/18 | ÁRVORE COMANDO VÁLVULAS | CAMSHAFT | ARBOL DE LEVAS | ARBRE À CAMES |
| 22/13 | ENGRENAGENS DISTRIBUIÇÃO | IDLER GEARS | ENGRENAJES DISTRIBUCIÓN | PIGNONS DISTRIBUTION |
| COMPLEMENTOS | | | | |
| 31/114 | CARTER ÓLEO LUBRIFICANTE | LUBRICATING OIL SUMP | CARTER ACEITE LUBRIFICANTE | CARTER HUILE LUBRIFIANTE |
| 32/46 | POLIA ÁRVORE MANIVELAS | CRANKSHAFT PULLEY | POLEA DEL CIGÜENAL | POULIE DU VILEBREQUIN |
| 33/101 | FILTRO ÓLEO LUBRIFICANTE | LUBR. OIL FILTER | FILTRO ACEITE LUBRIFICANTE | FILTRE HUILE LUBRIFIANTE |
| 34/67 | TAMPA DO CABEÇOTE | CYLINDER HEAD COVER | TAPA DE VÁLVULAS | CACHE-CULBUTEURS |
| 35/.. | VENTILADOR | FAN | VENTILADOR | VENTILATEUR |
| 36/52 | TAMPA TRASEIRA CABEÇOTE | CYLINDER HEAD REAR COVER | TAPA TRASERA DE LA CULATA | CACHE-CULBUTEURS ARRIERE |
| 37/77 | TERMOSTATO E CARÇAÇA | THERMOSTAT AND HOUSING | TERMOSTATO Y CÁRTER | THERMOSTAT ET CARTER |
| 38/69 | COLETOR DE ADMISSÃO | INDUCTION MANIFOLD | MÚLTIPLE DE ADMISIÓN | COLLECTEUR D'ADMISSION |
| 39/142 | BOMBA INJETORA COMBUSTÍVEL | FUEL INJECTION PUMP | BOMBA INYECTORA COMBUSTIBLE | POMPE D'INJEC. / COMBUST. |
| 40/77 | SISTEMA AUXILIAR PARTIDA | COLD WEATHER STARTING AID | SIST. AUXILIAR DE ARRANQUE | THERMOSTART |
| 41/41 | COLETOR DE ESCAPE | EXHAUST MANIFOLD | MÚLTIPLE DE ESCAPE | COLLECTEUR D'ÉCHAPPEMENT |
| 42/165 | BOMBA ALIMENTADORA E FILTRO ÓLEO COMBUSTÍVEL | FUEL LIFT PUMP AND FUEL OIL FILTER | BOMBA DE ALIMENTACIÓN Y FILTROS ACEITE COMBUSTIBLE | POMPE D'ALIMENTATION ET FILTRE À HUILE COMBUSTIBLE |
| 43/17 | TOMADA P/ MANÓMETRO ÓLEO | OIL PRESS GAUGE FITTING | TOMA P/ MANÓMETRO ACEITE | PRISE P/ MANOMETRE D'HUILE |
| 44/128 | TOMADA POTÊNCIA | POWER TAKE-OFF | TOMA DE POTENCIA | PRISE DE PUISSANCE |
| 45/.. | CARÇAÇA DO VOLANTE | FLYWHEEL HOUSING | CARTER DEL VOLANTE | CARTER DU VOLANT |
| 46/26 | MOTOR DE PARTIDA | STARTER MOTOR | MOTOR DE ARRANQUE | DÉMAREUR |
| 47/32 | ACIONAMENTO DO TAQUÍMETRO | TACHOMETER DRIVE | MANDO DEL TAQUÍMETRO | COMMANDE DU COMPTE-TOURS |
| 48/80 | TUBO INJEÇÃO / INJETORES | FUEL INJECTION SYSTEM | EQUIPO DE INYECCIÓN | SYSTEME D'INJECTION |
| 49/15 | CONEXÃO ENTRADA D'ÁGUA | WATER INLET CONNECTION | CONEXIÓN ENTRADA D'ÁGUA | RACCORD D'ENTRÉE D'EAU |
| 50/.. | ALTERNADOR E CORREIA | ALTERNATOR AND BELT | ALTERNADOR Y CORREA | ALTERNATEUR ET COURROIE |
| 52/226 | ÍTENS DE INSTALAÇÃO | FITTING ITEMS | PIEZAS DE INSTALACIÓN | ARTICLES D'INSTALLATION |
| 53/14 | RESPIRO DO MOTOR | ENGINEER BREATHER | RESPIRADERO DEL MOTOR | RENIFLARD DU MOTEUR |
| 54/.. | FILTRO DE AR | AIR CLEANER | FILTRO DE AIRE | FILTRE À AIR |
| 55/.. | VOLANTE E CREMALHEIRA | FLYWHEEL AND STARTER RING | VOLANTE Y CORONA | VOLANT ET COURONNE |
| 56/78 | BOMBA D'ÁGUA | WATER PUMP | BOMBA DE ÁGUA | POMPE À EAU |
| 58/07 | INSTALAÇÃO DO TURBO | TURBOCHARGER INSTALLATION | INSTALACIÓN DEL TURBO | INSTALLATION DU TURBO |
| ACESSÓRIOS | | | | |
| 71/.. | SUPORTE DO MOTOR | ENGINE SUPPORTS | SOPORTES DEL MOTOR | SUPPORTS DU MOTEUR |
| 72/.. | SISTEMA DE ARREFECIMENTO | COOLING SYSTEM | SISTEMA DE ENFRIAMIENTO | SYSTEME REFROIDISSEMENT |
| 73/.. | CONTROLES | CONTROLS | CONTROLES | CONTRÔLES |
| 74/.. | SISTEMA DE ESCAPE | EXHAUST SYSTEM | SISTEMA DE ESCAPE | SYSTEME D'ÉCHAPPEMENT |
| 75/19 | SISTEMA DE COMBUSTÍVEL | FUEL SYSTEM | SISTEMA DE COMBUSTIBLE | SYSTEME D'COMBUSTIBLE |
| 76/.. | SISTEMA DE ADMISSÃO | INDUCTION SYSTEM | SISTEMA DE ADMISIÓN | SYSTEME D'ADMISSION |
| 77/.. | PAINEL DE INSTRUMENTOS | INSTRUMENT PANEL | TABLERO DE INSTRUMENTOS | TABLEAU DE BORD |
| 78/.. | SISTEMA ELÉTRICO | ELECTRICAL SYSTEM | SISTEMA ELÉCTRICO | SYSTEME ÉLECTRIQUE |
| JOGO DE JUNTAS | | | | |
| 00/26 | JOGO DE JUNTAS CABEÇOTE | TOP OVERHAUL | JUEGO DE JUNTAS CULATA | JEU DE JOINTS CULASSE |
| 00/27 | JOGO DE JUNTAS BLOCO | BOTTOM OVERHAUL | JUEGO DE JUNTAS BLOQUE | JEU DE JOINTS DU BLOC |

**ÍNDICE DE GRUPOS
GROUP INDEX
INDICE DE GRUPOS
INDEX DE GROUPES**

**MOTOR 4.248
TRATOR AGRÍCOLA
MF 290**

**LISTA DE PEÇAS
PART LIST
LISTA DE PIEZAS
LISTE DE PIÈCES**

8723

| GRUPOS | UNIDADE BÁSICA Nº 219 | BASIC UNIT Nº 219 | UNIDAD BÁSICA Nº 219 | UNITÉ DE BASE Nº 219 |
|--------|---|---------------------------------------|---|---|
| 11/36 | BLOCO DE CILINDROS | CYLINDER BLOCK | BLOQUE DE CILINDROS | BLOC-CYLINDRES |
| 12/16 | CAIXA DISTRIBUIÇÃO | TIMING CASE | CAJA DISTRIBUCIÓN | CARTER DISTRIBUTION |
| 13/13 | ÁRVORE DE MANIVELAS | CRANKSHAFT | CIGÜENAL | VILEBREQUIN |
| 14/27 | PISTÕES E BIELAS | PISTONS / CONNECT RODS | PISTONES Y BIELAS | PISTONS ET BIELLES |
| 15/17 | BOMBA ÓLEO LUBRIFICANTE | LUBRICATING OIL PUMP | BOMBA ACEITE LUBRICANTE | POMPE À HUILE LUBRIFIANTE |
| 17/16 | CABEÇOTE | CYLINDER HEAD | CULATA | CULASSE |
| 18/25 | VÁLVULAS/BALANCEIROS | VALVES / ROCKERSHAFT | VÁLVULAS / BALANCINES | SOUPAPES / LEVIERS |
| 20/17 | RETENTOR TRASEIRO DE ÓLEO | REAR OIL SEAL | SELLO TRASERO DE ACEITE | DÉFLECTEUR D'HUILE ARR. |
| 21/09 | ÁRVORE COMANDO VÁLVULAS (C) | CAMSHAFT (C) | ARBOL DE LEVAS (C) | ARBRE À CAMES (C) |
| 21/19 | ÁRVORE COMANDO VÁLVULAS (D) | CAMSHAFT (D) | ARBOL DE LEVAS (D) | ARBRE À CAMES (D) |
| 22/08 | ENGRENAGENS DISTRIBUIÇÃO (C) | IDLER GEARS (C) | ENGRENAJES DISTRIBUCIÓN (C) | PIGNONS DISTRIBUTION (C) |
| 22/13 | ENGRENAGENS DISTRIBUIÇÃO (D) | IDLER GEARS (D) | ENGRENAJES DISTRIBUCIÓN (D) | PIGNONS DISTRIBUTION (D) |
| | COMPLEMENTOS | COMPLEMENTS | COMPLEMENTOS | COMPLÉMENTS |
| 31/67 | CARTER ÓLEO LUBRIFICANTE | LUBRICATING OIL SUMP | CARTER ACEITE LUBRICANTE | CARTER HUILE LUBRIFIANTE |
| 32/46 | POLIA ÁRVORE MANIVELAS | CRANKSHAFT PULLEY | POLEA DEL CIGÜENAL | POULIE DU VILEBREQUIN |
| 33/21 | FILTRO ÓLEO LUBRIFICANTE | LUBR. OIL FILTER | FILTRO ACEITE LUBRIFICANTE | FILTRE HUILE LUBRIFIANTE |
| 34/38 | TAMPA DO CABEÇOTE | CYLINDER HEAD COVER | TAPA DE VÁLVULAS | CACHE-CULBUTEURS |
| 35/.. | VENTILADOR | FAN | VENTILADOR | VENTILATEUR |
| 36/24 | TAMPA TRASEIRA CABEÇOTE | CYLINDER HEAD REAR COVER | TAPA TRASERA DE LA CULATA | CACHE-CULBUTEURS ARRIERE |
| 37/28 | TERMOSTATO E CARÇAÇA | THERMOSTAT AND HOUSING | TERMOSTATO Y CÁRTER | THERMOSTAT ET CARTER |
| 38/29 | COLETOR DE ADMISSÃO (A) | INDUCTION MANIFOLD (A) | MÚLTIPLE DE ADMISIÓN (A) | COLLECTEUR D'ADMISSION (A) |
| 38/77 | COLETOR DE ADMISSÃO (B) | INDUCTION MANIFOLD (B) | MÚLTIPLE DE ADMISIÓN (B) | COLLECTEUR D'ADMISSION (B) |
| 39/78 | BOMBA INJETORA COMBUSTÍVEL | FUEL INJECTION PUMP | BOMBA INYECTORA COMBUSTIBLE | POMPE D'INJEC. / COMBUST. |
| 40/01 | SISTEMA AUXILIAR PARTIDA | COLD WEATHER STARTING AID | SIST. AUXILIAR DE ARRANQUE | THERMOSTART |
| 41/19 | COLETOR DE ESCAPE | EXHAUST MANIFOLD | MÚLTIPLE DE ESCAPE | COLLECTEUR D'ÉCHAPPEMENT |
| 42/94 | BOMBA ALIMENTADORA E FILTRO ÓLEO COMBUSTÍVEL | FUEL LIFT PUMP AND FUEL OIL FILTER | BOMBA DE ALIMENTACIÓN Y FILTROS ACEITE COMBUSTIBLE | POMPE D'ALIMENTATION ET FILTRE À HUILE COMBUSTIBLE |
| 43/16 | TOMADA P/ MANÔMETRO ÓLEO | OIL PRESS GAUGE FITTING | TOMA P/ MANÓMETRO ACEITE | PRISE P/ MANOMETRE D'HUILE |
| 44/128 | TOMADA POTÊNCIA | POWER TAKE-OFF | TOMA DE POTENCIA | PRISE DE PUISSANCE |
| 45/.. | CARÇAÇA DO VOLANTE | FLYWHEEL HOUSING | CARTER DEL VOLANTE | CARTER DU VOLANT |
| 46/26 | MOTOR DE PARTIDA | STARTER MOTOR | MOTOR DE ARRANQUE | DÉMARREUR |
| 47/18 | ACIONAMENTO DO TAQUÍMETRO | TACHOMETER DRIVE | MANDO DEL TAQUÍMETRO | COMMANDE DU COMPTE-TOURS |
| 48/62 | TUBO INJEÇÃO / INJETORES | FUEL INJECTION SYSTEM | EQUIPO DE INYECCIÓN | SYSTEME D'INJECTION |
| 49/.. | CONEXÃO ENTRADA D'ÁGUA | WATER INLET CONNECTION | CONEXIÓN ENTRADA D'ÁGUA | RACCORD D'ENTRÉE D'EAU |
| 50/.. | ALTERNADOR E CORREIA | ALTERNATOR AND BELT | ALTERNADOR Y CORREA | ALTERNATEUR ET COURROIE |
| 52/98 | ÍTENS DE INSTALAÇÃO | FITTING ITEMS | PIEZAS DE INSTALACIÓN | ARTICLES D'INSTALLATION |
| 53/14 | RESPIRO DO MOTOR | ENGINEER BREATHER | RESPIRADERO DEL MOTOR | RENIFLARD DU MOTEUR |
| 54/.. | FILTRO DE AR | AIR CLEANER | FILTRO DE AIRE | FILTRE À AIR |
| 55/.. | VOLANTE E CREMALHEIRA | FLYWHEEL AND STARTER RING | VOLANTE Y CORONA | VOLANT ET COURONNE |
| 56/69 | BOMBA D'ÁGUA | WATER PUMP | BOMBA DE ÁGUA | POMPE À EAU |
| | ACESSÓRIOS | ACCESSORIES | ACESSORIOS | ACCESSOIRES |
| 71/.. | SUPORTE DO MOTOR | ENGINE SUPPORTS | SOPORTES DEL MOTOR | SUPPORTS DU MOTEUR |
| 72/.. | SISTEMA DE ARREFECIMENTO | COOLING SYSTEM | SISTEMA DE ENFRIAMIENTO | SYSTEME REFROIDISSEMENT |
| 73/.. | CONTROLES | CONTROLS | CONTROLES | CONTRÔLES |
| 74/.. | SISTEMA DE ESCAPE | EXHAUST SYSTEM | SISTEMA DE ESCAPE | SYSTEME D'ÉCHAPPEMENT |
| 75/.. | SISTEMA DE COMBUSTÍVEL | FUEL SYSTEM | SISTEMA DE COMBUSTIBLE | SYSTEME D'COMBUSTIBLE |
| 76/.. | SISTEMA DE ADMISSÃO | INDUCTION SYSTEM | SISTEMA DE ADMISIÓN | SYSTEME D'ADMISSION |
| 77/.. | PAINEL DE INSTRUMENTOS | INSTRUMENT PANEL | TABLERO DE INSTRUMENTOS | TABLEAU DE BORD |
| 78/.. | SISTEMA ELÉTRICO | ELECTRICAL SYSTEM | SISTEMA ELÉCTRICO | SYSTEME ÉLECTRIQUE |
| | JOGO DE JUNTAS | JOINT SETS | JUEGOS DE JUNTAS | JEUX DE JOINTS |
| 00/42 | JOGO DE JUNTAS CABEÇOTE | TOP OVERHAUL | JUEGO DE JUNTAS CULATA | JEU DE JOINTS CULASSE |
| 00/17 | JOGO DE JUNTAS BLOCO | BOTTOM OVERHAUL | JUEGO DE JUNTAS BLOQUE | JEU DE JOINTS DU BLOC |
| (A) | → 292312S | (C) | → 336420T | |
| (B) | → 292313S | (D) | → 336421T | |

| GRUPOS | UNIDADE BÁSICA Nº 263 | BASIC UNIT Nº 263 | UNIDAD BÁSICA Nº 263 | UNITÉ DE BASE Nº 263 |
|--------|---|---------------------------------------|---|---|
| 11/36 | BLOCO DE CILINDROS | CYLINDER BLOCK | BLOQUE DE CILINDROS | BLOC-CYLINDRES |
| 12/16 | CAIXA DISTRIBUIÇÃO | TIMING CASE | CAJA DISTRIBUCIÓN | CARTER DISTRIBUTION |
| 13/13 | ÁRVORE DE MANIVELAS | CRANKSHAFT | CIGÜENAL | VILEBREQUIN |
| 14/27 | PISTÕES E BIELAS | PISTONS / CONNECT RODS | PISTONES Y BIELAS | PISTONS ET BIELLES |
| 15/21 | BOMBA ÓLEO LUBRIFICANTE | LUBRICATING OIL PUMP | BOMBA ACEITE LUBRIFICANTE | POMPE À HUILE LUBRIFIANTE |
| 17/32 | CABEÇOTE | CYLINDER HEAD | CULATA | CULASSE |
| 18/25 | VÁLVULAS/BALANCEIROS | VALVES / ROCKERSHAFT | VÁLVULAS / BALANCINES | SOUPAPES / LEVIERS |
| 20/17 | RETENTOR TRASEIRO DE ÓLEO | REAR OIL SEAL | SELLO TRASERO DE ACEITE | DÉFLECTEUR D'HUILE ARR. |
| 21/19 | ÁRVORE COMANDO VÁLVULAS | CAMSHAFT | ARBOL DE LEVAS | ARBRE À CAMES |
| 22/13 | ENGRENAGENS DISTRIBUIÇÃO | IDLER GEARS | ENGRENAJES DISTRIBUCIÓN | PIGNONS DISTRIBUTION |
| | COMPLEMENTOS | COMPLEMENTS | COMPLEMENTOS | COMPLÉMENTS |
| 31/114 | CARTER ÓLEO LUBRIFICANTE | LUBRICATING OIL SUMP | CARTER ACEITE LUBRIFICANTE | CARTER HUILE LUBRIFIANTE |
| 32/46 | POLIA ÁRVORE MANIVELAS | CRANKSHAFT PULLEY | POLEA DEL CIGÜENAL | POULIE DU VILEBREQUIN |
| 33/21 | FILTRO ÓLEO LUBRIFICANTE | LUBR. OIL FILTER | FILTRO ACEITE LUBRIFICANTE | FILTRE HUILE LUBRIFIANTE |
| 34/38 | TAMPA DO CABEÇOTE | CYLINDER HEAD COVER | TAPA DE VÁLVULAS | CACHE-CULBUTEURS |
| 35/.. | VENTILADOR | FAN | VENTILADOR | VENTILATEUR |
| 36/24 | TAMPA TRASEIRA CABEÇOTE | CYLINDER HEAD REAR COVER | TAPA TRASERA DE LA CULATA | CACHE-CULBUTEURS ARRIERE |
| 37/28 | TERMOSTATO E CARÇAÇA | THERMOSTAT AND HOUSING | TERMOSTATO Y CÁRTER | THERMOSTAT ET CARTER |
| 38/77 | COLETOR DE ADMISSÃO | INDUCTION MANIFOLD | MÚLTIPLE DE ADMISIÓN | COLLECTEUR D'ADMISSION |
| 39/78 | BOMBA INJETORA COMBUSTÍVEL | FUEL INJECTION PUMP | BOMBA INYECTORA COMBUSTIBLE | POMPE D'INJEC. / COMBUST. |
| 40/22 | SISTEMA AUXILIAR PARTIDA | COLD WEATHER STARTING AID | SIST. AUXILIAR DE ARRANQUE | THERMOSTART |
| 41/19 | COLETOR DE ESCAPE | EXHAUST MANIFOLD | MÚLTIPLE DE ESCAPE | COLLECTEUR D'ÉCHAPPEMENT |
| 42/94 | BOMBA ALIMENTADORA E FILTRO ÓLEO COMBUSTÍVEL | FUEL LIFT PUMP AND FUEL OIL FILTER | BOMBA DE ALIMENTACIÓN Y FILTROS ACEITE COMBUSTIBLE | POMPE D'ALIMENTATION ET FILTRE À HUILE COMBUSTIBLE |
| 43/16 | TOMADA P/ MANÔMETRO ÓLEO | OIL PRESS GAUGE FITTING | TOMA DE POTENCIA | PRISE P/ MANOMETRE D'HUILE |
| 44/128 | TOMADA POTÊNCIA | POWER TAKE-OFF | TOMA DE POTENCIA | PRISE DE PUISSANCE |
| 45/.. | CARÇAÇA DO VOLANTE | FLYWHEEL HOUSING | CARTER DEL VOLANTE | CARTER DU VOLANT |
| 46/26 | MOTOR DE PARTIDA | STARTER MOTOR | MOTOR DE ARRANQUE | DÉMARREUR |
| 47/18 | ACIONAMENTO DO TAQUÍMETRO | TACHOMETER DRIVE | MANDO DEL TAQUÍMETRO | COMMANDE DU COMPTE-TOURS |
| 48/62 | TUBO INJEÇÃO / INJETORES | FUEL INJECTION SYSTEM | EQUIPO DE INYECCIÓN | SYSTEME D'INJECTION |
| 49/.. | CONEXÃO ENTRADA D'ÁGUA | WATER INLET CONNECTION | CONEXIÓN ENTRADA D'ÁGUA | RACCORD D'ENTRÉE D'EAU |
| 50/.. | ALTERNADOR E CORREIA | ALTERNATOR AND BELT | ALTERNADOR Y CORREA | ALTERNATEUR ET COURROIE |
| 52/98 | ÍTEMS DE INSTALAÇÃO | FITTING ITEMS | PIEZAS DE INSTALACIÓN | ARTICLES D'INSTALLATION |
| 53/14 | RESPIRO DO MOTOR | ENGINEER BREATHER | RESPIRADERO DEL MOTOR | RENIFLARD DU MOTEUR |
| 54/.. | FILTRO DE AR | AIR CLEANER | FILTRO DE AIRE | FILTRE À AIR |
| 55/.. | VOLANTE E CREMALHEIRA | FLYWHEEL AND STARTER RING | VOLANTE Y CORONA | VOLANT ET COURONNE |
| 56/69 | BOMBA D'ÁGUA | WATER PUMP | BOMBA DE ÁGUA | POMPE À EAU |
| | ACESSÓRIOS | ACCESSORIES | ACESSORIOS | ACCESSOIRES |
| 71/.. | SUPORTE DO MOTOR | ENGINE SUPPORTS | SOPORTES DEL MOTOR | SUPPORTS DU MOTEUR |
| 72/.. | SISTEMA DE ARREFECIMENTO | COOLING SYSTEM | SISTEMA DE ENFRIAMIENTO | SYSTEME REFROIDISSEMENT |
| 73/.. | CONTROLES | CONTROLS | CONTROLES | CONTRÔLES |
| 74/.. | SISTEMA DE ESCAPE | EXHAUST SYSTEM | SISTEMA DE ESCAPE | SYSTEME D'ÉCHAPPEMENT |
| 75/.. | SISTEMA DE COMBUSTÍVEL | FUEL SYSTEM | SISTEMA DE COMBUSTIBLE | SYSTEME D'COMBUSTIBLE |
| 76/.. | SISTEMA DE ADMISSÃO | INDUCTION SYSTEM | SISTEMA DE ADMISIÓN | SYSTEME D'ADMISSION |
| 77/.. | PAINEL DE INSTRUMENTOS | INSTRUMENT PANEL | TABLERO DE INSTRUMENTOS | TABLEAU DE BORD |
| 78/.. | SISTEMA ELÉTRICO | ELECTRICAL SYSTEM | SISTEMA ELÉCTRICO | SYSTEME ÉLECTRIQUE |
| | JOGO DE JUNTAS | JOINT SETS | JUEGOS DE JUNTAS | JEUX DE JOINTS |
| 00/42 | JOGO DE JUNTAS CABEÇOTE | TOP OVERHAUL | JUEGO DE JUNTAS CULATA | JEU DE JOINTS CULASSE |
| 00/17 | JOGO DE JUNTAS BLOCO | BOTTOM OVERHAUL | JUEGO DE JUNTAS BLOQUE | JEU DE JOINTS DU BLOC |

**ÍNDICE DE GRUPOS
GROUP INDEX
INDICE DE GRUPOS
INDEX DE GROUPES**

**MOTOR 4.236 (I)
TRATOR INDUSTRIAL
MF 86**

**LISTA DE PEÇAS
PART LIST
LISTA DE PIEZAS
LISTE DE PIÉCES**

8788

| GRUPOS | UNIDADE BÁSICA Nº 215 | BASIC UNIT Nº 215 | UNIDAD BÁSICA Nº 215 | UNITÉ DE BASE Nº 215 |
|-----------------------|---|---------------------------------------|---|---|
| 11/33 | BLOCO DE CILINDROS | CYLINDER BLOCK | BLOQUE DE CILINDROS | BLOC-CYLINDRES |
| 12/16 | CAIXA DISTRIBUIÇÃO | TIMING CASE | CAJA DISTRIBUCIÓN | CARTER DISTRIBUTION |
| 13/13 | ÁRVORE DE MANIVELAS | CRANKSHAFT | CIGUENAL | VILEBREQUIN |
| 14/35 | PISTÕES E BIELAS | PISTONS / CONNECT RODS | PISTONES Y BIELAS | PISTONS ET BIELLES |
| 15/17 | BOMBA ÓLEO LUBRIFICANTE | LUBRICATING OIL PUMP | BOMBA ACEITE LUBRICANTE | POMPE À HUILE LUBRIFIANTE |
| 17/32 | CABEÇOTE | CYLINDER HEAD | CULATA | CULASSE |
| 18/25 | VÁLVULAS / BALANCEIROS (A) | VALVES / ROCKERSHAFT (A) | VÁLVULAS / BALANCINES (A) | SOUPAPES / LEVIERS (A) |
| 18/26 | VÁLVULAS / BALANCEIROS (B) | VALVES / ROCKERSHAFT (B) | VÁLVULAS / BALANCINES (B) | SOUPAPES / LEVIERS (B) |
| 20/17 | RETENTOR TRASEIRO DE ÓLEO | REAR OIL SEAL | SELLO TRASERO DE ACEITE | DÉFLECTEUR D'HUILE ARR. |
| 21/09 | ÁRVORE COMANDO VÁLVULAS | CAMSHAFT | ARBOL DE LEVAS | ARBRE À CAMES |
| 22/08 | ENGRENAGENS DISTRIBUIÇÃO | IDLER GEARS | ENGRENAJES DISTRIBUCIÓN | PIGNONS DISTRIBUTION |
| COMPLEMENTOS | | | | |
| 31/137 | CARTER ÓLEO LUBRIFICANTE | LUBRICATING OIL SUMP | CARTER ACEITE LUBRICANTE | CARTER HUILE LUBRIFIANTE |
| 32/46 | POLIA ÁRVORE MANIVELAS | CRANKSHAFT PULLEY | POLEA DEL CIGÜENAL | POULIE DU VILEBREQUIN |
| 33/21 | FILTRO ÓLEO LUBRIFICANTE | LUBR. OIL FILTER | FILTRO ACEITE LUBRIFICANTE | FILTRE HUILE LUBRIFIANTE |
| 34/38 | TAMPA DO CABEÇOTE | CYLINDER HEAD COVER | TAPA DE VÁLVULAS | CACHE-CULBUTEURS |
| 35/.. | VENTILADOR | FAN | VENTILADOR | VENTILATEUR |
| 36/24 | TAMPA TRASEIRA CABEÇOTE | CYLINDER HEAD REAR COVER | TAPA TRASERA DE LA CULATA | CACHE-CULBUTEURS ARRIERE |
| 37/28 | TERMOSTATO E CARÇAÇA | THERMOSTAT AND HOUSING | TERMOSTATO Y CÁRTER | THERMOSTAT ET CARTER |
| 38/77 | COLETOR DE ADMISSÃO | INDUCTION MANIFOLD | MÚLTIPLE DE ADMISIÓN | COLLECTEUR D'ADMISSION |
| 39/132 | BOMBA INJETORA COMBUSTÍVEL | FUEL INJECTION PUMP | BOMBA INYECTORA COMBUSTIBLE | POMPE D'INJEC. / COMBUST. |
| 40/01 | SISTEMA AUXILIAR PARTIDA | COLD WEATHER STARTING AID | SIST. AUXILIAR DE ARRANQUE | THERMOSTART |
| 41/19 | COLETOR DE ESCAPE | EXHAUST MANIFOLD | MÚLTIPLE DE ESCAPE | COLLECTEUR D'ÉCHAPPEMENT |
| 42/94 | BOMBA ALIMENTADORA E FILTRO ÓLEO COMBUSTÍVEL | FUEL LIFT PUMP AND FUEL OIL FILTER | BOMBA DE ALIMENTACIÓN Y FILTROS ACEITE COMBUSTIBLE | POMPE D'ALIMENTATION ET FILTRE À HUILE COMBUSTIBLE |
| 43/16 | TOMADA P/ MANÔMETRO ÓLEO | OIL PRESS GAUGE FITTING | TOMA P/ MANÓMETRO ACEITE | PRISE P/ MANOMETRE D'HUILE |
| 44/128 | TOMADA POTÊNCIA | POWER TAKE-OFF | TOMA DE POTENCIA | PRISE DE PUISSANCE |
| 45/.. | CARÇAÇA DO VOLANTE | FLYWHEEL HOUSING | CARTER DEL VOLANTE | CARTER DU VOLANT |
| 46/26 | MOTOR DE PARTIDA | STARTER MOTOR | MOTOR DE ARRANQUE | DÉMAREUR |
| 47/18 | ACIONAMENTO DO TAQUÍMETRO | TACHOMETER DRIVE | MANDO DEL TAQUÍMETRO | COMMANDE DU COMPTE-TOURS |
| 48/90 | TUBO INJEÇÃO / INJETORES | FUEL INJECTION SYSTEM | EQUIPO DE INYECCIÓN | SYSTEME D'INJECTION |
| 49/.. | CONEXÃO ENTRADA D'ÁGUA | WATER INLET CONNECTION | CONEXIÓN ENTRADA D'ÁGUA | RACCORD D'ENTRÉE D'EAU |
| 50/.. | ALTERNADOR E CORREIA | ALTERNATOR AND BELT | ALTERNADOR Y CORREA | ALTERNATEUR ET COURROIE |
| 52/98 | ÍTENS DE INSTALAÇÃO | FITTING ITEMS | PIEZAS DE INSTALACIÓN | ARTICLES D'INSTALLATION |
| 53/14 | RESPIRO DO MOTOR | ENGINE BREATHER | RESPIRADERO DEL MOTOR | RENIFLARD DU MOTEUR |
| 54/.. | FILTRO DE AR | AIR CLEANER | FILTRO DE AIRE | FILTRE À AIR |
| 55/.. | VOLANTE E CREMALHEIRA | FLYWHEEL AND STARTER RING | VOLANTE Y CORONA | VOLANT ET COURONNE |
| 56/69 | BOMBA D'ÁGUA | WATER PUMP | BOMBA DE ÁGUA | POMPE À EAU |
| ACESSÓRIOS | | | | |
| 71/.. | SUPORTE DO MOTOR | ENGINE SUPPORTS | SOPORTES DEL MOTOR | SUPPORTS DU MOTEUR |
| 72/.. | SISTEMA DE ARREFECIMENTO | COOLING SYSTEM | SISTEMA DE ENFRIAMIENTO | SYSTEME REFROIDISSEMENT |
| 73/19 | CONTROLES | CONTROLS | CONTROLES | CONTRÔLES |
| 74/.. | SISTEMA DE ESCAPE | EXHAUST SYSTEM | SISTEMA DE ESCAPE | SYSTEME D'ÉCHAPPEMENT |
| 75/.. | SISTEMA DE COMBUSTÍVEL | FUEL SYSTEM | SISTEMA DE COMBUSTIBLE | SYSTEME D'COMBUSTIBLE |
| 76/.. | SISTEMA DE ADMISSÃO | INDUCTION SYSTEM | SISTEMA DE ADMISIÓN | SYSTEME D'ADMISSION |
| 77/.. | PAINEL DE INSTRUMENTOS | INSTRUMENT PANEL | TABLERO DE INSTRUMENTOS | TABLEAU DE BORD |
| 78/.. | SISTEMA ELÉTRICO | ELECTRICAL SYSTEM | SISTEMA ELÉCTRICO | SYSTEME ÉLECTRIQUE |
| JOGO DE JUNTAS | | | | |
| 00/42 | JOGO DE JUNTAS CABEÇOTE | TOP OVERHAUL | JUEGO DE JUNTAS CULATA | JEU DE JOINTS CULASSE |
| 00/17 | JOGO DE JUNTAS BLOCO | BOTTOM OVERHAUL | JUEGO DE JUNTAS BLOQUE | JEU DE JOINTS DU BLOC |
| 00/55 | JOGO DE JUNTAS BLOCO (C) | BOTTOM OVERHAUL (C) | JUEGO DE JUNTAS BLOQUE (C) | JEU DE JOINTS DU BLOC (C) |
| (A) | ➔ 407693V | (C) | ➔ 407700V | |
| (B) | ➔ 407694V | | | |

**ÍNDICE DE GRUPOS
GROUP INDEX
INDICE DE GRUPOS
INDEX DE GROUPES**

**MOTOR 4.236 (A)
TRATOR AGRÍCOLA
MF 265
"DERATED"**

**LISTA DE PEÇAS
PART LIST
LISTA DE PIEZAS
LISTE DE PIÉCES**

8820

| GRUPOS | UNIDADE BÁSICA Nº 234 | BASIC UNIT Nº 234 | UNIDAD BÁSICA Nº 234 | UNITÉ DE BASE Nº 234 |
|-----------------------|---|---------------------------------------|---|---|
| 11/33 | BLOCO DE CILINDROS | CYLINDER BLOCK | BLOQUE DE CILINDROS | BLOC-CYLINDRES |
| 12/16 | CAIXA DISTRIBUIÇÃO | TIMING CASE | CAJA DISTRIBUCIÓN | CARTER DISTRIBUTION |
| 13/13 | ÁRVORE DE MANIVELAS | CRANKSHAFT | CIGÜENAL | VILEBREQUIN |
| 14/35 | PISTÕES E BIELAS | PISTONS / CONNECT RODS | PISTONES Y BIELAS | PISTONS ET BIELLES |
| 15/17 | BOMBA ÓLEO LUBRIFICANTE | LUBRICATING OIL PUMP | BOMBA ACEITE LUBRIFICANTE | POMPE À HUILE LUBRIFIANTE |
| 17/32 | CABEÇOTE | CYLINDER HEAD | CULATA | CULASSE |
| 18/25 | VÁLVULAS/BALANCEIROS (A) | VALVES / ROCKERSHAFT (A) | VÁLVULAS / BALANCINES (A) | SOUPAPES / LEVIERS (A) |
| 18/26 | VÁLVULAS BALANCEIROS (B) | VALVES / ROCKERSHAFT (B) | VÁLVULAS / BALANCINES (B) | SOUPAPES / LEVIERS (B) |
| 20/17 | RETENTOR TRASEIRO DE ÓLEO | REAR OIL SEAL | SELLO TRASERO DE ACEITE | DÉFLECTEUR D'HUILE ARR. |
| 21/19 | ÁRVORE COMANDO VÁLVULAS | CAMSHAFT | ARBOL DE LEVAS | ARBRE À CAMES |
| 22/13 | ENGRENAGENS DISTRIBUIÇÃO | IDLER GEARS | ENGRENAJES DISTRIBUCIÓN | PIGNONS DISTRIBUTION |
| COMPLEMENTOS | | | | |
| 31/144 | CARTER ÓLEO LUBRIFICANTE | LUBRICATING OIL SUMP | CARTER ACEITE LUBRIFICANTE | CARTER HUILE LUBRIFIANTE |
| 32/46 | POLIA ÁRVORE MANIVELAS | CRANKSHAFT PULLEY | POLEA DEL CIGÜENAL | POULIE DU VILEBREQUIN |
| 33/21 | FILTRO ÓLEO LUBRIFICANTE | LUBR. OIL FILTER | FILTRO ACEITE LUBRIFICANTE | FILTRE HUILE LUBRIFIANTE |
| 34/38 | TAMPA DO CABEÇOTE | CYLINDER HEAD COVER | TAPA DE VÁLVULAS | CACHE-CULBUTEURS |
| 35/.. | VENTILADOR | FAN | VENTILADOR | VENTILATEUR |
| 36/24 | TAMPA TRASEIRA CABEÇOTE | CYLINDER HEAD REAR COVER | TAPA TRASERA DE LA CULATA | CACHE-CULBUTEURS ARRIERE |
| 37/28 | TERMOSTATO E CARÇAÇA | THERMOSTAT AND HOUSING | TERMOSTATO Y CÁRTER | THERMOSTAT ET CARTER |
| 38/77 | COLETOR DE ADMISSÃO | INDUCTION MANIFOLD | MÚLTIPLE DE ADMISIÓN | COLLECTEUR D'ADMISSION |
| 39/175 | BOMBA INJETORA COMBUSTÍVEL | FUEL INJECTION PUMP | BOMBA INYECTORA COMBUSTIBLE | POMPE D'INJEC. / COMBUST. |
| 40/01 | SISTEMA AUXILIAR PARTIDA | COLD WEATHER STARTING AID | SIST. AUXILIAR DE ARRANQUE | THERMOSTART |
| 41/19 | COLETOR DE ESCAPE | EXHAUST MANIFOLD | MÚLTIPLE DE ESCAPE | COLLECTEUR D'ÉCHAPPEMENT |
| 42/94 | BOMBA ALIMENTADORA E FILTRO ÓLEO COMBUSTÍVEL | FUEL LIFT PUMP AND FUEL OIL FILTER | BOMBA DE ALIMENTACIÓN Y FILTROS ACEITE COMBUSTIBLE | POMPE D'ALIMENTATION ET FILTRE À HUILE COMBUSTIBLE |
| 43/56 | TOMADA P/ MANÓMETRO ÓLEO | OIL PRESS GAUGE FITTING | TOMA P/ MANÓMETRO ACEITE | PRISE P/ MANOMETRE D'HUILE |
| 44/128 | TOMADA POTÊNCIA | POWER TAKE-OFF | TOMA DE POTENCIA | PRISE DE PUISSANCE |
| 45/.. | CARÇAÇA DO VOLANTE | FLYWHEEL HOUSING | CARTER DEL VOLANTE | CARTER DU VOLANT |
| 46/26 | MOTOR DE PARTIDA | STARTER MOTOR | MOTOR DE ARRANQUE | DÉMARREUR |
| 47/18 | ACIONAMENTO DO TAQUÍMETRO | TACHOMETER DRIVE | MANDO DEL TAQUÍMETRO | COMMANDE DU COMPTE-TOURS |
| 48/96 | TUBO INJEÇÃO / INJETORES | FUEL INJECTION SYSTEM | EQUIPO DE INYECCIÓN | SYSTEME D'INJECTION |
| 49/.. | CONEXÃO ENTRADA D'ÁGUA | WATER INLET CONNECTION | CONEXIÓN ENTRADA D'ÁGUA | RACCORD D'ENTRÉE D'EAU |
| 50/.. | ALTERNADOR E CORREIA | ALTERNATOR AND BELT | ALTERNADOR Y CORREA | ALTERNATEUR ET COURROIE |
| 52/98 | ÍTEMS DE INSTALAÇÃO | FITTING ITEMS | PIEZAS DE INSTALACIÓN | ARTICLES D'INSTALLATION |
| 53/14 | RESPIRO DO MOTOR | ENGINEER BREATHER | RESPIRADERO DEL MOTOR | RENIFLARD DU MOTEUR |
| 54/.. | FILTRO DE AR | AIR CLEANER | FILTRO DE AIRE | FILTRE À AIR |
| 55/.. | VOLANTE E CREMALHEIRA | FLYWHEEL AND STARTER RING | VOLANTE Y CORONA | VOLANT ET COURONNE |
| 56/69 | BOMBA D'ÁGUA | WATER PUMP | BOMBA DE ÁGUA | POMPE À EAU |
| ACESSÓRIOS | | | | |
| 71/.. | SUPORTE DO MOTOR | ENGINE SUPPORTS | SOPORTES DEL MOTOR | SUPPORTS DU MOTEUR |
| 72/.. | SISTEMA DE ARREFECIMENTO | COOLING SYSTEM | SISTEMA DE ENFRIAMIENTO | SYSTEME REFROIDISSEMENT |
| 73/19 | CONTOLES | CONTROLS | CONTOLES | CONTRÔLES |
| 74/.. | SISTEMA DE ESCAPE | EXHAUST SYSTEM | SISTEMA DE ESCAPE | SYSTEME D'ÉCHAPPEMENT |
| 75/19 | SISTEMA DE COMBUSTÍVEL | FUEL SYSTEM | SISTEMA DE COMBUSTIBLE | SYSTEME D'COMBUSTIBLE |
| 76/.. | SISTEMA DE ADMISSÃO | INDUCTION SYSTEM | SISTEMA DE ADMISIÓN | SYSTEME D'ADMISSION |
| 77/.. | PAINEL DE INSTRUMENTOS | INSTRUMENT PANEL | TABLERO DE INSTRUMENTOS | TABLEAU DE BORD |
| 78/.. | SISTEMA ELÉTRICO | ELECTRICAL SYSTEM | SISTEMA ELÉCTRICO | SYSTEME ÉLECTRIQUE |
| JOGO DE JUNTAS | | | | |
| 00/42 | JOGO DE JUNTAS CABEÇOTE | TOP OVERHAUL | JUEGO DE JUNTAS CULATA | JEU DE JOINTS CULASSE |
| 00/17 | JOGO DE JUNTAS BLOCO | BOTTOM OVERHAUL | JUEGO DE JUNTAS BLOQUE | JEU DE JOINTS DU BLOC |
| 00/55 | JOGO DE JUNTAS BLOCO (C) | BOTTOM OVERHAUL (C) | JUEGO DE JUNTAS BLOQUE (C) | JEU DE JOINTS DU BLOC (C) |
| (A) | → 407698V | | | |
| (B) | → 407699V | | | |
| (C) | → 407700V | | | |

**ÍNDICE DE GRUPOS
GROUP INDEX
INDICE DE GRUPOS
INDEX DE GROUPES**

**MOTOR 4.248
RETROESCAVADEIRA
MF 96**

**LISTA DE PEÇAS
PART LIST
LISTA DE PIEZAS
LISTE DE PIÉCES**

8890

| GRUPOS | UNIDADE BÁSICA Nº 301 | BASIC UNIT Nº 301 | UNIDAD BÁSICA Nº 301 | UNITÉ DE BASE Nº 301 |
|-----------------------|---|---------------------------------------|---|---|
| 11/36 | BLOCO DE CILINDROS | CYLINDER BLOCK | BLOQUE DE CILINDROS | BLOC-CYLINDRES |
| 12/16 | CAIXA DISTRIBUIÇÃO | TIMING CASE | CAJA DISTRIBUCIÓN | CARTER DISTRIBUTION |
| 13/13 | ÁRVORE DE MANIVELAS | CRANKSHAFT | CIGUENAL | VILEBREQUIN |
| 14/27 | PISTÕES E BIELAS | PISTONS / CONNECT RODS | PISTONES Y BIELAS | PISTONS ET BIELLES |
| 15/17 | BOMBA ÓLEO LUBRIFICANTE | LUBRICATING OIL PUMP | BOMBA ACEITE LUBRICANTE | POMPE À HUILE LUBRIFIANTE |
| 17/35 | CABEÇOTE | CYLINDER HEAD | CULATA | CULASSE |
| 18/26 | VÁLVULAS/BALANCEIROS | VALVES / ROCKERSHAFT | VÁLVULAS / BALANCINES | SOUPAPES / LEVIERS |
| 20/17 | RETENTOR TRASEIRO DE ÓLEO | REAR OIL SEAL | SELLO TRASERO DE ACEITE | DÉFLECTEUR D'HUILE ARR. |
| 21/19 | ÁRVORE COMANDO VÁLVULAS | CAMSHAFT | ARBOL DE LEVAS | ARBRE À CAMES |
| 22/13 | ENGRENAGENS DISTRIBUIÇÃO | IDLER GEARS | ENGRENAJES DISTRIBUCIÓN | PIGNONS DISTRIBUTION |
| COMPLEMENTOS | | | | |
| 31/144 | CARTER ÓLEO LUBRIFICANTE | LUBRICATING OIL SUMP | CARTER ACEITE LUBRICANTE | CARTER HUILE LUBRIFIANTE |
| 32/46 | POLIA ÁRVORE MANIVELAS | CRANKSHAFT PULLEY | POLEA DEL CIGÜENAL | POULIE DU VILEBREQUIN |
| 33/21 | FILTRO ÓLEO LUBRIFICANTE | LUBR. OIL FILTER | FILTRO ACEITE LUBRIFICANTE | FILTRE HUILE LUBRIFIANTE |
| 34/38 | TAMPA DO CABEÇOTE | CYLINDER HEAD COVER | TAPA DE VÁLVULAS | CACHE-CULBUTEURS |
| 35/44 | VENTILADOR | FAN | VENTILADOR | VENTILATEUR |
| 36/75 | TAMPA TRASEIRA CABEÇOTE | CYLINDER HEAD REAR COVER | TAPA TRASERA DE LA CULATA | CACHE-CULBUTEURS ARRIERE |
| 37/28 | TERMOSTATO E CARÇAÇA | THERMOSTAT AND HOUSING | TERMOSTATO Y CÁRTER | THERMOSTAT ET CARTER |
| 38/45 | COLETOR DE ADMISSÃO | INDUCTION MANIFOLD | MÚLTIPLE DE ADMISIÓN | COLLECTEUR D'ADMISSION |
| 39/199 | BOMBA INJETORA COMBUSTÍVEL | FUEL INJECTION PUMP | BOMBA INYECTORA COMBUSTIBLE | POMPE D'INJEC. / COMBUST. |
| 40/01 | SISTEMA AUXILIAR PARTIDA | COLD WEATHER STARTING AID | SIST. AUXILIAR DE ARRANQUE | THERMOSTART |
| 41/19 | COLETOR DE ESCAPE | EXHAUST MANIFOLD | MÚLTIPLE DE ESCAPE | COLLECTEUR D'ÉCHAPPEMENT |
| 42/211 | BOMBA ALIMENTADORA E FILTRO ÓLEO COMBUSTÍVEL | FUEL LIFT PUMP AND FUEL OIL FILTER | BOMBA DE ALIMENTACIÓN Y FILTROS ACEITE COMBUSTIBLE | POMPE D'ALIMENTATION ET FILTRE À HUILE COMBUSTIBLE |
| 43/.. | TOMADA P/ MANÔMETRO ÓLEO | OIL PRESS GAUGE FITTING | TOMA P/ MANÓMETRO ACEITE | PRISE P/ MANOMETRE D'HUILE |
| 44/128 | TOMADA POTÊNCIA | POWER TAKE-OFF | TOMA DE POTENCIA | PRISE DE PUISSANCE |
| 45/.. | CARÇAÇA DO VOLANTE | FLYWHEEL HOUSING | CARTER DEL VOLANTE | CARTER DU VOLANT |
| 46/26 | MOTOR DE PARTIDA | STARTER MOTOR | MOTOR DE ARRANQUE | DÉMARREUR |
| 47/18 | ACIONAMENTO DO TAQUÍMETRO | TACHOMETER DRIVE | MANDO DEL TAQUÍMETRO | COMMANDE DU COMPTE-TOURS |
| 48/95 | TUBO INJEÇÃO / INJETORES | FUEL INJECTION SYSTEM | EQUIPO DE INYECCIÓN | SYSTEME D'INJECTION |
| 49/.. | CONEXÃO ENTRADA D'ÁGUA | WATER INLET CONNECTION | CONEXIÓN ENTRADA D'ÁGUA | RACCORD D'ENTRÉE D'EAU |
| 50/.. | ALTERNADOR E CORREIA | ALTERNATOR AND BELT | ALTERNADOR Y CORREA | ALTERNATEUR ET COURROIE |
| 52/292 | ÍTEMS DE INSTALAÇÃO | FITTING ITEMS | PIEZAS DE INSTALACIÓN | ARTICLES D'INSTALLATION |
| 53/14 | RESPIRO DO MOTOR | ENGINEER BREATHER | RESPIRADERO DEL MOTOR | RENIFLARD DU MOTEUR |
| 54/.. | FILTRO DE AR | AIR CLEANER | FILTRO DE AIRE | FILTRE À AIR |
| 55/.. | VOLANTE E CREMALHEIRA | FLYWHEEL AND STARTER RING | VOLANTE Y CORONA | VOLANT ET COURONNE |
| 56/107 | BOMBA D'ÁGUA | WATER PUMP | BOMBA DE ÁGUA | POMPE À EAU |
| ACESSÓRIOS | | | | |
| 71/.. | SUPORTE DO MOTOR | ENGINE SUPPORTS | SÓPORTES DEL MOTOR | SUPPORTS DU MOTEUR |
| 72/.. | SISTEMA DE ARREFECIMENTO | COOLING SYSTEM | SISTEMA DE ENFRIAMIENTO | SYSTEME REFROIDISSEMENT |
| 73/19 | CONTROLES | CONTROLS | CONTROLES | CONTRÔLES |
| 74/.. | SISTEMA DE ESCAPE | EXHAUST SYSTEM | SISTEMA DE ESCAPE | SYSTEME D'ÉCHAPPEMENT |
| 75/.. | SISTEMA DE COMBUSTÍVEL | FUEL SYSTEM | SISTEMA DE COMBUSTIBLE | SYSTEME D'COMBUSTIBLE |
| 76/05 | SISTEMA DE ADMISSÃO | INDUCTION SYSTEM | SISTEMA DE ADMISIÓN | SYSTEME D'ADMISSION |
| 77/.. | PAINEL DE INSTRUMENTOS | INSTRUMENT PANEL | TABLERO DE INSTRUMENTOS | TABLEAU DE BORD |
| 78/.. | SISTEMA ELÉTRICO | ELECTRICAL SYSTEM | SISTEMA ELÉCTRICO | SYSTEME ÉLECTRIQUE |
| JOGO DE JUNTAS | | | | |
| 00/42 | JOGO DE JUNTAS CABEÇOTE | TOP OVERHAUL | JUEGO DE JUNTAS CULATA | JEU DE JOINTS CULASSE |
| 00/55 | JOGO DE JUNTAS BLOCO | BOTTOM OVERHAUL | JUEGO DE JUNTAS BLOQUE | JEU DE JOINTS DU BLOC |

**ÍNDICE DE GRUPOS
GROUP INDEX
INDICE DE GRUPOS
INDEX DE GROUPES**

**MOTOR 4.236 (I)
RETROSCAVADEIRA
MAXION 750**

**LISTA DE PEÇAS
PART LIST
LISTA DE PIEZAS
LISTE DE PIÉCES**

8854

| GRUPOS | UNIDADE BÁSICA Nº 300 | BASIC UNIT Nº 300 | UNIDAD BÁSICA Nº 300 | UNITÉ DE BASE Nº 300 |
|-----------------------|---|---|---|--|
| 11/33 | BLOCO DE CILINDROS | CYLINDER BLOCK | BLOQUE DE CILINDROS | BLOC-CYLINDRES |
| 12/16 | CAIXA DISTRIBUIÇÃO | TIMING CASE | CAJA DISTRIBUCIÓN | CARTER DISTRIBUTION |
| 13/13 | ÁRVORE DE MANIVELAS | CRANKSHAFT | CIGÜENAL | VILEBREQUIN |
| 14/35 | PISTÕES E BIELAS | PISTONS / CONNECT RODS | PISTONES Y BIELAS | PISTONS ET BIELLES |
| 15/17 | BOMBA ÓLEO LUBRIFICANTE | LUBRICATING OIL PUMP | BOMBA ACEITE LUBRIFICANTE | POMPE À HUILE LUBRIFIANTE |
| 17/32 | CABEÇOTE | CYLINDER HEAD | CULATA | CULASSE |
| 18/25 | VÁLVULAS / BALANCEIROS (A) | VALVES / ROCKERSHAFT (A) | VÁLVULAS / BALANCINES (A) | SOUPAPES / LEVIERS (A) |
| 18/26 | VÁLVULAS / BALANCEIROS (B) | VALVES / ROCKERSHAFT (B) | VÁLVULAS / BALANCINES (B) | SOUPAPES / LEVIERS (B) |
| 20/17 | RETENTOR TRASEIRO DE ÓLEO | REAR OIL SEAL | SELLO TRASERO DE ACEITE | DÉFLECTEUR D'HUILE ARR. |
| 21/19 | ÁRVORE COMANDO VÁLVULAS | CAMSHAFT | ARBOL DE LEVAS | ARBRE À CAMES |
| 22/13 | ENGRENAGENS DISTRIBUIÇÃO | IDLER GEARS | ENGRENAJES DISTRIBUCIÓN | PIGNONS DISTRIBUTION |
| COMPLEMENTOS | | | | |
| 31/144 | CARTER ÓLEO LUBRIFICANTE | LUBRICATING OIL SUMP | CARTER ACEITE LUBRIFICANTE | CARTER HUILE LUBRIFIANTE |
| 32/46 | POLIA ÁRVORE MANIVELAS | CRANKSHAFT PULLEY | POLEA DEL CIGÜENAL | POULIE DU VILEBREQUIN |
| 33/116 | FILTRO ÓLEO LUBRIFICANTE | LUBR. OIL FILTER | FILTRO ACEITE LUBRIFICANTE | FILTRE HUILE LUBRIFIANTE |
| 34/38 | TAMPA DO CABEÇOTE | CYLINDER HEAD COVER | TAPA DE VÁLVULAS | CACHE-CULBUTEURS |
| 35/.. | VENTILADOR | FAN | VENTILADOR | VENTILATEUR |
| 36/75 | TAMPA TRASEIRA CABEÇOTE | CYLINDER HEAD REAR COVER | TAPA TRASERA DE LA CULATA | CACHE-CULBUTEURS ARRIERE |
| 37/77 | TERMOSTATO E CARÇAÇA | THERMOSTAT AND HOUSING | TERMOSTATO Y CÁRTER | THERMOSTAT ET CARTER |
| 38/101 | COLETOR DE ADMISSÃO | INDUCTION MANIFOLD | MÚLTIPLE DE ADMISIÓN | COLLECTEUR D'ADMISSION |
| 39/186 | BOMBA INJETORA COMBUSTÍVEL | FUEL INJECTION PUMP | BOMBA INYECTORA COMBUSTIBLE | POMPE D'INJEC. / COMBUST. |
| 40/01 | SISTEMA AUXILIAR PARTIDA (C) | COLD WEATHER START. AID (C) | SIST. AUXILIAR DE ARRANQUE (C) | THERMOSTART (C) |
| 40/111 | SISTEMA AUXILIAR PARTIDA (D) | COLD WEATHER START. AID (D) | SIST. AUXILIAR DE ARRANQUE (D) | THERMOSTART (D) |
| 41/54 | COLETOR DE ESCAPE | EXHAUST MANIFOLD | MÚLTIPLE DE ESCAPE | COLLECTEUR D'ÉCHAPPEMENT |
| 42/177 | BOMBA ALIMENTADORA E FILTRO ÓLEO COMBUSTÍVEL (C) | FUEL LIFT PUMP AND FUEL OIL FILTER (C) | BOMBA DE ALIMENTACIÓN Y FILTROS ACEITE COMBUSTIBLE (C) | POMPE D'ALIMENTATION ET FILTRE À HUILE COMBUSTIB. (C) |
| 42/197 | BOMBA ALIMENTADORA E FILTRO ÓLEO COMBUSTÍVEL (D) | FUEL LIFT PUMP AND FUEL OIL FILTER (D) | BOMBA DE ALIMENTACIÓN Y FILTROS ACEITE COMBUSTIBLE (D) | POMPE D'ALIMENTATION ET FILTRE À HUILE COMBUSTIB. (D) |
| 43/56 | TOMADA P/ MANÓMETRO ÓLEO | OIL PRESS GAUGE FITTING | TOMA P/ MANÓMETRO ACEITE | PRISE P/ MANOMETRE D'HUILE |
| 44/128 | TOMADA POTÊNCIA | POWER TAKE-OFF | TOMA DE POTENCIA | PRISE DE PUISSANCE |
| 45/.. | CARÇAÇA DO VOLANTE | FLYWHEEL HOUSING | CARTER DEL VOLANTE | CARTER DU VOLANT |
| 46/26 | MOTOR DE PARTIDA | STARTER MOTOR | MOTOR DE ARRANQUE | DÉMARREUR |
| 47/18 | ACIONAMENTO DO TAQUÍMETRO | TACHOMETER DRIVE | MANDO DEL TAQUÍMETRO | COMMANDE DU COMPTE-TOURS |
| 48/80 | TUBO INJEÇÃO / INJETORES (E) | FUEL INJECTION SYSTEM (E) | EQUIPO DE INYECCIÓN (E) | SYSTEME D'INJECTION (E) |
| 48/118 | TUBO INJEÇÃO / INJETORES (F) | FUEL INJECTION SYSTEM (F) | EQUIPO DE INYECCIÓN (F) | SYSTEME D'INJECTION (F) |
| 49/15 | CONEXÃO ENTRADA D'ÁGUA | WATER INLET CONNECTION | CONEXIÓN ENTRADA D'ÁGUA | RACCORD D'ENTRÉE D'EAU |
| 50/.. | ALTERNADOR E CORREIA | ALTERNATOR AND BELT | ALTERNADOR Y CORREA | ALTERNATEUR ET COURROIE |
| 52/292 | ÍTENS DE INSTALAÇÃO | FITTING ITEMS | PIEZAS DE INSTALACIÓN | ARTICLES D'INSTALLATION |
| 53/14 | RESPIRO DO MOTOR | ENGINE BREATHER | RESPIRADERO DEL MOTOR | RENIFLARD DU MOTEUR |
| 54/.. | FILTRO DE AR | AIR CLEANER | FILTRO DE AIRE | FILTRE À AIR |
| 55/.. | VOLANTE E CREMALHEIRA | FLYWHEEL AND STARTER RING | VOLANTE Y CORONA | VOLANT ET COURONNE |
| 56/78 | BOMBA D'ÁGUA | WATER PUMP | BOMBA DE ÁGUA | POMPE À EAU |
| ACESSÓRIOS | | | | |
| 71/.. | SUPORTE DO MOTOR | ENGINE SUPPORTS | SOPORTES DEL MOTOR | SUPPORTS DU MOTEUR |
| 72/.. | SISTEMA DE ARREFECIMENTO | COOLING SYSTEM | SISTEMA DE ENFRIAMIENTO | SYSTEME REFROIDISSEMENT |
| 73/.. | CONTROLES | CONTROLS | CONTROLES | CONTRÔLES |
| 74/36 | SISTEMA DE ESCAPE | EXHAUST SYSTEM | SISTEMA DE ESCAPE | SYSTEME D'ÉCHAPPEMENT |
| 75/122 | SISTEMA DE COMBUSTÍVEL | FUEL SYSTEM | SISTEMA DE COMBUSTIBLE | SYSTEME D'COMBUSTIBLE |
| 76/.. | SISTEMA DE ADMISSÃO | INDUCTION SYSTEM | SISTEMA DE ADMISIÓN | SYSTEME D'ADMISSION |
| 77/.. | PAINEL DE INSTRUMENTOS | INSTRUMENT PANEL | TABLERO DE INSTRUMENTOS | TABLEAU DE BORD |
| 78/.. | SISTEMA ELÉTRICO | ELECTRICAL SYSTEM | SISTEMA ELÉCTRICO | SYSTEME ÉLECTRIQUE |
| JOGO DE JUNTAS | | | | |
| 00/42 | JOGO DE JUNTAS CABEÇOTE | TOP OVERHAUL | JUEGO DE JUNTAS CULATA | JEU DE JOINTS CULASSE |
| 00/27 | JOGO DE JUNTAS BLOCO | BOTTOM OVERHAUL | JUEGO DE JUNTAS BLOQUE | JEU DE JOINTS DU BLOC |
| 00/60 | JOGO DE JUNTAS BLOCO (G) | BOTTOM OVERHAUL (G) | JUEGO DE JUNTAS BLOQUE (G) | JEU DE JOINTS DU BLOC (G) |
| (A) | → 407507V | (D) | → 410986V | (G) → 407721V |
| (B) | → 407508V | (E) | → 415801X | |
| (C) | → 410985V | (F) | → 415802X | |

**ÍNDICE DE GRUPOS
GROUP INDEX
INDICE DE GRUPOS
INDEX DE GROUPES**

**MOTOR T4.236
TRATOR AGRÍCOLA
MF 292**

**LISTA DE PEÇAS
PART LIST
LISTA DE PIEZAS
LISTE DE PIÉCES**

8826

| GRUPOS | UNIDADE BÁSICA Nº 218 | BASIC UNIT Nº 218 | UNIDAD BÁSICA Nº 218 | UNITÉ DE BASE Nº 218 |
|-----------------------|---|---------------------------------------|---|---|
| 11/58 | BLOCO DE CILINDROS | CYLINDER BLOCK | BLOQUE DE CILINDROS | BLOC-CYLINDRES |
| 12/16 | CAIXA DISTRIBUIÇÃO | TIMING CASE | CAJA DISTRIBUCIÓN | CARTER DISTRIBUTION |
| 13/38 | ÁRVORE DE MANIVELAS | CRANKSHAFT | CIGÜENAL | VILEBREQUIN |
| 14/28 | PISTÕES E BIELAS | PISTONS / CONNECT RODS | PISTONES Y BIELAS | PILONES E BIELLES |
| 15/18 | BOMBA ÓLEO LUBRIFICANTE | LUBRICATING OIL PUMP | BOMBA ACEITE LUBRICANTE | POMPE À HUILE LUBRIFIANTE |
| 17/27 | CABEÇOTE | CYLINDER HEAD | CULATA | CULASSE |
| 18/28 | VÁLVULAS/BALANCEIROS | VALVES / ROCKERSHAFT | VÁLVULAS / BALANCINES | SOUPAPES / LEVIERS |
| 20/17 | RETENTOR TRASEIRO DE ÓLEO | REAR OIL SEAL | SELLO TRASERO DE ACEITE | DÉFLECTEUR D'HUILE ARR. |
| 21/18 | ÁRVORE COMANDO VÁLVULAS | CAMSHAFT | ARBOL DE LEVAS | ARBRE À CAMES |
| 22/13 | ENGRENAGENS DISTRIBUIÇÃO | IDLER GEARS | ENGRENAJES DISTRIBUCIÓN | PIGNONS DISTRIBUTION |
| COMPLEMENTOS | | | | |
| 31/145 | CARTER ÓLEO LUBRIFICANTE | LUBRICATING OIL SUMP | CARTER ACEITE LUBRICANTE | CARTER HUILE LUBRIFIANTE |
| 32/46 | POLIA ÁRVORE MANIVELAS | CRANKSHAFT PULLEY | POLEA DEL CIGÜENAL | POULIE DU VILEBREQUIN |
| 32/101 | POLIA ÁRVORE MANIVELAS (B) | CRANKSHAFT PULLEY (B) | POLEA DEL CIGÜENAL (B) | POULIE DU VILEBREQUIN (B) |
| 33/101 | FILTRO ÓLEO LUBRIFICANTE | LUBR. OIL FILTER | FILTRO ACEITE LUBRIFICANTE | FILTRE HUILE LUBRIFIANTE |
| 34/67 | TAMPA DO CABEÇOTE | CYLINDER HEAD COVER | TAPA DE VÁLVULAS | CACHE-CULBUTEURS |
| 35/.. | VENTILADOR | FAN | VENTILADOR | VENTILATEUR |
| 36/69 | TAMPA TRASEIRA CABEÇOTE | CYLINDER HEAD REAR COVER | TAPA TRASERA DE LA CULATA | CACHE-CULBUTEURS ARRIERE |
| 37/77 | TERMOSTATO E CARÇAÇA | THERMOSTAT AND HOUSING | TERMOSTATO Y CÁRTER | THERMOSTAT ET CARTER |
| 38/93 | COLETOR DE ADMISSÃO | INDUCTION MANIFOLD | MÚLTIPLE DE ADMISIÓN | COLLECTEUR D'ADMISSION |
| 39/173 | BOMBA INJETORA COMBUSTÍVEL | FUEL INJECTION PUMP | BOMBA INYECTORA COMBUSTIBLE | POMPE D'INJEC. / COMBUST. |
| 40/98 | SISTEMA AUXILIAR PARTIDA | COLD WEATHER STARTING AID | SIST. AUXILIAR DE ARRANQUE | THERMOSTART |
| 41/41 | COLETOR DE ESCAPE | EXHAUST MANIFOLD | MÚLTIPLE DE ESCAPE | COLLECTEUR D'ÉCHAPPEMENT |
| 42/177 | BOMBA ALIMENTADORA E FILTRO ÓLEO COMBUSTÍVEL | FUEL LIFT PUMP AND FUEL OIL FILTER | BOMBA DE ALIMENTACIÓN Y FILTROS ACEITE COMBUSTIBLE | POMPE D'ALIMENTATION ET FILTRE À HUILE COMBUSTIBLE |
| 43/56 | TOMADA P/ MANÓMETRO ÓLEO | OIL PRESS GAUGE FITTING | TOMA P/ MANÓMETRO ACEITE | PRISE P/ MANOMETRE D'HUILE |
| 44/128 | TOMADA POTÊNCIA | POWER TAKE-OFF | TOMA DE POTENCIA | PRISE DE PUISSANCE |
| 45/.. | CARÇAÇA DO VOLANTE | FLYWHEEL HOUSING | CARTER DEL VOLANTE | CARTER DU VOLANT |
| 46/26 | MOTOR DE PARTIDA | STARTER MOTOR | MOTOR DE ARRANQUE | DÉMARREUR |
| 47/18 | ACIONAMENTO DO TACUÍMETRO | TACHOMETER DRIVE | MANDO DEL TACUÍMETRO | COMMANDE DU COMPTE-TOURS |
| 48/80 | TUBO INJEÇÃO / INJETORES | FUEL INJECTION SYSTEM | EQUIPO DE INYECCIÓN | SYSTEME D'INJECTION |
| 49/15 | CONEXÃO ENTRADA D'ÁGUA | WATER INLET CONNECTION | CONEXIÓN ENTRADA D'ÁGUA | RACCORD D'ENTRÉE D'EAU |
| 50/.. | ALTERNADOR E CORREIA | ALTERNATOR AND BELT | ALTERNADOR Y CORREA | ALTERNATEUR ET COURROIE |
| 52/226 | ÍTENS DE INSTALAÇÃO | FITTING ITEMS | PIEZAS DE INSTALACIÓN | ARTICLES D'INSTALLATION |
| 53/14 | RESPIRO DO MOTOR | ENGINEER BREATHER | RESPIRADERO DEL MOTOR | RENIFLARD DU MOTEUR |
| 54/.. | FILTRO DE AR | AIR CLEANER | FILTRO DE AIRE | FILTRE À AIR |
| 55/.. | VOLANTE E CREMALHEIRA | FLYWHEEL AND STARTER RING | VOLANTE Y CORONA | VOLANT ET COURONNE |
| 56/78 | BOMBA D'ÁGUA | WATER PUMP | BOMBA DE ÁGUA | POMPE À EAU |
| 58/07 | TURBO ALIMENTADOR | TURBOCHARGER | AVEC COMPRESSEUR | TURBINA |
| ACESSÓRIOS | | | | |
| 71/.. | SUPORTE DO MOTOR | ENGINE SUPPORTS | SOPORTES DEL MOTOR | SUPPORTS DU MOTEUR |
| 72/.. | SISTEMA DE ARREFECIMENTO | COOLING SYSTEM | SISTEMA DE ENFRIAMIENTO | SYSTEME REFROIDISSEMENT |
| 73/19 | CONTROLES | CONTROLS | CONTROLES | CONTRÔLES |
| 74/.. | SISTEMA DE ESCAPE | EXHAUST SYSTEM | SISTEMA DE ESCAPE | SYSTEME D'ÉCHAPPEMENT |
| 75/105 | SISTEMA DE COMBUSTÍVEL | FUEL SYSTEM | SISTEMA DE COMBUSTIBLE | SYSTEME D'COMBUSTIBLE |
| 76/.. | SISTEMA DE ADMISSÃO | INDUCTION SYSTEM | SISTEMA DE ADMISIÓN | SYSTEME D'ADMISSION |
| 77/.. | PAINEL DE INSTRUMENTOS | INSTRUMENT PANEL | TABLERO DE INSTRUMENTOS | TABLEAU DE BORD |
| 78/.. | SISTEMA ELÉTRICO | ELECTRICAL SYSTEM | SISTEMA ELÉCTRICO | SYSTEME ÉLECTRIQUE |
| JOGO DE JUNTAS | | | | |
| 00/26 | JOGO DE JUNTAS CABEÇOTE | TOP OVERHAUL | JUEGO DE JUNTAS CULATA | JEU DE JOINTS CULASSE |
| 00/27 | JOGO DE JUNTAS BLOCO | BOTTOM OVERHAUL | JUEGO DE JUNTAS BLOQUE | JEU DE JOINTS DU BLOC |
| 00/60 | JOGO DE JUNTAS BLOCO (A) | BOTTOM OVERHAUL (A) | JUEGO DE JUNTAS BLOQUE (A) | JEU DE JOINTS DU BLOC (A) |

(A) → 407061V
(B) → 426026X

| GRUPOS | UNIDADE BÁSICA Nº 219 | BASIC UNIT Nº 219 | UNIDAD BÁSICA Nº 219 | UNITÉ DE BASE Nº 219 |
|-----------------------|---|---------------------------------------|---|---|
| 11/36 | BLOCO DE CILINDROS | CYLINDER BLOCK | BLOQUE DE CILINDROS | BLOC-CYLINDRES |
| 12/16 | CAIXA DISTRIBUIÇÃO | TIMING CASE | CAJA DISTRIBUCIÓN | CARTER DISTRIBUTION |
| 13/13 | ÁRVORE DE MANIVELAS | CRANKSHAFT | CIGÜENAL | VILEBREQUIN |
| 14/27 | PISTÕES E BIELAS | PISTONS / CONNECT RODS | PISTONES Y BIELAS | PISTONS ET BIELLES |
| 15/17 | BOMBA ÓLEO LUBRIFICANTE | LUBRICATING OIL PUMP | BOMBA ACEITE LUBRICANTE | POMPE À HUILE LUBRIFIANTE |
| 17/32 | CABEÇOTE | CYLINDER HEAD | CULATA | CULASSE |
| 18/25 | VÁLVULAS / BALANCEIROS (A) | VALVES / ROCKERSHAFT (A) | VÁLVULAS / BALANCINES (A) | SOUPAPES / LEVIERS (A) |
| 18/26 | VÁLVULAS / BALANCEIROS (B) | VALVES / ROCKERSHAFT (B) | VÁLVULAS / BALANCINES (B) | SOUPAPES / LEVIERS (B) |
| 20/17 | RETENTOR TRASEIRO DE ÓLEO | REAR OIL SEAL | SELLO TRASERO DE ACEITE | DÉFLECTEUR D'HUILE ARR. |
| 21/19 | ÁRVORE COMANDO VÁLVULAS | CAMSHAFT | ARBOL DE LEVAS | ARBRE À CAMES |
| 22/13 | ENGRENAGENS DISTRIBUIÇÃO | IDLER GEARS | ENGRENAJES DISTRIBUCIÓN | PIGNONS DISTRIBUTION |
| COMPLEMENTOS | | | | |
| 31/144 | CARTER ÓLEO LUBRIFICANTE | LUBRICATING OIL SUMP | CARTER ACEITE LUBRICANTE | CARTER HUILE LUBRIFIANTE |
| 32/46 | POLIA ÁRVORE MANIVELAS | CRANKSHAFT PULLEY | POLEA DEL CIGÜENAL | POULIE DU VILEBREQUIN |
| 33/21 | FILTRO ÓLEO LUBRIFICANTE | LUBR. OIL FILTER | FILTRO ACEITE LUBRIFICANTE | FILTRE HUILE LUBRIFIANTE |
| 34/38 | TAMPA DO CABEÇOTE | CYLINDER HEAD COVER | TAPA DE VÁLVULAS | CACHE-CULBUTEURS |
| 35/.. | VENTILADOR | FAN | VENTILADOR | VENTILATEUR |
| 36/24 | TAMPA TRASEIRA CABEÇOTE | CYLINDER HEAD REAR COVER | TAPA TRASERA DE LA CULATA | CACHE-CULBUTEURS ARRIERE |
| 37/28 | TERMOSTATO E CARÇAÇA | THERMOSTAT AND HOUSING | TERMOSTATO Y CÁRTER | THERMOSTAT ET CARTER |
| 38/77 | COLETOR DE ADMISSÃO | INDUCTION MANIFOLD | MÚLTIPLE DE ADMISIÓN | COLLECTEUR D'ADMISSION |
| 39/177 | BOMBA INJETORA COMBUSTÍVEL | FUEL INJECTION PUMP | BOMBA INYECTORA COMBUSTIBLE | POMPE D'INJEC. / COMBUST. |
| 40/01 | SISTEMA AUXILIAR PARTIDA | COLD WEATHER STARTING AID | SIST. AUXILIAR DE ARRANQUE | THERMOSTART |
| 41/19 | COLETOR DE ESCAPE | EXHAUST MANIFOLD | MÚLTIPLE DE ESCAPE | COLLECTEUR D'ÉCHAPPEMENT |
| 42/94 | BOMBA ALIMENTADORA E FILTRO ÓLEO COMBUSTÍVEL | FUEL LIFT PUMP AND FUEL OIL FILTER | BOMBA DE ALIMENTACIÓN Y FILTROS ACEITE COMBUSTIBLE | POMPE D'ALIMENTATION ET FILTRE À HUILE COMBUSTIBLE |
| 43/56 | TOMADA P/ MANÔMETRO ÓLEO | OIL PRESS GAUGE FITTING | TOMA P/ MANÓMETRO ACEITE | PRISE P/ MANOMETRE D'HUILE |
| 44/128 | TOMADA POTÊNCIA | POWER TAKE-OFF | TOMA DE POTENCIA | PRISE DE PUISSANCE |
| 45/.. | CARÇAÇA DO VOLANTE | FLYWHEEL HOUSING | CARTER DEL VOLANTE | CARTER DU VOLANT |
| 46/26 | MOTOR DE PARTIDA | STARTER MOTOR | MOTOR DE ARRANQUE | DÉMARREUR |
| 47/18 | ACIONAMENTO DO TAQUÍMETRO | TACHOMETER DRIVE | MANDO DEL TAQUÍMETRO | COMMANDE DU COMPTE-TOURS |
| 48/95 | TUBO INJEÇÃO / INJETORES | FUEL INJECTION SYSTEM | EQUIPO DE INYECCIÓN | SYSTEME D'INJECTION |
| 49/.. | CONEXÃO ENTRADA D'ÁGUA | WATER INLET CONNECTION | CONEXIÓN ENTRADA D'ÁGUA | RACCORD D'ENTRÉE D'EAU |
| 50/.. | ALTERNADOR E CORREIA | ALTERNATOR AND BELT | ALTERNADOR Y CORREA | ALTERNATEUR ET COURROIE |
| 52/98 | ÍTEMS DE INSTALAÇÃO | FITTING ITEMS | PIEZAS DE INSTALACIÓN | ARTICLES D'INSTALLATION |
| 53/14 | RESPIRO DO MOTOR | ENGINE BREATHER | RESPIRADERO DEL MOTOR | RENIFLARD DU MOTEUR |
| 54/.. | FILTRO DE AR | AIR CLEANER | FILTRO DE AIRE | FILTRE À AIR |
| 55/.. | VOLANTE E CREMALHEIRA | FLYWHEEL AND STARTER RING | VOLANTE Y CORONA | VOLANT ET COURONNE |
| 56/69 | BOMBA D'ÁGUA | WATER PUMP | BOMBA DE ÁGUA | POMPE À EAU |
| ACESSÓRIOS | | | | |
| 71/.. | SUORTE DO MOTOR | ENGINE SUPPORTS | SOPORTES DEL MOTOR | SUPPORTS DU MOTEUR |
| 72/.. | SISTEMA DE ARREFECIMENTO | COOLING SYSTEM | SISTEMA DE ENFRIAMIENTO | SYSTEME REFROIDISSEMENT |
| 73/19 | CONTROLES | CONTROLS | CONTROLES | CONTRÔLES |
| 74/.. | SISTEMA DE ESCAPE | EXHAUST SYSTEM | SISTEMA DE ESCAPE | SYSTEME D'ÉCHAPPEMENT |
| 75/.. | SISTEMA DE COMBUSTÍVEL | FUEL SYSTEM | SISTEMA DE COMBUSTIBLE | SYSTEME D'COMBUSTIBLE |
| 76/.. | SISTEMA DE ADMISSÃO | INDUCTION SYSTEM | SISTEMA DE ADMISIÓN | SYSTEME D'ADMISSION |
| 77/.. | PAINEL DE INSTRUMENTOS | INSTRUMENT PANEL | TABLERO DE INSTRUMENTOS | TABLEAU DE BORD |
| 78/.. | SISTEMA ELÉTRICO | ELECTRICAL SYSTEM | SISTEMA ELÉCTRICO | SYSTEME ÉLECTRIQUE |
| JOGO DE JUNTAS | | | | |
| 00/42 | JOGO DE JUNTAS CABEÇOTE | TOP OVERHAUL | JUEGO DE JUNTAS CULATA | JEU DE JOINTS CULASSE |
| 00/17 | JOGO DE JUNTAS BLOCO (C) | BOTTOM OVERHAUL (C) | JUEGO DE JUNTAS BLOQUE (C) | JEU DE JOINTS DU BLOC (C) |
| 00/55 | JOGO DE JUNTAS BLOCO (D) | BOTTOM OVERHAUL (D) | JUEGO DE JUNTAS BLOQUE (D) | JEU DE JOINTS DU BLOC (D) |





- (A) → 407772V
 (B) → 407773V
 (C) → 407768V
 (D) → 407769V

**ÍNDICE DE GRUPOS
GROUP INDEX
INDICE DE GRUPOS
INDEX DE GROUPE**

**MOTOR 4.248
TRATOR AGRÍCOLA
MF 283**

**LISTA DE PEÇAS
PART LIST
LISTA DE PIEZAS
LISTE DE PIÉCES**

8824

| GRUPOS | UNIDADE BÁSICA Nº 239 | BASIC UNIT Nº 239 | UNIDAD BÁSICA Nº 239 | UNITÉ DE BASE Nº 239 |
|--------|---|---------------------------------------|---|---|
| 11/36 | BLOCO DE CILINDROS | CYLINDER BLOCK | BLOQUE DE CILINDROS | BLOC-CYLINDRES |
| 12/16 | CAIXA DISTRIBUIÇÃO | TIMING CASE | CAJA DISTRIBUCIÓN | CARTER DISTRIBUTION |
| 13/13 | ÁRVORE DE MANIVELAS | CRANKSHAFT | CIGÜENAL | VILEBREQUIN |
| 14/27 | PISTÕES E BIELAS | PISTONS / CONNECT RODS | PISTONES Y BIELAS | PISTONS ET BIELLES |
| 15/21 | BOMBA ÓLEO LUBRIFICANTE | LUBRICATING OIL PUMP | BOMBA ACEITE LUBRICANTE | POMPE À HUILE LUBRIFIANTE |
| 17/32 | CABEÇOTE | CYLINDER HEAD | CULATA | CULASSE |
| 18/25 | VÁLVULAS / BALANCEIROS (A) | VALVES / ROCKERSHAFT (A) | VÁLVULAS / BALANCINES (A) | SOUPAPES / LEVIERS (A) |
| 18/26 | VÁLVULAS / BALANCEIROS (B) | VALVES / ROCKERSHAFT (B) | VÁLVULAS / BALANCINES (B) | SOUPAPES / LEVIERS (B) |
| 20/17 | RETENTOR TRASEIRO DE ÓLEO | REAR OIL SEAL | SELLO TRASERO DE ACEITE | DÉFLECTEUR D'HUILE ARR. |
| 21/19 | ÁRVORE COMANDO VÁLVULAS | CAMSHAFT | ARBOL DE LEVAS | ARBRE À CAMES |
| 22/13 | ENGRENAGENS DISTRIBUIÇÃO | IDLER GEARS | ENGRENAJES DISTRIBUCIÓN | PIGNONS DISTRIBUTION |
| | COMPLEMENTOS | COMPLEMENTS | COMPLEMENTOS | COMPLÉMENTS |
| 31/145 | CARTER ÓLEO LUBRIFICANTE | LUBRICATING OIL SUMP | CARTER ACEITE LUBRICANTE | CARTER HUILE LUBRIFIANTE |
| 32/46 | POLIA ÁRVORE MANIVELAS | CRANKSHAFT PULLEY | POLEA DEL CIGÜENAL | POULIE DU VILEBREQUIN |
| 33/21 | FILTRO ÓLEO LUBRIFICANTE | LUBR. OIL FILTER | FILTRO ACEITE LUBRIFICANTE | FILTRE HUILE LUBRIFIANTE |
| 34/38 | TAMPA DO CABEÇOTE | CYLINDER HEAD COVER | TAPA DE VÁLVULAS | CACHE-CULBUTEURS |
| 35/.. | VENTILADOR | FAN | VENTILADOR | VENTILATEUR |
| 36/24 | TAMPA TRASEIRA CABEÇOTE | CYLINDER HEAD REAR COVER | TAPA TRASERA DE LA CULATA | CACHE-CULBUTEURS ARRIERE |
| 37/28 | TERMOSTATO E CARÇAÇA | THERMOSTAT AND HOUSING | TERMOSTATO Y CÁRTER | THERMOSTAT ET CARTER |
| 38/77 | COLETOR DE ADMISSÃO | INDUCTION MANIFOLD | MÚLTIPLE DE ADMISIÓN | COLLECTEUR D'ADMISSION |
| 39/177 | BOMBA INJETORA COMBUSTÍVEL | FUEL INJECTION PUMP | BOMBA INYECTORA COMBUSTIBLE | POMPE D'INJEC. / COMBUST. |
| 40/22 | SISTEMA AUXILIAR PARTIDA | COLD WEATHER STARTING AID | SIST. AUXILIAR DE ARRANQUE | THERMOSTART |
| 41/19 | COLETOR DE ESCAPE | EXHAUST MANIFOLD | MÚLTIPLE DE ESCAPE | COLLECTEUR D'ÉCHAPPEMENT |
| 42/94 | BOMBA ALIMENTADORA E FILTRO ÓLEO COMBUSTÍVEL | FUEL LIFT PUMP AND FUEL OIL FILTER | BOMBA DE ALIMENTACIÓN Y FILTROS ACEITE COMBUSTIBLE | POMPE D'ALIMENTATION ET FILTRE À HUILE COMBUSTIBLE |
| 43/56 | TOMADA P/ MANÓMETRO ÓLEO | OIL PRESS GAUGE FITTING | TOMA P/ MANÓMETRO ACEITE | PRISE P/ MANOMETRE D'HUILE |
| 44/128 | TOMADA POTÊNCIA | POWER TAKE-OFF | TOMA DE POTENCIA | PRISE DE PUISSANCE |
| 45/.. | CARÇAÇA DO VOLANTE | FLYWHEEL HOUSING | CARTER DEL VOLANTE | CARTER DU VOLANT |
| 46/26 | MOTOR DE PARTIDA | STARTER MOTOR | MOTOR DE ARRANQUE | DÉMARREUR |
| 47/18 | ACIONAMENTO DO TAQUÍMETRO | TACHOMETER DRIVE | MANDO DEL TAQUÍMETRO | COMMANDE DU COMPTE-TOURS |
| 48/95 | TUBO INJEÇÃO / INJETORES | FUEL INJECTION SYSTEM | EQUIPO DE INYECCIÓN | SYSTEME D'INJECTION |
| 49/.. | CONEXÃO ENTRADA D'ÁGUA | WATER INLET CONNECTION | CONEXIÓN ENTRADA D'ÁGUA | RACCORD D'ENTRÉE D'EAU |
| 50/.. | ALTERNADOR E CORREIA | ALTERNATOR AND BELT | ALTERNADOR Y CORREA | ALTERNATEUR ET COURROIE |
| 52/98 | ÍTENS DE INSTALAÇÃO | FITTING ITEMS | PIEZAS DE INSTALACIÓN | ARTICLES D'INSTALLATION |
| 53/14 | RESPIRO DO MOTOR | ENGINEER BREATHER | RESPIRADERO DEL MOTOR | RENIFLARD DU MOTEUR |
| 54/.. | FILTRO DE AR | AIR CLEANER | FILTRO DE AIRE | FILTRE À AIR |
| 55/.. | VOLANTE E CREMALHEIRA | FLYWHEEL AND STARTER RING | VOLANTE Y CORONA | VOLANT ET COURONNE |
| 56/69 | BOMBA D'ÁGUA | WATER PUMP | BOMBA DE ÁGUA | POMPE À EAU |
| | ACESSÓRIOS | ACCESSORIES | ACESSORIOS | ACCESSOIRES |
| 71/.. | SUPORTE DO MOTOR | ENGINE SUPPORTS | SOPORTES DEL MOTOR | SUPPORTS DU MOTEUR |
| 72/.. | SISTEMA DE ARREFECIMENTO | COOLING SYSTEM | SISTEMA DE ENFRIAMIENTO | SYSTEME REFROIDISSEMENT |
| 73/19 | CONTOLES | CONTROLS | CONTOLES | CONTRÔLES |
| 74/.. | SISTEMA DE ESCAPE | EXHAUST SYSTEM | SISTEMA DE ESCAPE | SYSTEME D'ÉCHAPPEMENT |
| 75/.. | SISTEMA DE COMBUSTÍVEL | FUEL SYSTEM | SISTEMA DE COMBUSTIBLE | SYSTEME D'COMBUSTIBLE |
| 76/.. | SISTEMA DE ADMISSÃO | INDUCTION SYSTEM | SISTEMA DE ADMISIÓN | SYSTEME D'ADMISSION |
| 77/.. | PAINEL DE INSTRUMENTOS | INSTRUMENT PANEL | TABLERO DE INSTRUMENTOS | TABLEAU DE BORD |
| 78/.. | SISTEMA ELÉTRICO | ELECTRICAL SYSTEM | SISTEMA ELÉCTRICO | SYSTEME ÉLECTRIQUE |
| | JOGO DE JUNTAS | JOINT SETS | JUEGOS DE JUNTAS | JEUX DE JOINTS |
| 00/42 | JOGO DE JUNTAS CABEÇOTE | TOP OVERHAUL | JUEGO DE JUNTAS CULATA | JEU DE JOINTS CULASSE |
| 00/17 | JOGO DE JUNTAS BLOCO (C) | BOTTOM OVERHAUL (C) | JUEGO DE JUNTAS BLOQUE (C) | JEU DE JOINTS DU BLOC (C) |
| 00/55 | JOGO DE JUNTAS BLOCO (D) | BOTTOM OVERHAUL (D) | JUEGO DE JUNTAS BLOQUE (D) | JEU DE JOINTS DU BLOC (D) |
| (A) |  407772V | | | |
| (B) |  407773V | | | |
| (C) |  407768V | | | |
| (D) |  407769V | | | |

**ÍNDICE DE GRUPOS
GROUP INDEX
INDICE DE GRUPOS
INDEX DE GROUPE**

**MOTOR 4.236 (A)
TRATOR AGRÍCOLA
MF 272 E / 275**

**LISTA DE PEÇAS
PART LIST
LISTA DE PIEZAS
LISTE DE PIÉCES**

8823




| GRUPOS | UNIDADE BÁSICA Nº 234 | BASIC UNIT Nº 234 | UNIDAD BÁSICA Nº 234 | UNITÉ DE BASE Nº 234 |
|--------|---|---------------------------------------|---|---|
| 11/33 | BLOCO DE CILINDROS | CYLINDER BLOCK | BLOQUE DE CILINDROS | BLOC-CYLINDRES |
| 12/16 | CAIXA DISTRIBUIÇÃO | TIMING CASE | CAJA DISTRIBUCIÓN | CARTER DISTRIBUTION |
| 13/13 | ÁRVORE DE MANIVELAS | CRANKSHAFT | CIGÜENAL | VILEBREQUIN |
| 14/35 | PISTÕES E BIELAS | PISTONS / CONNECT RODS | PISTONES Y BIELAS | PISTONS ET BIELLES |
| 15/17 | BOMBA ÓLEO LUBRIFICANTE | LUBRICATING OIL PUMP | BOMBA ACEITE LUBRICANTE | POMPE À HUILE LUBRIFIANTE |
| 17/32 | CABEÇOTE | CYLINDER HEAD | CULATA | CULASSE |
| 18/25 | VÁLVULAS/BALANCEIROS (A) | VALVES / ROCKERSHAFT (A) | VÁLVULAS / BALANCINES (A) | SOUPAPES / LEVIERS (A) |
| 18/26 | VÁLVULAS BALANCEIROS (B) | VALVES / ROCKERSHAFT (B) | VÁLVULAS / BALANCINES (B) | SOUPAPES / LEVIERS (B) |
| 20/17 | RETENTOR TRASEIRO DE ÓLEO | REAR OIL SEAL | SELLO TRASERO DE ACEITE | DÉFLECTEUR D'HUILE ARR. |
| 21/19 | ÁRVORE COMANDO VÁLVULAS | CAMSHAFT | ARBOL DE LEVAS | ARBRE À CAMES |
| 22/13 | ENGRENAGENS DISTRIBUIÇÃO | IDLER GEARS | ENGRENAJES DISTRIBUCIÓN | PIGNONS DISTRIBUTION |
| | COMPLEMENTOS | COMPLEMENTS | COMPLEMENTOS | COMPLÉMENTS |
| 31/144 | CARTER ÓLEO LUBRIFICANTE | LUBRICATING OIL SUMP | CARTER ACEITE LUBRICANTE | CARTER HUILE LUBRIFIANTE |
| 32/46 | POLIA ÁRVORE MANIVELAS | CRANKSHAFT PULLEY | POLEA DEL CIGÜENAL | POULIE DU VILEBREQUIN |
| 33/21 | FILTRO ÓLEO LUBRIFICANTE | LUBR. OIL FILTER | FILTRO ACEITE LUBRIFICANTE | FILTRE HUILE LUBRIFIANTE |
| 34/38 | TAMPA DO CABEÇOTE | CYLINDER HEAD COVER | TAPA DE VÁLVULAS | CACHE-CULBUTEURS |
| 35/.. | VENTILADOR | FAN | VENTILADOR | VENTILATEUR |
| 36/24 | TAMPA TRASEIRA CABEÇOTE | CYLINDER HEAD REAR COVER | TAPA TRASERA DE LA CULATA | CACHE-CULBUTEURS ARRIERE |
| 37/28 | TERMOSTATO E CARÇAÇA | THERMOSTAT AND HOUSING | TERMOSTATO Y CÁRTER | THERMOSTAT ET CARTER |
| 38/77 | COLETOR DE ADMISSÃO | INDUCTION MANIFOLD | MÚLTIPLE DE ADMISIÓN | COLLECTEUR D'ADMISSION |
| 39/176 | BOMBA INJETORA COMBUSTÍVEL | FUEL INJECTION PUMP | BOMBA INYECTORA COMBUSTIBLE | POMPE D'INJEC. / COMBUST. |
| 40/01 | SISTEMA AUXILIAR PARTIDA | COLD WEATHER STARTING AID | SIST. AUXILIAR DE ARRANQUE | THERMOSTART |
| 41/21 | COLETOR DE ESCAPE | EXHAUST MANIFOLD | MÚLTIPLE DE ESCAPE | COLLECTEUR D'ÉCHAPPEMENT |
| 42/94 | BOMBA ALIMENTADORA E FILTRO ÓLEO COMBUSTÍVEL | FUEL LIFT PUMP AND FUEL OIL FILTER | BOMBA DE ALIMENTACIÓN Y FILTROS ACEITE COMBUSTIBLE | POMPE D'ALIMENTATION ET FILTRE À HUILE COMBUSTIBLE |
| 43/56 | TOMADA P/ MANÓMETRO ÓLEO | OIL PRESS GAUGE FITTING | TOMA P/ MANÓMETRO ACEITE | PRISE P/ MANOMETRE D'HUILE |
| 44/128 | TOMADA POTÊNCIA | POWER TAKE-OFF | TOMA DE POTENCIA | PRISE DE PUISSANCE |
| 45/.. | CARÇAÇA DO VOLANTE | FLYWHEEL HOUSING | CARTER DEL VOLANTE | CARTER DU VOLANT |
| 46/26 | MOTOR DE PARTIDA | STARTER MOTOR | MOTOR DE ARRANQUE | DÉMARREUR |
| 47/18 | ACIONAMENTO DO TAQUÍMETRO | TACHOMETER DRIVE | MANDO DEL TAQUÍMETRO | COMMANDE DU COMPTE-TOURS |
| 48/80 | TUBO INJEÇÃO / INJETORES | FUEL INJECTION SYSTEM | EQUIPO DE INYECCIÓN | SYSTEME D'INJECTION |
| 49/.. | CONEXÃO ENTRADA D'ÁGUA | WATER INLET CONNECTION | CONEXIÓN ENTRADA D'ÁGUA | RACCORD D'ENTRÉE D'EAU |
| 50/.. | ALTERNADOR E CORREIA | ALTERNATOR AND BELT | ALTERNADOR Y CORREA | ALTERNATEUR ET COURROIE |
| 52/98 | ÍTENS DE INSTALAÇÃO | FITTING ITEMS | PIEZAS DE INSTALACIÓN | ARTICLES D'INSTALLATION |
| 53/14 | RESPIRO DO MOTOR | ENGINEER BREATHER | RESPIRADERO DEL MOTOR | RENIFLARD DU MOTEUR |
| 54/.. | FILTRO DE AR | AIR CLEANER | FILTRO DE AIRE | FILTRE À AIR |
| 55/.. | VOLANTE E CREMALHEIRA | FLYWHEEL AND STARTER RING | VOLANTE Y CORONA | VOLANT ET COURONNE |
| 56/69 | BOMBA D'ÁGUA | WATER PUMP | BOMBA DE ÁGUA | POMPE À EAU |
| | ACESSÓRIOS | ACCESSORIES | ACESSORIOS | ACCESSOIRES |
| 71/.. | SUPORTE DO MOTOR | ENGINE SUPPORTS | SOPORTES DEL MOTOR | SUPPORTS DU MOTEUR |
| 72/.. | SISTEMA DE ARREFECIMENTO | COOLING SYSTEM | SISTEMA DE ENFRIAMIENTO | SYSTEME REFROIDISSEMENT |
| 73/19 | CONTROLES | CONTROLS | CONTOLES | CONTRÔLES |
| 74/36 | SISTEMA DE ESCAPE | EXHAUST SYSTEM | SISTEMA DE ESCAPE | SYSTEME D'ÉCHAPPEMENT |
| 75/19 | SISTEMA DE COMBUSTÍVEL | FUEL SYSTEM | SISTEMA DE COMBUSTIBLE | SYSTEME D'COMBUSTIBLE |
| 76/.. | SISTEMA DE ADMISSÃO | INDUCTION SYSTEM | SISTEMA DE ADMISIÓN | SYSTEME D'ADMISSION |
| 77/.. | PAINEL DE INSTRUMENTOS | INSTRUMENT PANEL | TABLERO DE INSTRUMENTOS | TABLEAU DE BORD |
| 78/.. | SISTEMA ELÉTRICO | ELECTRICAL SYSTEM | SISTEMA ELÉCTRICO | SYSTEME ÉLECTRIQUE |
| | JOGO DE JUNTAS | JOINT SETS | JUEGOS DE JUNTAS | JEUX DE JOINTS |
| 00/42 | JOGO DE JUNTAS CABEÇOTE | TOP OVERHAUL | JUEGO DE JUNTAS CULATA | JEU DE JOINTS CULASSE |
| 00/17 | JOGO DE JUNTAS BLOCO | BOTTOM OVERHAUL | JUEGO DE JUNTAS BLOQUE | JEU DE JOINTS DU BLOC |
| 00/55 | JOGO DE JUNTAS BLOCO (C) | BOTTOM OVERHAUL (C) | JUEGO DE JUNTAS BLOQUE (C) | JEU DE JOINTS DU BLOC (C) |
| (A) | → 407709V | | | |
| (B) | → 407710V | | | |
| (C) | → 407725V | | | |

**ÍNDICE DE GRUPOS
GROUP INDEX
INDICE DE GRUPOS
INDEX DE GROUPES**

**MOTOR 4.236 (A)
TRATOR AGRÍCOLA
MF 265
EXP. CHILE**

**LISTA DE PEÇAS
PART LIST
LISTA DE PIEZAS
LISTE DE PIÈCES**

8821

| GRUPOS | UNIDADE BÁSICA Nº 234 | BASIC UNIT Nº 234 | UNIDAD BÁSICA Nº 234 | UNITÉ DE BASE Nº 234 |
|-----------------------|---|---------------------------------------|---|---|
| 11/33 | BLOCO DE CILINDROS | CYLINDER BLOCK | BLOQUE DE CILINDROS | BLOC-CYLINDRES |
| 12/16 | CAIXA DISTRIBUIÇÃO | TIMING CASE | CAJA DISTRIBUCIÓN | CARTER DISTRIBUTION |
| 13/13 | ÁRVORE DE MANIVELAS | CRANKSHAFT | CIGÜENAL | VILEBREQUIN |
| 14/35 | PISTÕES E BIELAS | PISTONS / CONNECT RODS | PISTONES Y BIELAS | PISTONS ET BIELLES |
| 15/17 | BOMBA ÓLEO LUBRIFICANTE | LUBRICATING OIL PUMP | BOMBA ACEITE LUBRICANTE | POMPE À HUILE LUBRIFIANTE |
| 17/32 | CABEÇOTE | CYLINDER HEAD | CULATA | CULASSE |
| 18/25 | VÁLVULAS/BALANCEIROS (A) | VALVES / ROCKERSHAFT (A) | VÁLVULAS / BALANCINES (A) | SOUPAPES / LEVIERS (A) |
| 18/26 | VÁLVULAS BALANCEIROS (B) | VALVES / ROCKERSHAFT (B) | VÁLVULAS / BALANCINES (B) | SOUPAPES / LEVIERS (B) |
| 20/17 | RETENTOR TRASEIRO DE ÓLEO | REAR OIL SEAL | SELLO TRASERO DE ACEITE | DÉFLECTEUR D'HUILE ARR. |
| 21/19 | ÁRVORE COMANDO VÁLVULAS | CAMSHAFT | ARBOL DE LEVAS | ARBRE À CAMES |
| 22/13 | ENGRENAGENS DISTRIBUIÇÃO | IDLER GEARS | ENGRENAJES DISTRIBUCIÓN | PIGNONS DISTRIBUTION |
| COMPLEMENTOS | | | | |
| 31/144 | CARTER ÓLEO LUBRIFICANTE | LUBRICATING OIL SUMP | CARTER ACEITE LUBRICANTE | CARTER HUILE LUBRIFIANTE |
| 32/46 | POLIA ÁRVORE MANIVELAS | CRANKSHAFT PULLEY | POLEA DEL CIGÜENAL | POULIE DU VILEBREQUIN |
| 33/21 | FILTRO ÓLEO LUBRIFICANTE | LUBR. OIL FILTER | FILTRO ACEITE LUBRIFICANTE | FILTRE HUILE LUBRIFIANTE |
| 34/38 | TAMPA DO CABEÇOTE | CYLINDER HEAD COVER | TAPA DE VÁLVULAS | CACHE-CULBUTEURS |
| 35/.. | VENTILADOR | FAN | VENTILADOR | VENTILATEUR |
| 36/24 | TAMPA TRASEIRA CABEÇOTE | CYLINDER HEAD REAR COVER | TAPA TRASERA DE LA CULATA | CACHE-CULBUTEURS ARRIERE |
| 37/28 | TERMOSTATO E CARÇAÇA | THERMOSTAT AND HOUSING | TERMOSTATO Y CÁRTER | THERMOSTAT ET CARTER |
| 38/77 | COLETOR DE ADMISSÃO | INDUCTION MANIFOLD | MÚLTIPLE DE ADMISIÓN | COLLECTEUR D'ADMISSION |
| 39/175 | BOMBA INJETORA COMBUSTÍVEL | FUEL INJECTION PUMP | BOMBA INYECTORA COMBUSTIBLE | POMPE D'INJEC. / COMBUST. |
| 40/01 | SISTEMA AUXILIAR PARTIDA | COLD WEATHER STARTING AID | SIST. AUXILIAR DE ARRANQUE | THERMOSTART |
| 41/21 | COLETOR DE ESCAPE | EXHAUST MANIFOLD | MÚLTIPLE DE ESCAPE | COLLECTEUR D'ÉCHAPPEMENT |
| 42/94 | BOMBA ALIMENTADORA E FILTRO ÓLEO COMBUSTÍVEL | FUEL LIFT PUMP AND FUEL OIL FILTER | BOMBA DE ALIMENTACIÓN Y FILTROS ACEITE COMBUSTIBLE | POMPE D'ALIMENTATION ET FILTRE À HUILE COMBUSTIBLE |
| 43/56 | TOMADA P/ MANÔMETRO ÓLEO | OIL PRESS GAUGE FITTING | TOMA P/ MANÓMETRO ACEITE | PRISE P/ MANOMETRE D'HUILE |
| 44/128 | TOMADA POTÊNCIA | POWER TAKE-OFF | TOMA DE POTENCIA | PRISE DE PUISSANCE |
| 45/.. | CARÇAÇA DO VOLANTE | FLYWHEEL HOUSING | CARTER DEL VOLANTE | CARTER DU VOLANT |
| 46/26 | MOTOR DE PARTIDA | STARTER MOTOR | MOTOR DE ARRANQUE | DÉMARREUR |
| 47/18 | ACIONAMENTO DO TAQUÍMETRO | TACHOMETER DRIVE | MANDO DEL TAQUÍMETRO | COMMANDE DU COMPTE-TOURS |
| 48/96 | TUBO INJEÇÃO / INJETORES | FUEL INJECTION SYSTEM | EQUIPO DE INYECCIÓN | SYSTEME D'INJECTION |
| 49/.. | CONEXÃO ENTRADA D'ÁGUA | WATER INLET CONNECTION | CONEXIÓN ENTRADA D'ÁGUA | RACCORD D'ENTRÉE D'EAU |
| 50/.. | ALTERNADOR E CORREIA | ALTERNATOR AND BELT | ALTERNADOR Y CORREA | ALTERNATEUR ET COURROIE |
| 52/98 | ÍTENS DE INSTALAÇÃO | FITTING ITEMS | PIEZAS DE INSTALACIÓN | ARTICLES D'INSTALLATION |
| 53/14 | RESPIRO DO MOTOR | ENGINEER BREATHER | RESPIRADERO DEL MOTOR | RENIFLARD DU MOTEUR |
| 54/.. | FILTRO DE AR | AIR CLEANER | FILTRO DE AIRE | FILTRE À AIR |
| 55/.. | VOLANTE E CREMALHEIRA | FLYWHEEL AND STARTER RING | VOLANTE Y CORONA | VOLANT ET COURONNE |
| 56/69 | BOMBA D'ÁGUA | WATER PUMP | BOMBA DE ÁGUA | POMPE À EAU |
| ACESSÓRIOS | | | | |
| 71/.. | SUORTE DO MOTOR | ENGINE SUPPORTS | SOPORTES DEL MOTOR | SUPPORTS DU MOTEUR |
| 72/.. | SISTEMA DE ARREFECIMENTO | COOLING SYSTEM | SISTEMA DE ENFRIAMIENTO | SYSTEME REFROIDISSEMENT |
| 73/19 | CONTROLES | CONTROLS | CONTROLES | CONTRÔLES |
| 74/36 | SISTEMA DE ESCAPE | EXHAUST SYSTEM | SISTEMA DE ESCAPE | SYSTEME D'ÉCHAPPEMENT |
| 75/19 | SISTEMA DE COMBUSTÍVEL | FUEL SYSTEM | SISTEMA DE COMBUSTIBLE | SYSTEME D'COMBUSTIBLE |
| 76/.. | SISTEMA DE ADMISSÃO | INDUCTION SYSTEM | SISTEMA DE ADMISIÓN | SYSTEME D'ADMISSION |
| 77/.. | PAINEL DE INSTRUMENTOS | INSTRUMENT PANEL | TABLERO DE INSTRUMENTOS | TABLEAU DE BORD |
| 78/.. | SISTEMA ELÉTRICO | ELECTRICAL SYSTEM | SISTEMA ELÉCTRICO | SYSTEME ÉLECTRIQUE |
| JOGO DE JUNTAS | | | | |
| 00/42 | JOGO DE JUNTAS CABEÇOTE | TOP OVERHAUL | JUEGO DE JUNTAS CULATA | JEU DE JOINTS CULASSE |
| 00/17 | JOGO DE JUNTAS BLOCO | BOTTOM OVERHAUL | JUEGO DE JUNTAS BLOQUE | JEU DE JOINTS DU BLOC |
| 00/55 | JOGO DE JUNTAS BLOCO (C) | BOTTOM OVERHAUL (C) | JUEGO DE JUNTAS BLOQUE (C) | JEU DE JOINTS DU BLOC (C) |
| (A) |  407709V | | | |
| (B) |  407710V | | | |
| (C) |  407721V | | | |

**ÍNDICE DE GRUPOS
GROUP INDEX
INDICE DE GRUPOS
INDEX DE GROUPES**

**MOTOR 4.236 (A)
TRATOR AGRÍCOLA
MF 272 / 275**

**LISTA DE PEÇAS
PART LIST
LISTA DE PIEZAS
LISTE DE PIÉCES**

8822

| GRUPOS | UNIDADE BÁSICA Nº 234 | BASIC UNIT Nº 234 | UNIDAD BÁSICA Nº 234 | UNITÉ DE BASE Nº 234 |
|-----------------------|---|---------------------------------------|---|---|
| 11/33 | BLOCO DE CILINDROS | CYLINDER BLOCK | BLOQUE DE CILINDROS | BLOC-CYLINDRES |
| 12/16 | CAIXA DISTRIBUIÇÃO | TIMING CASE | CAJA DISTRIBUCIÓN | CARTER DISTRIBUTION |
| 13/13 | ÁRVORE DE MANIVELAS | CRANKSHAFT | CIGÜENAL | VILEBREQUIN |
| 14/35 | PISTÕES E BIELAS | PISTONS / CONNECT RODS | PISTONES Y BIELAS | PISTONS ET BIELLES |
| 15/17 | BOMBA ÓLEO LUBRIFICANTE | LUBRICATING OIL PUMP | BOMBA ACEITE LUBRICANTE | POMPE À HUILE LUBRIFIANTE |
| 17/32 | CABEÇOTE | CYLINDER HEAD | CULATA | CULASSE |
| 18/25 | VÁLVULAS/BALANCEIROS (A) | VALVES / ROCKERSHAFT (A) | VÁLVULAS / BALANCINES (A) | SOUPAPES / LEVIERS (A) |
| 18/26 | VÁLVULAS BALANCEIROS (B) | VALVES / ROCKERSHAFT (B) | VÁLVULAS / BALANCINES (B) | SOUPAPES / LEVIERS (B) |
| 20/17 | RETENTOR TRASEIRO DE ÓLEO | REAR OIL SEAL | SELLO TRASERO DE ACEITE | DÉFLECTEUR D'HUILE ARR. |
| 21/19 | ÁRVORE COMANDO VÁLVULAS | CAMSHAFT | ARBOL DE LEVAS | ARBRE À CAMES |
| 22/13 | ENGRENAGENS DISTRIBUIÇÃO | IDLER GEARS | ENGRENAJES DISTRIBUCIÓN | PIGNONS DISTRIBUTION |
| COMPLEMENTOS | | COMPLEMENTS | COMPLEMENTOS | COMPLÉMENTS |
| 31/144 | CARTER ÓLEO LUBRIFICANTE | LUBRICATING OIL SUMP | CARTER ACEITE LUBRICANTE | CARTER HUILE LUBRIFIANTE |
| 32/46 | POLIA ÁRVORE MANIVELAS | CRANKSHAFT PULLEY | POLEA DEL CIGÜENAL | POULIE DU VILEBREQUIN |
| 33/21 | FILTRO ÓLEO LUBRIFICANTE | LUBR. OIL FILTER | FILTRO ACEITE LUBRIFICANTE | FILTRE HUILE LUBRIFIANTE |
| 34/38 | TAMPA DO CABEÇOTE | CYLINDER HEAD COVER | TAPA DE VÁLVULAS | CACHE-CULBUTEURS |
| 35/.. | VENTILADOR | FAN | VENTILADOR | VENTILATEUR |
| 36/24 | TAMPA TRASEIRA CABEÇOTE | CYLINDER HEAD REAR COVER | TAPA TRASERA DE LA CULATA | CACHE-CULBUTEURS ARRIERE |
| 37/28 | TERMOSTATO E CARÇAÇA | THERMOSTAT AND HOUSING | TERMOSTATO Y CÁRTER | THERMOSTAT ET CARTER |
| 38/77 | COLETOR DE ADMISSÃO | INDUCTION MANIFOLD | MÚLTIPLE DE ADMISIÓN | COLLECTEUR D'ADMISSION |
| 39/176 | BOMBA INJETORA COMBUSTÍVEL | FUEL INJECTION PUMP | BOMBA INYECTORA COMBUSTIBLE | POMPE D'INJEC. / COMBUST. |
| 40/01 | SISTEMA AUXILIAR PARTIDA | COLD WEATHER STARTING AID | SIST. AUXILIAR DE ARRANQUE | THERMOSTART |
| 41/19 | COLETOR DE ESCAPE | EXHAUST MANIFOLD | MÚLTIPLE DE ESCAPE | COLLECTEUR D'ÉCHAPPEMENT |
| 42/94 | BOMBA ALIMENTADORA E FILTRO ÓLEO COMBUSTÍVEL | FUEL LIFT PUMP AND FUEL OIL FILTER | BOMBA DE ALIMENTACIÓN Y FILTROS ACEITE COMBUSTIBLE | POMPE D'ALIMENTATION ET FILTRE À HUILE COMBUSTIBLE |
| 43/56 | TOMADA P/ MANÔMETRO ÓLEO | OIL PRESS GAUGE FITTING | TOMA P/ MANÓMETRO ACEITE | PRISE P/ MANOMETRE D'HUILE |
| 44/128 | TOMADA POTÊNCIA | POWER TAKE-OFF | TOMA DE POTENCIA | PRISE DE PUISSANCE |
| 45/.. | CARÇAÇA DO VOLANTE | FLYWHEEL HOUSING | CARTER DEL VOLANTE | CARTER DU VOLANT |
| 46/26 | MOTOR DE PARTIDA | STARTER MOTOR | MOTOR DE ARRANQUE | DÉMARREUR |
| 47/18 | ACIONAMENTO DO TAQUÍMETRO | TACHOMETER DRIVE | MANDO DEL TAQUÍMETRO | COMMANDE DU COMPTE-TOURS |
| 48/80 | TUBO INJEÇÃO / INJETORES | FUEL INJECTION SYSTEM | EQUIPO DE INYECCIÓN | SYSTEME D'INJECTION |
| 49/.. | CONEXÃO ENTRADA D'ÁGUA | WATER INLET CONNECTION | CONEXIÓN ENTRADA D'ÁGUA | RACCORD D'ENTRÉE D'EAU |
| 50/.. | ALTERNADOR E CORREIA | ALTERNATOR AND BELT | ALTERNADOR Y CORREA | ALTERNATEUR ET COURROIE |
| 52/98 | ÍTENS DE INSTALAÇÃO | FITTING ITEMS | PIEZAS DE INSTALACIÓN | ARTICLES D'INSTALLATION |
| 53/14 | RESPIRO DO MOTOR | ENGINEER BREATHER | RESPIRADERO DEL MOTOR | RENIFLARD DU MOTEUR |
| 54/.. | FILTRO DE AR | AIR CLEANER | FILTRO DE AIRE | FILTRE À AIR |
| 55/.. | VOLANTE E CREMALHEIRA | FLYWHEEL AND STARTER RING | VOLANTE Y CORONA | VOLANT ET COURONNE |
| 56/69 | BOMBA D'ÁGUA | WATER PUMP | BOMBA DE ÁGUA | POMPE À EAU |
| ACESSÓRIOS | | ACCESSORIES | ACESSORIOS | ACCESSOIRES |
| 71/.. | SUORTE DO MOTOR | ENGINE SUPPORTS | SOPORTES DEL MOTOR | SUPPORTS DU MOTEUR |
| 72/.. | SISTEMA DE ARREFECIMENTO | COOLING SYSTEM | SISTEMA DE ENFRIAMIENTO | SYSTEME REFROIDISSEMENT |
| 73/19 | CONTROLES | CONTROLS | CONTROLES | CONTRÔLES |
| 74/.. | SISTEMA DE ESCAPE | EXHAUST SYSTEM | SISTEMA DE ESCAPE | SYSTEME D'ÉCHAPPEMENT |
| 75/19 | SISTEMA DE COMBUSTÍVEL | FUEL SYSTEM | SISTEMA DE COMBUSTIBLE | SYSTEME D'COMBUSTIBLE |
| 76/.. | SISTEMA DE ADMISSÃO | INDUCTION SYSTEM | SISTEMA DE ADMISIÓN | SYSTEME D'ADMISSION |
| 77/.. | PAINEL DE INSTRUMENTOS | INSTRUMENT PANEL | TABLERO DE INSTRUMENTOS | TABLEAU DE BORD |
| 78/.. | SISTEMA ELÉTRICO | ELECTRICAL SYSTEM | SISTEMA ELÉCTRICO | SYSTEME ÉLECTRIQUE |
| JOGO DE JUNTAS | | JOINT SETS | JUEGOS DE JUNTAS | JEUX DE JOINTS |
| 00/42 | JOGO DE JUNTAS CABEÇOTE | TOP OVERHAUL | JUEGO DE JUNTAS CULATA | JEU DE JOINTS CULASSE |
| 00/17 | JOGO DE JUNTAS BLOCO | BOTTOM OVERHAUL | JUEGO DE JUNTAS BLOQUE | JEU DE JOINTS DU BLOC |
| 00/55 | JOGO DE JUNTAS BLOCO (C) | BOTTOM OVERHAUL (C) | JUEGO DE JUNTAS BLOQUE (C) | JEU DE JOINTS DU BLOC (C) |
| (A) | → 407709V | | | |
| (B) | → 407710V | | | |
| (C) | → 407725V | | | |

**ÍNDICE DE GRUPOS
GROUP INDEX
INDICE DE GRUPOS
INDEX DE GROUPES**

**MOTOR 4.236
EMPILHADEIRA
MAXION 3000**

**LISTA DE PEÇAS
PART LIST
LISTA DE PIEZAS
LISTE DE PIÉCES**

8872

| GRUPOS | UNIDADE BÁSICA Nº 296 | BASIC UNIT Nº 296 | UNIDAD BÁSICA Nº 296 | UNITÉ DE BASE Nº 296 |
|-----------------------|---|---------------------------------------|---|---|
| 11/33 | BLOCO DE CILINDROS | CYLINDER BLOCK | BLOQUE DE CILINDROS | BLOC-CYLINDRES |
| 12/16 | CAIXA DISTRIBUIÇÃO | TIMING CASE | CAJA DISTRIBUCIÓN | CARTER DISTRIBUTION |
| 13/41 | ÁRVORE DE MANIVELAS | CRANKSHAFT | CIGÜENAL | VILEBREQUIN |
| 14/21 | PISTÕES E BIELAS | PISTONS / CONNECT RODS | PISTONES Y BIELAS | PISTONS ET BIELLES |
| 15/17 | BOMBA ÓLEO LUBRIFICANTE | LUBRICATING OIL PUMP | BOMBA ACEITE LUBRICANTE | POMPE À HUILE LUBRIFIANTE |
| 17/35 | CABEÇOTE | CYLINDER HEAD | CULATA | CULASSE |
| 18/26 | VÁLVULAS BALANCEIROS | VALVES / ROCKERSHAFT | VÁLVULAS / BALANCINES | SOUPAPES / LEVIERS |
| 20/17 | RETENTOR TRASEIRO DE ÓLEO | REAR OIL SEAL | SELLO TRASERO DE ACEITE | DÉFLECTEUR D'HUILE ARR. |
| 21/09 | ÁRVORE COMANDO VÁLVULAS | CAMSHAFT | ARBOL DE LEVAS | ARBRE À CAMES |
| 22/13 | ENGRENAGENS DISTRIBUIÇÃO | IDLER GEARS | ENGRENAJES DISTRIBUCIÓN | PIGNONS DISTRIBUTION |
| COMPLEMENTOS | | | | |
| 31/144 | CARTER ÓLEO LUBRIFICANTE | LUBRICATING OIL SUMP | CARTER ACEITE LUBRICANTE | CARTER HUILE LUBRIFIANTE |
| 32/101 | POLIA ÁRVORE MANIVELAS | CRANKSHAFT PULLEY | POLEA DEL CIGÜENAL | POULIE DU VILEBREQUIN |
| 33/21 | FILTRO LUBRIF./RESFRIADOR | LUBR. OIL FILTER/COOLER | FILTRO ACEITE/REFRIGERADOR | FILTRE HUILE /REFROID |
| 34/38 | TAMPA DO CABEÇOTE | CYLINDER HEAD COVER | TAPA DE VÁLVULAS | CACHE-CULBUTEURS |
| 36/75 | TAMPA TRASEIRA CABEÇOTE | CYLINDER HEAD REAR COVER | TAPA TRASERA DE LA CULATA | CACHE-CULBUTEURS ARRIERE |
| 37/28 | TERMOSTATO E CARÇAÇA | THERMOSTAT AND HOUSING | TERMOSTATO Y CÁRTER | THERMOSTAT ET CARTER |
| 38/77 | COLETOR DE ADMISSÃO | INDUCTION MANIFOLD | MÚLTIPLE DE ADMISIÓN | COLLECTEUR D'ADMISSION |
| 39/176 | BOMBA INJETORA COMBUSTÍVEL | FUEL INJECTION PUMP | BOMBA INYECTORA COMBUSTIBLE | POMPE D'INJEC. / COMBUST. |
| 40/01 | SISTEMA AUXILIAR PARTIDA | COLD WEATHER STARTING AID | SIST. AUXILIAR DE ARRANQUE | THERMOSTART |
| 41/23 | COLETOR DE ESCAPE | EXHAUST MANIFOLD | MÚLTIPLE DE ESCAPE | COLLECTEUR D'ÉCHAPPEMENT |
| 42/177 | BOMBA ALIMENTADORA E FILTRO ÓLEO COMBUSTÍVEL | FUEL LIFT PUMP AND FUEL OIL FILTER | BOMBA DE ALIMENTACIÓN Y FILTROS ACEITE COMBUSTIBLE | POMPE D'ALIMENTATION ET FILTRE À HUILE COMBUSTIBLE |
| 43/56 | TOMADA P/ MANÔMETRO ÓLEO | OIL PRESS GAUGE FITTING | TOMA P/ MANÓMETRO ACEITE | PRISE P/ MANOMETRE D'HUILE |
| 44/128 | TOMADA POTÊNCIA | POWER TAKE-OFF | TOMA DE POTENCIA | PRISE DE PUISSANCE |
| 46/26 | MOTOR DE PARTIDA | STARTER MOTOR | MOTOR DE ARRANQUE | DÉMARREUR |
| 47/19 | ACIONAMENTO DO TAQUÍMETRO | TACHOMETER DRIVE | MANDO DEL TAQUÍMETRO | COMMANDE DU COMPTE-TOURS |
| 48/80 | TUBO INJEÇÃO / INJETORES | FUEL INJECTION SYSTEM | EQUIPO DE INYECCIÓN | SYSTEME D'INJECTION |
| 52/292 | ÍTENS DE INSTALAÇÃO | FITTING ITEMS | PIEZAS DE INSTALACIÓN | ARTICLES D'INSTALLATION |
| 53/14 | RESPIRO DO MOTOR | ENGINEER BREATHER | RESPIRADERO DEL MOTOR | RENIFLARD DU MOTEUR |
| 56/69 | BOMBA D'ÁGUA | WATER PUMP | BOMBA DE ÁGUA | POMPE À EAU |
| ACESSÓRIOS | | | | |
| 73/19 | CONTROLES | CONTROLS | CONTROLES | CONTRÔLES |
| 74/48 | SISTEMA DE ESCAPE | EXHAUST SYSTEM | SISTEMA DE ESCAPE | SYSTEME D'ÉCHAPPEMENT |
| 75/135 | SISTEMA DE COMBUSTÍVEL | FUEL SYSTEM | SISTEMA DE COMBUSTIBLE | SYSTEME D'COMBUSTIBLE |
| JOGO DE JUNTAS | | | | |
| 00/42 | JOGO DE JUNTAS CABEÇOTE | TOP OVERHAUL | JUEGO DE JUNTAS CULATA | JEU DE JOINTS CULASSE |
| 00/55 | JOGO DE JUNTAS BLOCO | BOTTOM OVERHAUL | JUEGO DE JUNTAS BLOQUE | JEU DE JOINTS DU BLOC |

**ÍNDICE DE GRUPOS
GROUP INDEX
INDICE DE GRUPOS
INDEX DE GROUPES**

**MOTOR 4.236 (A)
TRATOR AGRÍCOLA
MF 265 E**

**LISTA DE PEÇAS
PART LIST
LISTA DE PIEZAS
LISTE DE PIÉCES**

8B12

| GRUPOS | UNIDADE BÁSICA Nº 342 | BASIC UNIT Nº 342 | UNIDAD BÁSICA Nº 342 | UNITÉ DE BASE Nº 342 |
|--------|---|---|---|---|
| 11/33 | BLOCO DE CILINDROS | CYLINDER BLOCK | BLOQUE DE CILINDROS | BLOC-CYLINDRES |
| 12/16 | CAIXA DISTRIBUIÇÃO | TIMING CASE | CAJA DISTRIBUCIÓN | CARTER DISTRIBUTION |
| 13/41 | ÁRVORE DE MANIVELAS | CRANKSHAFT | CIGUENAL | VILEBREQUIN |
| 14/21 | PISTÕES E BIELAS | PISTONS / CONNECT RODS | PISTONES Y BIELAS | PISTONS ET BIELLES |
| 15/17 | BOMBA ÓLEO LUBRIFICANTE | LUBRICATING OIL PUMP | BOMBA ACEITE LUBRICANTE | POMPE À HUILE LUBRIFIANTE |
| 17/32 | CABEÇOTE | CYLINDER HEAD | CULATA | CULASSE |
| 18/42 | VÁLVULAS/BALANCEIROS | VALVES / ROCKERSHAFT | VÁLVULAS / BALANCINES | SOUPAPES / LEVIERS |
| 20/17 | RETENTOR TRASEIRO DE ÓLEO | REAR OIL SEAL | SELLO TRASERO DE ACEITE | DÉFLECTEUR D'HUILE ARR. |
| 21/19 | ÁRVORE COMANDO VÁLVULAS | CAMSHAFT | ARBOL DE LEVAS | ARBRE À CAMES |
| 22/13 | ENGRENAGENS DISTRIBUIÇÃO | IDLER GEARS | ENGRENAJES DISTRIBUCIÓN | PIGNONS DISTRIBUTION |
| | COMPLEMENTOS | COMPLEMENTS | COMPLEMENTOS | COMPLÉMENTS |
| 31/144 | CARTER ÓLEO LUBRIFICANTE (A) | LUBRICATING OIL SUMP | CARTER ACEITE LUBRICANTE | CARTER HUILE LUBRIFIANTE |
| 31/183 | CARTER ÓLEO LUBRIFICANTE (B) | LUBRICATING OIL SUMP | CARTER ACEITE LUBRICANTE | CARTER HUILE LUBRIFIANTE |
| 32/101 | POLIA ÁRVORE MANIVELAS | CRANKSHAFT PULLEY | POLEA DEL CIGÜENAL | POULIE DU VILEBREQUIN |
| 33/21 | FILTRO ÓLEO LUBRIFICANTE | LUBR. OIL FILTER | FILTRO ACEITE LUBRIFICANTE | FILTRE HUILE LUBRIFIANTE |
| 34/38 | TAMPA DO CABEÇOTE | CYLINDER HEAD COVER | TAPA DE VÁLVULAS | CACHE-CULBUTEURS |
| 35/.. | VENTILADOR | FAN | VENTILADOR | VENTILATEUR |
| 36/24 | TAMPA TRASEIRA CABEÇOTE | CYLINDER HEAD REAR COVER | TAPA TRASERA DE LA CULATA | CACHE-CULBUTEURS ARRIERE |
| 37/28 | TERMOSTATO E CARÇAÇA | THERMOSTAT AND HOUSING | TERMOSTATO Y CÁRTER | THERMOSTAT ET CARTER |
| 38/77 | COLETOR DE ADMISSÃO | INDUCTION MANIFOLD | MÚLTIPLE DE ADMISIÓN | COLLECTEUR D'ADMISSION |
| 39/240 | BOMBA INJETORA COMBUSTÍVEL | FUEL INJECTION PUMP | BOMBA INYECTORA COMBUSTIBLE | POMPE D'INJEC. / COMBUST. |
| 40/01 | SISTEMA AUXILIAR PARTIDA | COLD WEATHER STARTING AID | SIST. AUXILIAR DE ARRANQUE | THERMOSTART |
| 41/95 | COLETOR DE ESCAPE | EXHAUST MANIFOLD | MÚLTIPLE DE ESCAPE | COLLECTEUR D'ÉCHAPPEMENT |
| 42/94 | BOMBA ALIMENTADORA E FILTRO ÓLEO COMBUSTÍVEL (C) | FUEL LIFT PUMP AND FUEL OIL FILTER (C) | BOMBA DE ALIMENTACIÓN Y FILTROS ACEITE COMBUSTIBLE (C) | POMPE D'ALIMENTATION ET FILTRE À HUILE COMBUSTIBLE (C) |
| 42/271 | BOMBA ALIMENTADORA E FILTRO ÓLEO COMBUSTÍVEL (D) | FUEL LIFT PUMP AND FUEL OIL FILTER (D) | BOMBA DE ALIMENTACIÓN Y FILTROS ACEITE COMBUSTIBLE (D) | POMPE D'ALIMENTATION ET FILTRE À HUILE COMBUSTIBLE (D) |
| 43/56 | TOMADA P/ MANÔMETRO ÓLEO | OIL PRESS GAUGE FITTING | TOMA P/ MANÓMETRO ACEITE | PRISE P/ MANOMETRE D'HUILE |
| 44/128 | TOMADA POTÊNCIA | POWER TAKE-OFF | TOMA DE POTENCIA | PRISE DE PUISSANCE |
| 45/.. | CARÇAÇA DO VOLANTE | FLYWHEEL HOUSING | CARTER DEL VOLANTE | CARTER DU VOLANT |
| 46/26 | MOTOR DE PARTIDA | STARTER MOTOR | MOTOR DE ARRANQUE | DÉMARREUR |
| 47/18 | ACIONAMENTO DO TAQUÍMETRO | TACHOMETER DRIVE | MANDO DEL TAQUÍMETRO | COMMANDE DU COMPTE-TOURS |
| 48/151 | TUBO INJEÇÃO / INJETORES | FUEL INJECTION SYSTEM | EQUIPO DE INYECCIÓN | SYSTEME D'INJECTION |
| 49/.. | CONEXÃO ENTRADA D'ÁGUA | WATER INLET CONNECTION | CONEXIÓN ENTRADA D'ÁGUA | RACCORD D'ENTRÉE D'EAU |
| 50/.. | ALTERNADOR E CORREIA | ALTERNATOR AND BELT | ALTERNADOR Y CORREA | ALTERNATEUR ET COURROIE |
| 52/98 | ÍTENS DE INSTALAÇÃO | FITTING ITEMS | PIEZAS DE INSTALACIÓN | ARTICLES D'INSTALLATION |
| 53/14 | RESPIRO DO MOTOR | ENGINE BREATHER | RESPIRADERO DEL MOTOR | RENIFLARD DU MOTEUR |
| 54/.. | FILTRO DE AR | AIR CLEANER | FILTRO DE AIRE | FILTRE À AIR |
| 55/.. | VOLANTE E CREMALHEIRA | FLYWHEEL AND STARTER RING | VOLANTE Y CORONA | VOLANT ET COURONNE |
| 56/69 | BOMBA D'ÁGUA | WATER PUMP | BOMBA DE ÁGUA | POMPE À EAU |
| | ACESSÓRIOS | ACCESSORIES | ACESSORIOS | ACCESSOIRES |
| 71/.. | SUPORTE DO MOTOR | ENGINE SUPPORTS | SOPORTES DEL MOTOR | SUPPORTS DU MOTEUR |
| 72/.. | SISTEMA DE ARREFECIMENTO | COOLING SYSTEM | SISTEMA DE ENFRIAMIENTO | SYSTEME REFROIDISSEMENT |
| 73/19 | CONTROLES | CONTROLS | CONTROLES | CONTRÔLES |
| 74/.. | SISTEMA DE ESCAPE | EXHAUST SYSTEM | SISTEMA DE ESCAPE | SYSTEME D'ÉCHAPPEMENT |
| 75/19 | SISTEMA DE COMBUSTÍVEL | FUEL SYSTEM | SISTEMA DE COMBUSTIBLE | SYSTEME D'COMBUSTIBLE |
| 76/.. | SISTEMA DE ADMISSÃO | INDUCTION SYSTEM | SISTEMA DE ADMISIÓN | SYSTEME D'ADMISSION |
| 77/.. | PAINEL DE INSTRUMENTOS | INSTRUMENT PANEL | TABLERO DE INSTRUMENTOS | TABEAU DE BORD |
| 78/.. | SISTEMA ELÉTRICO | ELECTRICAL SYSTEM | SISTEMA ELÉCTRICO | SYSTEME ÉLECTRIQUE |
| | JOGO DE JUNTAS | JOINT SETS | JUEGOS DE JUNTAS | JEUX DE JOINTS |
| 00/42 | JOGO DE JUNTAS CABEÇOTE | TOP OVERHAUL | JUEGO DE JUNTAS CULATA | JEU DE JOINTS CULASSE |
| 00/55 | JOGO DE JUNTAS BLOCO | BOTTOM OVERHAUL | JUEGO DE JUNTAS BLOQUE | JEU DE JOINTS DU BLOC |

- (A) → 603005E
 (B) → 603006E
 (C) → 624770G
 (D) → 624771G

**ÍNDICE DE GRUPOS
GROUP INDEX
INDICE DE GRUPOS
INDEX DE GROUPES**

**MOTOR 4.236 (A)
TRATOR AGRÍCOLA
MF 275**

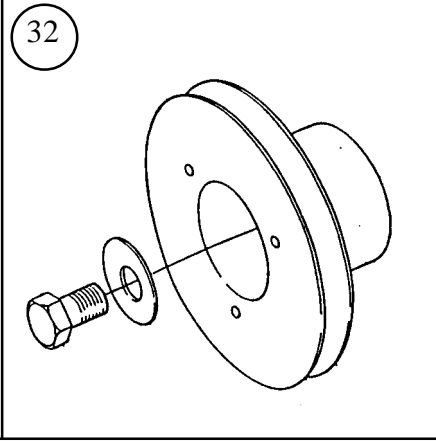
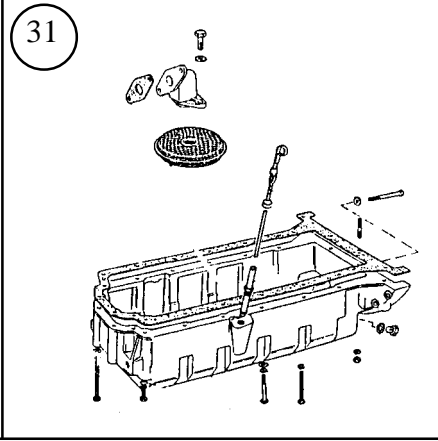
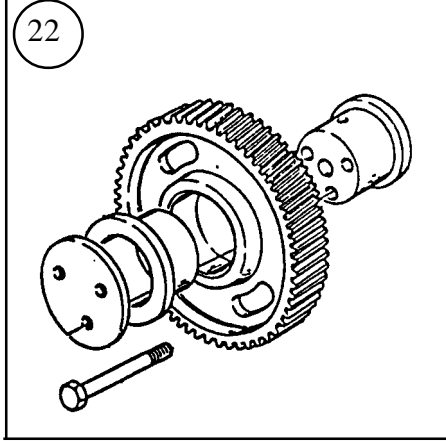
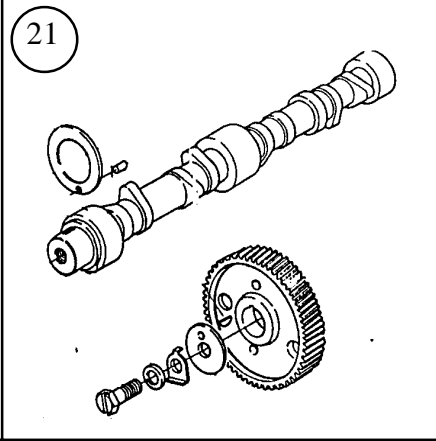
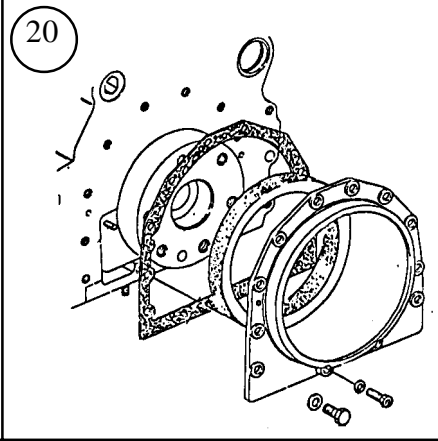
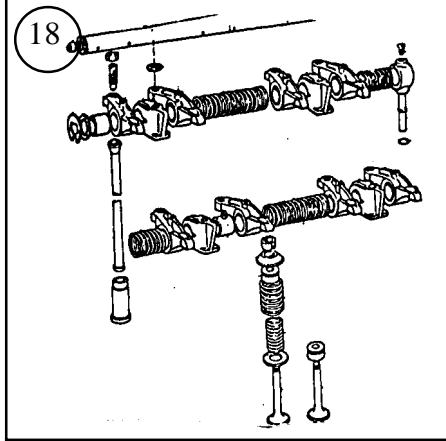
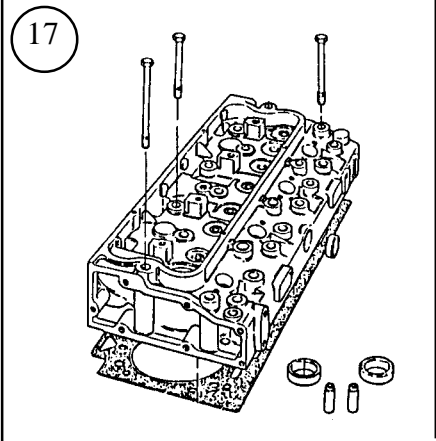
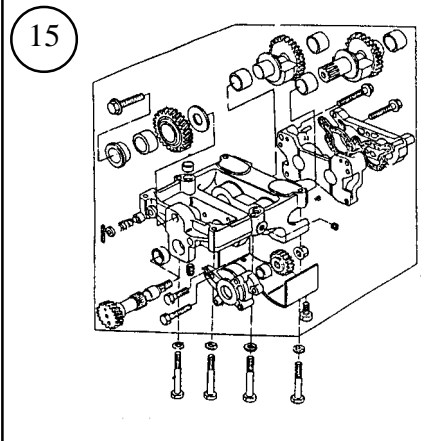
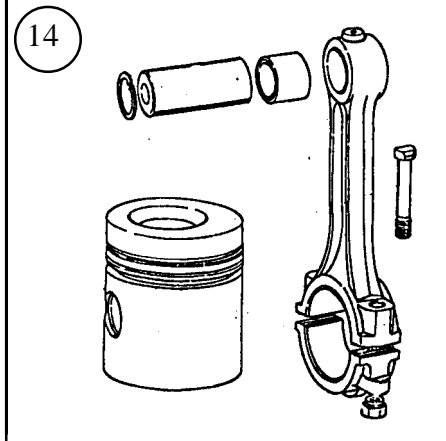
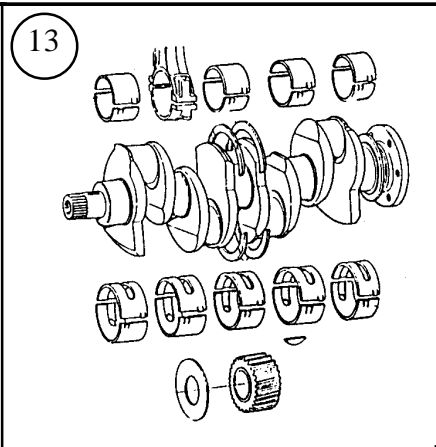
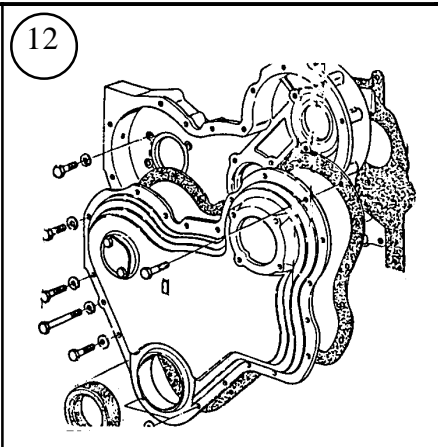
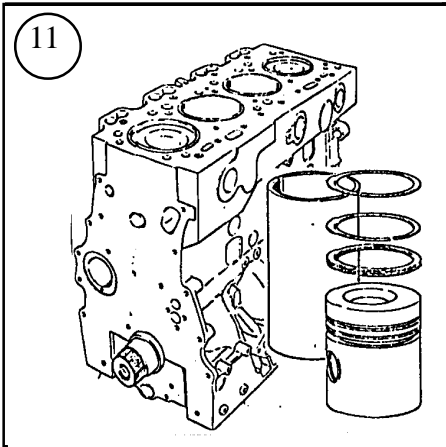
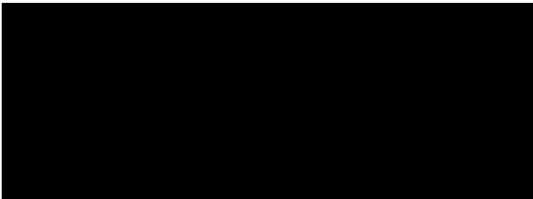
**LISTA DE PEÇAS
PART LIST
LISTA DE PIEZAS
LISTE DE PIÉCES**

8B13

| GRUPOS | UNIDADE BÁSICA Nº 342 | BASIC UNIT Nº 342 | UNIDAD BÁSICA Nº 342 | UNITÉ DE BASE Nº 342 |
|-----------------------|------------------------------|---------------------------|--------------------------------|--------------------------------|
| 11/33 | BLOCO DE CILINDROS | CYLINDER BLOCK | BLOQUE DE CILINDROS | BLOC-CYLINDRES |
| 12/16 | CAIXA DISTRIBUIÇÃO | TIMING CASE | CAJA DISTRIBUCIÓN | CARTER DISTRIBUTION |
| 13/41 | ÁRVORE DE MANIVELAS | CRANKSHAFT | CIGUENAL | VILEBREQUIN |
| 14/21 | PISTÕES E BIELAS | PISTONS / CONNECT RODS | PISTONES Y BIELAS | PISTONS ET BIELLES |
| 15/17 | BOMBA ÓLEO LUBRIFICANTE | LUBRICATING OIL PUMP | BOMBA ACEITE LUBRICANTE | POMPE À HUILE LUBRIFIANTE |
| 17/32 | CABEÇOTE | CYLINDER HEAD | CULATA | CULASSE |
| 18/42 | VÁLVULAS/BALANCEIROS | VALVES / ROCKERSHAFT | VÁLVULAS / BALANCINES | SOUPAPES / LEVIERS |
| 20/17 | RETENTOR TRASEIRO DE ÓLEO | REAR OIL SEAL | SELLO TRASERO DE ACEITE | DÉFLECTEUR D'HUILE ARR. |
| 21/19 | ÁRVORE COMANDO VÁLVULAS | CAMSHAFT | ARBOL DE LEVAS | ARBRE À CAMES |
| 22/13 | ENGRENAGENS DISTRIBUIÇÃO | IDLER GEARS | ENGRENAJES DISTRIBUCIÓN | PIGNONS DISTRIBUTION |
| COMPLEMENTOS | | | | |
| 31/144 | CARTER ÓLEO LUBRIFICANTE (A) | LUBRICATING OIL SUMP | CARTER ACEITE LUBRICANTE | CARTER HUILE LUBRIFIANTE |
| 31/183 | CARTER ÓLEO LUBRIFICANTE (B) | LUBRICATING OIL SUMP | CARTER ACEITE LUBRICANTE | CARTER HUILE LUBRIFIANTE |
| 32/101 | POLIA ÁRVORE MANIVELAS | CRANKSHAFT PULLEY | POLEA DEL CIGÜENAL | POULIE DU VILEBREQUIN |
| 33/21 | FILTRO ÓLEO LUBRIFICANTE | LUBR. OIL FILTER | FILTRO ACEITE LUBRIFICANTE | FILTRE HUILE LUBRIFIANTE |
| 34/38 | TAMPA DO CABEÇOTE | CYLINDER HEAD COVER | TAPA DE VÁLVULAS | CACHE-CULBUTEURS |
| 35/.. | VENTILADOR | FAN | VENTILADOR | VENTILATEUR |
| 36/24 | TAMPA TRASEIRA CABEÇOTE | CYLINDER HEAD REAR COVER | TAPA TRASERA DE LA CULATA | CACHE-CULBUTEURS ARRIERE |
| 37/28 | TERMOSTATO E CARÇAÇA | THERMOSTAT AND HOUSING | TERMOSTATO Y CÁRTER | THERMOSTAT ET CARTER |
| 38/77 | COLETOR DE ADMISSÃO | INDUCTION MANIFOLD | INDUCTION DE ADMISIÓN | COLLECTEUR D'ADMISSION |
| 39/240 | BOMBA INJETORA COMBUSTÍVEL | FUEL INJECTION PUMP | BOMBA INYECTORA COMBUSTIBLE | POMPE D'INJEC. / COMBUST. |
| 40/01 | SISTEMA AUXILIAR PARTIDA | COLD WEATHER STARTING AID | SIST. AUXILIAR DE ARRANQUE | THERMOSTART |
| 41/95 | COLETOR DE ESCAPE | EXHAUST MANIFOLD | MÚLTIPLE DE ESCAPE | COLLECTEUR D'ÉCHAPPEMENT |
| 42/94 | BOMBA ALIMENTADORA E | FUEL LIFT PUMP AND | BOMBA DE ALIMENTACIÓN Y | POMPE D'ALIMENTATION ET |
| | FILTRO ÓLEO COMBUSTÍVEL (C) | FUEL OIL FILTER (C) | FILTROS ACEITE COMBUSTIBLE (C) | FILTRE À HUILE COMBUSTIBLE (C) |
| 42/271 | BOMBA ALIMENTADORA E | FUEL LIFT PUMP AND | BOMBA DE ALIMENTACIÓN Y | POMPE D'ALIMENTATION ET |
| | FILTRO ÓLEO COMBUSTÍVEL (D) | FUEL OIL FILTER (D) | FILTROS ACEITE COMBUSTIBLE (D) | FILTRE À HUILE COMBUSTIBLE (D) |
| 43/56 | TOMADA P/ MANÓMETRO ÓLEO | OIL PRESS GAUGE FITTING | TOMA P/ MANÓMETRO ACEITE | PRISE P/ MANOMETRE D'HUILE |
| 44/128 | TOMADA POTÊNCIA | POWER TAKE-OFF | TOMA DE POTENCIA | PRISE DE PUISSANCE |
| 45/.. | CARÇAÇA DO VOLANTE | FLYWHEEL HOUSING | CARTER DEL VOLANTE | CARTER DU VOLANT |
| 46/26 | MOTOR DE PARTIDA | STARTER MOTOR | MOTOR DE ARRANQUE | DÉMARREUR |
| 47/18 | ACIONAMENTO DO TAQUÍMETRO | TACHOMETER DRIVE | MANDO DEL TAQUÍMETRO | COMMANDE DU COMPTE-TOURS |
| 48/151 | TUBO INJEÇÃO / INJETORES | FUEL INJECTION SYSTEM | EQUIPO DE INYECCIÓN | SYSTEME D'INJECTION |
| 49/.. | CONEXÃO ENTRADA D'ÁGUA | WATER INLET CONNECTION | CONEXIÓN ENTRADA D'ÁGUA | RACCORD D'ENTRÉE D'EAU |
| 50/.. | ALTERNADOR E CORREIA | ALTERNATOR AND BELT | ALTERNADOR Y CORREA | ALTERNATEUR ET COURROIE |
| 52/98 | ÍTENS DE INSTALAÇÃO | FITTING ITEMS | PIEZAS DE INSTALACIÓN | ARTICLES D'INSTALLATION |
| 53/14 | RESPIRO DO MOTOR | ENGINE BREATHER | RESPIRADERO DEL MOTOR | RENIFLARD DU MOTEUR |
| 54/.. | FILTRO DE AR | AIR CLEANER | FILTRO DE AIRE | FILTRE À AIR |
| 55/.. | VOLANTE E CREMALHEIRA | FLYWHEEL AND STARTER RING | VOLANTE Y CORONA | VOLANT ET COURONNE |
| 56/69 | BOMBA D'ÁGUA | WATER PUMP | BOMBA DE ÁGUA | POMPE À EAU |
| ACESSÓRIOS | | | | |
| 71/.. | SUPORTE DO MOTOR | ENGINE SUPPORTS | SOPORTES DEL MOTOR | SUPPORTS DU MOTEUR |
| 72/.. | SISTEMA DE ARREFECIMENTO | COOLING SYSTEM | SISTEMA DE ENFRIAMIENTO | SYSTEME REFROIDISSEMENT |
| 73/19 | CONTROLES | CONTROLS | CONTROLES | CONTRÔLES |
| 74/.. | SISTEMA DE ESCAPE | EXHAUST SYSTEM | SISTEMA DE ESCAPE | SYSTEME D'ÉCHAPPEMENT |
| 75/19 | SISTEMA DE COMBUSTÍVEL | FUEL SYSTEM | SISTEMA DE COMBUSTIBLE | SYSTEME D'COMBUSTIBLE |
| 76/.. | SISTEMA DE ADMISSÃO | INDUCTION SYSTEM | SISTEMA DE ADMISIÓN | SYSTEME D'ADMISSION |
| 77/.. | PAINEL DE INSTRUMENTOS | INSTRUMENT PANEL | TABLERO DE INSTRUMENTOS | TABEAU DE BORD |
| 78/.. | SISTEMA ELÉTRICO | ELECTRICAL SYSTEM | SISTEMA ELÉCTRICO | SYSTEME ÉLECTRIQUE |
| JOGO DE JUNTAS | | | | |
| 00/42 | JOGO DE JUNTAS CABEÇOTE | TOP OVERHAUL | JUEGO DE JUNTAS CULATA | JEU DE JOINTS CULASSE |
| 00/55 | JOGO DE JUNTAS BLOCO | BOTTOM OVERHAUL | JUEGO DE JUNTAS BLOQUE | JEU DE JOINTS DU BLOC |
| (A) | → 603005E | | | |
| (B) | → 603006E | | | |
| (C) | → 624770G | | | |
| (D) | → 624771G | | | |

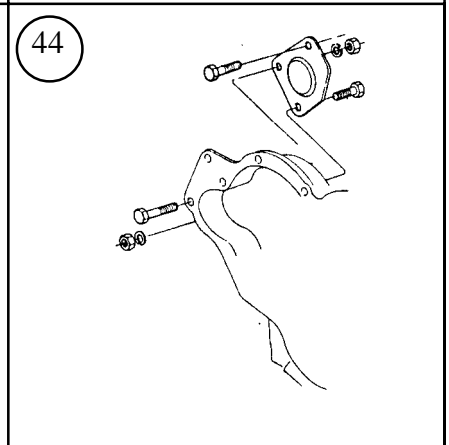
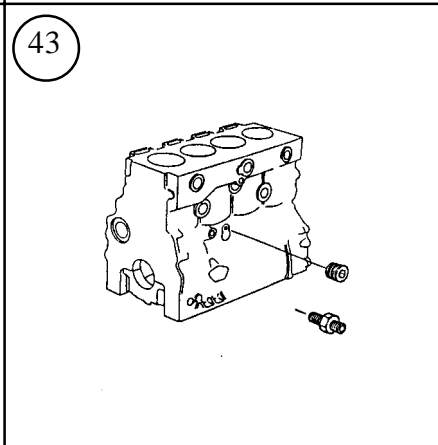
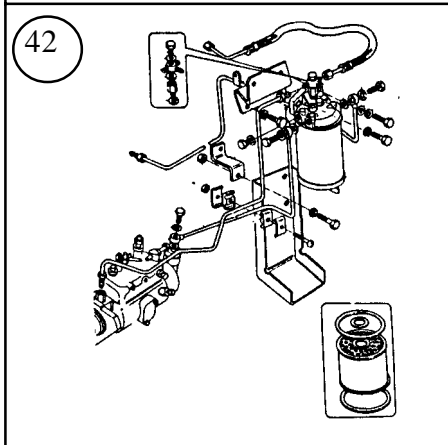
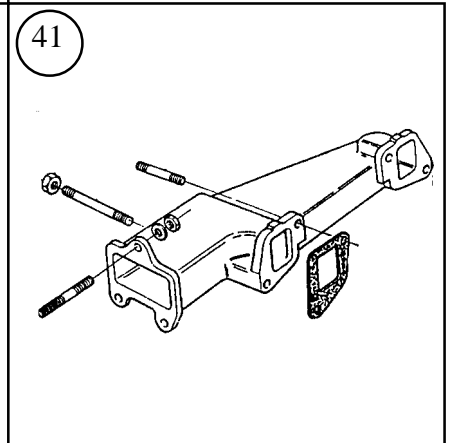
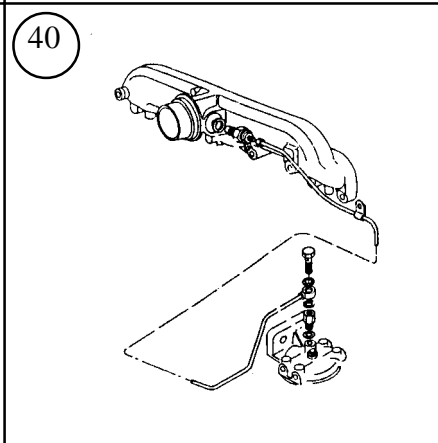
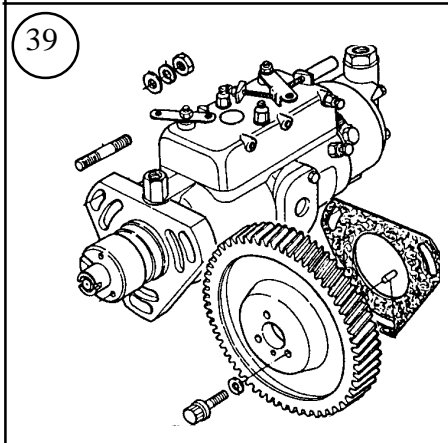
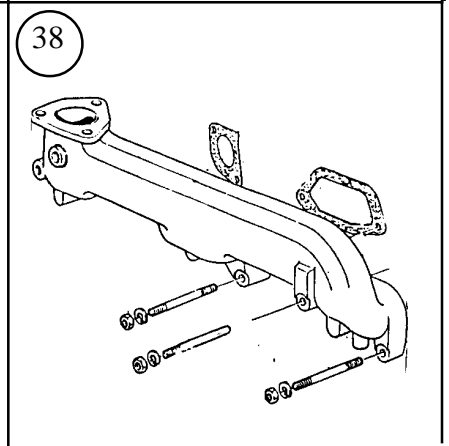
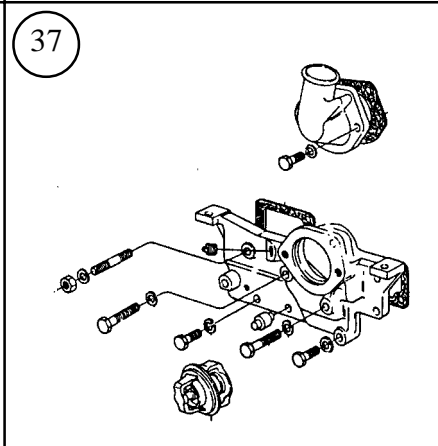
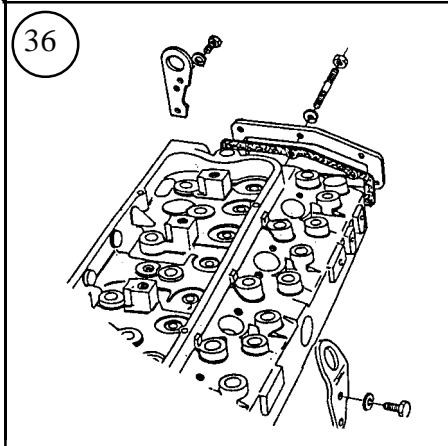
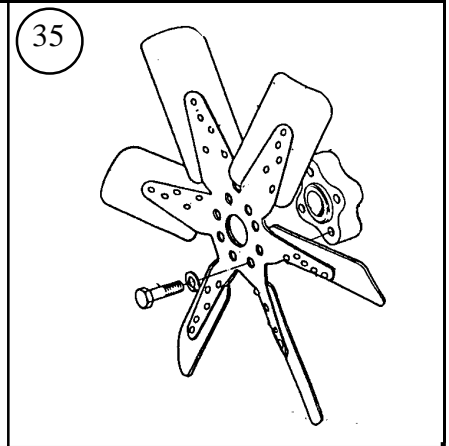
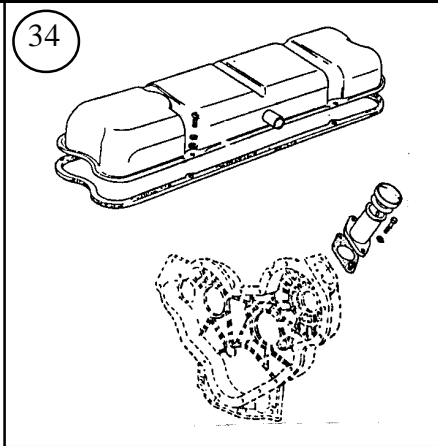
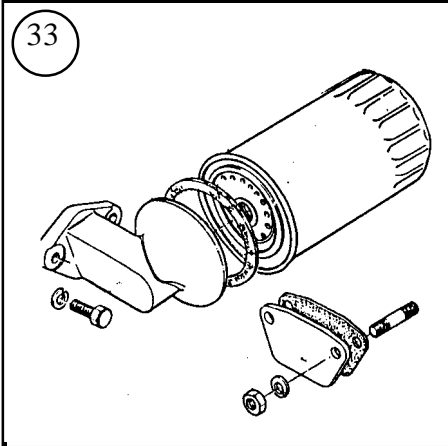
ÍNDICE DE GRUPOS
GROUP INDEX
ÍNDICE DE GRUPOS
INDEX DE GROUPES

4.236
T4.236
4.248



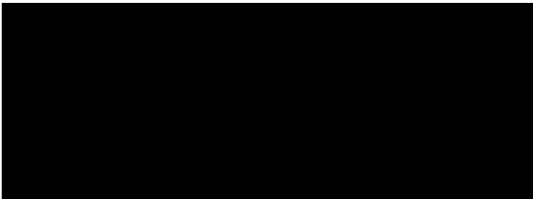
ÍNDICE DE GRUPOS
GROUP INDEX
ÍNDICE DE GRUPOS
INDEX DE GROUPES

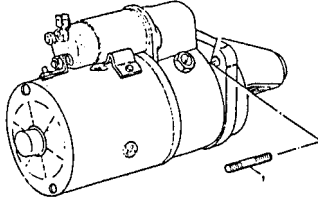
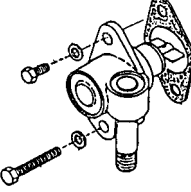
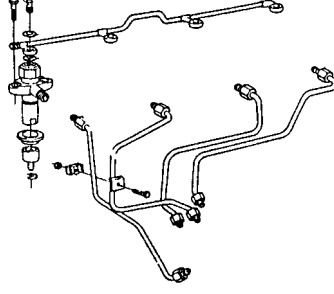
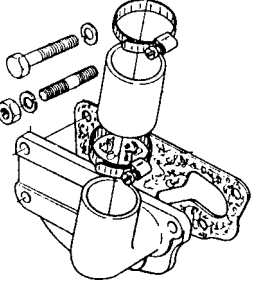
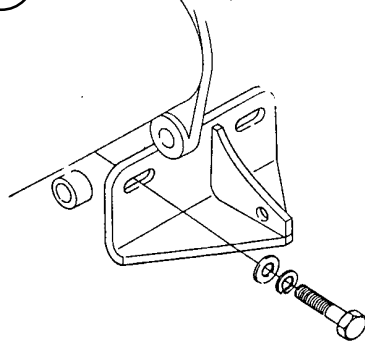
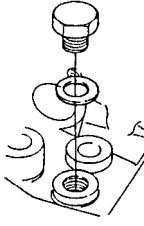
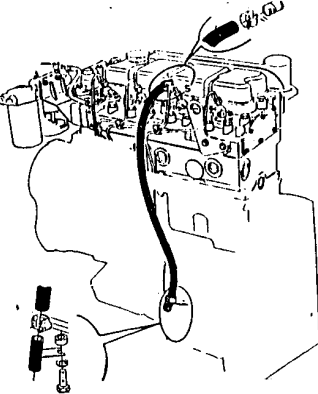
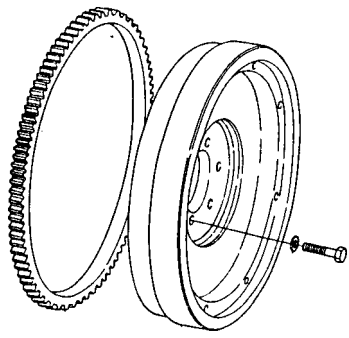
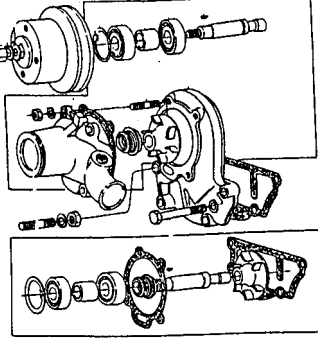
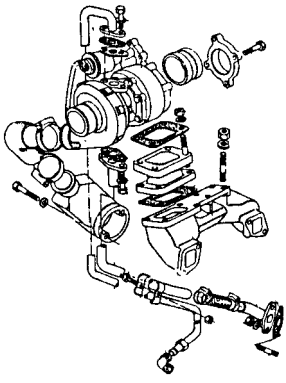
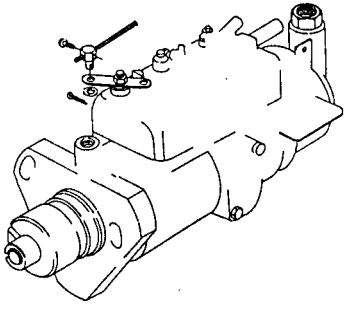
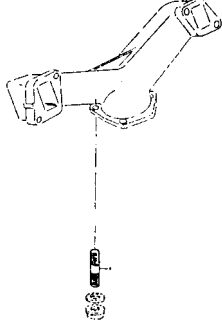
4.236
T4.236
4.248



ÍNDICE DE GRUPOS
GROUP INDEX
ÍNDICE DE GRUPOS
INDEX DE GROUPES

4.236
T4.236
4.248

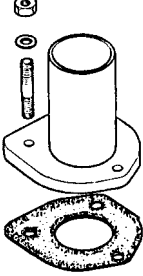
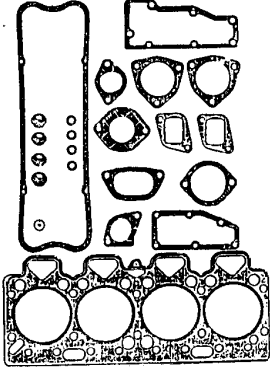
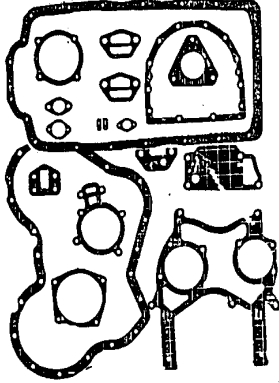


| | | |
|---|--|---|
| <p>46</p>  | <p>47</p>  | <p>48</p>  |
| <p>49</p>  | <p>50</p>  | <p>52</p>  |
| <p>53</p>  | <p>55</p>  | <p>56</p>  |
| <p>58</p>  | <p>73</p>  | <p>74</p>  |

ÍNDICE DE GRUPOS
GROUP INDEX
ÍNDICE DE GRUPOS
INDEX DE GROUPES

4.236
T4.236
4.248

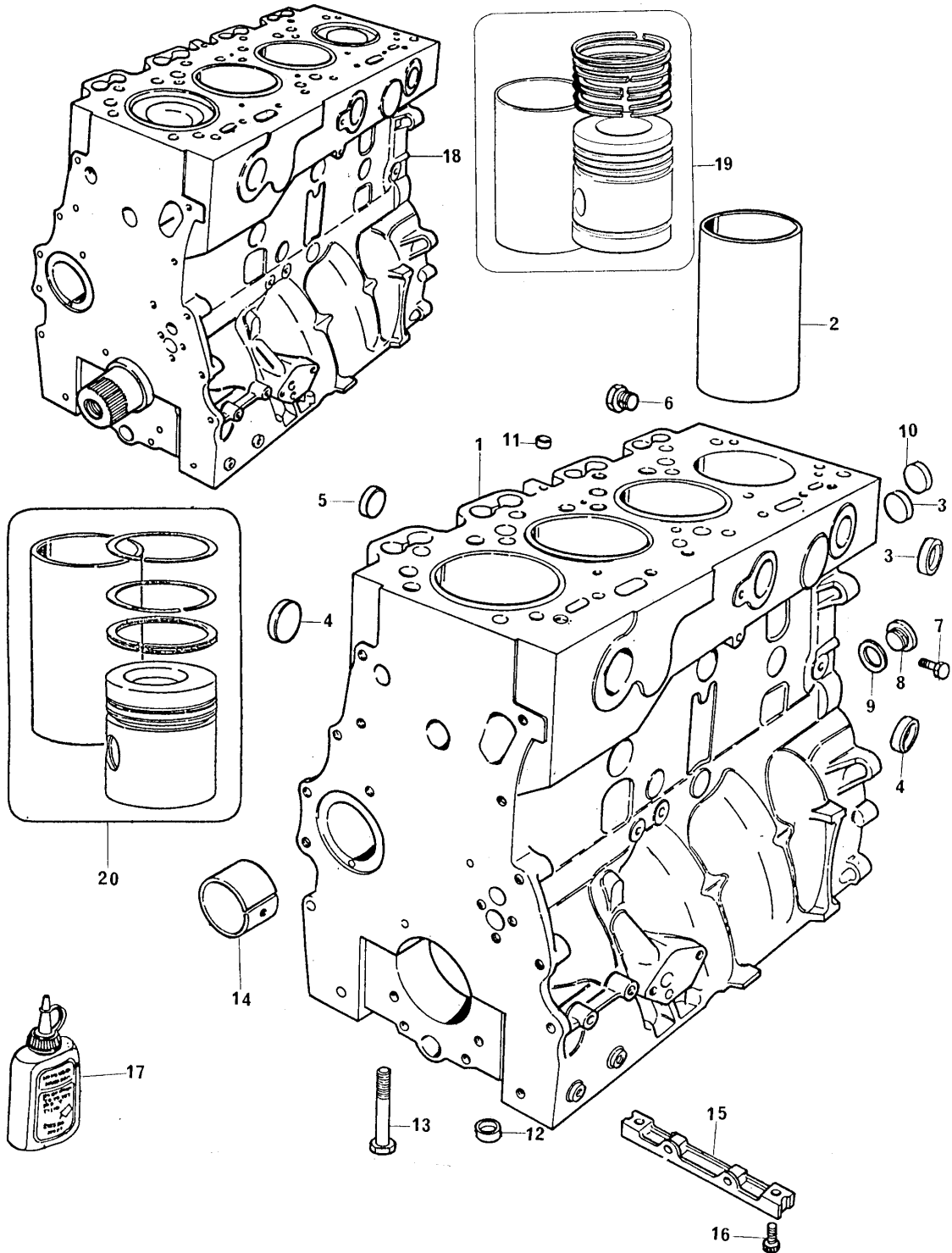


| | | |
|---|---|---|
| <p>75</p>  | <p>00</p>  | <p>00</p>  |
| | | |
| | | |
| | | |

BLOCO DE CILINDROS
CYLINDER BLOCK
BLOQUE DE CILINDROS
BLOC-CYLINDRES

GRUPO
GROUP
GRUPO
GRUPO
GROUPE

11/33



BLOCO DE CILINDROS
CYLINDER BLOCK
BLOQUE DE CILINDROS
BLOC-CYLINDRES

GRUPO
GROUP
GRUPO
GROUPE

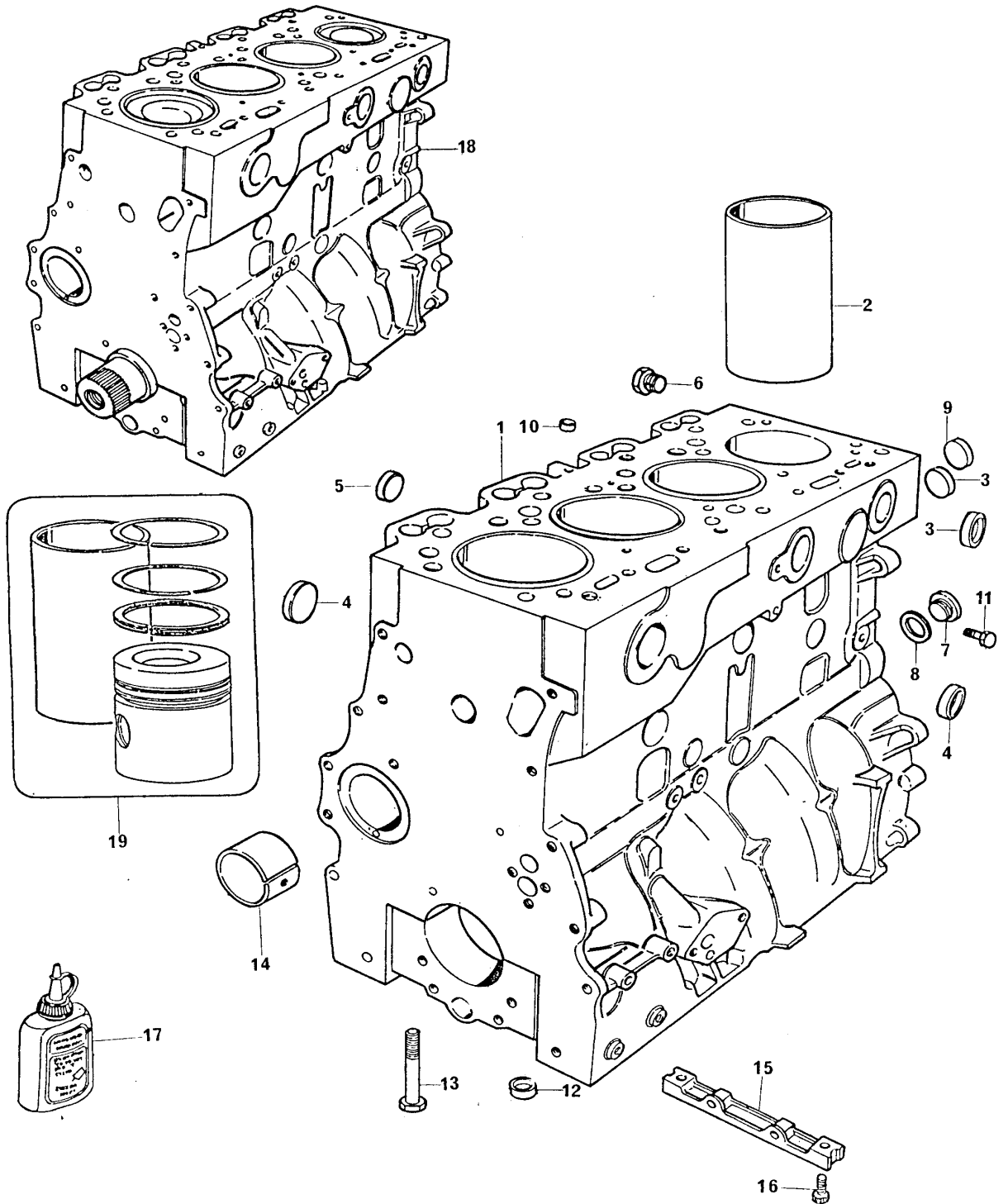
11/33

| | | | | | | | |
|----|----------|----|----------|---------------------|-----------------|---------------|-----------------|
| 1 | 4236188 | | 603005E | 1 BLOCO CILINDROS | CYLINDER BLOCK | BLOQUE | BLOC-CYLINDRES |
| 1 | 4236279 | | 603006E | 1 BLOCO CILINDROS | CYLINDER BLOCK | BLOQUE | BLOC-CYLINDRES |
| 2 | 31358393 | | 523617A | X CAMISA | LINER | CAMISA | CHEMISE |
| 2 | 70530028 | 1 | 523618A | 4 CAMISA | LINER | CAMISA | CHEMISE |
| 3 | 70650075 | 1 | | 8 BUJÃO | PLUG | TAPÓN | BOUCHON |
| 4 | 70650077 | 1 | | 4 BUJÃO | PLUG | TAPÓN | BOUCHON |
| 5 | 70650076 | 1 | | 4 BUJÃO | PLUG | TAPÓN | BOUCHON |
| 6 | 70650083 | 1 | 70650014 | 1 BUJÃO | PLUG | TAPÓN | BOUCHON |
| 7 | 70650109 | 1 | | 1 BUJÃO | PLUG | TAPÓN | BOUCHON |
| 8 | 0650582 | 1 | | 1 BUJÃO | PLUG | TAPÓN | BOUCHON |
| 9 | 70920065 | 1 | | 1 ARRUELA | WASHER | ARANDELA | RONDELLE |
| 10 | 70650068 | 1 | | 1 BUJÃO | PLUG | TAPÓN | BOUCHON |
| 11 | 70650079 | 1 | | 1 BUJÃO | PLUG | TAPÓN | BOUCHON |
| 12 | 33142111 | 1 | | 10 ANEL LOCALIZADOR | THIMBLE | GUIA | BAGUE |
| 13 | 32166329 | 1 | | 10 PARAFUSO | BOLT | TORNILLO | VIS |
| 14 | 70998033 | 1 | | 1 BUCHA | BUSH | BUJE | BAGUE |
| 15 | 3627P011 | | 603005E | 1 PLACA | PLATE | PLACA | PLAQUE |
| 15 | 3627P013 | | 603006E | 1 PLACA | PLATE | PLACA | PLAQUE |
| 16 | 2172514 | | 70740062 | 2 PARAFUSO | BOLT | TORNILLO | VIS |
| 17 | 70490279 | | | 1 JUNTA PLÁSTICA | GASKET | JUNTA | JOINT |
| 18 | 4236226 | | 603005E | 1 MOTOR PARCIAL | SHORT ENGINE | MOTOR PARCIAL | MOTEUR PARTIEL |
| 18 | 4236278 | | 603006E | 1 MOTOR PARCIAL | SHORT ENGINE | MOTOR PARCIAL | MOTEUR PARTIEL |
| | 4236188 | 18 | | 1 BLOCO | BLOCK | BLOQUE | BLOC |
| | S4004 | 18 | 424827 | 1 ÁRVORE MANIVELAS | CRANKSHAFT ASSY | CIGUEÑAL | VILEBREQUIN |
| | 70998044 | 18 | 423646 | 4 PISTÃO | PISTON | PISTÓN | PISTON |
| | 424804 | 18 | | 4 BIELA | CONNECTING ROD | BIELA | BIELLE |
| | 4236151 | 18 | | 4 JOGO DE ANÉIS | RING KIT | JUEGO DE AROS | JEU DE SEGMENTS |
| 19 | 4236141 | | | 1 JOGO | KIT | JUEGO | JEU |
| 20 | 4236143 | | 523617A | 1 JOGO | KIT | JUEGO | JEU |
| 20 | 4236247 | | 523618A | 1 JOGO | KIT | JUEGO | JEU |

BLOCO DE CILINDROS
CYLINDER BLOCK
BLOQUE DE CILINDROS
BLOC-CYLINDRES

GRUPO
GROUP
GRUPO
GROUPE

11/36



BLOCO DE CILINDROS
CYLINDER BLOCK
BLOQUE DE CILINDROS
BLOC-CYLINDRES

GRUPO
GROUP
GRUPO
GROUPE

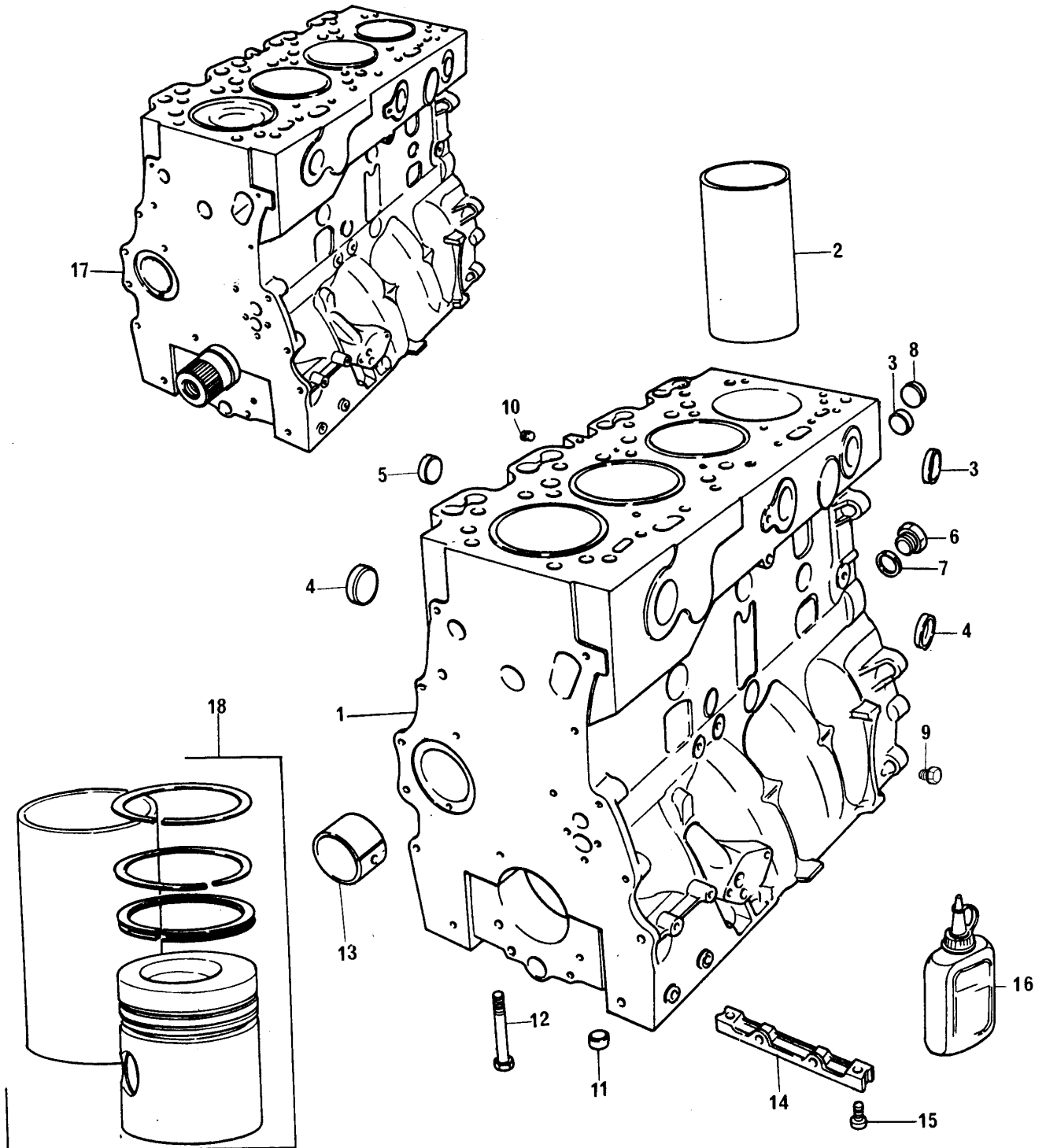
11/36

| | | | | | | | |
|----|----------|----|----|------------------|-----------------|---------------|-----------------|
| 1 | 424865 | | 1 | BLOCO CILINDROS | CYLINDER BLOCK | BLOQUE | BLOC-CYLINDRES |
| 2 | 31358391 | 1 | 4 | CAMISA | LINER | CAMISA | CHEMISE |
| 3 | 70650075 | 1 | 8 | BUJÃO | PLUG | TAPÓN | BOUCHON |
| 4 | 70650077 | 1 | 4 | BUJÃO | PLUG | TAPÓN | BOUCHON |
| 5 | 70650076 | 1 | 4 | BUJÃO | PLUG | TAPÓN | BOUCHON |
| 6 | 70650083 | 1 | 1 | BUJÃO | PLUG | TAPÓN | BOUCHON |
| 7 | 0650582 | 1 | 1 | BUJÃO | PLUG | TAPÓN | BOUCHON |
| 8 | 70920065 | 1 | 1 | ARRUELA | WASHER | ARANDELA | RONDELLE |
| 9 | 70650068 | 1 | 1 | BUJÃO | PLUG | TAPÓN | BOUCHON |
| 10 | 70650079 | 1 | 1 | BUJÃO | PLUG | TAPÓN | BOUCHON |
| 11 | 70650109 | 1 | 1 | BUJÃO | PLUG | TAPÓN | BOUCHON |
| 12 | 33142111 | 1 | 10 | ANEL LOCALIZADOR | THIMBLE | GUIA | BAGUE |
| 13 | 32166329 | 1 | 10 | PARAFUSO | BOLT | TORNILLO | VIS |
| 14 | 70998033 | 1 | 1 | BUCHA | BUSH | BUJE | BAGUE |
| 15 | 3627P011 | | 1 | PLACA | PLATE | PLACA | PLAQUE |
| 16 | 2172514 | 1 | 2 | PARAFUSO | BOLT | TORNILLO | VIS |
| 17 | 70490279 | | 1 | JUNTA PLÁSTICA | GASKET | JUNTA | JOINT |
| 18 | 424836 | | 1 | MOTOR PARCIAL | SHORT ENGINE | MOTOR PARCIAL | MOTEUR PARTIEL |
| | 424865 | 18 | 1 | BLOCO | BLOCK | BLOQUE | BLOC |
| | S4004 | 18 | 1 | ÁRVORE MANIVELAS | CRANKSHAFT ASSY | CIGUEÑAL | VILEBREQUIN |
| | 424845 | 18 | 4 | PISTÃO | PISTON | PISTÓN | PISTON |
| | 424843 | 18 | 4 | JOGO DE ANÉIS | RING KIT | JUEGO DE AROS | JEU DE SEGMENTS |
| | 424804 | 18 | 4 | BIELA | CONNECTING ROD | BIELA | BIELLE |
| 19 | 424858 | | 1 | JOGO | KIT | JUEGO | JEU |

BLOCO DE CILINDROS
CYLINDER BLOCK
BLOQUE DE CILINDROS
BLOC-CYLINDRES

GRUPO
GROUP
GRUPO
GROUPE









11/58



BLOCO DE CILINDROS
CYLINDER BLOCK
BLOQUE DE CILINDROS
BLOC-CYLINDRES

GRUPO
GROUP
GRUPO
GRUPE

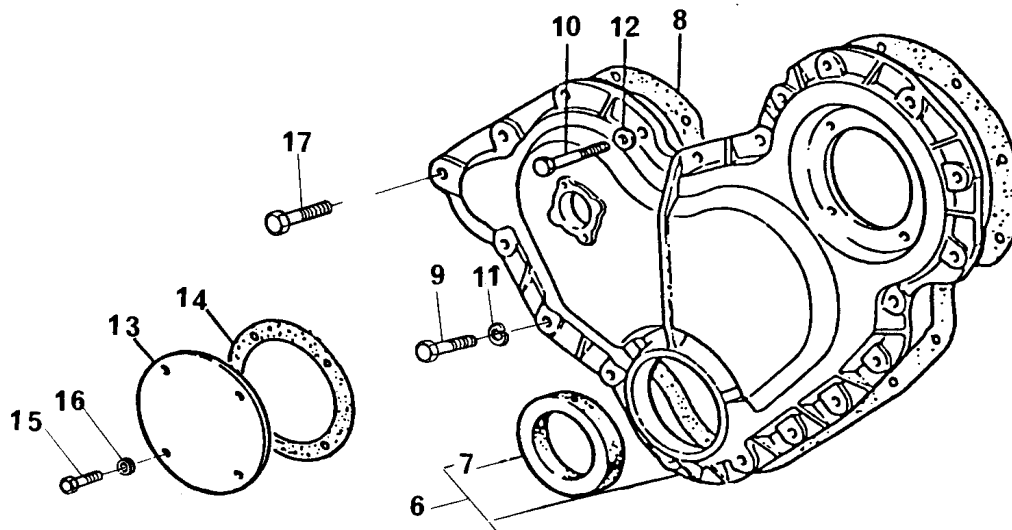
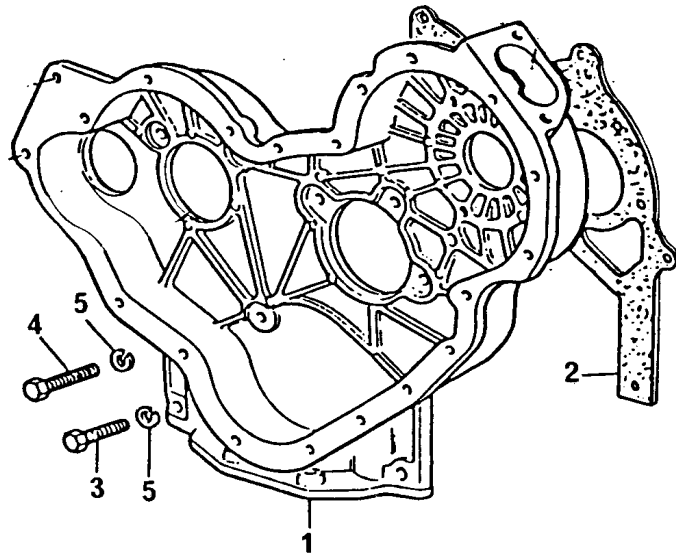
11/58

| | | | | | | | |
|----|----------|---|----|---------------------|--------------------|------------------|-----------------|
| 1 | 4236193 | | 1 | BLOCO CILINDROS | CYLINDER BLOCK | BLOQUE | BLOC-CYLINDRES |
| 2 | 31358393 |  | | X CAMISA | LINER | CAMISA | CHEMISE |
| 2 | 70530028 |  | 1 | 523940A | 4 CAMISA | CAMISA | CHEMISE |
| 3 | 70650075 | | 1 | 7 BUJÃO | PLUG | TAPÓN | BOUCHON |
| 4 | 70650077 | | 1 | 4 BUJÃO | PLUG | TAPÓN | BOUCHON |
| 5 | 70650076 | | 1 | 4 BUJÃO | PLUG | TAPÓN | BOUCHON |
| 6 | 0650582 | | 1 | 1 BUJÃO | PLUG | TAPÓN | BOUCHON |
| 7 | 70920065 | | 1 | 1 ARRUELA | WASHER | ARANDELA | RONDELLE |
| 8 | 70650068 | | 1 | 1 BUJÃO | PLUG | TAPÓN | BOUCHON |
| 9 | 70650079 | | 1 | 2 BUJÃO | PLUG | TAPÓN | BOUCHON |
| 10 | 70650083 |  | 1 | 70650014 | 1 BUJÃO | TAPÓN | BOUCHON |
| 11 | 33142111 | | 1 | 10 ANEL LOCALIZADOR | THIMBLE | GUIA | BAGUE |
| 12 | 32166329 | | 1 | 10 PARAFUSO | BOLT | TORNILLO | VIS |
| 13 | 70998033 | | 1 | 1 BUCHA | BUSH | BUJE | BAGUE |
| 14 | 3627P011 | | | 1 PLACA | PLATE | PLACA | PLAQUE |
| 15 | 2172514 |  | | 70740062 | 2 PARAFUSO | TORNILLO | VIS |
| 16 | 70490279 | | | 1 JUNTA PLÁSTICA | GASKET | JUNTA | JOINT |
| 17 | 4236122 | | | 1 MOTOR PARCIAL | SHORT ENGINE | MOTOR PARCIAL | MOTEUR PARTIEL |
| | 4236193 | | 17 | 1 BLOCO CILINDROS | CYLINDER BLOCK | BLOQUE CILINDROS | BLOC-CYLINDRES |
| | S4025 |  | 17 | 4236115 | 1 ÁRVORE MANIVELAS | CIGUEÑAL | VILEBREQUIN |
| | 70998050 |  | 17 | 4236116 | 4 PISTÃO | PISTÓN | PISTON |
| | 635477 | | 17 | 4 JOGO DE ANÉIS | RING KIT | JUEGO DE AROS | JEU DE SEGMENTS |
| | 4236119 | | 17 | 4 BIELA | CONNECTING ROD | BIELA | BIELLE |
| 18 | 4236144 |  | | 523939A | 1 JOGO | JUEGO | JEU |
| 18 | 4236248 |  | | 523940A | 1 JOGO | JUEGO | JEU |

CAIXA DE DISTRIBUIÇÃO
TIMING CASE
CAJA DE DISTRIBUCIÓN
CARTER DE LA DISTRIBUTION

GRUPO
GROUP
GRUPO
GROUPE

12/16



CAIXA DE DISTRIBUIÇÃO
TIMING CASE
CAJA DE DISTRIBUCIÓN
CARTER DE LA DISTRIBUTION

GRUPO
GROUP 12/16
GRUPO
GROUPE

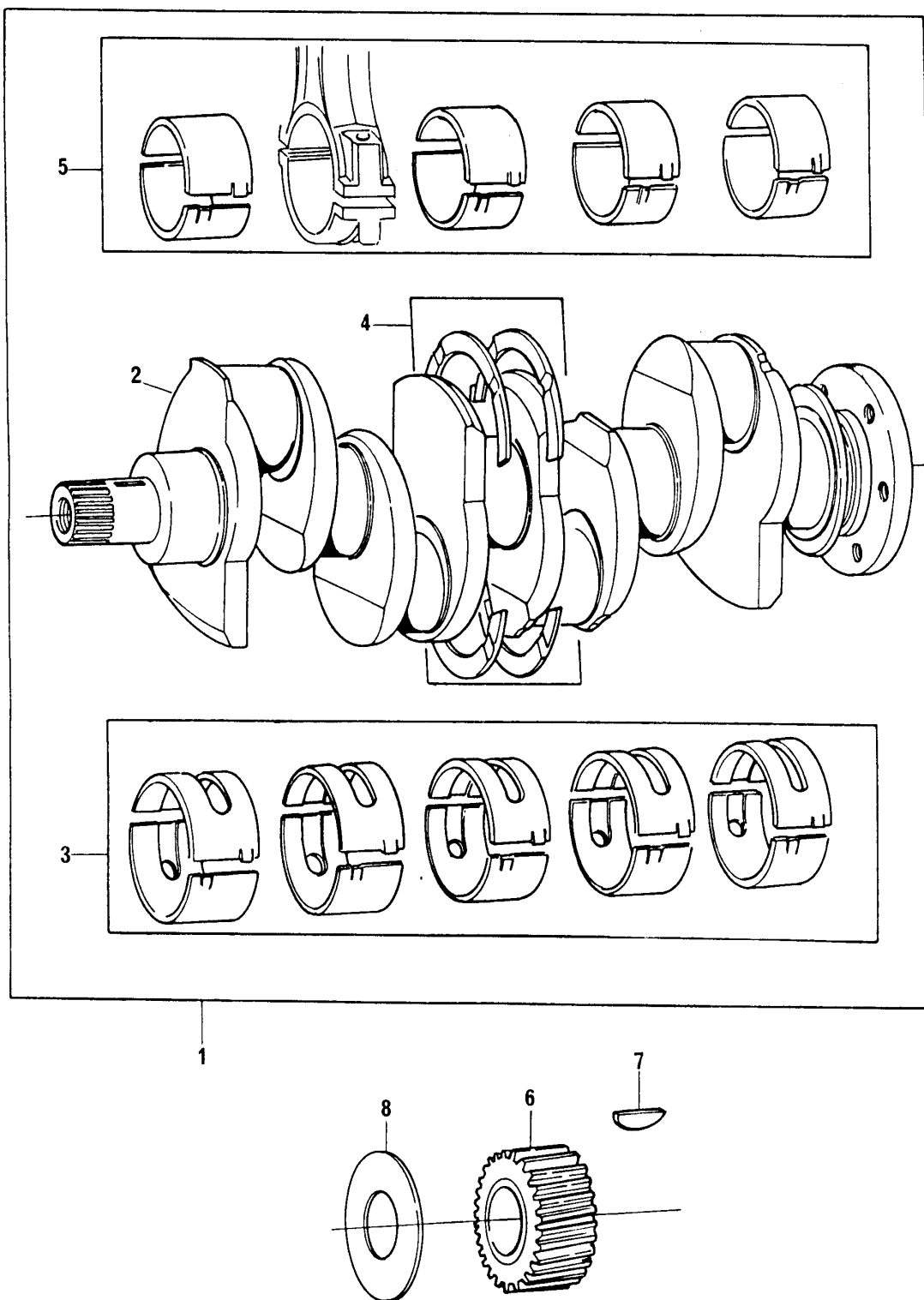
| | | | | | | |
|----|----------|-----------------|-------------|---------|----------|------------------|
| 1 | 4236256 | | 1 CAIXA | HOUSING | CAJA | CARTER |
| 2 | 70490368 | ●○ 36814127 | 1 JUNTA | JOINT | JUNTA | JOINT |
| 2 | 70490396 | (A) ●○ 36814137 | 1 JUNTA | JOINT | JUNTA | JOINT |
| 3 | 0746255 | | 2 PARAFUSO | BOLT | TORNILLO | VIS |
| 4 | 0746211 | | 7 PARAFUSO | BOLT | TORNILLO | VIS |
| 5 | 0920053 | | 9 ARRUELA | WASHER | ARANDELA | RONDELLE |
| 6 | 70992825 | | 1 TAMPA | COVER | TAPA | COUVERCLE |
| 7 | 70730043 | 6 | 1 RETENTOR | SEAL | RETÉN | BAGUÉ ÉTANCHÉITE |
| 8 | 70490311 | ●○ 36813137 | 1 JUNTA | JOINT | JUNTA | JOINT |
| 9 | 0746211 | | 14 PARAFUSO | BOLT | TORNILLO | VIS |
| 10 | 0096238 | | 3 PARAFUSO | BOLT | TORNILLO | VIS |
| 11 | 0920053 | | 14 ARRUELA | WASHER | ARANDELA | RONDELLE |
| 12 | 0920052 | ●○ 70920112 | 4 ARRUELA | WASHER | ARANDELA | RONDELLE |
| 13 | 32413415 | → 505806Z | 1 TAMPA | COVER | TAPA | COUVERCLE |
| 13 | 37556117 | → 505807Z | 1 TAMPA | COVER | TAPA | COUVERCLE |
| 14 | 70490275 | → 505806Z | 1 JUNTA | JOINT | JUNTA | JOINT |
| 14 | 36825107 | → 505807Z | 1 JUNTA | JOINT | JUNTA | JOINT |
| 15 | 70740128 | ●○ 0746252 | 4 PARAFUSO | BOLT | TORNILLO | VIS |
| 16 | 0920108 | | 4 ARRUELA | WASHER | ARANDELA | RONDELLE |
| 17 | 0096239 | | 1 PARAFUSO | BOLT | TORNILLO | VIS |

(A) MOTOR 4.236 LD → 8820B407700V
LD 8821B407721V
LD 8822B407725V
LD 8826B407061V

MOTOR 4.248 LF → 8824B407769V
LF 8825B407769V
LF 8890B407769V

ÁRVORE DE MANIVELAS
CRANKSHAFT
CIGUEÑÁL
VILEBREQUIN

GRUPO 13/13
GROUP 13/27
GRUPO 13/41
GROUPE



ÁRVORE DE MANIVELAS
 CRANKSHAFT
 CIGUEÑAL
 VILEBREQUIN

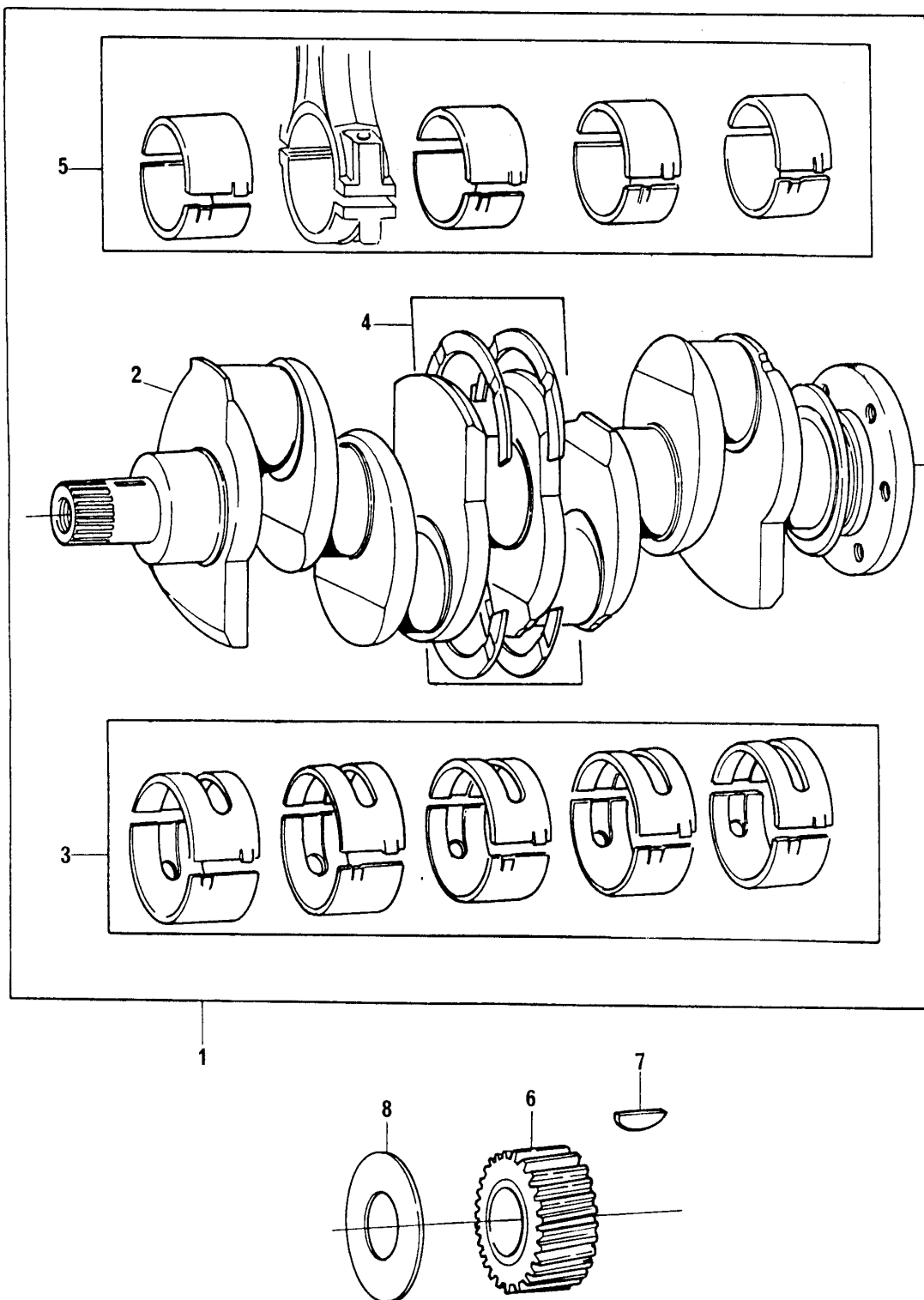
GRUPO 13/13
 GROUP 13/27
 GRUPO 13/41
 GROUPE

| | | | | | | | | |
|---|----------|---|-------------|---|------------------|----------------|-----------------|-----------------|
| 1 | S4004 | | | 1 | CJ.ÁRVORE MANIV. | CRANKSHAFT KIT | JUEGO CIGUEÑAL | JEU VILEBREQUIN |
| 2 | 70998009 | 1 | | 1 | ÁRVORE MANIVELAS | CRANKSHAFT | CIGUEÑAL | VILEBREQUIN |
| 3 | 423669 | 1 | STD | 1 | JG. CASQUILHOS | BEARING KIT | JUEGO COJINETES | JEU COUSSINETS |
| 3 | 426669 | A | ▼ + . 010" | X | JG. CASQUILHOS | BEARING KIT | JUEGO COJINETES | JEU COUSSINETS |
| 3 | 423669 | B | ▼ + . 020" | X | JG. CASQUILHOS | BEARING KIT | JUEGO COJINETES | JEU COUSSINETS |
| 3 | 423669 | C | ▼ + . 030" | X | JG. CASQUILHOS | BEARING KIT | JUEGO COJINETES | JEU COUSSINETS |
| 4 | 424808 | 1 | STD | 1 | JG. ARRUELAS | WASHER KIT | JUEGO ARANDELAS | JEU RONDELLES |
| 4 | 424808 | A | ▼ + . 0075" | X | JG. ARRUELAS | WASHER KIT | JUEGO ARANDELAS | JEU RONDELLES |
| 5 | 423670 | 1 | STD | 1 | JG. CASQUILHOS | BEARING KIT | JUEGO COJINETES | JEU COUSSINETS |
| 5 | 423670 | A | ▼ + . 010" | X | JG. CASQUILHOS | BEARING KIT | JUEGO COJINETES | JEU COUSSINETS |
| 5 | 423670 | B | ▼ + . 020" | X | JG. CASQUILHOS | BEARING KIT | JUEGO COJINETES | JEU COUSSINETS |
| 5 | 423670 | C | ▼ + . 030" | X | JG. CASQUILHOS | BEARING KIT | JUEGO COJINETES | JEU COUSSINETS |
| 6 | 31171681 | | | 1 | ENGRENAGEM | GEAR | ENGRANAJE | PIGNON |
| 7 | 0500012 | | | 1 | CHAVETA | KEY | CHAVETA | CLAVETTE |
| 8 | 33125416 | | | 1 | ARRUELA | WASHER | ARANDELA | RONDELLE |

ÁRVORE DE MANIVELAS
CRANKSHAFT
CIGUEÑAL
VILEBREQUIN

GRUPO
GROUP
GRUPO
GROUPE

13/38



ÁRVORE DE MANIVELAS
CRANKSHAFT
CIGUEÑAL
VILEBREQUIN

GRUPO
GROUP
GRUPO
GROUPE

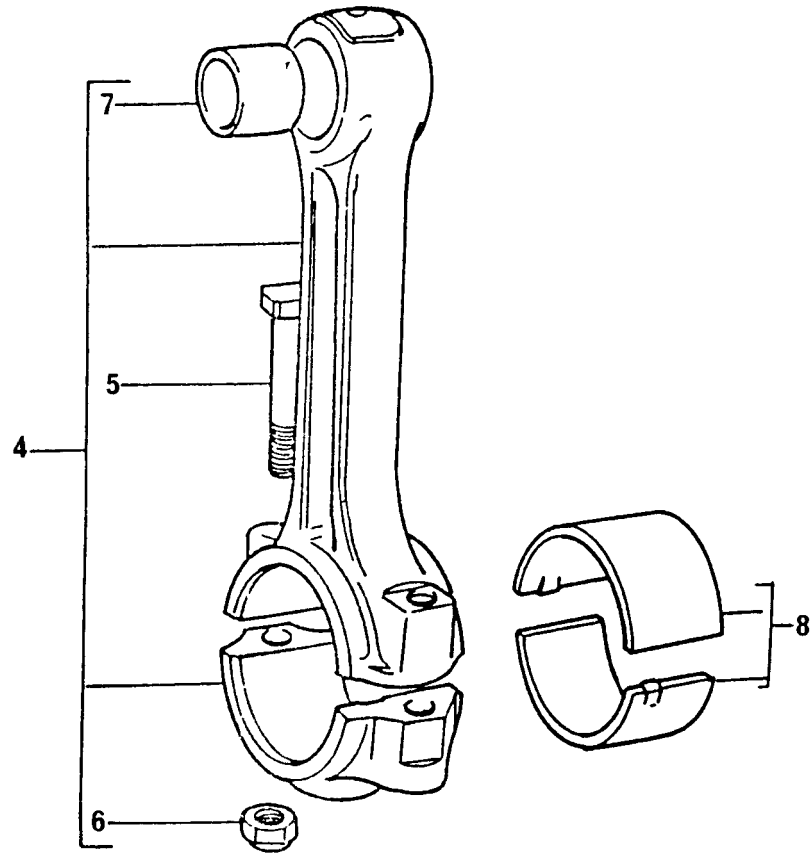
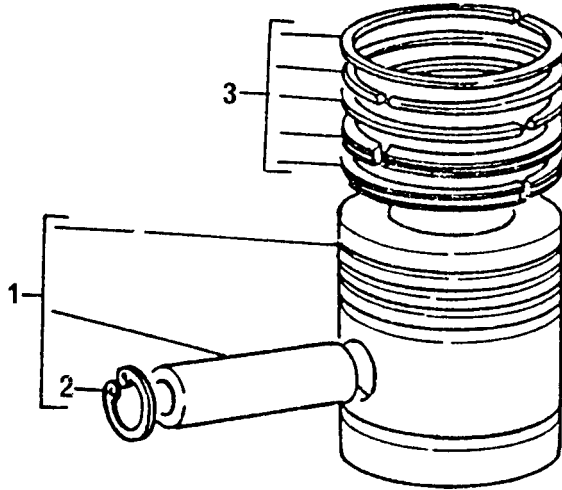
13/38

| | | | | | | | | |
|---|----------|---|-------------|---|--------------------|----------------|-----------------|-----------------|
| 1 | S4025 | | | 1 | CJ. ÁRVORE MANIV. | CRANKSHAFT KIT | JUEGO CIGUEÑAL | JEU VILEBREQUIN |
| 2 | 70998009 | 1 | | | 1 ÁRVORE MANIVELAS | CRANKSHAFT | CIGUEÑAL | VILEBREQUIN |
| 3 | 423669 | 1 | STD | | 1 JG. CASQUILHOS | BEARING KIT | JUEGO COJINETES | JEU COUSSINETS |
| 3 | 423669 | A | ▼ + . 010" | X | JG. CASQUILHOS | BEARING KIT | JUEGO COJINETES | JEU COUSSINETS |
| 3 | 423669 | B | ▼ + . 020" | X | JG. CASQUILHOS | BEARING KIT | JUEGO COJINETES | JEU COUSSINETS |
| 3 | 423669 | C | ▼ + . 030" | X | JG. CASQUILHOS | BEARING KIT | JUEGO COJINETES | JEU COUSSINETS |
| 4 | 424808 | 1 | STD | | 1 JG. ARRUELAS | WASHER KIT | JUEGO ARANDELAS | JEU RONDELLES |
| 4 | 424808 | A | ▼ + . 0075" | X | JG. ARRUELAS | WASHER KIT | JUEGO ARANDELAS | JEU RONDELLES |
| 5 | 4236114 | 1 | STD | | 1 JG. CASQUILHOS | BEARING KIT | JUEGO COJINETES | JEU COUSSINETS |
| 5 | 4236114 | A | ▼ + . 010" | X | JG. CASQUILHOS | BEARING KIT | JUEGO COJINETES | JEU COUSSINETS |
| 5 | 4236114 | B | ▼ + . 020" | X | JG. CASQUILHOS | BEARING KIT | JUEGO COJINETES | JEU COUSSINETS |
| 5 | 4236114 | C | ▼ + . 030" | X | JG. CASQUILHOS | BEARING KIT | JUEGO COJINETES | JEU COUSSINETS |
| 6 | 31171681 | | | | 1 ENGRENAGEM | GEAR | ENGRANAJE | PIGNON |
| 7 | 0500012 | | | | 1 CHAVETA | KEY | CHAVETA | CLAVETTE |
| 8 | 33125416 | | → 426025X | | 1 ARRUELA | WASHER | ARANDELA | RONDELLE |

PISTÕES E BIELAS
PISTONS AND CONNECTING RODS
PISTONES Y BIELAS
PISTONES ET BIELLES


GRUPO
GROUP
GRUPO
GROUPE

14/14



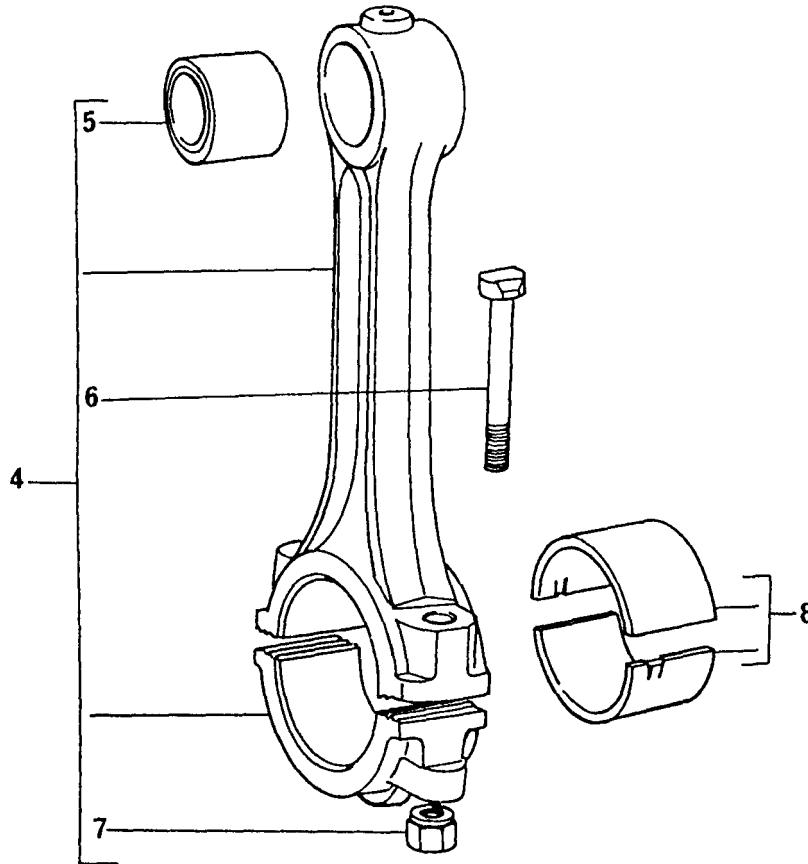
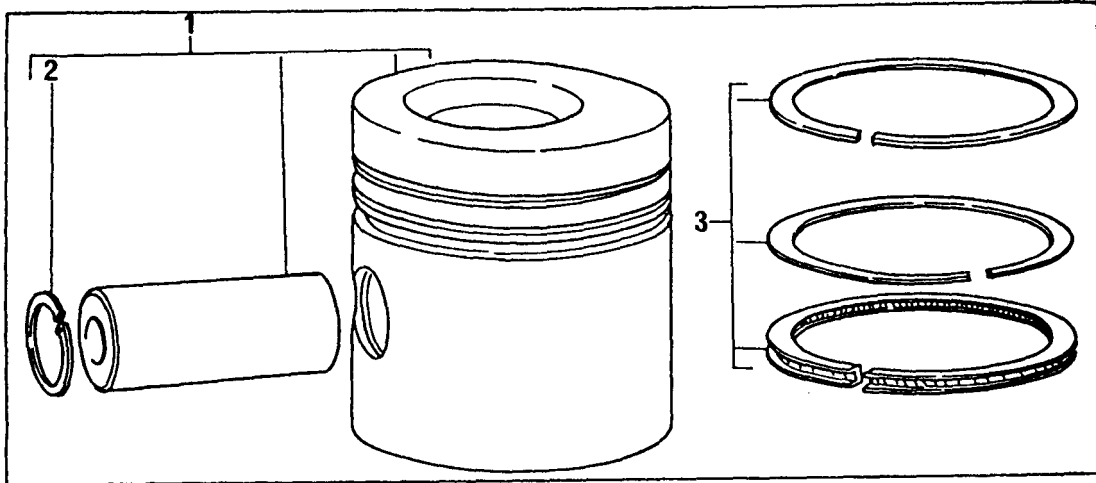
PISTÕES E BIELAS
PISTONS AND CONNECTING RODS
PISTONES Y BIELAS
PISTONES ET BIELLES

GRUPO
GROUP 14/14
GRUPO
GROUPE

| | | | | | | | | |
|---|----------|---|-----------|---|------------------|----------------|------------------|-------------------|
| 1 | 70991262 |  | 423615 | 4 | PISTÃO | PISTON | PISTÓN | PISTON |
| 2 | 70170026 | 1 | | 8 | ANEL TRAVA | CIRCLIP | ARO RETÉN | CIRCLIP |
| 3 | 423614 | | | 4 | JOGO DE ANÉIS | RING KIT | JUEGO DE AROS | JEU DE SEGMENTS |
| 4 | 424804 | | | 4 | BIELA - CONJUNTO | CONNECTING ROD | BIELA - CONJUNTO | BIELLE - ENSEMBLE |
| 5 | 32762116 | 4 | | 8 | PARAFUSO | BOLT | TORNILLO | VIS |
| 6 | 70570094 | 4 | | 8 | PORCA | NUT | TUERCA | ÉCROU |
| 7 | 70998085 | 4 | | 4 | BUCHA | BUSH | BUJE | BAGUE |
| 8 | 423670 | | STD | 1 | JG. CASQUILHOS | BEARING KIT | JUEGO COJINETES | JEU COUSSINETS |
| 8 | 423670 | A | ▼ + .010" | X | JG. CASQUILHOS | BEARING KIT | JUEGO COJINETES | JEU COUSSINETS |
| 8 | 423670 | B | ▼ + .020" | X | JG. CASQUILHOS | BEARING KIT | JUEGO COJINETES | JEU COUSSINETS |
| 8 | 423670 | C | ▼ + .030" | X | JG. CASQUILHOS | BEARING KIT | JUEGO COJINETES | JEU COUSSINETS |


PISTÕES E BIELAS
PISTONS AND CONNECTING RODS
PISTONES Y BIELAS
PISTONES ET BIELLES

GRUPO
GROUP 14/21
GRUPO 14/35
GROUPE



PISTÕES E BIELAS
PISTONS AND CONNECTING RODS
PISTONES Y BIELAS
PISTONES ET BIELLES

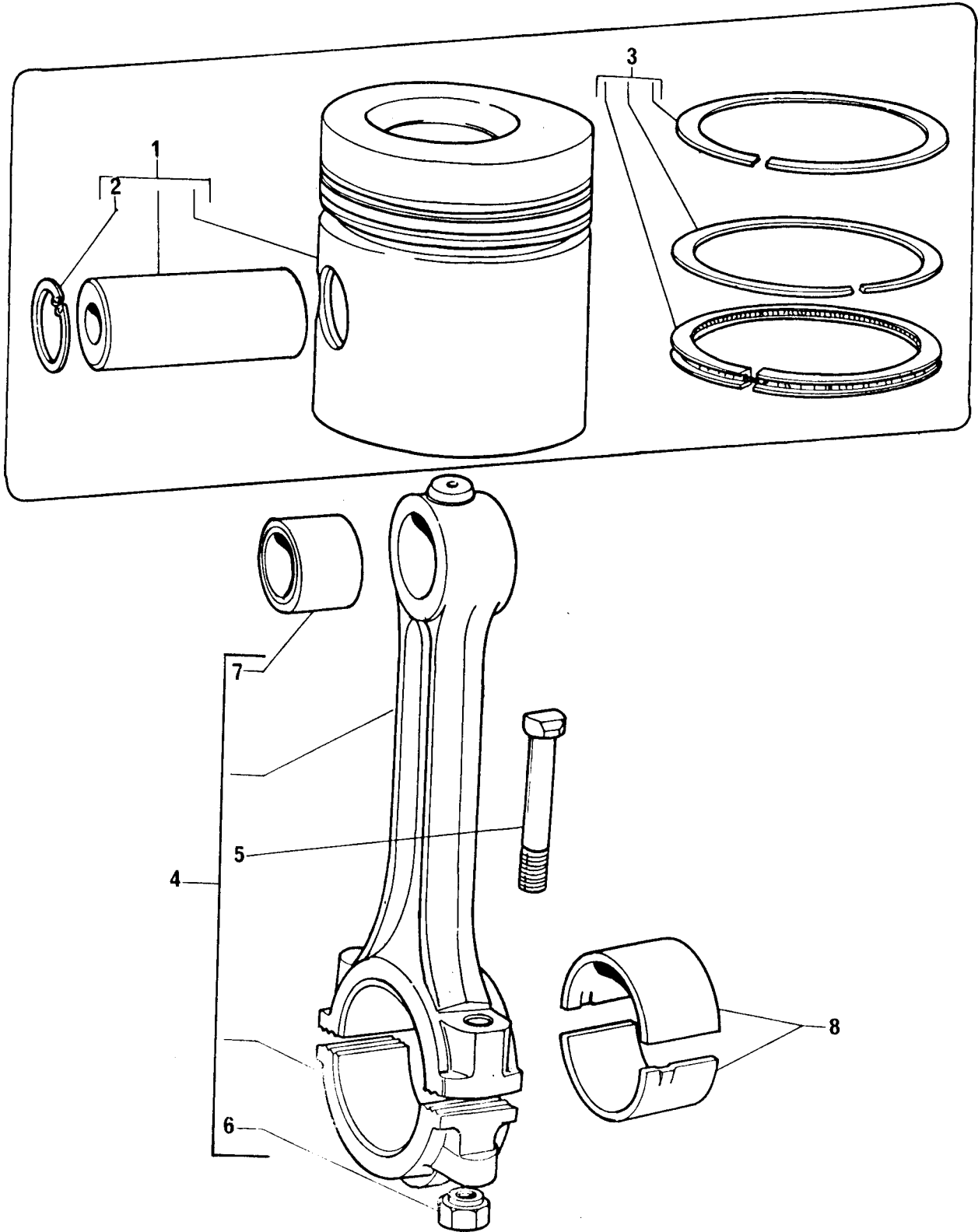
GRUPO
GROUP 14/21
GRUPO 14/35
GROUPE

| | | | | | | | |
|---|----------|---|------------|--------------------|----------------|------------------|-------------------|
| 1 | 70998044 |  | 423646 | 4 PISTÃO | PISTON | PISTÓN | PISTON |
| 2 | 70170026 | 1 | | 8 ANEL TRAVA | CIRCLIP | ARO RETÉN | CIRCLIP |
| 3 | 4236151 | | | 4 JOGO DE ANÉIS | RING KIT | JUEGO DE AROS | JEU DE SEGMENTS |
| 4 | 424804 | | | 4 BIELA - CONJUNTO | CONNECTING ROD | BIELA - CONJUNTO | BIELLE - ENSEMBLE |
| 5 | 70998085 | 4 | | 4 BUCHA | BUSH | BUJE | BAGUE |
| 6 | 32762116 | 4 | | 8 PARAFUSO | BOLT | TORNILLO | VIS |
| 7 | 70570094 | 4 | | 8 PORCA | NUT | TUERCA | ÉCROU |
| 8 | 423670 | | STD | 1 JG. CASQUILHOS | BEARING KIT | JUEGO COJINETES | JEU COUSSINETS |
| 8 | 423670 A | | ▼ + . 010" | X JG. CASQUILHOS | BEARING KIT | JUEGO COJINETES | JEU COUSSINETS |
| 8 | 423670 B | | ▼ + . 020" | X JG. CASQUILHOS | BEARING KIT | JUEGO COJINETES | JEU COUSSINETS |
| 8 | 423670 C | | ▼ + . 030" | X JG. CASQUILHOS | BEARING KIT | JUEGO COJINETES | JEU COUSSINETS |

PISTÕES E BIELAS
PISTONS AND CONNECTING RODS
PISTONES Y BIELAS
PISTONES ET BIELLES

GRUPO
GROUP
GRUPO
GROUPE

14/27



PISTÕES E BIELAS
PISTONS AND CONNECTING RODS
PISTONES Y BIELAS
PISTONES ET BIELLES

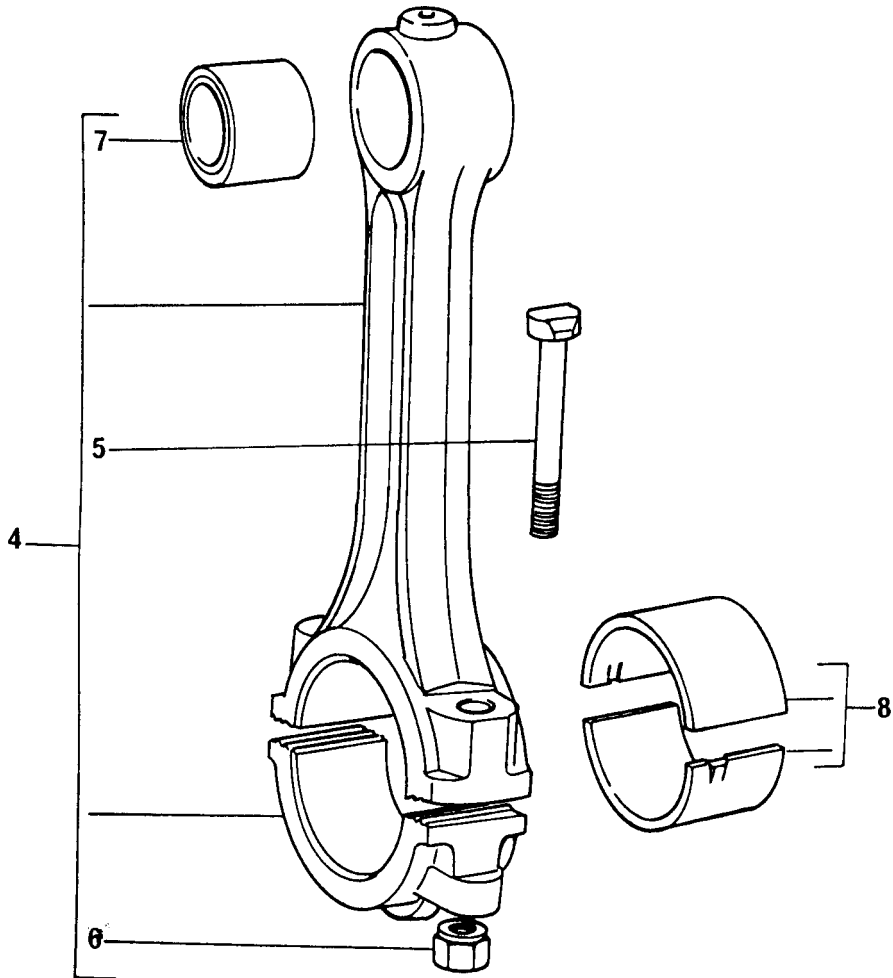
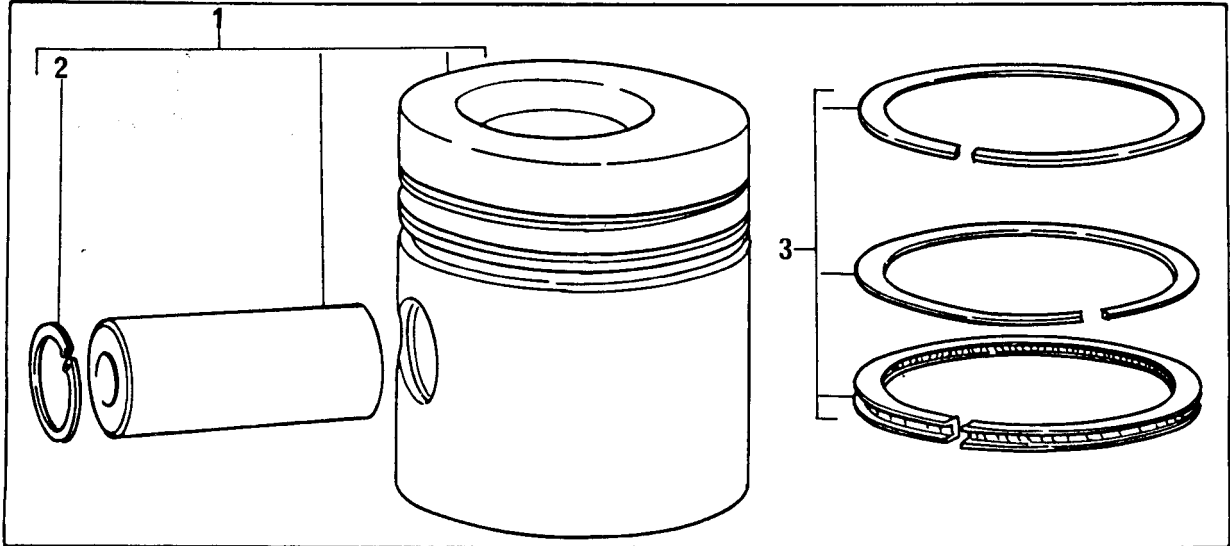
GRUPO
GROUP 14/27
GRUPO
GROUPE

| | | | | | | | |
|---|----------|---|------------|--------------------|----------------|------------------|-------------------|
| 1 | 70998029 | | ●○ 424845 | 4 PISTÃO | PISTON | PISTÓN | PISTON |
| 2 | 70170026 | 1 | | 8 ANEL TRAVA | CIRCLIP | ARO RETÉN | CIRCLIP |
| 3 | 424843 | | | 4 JOGO DE ANÉIS | RING KIT | JUEGO DE AROS | JEU DE SEGMENTS |
| 4 | 424804 | | | 4 BIELA - CONJUNTO | CONNECTING ROD | BIELA - CONJUNTO | BIELLE - ENSEMBLE |
| 5 | 32762116 | 4 | | 8 PARAFUSO | BOLT | TORNILLO | VIS |
| 6 | 70570094 | 4 | | 8 PORCA | NUT | TUERCA | ÉCROU |
| 7 | 70998085 | 4 | | 4 BUCHA | BUSH | BUJE | BAGUE |
| 8 | 423670 | | STD | 1 JG. CASQUILHOS | BEARING KIT | JUEGO COJINETES | JEU COUSSINETS |
| 8 | 423670 | A | ▼ + . 010" | X JG. CASQUILHOS | BEARING KIT | JUEGO COJINETES | JEU COUSSINETS |
| 8 | 423670 | B | ▼ + . 020" | X JG. CASQUILHOS | BEARING KIT | JUEGO COJINETES | JEU COUSSINETS |
| 8 | 423670 | C | ▼ + . 030" | X JG. CASQUILHOS | BEARING KIT | JUEGO COJINETES | JEU COUSSINETS |

PISTÕES E BIELAS
PISTONS AND CONNECTING RODS
PISTONES Y BIELAS
PISTONES ET BIELLES


GRUPO
GROUP
GRUPO
GROUPE

14/28



PISTÕES E BIELAS
PISTONS AND CONNECTING RODS
PISTONES Y BIELAS
PISTONES ET BIELLES

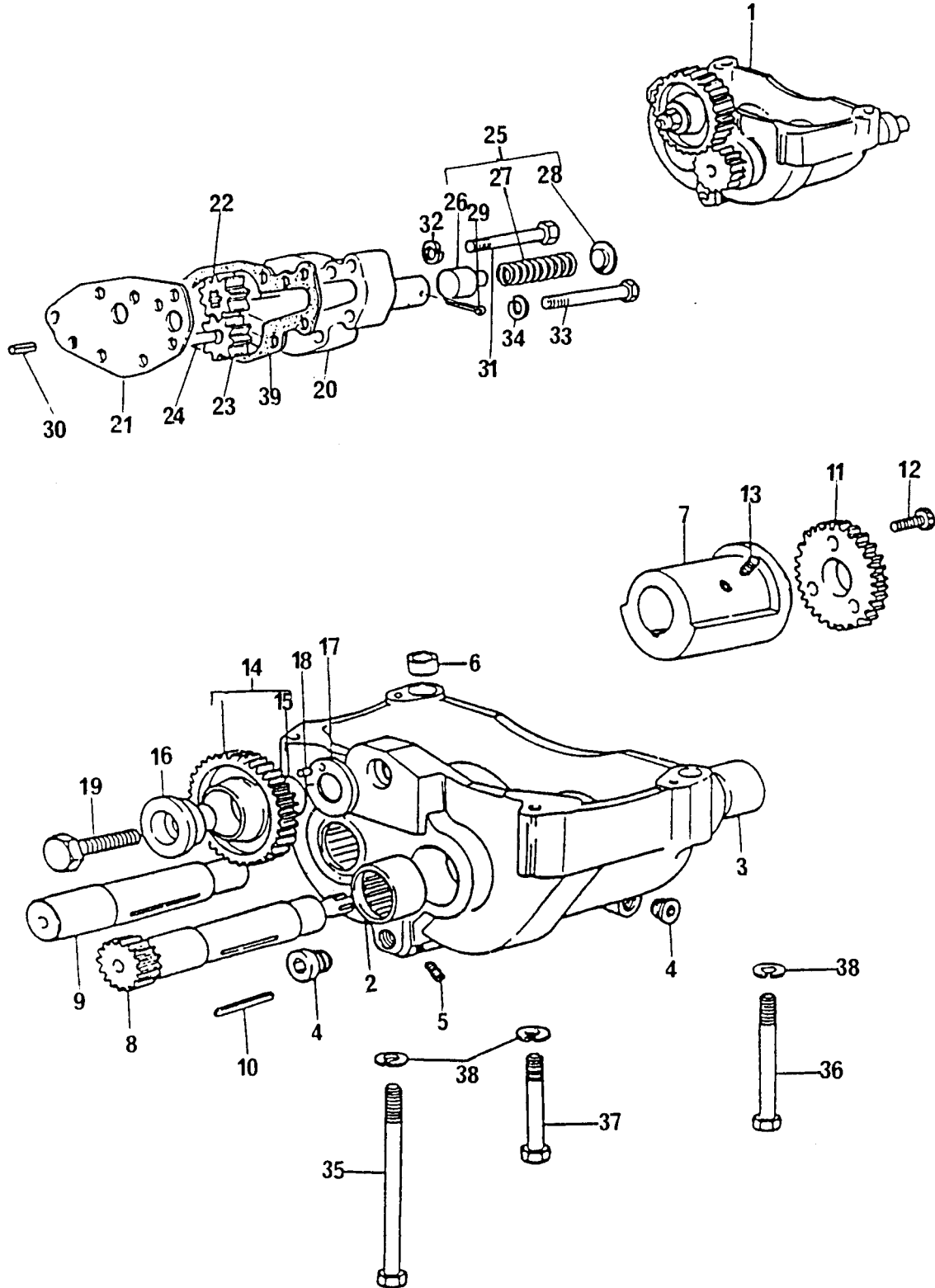
GRUPO
GROUP 14/28
GRUPO
GROUPE

| | | | | | | | |
|---|-----------|---|------------|--------------------|----------------|------------------|-------------------|
| 1 | 70998050 |  | 4236116 | 4 PISTÃO | PISTON | PISTÓN | PISTON |
| 2 | 70170035 | 1 | | 8 ANEL TRAVA | CIRCLIP | ARO RETÉN | CIRCLIP |
| 3 | 635477 | | | 4 JOGO DE ANÉIS | RING KIT | JUEGO DE AROS | JEU DE SEGMENTS |
| 4 | 4236119 | | | 4 BIELA - CONJUNTO | CONNECTING ROD | BIELA - CONJUNTO | BIELLE - ENSEMBLE |
| 5 | 32762116 | 4 | | 8 PARAFUSO | BOLT | TORNILLO | VIS |
| 6 | 70570094 | 4 | | 8 PORCA | NUT | TUERCA | ÉCROU |
| 7 | 70998078 | 4 | | 4 BUCHA | BUSH | BUJE | BAGUE |
| 8 | 4236114 | | STD | 1 JG. CASQUILHOS | BEARING KIT | JUEGO COJINETES | JEU COUSSINETS |
| 8 | 4236114 A | | ▼ + . 010" | X JG. CASQUILHOS | BEARING KIT | JUEGO COJINETES | JEU COUSSINETS |
| 8 | 4236114 B | | ▲ + . 020" | X JG. CASQUILHOS | BEARING KIT | JUEGO COJINETES | JEU COUSSINETS |
| 8 | 4236114 C | | ▲ + . 030" | X JG. CASQUILHOS | BEARING KIT | JUEGO COJINETES | JEU COUSSINETS |

BALANCEADOR DINÂMICO E BOMBA DE ÓLEO LUBRIFICANTE
 BALANCER UNIT AND LUBRICATING OIL PUMP
 COMPENSADOR Y BOMBA DE ACEITE LUBRIFICANTE
 ÉQUILIBREUR ET POMPE À HUILE LUBRIFIANTE


GRUPO
 GROUP
 GRUPO
 GROUPE

15/06



BALANCEADOR DINÂMICO E BOMBA DE ÓLEO LUBRIFICANTE
BALANCER UNIT AND LUBRICATING OIL PUMP
COMPENSADOR Y BOMBA DE ACEITE LUBRICANTE
ÉQUILIBREUR ET POMPE À HUILE LUBRIFIANTE

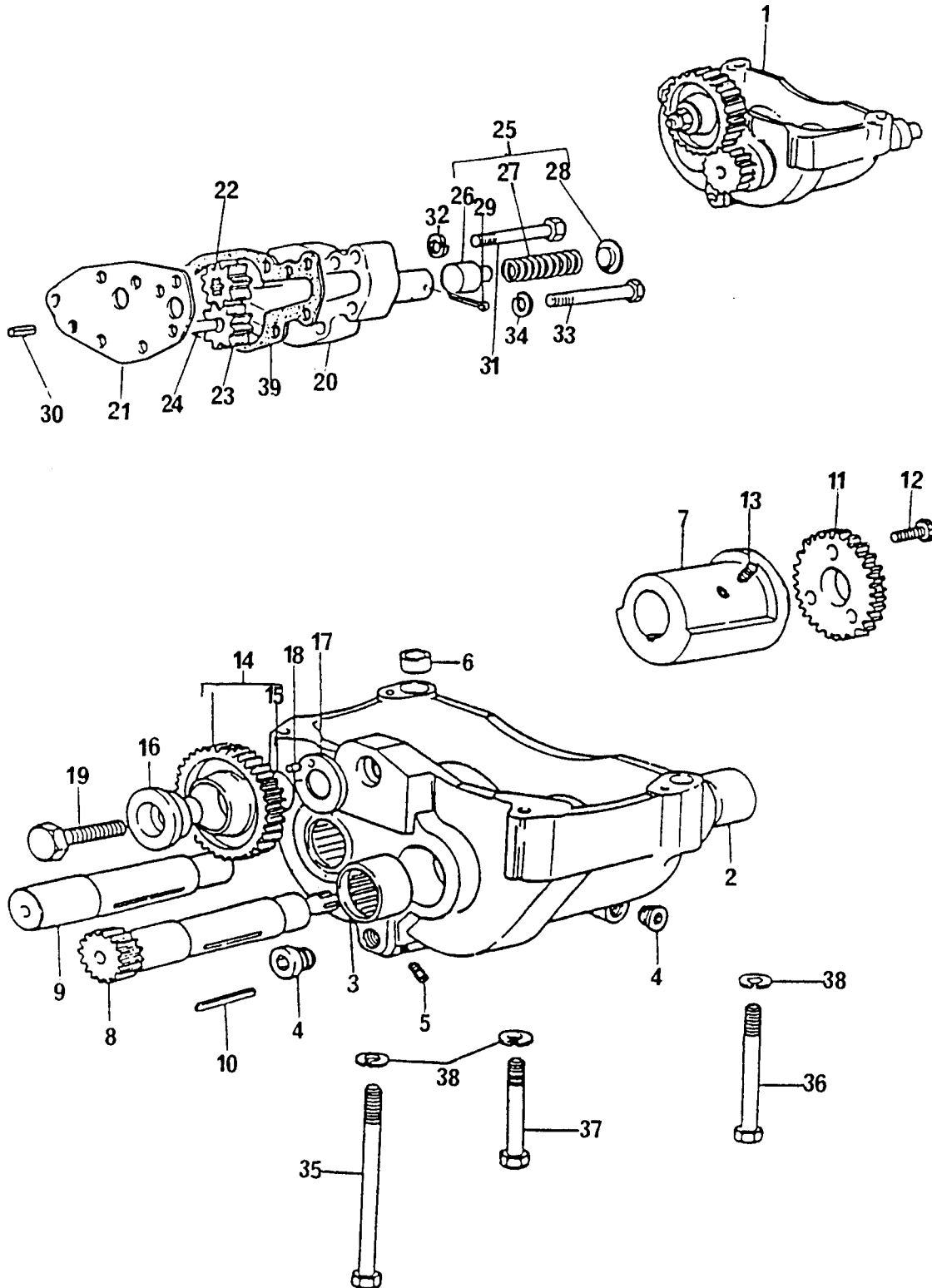
GRUPO
GROUP 15/06
GRUPO
GROUPE

| | | | | | | |
|----|----------|--|--|---------------|------------------|----------------|
| 1 | |  70998135 | 1 BALANCEADOR | BALANCER UNIT | COMPENSADOR | EQUILIBREUR |
| 2 | 2557181 | 1 | 2 ROLAMENTO | BEARING | COJINETE | ROULEMENT |
| 3 | 2557182 | 1 | 2 ROLAMENTO | BEARING | COJINETE | ROULEMENT |
| 4 | 70650116 | 1 | 3 BUJÃO | PLUG | TAPÓN | BOUCHON |
| 5 | 70650117 | 1 | 1 BUJÃO | PLUG | TAPÓN | BOUCHON |
| 6 | 33137408 | 1 | 2 ANEL LOCALIZADOR | THIMBLE | GUÍA | BAGUE |
| 7 | 70430001 | 1 | 2 CONTRAPESO | WEIGHT | CONTRAPESO | MASSE |
| 8 | 31171276 | 1 | 1 EIXO MOTOR | SHAFT | EJE | ARBRE |
| 9 | 32731127 | 1 | 1 EIXO MOVIDO | SHAFT | EJE | ARBRE |
| 10 | 2576675 | 1 | 2 CHAVETTA | KEY | CHAVETA | CLAVETTE |
| 11 | 70998174 | 1 |  31164581 | 2 ENGRENAGEM | ENGRANAJE | PIGNON |
| 12 | 2172513 | 1 | 6 PARAFUSO | BOLT | TORNILLO | VIS |
| 13 | 2171225 | 1 | 4 PARAFUSO | BOLT | TORNILLO | VIS |
| 14 | 70991042 | 1 | 1 ENGRENAGEM | GEAR | ENGRANAJE | PIGNON |
| 15 | 70050113 | 14 | 1 BUCHA | BUSH | BUJE | BAGUE |
| 16 | 33451801 | 1 | 1 CUBO | HUB | CUBO | MOYEU |
| 17 | 33153133 | 1 | 1 PLACA | PLATE | PLACA | PLAQUE |
| 18 | 0610879 | 1 | 1 PINO GUIA | DOWEL | ESPIGA | PION |
| 19 | 0096633 | 1 | 1 PARAFUSO | BOLT | TORNILLO | VIS |
| 20 | 37714234 | 1 | 1 CORPO | BODY | CUERPO | CORPS |
| 21 | 36237156 | 1 | 1 PLACA | PLATE | PLACA | PLAQUE |
| 22 | 70998129 | 1 | 1 ENGRENAGEM | GEAR | ENGRANAJE | PIGNON |
| 23 | 70998128 | 1 | 1 ENGRENAGEM | GEAR | ENGRANAJE | PIGNON |
| 24 | 32455123 | 1 | 1 EIXO | SHAFT | EJE | ARBRE |
| 25 | 424819 | 1 | 1 JOGO DE REPARO | REPAIR KIT | JUEGO REPARACIÓN | JEU REPARATION |
| 26 | | 25 | 1 ÊMBOLO | PLUNGER | ÊMBOLO | PISTÓN |
| 27 | | 25 | 1 MOLA | SPRING | RESORTE | RESSORT |
| 28 | | 25 | 1 CAPA | CAP | CASQUILLO | CUVETTE |
| 29 | 0610012 | 25 | 1 CONTRA PINO | COTTER PIN | PASADOR DOBLE | GOUPILLE |
| 30 | 0350005 | | 2 PINO GUIA | DOWEL | ESPIGA | PION |
| 31 | 0096236 | 1 | 5 PARAFUSO | BOLT | TORNILLO | VIS |
| 32 | 0920053 | 1 | 5 ARRUELA | WASHER | ARANDELA | RONDELLE |
| 33 | 0096237 | | 2 PARAFUSO | BOLT | TORNILLO | VIS |
| 34 | 0920053 | | 2 ARRUELA | WASHER | ARANDELA | RONDELLE |
| 35 | 2184546 | | 1 PARAFUSO | BOLT | TORNILLO | VIS |
| 36 | 0096441 | | 1 PARAFUSO | BOLT | TORNILLO | VIS |
| 37 | 0096439 | | 2 PARAFUSO | BOLT | TORNILLO | VIS |
| 38 | 0920054 | | 4 ARRUELA | WASHER | ARANDELA | RONDELLE |
| 39 | 36866722 | 1 | 1 JUNTA | JOINT | JUNTA | JOINT |

BALANCEADOR DINÂMICO E BOMBA DE ÓLEO LUBRIFICANTE
 BALANCER UNIT AND LUBRICATING OIL PUMP
 COMPENSADOR Y BOMBA DE ACEITE LUBRIFICANTE
 ÉQUILIBREUR ET POMPE À HUILE LUBRIFIANTE

GRUPO
 GROUP
 GRUPO
 GROUPE

15/17



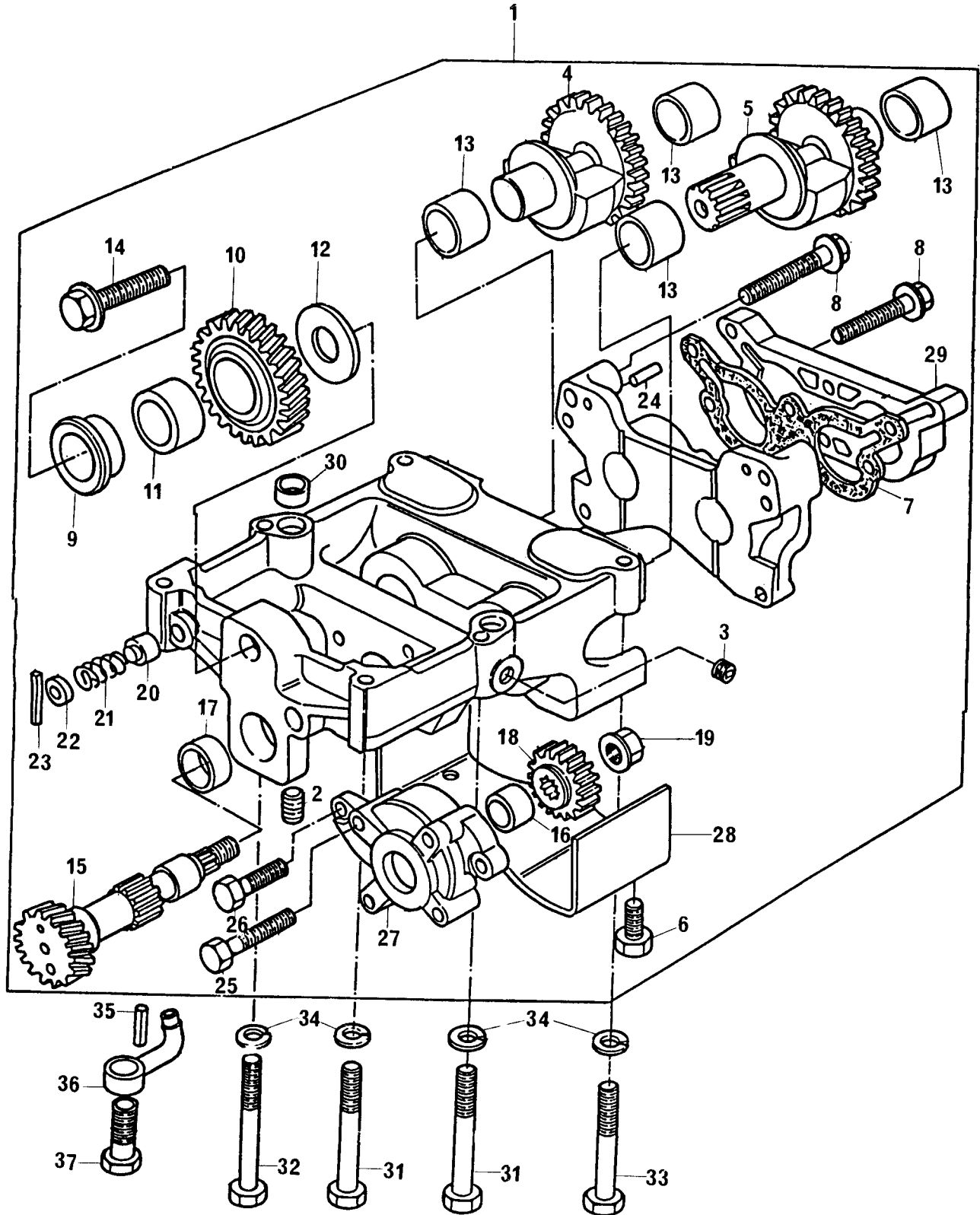
BALANCEADOR DINÂMICO E BOMBA DE ÓLEO LUBRIFICANTE
BALANCER UNIT AND LUBRICATING OIL PUMP
COMPENSADOR Y BOMBA DE ACEITE LUBRICANTE
ÉQUILIBREUR ET POMPE À HUILE LUBRIFIANTE

GRUPO
GROUP 15/17
GRUPO
GROUPE

| | | | | | | | |
|----|----------|----|---|------------------|---------------|------------------|----------------|
| 1 | 70998135 | | 1 | BALANCEADOR | BALANCER UNIT | COMPENSADOR | EQUILIBREUR |
| 2 | 70998104 | 1 | 2 | BUCHA | BUSH | BUJE | BAGUÉ |
| 3 | 70998103 | 1 | 2 | BUCHA | BUSH | BUJE | BAGUÉ |
| 4 | 70650116 | 1 | 2 | BUJÃO | PLUG | TAPÓN | BOUCHON |
| 5 | 2431A051 | 1 | 5 | BUJÃO | PLUG | TAPÓN | BOUCHON |
| 6 | 33137408 | | 2 | ANEL LOCALIZADOR | THIMBLE | GUÍA | BAGUE |
| 7 | 70430001 | 1 | 2 | CONTRAPESO | WEIGHT | CONTRAPESO | MASSE |
| 8 | 70750043 | 1 | 1 | EIXO MOTOR | SHAFT | EJE | ARBRE |
| 9 | 70750045 | 1 | 1 | EIXO MOVIDO | SHAFT | EJE | ARBRE |
| 10 | 2576675 | 1 | 2 | CHAVETTA | KEY | CHAVETA | CLAVETTE |
| 11 | 70998174 | 1 | 2 | ENGRENAGEM | GEAR | ENGRANAJE | PIGNON |
| 12 | 2172513 | 1 | 6 | PARAFUSO | BOLT | TORNILLO | VIS |
| 13 | 2171225 | 1 | 4 | PARAFUSO | BOLT | TORNILLO | VIS |
| 14 | 70991042 | 1 | 1 | ENGRENAGEM | GEAR | ENGRANAJE | PIGNON |
| 15 | 70050113 | 14 | 1 | BUCHA | BUSH | BUJE | BAGUE |
| 16 | 33451801 | 1 | 1 | CUBO | HUB | CUBO | MOYEU |
| 17 | 33153133 | 1 | 1 | PLACA | PLATE | PLACA | PLAQUE |
| 18 | 0610879 | 1 | 1 | PINO GUIA | DOWEL | ESPIGA | PION |
| 19 | 0096633 | 1 | 1 | PARAFUSO | BOLT | TORNILLO | VIS |
| 20 | 37714234 | 1 | 1 | CORPO | BODY | CUERPO | CORPS |
| 21 | 36237156 | 1 | 1 | PLACA | PLATE | PLACA | PLAQUE |
| 22 | 70998129 | 1 | 1 | ENGRENAGEM | GEAR | ENGRANAJE | PIGNON |
| 23 | 70998128 | 1 | 1 | ENGRENAGEM | GEAR | ENGRANAJE | PIGNON |
| 24 | 32455123 | 1 | 1 | EIXO | SHAFT | EJE | ARBRE |
| 25 | 424819 | 1 | 1 | JOGO DE REPARO | REPAIR KIT | JUEGO REPARACIÓN | JEU REPARATION |
| 26 | | 25 | 1 | ÊMBOLO | PLUNGER | ÊMBOLO | PISTÓN |
| 27 | | 25 | 1 | MOLA | SPRING | RESORTE | RESSORT |
| 28 | | 25 | 1 | CAPA | CAP | CASQUILLO | CUVETTE |
| 29 | 0610012 | 25 | 1 | CONTRA PINO | COTTER PIN | PASADOR DOBLE | GOUPILLE |
| 30 | 0350005 | 1 | 2 | PINO GUIA | DOWEL | ESPIGA | PION |
| 31 | 0096236 | 1 | 5 | PARAFUSO | BOLT | TORNILLO | VIS |
| 32 | 0920053 | 1 | 5 | ARRUELA | WASHER | ARANDELA | RONDELLE |
| 33 | 0096237 | | 2 | PARAFUSO | BOLT | TORNILLO | VIS |
| 34 | 0920053 | | 2 | ARRUELA | WASHER | ARANDELA | RONDELLE |
| 35 | 2184546 | | 1 | PARAFUSO | BOLT | TORNILLO | VIS |
| 36 | 0096441 | | 1 | PARAFUSO | BOLT | TORNILLO | VIS |
| 37 | 0096439 | | 2 | PARAFUSO | BOLT | TORNILLO | VIS |
| 38 | 0920054 | | 4 | ARRUELA | WASHER | ARANDELA | RONDELLE |
| 39 | 36866722 | 1 | 1 | JUNTA | JOINT | JUNTA | JOINT |

BALANCEADOR DINÂMICO E BOMBA DE ÓLEO LUBRIFICANTE
 BALANCER UNIT AND LUBRICATING OIL PUMP
 COMPENSADOR Y BOMBA DE ACEITE LUBRICANTE
 ÉQUILIBREUR ET POMPE À HUILE LUBRIFIANTE

GRUPO
 GROUP 1518
 GRUPO
 GROUPE



BALANCEADOR DINÂMICO E BOMBA DE ÓLEO LUBRIFICANTE
BALANCER UNIT AND LUBRICATING OIL PUMP
COMPENSADOR Y BOMBA DE ACEITE LUBRIFICANTE
ÉQUILIBREUR ET POMPE À HUILE LUBRIFIANTE

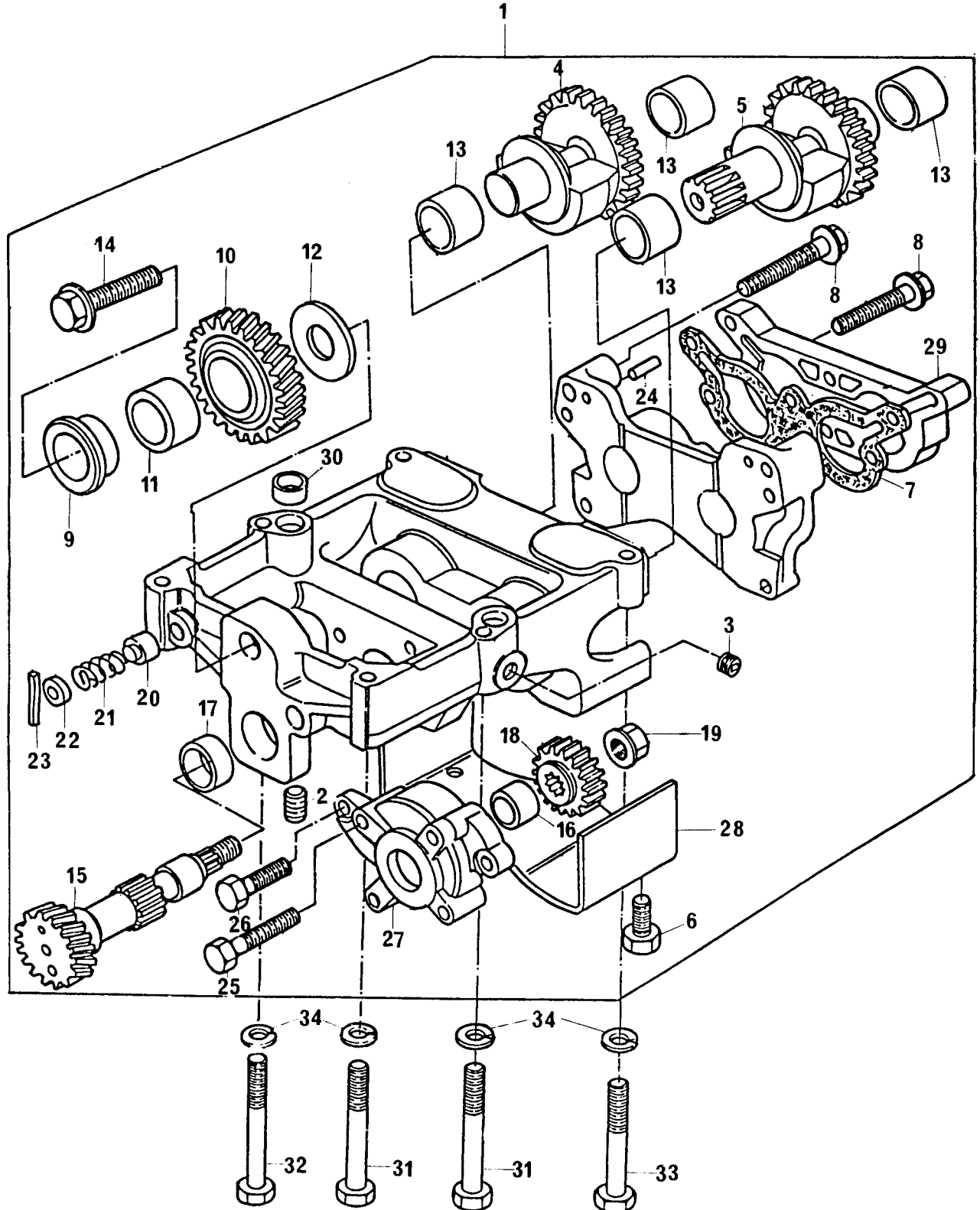
GRUPO
GROUP
GRUPO
GROUPE

15/18

| | | | | | | | |
|----|----------|-------------|---|------------------|---------------|---------------|-------------|
| 1 | 4111K057 | | 1 | BALANCEADOR | BALANCER UNIT | COMPENSADOR | EQUILIBREUR |
| 2 | 70650118 | 1 | 1 | BUJÃO | PLUG | TAPÓN | BOUCHON |
| 3 | 32558314 | 1 | 1 | BUJÃO | PLUG | TAPÓN | BOUCHON |
| 4 | 3116K004 | 1 | 1 | CONTRAPESO | WEIGHT | CONTRAPESO | MASSE |
| 5 | 3116K014 | 1 | 1 | CONTRAPESO | WEIGHT | CONTRAPESO | MASSE |
| 6 | 2314C034 | 1 | 4 | PARAFUSO | BOLT | TORNILLO | VIS |
| 7 | 3687M006 | 1 | 1 | JUNTA | JOINT | JUNTA | JOINT |
| 8 | 2315C052 | 1 | 4 | PARAFUSO | BOLT | TORNILLO | VIS |
| 9 | 33451804 | 1 | 1 | CUBO | HUB | CUBO | MOYEU |
| 10 | 3117C072 | 1 | 1 | ENGRENAGEM | GEAR | ENGRANAJE | PIGNON |
| 11 | 2551A201 | 1 | 1 | ROLAMENTO | BEARING | COJINETE | ROULEMENT |
| 12 | 3321A002 | 1 | 1 | ARRUELA | WASHER | ARANDELA | RONDELLE |
| 13 | 2511A730 | 1 | 4 | BUCHA | BUSH | BUJE | BAGUE |
| 14 | 2314J606 | 1 | 1 | PARAFUSO | BOLT | TORNILLO | VIS |
| 15 | 3117V003 | 1 | 1 | EIXO | SHAFT | EJE | ARBRE |
| 16 | 2551A014 | 1 | 1 | ROLAMENTO | BEARING | COJINETE | ROULEMENT |
| 17 | 2551A009 | 1 | 1 | ROLAMENTO | BEARING | COJINETE | ROULEMENT |
| 18 | 3116W001 | 1 | 1 | ENGRENAGEM | GEAR | ENGRANAJE | PIGNON |
| 19 | 33531136 | 1 | 1 | PORCA | NUT | TUERCA | ÉCROU |
| 20 | 3272E005 | 1 | 1 | ÊMBOLO | PLUNGER | EMBOLO | PISTÓN |
| 21 | 3174D004 | 1 | 1 | MOLA | SPRING | RESORTE | RESSORT |
| 22 | 3342A611 | 1 | 1 | CAPA | CAP | CASQUILLO | CUVETTE |
| 23 | 2116A056 | 1 | 1 | PINO | PIN | PERNO | AXE |
| 24 | 0350042 | 1 | 2 | PINO | PIN | PERNO | AXE |
| 25 | 2315C059 | 1 | 2 | PARAFUSO | BOLT | TORNILLO | VIS |
| 26 | 2315C053 | 1 | 1 | PARAFUSO | BOLT | TORNILLO | VIS |
| 27 | 4132F041 | 1 | 1 | BOMBA DE ÓLEO | PUMP | BOMBA | POMPE |
| 28 | 3661K001 | 1 | 1 | TAMPA | COVER | TAPA | COUVERCLE |
| 29 | 3753R061 | 1 | 1 | TAMPA | COVER | TAPA | COUVERCLE |
| 30 | 33137408 | | 2 | ANEL LOCALIZADOR | THIMBLE | GUÍA | BAGUE |
| 31 | 0096441 | | 3 | PARAFUSO | BOLT | TORNILLO | VIS |
| 32 | 0096442 | | 1 | PARAFUSO | BOLT | TORNILLO | VIS |
| 33 | 0096439 | | 2 | PARAFUSO | BOLT | TORNILLO | VIS |
| 34 | 0920054 | | 6 | ARRUELA | WASHER | ARANDELA | RONDELLE |
| 35 | 2116024 | | 4 | PINO ELÁSTICO | COTTER PIN | PASADOR DOBLE | GOUPILLE |
| 36 | 70992547 | | 4 | TUBO | PIPE | CAÑO | TUYAUTERIE |
| 37 | 72122 | ●○ 4138A017 | 4 | VÁLVULA | VALVE | VÁLVULA | SOUPAPE |

BALANCEADOR DINÂMICO E BOMBA DE ÓLEO LUBRIFICANTE
BALANCER UNIT AND LUBRICATING OIL PUMP
COMPENSADOR Y BOMBA DE ACEITE LUBRICANTE
ÉQUILIBREUR ET POMPE À HUILE LUBRIFIANTE

GRUPO
GROUP 15/21
GRUPO
GROUPE



BALANCEADOR DINÂMICO E BOMBA DE ÓLEO LUBRIFICANTE
BALANCER UNIT AND LUBRICATING OIL PUMP
COMPENSADOR Y BOMBA DE ACEITE LUBRICANTE
ÉQUILIBREUR ET POMPE À HUILE LUBRIFIANTE

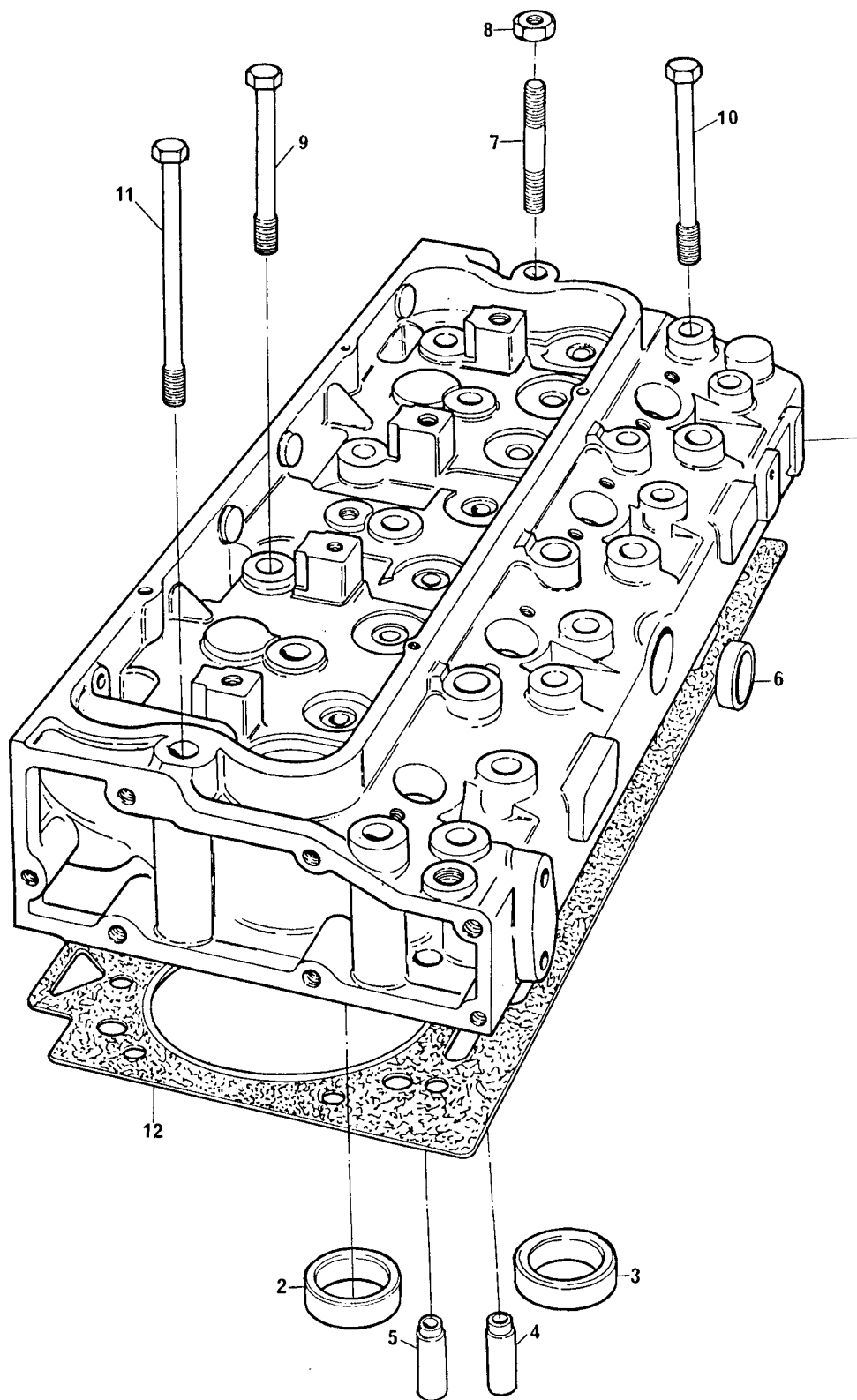
GRUPO
GROUP 15/21
GRUPO
GROUPE

| | | | | | | | |
|----|----------|---|---|------------------|---------------|-------------|-------------|
| 1 | 4111K055 | | 1 | BALANCEADOR | BALANCER UNIT | COMPENSADOR | EQUILIBREUR |
| 2 | 70650118 | 1 | 1 | BUJÃO | PLUG | TAPÓN | BOUCHON |
| 3 | 32558314 | 1 | 1 | BUJÃO | PLUG | TAPÓN | BOUCHON |
| 4 | 3116K004 | 1 | 1 | CONTRAPESO | WEIGHT | CONTRAPESO | MASSE |
| 5 | 3116K014 | 1 | 1 | CONTRAPESO | WEIGHT | CONTRAPESO | MASSE |
| 6 | 2314C034 | 1 | 4 | PARAFUSO | BOLT | TORNILLO | VIS |
| 7 | 3687M006 | 1 | 1 | JUNTA | JOINT | JUNTA | JOINT |
| 8 | 2315C052 | 1 | 4 | PARAFUSO | BOLT | TORNILLO | VIS |
| 9 | 33451804 | 1 | 1 | CUBO | HUB | CUBO | MOYEU |
| 10 | 3117C072 | 1 | 1 | ENGRENAGEM | GEAR | ENGRANAJE | PIGNON |
| 11 | 2551A201 | 1 | 1 | ROLAMENTO | BEARING | COJINETE | ROULEMENT |
| 12 | 3321A002 | 1 | 1 | ARRUELA | WASHER | ARANDELA | RONDELLE |
| 13 | 2511A730 | 1 | 4 | BUCHA | BUSH | BUJE | BAGUE |
| 14 | 2314J606 | 1 | 1 | PARAFUSO | BOLT | TORNILLO | VIS |
| 15 | 3117V003 | 1 | 1 | EIXO | SHAFT | EJE | ARBRE |
| 16 | 2551A014 | 1 | 1 | ROLAMENTO | BEARING | COJINETE | ROULEMENT |
| 17 | 2551A009 | 1 | 1 | ROLAMENTO | BEARING | COJINETE | ROULEMENT |
| 18 | 3116W001 | 1 | 1 | ENGRENAGEM | GEAR | ENGRANAJE | PIGNON |
| 19 | 33531136 | 1 | 1 | PORCA | NUT | TUERCA | ÉCROU |
| 20 | 3272E005 | 1 | 1 | ÊMBOLO | PLUNGER | EMBOLO | PISTÓN |
| 21 | 3174D005 | 1 | 1 | MOLA | SPRING | RESORTE | RESSORT |
| 22 | 3342A611 | 1 | 1 | CAPA | CAP | CASQUILLO | CUVETTE |
| 23 | 2116A056 | 1 | 1 | PINO | PIN | PERNO | AXE |
| 24 | 0350042 | 1 | 2 | PINO | PIN | PERNO | AXE |
| 25 | 2315C059 | 1 | 2 | PARAFUSO | BOLT | TORNILLO | VIS |
| 26 | 2315C053 | 1 | 1 | PARAFUSO | BOLT | TORNILLO | VIS |
| 27 | 4132F041 | 1 | 1 | BOMBA DE ÓLEO | PUMP | BOMBA | POMPE |
| 28 | 3661K001 | 1 | 1 | TAMPA | COVER | TAPA | COUVERCLE |
| 29 | 3753R061 | 1 | 1 | TAMPA | COVER | TAPA | COUVERCLE |
| 30 | 33137408 | | 2 | ANEL LOCALIZADOR | THIMBLE | GUÍA | BAGUE |
| 31 | 0096441 | | 3 | PARAFUSO | BOLT | TORNILLO | VIS |
| 32 | 0096442 | | 1 | PARAFUSO | BOLT | TORNILLO | VIS |
| 33 | 0096439 | | 2 | PARAFUSO | BOLT | TORNILLO | VIS |
| 34 | 0920054 | | 6 | ARRUELA | WASHER | ARANDELA | RONDELLE |

CABEÇOTE
CYLINDER HEAD
CULATA
CULASSE

GRUPO
GROUP
GRUPO
GROUPE













17/10



**CABEÇOTE
CYLINDER HEAD
CULATA
CULASSE**

**GRUPO
GROUP
GRUPO
GROUPE**

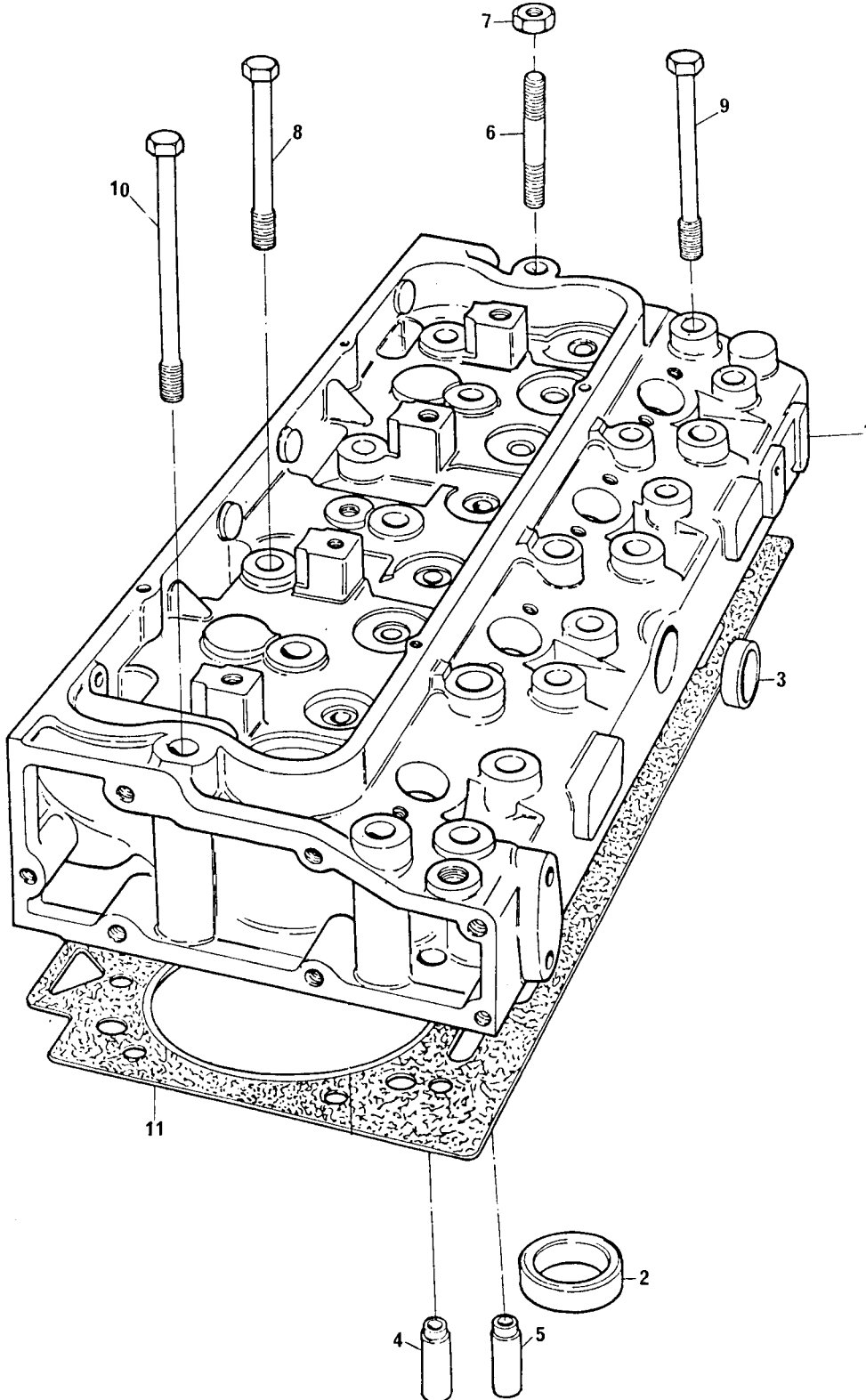
17/10

| | | | | | | | |
|-----------------|------------|---|---|--------------------|----------------|------------------|-----------------|
| 1 | |  | 4236205 | 1 CABEÇOTE | CYLINDER HEAD | CULATA | CULASSE |
| 2 | 33152153 | 1 | STD | 4 SEDE DE ESCAPE | INSERT EXHAUST | INSERTO ESCAPE | SIEGE RAPPORTÉ |
| 2 | 33152153 A | | ▼ + . 010" | X SEDE DE ESCAPE | INSERT EXHAUST | INSERTO ESCAPE | SIEGE RAPPORTÉ |
| 2 | 33152153 B | | ▼ + . 020" | X SEDE DE ESCAPE | INSERT EXHAUST | INSERTO ESCAPE | SIEGE RAPPORTÉ |
| 2 | 33152153 C | | ▼ + . 030" | X SEDE DE ESCAPE | INSERT EXHAUST | INSERTO ESCAPE | SIEGE RAPPORTÉ |
| 3 | 70470053 | 1 | STD | 4 SEDE DE ADMISSÃO | INSERT INLET | INSERTO ADMISIÓN | SIEGE RAPPORTÉ |
| 3 | 33152155 A | | ▼ + . 010" | X SEDE DE ADMISSÃO | INSERT INLET | INSERTO ADMISIÓN | SIEGE RAPPORTÉ |
| 3 | 33152155 B | | ▼ + . 020" | X SEDE DE ADMISSÃO | INSERT INLET | INSERTO ADMISIÓN | SIEGE RAPPORTÉ |
| 3 | 33152155 C | | ▼ + . 030" | X SEDE DE ADMISSÃO | INSERT INLET | INSERTO ADMISIÓN | SIEGE RAPPORTÉ |
| 4 | 33261732 | 1 | | 4 GUIA DE ADMISSÃO | INLET GUIDE | GUIA ADMISIÓN | GUIDE ADMISSION |
| 5 | 33261752 | 1 | | 4 GUIA DE ESCAPE | EXHAUST GUIDE | GUIA ESCAPE | GUIDE ÉCHAPP |
| 6 | 70650075 | 1 | | 1 BUJÃO | PLUG | TAPÓN | BOUCHON |
| * | 70910010 | 1 | | 4 VÁLVULA ESCAPE | EXHAUST VALVE | VÁLVULA ESCAPE | SOUPAPE ÉCHAPP |
| * | 70998075 | 1 | | 4 VÁLVULA ADMISSÃO | INLET VALVE | VÁLVULA ADMISIÓN | SOUPAPE ADM. |
| * | 70998120 | 1 |  | 8 VEDADOR | SEAL | RETÉN | GUARNITURE |
| * | 31745122 | 1 | | 8 MOLA EXTERNA | OUTER SPRING | RESORTE EXTERIOR | RESSORT EXT. |
| * | 31744133 | 1 | | 8 MOLA INTERNA | INNER SPRING | RESORTE INTERIOR | RESSORT INT. |
| * | 33415118 | 1 | | 8 ARRUELA | WASHER | ARANDELA | RONDELLE |
| * | 70230008 | 1 | | 16 TRAVA | COTTER | SEGURO CÔNICO | CLAVETTE |
| * | 33424107 | 1 | | 8 CAPA | CAP | CASQUILLO | CUVETTE |
| + | 70490379 | 1 |  | 1 JUNTA | JOINT | JUNTA | JOINT |
| + | 36212152 | 1 | | 1 TAMPA TRASEIRA | REAR COVER | TAPA TRASERA | COUVERCLE |
| + | 0746255 | 1 | | 6 PARAFUSO | BOLT | TORNILLO | VIS |
| + | 0920053 | 1 | | 6 ARRUELA | WASHER | ARANDELA | RONDELLE |
| 7 | 32526312 | |  | 275652P | 2 PRISIONEIRO | STUD | ESPÁRRAGO |
| 8 | 33221316 | |  | 275652P | 2 PORCA | NUT | TUERCA |
| 9 | 32181424 | |  | 275652P | 6 PARAFUSO | BOLT | TORNILLO |
| 9 | 32166337 | |  | 275653P | 2 PARAFUSO | BOLT | TORNILLO |
| 10 | 32181425 | |  | 275652P | 12 PARAFUSO | BOLT | TORNILLO |
| 10 | 32166338 | |  | 275653P | 12 PARAFUSO | BOLT | TORNILLO |
| 11 | 32181426 | |  | 275652P | 2 PARAFUSO | BOLT | TORNILLO |
| 11 | 32166339 | |  | 275653P | 8 PARAFUSO | BOLT | TORNILLO |
| 12 | 3681E034 | |  | 70490195 | 1 JUNTA | GASKET | JUNTA |
| * VIDE GRUPO 18 | | | | | | | |
| SEE GROUP 18 | | | | | | | |
| VÉASE GRUPO 18 | | | | | | | |
| VOIR GROUPE 18 | | | | | | | |
| + VIDE GRUPO 36 | | | | | | | |
| SEE GROUP 36 | | | | | | | |
| VÉASE GRUPO 36 | | | | | | | |
| VOIR GROUPE 36 | | | | | | | |

CABEÇOTE
CYLINDER HEAD
CULATA
CULASSE

GRUPO
GROUP
GRUPO
GROUPE












17/16



CABEÇOTE
CYLINDER HEAD
CULATA
CULASSE

GRUPO
GROUP
GRUPO
GROUPE

17/16

| | | | | | | | |
|----|------------|---|---|-----------------------|----------------|------------------|-----------------|
| 1 | |  | 4236205 | 1 CABEÇOTE | CYLINDER HEAD | CULATA | CULASSE |
| 2 | 33152153 | 1 | STD | 4 SEDE DE ESCAPE | INSERT EXHAUST | INSERTO ESCAPE | SIEGE RAPPORTÉ |
| 2 | 33152153 A | | ▼ + . 010" | X SEDE DE ESCAPE | INSERT EXHAUST | INSERTO ESCAPE | SIEGE RAPPORTÉ |
| 2 | 33152153 B | | ▲ + . 020" | X SEDE DE ESCAPE | INSERT EXHAUST | INSERTO ESCAPE | SIEGE RAPPORTÉ |
| 2 | 33152153 C | | ▲ + . 030" | X SEDE DE ESCAPE | INSERT EXHAUST | INSERTO ESCAPE | SIEGE RAPPORTÉ |
| 3 | 70650075 | 1 | | 1 BUJÃO | PLUG | TAPÓN | BOUCHON |
| * | 70910010 | 1 | STD | 4 VÁLVULA ESCAPE | EXHAUST VALVE | VÁLVULA ESCAPE | SOUPAPE ÉCHAPP |
| * | 70910010 A | | ▼ + . 015" | X VÁLVULA ESCAPE | EXHAUST VALVE | VÁLVULA ESCAPE | SOUPAPE ÉCHAPP |
| * | 70910010 B | | ▲ + . 030" | X VÁLVULA ESCAPE | EXHAUST VALVE | VÁLVULA ESCAPE | SOUPAPE ÉCHAPP |
| * | 70998075 | 1 | STD | 4 VÁLVULA ADMISSÃO | INLET VALVE | VÁLVULA ADMISIÓN | SOUPAPE ADM. |
| * | 70910009 A | | ▼ + . 015" | X VÁLVULA ADMISSÃO | INLET VALVE | VÁLVULA ADMISIÓN | SOUPAPE ADM. |
| * | 70910009 B | | ▲ + . 030" | X VÁLVULA ADMISSÃO | INLET VALVE | VÁLVULA ADMISIÓN | SOUPAPE ADM. |
| * | 70998120 | 1 | STD | 8 VEDADOR | SEAL | RETÉN | GUARNITURE |
| * | 70730034 A | | ▼ + . 015" | X VEDADOR | SEAL | RETÉN | GUARNITURE |
| * | 70730034 B | | ▲ + . 030" | X VEDADOR | SEAL | RETÉN | GUARNITURE |
| * | 31745122 | 1 | | 8 MOLA EXTERNA | OUTER SPRING | RESORTE EXTERIOR | RESSORT EXT. |
| * | 31744133 | 1 | | 8 MOLA INTERNA | INNER SPRING | RESORTE INTERIOR | RESSORT INT. |
| * | 33415118 | 1 | | 8 ARRUELA | WASHER | ARANDELA | RONDELLE |
| * | 70230008 | 1 | | 16 TRAVA | COTTER | SEGURO CÔNICO | CLAVETTE |
| * | 33424107 | 1 | | 8 CAPA | CAP | CASQUILLO | CUVETTE |
| + | 70490379 | 1 |  | 36851409 1 JUNTA | JOINT | JUNTA | JOINT |
| + | 36212152 | 1 | | 1 TAMPÁ TRASEIRA | REAR COVER | TAPA TRASERA | COUVERCLE |
| + | 0746255 | 1 | | 6 PARAFUSO | BOLT | TORNILLO | VIS |
| + | 0920053 | 1 | | 6 ARRUELA | WASHER | ARANDELA | RONDELLE |
| 4 | 33261732 | 1 | | 4 GUIA ADMISSÃO | INLET GUIDE | GUIA ADMISIÓN | GUIDE ADMISSION |
| 5 | 33261752 | 1 | | 4 GUIA ESCAPE | EXHAUST GUIDE | GUIA ESCAPE | GUIDE ÉCHAPP |
| 6 | 32526312 | |  | 275652P 2 PRISIONEIRO | STUD | ESPÁRAGO | GOUJON |
| 7 | 33221316 | |  | 275652P 2 PORCA | NUT | TUERCA | ÉCROU |
| 8 | 32181424 | |  | 275652P 6 PARAFUSO | BOLT | TORNILLO | VIS |
| 8 | 32166337 | |  | 275653P 2 PARAFUSO | BOLT | TORNILLO | VIS |
| 9 | 32181425 | |  | 275652P 12 PARAFUSO | BOLT | TORNILLO | VIS |
| 9 | 32166338 | |  | 275653P 12 PARAFUSO | BOLT | TORNILLO | VIS |
| 10 | 32181426 | |  | 275652P 2 PARAFUSO | BOLT | TORNILLO | VIS |
| 10 | 32166339 | |  | 275653P 8 PARAFUSO | BOLT | TORNILLO | VIS |
| 11 | 3681E034 | |  | 70490195 1 JUNTA | GASKET | JUNTA | JOINT |

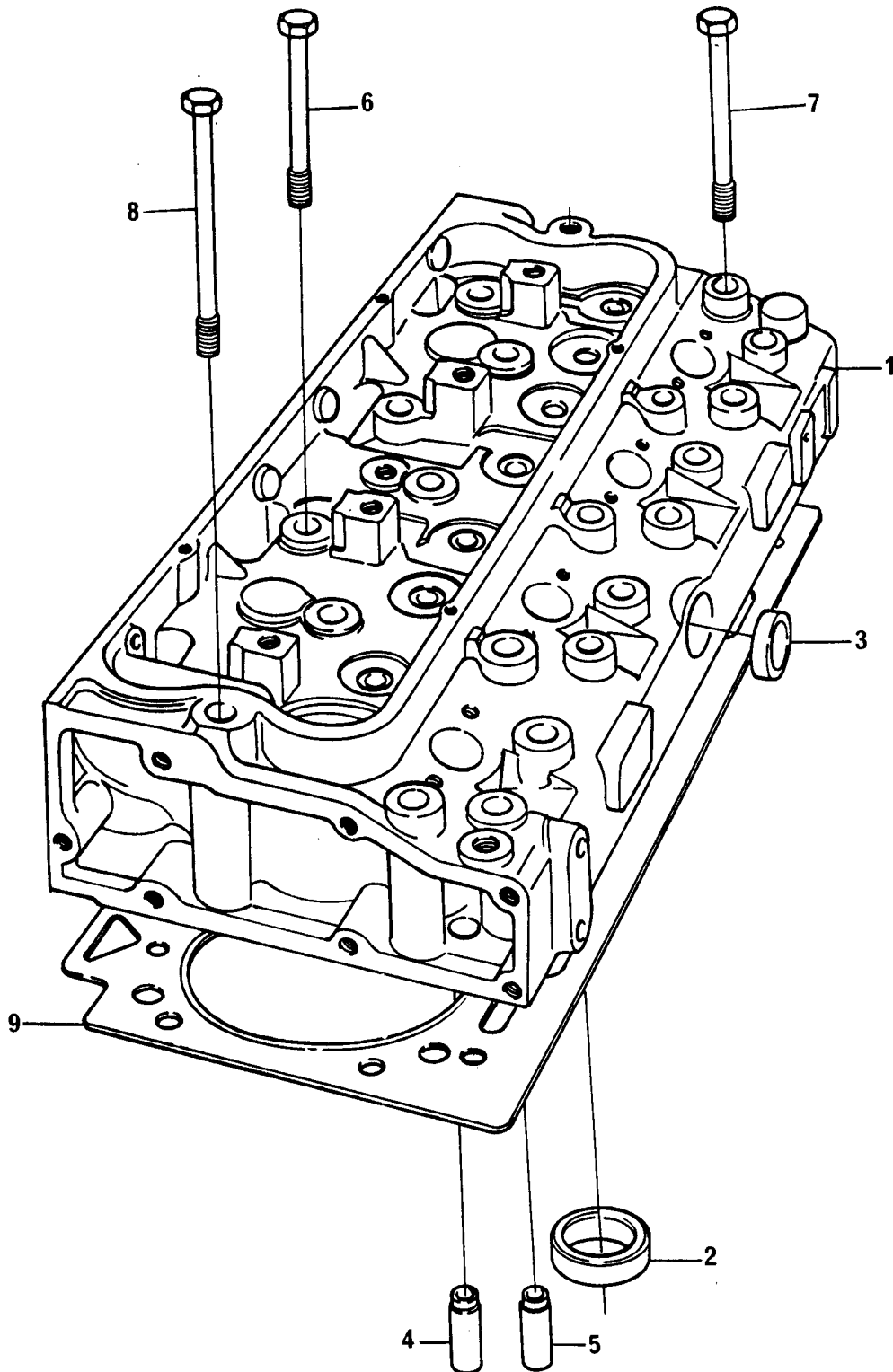
* VIDE GRUPO 18
 SEE GROUP 18
 VÉASE GRUPO 18
 VOIR GROUPE 18

+ VIDE GRUPO 36
 SEE GROUP 36
 VÉASE GRUPO 36
 VOIR GROUPE 36

CABEÇOTE
CYLINDER HEAD
CULATA
CULASSE

GRUPO
GROUP
GRUPO
GROUPE

17/27



CABEÇOTE
CYLINDER HEAD
CULATA
CULASSE

GRUPO
GROUP
GRUPO
GROUPE

17/27

| | | | | | | | | |
|---|----------|---|-------------------|----|------------------|----------------|------------------|-----------------|
| 1 | 4236206 | | | 1 | CABEÇOTE | CYLINDER HEAD | CULATA | CULASSE |
| 2 | 33152153 | 1 | STD | 4 | SEDE DE ESCAPE | INSERT EXHAUST | INSERTO ESCAPE | SIEGE RAPPORTÉ |
| 2 | 33152153 | A | ▼ + . 010" | X | SEDE DE ESCAPE | INSERT EXHAUST | INSERTO ESCAPE | SIEGE RAPPORTÉ |
| 2 | 33152153 | B | ▼ + . 020" | X | SEDE DE ESCAPE | INSERT EXHAUST | INSERTO ESCAPE | SIEGE RAPPORTÉ |
| 2 | 33152153 | C | ▼ + . 030" | X | SEDE DE ESCAPE | INSERT EXHAUST | INSERTO ESCAPE | SIEGE RAPPORTÉ |
| 3 | 70650075 | 1 | | 1 | BUJÃO | PLUG | TAPÓN | BOUCHON |
| * | 70998163 | 1 | ●○ 70910029 | 4 | VÁLVULA ESCAPE | EXHAUST VALVE | VÁLVULA ESCAPE | SOUPAPE ÉCHAPP |
| * | 70910032 | 1 | | 4 | VÁLVULA ADMISSÃO | INLET VALVE | VÁLVULA ADMISIÓN | SOUPAPE ADM. |
| * | 70998120 | 1 | → 514764Z | 8 | VEDADOR | SEAL | RETÉN | GUARNITURE |
| * | 70730051 | 1 | → 514765Z | 8 | VEDADOR | SEAL | RETÉN | GUARNITURE |
| * | 31745122 | 1 | | 8 | MOLA EXTERNA | OUTER SPRING | RESORTE EXTERIOR | RESSORT EXT. |
| * | 31744133 | 1 | | 8 | MOLA INTERNA | INNER SPRING | RESORTE INTERIOR | RESSORT INT. |
| * | 33415118 | 1 | | 8 | ARRUELA | WASHER | ARANDELA | RONDELLE |
| * | 70230010 | 1 | | 16 | TRAVA | COTTER | SEGURO CÔNICO | CLAVETTE |
| * | 70998121 | 1 | ●○ 70150040 | 8 | CAPA | CAP | CASQUILLO | CUVETTE |
| + | 70490379 | 1 | ●○ 36851409 | 1 | JUNTA | JOINT | JUNTA | JOINT |
| + | 36212152 | 1 | | 1 | TAMPA TRASEIRA | REAR COVER | TAPA TRASERA | COUVERCLE |
| + | 0746255 | 1 | | 6 | PARAFUSO | BOLT | TORNILLO | VIS |
| + | 0920053 | 1 | | 6 | ARRUELA | WASHER | ARANDELA | RONDELLE |
| 4 | 3343F002 | | → 407516V | 4 | GUIA ADMISSÃO | INLET GUIDE | GUIA ADMISIÓN | GUIDE ADMISSION |
| 4 | 70420017 | | 407517V ↔ 514764Z | 4 | GUIA ADMISSÃO | INLET GUIDE | GUIA ADMISIÓN | GUIDE ADMISSION |
| 4 | 70420019 | 1 | → 514765Z | 4 | GUIA ADMISSÃO | INLET GUIDE | GUIA ADMISIÓN | GUIDE ADMISSION |
| 5 | 3343J002 | | → 407516V | 4 | GUIA ESCAPE | EXHAUST GUIDE | GUIA ESCAPE | GUIDE ÉCHAPP |
| 5 | 70420017 | | 407517V ↔ 514764Z | 4 | GUIA ESCAPE | EXHAUST GUIDE | GUIA ESCAPE | GUIDE ÉCHAPP |
| 5 | 70420019 | 1 | → 514765Z | 4 | GUIA ESCAPE | EXHAUST GUIDE | GUIA ESCAPE | GUIDE ÉCHAPP |
| 6 | 32166337 | | → 448549Y | 2 | PARAFUSO | BOLT | TORNILLO | VIS |
| 6 | 70740340 | | → 448550Y | 2 | PARAFUSO | BOLT | TORNILLO | VIS |
| 7 | 32166338 | | → 448549Y | 12 | PARAFUSO | BOLT | TORNILLO | VIS |
| 7 | 70740341 | | → 448550Y | 12 | PARAFUSO | BOLT | TORNILLO | VIS |
| 8 | 32166339 | | → 448549Y | 8 | PARAFUSO | BOLT | TORNILLO | VIS |
| 8 | 70740342 | | → 448550Y | 8 | PARAFUSO | BOLT | TORNILLO | VIS |
| 9 | 3681E034 | | ●○ 3681E016 | 1 | JUNTA | GASKET | JUNTA | JOINT |

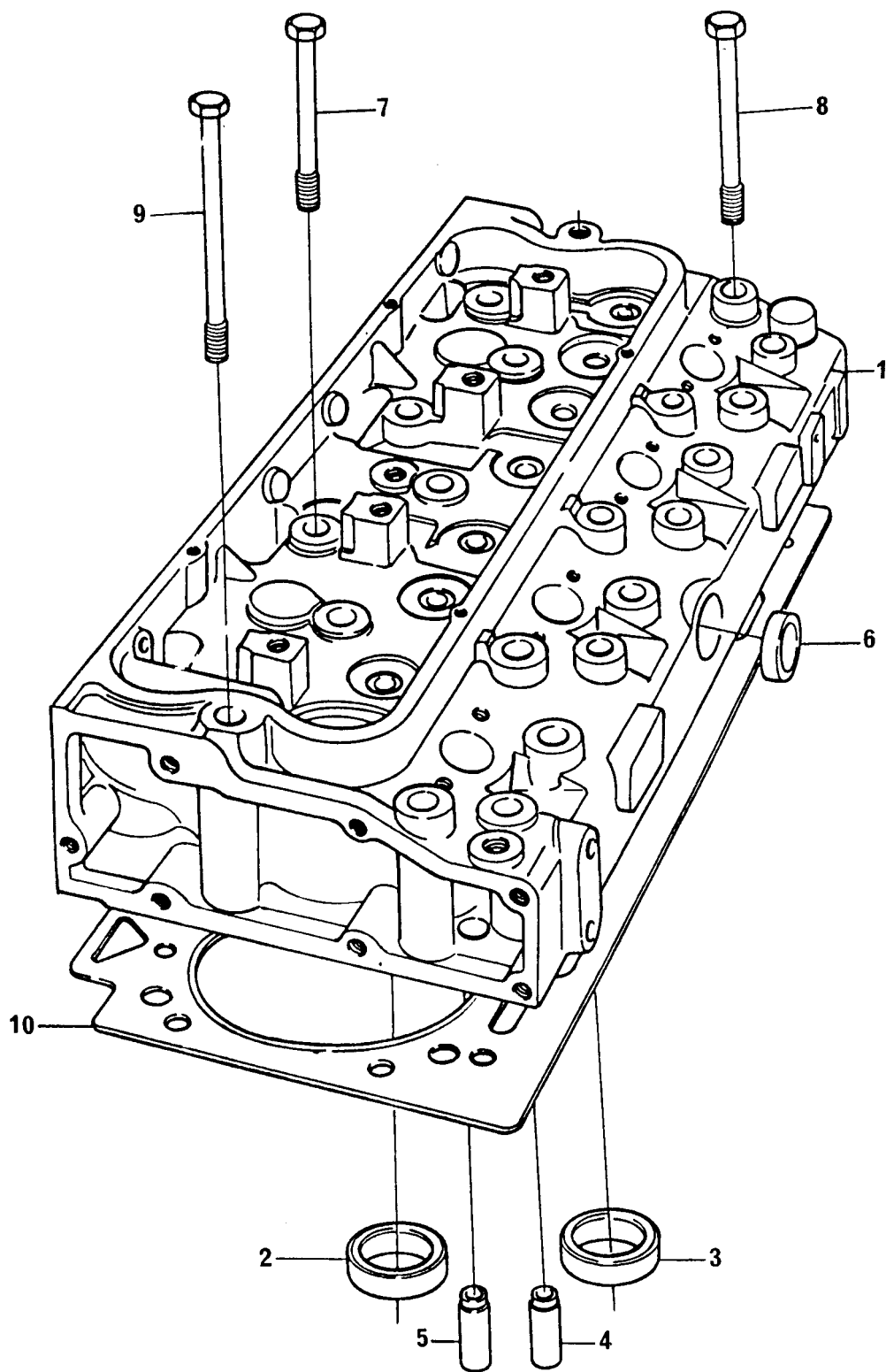
* VIDE GRUPO 18
 SEE GROUP 18
 VÉASE GRUPO 18
 VOIR GROUPE 18

+ VIDE GRUPO 36
 SEE GROUP 36
 VÉASE GRUPO 36
 VOIR GROUPE 36

CABEÇOTE
CYLINDER HEAD
CULATA
CULASSE

GRUPO
GROUP
GRUPO
GROUPE

17/31



**CABEÇOTE
CYLINDER HEAD
CULATA
CULASSE**

**GRUPO
GROUP
GRUPO
GROUPE**

17/31

| | | | | | | | | |
|----|----------|---|--------------|----|------------------|----------------|------------------|-----------------|
| 1 | 4236205 | | | 1 | CABEÇOTE | CYLINDER HEAD | CULATA | CULASSE |
| 2 | 33152153 | 1 | STD | 4 | SEDE DE ESCAPE | INSERT EXHAUST | INSERTO ESCAPE | SIEGE RAPPORTÉ |
| 2 | 33152153 | A | ▼ + . 010" | X | SEDE DE ESCAPE | INSERT EXHAUST | INSERTO ESCAPE | SIEGE RAPPORTÉ |
| 2 | 33152153 | B | ▼▼ + . 020" | X | SEDE DE ESCAPE | INSERT EXHAUST | INSERTO ESCAPE | SIEGE RAPPORTÉ |
| 2 | 33152153 | C | ▼▼▼ + . 030" | X | SEDE DE ESCAPE | INSERT EXHAUST | INSERTO ESCAPE | SIEGE RAPPORTÉ |
| 3 | 70470053 | 1 | STD | 4 | SEDE DE ADMISSÃO | INSERT INLET | INSERTO ADMISIÓN | SIEGE RAPPORTÉ |
| 3 | 33152155 | A | ▼ + . 010" | X | SEDE DE ADMISSÃO | INSERT INLET | INSERTO ADMISIÓN | SIEGE RAPPORTÉ |
| 3 | 33152155 | B | ▼▼ + . 020" | X | SEDE DE ADMISSÃO | INSERT INLET | INSERTO ADMISIÓN | SIEGE RAPPORTÉ |
| 3 | 33152155 | C | ▼▼▼ + . 030" | X | SEDE DE ADMISSÃO | INSERT INLET | INSERTO ADMISIÓN | SIEGE RAPPORTÉ |
| 4 | 33261732 | | → 407455V | 4 | GUIA DE ADMISSÃO | INLET GUIDE | GUIA ADMISIÓN | GUIDE ADMISSION |
| 4 | 70420017 | 1 | → 407456V | 4 | GUIA DE ADMISSÃO | INLET GUIDE | GUIA ADMISIÓN | GUIDE ADMISSION |
| 5 | 33261752 | | → 407455V | 4 | GUIA DE ESCAPE | EXHAUST GUIDE | GUIA ESCAPE | GUIDE ÉCHAPP |
| 5 | 70420017 | 1 | → 407456V | 4 | GUIA DE ESCAPE | EXHAUST GUIDE | GUIA ESCAPE | GUIDE ÉCHAPP |
| 6 | 70650075 | 1 | | 1 | BUJÃO | PLUG | TAPÓN | BOUCHON |
| * | 70998162 | 1 | ●○ 70910030 | 4 | VÁLVULA ADMISSÃO | INLET VALVE | VÁLVULA ADMISIÓN | SOUPAPE ADM. |
| * | 70998163 | 1 | ●○ 70910029 | 4 | VÁLVULA ESCAPE | EXHAUST VALVE | VÁLVULA ESCAPE | SOUPAPE ÉCHAPP |
| * | 70998120 | 1 | ●○ 70730044 | 8 | VEDADOR | SEAL | RETÉN | GUARNITURE |
| * | 31745122 | 1 | | 8 | MOLA EXTERNA | OUTER SPRING | RESORTE EXTERIOR | RESSORT EXT. |
| * | 31744133 | 1 | | 8 | MOLA INTERNA | INNER SPRING | RESORTE INTERIOR | RESSORT INT. |
| * | 33415118 | 1 | | 8 | ARRUELA | WASHER | ARANDELA | RONDELLE |
| * | 70230010 | 1 | | 16 | TRAVA | COTTER | SEGURO CÔNICO | CLAVETTE |
| * | 70998121 | 1 | | 8 | CAPA | CAP | CASQUILLO | CUVETTE |
| + | 70490379 | 1 | ●○ 36851409 | 1 | JUNTA | JOINT | JUNTA | JOINT |
| + | 36212152 | 1 | | 1 | TAMPA TRASEIRA | REAR COVER | TAPA TRASERA | COUVERCLE |
| + | 0746255 | 1 | | 6 | PARAFUSO | BOLT | TORNILLO | VIS |
| + | 0920053 | 1 | | 6 | ARRUELA | WASHER | ARANDELA | RONDELLE |
| 7 | 32166337 | | | 2 | PARAFUSO | BOLT | TORNILLO | VIS |
| 8 | 32166338 | | | 12 | PARAFUSO | BOLT | TORNILLO | VIS |
| 9 | 32166339 | | | 8 | PARAFUSO | BOLT | TORNILLO | VIS |
| 10 | 3681E034 | | ●○ 70490195 | 1 | JUNTA | GASKET | JUNTA | JOINT |

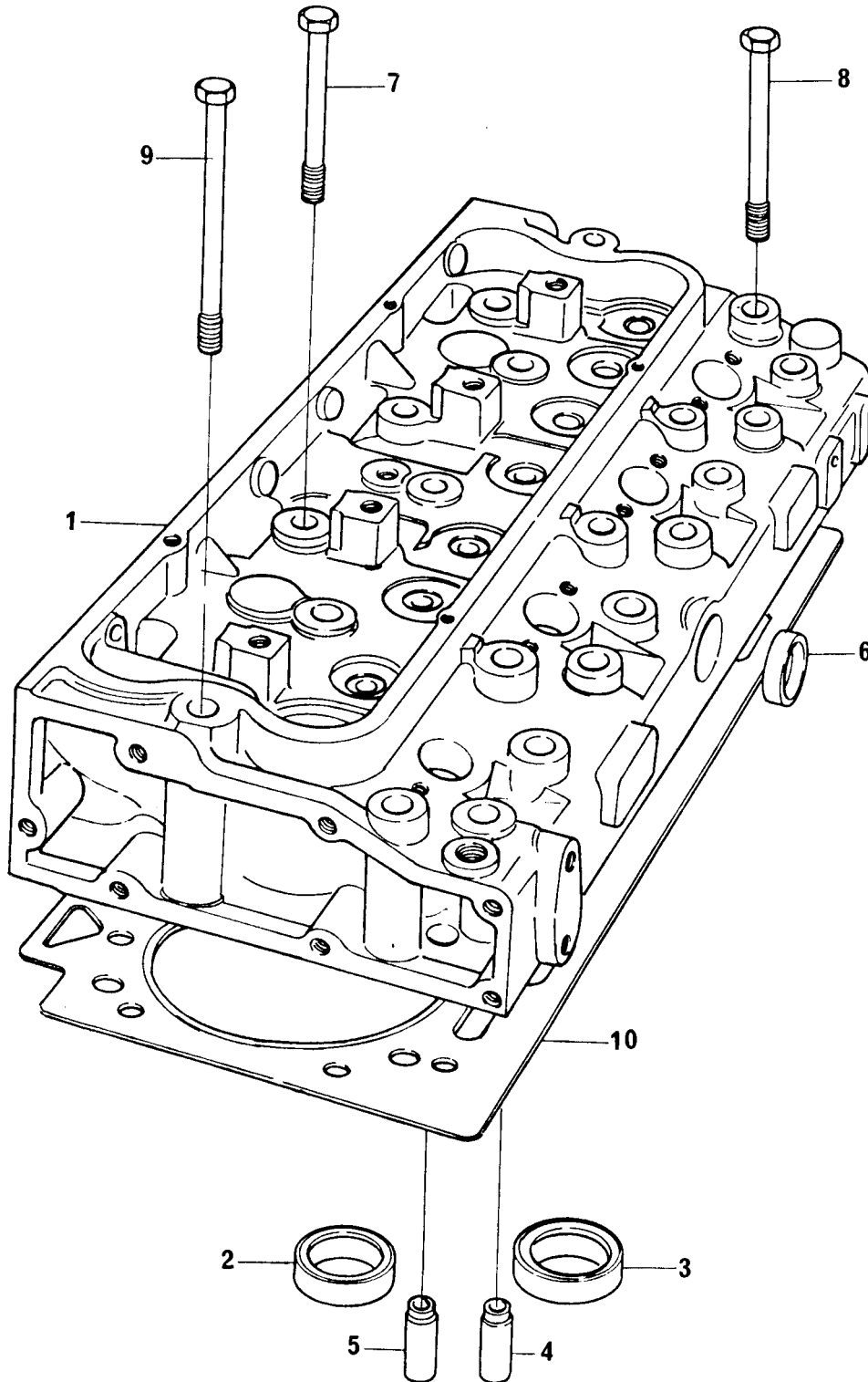
* VIDE GRUPO 18
SEE GROUP 18
VÉASE GRUPO 18
VOIR GROUPE 18

+ VIDE GRUPO 36
SEE GROUP 36
VÉASE GRUPO 36
VOIR GROUPE 36

CABEÇOTE
CYLINDER HEAD
CULATA
CULASSE

GRUPO
GROUP
GRUPO
GROUPE

17/32



CABEÇOTE
CYLINDER HEAD
CULATA
CULASSE

GRUPO
GROUP 17/32
GRUPO
GROUPE

| | | | | | | | | |
|----|----------|---|-------------------|----|------------------|----------------|------------------|-----------------|
| 1 | 4236205 | | | 1 | CABEÇOTE | CYLINDER HEAD | CULATA | CULASSE |
| 2 | 33152153 | 1 | STD | 4 | SEDE DE ESCAPE | INSERT EXHAUST | INSERTO ESCAPE | SIEGE RAPPORTÉ |
| 2 | 33152153 | A | ▼ + . 010" | X | SEDE DE ESCAPE | INSERT EXHAUST | INSERTO ESCAPE | SIEGE RAPPORTÉ |
| 2 | 33152153 | B | ▼▼ + . 020" | X | SEDE DE ESCAPE | INSERT EXHAUST | INSERTO ESCAPE | SIEGE RAPPORTÉ |
| 2 | 33152153 | C | ▼▼▼ + . 030" | X | SEDE DE ESCAPE | INSERT EXHAUST | INSERTO ESCAPE | SIEGE RAPPORTÉ |
| 3 | 70470053 | 1 | STD | 4 | SEDE DE ADMISSÃO | INSERT INLET | INSERTO ADMISIÓN | SIEGE RAPPORTÉ |
| 3 | 33152155 | A | ▼ + . 010" | X | SEDE DE ADMISSÃO | INSERT INLET | INSERTO ADMISIÓN | SIEGE RAPPORTÉ |
| 3 | 33152155 | B | ▼▼ + . 020" | X | SEDE DE ADMISSÃO | INSERT INLET | INSERTO ADMISIÓN | SIEGE RAPPORTÉ |
| 3 | 33152155 | C | ▼▼▼ + . 030" | X | SEDE DE ADMISSÃO | INSERT INLET | INSERTO ADMISIÓN | SIEGE RAPPORTÉ |
| 4 | 33261732 | | → 407452V | 4 | GUIA DE ADMISSÃO | INLET GUIDE | GUIA ADMISIÓN | GUIDE ADMISSION |
| 4 | 70420017 | | 407453V ↔ 514764Z | 4 | GUIA DE ADMISSÃO | INLET GUIDE | GUIA ADMISIÓN | GUIDE ADMISSION |
| 4 | 70420019 | | → 514765Z | 4 | GUIA DE ADMISSÃO | INLET GUIDE | GUIA ADMISIÓN | GUIDE ADMISSION |
| 5 | 33261752 | | → 407452V | 4 | GUIA DE ESCAPE | EXHAUST GUIDE | GUIA ESCAPE | GUIDE ÉCHAPP |
| 5 | 70420017 | | 407453V ↔ 514764Z | 4 | GUIA DE ESCAPE | EXHAUST GUIDE | GUIA ESCAPE | GUIDE ÉCHAPP |
| 5 | 70420019 | 1 | → 514765Z | 4 | GUIA DE ESCAPE | EXHAUST GUIDE | GUIA ESCAPE | GUIDE ÉCHAPP |
| 6 | 70650075 | 1 | | 1 | BUJÃO | PLUG | TAPÓN | BOUCHON |
| * | 70998162 | 1 | ●○ 70910030 | 4 | VÁLVULA ADMISSÃO | INLET VALVE | VÁLVULA ADMISIÓN | SOUPE ADM. |
| * | 70998163 | 1 | ●○ 70910029 | 4 | VÁLVULA ESCAPE | EXHAUST VALVE | VÁLVULA ESCAPE | SOUPE ÉCHAPP |
| * | 70730051 | 1 | | 8 | VEDADOR | SEAL | RETÉN | GUARNITURE |
| * | 31745122 | 1 | → 562781B | 8 | MOLA EXTERNA | OUTER SPRING | RESORTE EXTERIOR | RESSORT EXT. |
| * | 70998136 | 1 | → 562782B | 8 | MOLA EXTERNA | OUTER SPRING | RESORTE EXTERIOR | RESSORT EXT. |
| * | 31744133 | 1 | | 8 | MOLA INTERNA | INNER SPRING | RESORTE INTERIOR | RESSORT INT. |
| * | 33415118 | 1 | | 8 | ARRUELA | WASHER | ARANDELA | RONDELLE |
| * | 70230010 | 1 | | 16 | TRAVA | COTTER | SEGURO CÔNICO | CLAVETTE |
| * | 70998121 | 1 | → 562781B | 8 | CAPA | CAP | CASQUILLO | CUVETTE |
| * | 70150047 | 1 | → 562782B | 8 | CAPA | CAP | CASQUILLO | CUVETTE |
| + | 70490379 | 1 | ●○ 36851409 | 1 | JUNTA | JOINT | JUNTA | JOINT |
| + | 36212152 | 1 | | 1 | TAMPA TRASEIRA | REAR COVER | TAPA TRASERA | COUVERCLE |
| + | 0746255 | 1 | | 6 | PARAFUSO | BOLT | TORNILLO | VIS |
| + | 0920053 | 1 | | 6 | ARRUELA | WASHER | ARANDELA | RONDELLE |
| 7 | 70740340 | | ●○ 32166337 | 2 | PARAFUSO | BOLT | TORNILLO | VIS |
| 8 | 70740341 | | ●○ 32166338 | 12 | PARAFUSO | BOLT | TORNILLO | VIS |
| 9 | 70740342 | | ●○ 32166339 | 8 | PARAFUSO | BOLT | TORNILLO | VIS |
| 10 | 3681E034 | | ●○ 70490195 | 1 | JUNTA | GASKET | JUNTA | JOINT |

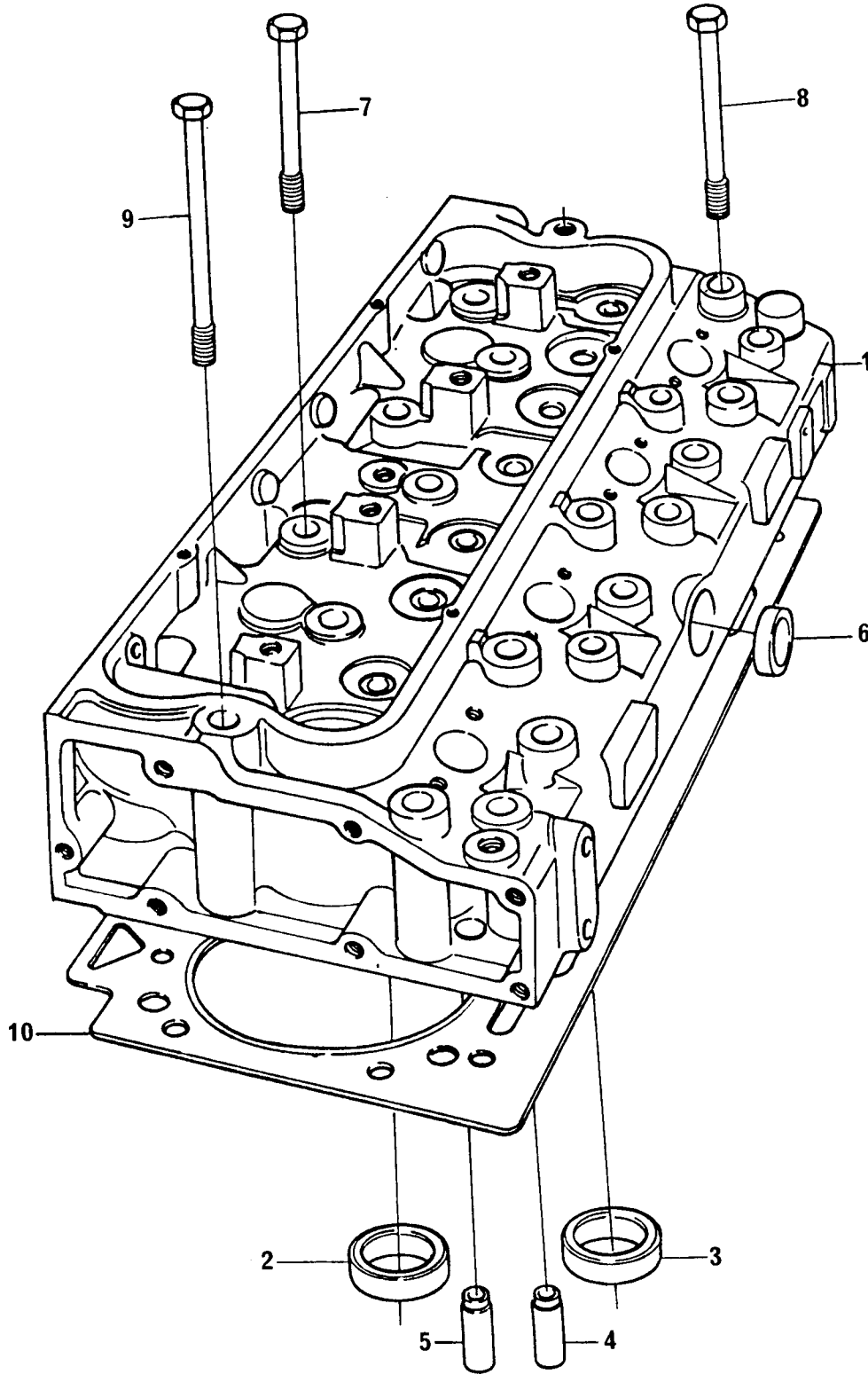
* VIDE GRUPO 18
 SEE GROUP 18
 VÉASE GRUPO 18
 VOIR GROUPE 18

+ VIDE GRUPO 36
 SEE GROUP 36
 VÉASE GRUPO 36
 VOIR GROUPE 36

CABEÇOTE
CYLINDER HEAD
CULATA
CULASSE

GRUPO
GROUP
GRUPO
GROUPE

17/35



**CABEÇOTE
CYLINDER HEAD
CULATA
CULASSE**

**GRUPO
GROUP
GRUPO
GROUPE**

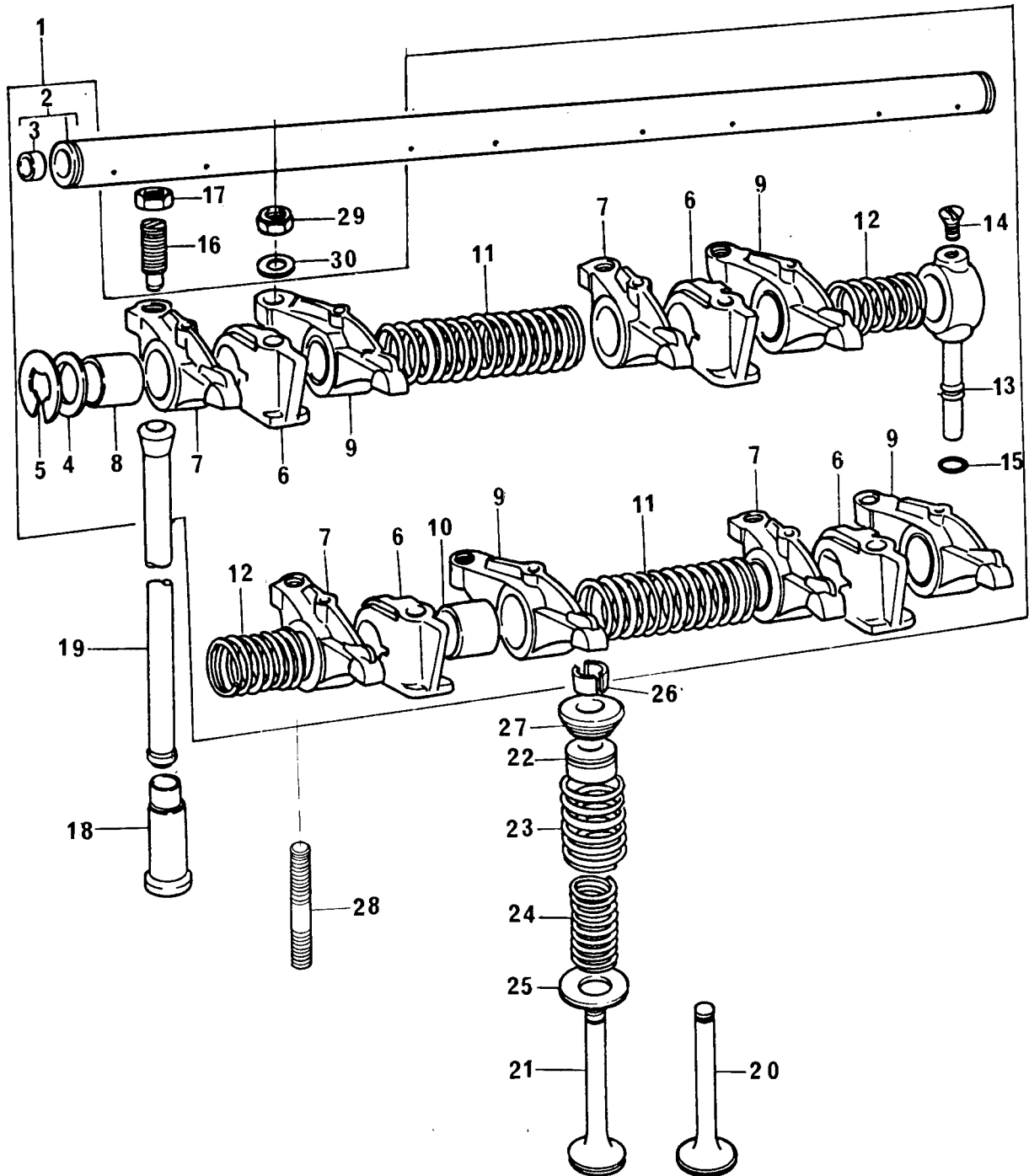
17/35

| | | | | | | | | |
|--------------|----------|----|-------------|----|------------------|----------------|------------------|-----------------|
| 1 | 4236207 | | | 1 | CABEÇOTE | CYLINDER HEAD | CULATA | CULASSE |
| 2 | 33152153 | 1 | STD | 4 | SEDE DE ESCAPE | INSERT EXHAUST | INSERTO ESCAPE | SIEGE RAPPORTÉ |
| 2 | 33152153 | A | ▼ + . 010" | X | SEDE DE ESCAPE | INSERT EXHAUST | INSERTO ESCAPE | SIEGE RAPPORTÉ |
| 2 | 33152153 | B | ▼ + . 020" | X | SEDE DE ESCAPE | INSERT EXHAUST | INSERTO ESCAPE | SIEGE RAPPORTÉ |
| 2 | 33152153 | C | ▼ + . 030" | X | SEDE DE ESCAPE | INSERT EXHAUST | INSERTO ESCAPE | SIEGE RAPPORTÉ |
| 3 | 70470053 | 1 | STD | 4 | SEDE DE ADMISSÃO | INSERT INLET | INSERTO ADMISIÓN | SIEGE RAPPORTÉ |
| 3 | 33152155 | A | ▼ + . 010" | X | SEDE DE ADMISSÃO | INSERT INLET | INSERTO ADMISIÓN | SIEGE RAPPORTÉ |
| 3 | 33152155 | B | ▼ + . 020" | X | SEDE DE ADMISSÃO | INSERT INLET | INSERTO ADMISIÓN | SIEGE RAPPORTÉ |
| 3 | 33152155 | C | ▼ + . 030" | X | SEDE DE ADMISSÃO | INSERT INLET | INSERTO ADMISIÓN | SIEGE RAPPORTÉ |
| 4 | 70420019 | 1 | | 4 | GUIA DE ADMISSÃO | INLET GUIDE | GUIA ADMISIÓN | GUIDE ADMISSION |
| 5 | 70420019 | 1 | | 4 | GUIA DE ESCAPE | EXHAUST GUIDE | GUIA ESCAPE | GUIDE ÉCHAPP |
| 6 | 70470066 | 1 | | 1 | BUJÃO | PLUG | TAPÓN | BOUCHON |
| * | 70998162 | 1 | ●○ 70910030 | 4 | VÁLVULA ADMISSÃO | INLET VALVE | VÁLVULA ADMISIÓN | SOUPAPE ADM. |
| * | 70998163 | 1 | ●○ 70910029 | 4 | VÁLVULA ESCAPE | EXHAUST VALVE | VÁLVULA ESCAPE | SOUPAPE ÉCHAPP |
| * | 70730051 | 1 | | 8 | VEDADOR | SEAL | RETÉN | GUARNITURE |
| * | 31745122 | 1 | | 8 | MOLA EXTERNA | OUTER SPRING | RESORTE EXTERIOR | RESSORT EXT. |
| * | 31744133 | 1 | | 8 | MOLA INTERNA | INNER SPRING | RESORTE INTERIOR | RESSORT INT. |
| * | 33415118 | 1 | | 8 | ARRUELA | WASHER | ARANDELA | RONDELLE |
| * | 70230010 | 1 | | 16 | TRAVA | COTTER | SEGURO CÔNICO | CLAVETTE |
| * | 70998121 | 1 | | 8 | CAPA | CAP | CASQUILLO | CUVETTE |
| + | 70490379 | 1 | ●○ 36851409 | 1 | JUNTA | JOINT | JUNTA | JOINT |
| + | 36212152 | 1 | | 1 | TAMPA TRASEIRA | REAR COVER | TAPA TRASERA | COUVERCLE |
| + | 0746255 | 1 | | 6 | PARAFUSO | BOLT | TORNILLO | VIS |
| + | 0920053 | 1 | | 6 | ARRUELA | WASHER | ARANDELA | RONDELLE |
| 7 | 32166337 | | | 2 | PARAFUSO | BOLT | TORNILLO | VIS |
| 8 | 32166338 | | | 12 | PARAFUSO | BOLT | TORNILLO | VIS |
| 9 | 32166339 | | | 8 | PARAFUSO | BOLT | TORNILLO | VIS |
| 10 | 3681E034 | | ●○ 70490195 | 1 | JUNTA | GASKET | JUNTA | JOINT |
| * VIDE GRUPO | | 18 | | | | | | |
| SEE GROUP | | 18 | | | | | | |
| VÉASE GRUPO | | 18 | | | | | | |
| VOIR GROUPE | | 18 | | | | | | |
| + VIDE GRUPO | | 36 | | | | | | |
| SEE GROUP | | 36 | | | | | | |
| VÉASE GRUPO | | 36 | | | | | | |
| VOIR GROUPE | | 36 | | | | | | |

VÁLVULAS E BALANCEIROS
VALVES AND ROCKERSHAFTS
VÁLVULAS Y BALANCINES
SOUPAPES ET LEVIERS OSCILLANTS

GRUPO
GROUP
GRUPO
GROUPE

18/14



VÁLVULAS E BALANCEIROS
VALVES AND ROCKERSHAFTS
VÁLVULAS Y BALANCINES
SOUPAPES ET LEVIERS OSCILLANTS

GRUPO
GROUP
GRUPO
GRUPE

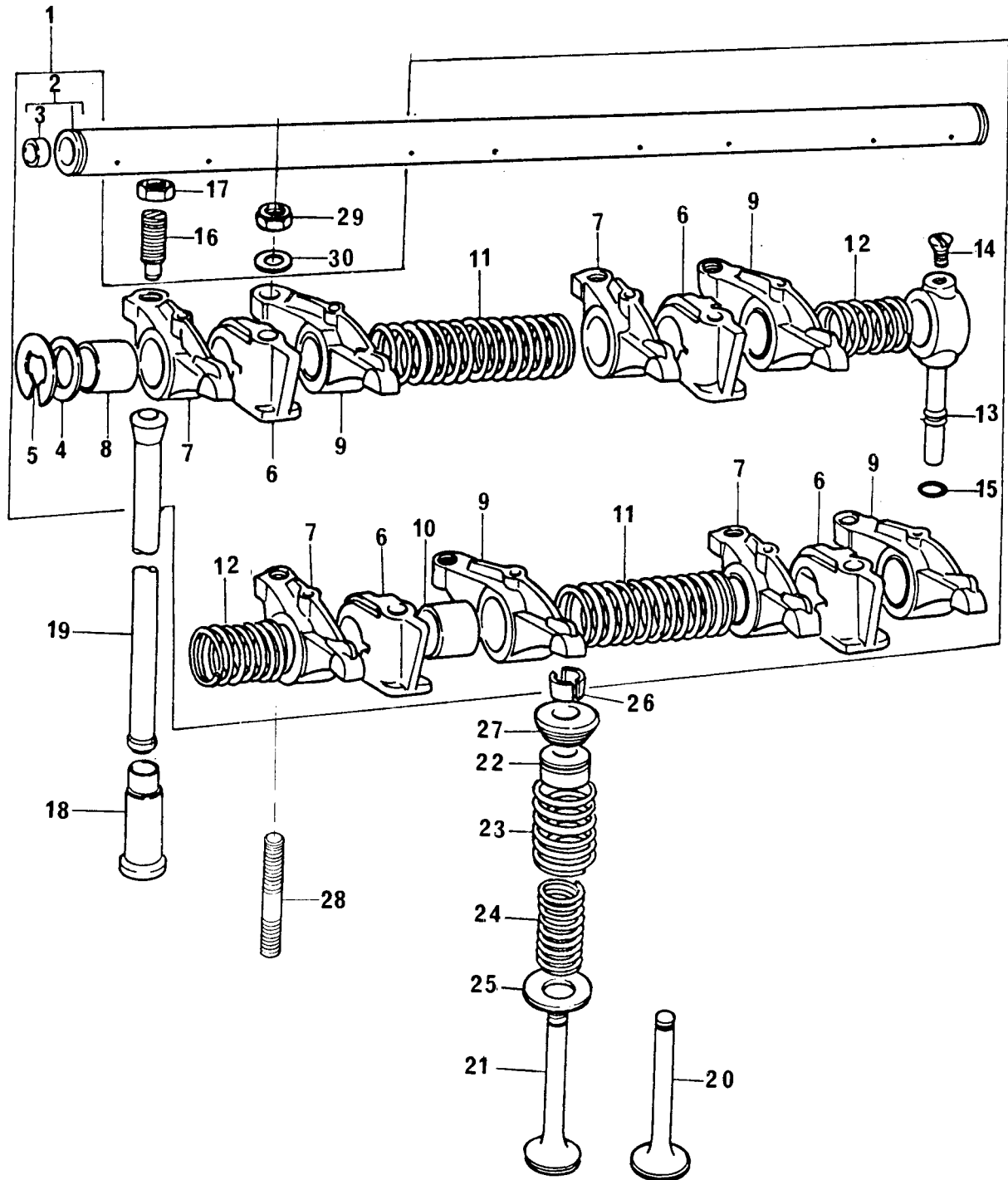
18/14

| | | | | | | | | |
|----|----------|---|------------|----|------------------|------------------|------------------|------------------|
| 1 | 424823 | | | 1 | EIXO BALANCEIRO | ROCKERSHAFT ASSY | EJE BALANCINES | RAMPE CULBUTEURS |
| 2 | 424807 | 1 | | 1 | EIXO | SHAFT | EJE | ARBRE |
| 3 | 0650507 | 2 | | 2 | BUJÃO | PLUG | TAPÓN | BOUCHON |
| 4 | 33117415 | 1 | | 2 | ARRUELA | WASHER | ARANDELA | RONDELLE |
| 5 | 0170151 | 1 | | 2 | ANEL TRAVA | CIRCLIP | ARO RETÉN | CIRCLIP |
| 6 | 70100716 | 1 | | 4 | SUPORTE | BRACKET | SOPORTE | SUPPORT |
| 7 | 70998095 | 1 | ▶ | 4 | BALANCEIRO | ROCKER LEVER | BALANCÍN | LEVIER OSCILLANT |
| 8 | 2511425 | 7 | | 4 | BUCHA | BUSH | BUJE | BAGUE |
| 9 | 70998096 | 1 | ◀ | 4 | BALANCEIRO | ROCKER LEVER | BALANCÍN | LEVIER OSCILLANT |
| 10 | 2511425 | 9 | | 4 | BUCHA | BUSH | BUJE | BAGUE |
| 11 | 31744123 | 1 | | 2 | MOLA | SPRING | RESORTE | RESSORT |
| 12 | 31743108 | 1 | | 2 | MOLA | SPRING | RESORTE | RESSORT |
| 13 | 35511111 | 1 | | 1 | TUBO | PIPE | CAÑO | TUYAUTERIE |
| 14 | 0726504 | 1 | | 1 | PARAFUSO | BOLT | TORNILLO | VIS |
| 15 | 33811113 | | | 1 | ANEL "O" | "O" RING | ARO SELLO | JOINT TORIQUE |
| 16 | 0720579 | | | 8 | PARAFUSO | BOLT | TORNILLO | VIS |
| 17 | 0576052 | | | 8 | PORCA | NUT | TUERCA | ÉCROU |
| 18 | 31434163 | | | 8 | TUCHO | TAPPET | BOTADOR | POUSSOIR |
| 19 | 70998041 | | | 8 | VARETA | PUSH-ROD | VARILLA | TIGE |
| 20 | 70910010 | | STD | 4 | VÁLVULA ESCAPE | EXHAUST VALVE | VÁLVULA ESCAPE | SOUPAPE ÉCHAPP |
| 20 | 70910010 | A | ▼ + . 015" | X | VÁLVULA ESCAPE | EXHAUST VALVE | VÁLVULA ESCAPE | SOUPAPE ÉCHAPP |
| 20 | 70910010 | B | ▲ + . 030" | X | VÁLVULA ESCAPE | EXHAUST VALVE | VÁLVULA ESCAPE | SOUPAPE ÉCHAPP |
| 21 | 70998075 | | STD | 4 | VÁLVULA ADMISSÃO | INLET VALVE | VÁLVULA ADMISIÓN | SOUPAPE ADM. |
| 21 | 70910009 | A | ▼ + . 015" | X | VÁLVULA ADMISSÃO | INLET VALVE | VÁLVULA ADMISIÓN | SOUPAPE ADM. |
| 21 | 70910009 | B | ▲ + . 030" | X | VÁLVULA ADMISSÃO | INLET VALVE | VÁLVULA ADMISIÓN | SOUPAPE ADM. |
| 22 | 70998120 | | STD | 8 | VEDADOR | SEAL | DEFLECTOR | DEFLECTEUR |
| 22 | 70730034 | A | ▼ + . 015" | X | VEDADOR | SEAL | DEFLECTOR | DEFLECTEUR |
| 22 | 70730034 | B | ▲ + . 030" | X | VEDADOR | SEAL | DEFLECTOR | DEFLECTEUR |
| 23 | 31745121 | | | 8 | MOLA EXTERNA | OUTER SPRING | RESORTE EXTERIOR | RESSORT EXT. |
| 24 | 31744131 | | | 8 | MOLA INTERNA | INNER SPRING | RESORTE INTERIOR | RESSORT INT. |
| 25 | 33415118 | | | 8 | ARRUELA | WASHER | ARANDELA | RONDELLE |
| 26 | 70230008 | | | 16 | TRAVA | COTTER | SEGURO CÓNICO | CLAVETTE |
| 27 | 33423122 | | | 8 | CAPA | CAP | CASQUILLO | CUVETTE |
| 28 | 0826628 | | | 4 | PRISIONEIRO | STUD | ESPÁRRAGO | GOUJON |
| 29 | 0576054 | | | 4 | PORCA | NUT | TUERCA | ÉCROU |
| 30 | 0920006 | | | 4 | ARRUELA | WASHER | ARANDELA | RONDELLE |

VÁLVULAS E BALANCEIROS
VALVES AND ROCKERSHAFTS
VÁLVULAS Y BALANCINES
SOUPAPES ET LEVIERS OSCILLANTS

GRUPO
GROUP
GRUPO
GROUPE

18/22



VÁLVULAS E BALANCEIROS
VALVES AND ROCKERSHAFTS
VÁLVULAS Y BALANCINES
SOUPAPES ET LEVIERS OSCILLANTS

GRUPO
GROUP
GRUPO
GROUPE

18/22

| | | | | | | | | |
|----|----------|---|------------|----|------------------|------------------|------------------|------------------|
| 1 | 424823 | | | 1 | EIXO BALANCEIRO | ROCKERSHAFT ASSY | EJE BALANCINES | RAMPE CULBUTEURS |
| 2 | 424807 | 1 | | 1 | EIXO | SHAFT | EJE | ARBRE |
| 3 | 0650507 | 2 | | 2 | BUJÃO | PLUG | TAPÓN | BOUCHON |
| 4 | 33117415 | 1 | | 2 | ARRUELA | WASHER | ARANDELA | RONDELLE |
| 5 | 0170151 | 1 | | 2 | ANEL TRAVA | CIRCLIP | ARO RETÉN | CIRCLIP |
| 6 | 70100716 | 1 | | 4 | SUPORTE | BRACKET | SOPORTE | SUPPORT |
| 7 | 70998095 | 1 | ▶ | 4 | BALANCEIRO | ROCKER LEVER | BALANCÍN | LEVIER OSCILLANT |
| 8 | 2511425 | 7 | | 4 | BUCHA | BUSH | BUJE | BAGUE |
| 9 | 70998096 | 1 | ◀ | 4 | BALANCEIRO | ROCKER LEVER | BALANCÍN | LEVIER OSCILLANT |
| 10 | 2511425 | 9 | | 4 | BUCHA | BUSH | BUJE | BAGUE |
| 11 | 31744123 | 1 | | 2 | MOLA | SPRING | RESORTE | RESSORT |
| 12 | 31743108 | 1 | | 2 | MOLA | SPRING | RESORTE | RESSORT |
| 13 | 35511111 | 1 | | 1 | TUBO | PIPE | CAÑO | TUYAUTERIE |
| 14 | 0726504 | 1 | | 1 | PARAFUSO | BOLT | TORNILLO | VIS |
| 15 | 33811113 | | | 1 | ANEL "O" | "O" RING | ARO SELLO | JOINT TORIQUE |
| 16 | 0720579 | | | 8 | PARAFUSO | BOLT | TORNILLO | VIS |
| 17 | 0576052 | | | 8 | PORCA | NUT | TUERCA | ÉCROU |
| 18 | 31434163 | | | 8 | TUCHO | TAPPET | BOTADOR | POUSSOIR |
| 19 | 70998041 | | | 8 | VARETA | PUSH-ROD | VARILLA | TIGE |
| 20 | 70910010 | | STD | 4 | VÁLVULA ESCAPE | EXHAUST VALVE | VÁLVULA ESCAPE | SOUPAPE ÉCHAPP |
| 20 | 70910010 | A | ▼ + . 015" | X | VÁLVULA ESCAPE | EXHAUST VALVE | VÁLVULA ESCAPE | SOUPAPE ÉCHAPP |
| 20 | 70910010 | B | ▲ + . 030" | X | VÁLVULA ESCAPE | EXHAUST VALVE | VÁLVULA ESCAPE | SOUPAPE ÉCHAPP |
| 21 | 70998075 | | STD | 4 | VÁLVULA ADMISSÃO | INLET VALVE | VÁLVULA ADMISIÓN | SOUPAPE ADM. |
| 21 | 70910009 | A | ▼ + . 015" | X | VÁLVULA ADMISSÃO | INLET VALVE | VÁLVULA ADMISIÓN | SOUPAPE ADM. |
| 21 | 70910009 | B | ▲ + . 030" | X | VÁLVULA ADMISSÃO | INLET VALVE | VÁLVULA ADMISIÓN | SOUPAPE ADM. |
| 22 | 70998120 | | STD | 8 | VEDADOR | SEAL | DEFLECTOR | DEFLECTEUR |
| 22 | 70730034 | A | ▼ + . 015" | X | VEDADOR | SEAL | DEFLECTOR | DEFLECTEUR |
| 22 | 70730034 | B | ▲ + . 030" | X | VEDADOR | SEAL | DEFLECTOR | DEFLECTEUR |
| 23 | 31745121 | | | 8 | MOLA EXTERNA | OUTER SPRING | RESORTE EXTERIOR | RESSORT EXT. |
| 24 | 31744131 | | | 8 | MOLA INTERNA | INNER SPRING | RESORTE INTERIOR | RESSORT INT. |
| 25 | 33123117 | | | 8 | ARRUELA | WASHER | ARANDELA | RONDELLE |
| 26 | 70230008 | | | 16 | TRAVA | COTTER | SEGURO CÓNICO | CLAVETTE |
| 27 | 33423122 | | | 8 | CAPA | CAP | CASQUILLO | CUVETTE |
| 28 | 0826628 | | | 4 | PRISIONEIRO | STUD | ESPÁRRAGO | GOUJON |
| 29 | 0576054 | | | 4 | PORCA | NUT | TUERCA | ÉCROU |
| 30 | 0920006 | | | 4 | ARRUELA | WASHER | ARANDELA | RONDELLE |

VÁLVULAS E BALANCEIROS
VALVES AND ROCKERSHAFTS
VÁLVULAS Y BALANCINES
SOUPAPES ET LEVIERS OSCILLANTS

GRUPO
GROUP
GRUPO
GROUPE

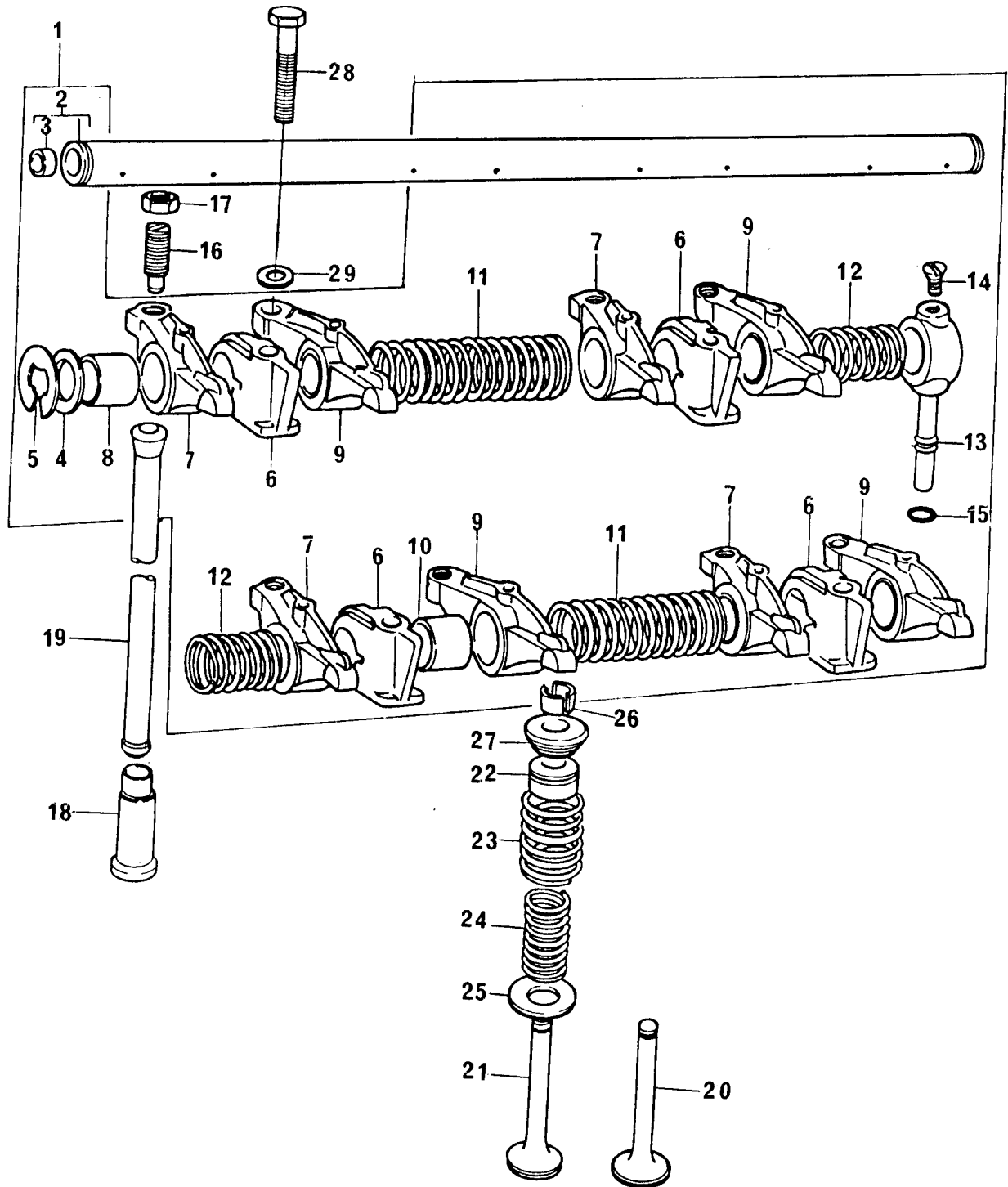
18/25

| | | | | | | | | |
|----|----------|-----|-----|------------|--------------------|------------------|------------------|------------------|
| 1 | 424823 | | | | 1 EIXO BALANCEIRO | ROCKERSHAFT ASSY | EJE BALANCINES | RAMPE CULBUTEURS |
| 2 | 424807 | 1 | | | 1 EIXO | SHAFT | EJE | ARBRE |
| 3 | 0650507 | 2 | | | 2 BUJÃO | PLUG | TAPÓN | BOUCHON |
| 4 | 33117415 | 1 | | | 2 ARRUELA | WASHER | ARANDELA | RONDELLE |
| 5 | 0170151 | 1 | | | 2 ANEL TRAVA | CIRCLIP | ARO RETÉN | CIRCLIP |
| 6 | 70100716 | 1 | | | 4 SUPORTE | BRACKET | SOPORTE | SUPPORT |
| 7 | 70998095 | 1 | ▶ | | 4 BALANCEIRO | ROCKER LEVER | BALANCÍN | LEVIER OSCILLANT |
| 8 | 2511425 | 7 | | | 4 BUCHA | BUSH | BUJE | BAGUE |
| 9 | 70998096 | 1 | ◀ | | 4 BALANCEIRO | ROCKER LEVER | BALANCÍN | LEVIER OSCILLANT |
| 10 | 2511425 | 9 | | | 4 BUCHA | BUSH | BUJE | BAGUE |
| 11 | 31744123 | 1 | | | 2 MOLA | SPRING | RESORTE | RESSORT |
| 12 | 31743108 | 1 | | | 2 MOLA | SPRING | RESORTE | RESSORT |
| 13 | 35511111 | 1 | | | 1 TUBO | PIPE | CAÑO | TUYAUTERIE |
| 14 | 0726504 | 1 | | | 1 PARAFUSO | BOLT | TORNILLO | VIS |
| 15 | 33811113 | | | | 1 ANEL "O" | "O" RING | ARO SELLO | JOINT TORIQUE |
| 16 | 0720579 | | | | 8 PARAFUSO | BOLT | TORNILLO | VIS |
| 17 | 0576052 | | | | 8 PORCA | NUT | TUERCA | ÉCROU |
| 18 | 31434163 | | | | 8 TUCHO | TAPPET | BOTADOR | POUSSOIR |
| 19 | 70998041 | | | | 8 VARETA | PUSH-ROD | VARILLA | TIGE |
| 20 | 70910010 | | | STD | 4 VÁLVULA ESCAPE | EXHAUST VALVE | VÁLVULA ESCAPE | SOUPAPE ÉCHAPP |
| 20 | 70910010 | A | (A) | ▼ + . 015" | X VÁLVULA ESCAPE | EXHAUST VALVE | VÁLVULA ESCAPE | SOUPAPE ÉCHAPP |
| 20 | 70910010 | B | (A) | ▲ + . 030" | X VÁLVULA ESCAPE | EXHAUST VALVE | VÁLVULA ESCAPE | SOUPAPE ÉCHAPP |
| 21 | 70998075 | | | STD | 4 VÁLVULA ADMISSÃO | INLET VALVE | VÁLVULA ADMISIÓN | SOUPAPE ADM. |
| 21 | 70910009 | A | (A) | ▼ + . 015" | X VÁLVULA ADMISSÃO | INLET VALVE | VÁLVULA ADMISIÓN | SOUPAPE ADM. |
| 21 | 70910009 | B | (A) | ▲ + . 030" | X VÁLVULA ADMISSÃO | INLET VALVE | VÁLVULA ADMISIÓN | SOUPAPE ADM. |
| 22 | 70998120 | | | STD | 8 VEDADOR | SEAL | DEFLECTOR | DEFLECTEUR |
| 22 | 70730034 | A | (A) | ▼ + . 015" | X VEDADOR | SEAL | DEFLECTOR | DEFLECTEUR |
| 22 | 70730034 | B | (A) | ▲ + . 030" | X VEDADOR | SEAL | DEFLECTOR | DEFLECTEUR |
| 23 | 31745121 | (A) | | | 8 MOLA EXTERNA | OUTER SPRING | RESORTE EXTERIOR | RESSORT EXT. |
| 23 | 31745122 | (A) | | | 8 MOLA EXTERNA | OUTER SPRING | RESORTE EXTERIOR | RESSORT EXT. |
| 24 | 31744131 | (A) | | | 8 MOLA INTERNA | INNER SPRING | RESORTE INTERIOR | RESSORT INT. |
| 24 | 31744133 | (A) | | | 8 MOLA INTERNA | INNER SPRING | RESORTE INTERIOR | RESSORT INT. |
| 25 | 33123117 | (A) | | | 8 ARRUELA | WASHER | ARANDELA | RONDELLE |
| 25 | 33415118 | (A) | | | 8 ARRUELA | WASHER | ARANDELA | RONDELLE |
| 26 | 70230008 | (A) | | | 16 TRAVA | COTTER | SEGURO CÓNICO | CLAVETTE |
| 27 | 33423122 | (A) | | | 8 CAPA | CAP | CASQUILLO | CUVETTE |
| 27 | 33424107 | (A) | | | 8 CAPA | CAP | CASQUILLO | CUVETTE |
| 28 | 0096634 | (A) | | | 4 PARAFUSO | BOLT | TORNILLO | VIS |
| 29 | 0920006 | (A) | | | 4 ARRUELA | WASHER | ARANDELA | RONDELLE |

(A) → 224900N










VÁLVULAS E BALANCEIROS
 VALVES AND ROCKERSHAFTS
 VÁLVULAS Y BALANCINES
 SOUPAPES ET LEVIERS OSCILLANTS

GRUPO
 GROUP 18/26
 GRUPO 18/42
 GROUPE





VÁLVULAS E BALANCEIROS
VALVES AND ROCKERSHAFTS
VÁLVULAS Y BALANCINES
SOUPAPES ET LEVIERS OSCILLANTS

GRUPO
GROUP 18/26
GRUPO 18/42
GRUPE

| | | | | | | |
|----|----------|---|--------------------|------------------|------------------|------------------|
| 1 | 424823 | | 1 EIXO BALANCEIRO | ROCKERSHAFT ASSY | EJE BALANCINES | RAMPE CULBUTEURS |
| 2 | 424807 | 1 | 1 EIXO | SHAFT | EJE | ARBRE |
| 3 | 0650507 | 2 | 2 BUJÃO | PLUG | TAPÓN | BOUCHON |
| 4 | 33117415 | 1 | 2 ARRUELA | WASHER | ARANDELA | RONDELLE |
| 5 | 0170151 | 1 | 2 ANEL TRAVA | CIRCLIP | ARO RETÉN | CIRCLIP |
| 6 | 70100716 | 1 | 4 SUPORTE | BRACKET | SOPORTE | SUPPORT |
| 7 | 70998095 | 1 | 4 BALANCEIRO | ROCKER LEVER | BALANCÍN | LEVIER OSCILLANT |
| 8 | 2511425 | 7 | 4 BUCHA | BUSH | BUJE | BAGUE |
| 9 | 70998096 | 1 | 4 BALANCEIRO | ROCKER LEVER | BALANCÍN | LEVIER OSCILLANT |
| 10 | 2511425 | 9 | 4 BUCHA | BUSH | BUJE | BAGUE |
| 11 | 31744123 | 1 | 2 MOLA | SPRING | RESORTE | RESSORT |
| 12 | 31743108 | 1 | 2 MOLA | SPRING | RESORTE | RESSORT |
| 13 | 35511111 | 1 | 1 TUBO | PIPE | CAÑO | TUYAUTERIE |
| 14 | 0726504 | 1 | 1 PARAFUSO | BOLT | TORNILLO | VIS |
| 15 | 33811113 | | 1 ANEL "O" | "O" RING | ARO SELLO | JOINT TORIQUE |
| 16 | 0720579 | | 8 PARAFUSO | BOLT | TORNILLO | VIS |
| 17 | 0576052 | | 8 PORCA | NUT | TUERCA | ÉCROU |
| 18 | 31434163 | | 8 TUCHO | TAPPET | BOTADOR | POUSSOIR |
| 19 | 70998041 | | 8 VARETA | PUSH-ROD | VARILLA | TIGE |
| 20 | 70910018 | (A) | 4 VÁLVULA ESCAPE | EXHAUST VALVE | VÁLVULA ESCAPE | SOUPAPE ÉCHAPP |
| 20 | 70998163 | (B)  | 4 VÁLVULA ESCAPE | EXHAUST VALVE | VÁLVULA ESCAPE | SOUPAPE ÉCHAPP |
| 21 | 70910017 | (A) | 4 VÁLVULA ADMISSÃO | INLET VALVE | VÁLVULA ADMISIÓN | SOUPAPE ADM. |
| 21 | 70998162 | (A)  | 4 VÁLVULA ADMISSÃO | INLET VALVE | VÁLVULA ADMISIÓN | SOUPAPE ADM. |
| 22 | 70998120 |  | 8 VEDADOR | SEAL | DEFLECTOR | DEFLECTEUR |
| 22 | 70730051 |  | 8 VEDADOR | SEAL | DEFLECTOR | DEFLECTEUR |
| 23 | 31745122 |  | 8 MOLA EXTERNA | OUTER SPRING | RESORTE EXTERIOR | RESSORT EXT. |
| 23 | 70998136 |  | 8 MOLA EXTERNA | OUTER SPRING | RESORTE EXTERIOR | RESSORT EXT. |
| 24 | 31744133 |  | 8 MOLA INTERNA | INNER SPRING | RESORTE INTERIOR | RESSORT INT. |
| 25 | 33415118 | | 8 ARRUELA | WASHER | ARANDELA | RONDELLE |
| 26 | 70230010 | | 16 TRAVA | COTTER | SEGURO CÓNICO | CLAVETTE |
| 27 | 70998121 |  | 8 CAPA | CAP | CASQUILLO | CUVETTE |
| 27 | 70150047 |  | 8 CAPA | CAP | CASQUILLO | CUVETTE |
| 28 | 0096634 | | 4 PARAFUSO | BOLT | TORNILLO | VIS |
| 29 | 0920006 | | 4 ARRUELA | WASHER | ARANDELA | RONDELLE |

(A) MOTOR 4.236  407899V
 ENGINE 4.248  407772V
 MOTOR
 MOTEUR

(B) MOTOR 4.236  407900V
 ENGINE 4.248  407773V
 MOTOR
 MOTEUR

VÁLVULAS E BALANCEIROS
VALVES AND ROCKERSHAFTS
VÁLVULAS Y BALANCINES
SOUPAPES ET LEVIERS OSCILLANTS

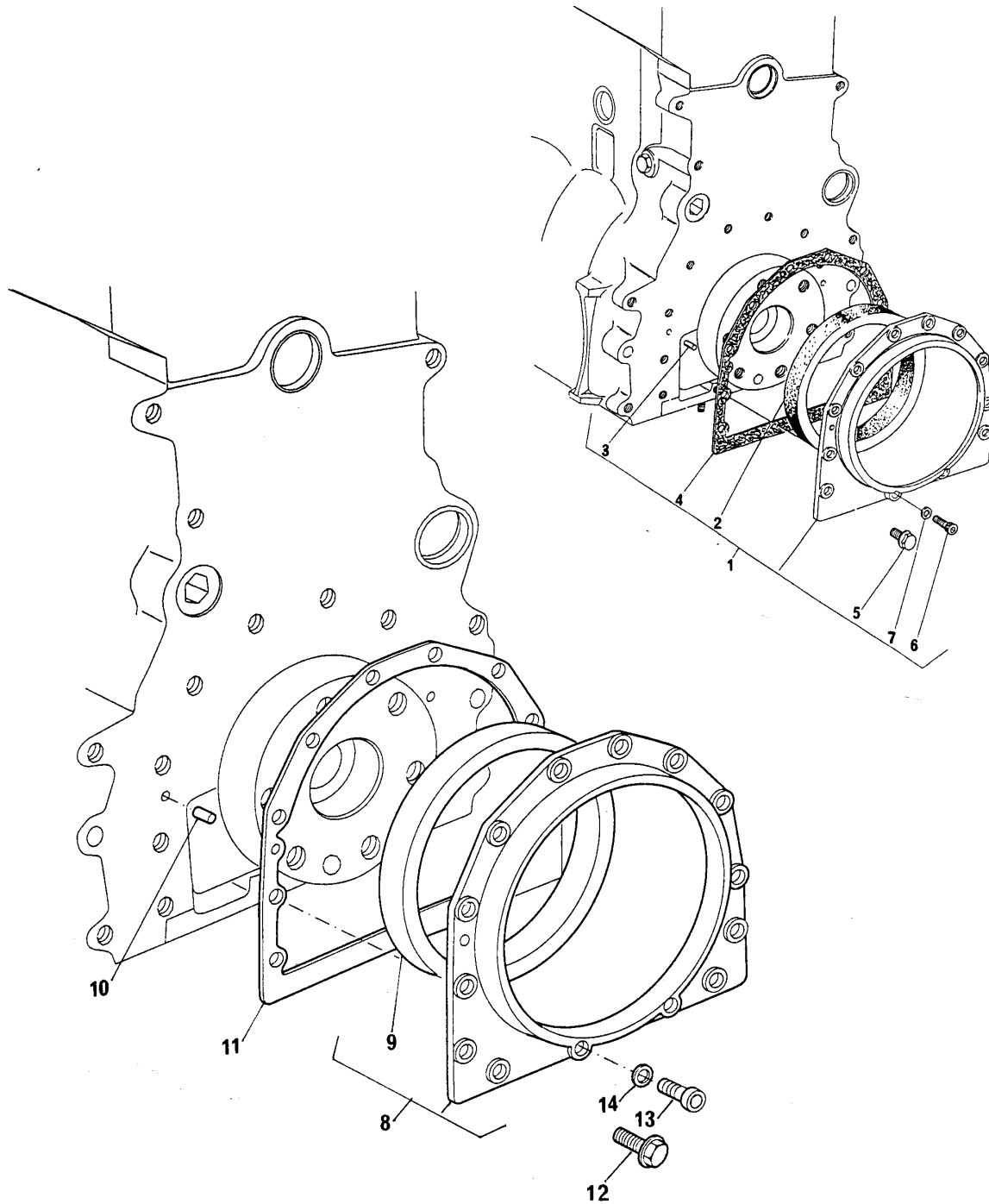
GRUPO
GROUP 18/28
GRUPO
GROUPE

| | | | | | | | |
|----|----------|---|----|------------------|------------------|------------------|------------------|
| 1 | 424823 | | 1 | EIXO BALANCEIRO | ROCKERSHAFT ASSY | EJE BALANCINES | RAMPE CULBUTEURS |
| 2 | 424807 | 1 | 1 | EIXO | SHAFT | EJE | ARBRE |
| 3 | 0650507 | 2 | 2 | BUJÃO | PLUG | TAPÓN | BOUCHON |
| 4 | 33117415 | 1 | 2 | ARRUELA | WASHER | ARANDELA | RONDELLE |
| 5 | 0170151 | 1 | 2 | ANEL TRAVA | CIRCLIP | ARO RETÉN | CIRCLIP |
| 6 | 70100716 | 1 | 4 | SUPORTE | BRACKET | SOPORTE | SUPPORT |
| 7 | 70998095 | 1 | 4 | BALANCEIRO | ROCKER LEVER | BALANCÍN | LEVIER OSCILLANT |
| 8 | 2511425 | 7 | 4 | BUCHA | BUSH | BUJE | BAGUE |
| 9 | 70998096 | 1 | 4 | BALANCEIRO | ROCKER LEVER | BALANCÍN | LEVIER OSCILLANT |
| 10 | 2511425 | 9 | 4 | BUCHA | BUSH | BUJE | BAGUE |
| 11 | 31744123 | 1 | 2 | MOLA | SPRING | RESORTE | RESSORT |
| 12 | 31743108 | 1 | 2 | MOLA | SPRING | RESORTE | RESSORT |
| 13 | 35511111 | 1 | 1 | TUBO | PIPE | CAÑO | TUYAUTERIE |
| 14 | 0726504 | 1 | 1 | PARAFUSO | BOLT | TORNILLO | VIS |
| 15 | 33811113 | | 1 | ANEL "O" | "O" RING | ARO SELLO | JOINT TORIQUE |
| 16 | 0720579 | | 8 | PARAFUSO | BOLT | TORNILLO | VIS |
| 17 | 0576052 | | 8 | PORCA | NUT | TUERCA | ÉCROU |
| 18 | 31434163 | | 8 | TUCHO | TAPPET | BOTADOR | POUSSOIR |
| 19 | 70998041 | | 8 | VARETA | PUSH-ROD | VARILLA | TIGE |
| 20 | 70910010 | ↔ | 4 | VÁLVULA ESCAPE | EXHAUST VALVE | VÁLVULA ESCAPE | SOUPAPE ÉCHAPP |
| 20 | 70998163 | ↔ | 4 | VÁLVULA ESCAPE | EXHAUST VALVE | VÁLVULA ESCAPE | SOUPAPE ÉCHAPP |
| 21 | 3142H002 | ↔ | 4 | VÁLVULA ADMISSÃO | INLET VALVE | VÁLVULA ADMISIÓN | SOUPAPE ADM. |
| 21 | 70910032 | ↔ | 4 | VÁLVULA ADMISSÃO | INLET VALVE | VÁLVULA ADMISIÓN | SOUPAPE ADM. |
| 22 | 70998120 | ↔ | 8 | VEDADOR | SEAL | DEFLECTOR | DEFLECTEUR |
| 22 | 70730051 | ↔ | 8 | VEDADOR | SEAL | DEFLECTOR | DEFLECTEUR |
| 23 | 31745122 | | 8 | MOLA EXTERNA | OUTER SPRING | RESORTE EXTERIOR | RESSORT EXT. |
| 24 | 31744133 | | 8 | MOLA INTERNA | INNER SPRING | RESORTE INTERIOR | RESSORT INT. |
| 25 | 33415118 | | 8 | ARRUELA | WASHER | ARANDELA | RONDELLE |
| 26 | 70230008 | ↔ | 16 | TRAVA | COTTER | SEGURO CÓNICO | CLAVETTE |
| 26 | 70230010 | ↔ | 16 | TRAVA | COTTER | SEGURO CÓNICO | CLAVETTE |
| 27 | 33424107 | ↔ | 8 | CAPA | CAP | CASQUILLO | CUVETTE |
| 27 | 70998121 | ↔ | 8 | CAPA | CAP | CASQUILLO | CUVETTE |
| 28 | 0096634 | | 4 | PARAFUSO | BOLT | TORNILLO | VIS |
| 29 | 0920006 | | 4 | ARRUELA | WASHER | ARANDELA | RONDELLE |

RETENTOR TRASEIRO DA ÁRVORE DE MANIVELAS
CRANKSHAFT REAR OIL SEAL
SELLO TRASERO DE ACEITE
DÉFLECTEUR D'HUILE ARRIERE

GRUPO
GROUP
GRUPO
GROUPE

20/17



RETENTOR TRASEIRO DA ÁRVORE DE MANIVELAS
CRANKSHAFT REAR OIL SEAL
SELLO TRASERO DE ACEITE
DÉFLECTEUR D'HUILE ARRIERE

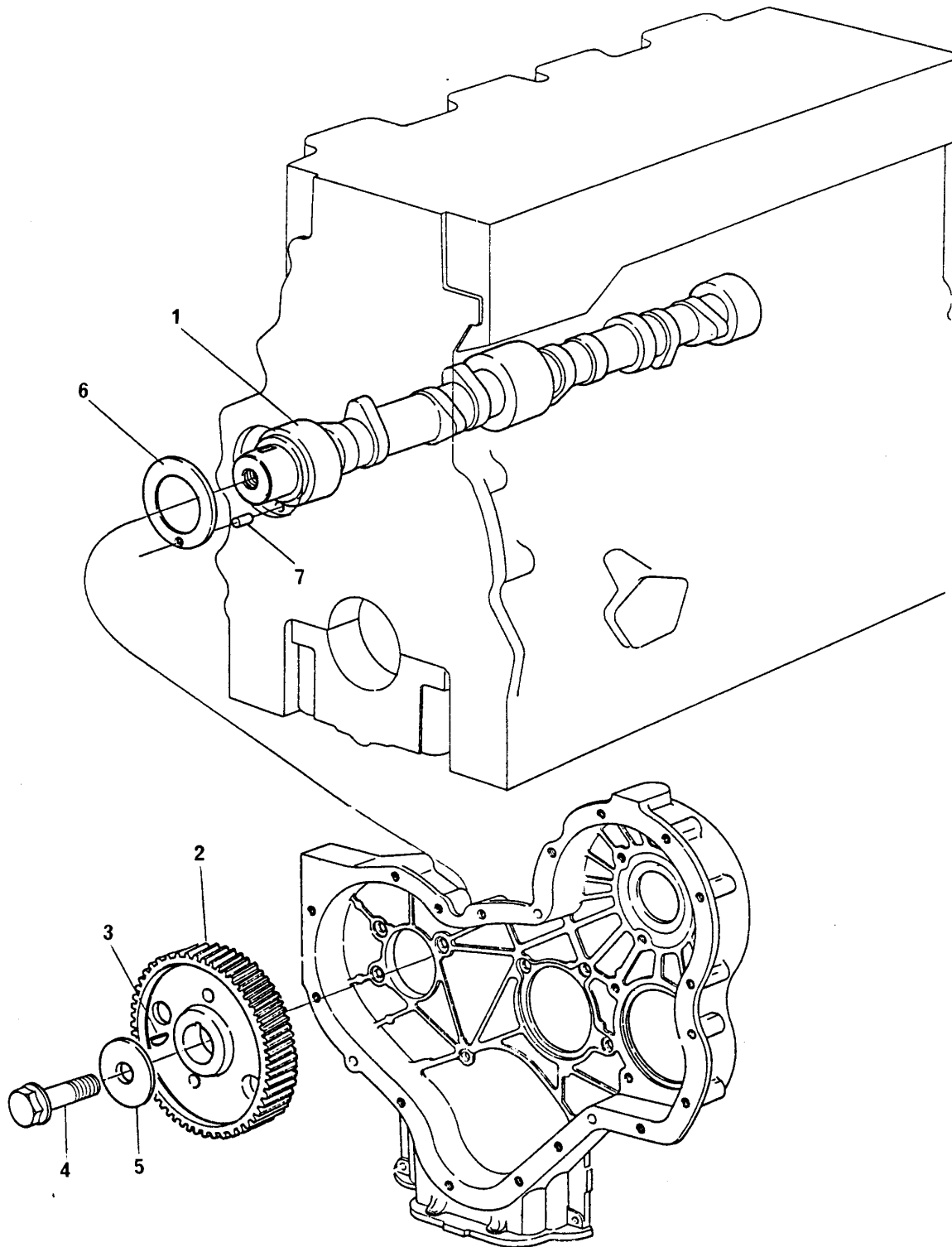
GRUPO
GROUP 20/17
GRUPO
GROUPE

| | | | | | | | |
|----|----------|---|----|--------------|-----------|-----------|----------------|
| 1 | 424828 | | 1 | CJ. RETENTOR | SEAL-ASSY | CJ. SELLO | JEU DEFLECTEUR |
| 2 | 70730050 | 1 | 1 | RETENTOR | SEAL | SELLO | DEFLECTEUR |
| 3 | 0350009 | 1 | 2 | PINO GUIA | DOWEL | ESPIGA | PION |
| 4 | 36817157 | 1 | 1 | JUNTA | JOINT | JUNTA | JOINT |
| 5 | 70740130 | 1 | 10 | PARAFUSO | BOLT | TORNILLO | VIS |
| 6 | 2172530 | 1 | 2 | PARAFUSO | BOLT | TORNILLO | VIS |
| 7 | 33112111 | 1 | 2 | ARRUELA | WASHER | ARANDELA | RONDELLE |
| 8 | 70993401 | | 1 | CJ. RETENTOR | SEAL-ASSY | CJ. SELLO | JEU DEFLECTEUR |
| 9 | 70730050 | 8 | 1 | RETENTOR | SEAL | SELLO | DEFLECTEUR |
| 10 | 0350009 | | 2 | PINO GUIA | DOWEL | ESPIGA | PION |
| 11 | 36817157 | | 1 | JUNTA | JOINT | JUNTA | JOINT |
| 12 | 70740130 | | 12 | PARAFUSO | BOLT | TORNILLO | VIS |
| 13 | 2172530 | | 2 | PARAFUSO | BOLT | TORNILLO | VIS |
| 14 | 33112111 | | 2 | ARRUELA | WASHER | ARANDELA | RONDELLE |

ÁRVORE DE COMANDO DAS VÁLVULAS
CAMSHAFT
ARBOL DE LEVAS
ARBRE À CAMES



GRUPO
GROUP
GRUPO
GROUPE

21/09



ÁRVORE DE COMANDO DAS VÁLVULAS
CAMSHAFT
ARBOL DE LEVAS
ARBRE À CAMES

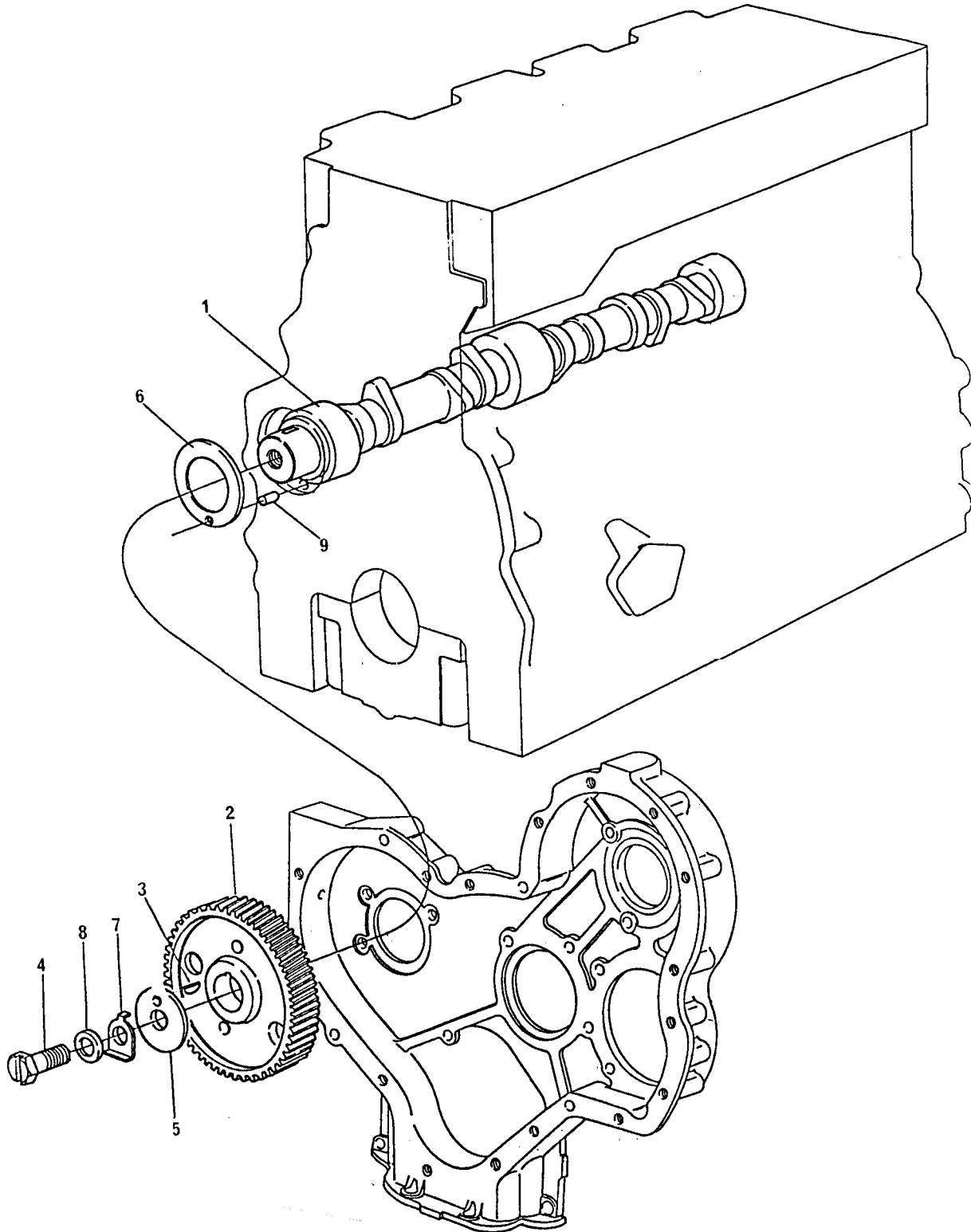
GRUPO
GROUP **21/09**
GRUPO
GROUPE

| | | | | | | | | |
|---|----------|---|----------|---|-----------------|---------------|----------------|---------------|
| 1 | 31415321 |  | 407699V | 1 | ÁRVORE COMANDO | CAMSHAFT | ÁRBOL DE LEVAS | ARBRE A CAMES |
| 1 | 31415371 |  | 407700V | 1 | ÁRVORE COMANDO | CAMSHAFT | ÁRBOL DE LEVAS | ARBRE A CAMES |
| 2 | 31171931 |  | 31171353 | 1 | ENGRENAGEM | GEAR | ENGRANAJE | PIGNON |
| 3 | 0500012 | | | 1 | CHAVETA | KEY | CHAVETA | CLAVETTE |
| 4 | 70740323 |  | 32161209 | 1 | PARAFUSO | BOLT | TORNILLO | VIS |
| 5 | 70920103 |  | 33153128 | 1 | ARRUELA | WASHER | ARANDELA | RONDELLE |
| 6 | 33153121 | | | 1 | ARRUELA ENCOSTO | THRUST WASHER | ARANDELA | RONDELLE |
| 7 | 0610844 | | | 1 | PINO GUIA | DOWEL | ESPIGA | PION |

ÁRVORE DE COMANDO DAS VÁLVULAS
CAMSHAFT
ARBOL DE LEVAS
ARBRE À CAMES

GRUPO
GROUP
GRUPO
GROUPE

21/18



ÁRVORE DE COMANDO DAS VÁLVULAS
CAMSHAFT
ARBOL DE LEVAS
ARBRE À CAMES

GRUPO
GROUP
GRUPO
GROUPE

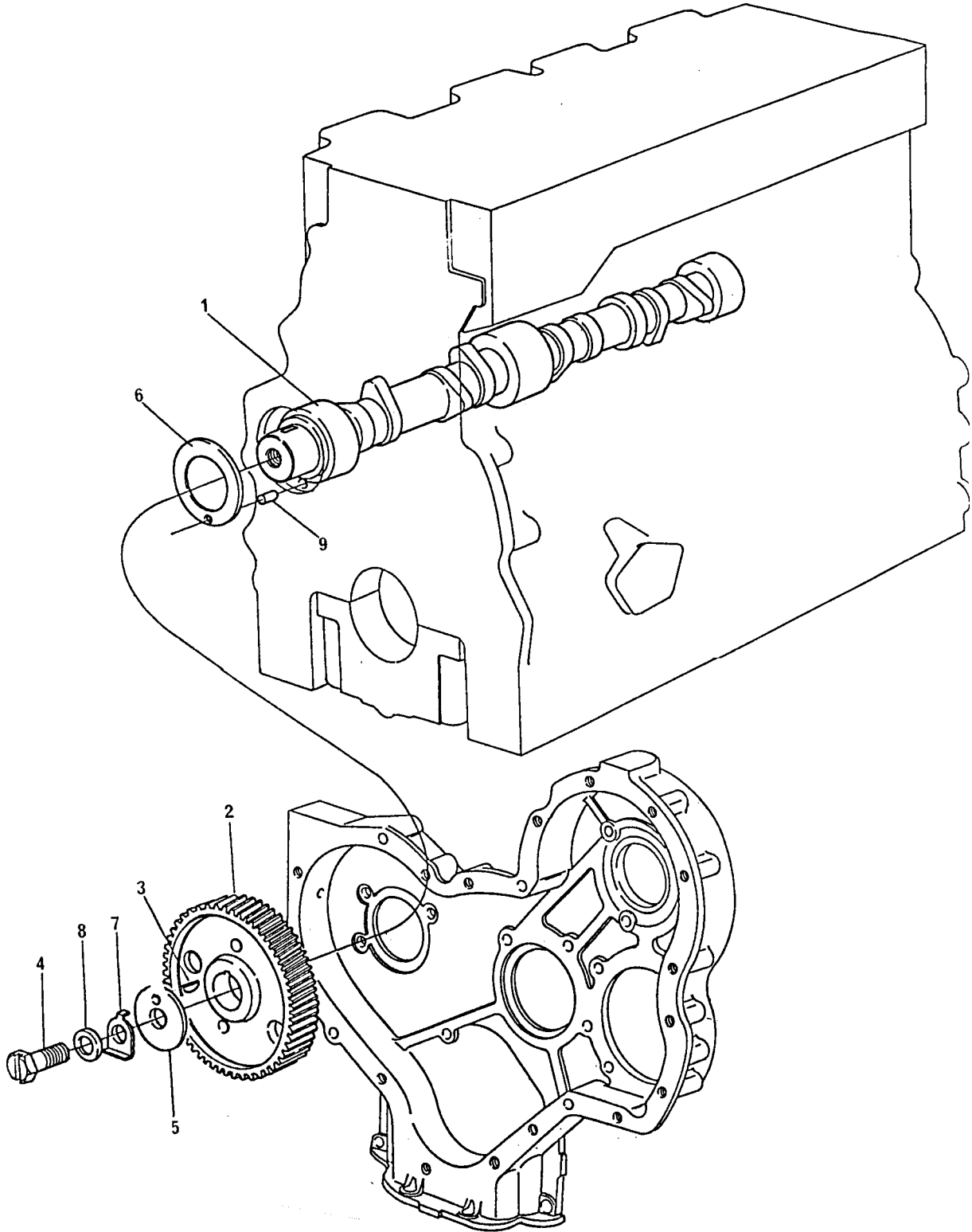
21/18

| | | | | | | | | |
|---|----------|---|---------|---|-----------------|---------------|----------------|---------------|
| 1 | 31415294 | → | 407060V | 1 | ÁRVORE COMANDO | CAMSHAFT | ÁRBOL DE LEVAS | ARBRE A CAMES |
| 1 | 31415373 | → | 407061V | 1 | ÁRVORE COMANDO | CAMSHAFT | ÁRBOL DE LEVAS | ARBRE A CAMES |
| 2 | 31171931 | | | 1 | ENGRENAGEM | GEAR | ENGRANAJE | PIGNON |
| 3 | 0500012 | | | 1 | CHAVETA | KEY | CHAVETA | CLAVETTE |
| 4 | 32161209 | | | 1 | PARAFUSO | BOLT | TORNILLO | VIS |
| 5 | 33153128 | | | 1 | PLACA | PLATE | PLACA | PLAQUE |
| 6 | 33153121 | | | 1 | ARRUELA ENCOSTO | THRUST WASHER | ARANDELA | RONDELLE |
| 7 | 31733121 | | | 1 | ARRUELA | WASHER | ARANDELA | RONDELLE |
| 8 | 33115408 | | | 1 | ARRUELA | WASHER | ARANDELA | RONDELLE |
| 9 | 0610844 | | | 1 | PINO GUIA | DOWEL | ESPIGA | PION |

ÁRVORE DE COMANDO DAS VÁLVULAS
CAMSHAFT
ARBOL DE LEVAS
ARBRE À CAMES

GRUPO
GROUP
GRUPO
GROUPE

21/19



ÁRVORE DE COMANDO DAS VÁLVULAS
CAMSHAFT
ARBOL DE LEVAS
ARBRE À CAMES

GRUPO
GROUP 21/19
GRUPO
GROUPE

| | | | | | | | |
|---|----------|-----|---|-----------------|---------------|----------------|---------------|
| 1 | 31415321 | | 1 | ÁRVORE COMANDO | CAMSHAFT | ÁRBOL DE LEVAS | ARBRE A CAMES |
| 1 | 31415371 | (A) | 1 | ÁRVORE COMANDO | CAMSHAFT | ÁRBOL DE LEVAS | ARBRE A CAMES |
| 2 | 31171931 | | 1 | ENGRENAGEM | GEAR | ENGRANAJE | PIGNON |
| 3 | 0500012 | | 1 | CHAVETA | KEY | CHAVETA | CLAVETTE |
| 4 | 32161209 | | 1 | PARAFUSO | BOLT | TORNILLO | VIS |
| 5 | 33153128 | | 1 | PLACA | PLATE | PLACA | PLAQUE |
| 6 | 33153121 | | 1 | ARRUELA ENCOSTO | THRUST WASHER | ARANDELA | RONDELLE |
| 7 | 31733121 | | 1 | ARRUELA | WASHER | ARANDELA | RONDELLE |
| 8 | 33115408 | | 1 | ARRUELA | WASHER | ARANDELA | RONDELLE |
| 9 | 0610844 | | 1 | PINO GUIA | DOWEL | ESPIGA | PION |

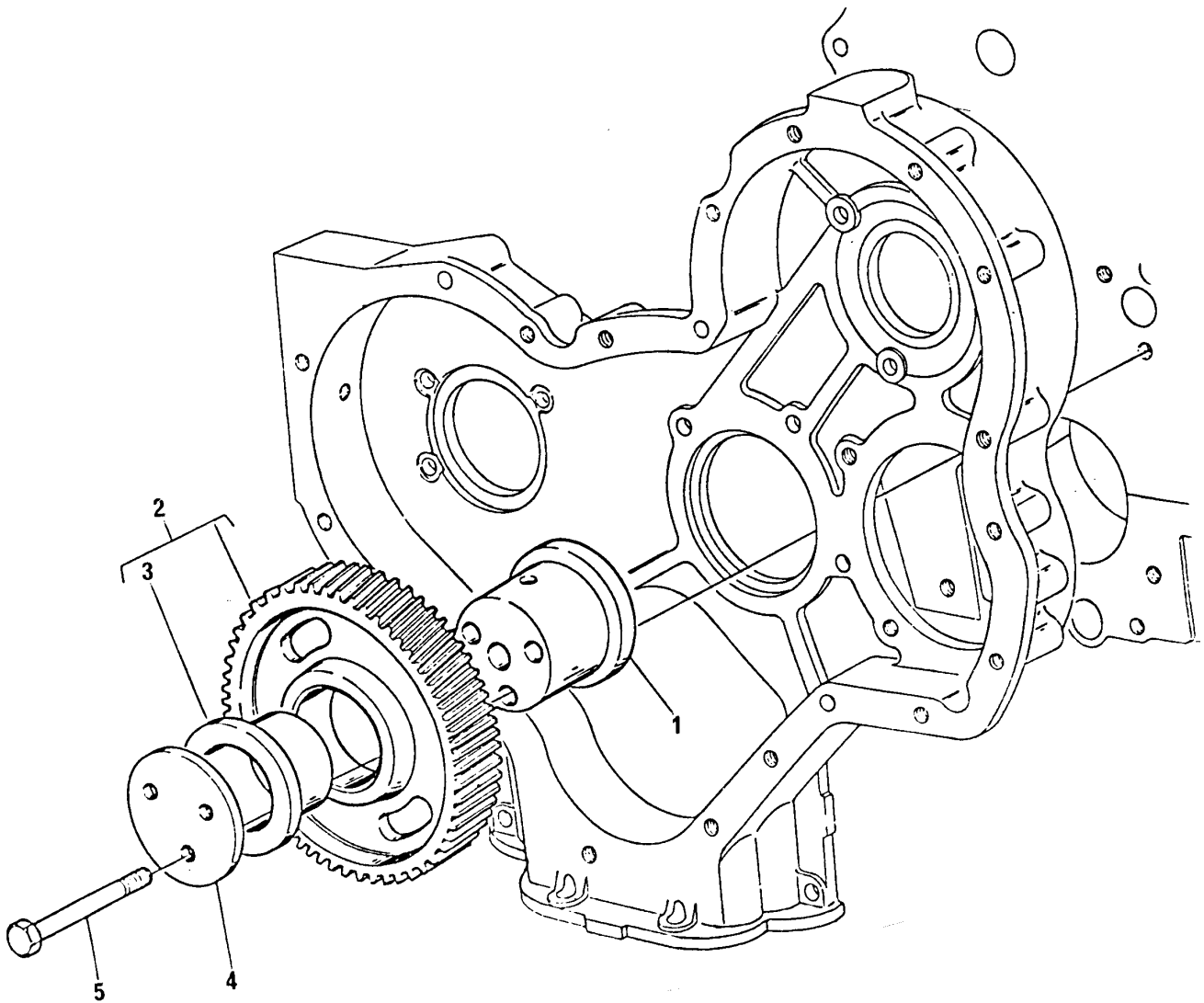
(A) MOTOR 4.236 → LD8820B407700V
 ENGINE LD8821B407721V
 MOTOR LD8822B407725V
 MOTEUR

(A) MOTOR 4.248 → LF8824B407769V
 ENGINE LF8825B407769V
 MOTOR LF8890B407769V
 MOTEUR

ENGRENAGENS INTERMEDIÁRIAS DA DISTRIBUIÇÃO
IDLER GEARS
ENGRANAJES INTERMEDIOS DE LA DISTRIBUCIÓN
PIGNONS INTERMÉDIARES DE LA DISTRIBUTION

GRUPO
GROUP
GRUPO
GROUPE

22/08



ENGRENAGENS INTERMEDIÁRIAS DA DISTRIBUIÇÃO
IDLER GEARS
ENGRANAJES INTERMÉDIOS DE LA DISTRIBUCIÓN
PIGNONS INTERMÉDIARES DE LA DISTRIBUTION

GRUPO
GROUP
GRUPO
GROUPE

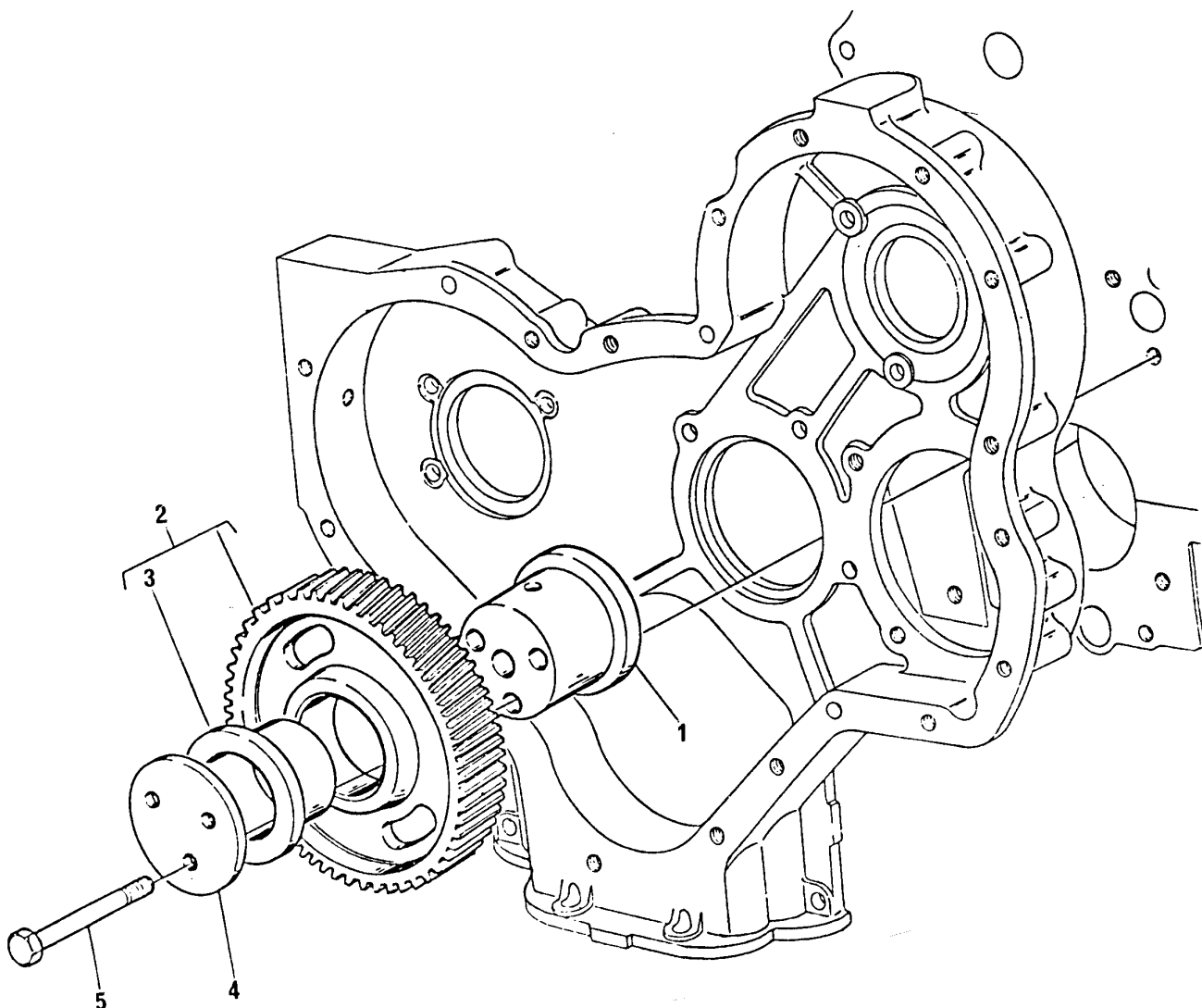
22/08

| | | | | | | | | |
|---|----------|---|----------|---|------------|-------|-----------|--------|
| 1 | 70998172 |  | 70998001 | 1 | CUBO | HUB | CUBO | MOYEU |
| 2 | 41115018 |  | 41115023 | 1 | ENGRENAGEM | GEAR | ENGRANAJE | PIGNON |
| 3 | 0050345 | 2 | | 2 | BUCHA | BUSH | BUJE | BAGUE |
| 4 | 70940151 | | | 1 | PLACA | PLATE | PLACA | PLAQUE |
| 5 | 0096439 | | | 3 | PARAFUSO | BOLT | TORNILLO | VIS |

ENGRENAGENS INTERMEDIÁRIAS DA DISTRIBUIÇÃO
IDLER GEARS
ENGRANAJES INTERMÉDIOS DE LA DISTRIBUCIÓN
PIGNONS INTERMÉDIARES DE LA DISTRIBUTION


GRUPO
GROUP
GRUPO
GROUPE

22/13



ENGRENAGENS INTERMEDIÁRIAS DA DISTRIBUIÇÃO
IDLER GEARS
ENGRANAJES INTERMEDIOS DE LA DISTRIBUCIÓN
PIGNONS INTERMÉDIARES DE LA DISTRIBUTION

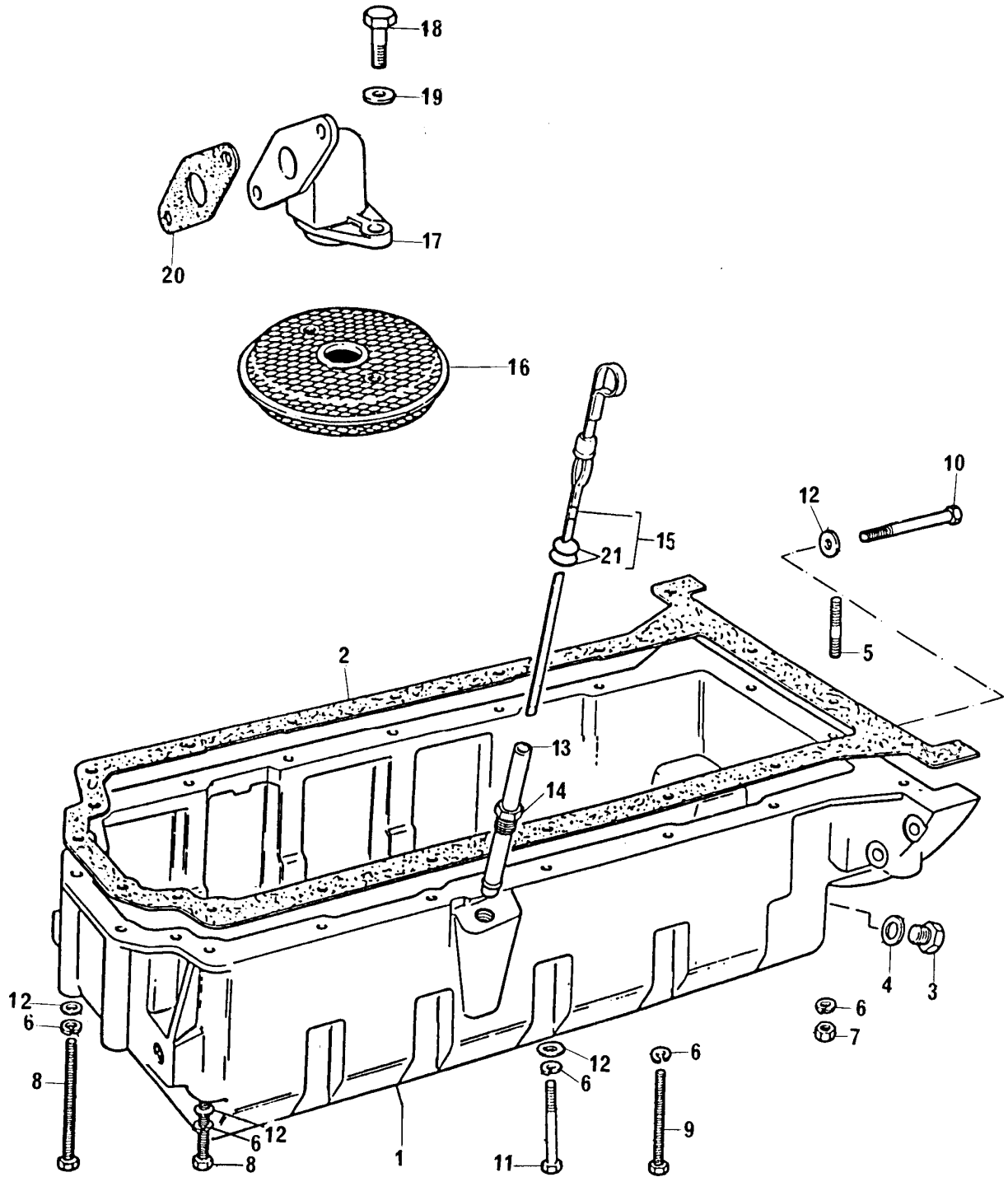
GRUPO
GROUP 22/13
GRUPO
GROUPE

| | | | | | | | |
|---|----------|---|----------|--------------|-------|-----------|--------|
| 1 | 70998172 |  | 70998001 | 1 CUBO | HUB | CUBO | MOYEU |
| 2 | 41115018 | | | 1 ENGRENAGEM | GEAR | ENGRANAJE | PIGNON |
| 3 | 0050345 | 2 | | 2 BUCHA | BUSH | BUJE | BAGUE |
| 4 | 70940151 | | | 1 PLACA | PLATE | PLACA | PLAQUE |
| 5 | 70740189 | | | 3 PARAFUSO | BOLT | TORNILLO | VIS |

CARTER DE ÓLEO LUBRIFICANTE
LUBRICATING OIL SUMP
CÂRTER DE ACEITE LUBRICANTE
CARTER À HUILE LUBRIFIANT

GRUPO
GROUP
GRUPO
GROUPE

31/51



CARTER DE ÓLEO LUBRIFICANTE
 LUBRICATING OIL SUMP
 CÂRTER DE ACEITE LUBRICANTE
 CARTER À HUILE LUBRIFIANTE

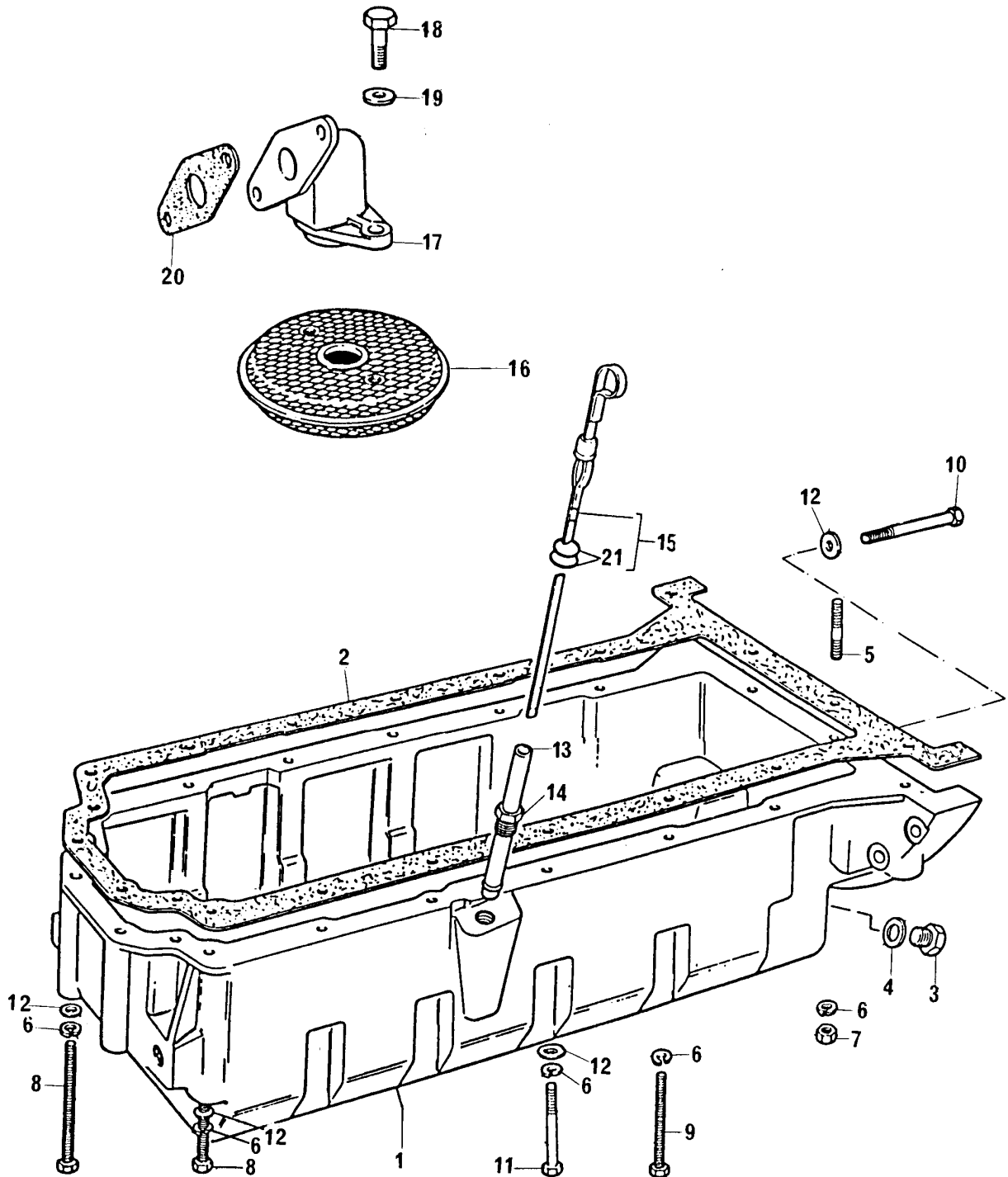
GRUPO
 GROUP 31/51
 GRUPO
 GROUPE

| | | | | | | | |
|----|----------|---|----|-----------------|--------------|----------------|------------------|
| 1 | 70830131 | | 1 | CÂRTER | SUMP | CÂRTER | CARTER |
| 2 | 36815721 | | 1 | JUNTA | JOINT | JUNTA | JOINT |
| 3 | 70650008 |  2487004 | 1 | BUJÃO DE DRENO | DRAIN PLUG | TAPÓN DRENAJE | BOUCHON VIDANGE |
| 4 | 70920109 | | 1 | ARRUELA | WASHER | ARANDELA | RONDELLE |
| 5 | 70820063 | | 2 | PRISIONEIRO | STUD | ESPÁRRAGO | GOUJON |
| 6 | 0920053 | | 20 | ARRUELA | WASHER | ARANDELA | RONDELLE |
| 7 | 0576002 | | 2 | PORCA | NUT | TUERCA | ÉCROU |
| 8 | 2184435 | | 6 | PARAFUSO | BOLT | TORNILLO | VIS |
| 9 | 0096241 | | 9 | PARAFUSO | BOLT | TORNILLO | VIS |
| 10 | 0096214 | | 2 | PARAFUSO | BOLT | TORNILLO | VIS |
| 11 | 0096215 | | 1 | PARAFUSO | BOLT | TORNILLO | VIS |
| 12 | 0920003 | | 9 | ARRUELA | WASHER | ARANDELA | RONDELLE |
| 13 | 70993138 | | 1 | TUBO | PIPE | CAÑO | TUYAUTERIE |
| 14 | 33533103 | 13 | 1 | PORCA | NUT | TUERCA | ÉCROU |
| 15 | 70320062 | | 1 | VARETA MEDIDORA | DIPSTICK | VARILLA NIVEL | JAUGE |
| 16 | 70998076 | | 1 | PENEIRA | SCREEN | TAMIZ | TAMIS |
| 17 | 37738261 | | 1 | CONEXÃO | CONNECTION | CONEXIÓN | RACCORD |
| 18 | 0746052 | | 2 | PARAFUSO | BOLT | TORNILLO | VIS |
| 19 | 0920052 | | 2 | ARRUELA | WASHER | ARANDELA | RONDELLE |
| 20 | 70490377 |  36832409 | 1 | JUNTA | JOINT | JUNTA | JOINT |
| 21 | 0640126 | 15 | 2 | ANEL VEDAÇÃO | SEALING RING | ANILLO SELLADO | BAGUÉ ÉTANCHÉITÉ |

CARTER DE ÓLEO LUBRIFICANTE
LUBRICATING OIL SUMP
CÂRTER DE ACEITE LUBRICANTE
CARTER À HUILE LUBRIFIANTE

GRUPO
GROUP
GRUPO
GROUPE

31/67



CARTER DE ÓLEO LUBRIFICANTE
 LUBRICATING OIL SUMP
 CÂRTER DE ACEITE LUBRICANTE
 CARTER À HUILE LUBRIFIANTE

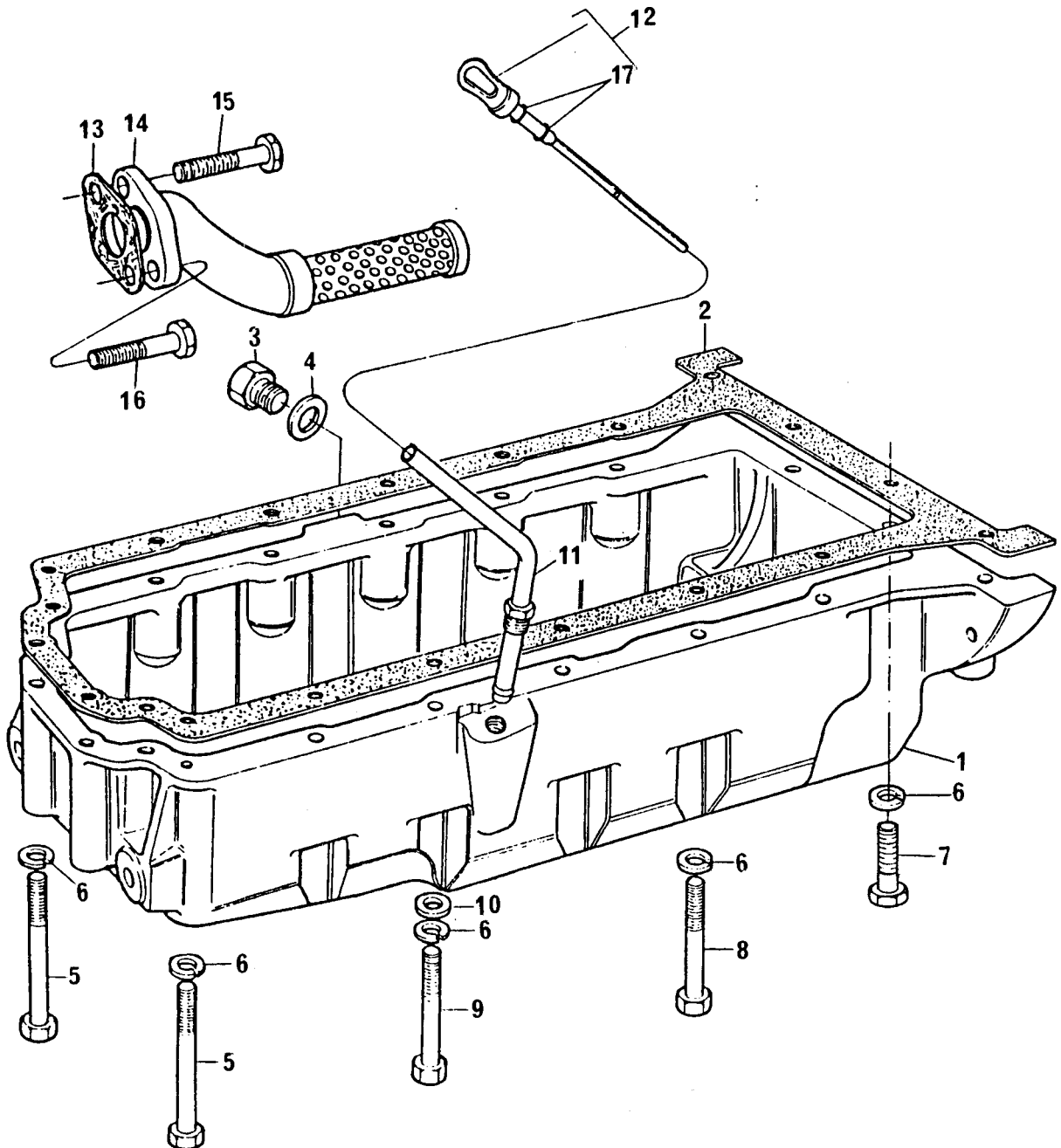
GRUPO
 GROUP 31/67
 GRUPO
 GROUPE

| | | | | | | | |
|----|----------|---|----|-----------------|--------------|----------------|------------------|
| 1 | 70830131 | | 1 | CÂRTER | SUMP | CÂRTER | CARTER |
| 2 | 36815721 | | 1 | JUNTA | JOINT | JUNTA | JOINT |
| 3 | 70650008 |  2487004 | 1 | BUJÃO DE DRENO | DRAIN PLUG | TAPÓN DRENAJE | BOUCHON VIDANGE |
| 4 | 70920109 | | 1 | ARRUELA | WASHER | ARANDELA | RONDELLE |
| 5 | 70820063 | | 2 | PRISIONEIRO | STUD | ESPÁRRAGO | GOUJON |
| 6 | 0920053 | | 20 | ARRUELA | WASHER | ARANDELA | RONDELLE |
| 7 | 0576002 | | 2 | PORCA | NUT | TUERCA | ÉCROU |
| 8 | 2184435 | | 6 | PARAFUSO | BOLT | TORNILLO | VIS |
| 9 | 0096241 | | 9 | PARAFUSO | BOLT | TORNILLO | VIS |
| 10 | 0096214 | | 2 | PARAFUSO | BOLT | TORNILLO | VIS |
| 11 | 0096215 | | 1 | PARAFUSO | BOLT | TORNILLO | VIS |
| 12 | 0920003 | | 9 | ARRUELA | WASHER | ARANDELA | RONDELLE |
| 13 | 70993138 | | 1 | TUBO | PIPE | CAÑO | TUYAUTERIE |
| 14 | 33533103 | 13 | 1 | PORCA | NUT | TUERCA | ÉCROU |
| 15 | 70320062 | | 1 | VARETA MEDIDORA | DIPSTICK | VARILLA NIVEL | JAUGE |
| 16 | 70998076 | | 1 | PENEIRA | SCREEN | TAMIZ | TAMIS |
| 17 | 37738261 | | 1 | CONEXÃO | CONNECTION | CONEXIÓN | RACCORD |
| 18 | 0746052 | | 2 | PARAFUSO | BOLT | TORNILLO | VIS |
| 19 | 0920052 | | 2 | ARRUELA | WASHER | ARANDELA | RONDELLE |
| 20 | 70490377 |  36832409 | 1 | JUNTA | JOINT | JUNTA | JOINT |
| 21 | 0640126 | 15 | 2 | ANEL VEDAÇÃO | SEALING RING | ANILLO SELLADO | BAGUÉ ÉTANCHÉITÉ |

CARTER DE ÓLEO LUBRIFICANTE
LUBRICATING OIL SUMP
CÂRTER DE ACEITE LUBRIFICANTE
CARTER À HUILE LUBRIFIANTE

GRUPO
GROUP
GRUPO
GROUPE

31/114



CARTER DE ÓLEO LUBRIFICANTE
LUBRICATING OIL SUMP
CÁRTER DE ACEITE LUBRIFICANTE
CARTER À HUILE LUBRIFIANTE

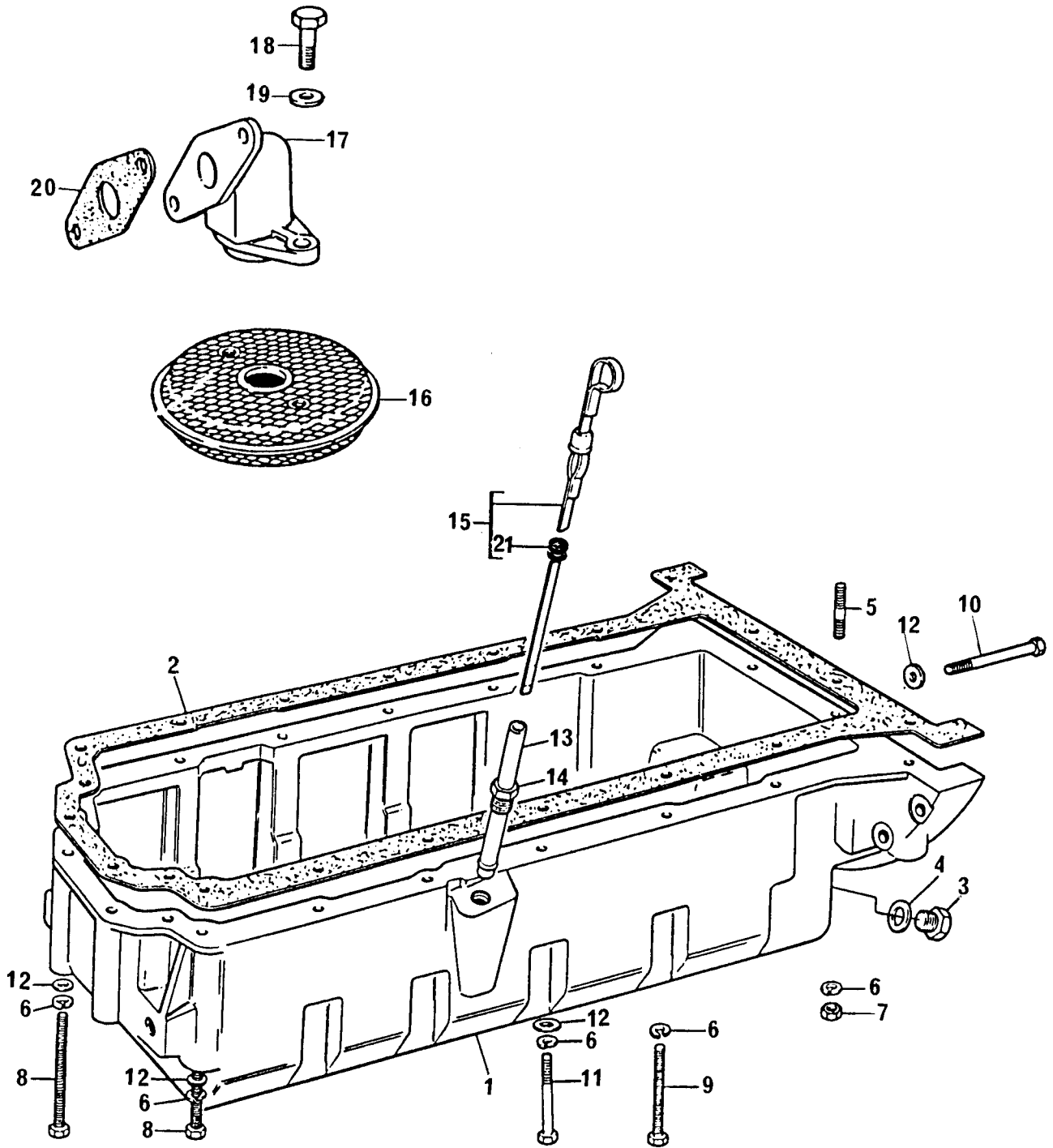
GRUPO
GROUP 31/114
GRUPO
GROUPE

| | | | | | | | |
|----|----------|------------|----|-----------------|--------------|---------------|------------------|
| 1 | 70830129 | | 1 | CÁRTER | SUMP | CÁRTER | CARTER |
| 2 | 36815721 | | 1 | JUNTA | JOINT | JUNTA | JOINT |
| 3 | 70650008 | ●○ 2487004 | 1 | BUJÃO DE DRENO | DRAIN PLUG | TAPÓN DRENAJE | BOUCHON VIDANGE |
| 4 | 70920109 | | 1 | ARRUELA | WASHER | ARANDELA | RONDELLE |
| 5 | 2184435 | | 6 | PARAFUSO | BOLT | TORNILLO | VIS |
| 6 | 0920053 | | 20 | ARRUELA | WASHER | ARANDELA | RONDELLE |
| 7 | 0096242 | | 2 | PARAFUSO | BOLT | TORNILLO | VIS |
| 8 | 0096241 | | 11 | PARAFUSO | BOLT | TORNILLO | VIS |
| 9 | 0096215 | | 1 | PARAFUSO | BOLT | TORNILLO | VIS |
| 10 | 0920003 | | 1 | ARRUELA | WASHER | ARANDELA | RONDELLE |
| 11 | 70992095 | | 1 | TUBO | PIPE | CAÑO | TUYAUTERIE |
| 12 | 70320056 | | 1 | VARETA MEDIDORA | DIPSTICK | VARILLA NIVEL | JAUGE |
| 13 | 3683L002 | | 1 | JUNTA | JOINT | JUNTA | JOINT |
| 14 | 3764E031 | | 1 | TUBO | PIPE | CAÑO | TUYAUTERIE |
| 15 | 2315C053 | | 1 | PARAFUSO | BOLT | TORNILLO | VIS |
| 16 | 2315C059 | | 1 | PARAFUSO | BOLT | TORNILLO | VIS |
| 17 | 0640126 | 12 | 2 | ANEL VEDAÇÃO | SEALING RING | ANILLO SELADO | BAGUE ÉTANCHÉITE |

CARTER DE ÓLEO LUBRIFICANTE
LUBRICATING OIL SUMP
CÂRTER DE ACEITE LUBRICANTE
CARTER À HUILE LUBRIFIANTE

GRUPO
GROUP
GRUPO
GROUPE

31/137



CARTER DE ÓLEO LUBRIFICANTE
 LUBRICATING OIL SUMP
 CÂRTER DE ACEITE LUBRIFICANTE
 CARTER À HUILE LUBRIFIANTE

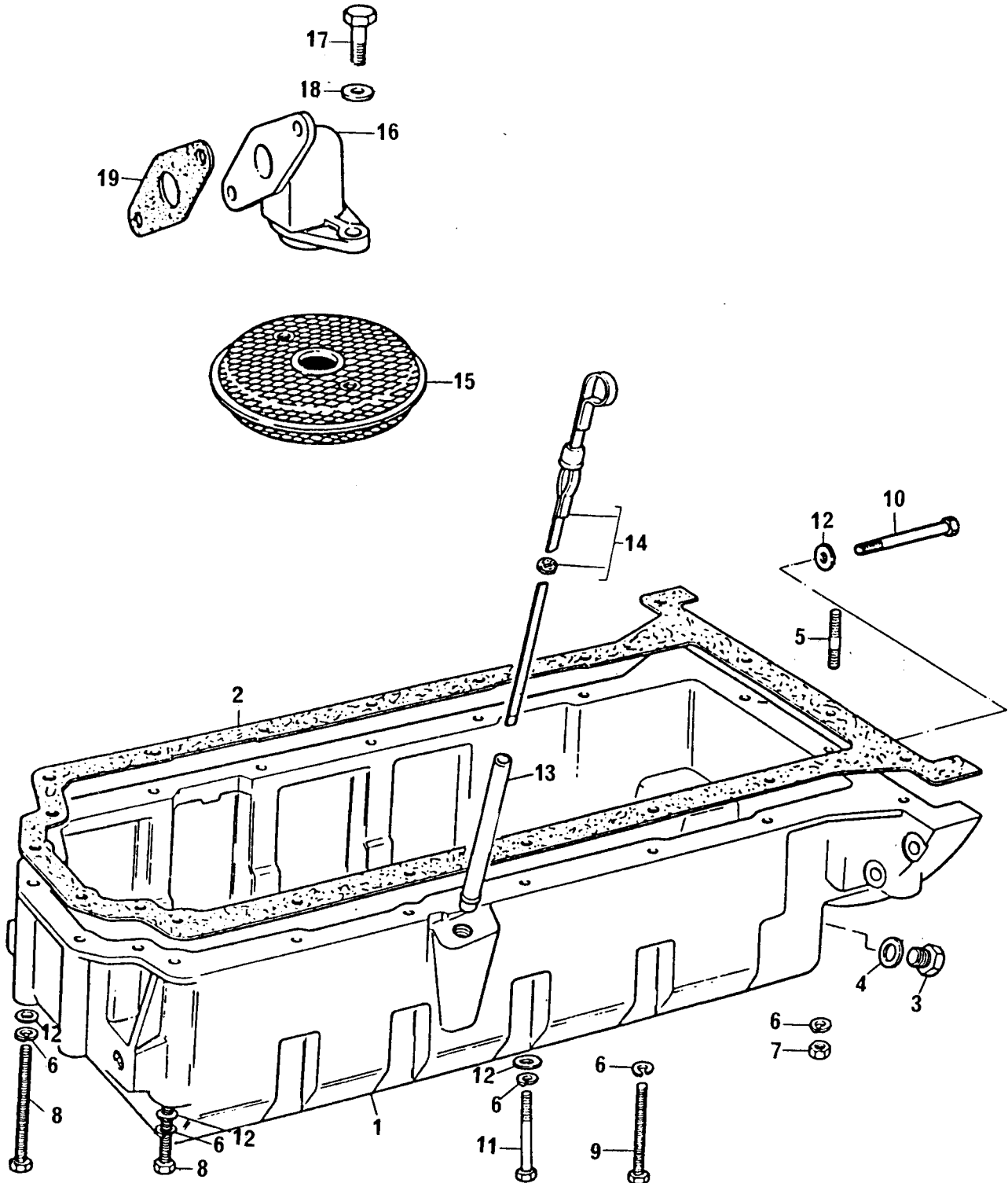
GRUPO
 GROUP 31/137
 GRUPO
 GROUPE

| | | | | | | | |
|----|----------|---|----|-----------------|--------------|----------------|------------------|
| 1 | 70830131 | | 1 | CÂRTER | SUMP | CÂRTER | CARTER |
| 2 | 36815721 | | 1 | JUNTA | JOINT | JUNTA | JOINT |
| 3 | 70650008 |  2487004 | 1 | BUJÃO DE DRENO | DRAIN PLUG | TAPÓN DRENAJE | BOUCHON VIDANGE |
| 4 | 70920109 | | 1 | ARRUELA | WASHER | ARANDELA | RONDELLE |
| 5 | 70820063 | | 2 | PRISIONEIRO | STUD | ESPÁRRAGO | GOUJON |
| 6 | 0920053 | | 20 | ARRUELA | WASHER | ARANDELA | RONDELLE |
| 7 | 0576002 | | 2 | PORCA | NUT | TUERCA | ÉCROU |
| 8 | 2184435 | | 6 | PARAFUSO | BOLT | TORNILLO | VIS |
| 9 | 0096241 | | 11 | PARAFUSO | BOLT | TORNILLO | VIS |
| 10 | 0096214 | | 2 | PARAFUSO | BOLT | TORNILLO | VIS |
| 11 | 0096215 | | 1 | PARAFUSO | BOLT | TORNILLO | VIS |
| 12 | 0920003 | | 9 | ARRUELA | WASHER | ARANDELA | RONDELLE |
| 13 | 70993138 | | 1 | TUBO | PIPE | CAÑO | TUYAUTERIE |
| 14 | 33533103 | 13 | 1 | PORCA | NUT | TUERCA | ÉCROU |
| 15 | 70320062 | | 1 | VARETA MEDIDORA | DIPSTICK | VARILLA NIVEL | JAUGE |
| 16 | 70998076 | | 1 | PENEIRA | SCREEN | TAMIZ | TAMIS |
| 17 | 37738261 | | 1 | CONEXÃO | CONNECTION | CONEXIÓN | RACCORD |
| 18 | 0746052 | | 2 | PARAFUSO | BOLT | TORNILLO | VIS |
| 19 | 0920052 | | 2 | ARRUELA | WASHER | ARANDELA | RONDELLE |
| 20 | 70490377 |  36832409 | 1 | JUNTA | JOINT | JUNTA | JOINT |
| 21 | 0640126 | 15 | 2 | ANEL VEDAÇÃO | SEALING RING | ANILLO SELLADO | BAGUÉ ÉTANCHÉITÉ |

CARTER DE ÓLEO LUBRIFICANTE
LUBRICATING OIL SUMP
CÂRTER DE ACEITE LUBRIFICANTE
CARTER À HUILE LUBRIFIANTE

GRUPO
GROUP
GRUPO
GROUPE

31/144



CARTER DE ÓLEO LUBRIFICANTE
 LUBRICATING OIL SUMP
 CÁRTER DE ACEITE LUBRICANTE
 CARTER À HUILE LUBRIFIANTE

GRUPO
 GROUP
 GRUPO
 GROUPE

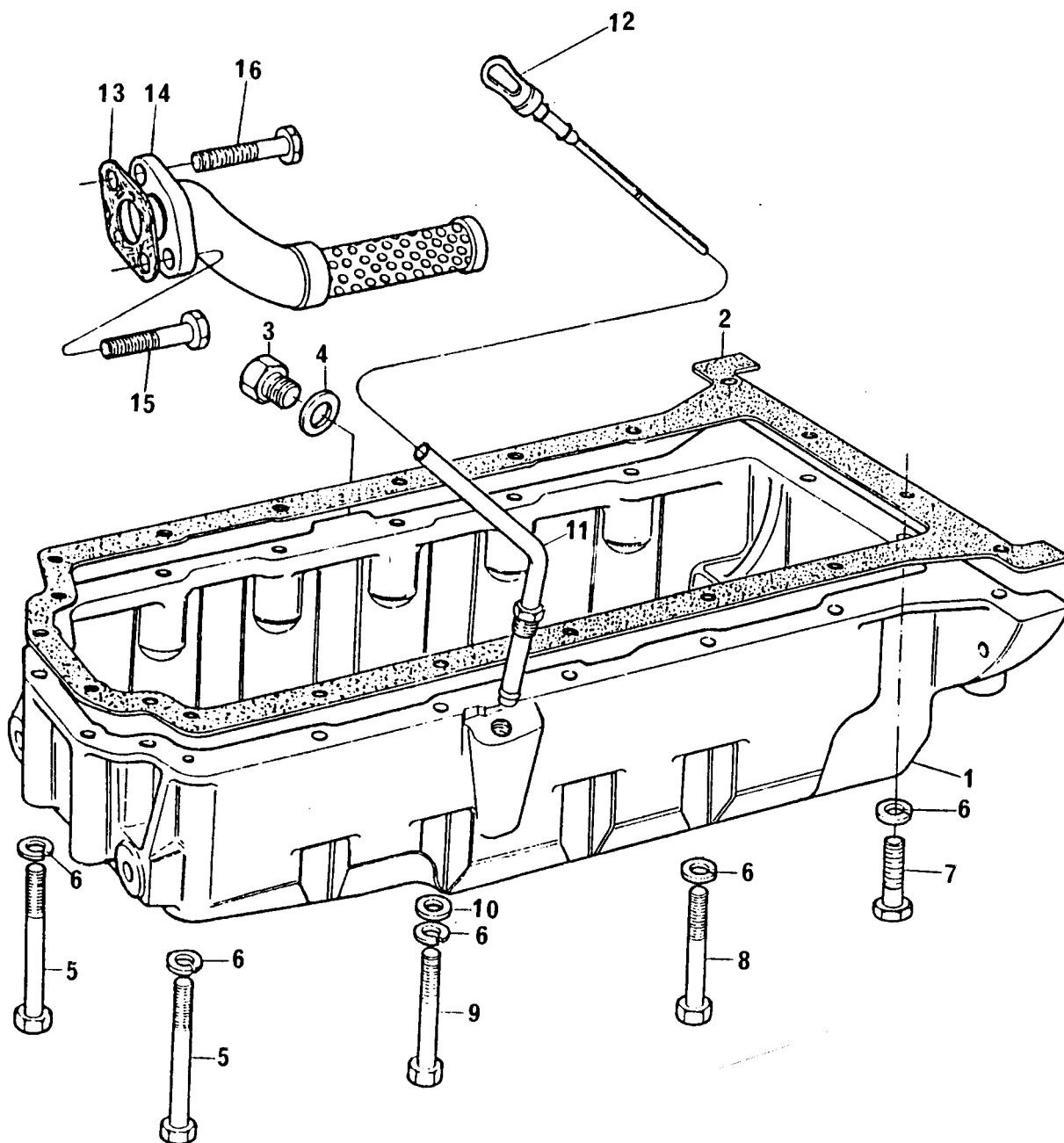
31/144

| | | | | | | | |
|----|----------|-------------|----|-----------------|------------|---------------|-----------------|
| 1 | 70830131 | | 1 | CÁRTER | SUMP | CÁRTER | CARTER |
| 2 | 36815721 | | 1 | JUNTA | JOINT | JUNTA | JOINT |
| 3 | 70650008 | ●○ 2487004 | 1 | BUJÃO DE DRENO | DRAIN PLUG | TAPÓN DRENAJE | BOUCHON VIDANGE |
| 4 | 70920008 | | 1 | ARRUELA | WASHER | ARANDELA | RONDELLE |
| 5 | 70820063 | | 2 | PRISIONEIRO | STUD | ESPÁRRAGO | GOUJON |
| 6 | 0920053 | | 20 | ARRUELA | WASHER | ARANDELA | RONDELLE |
| 7 | 0576002 | | 2 | PORCA | NUT | TUERCA | ÉCROU |
| 8 | 2184435 | | 6 | PARAFUSO | BOLT | TORNILLO | VIS |
| 9 | 0096241 | | 11 | PARAFUSO | BOLT | TORNILLO | VIS |
| 10 | 0096214 | | 2 | PARAFUSO | BOLT | TORNILLO | VIS |
| 11 | 0096215 | | 1 | PARAFUSO | BOLT | TORNILLO | VIS |
| 12 | 0920003 | | 11 | ARRUELA | WASHER | ARANDELA | RONDELLE |
| 13 | 70992341 | | 1 | TUBO | PIPE | CAÑO | TUYAUTERIE |
| 14 | 70320076 | ●○ 70320055 | 1 | VARETA MEDIDORA | DIPSTICK | VARILLA NIVEL | JAUGE |
| 15 | 70998076 | | 1 | PENEIRA | SCREEN | TAMIZ | TAMIS |
| 16 | 37738261 | | 1 | CONEXÃO | CONNECTION | CONEXIÓN | RACCORD |
| 17 | 0746052 | | 2 | PARAFUSO | BOLT | TORNILLO | VIS |
| 18 | 0920052 | | 2 | ARRUELA | WASHER | ARANDELA | RONDELLE |
| 19 | 70490377 | ●○ 36832409 | 1 | JUNTA | JOINT | JUNTA | JOINT |

CARTER DE ÓLEO LUBRIFICANTE
LUBRICATING OIL SUMP
CÁRTER DE ACEITE LUBRICANTE
CARTER À HUILE LUBRIFIANTE

GRUPO
GROUP
GRUPO
GROUPE

31/145



CARTER DE ÓLEO LUBRIFICANTE
LUBRICATING OIL SUMP
CÁRTER DE ACEITE LUBRICANTE
CARTER À HUILE LUBRIFIANTE

GRUPO
GROUP
GRUPO
GROUPE

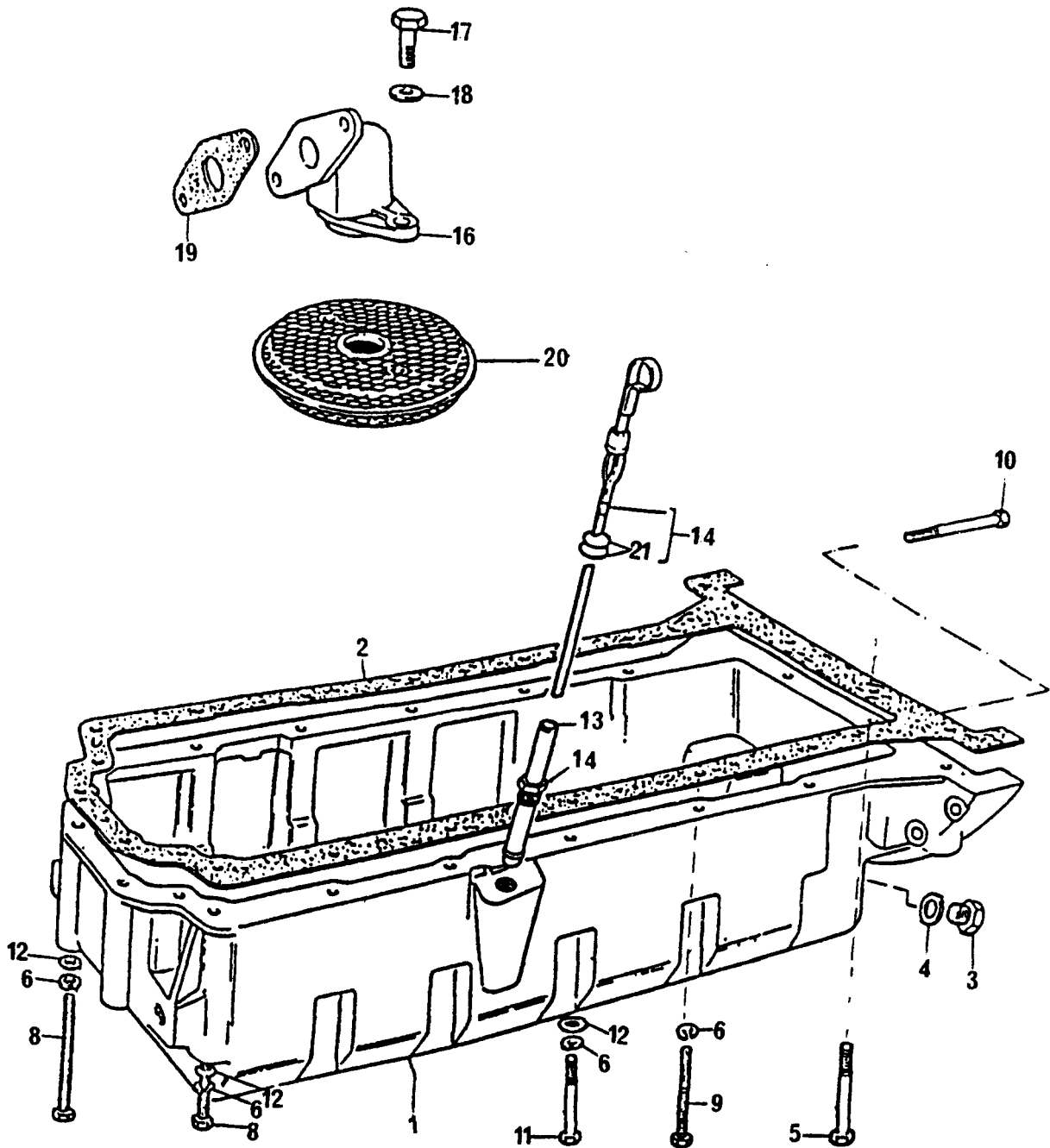
31/145

| | | | | | | | |
|----|----------|-------------|----|-----------------|------------|---------------|-----------------|
| 1 | 70830129 | | 1 | CÁRTER | SUMP | CÁRTER | CARTER |
| 2 | 36815721 | | 1 | JUNTA | JOINT | JUNTA | JOINT |
| 3 | 70650008 | ●○ 2487004 | 1 | BUJÃO DE DRENO | DRAIN PLUG | TAPÓN DRENAJE | BOUCHON VIDANGE |
| 4 | 70920109 | | 1 | ARRUELA | WASHER | ARANDELA | RONDELLE |
| 5 | 2184435 | | 6 | PARAFUSO | BOLT | TORNILLO | VIS |
| 6 | 0920053 | | 20 | ARRUELA | WASHER | ARANDELA | RONDELLE |
| 7 | 0096242 | | 2 | PARAFUSO | BOLT | TORNILLO | VIS |
| 8 | 0096241 | | 11 | PARAFUSO | BOLT | TORNILLO | VIS |
| 9 | 0096215 | | 1 | PARAFUSO | BOLT | TORNILLO | VIS |
| 10 | 0920003 | | 1 | ARRUELA | WASHER | ARANDELA | RONDELLE |
| 11 | 70992340 | | 1 | TUBO | PIPE | CAÑO | TUYAUTERIE |
| 12 | 70320076 | ●○ 70320055 | 1 | VARETA MEDIDORA | DIPSTICK | VARILLA NIVEL | JAUGE |
| 13 | 3683L002 | | 1 | JUNTA | JOINT | JUNTA | JOINT |
| 14 | 3764E031 | | 1 | TUBO | PIPE | CAÑO | TUYAUTERIE |
| 15 | 2315C053 | | 1 | PARAFUSO | BOLT | TORNILLO | VIS |
| 16 | 2315C059 | | 1 | PARAFUSO | BOLT | TORNILLO | VIS |

CARTER DE ÓLEO LUBRIFICANTE
LUBRICATING OIL SUMP
CÂRTER DE ACEITE LUBRIFICANTE
CARTER À HUILE LUBRIFIANTE

GRUPO
GROUP
GRUPO
GROUPE

31/183



CARTER DE ÓLEO LUBRIFICANTE
LUBRICATING OIL SUMP
CÁRTER DE ACEITE LUBRIFICANTE
CARTER À HUILE LUBRIFIANTE

GRUPO
GROUP
GRUPO
GROUPE

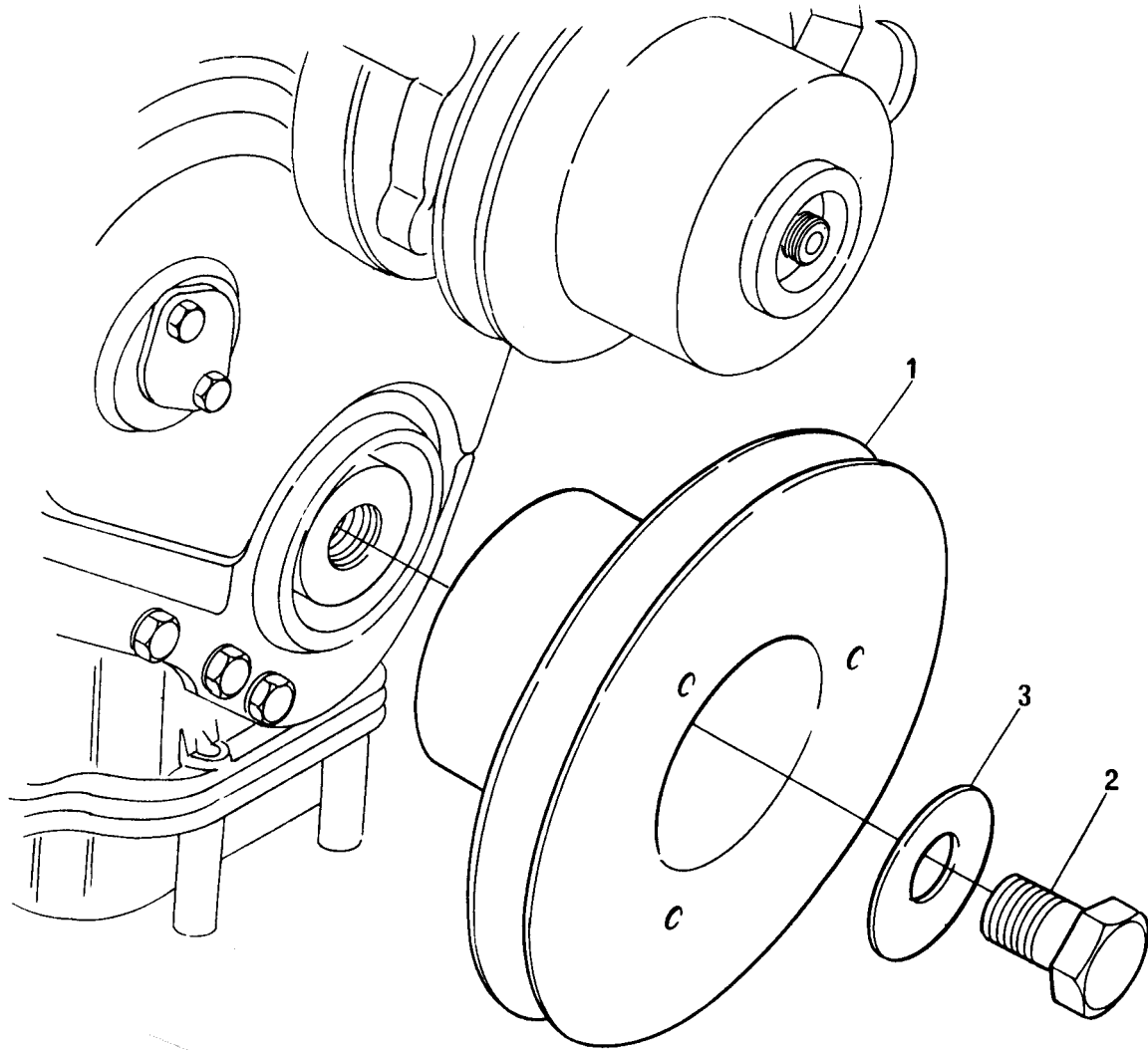
31/183

| | | | | | | |
|----|----------|----|-----------------|------------|---------------|-----------------|
| 1 | 70830133 | 1 | CÁRTER | SUMP | CÁRTER | CARTER |
| 2 | 36815721 | 1 | JUNTA | JOINT | JUNTA | JOINT |
| 3 | 70650008 | 1 | BUJÃO DE DRENO | DRAIN PLUG | TAPÓN DRENAJE | BOUCHON VIDANGE |
| 4 | 70920008 | 1 | ARRUELA | WASHER | ARANDELA | RONDELLE |
| 6 | 0920053 | 20 | ARRUELA | WASHER | ARANDELA | RONDELLE |
| 8 | 2184435 | 6 | PARAFUSO | BOLT | TORNILLO | VIS |
| 9 | 0096241 | 11 | PARAFUSO | BOLT | TORNILLO | VIS |
| 10 | 0096214 | 2 | PARAFUSO | BOLT | TORNILLO | VIS |
| 11 | 0096215 | 1 | PARAFUSO | BOLT | TORNILLO | VIS |
| 12 | 0920003 | 11 | ARRUELA | WASHER | ARANDELA | RONDELLE |
| 13 | 70992820 | 1 | TUBO | PIPE | CAÑO | TUYAUTERIE |
| 14 | 70320078 | 1 | VARETA MEDIDORA | DIPSTICK | VARILLA NIVEL | JAUGE |
| 16 | 37738261 | 1 | CONEXÃO | CONNECTION | CONEXIÓN | RACCORD |
| 17 | 0746052 | 2 | PARAFUSO | BOLT | TORNILLO | VIS |
| 18 | 0920052 | 2 | ARRUELA | WASHER | ARANDELA | RONDELLE |
| 19 | 70490377 | 1 | JUNTA | JOINT | JUNTA | JOINT |
| 20 | 70998076 | 1 | PENEIRA | SCREEN | TAMIZ | TAMIS |

POLIA DA ÁRVORE DE MANIVELAS
CRANKSHAFT PULLEY
POLEA DEL CIGUEÑAL
POULIE DU VILEBREQUIN

GRUPO
GROUP
GRUPO
GROUPE

32/46



POLIA DA ÁRVORE DE MANIVELAS
CRANKSHAFT PULLEY
POLEA DEL CIGUEÑAL
POULIE DU VILEBREQUIN

GRUPO
GROUP 32/46
GRUPO
GROUPE

1 70670170
2 32162319
3 33125124

1 POLIA
1 PARAFUSO
1 ARRUELA

PULLEY
BOLT
WASHER

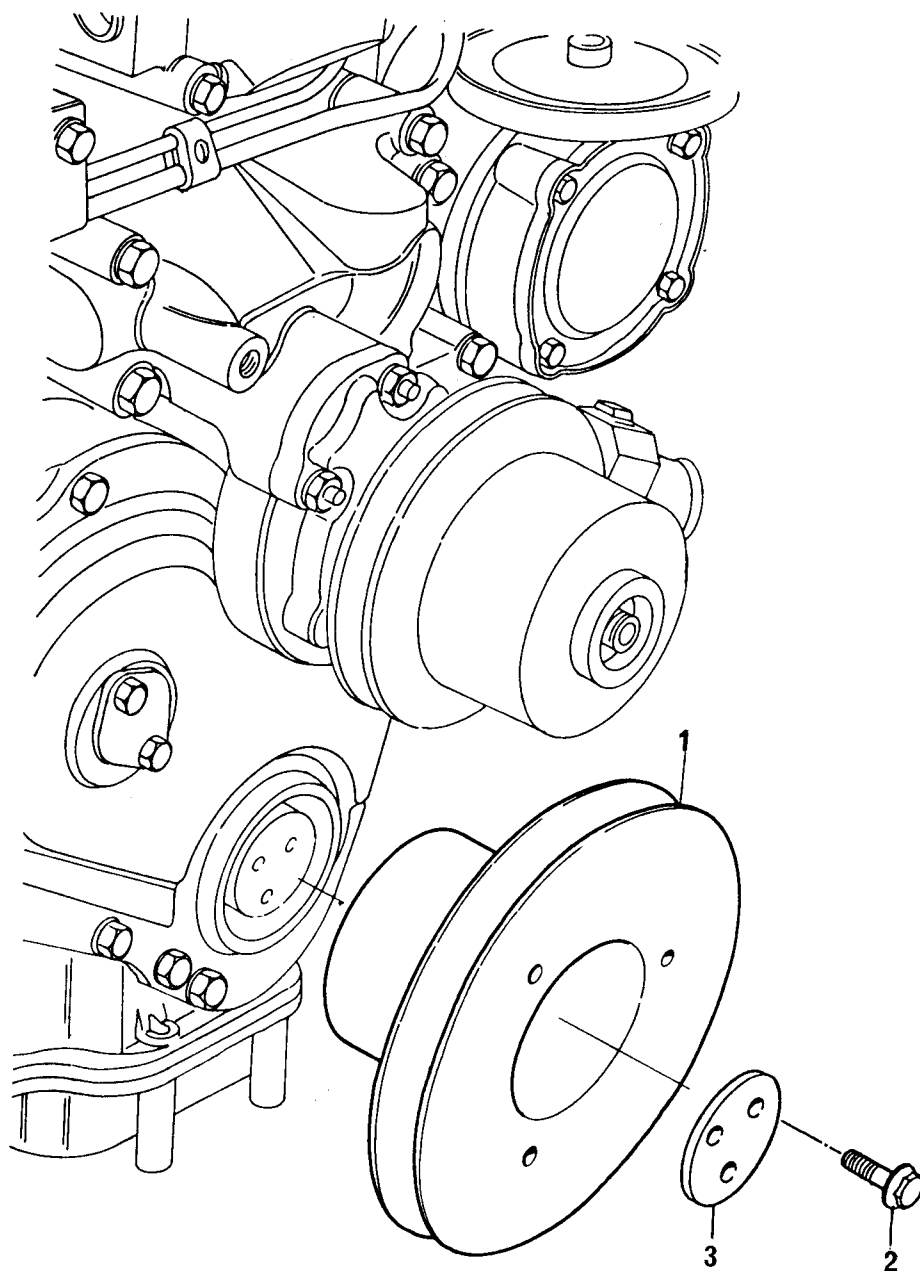
POLEA
TORNILLO
ARANDELA

POULIE
VIS
RONDELLE

POLIA DA ÁRVORE DE MANIVELAS
CRANKSHAFT PULLEY
POLEA DEL CIGUEÑAL
POULIE DU VILEBREQUIN

GRUPO
GROUP
GRUPO
GROUPE

32/101



POLIA DA ÁRVORE DE MANIVELAS
CRANKSHAFT PULLEY
POLEA DEL CIGUEÑAL
POULIE DU VILEBREQUIN

GRUPO
GROUP 32/101
GRUPO
GROUPE

1 70670168
2 70740373
3 3242T001



32186139

1 POLIA
3 PARAFUSO
1 PLACA

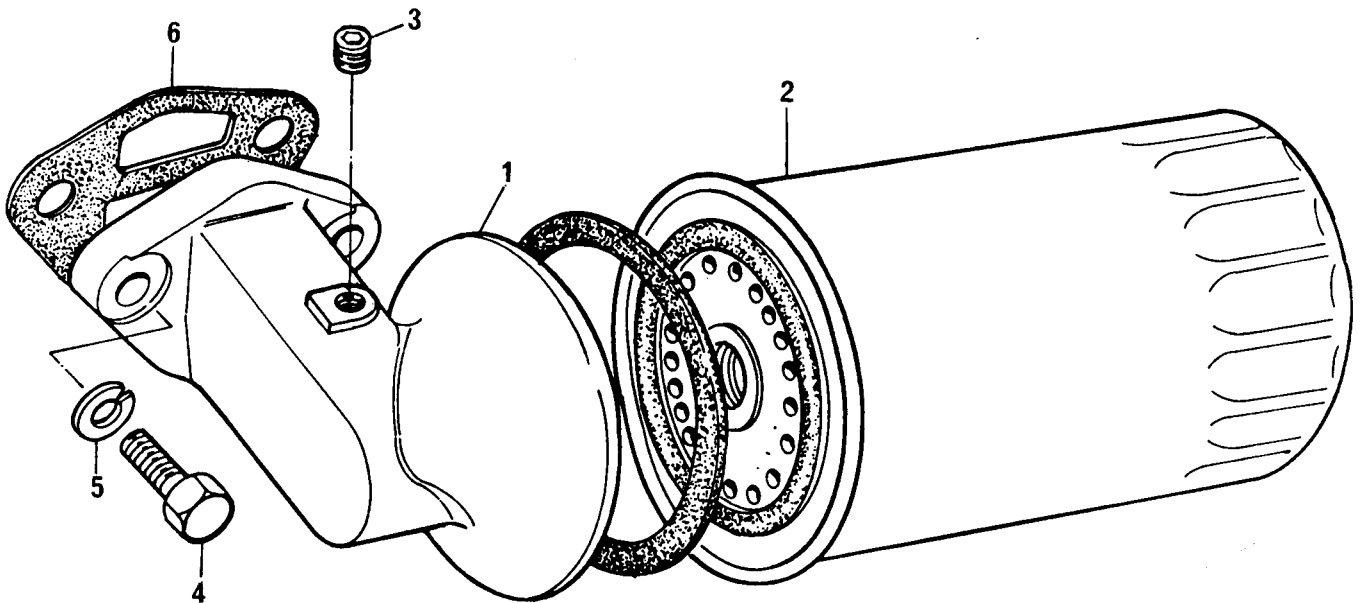
PULLEY
BOLT
PLATE

POLEA
TORNILLO
PLACA

POULIE
VIS
PLAQUE

FILTRO DE ÓLEO LUBRIFICANTE
LUBRICATING OIL FILTER
FILTRO DE ACEITE LUBRICANTE
FILTRE À HUILE LUBRIFIANTE

GRUPO
GROUP 33/21
GRUPO
GROUPE



FILTRO DE ÓLEO LUBRIFICANTE
LUBRICATING OIL FILTER
FILTRO DE ACEITE LUBRIFICANTE
FILTRE À HUILE LUBRIFIANTE

GRUPO
GROUP
GRUPO
GROUPE

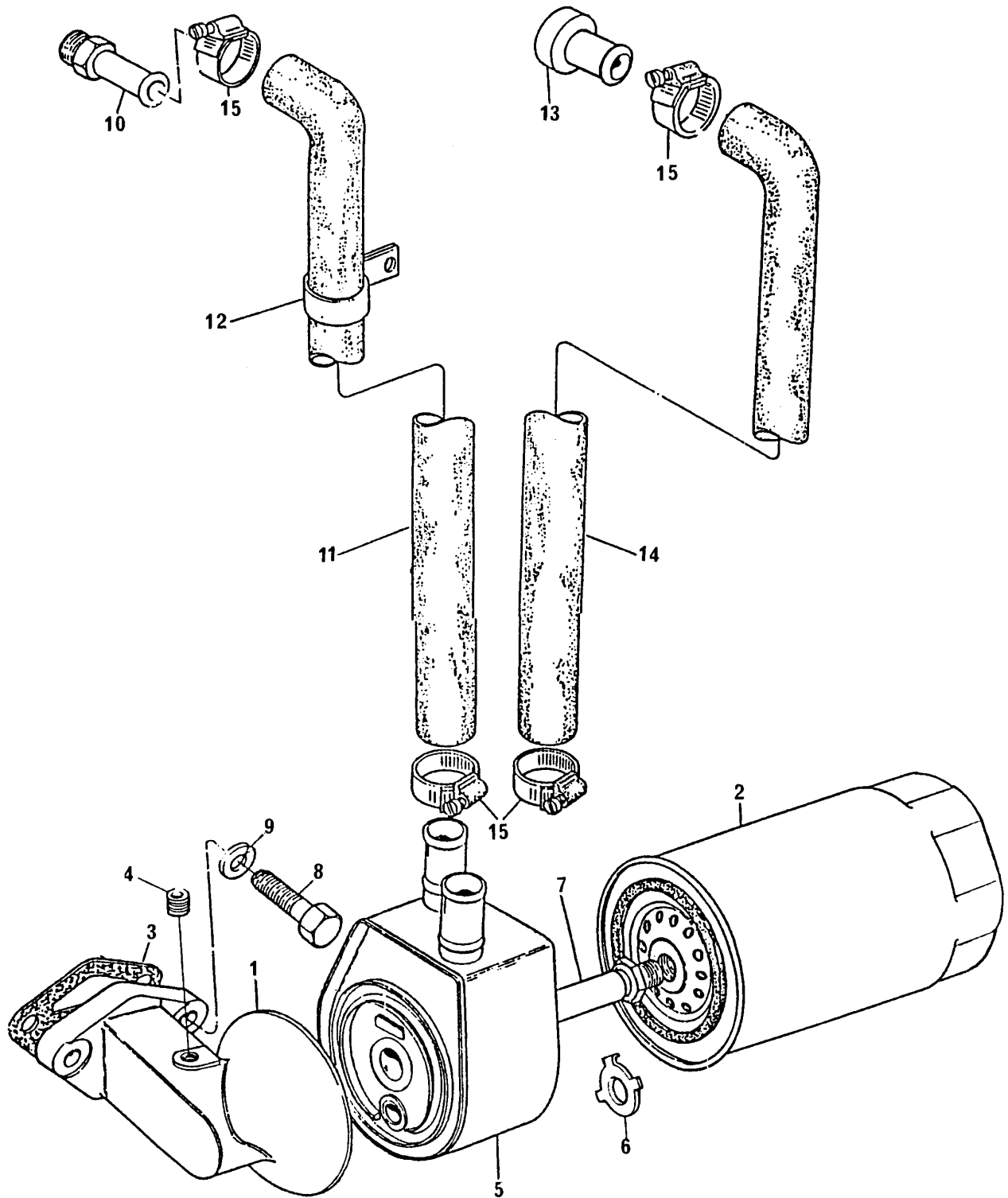
33/21

| | | | | | | | |
|---|----------|----|----------|-------------------|-------------|---------------|----------------|
| 1 | 70997145 | ●○ | 70997134 | 1 CABEÇOTE FILTRO | FILTER HEAD | CABEZA FILTRO | TÊTE DE FILTRE |
| 2 | 71054 | | | 1 ELEMENTO | ELEMENT | ELEMENTO | ELEMENT |
| 3 | 70650116 | | | 1 BUJÃO | PLUG | TAPÓN | BOUCHON |
| 4 | 0746610 | | | 2 PARAFUSO | BOLT | TORNILLO | VIS |
| 5 | 0920055 | | | 2 ARRUELA | WASHER | ARANDELA | RONDELLE |
| 6 | 70490383 | ●○ | 36862517 | 1 JUNTA | JOINT | JUNTA | JOINT |

FILTRO DE ÓLEO LUBRIFICANTE E RESFRIADOR DE ÓLEO
LUBRICATING OIL FILTER AND OIL COOLER
FILTRO DE ACEITE LUBRICANTE Y REFRIGERADOR DE ACEITE
FILTRE À HUILE LUBRIFIANTE ET REFRIGÉRISEUR D'HUILE






GRUPO
GROUP
GRUPO
GROUPE

33/101



FILTRO DE ÓLEO LUBRIFICANTE E RESFRIADOR DE ÓLEO
LUBRICATING OIL FILTER AND OIL COOLER
FILTRO DE ACEITE LUBRICANTE Y REFRIGERADOR DE ACEITE
FILTRE À HUILE LUBRIFIANTE ET REFRIGÉRISEUR D'HUILE

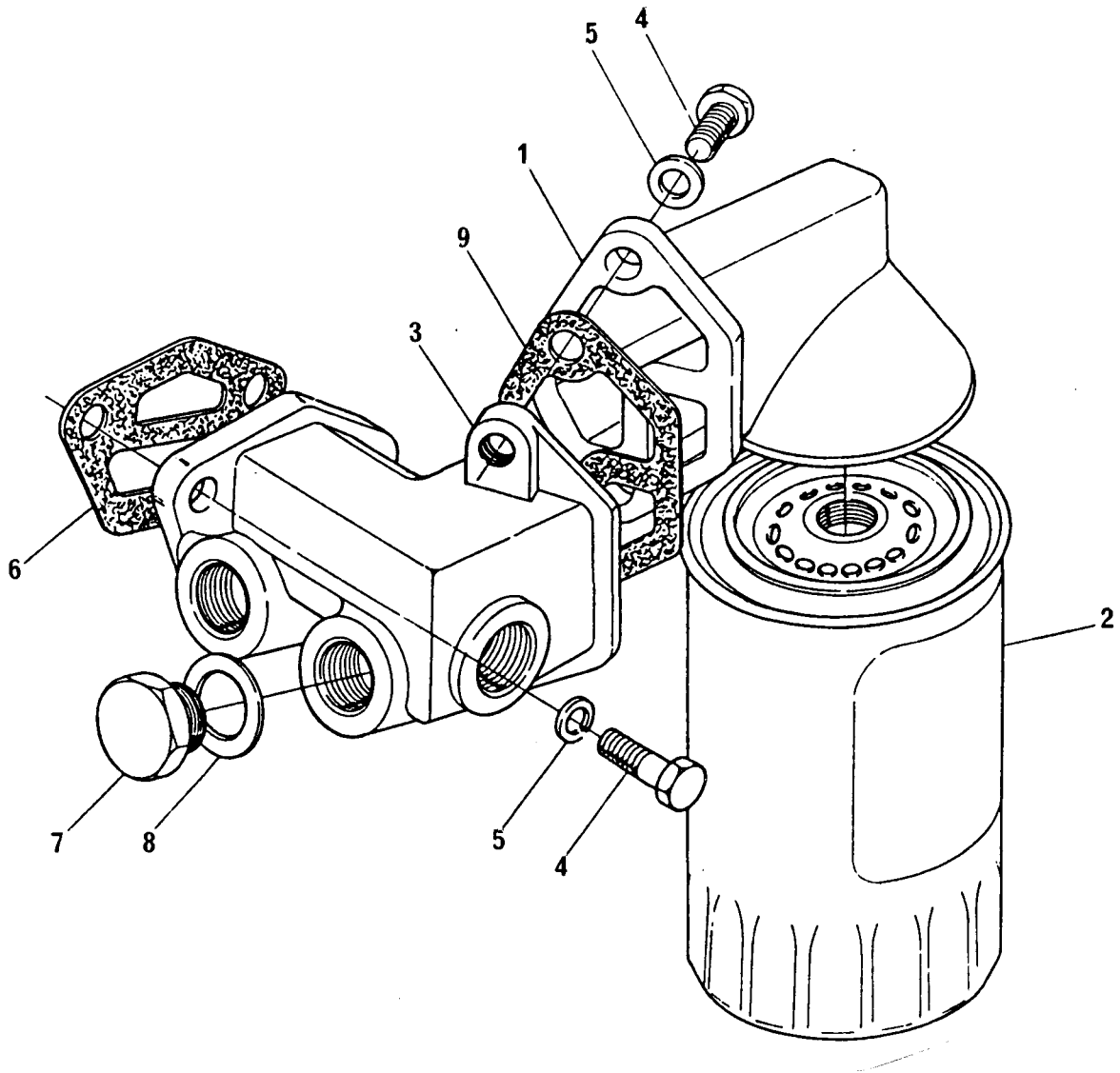
GRUPO
GROUP 33/101
GRUPO
GROUPE

| | | | | | | |
|----|----------|--|-------------------|-------------|---------------|----------------|
| 1 | 70997144 |  70997133 | 1 CABEÇOTE FILTRO | FILTER HEAD | CABEZA FILTRO | TÊTE DE FILTRE |
| 2 | 71054 |  71057 | 1 ELEMENTO | ELEMENT | ELEMENTO | ELEMENT |
| 3 | 70490383 |  36862517 | 1 JUNTA | JOINT | JUNTA | JOINT |
| 4 | 70650116 | | 1 BUJÃO | BOUJON | TAPÓN | BOUCHON |
| 5 | 75053 | | 1 RESFRIADOR | OIL COOLER | REFRIGERADOR | REFROIDISSEUR |
| 6 | 70920094 | | 1 ARRUELA TRAVA | TABWASHER | ARANDELA | RONDELLE |
| 7 | 70200300 |  456341Y | 1 CONEXÃO | CONNECTION | CONEXIÓN | RACCORD |
| 7 | 70993311 |  456342Y | 1 CONEXÃO | CONNECTION | CONEXIÓN | RACCORD |
| 8 | 0746610 | | 2 PARAFUSO | BOLT | TORNILLO | VIS |
| 9 | 0920055 | | 2 ARRUELA | WASHER | ARANDELA | RONDELLE |
| 10 | 70200590 | | 1 CONEXÃO | CONNECTION | CONEXIÓN | RACCORD |
| 11 | 70200425 | | 1 MANGUEIRA | HOSE | MANGUERA | DURITE |
| 12 | 70180125 | | 1 PRESILHA | CLIP | SUJETADOR | AGRAFE |
| 13 | 70470068 | | 1 ADAPTADOR | ADAPTOR | ADAPTADOR | ADAPTATEUR |
| 14 | 70200691 | | 1 MANGUEIRA | HOSE | MANGUERA | DURITE |
| 15 | 70180154 | | 4 BRAÇADEIRA | CLAMP | ABRAZADERA | COLLIER |

FILTRO DE ÓLEO LUBRIFICANTE
LUBRICATING OIL FILTER
FILTRO DE ACEITE LUBRICANTE
FILTRE À HUILE LUBRIFIANTE


GRUPO
GROUP
GRUPO
GROUPE

33/116



FILTRO DE ÓLEO LUBRIFICANTE
LUBRICATING OIL FILTER
FILTRO DE ACEITE LUBRIFICANTE
FILTRE À HUILE LUBRIFIANTE

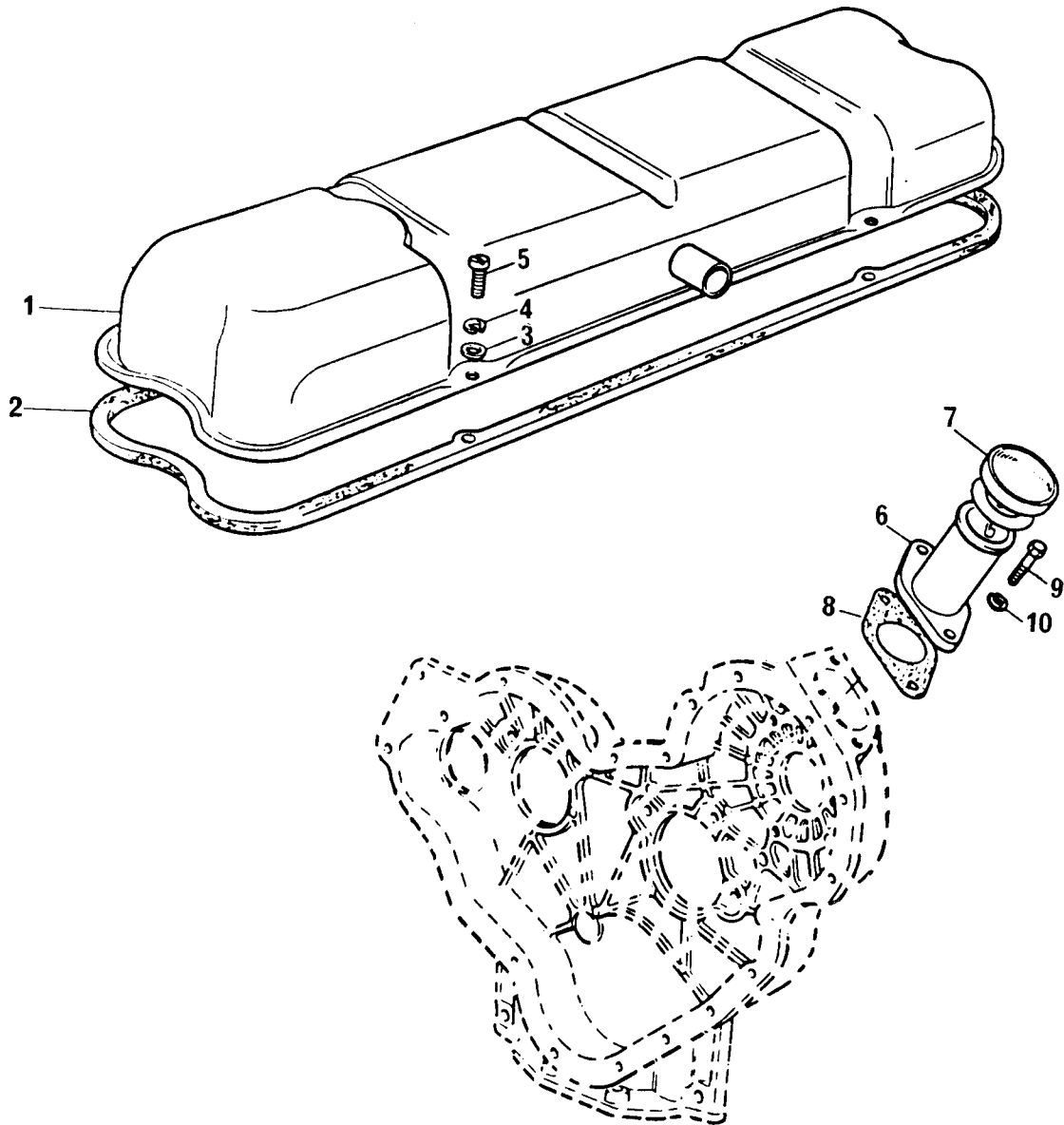
GRUPO
GROUP 33/116
GRUPO
GROUPE

| | | | | | | | | |
|---|----------|--|---|-----------------|-------------|--|---------------|----------------|
| 1 | 37764191 | | 1 | CABEÇOTE FILTRO | FILTER HEAD | | CABEZA FILTRO | TÊTE DE FILTRE |
| 2 | 71054 | | 1 | ELEMENTO | ELEMENT | | ELEMENTO | ELEMENT |
| 3 | 37764401 | | 1 | ADAPTADOR | ADAPTOR | | ADAPTADOR | ADAPTATEUR |
| 4 | 0746652 | | 4 | PARAFUSO | BOLT | | TORNILLO | VIS |
| 5 | 0920055 | | 4 | ARRUELA | WASHER | | ARANDELA | RONDELLE |
| 6 | 70490383 |  36862517 | 1 | JUNTA | JOINT | | JUNTA | JOINT |
| 7 | 80650722 | | 3 | BUJÃO | PLUG | | TAPÓN | BOUCHON |
| 8 | 70920065 | | 3 | ARRUELA | WASHER | | ARANDELA | RONDELLE |
| 9 | 36862558 | | 1 | JUNTA | JOINT | | JUNTA | JOINT |

TAMPA DO CABEÇOTE
CYLINDER HEAD COVER
TAPA DE VÁLVULAS
CACHE-CULBUTEURS

GRUPO
GROUP
GRUPO
GROUPE


34/38



TAMPA DO CABEÇOTE
CYLINDER HEAD COVER
TAPA DE VÁLVULAS
CACHE-CULBUTEURS

GRUPO
GROUP
GRUPO
GROUPE

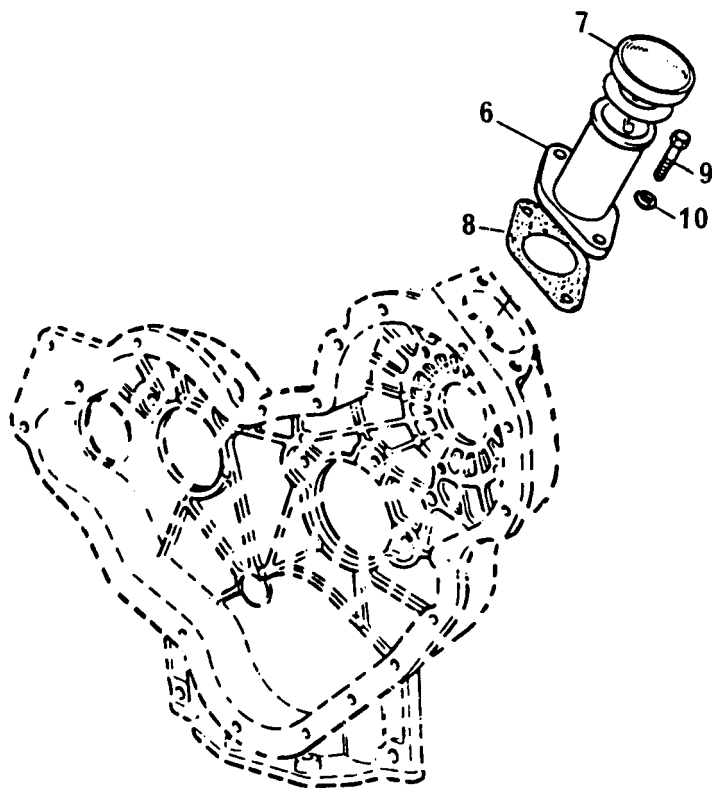
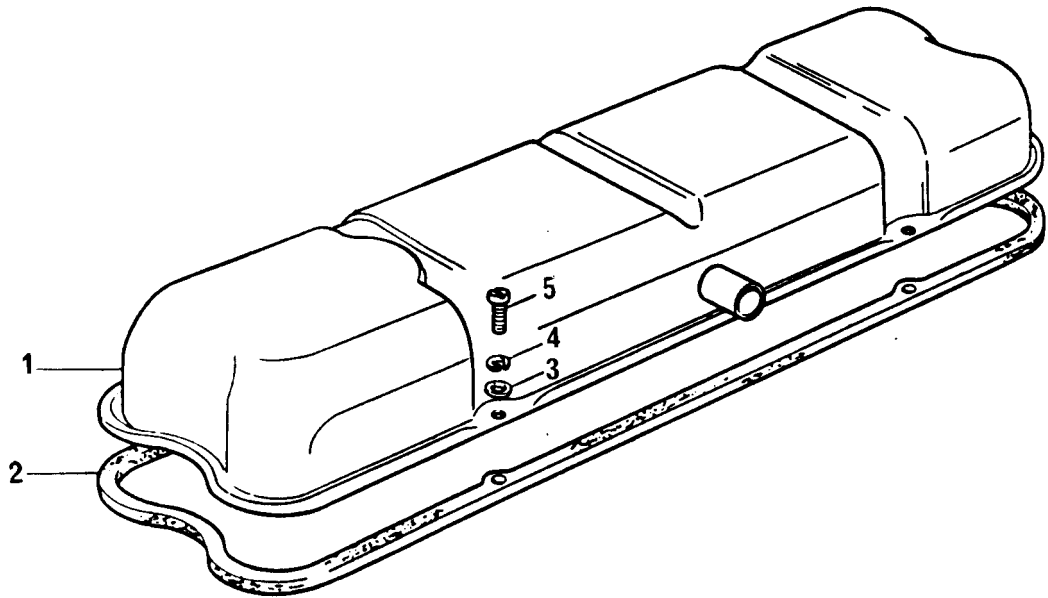
34/38

| | | | | | | |
|----|----------|--|------------|--------|----------|-----------------|
| 1 | 70991157 | | 1 TAMPA | COVER | TAPA | CACHE-CULBUTEUR |
| 2 | 70490266 | | 1 JUNTA | JOINT | JUNTA | JOINT |
| 3 | 0920002 | | 4 ARRUELA | WASHER | ARANDELA | RONDELLE |
| 4 | 0920052 | | 4 ARRUELA | WASHER | ARANDELA | RONDELLE |
| 5 | 2172513 | | 4 PARAFUSO | BOLT | TORNILLO | VIS |
| 6 | 70991630 | | 1 BOCAL | FILLER | LLENADOR | REPLISSEUR |
| 7 | 70150038 | | 1 TAMPA | COVER | TAPA | COUVERCLE |
| 8 | 70490320 |  36862138 | 1 JUNTA | JOINT | JUNTA | JOINT |
| 9 | 0746254 | | 2 PARAFUSO | BOLT | TORNILLO | VIS |
| 10 | 0920108 | | 2 ARRUELA | WASHER | ARANDELA | RONDELLE |

TAMPA DO CABEÇOTE
CYLINDER HEAD COVER
TAPA DE VÁLVULAS
CACHE-CULBUTEURS

GRUPO
GROUP
GRUPO
GROUPE


34/67



TAMPA DO CABEÇOTE
CYLINDER HEAD COVER
TAPA DE VÁLVULAS
CACHE-CULBUTEURS

GRUPO
GROUP
GRUPO
GROUPE

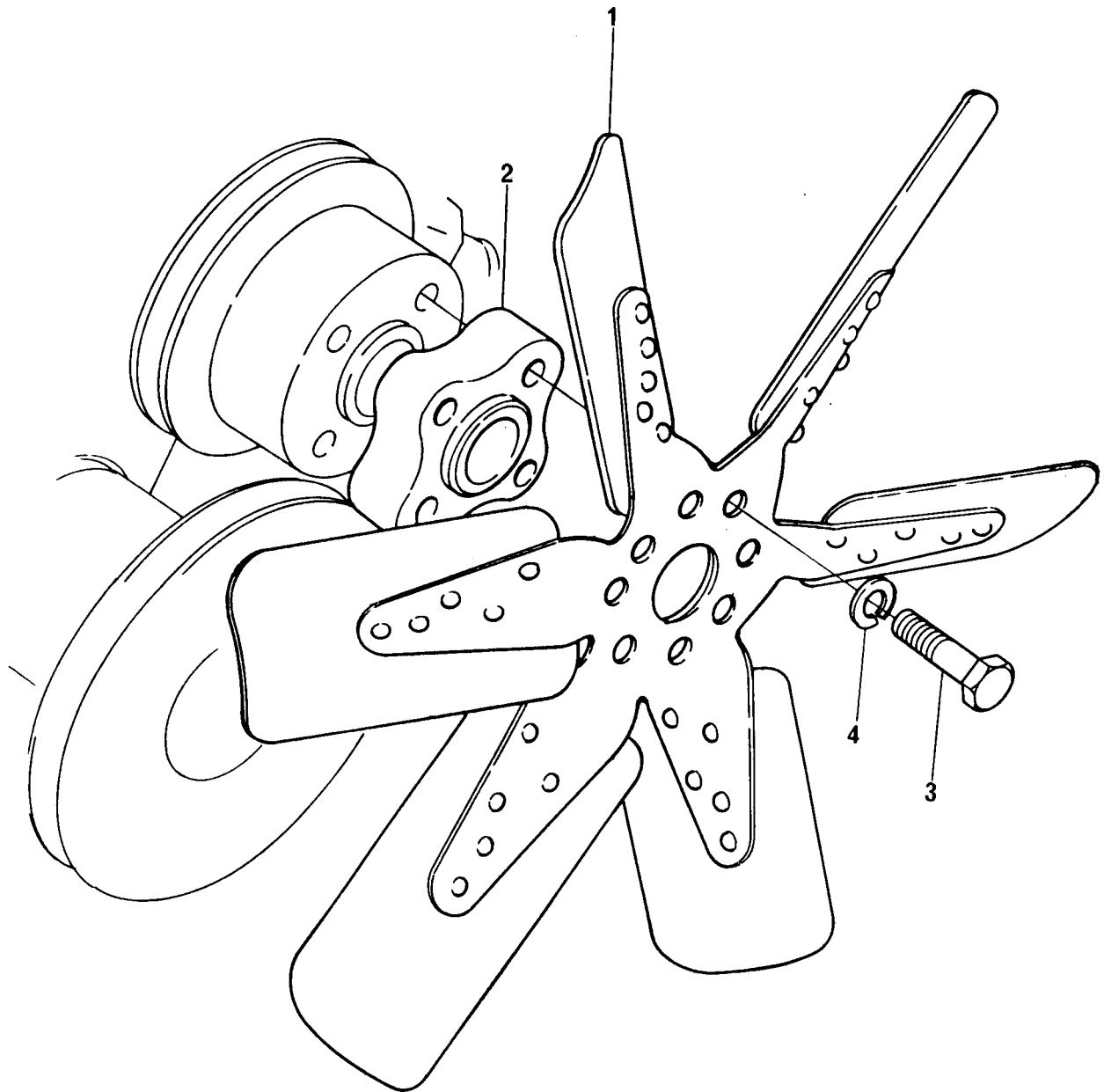
34/67

| | | | | | | |
|----|----------|--|------------|--------|----------|-----------------|
| 1 | 70991157 | | 1 TAMPA | COVER | TAPA | CACHE-CULBUTEUR |
| 2 | 3681A027 | | 1 JUNTA | JOINT | JUNTA | JOINT |
| 3 | 0920002 | | 4 ARRUELA | WASHER | ARANDELA | RONDELLE |
| 4 | 0920052 | | 4 ARRUELA | WASHER | ARANDELA | RONDELLE |
| 5 | 2172513 | | 4 PARAFUSO | BOLT | TORNILLO | VIS |
| 6 | 70991630 | | 1 BOCAL | FILLER | LLENADOR | REMP LISSEUR |
| 7 | 70150038 | | 1 TAMPA | COVER | TAPA | COUVERCLE |
| 8 | 70490320 |  36862138 | 1 JUNTA | JOINT | JUNTA | JOINT |
| 9 | 0746254 | | 2 PARAFUSO | BOLT | TORNILLO | VIS |
| 10 | 0920108 | | 2 ARRUELA | WASHER | ARANDELA | RONDELLE |

VENTILADOR E EXTENSÃO
FAN AND EXTENSION
VENTILADOR Y EXTENSIÓN
VENTILATEUR ET RALLONGE

GRUPO
GROUP
GRUPO
GROUPE

35/38



VENTILADOR E EXTENSÃO
FAN AND EXTENSION
VENTILADOR Y EXTENSIÓN
VENTILATEUR ET RALLONGE

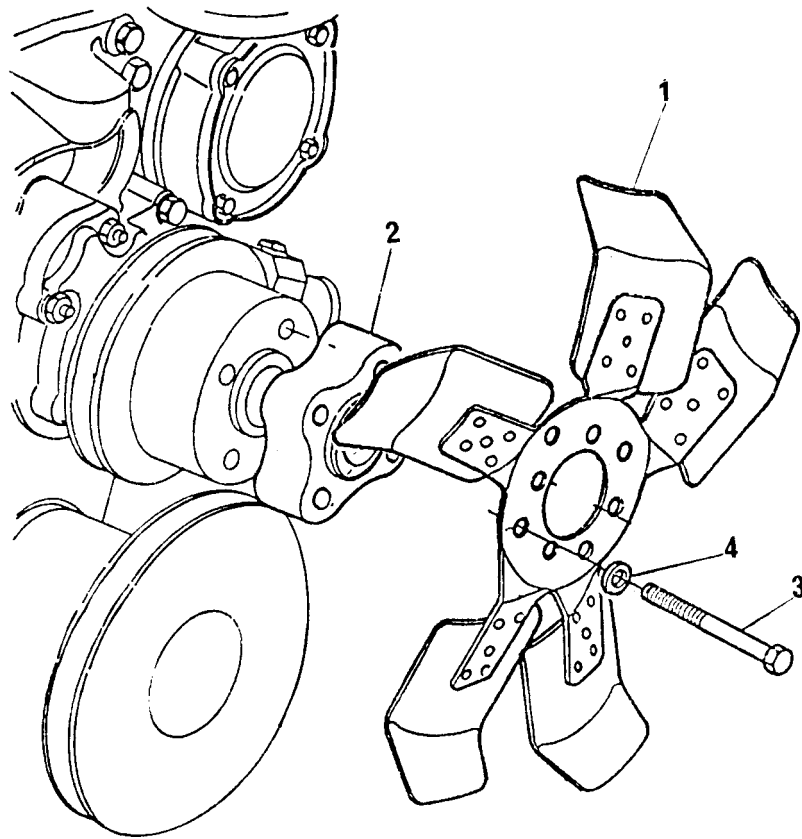
GRUPO
GROUP **35/38**
GRUPO
GROUPE

| | | | | | | | | |
|---|----------|---|-----|---|-----------------|---------|----------------|-----------------|
| 1 | 70991937 | 6 | PÁS | 1 | VENTILADOR 17 " | FAN 17" | VENTILADOR 17" | VENTILATEUR 17" |
| 2 | 0360027 | | | 1 | ESPAÇADOR | SPACER | ESPACIADOR | ENTRETOISE |
| 3 | 0096234 | | | 4 | PARAFUSO | BOLT | TORNILLO | VIS |
| 4 | 0920053 | | | 4 | ARRUELA | WASHER | ARANDELA | RONDELLE |

VENTILADOR E EXTENSÃO
FAN AND EXTENSION
VENTILADOR Y EXTENSIÓN
VENTILATEUR ET RALLONGE

GRUPO
GROUP
GRUPO
GROUPE

35/39



VENTILADOR E EXTENSÃO
FAN AND EXTENSION
VENTILADOR Y EXTENSIÓN
VENTILATEUR ET RALLONGE

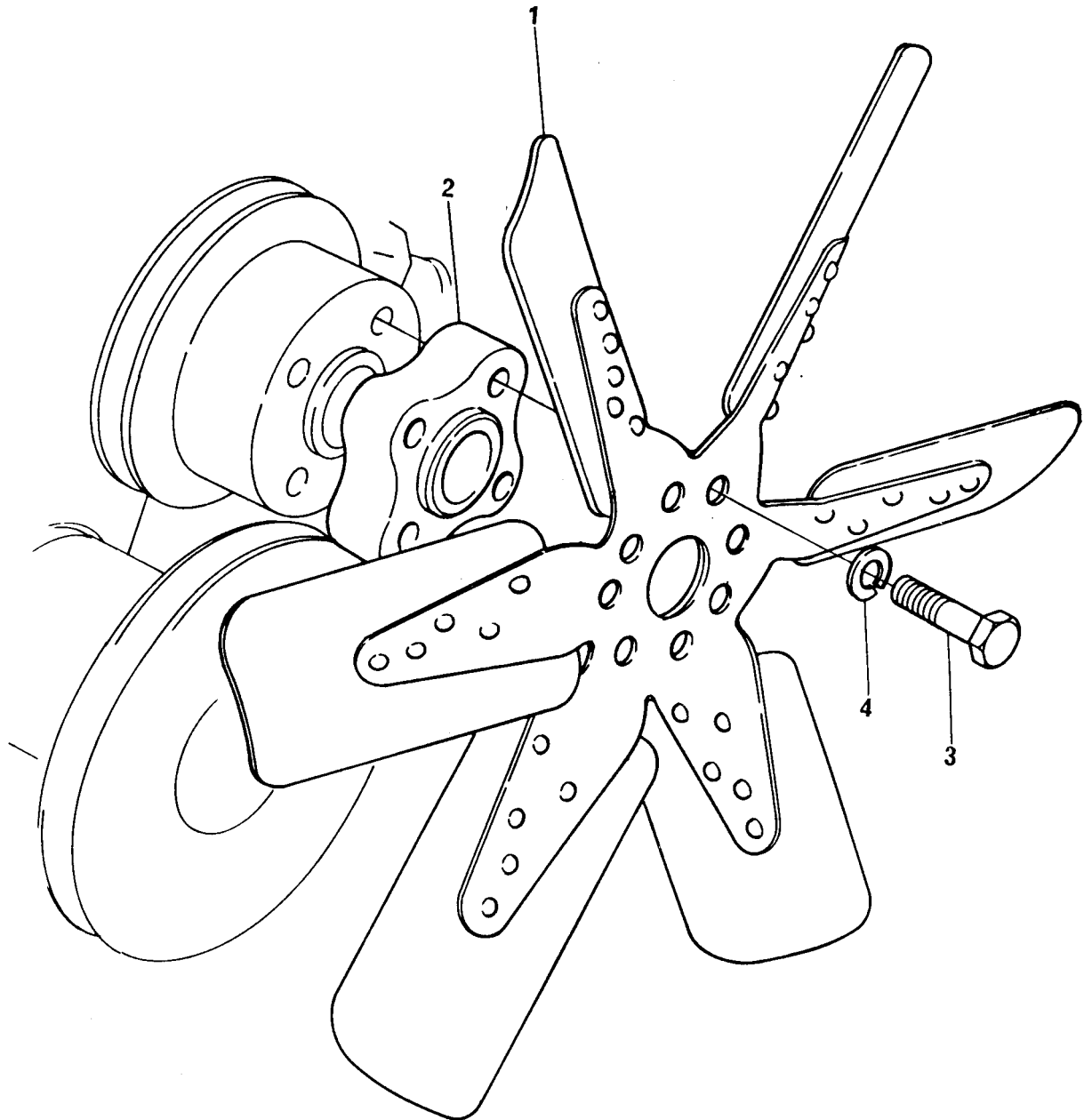
GRUPO
GROUP **35/39**
GRUPO
GROUPE

| | | | | | | |
|---|----------|-------|------------------|---------|----------------|-----------------|
| 1 | 70360014 | 5 PÁS | 1 VENTILADOR 17" | FAN 17" | VENTILADOR 17" | VENTILATEUR 17" |
| 2 | 0360027 | | 1 ESPAÇADOR | SPACER | ESPACIADOR | ENTRETOISE |
| 3 | 0096233 | | 4 PARAFUSO | BOLT | TORNILLO | VIS |
| 4 | 0920053 | | 4 ARRUELA | WASHER | ARANDELA | RONDELLE |

VENTILADOR E EXTENSÃO
FAN AND EXTENSION
VENTILADOR Y EXTENSIÓN
VENTILATEUR ET RALLONGE

GRUPO
GROUP
GRUPO
GROUPE

35/44



VENTILADOR E EXTENSÃO
FAN AND EXTENSION
VENTILADOR Y EXTENSIÓN
VENTILATEUR ET RALLONGE

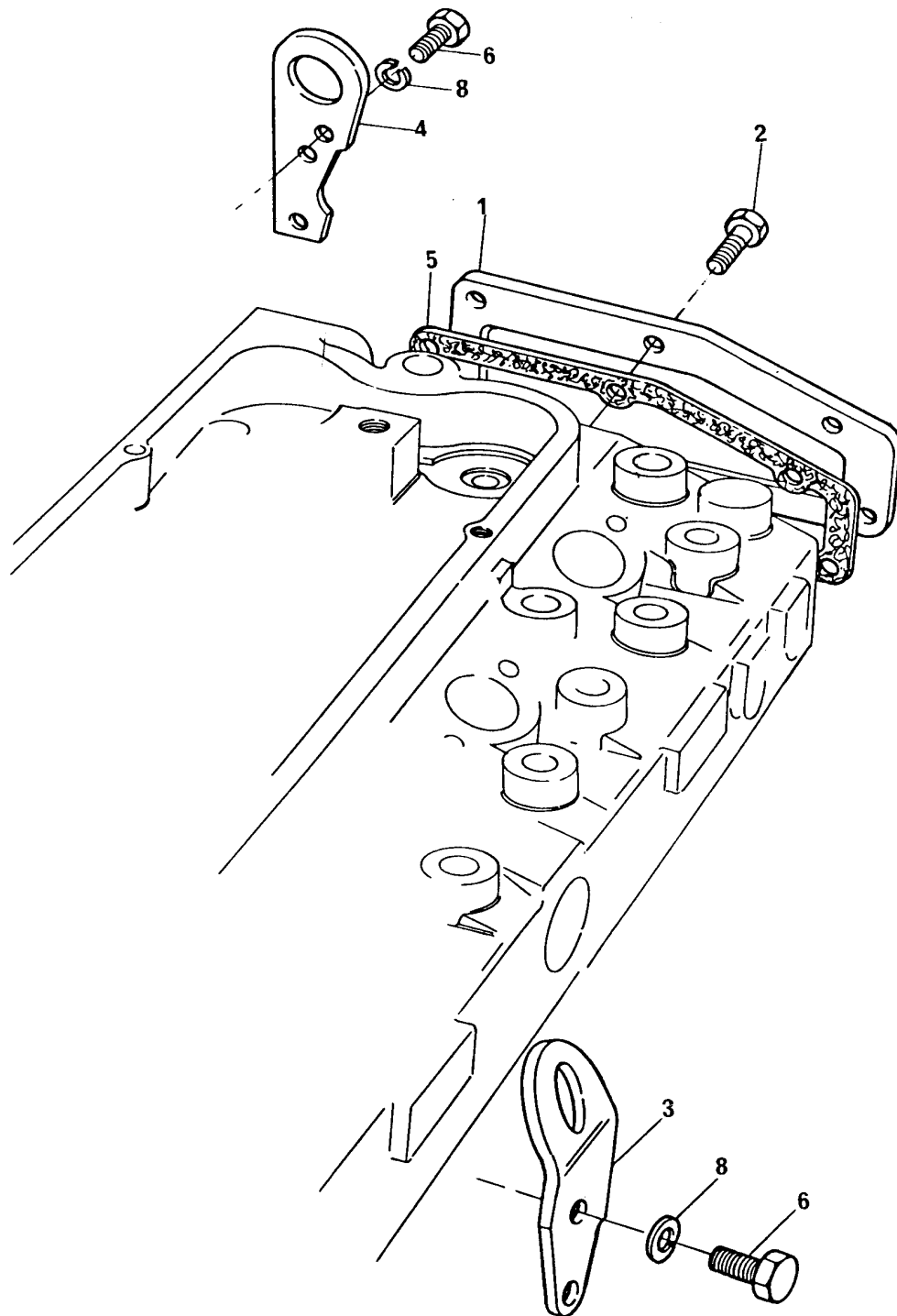
GRUPO
GROUP 35/44
GRUPO
GROUPE

| | | | | | | | | |
|---|----------|---|-----|---|-----------------|---------|----------------|-----------------|
| 1 | 70991937 | 6 | PÁS | 1 | VENTILADOR 17 " | FAN 17" | VENTILADOR 17" | VENTILATEUR 17" |
| 2 | 70330075 | | | 1 | ESPAÇADOR | SPACER | ESPACIADOR | ENTRETOISE |
| 3 | 0096236 | | | 4 | PARAFUSO | BOLT | TORNILLO | VIS |
| 4 | 0920053 | | | 4 | ARRUELA | WASHER | ARANDELA | RONDELLE |

TAMPA TRASEIRA DO CABEÇOTE
CYLINDER HEAD REAR COVER
TAPA TRASERA DE LA CULATA
CACHE-CULBUTEURS ARRIERE

GRUPO
GROUP
GRUPO
GROUPE

36/24



TAMPA TRASEIRA DO CABEÇOTE
CYLINDER HEAD REAR COVER
TAPA TRASERA DE LA CULATA
CACHE-CULBUTEURS ARRIERE

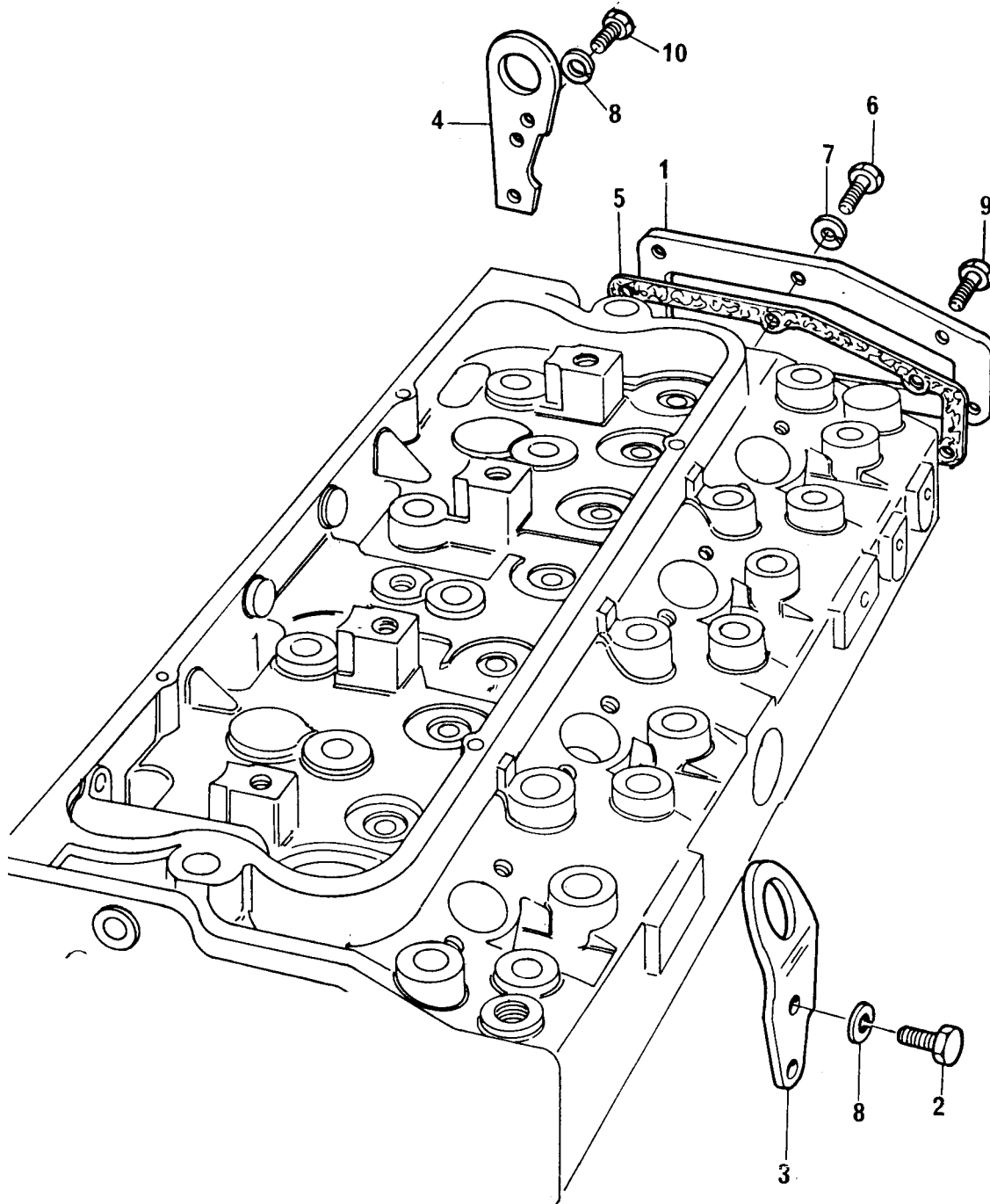
GRUPO
GROUP **36/24**
GRUPO
GROUPE

| | | | | | | | |
|---|----------|-------------|---|----------------|---------------|--------------|-----------|
| 1 | 36212152 | | 1 | TAMPA TRASEIRA | REAR COVER | TAPA TRASERA | COUVERCLE |
| 2 | 70740130 | ●○ 0746255 | 6 | PARAFUSO | BOLT | TORNILLO | VIS |
| 3 | 0940913 | | 1 | ALÇA DIANTEIRA | LIFTING PLATE | PLACA | PLAQUE |
| 4 | 36177111 | | 1 | ALÇA TRASEIRA | LIFTING PLATE | PLACA | PLAQUE |
| 5 | 70490379 | ●○ 36851409 | 1 | JUNTA | JOINT | JUNTA | JOINT |
| 6 | 0746453 | | 4 | PARAFUSO | BOLT | TORNILLO | VIS |
| 7 | 0920054 | | 4 | ARRUELA | WASHER | ARANDELA | RONDELLE |

TAMPA TRASEIRA DO CABEÇOTE
CYLINDER HEAD REAR COVER
TAPA TRASERA DE LA CULATA
CACHE-CULBUTEURS ARRIERE

GRUPO
GROUP
GRUPO
GROUPE

36/52



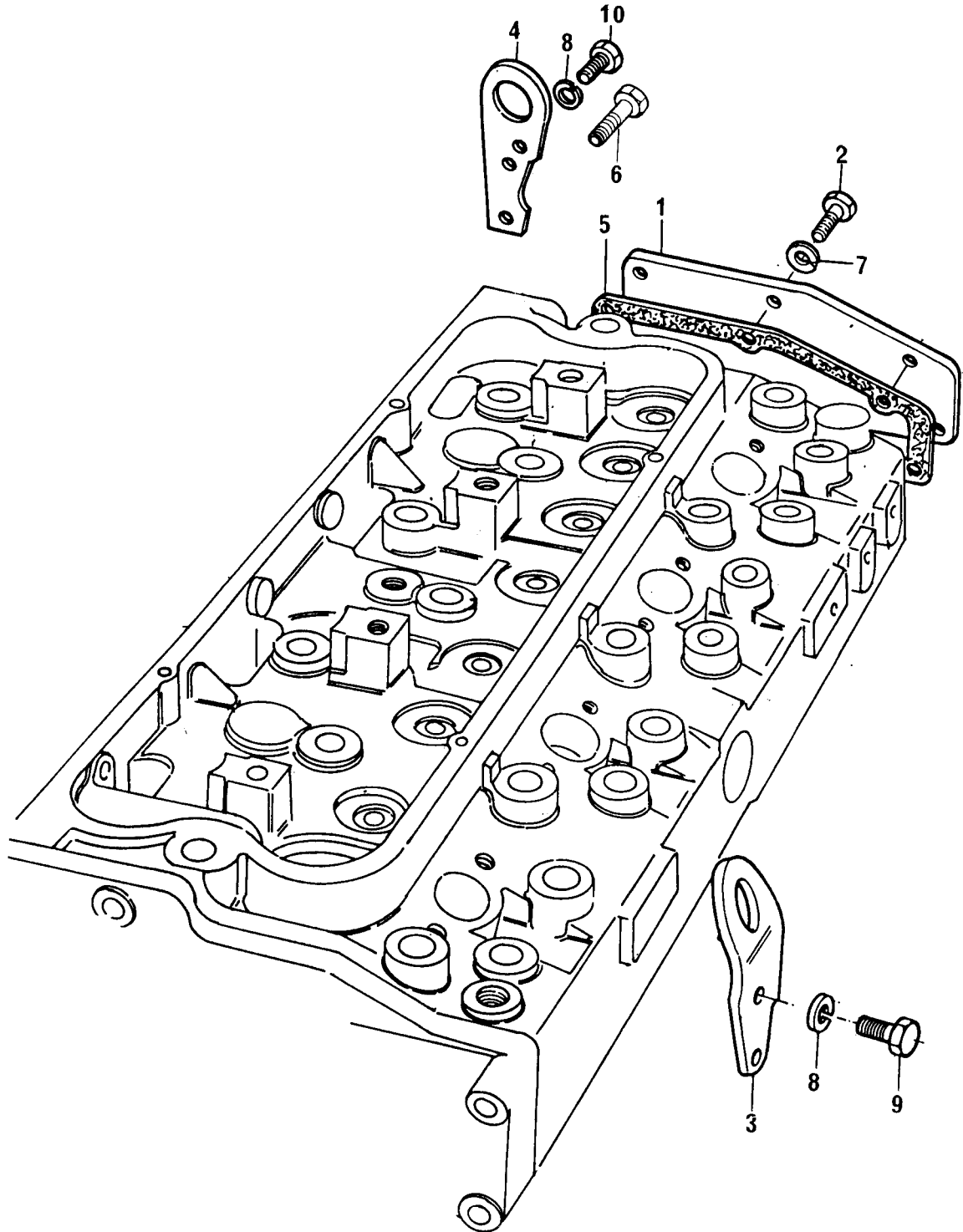
TAMPA TRASEIRA DO CABEÇOTE
CYLINDER HEAD REAR COVER
TAPA TRASERA DE LA CULATA
CACHE-CULBUTEURS ARRIERE

GRUPO
GROUP 36/52
GRUPO
GROUPE

| | | | | | | |
|----|----------|--|------------------|---------------|--------------|-----------|
| 1 | 36212152 | | 1 TAMPA TRASEIRA | REAR COVER | TAPA TRASERA | COUVERCLE |
| 2 | 0746454 | | 2 PARAFUSO | BOLT | TORNILLO | VIS |
| 3 | 70940055 | | 1 ALÇA DIANTEIRA | LIFTING PLATE | PLACA | PLAQUE |
| 4 | 36177111 | | 1 ALÇA TRASEIRA | LIFTING PLATE | PLACA | PLAQUE |
| 5 | 70490379 |  36851409 | 1 JUNTA | JOINT | JUNTA | JOINT |
| 6 | 0746255 | | 5 PARAFUSO | BOLT | TORNILLO | VIS |
| 7 | 0920053 | | 6 ARRUELA | WASHER | ARANDELA | RONDELLE |
| 8 | 0920054 | | 4 ARRUELA | WASHER | ARANDELA | RONDELLE |
| 9 | 0746211 | | 1 PARAFUSO | BOLT | TORNILLO | VIS |
| 10 | 0746453 | | 2 PARAFUSO | BOLT | TORNILLO | VIS |

TAMPA TRASEIRA DO CABEÇOTE
CYLINDER HEAD REAR COVER
TAPA TRASERA DE LA CULATA
CACHE-CULBUTEURS ARRIERE

GRUPO
GROUP 36/69
GRUPO
GRUPE



TAMPA TRASEIRA DO CABEÇOTE
CYLINDER HEAD REAR COVER
TAPA TRASERA DE LA CULATA
CACHE-CULBUTEURS ARRIERE

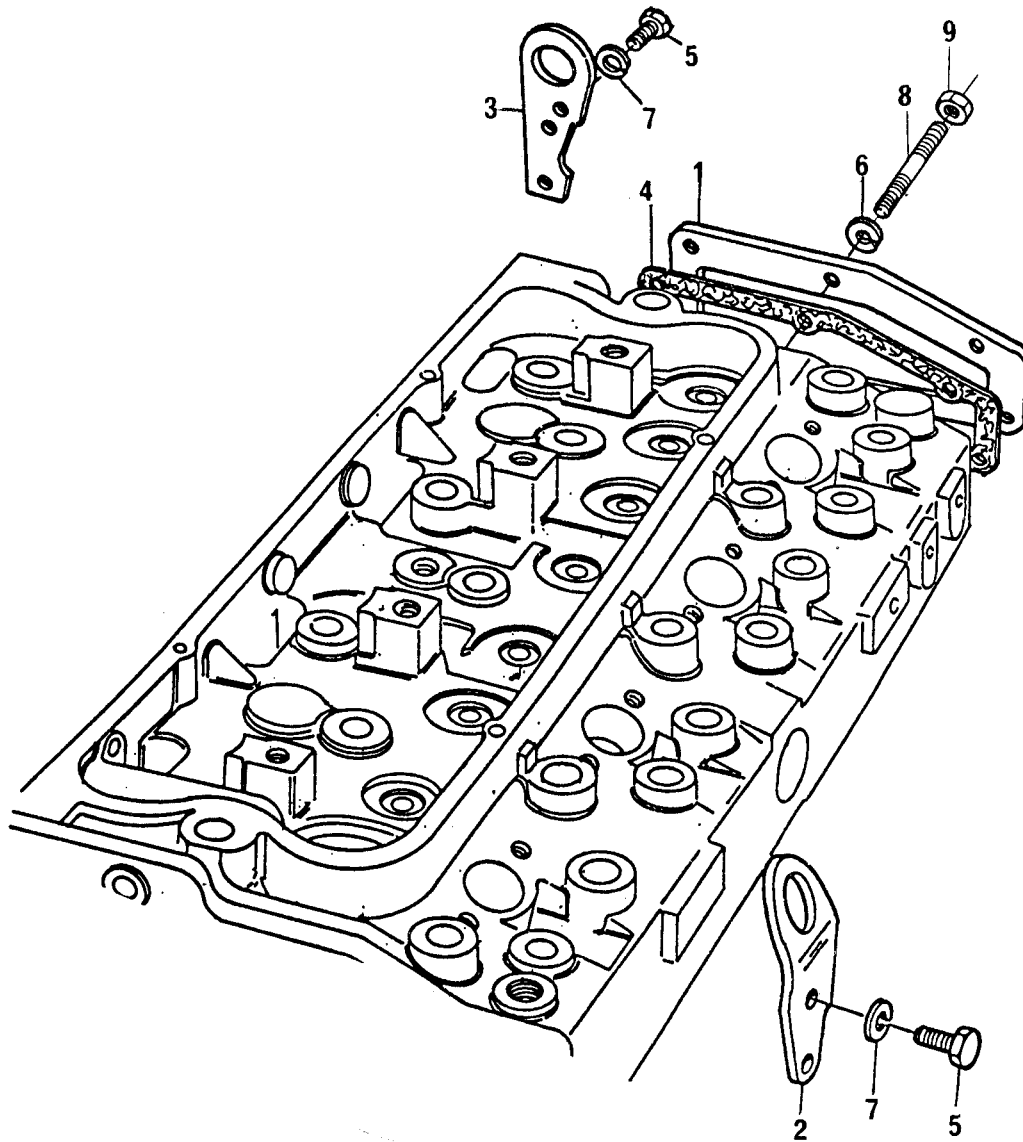
GRUPO
GROUP **36/69**
GRUPO
GROUPE

| | | | | | | | |
|----|----------|--|---|----------------|---------------|--------------|-----------|
| 1 | 36212152 | | 1 | TAMPA TRASEIRA | REAR COVER | TAPA TRASERA | COUVERCLE |
| 2 | 0746255 | | 6 | PARAFUSO | BOLT | TORNILLO | VIS |
| 3 | 70940055 | | 1 | ALÇA DIANTEIRA | LIFTING PLATE | PLACA | PLAQUE |
| 4 | 36177111 | | 1 | ALÇA TRASEIRA | LIFTING PLATE | PLACA | PLAQUE |
| 5 | 70490379 |  36851409 | 1 | JUNTA | JOINT | JUNTA | JOINT |
| 6 | 0746453 | | 1 | PARAFUSO | BOLT | TORNILLO | VIS |
| 7 | 0920053 | | 6 | ARRUELA | WASHER | ARANDELA | RONDELLE |
| 8 | 0920054 | | 4 | ARRUELA | WASHER | ARANDELA | RONDELLE |
| 9 | 0746454 | | 2 | PARAFUSO | BOLT | TORNILLO | VIS |
| 10 | 0746424 | | 1 | PARAFUSO | BOLT | TORNILLO | VIS |

TAMPA TRASEIRA DO CABEÇOTE
CYLINDER HEAD REAR COVER
TAPA TRASERA DE LA CULATA
CACHE-CULBUTEURS ARRIERE

GRUPO
GROUP
GRUPO
GROUPE

36/75



TAMPA TRASEIRA DO CABEÇOTE
 CYLINDER HEAD REAR COVER
 TAPA TRASERA DE LA CULATA
 CACHE-CULBUTEURS ARRIERE

GRUPO
 GROUP 36/75
 GRUPO
 GROUPE

| | | | | | | |
|---|----------|-------------|------------------|---------------|--------------|-----------|
| 1 | 36212152 | | 1 TAMPA TRASEIRA | REAR COVER | TAPA TRASERA | COUVERCLE |
| 2 | 0940913 | | 1 ALÇA DIANTEIRA | LIFTING PLATE | PLACA | PLAQUE |
| 3 | 36177111 | | 1 ALÇA TRASEIRA | LIFTING PLATE | PLACA | PLAQUE |
| 4 | 70490379 | | 1 JUNTA | JOINT | JUNTA | JOINT |
| 5 | 0746453 | ●○ 36851409 | 4 PARAFUSO | BOLT | TORNILLO | VIS |
| 6 | 0920053 | | 6 ARRUELA | WASHER | ARANDELA | RONDELLE |
| 7 | 0920054 | | 4 ARRUELA | WASHER | ARANDELA | RONDELLE |
| 8 | 0826243 | | 6 PRISIONEIRO | STUD | ESPÁRRAGO | GOUJON |
| 9 | 0576002 | | 6 PORCA | NUT | TUERCA | ÉCROU |

TERMOSTATO E CARÇAÇA
THERMOSTAT AND HOUSING
TERMOSTATO Y CÂRTER
THERMOSTAT ET CARTER

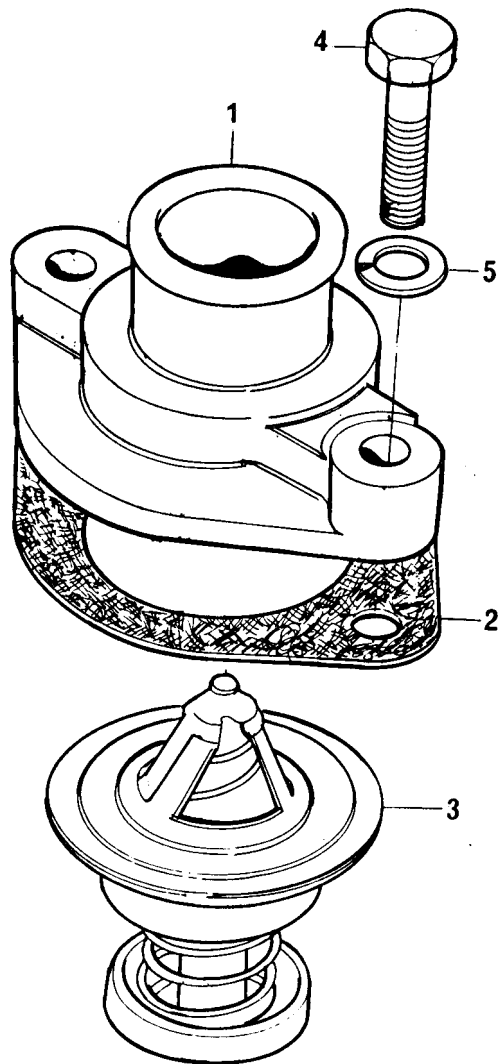
GRUPO
GROUP 37/28
GRUPO
GROUPE

| | | | | | | |
|----|----------|-------------|---------------|------------|-------------|------------|
| 1 | 70440185 | ●○ 70440170 | 1 CARÇAÇA | HOUSING | CAJA | CARTER |
| 2 | 70490408 | ●○ 36853514 | 1 JUNTA | JOINT | JUNTA | JOINT |
| 3 | 0826467 | | 1 PRISIONEIRO | STUD | ESPÁRRAGO | GOUJON |
| 4 | 0576051 | | 1 PORCA | NUT | TUERCA | ÉCROU |
| 5 | 0096434 | | 2 PARAFUSO | BOLT | TORNILLO | VIS |
| 6 | 0096439 | | 1 PARAFUSO | BOLT | TORNILLO | VIS |
| 7 | 0746255 | | 2 PARAFUSO | BOLT | TORNILLO | VIS |
| 8 | 0096238 | | 1 PARAFUSO | BOLT | TORNILLO | VIS |
| 9 | 70998003 | | 1 TERMOSTATO | THERMOSTAT | TERMOSTATO | THERMOSTAT |
| 10 | 37735651 | | 1 CONEXÃO | CONNECTION | CONEXIÓN | RACCORD |
| 11 | 70490380 | ●○ 36862151 | 1 JUNTA | JOINT | JUNTA | JOINT |
| 12 | 0096433 | | 2 PARAFUSO | BOLT | TORNILLO | VIS |
| 13 | 70650119 | | 2 BUJÃO | PLUG | TAPÓN | BOUCHON |
| 14 | 2485791 | | 1 RESPIRO | BREATHER | RESPIRADERO | RENIFLARD |
| 15 | 0920054 | | 6 ARRUELA | WASHER | ARANDELA | RONDELLE |
| 16 | 0920053 | | 3 ARRUELA | WASHER | ARANDELA | RONDELLE |

TERMOSTATO E CARÇAÇA
THERMOSTAT AND HOUSING
TERMOSTATO Y CÂRTER
THERMOSTAT ET CARTER

GRUPO
GROUP
GRUPO
GROUPE

37177



TERMOSTATO E CARÇAÇA
THERMOSTAT AND HOUSING
TERMOSTATO Y CÂRTER
THERMOSTAT ET CARTER

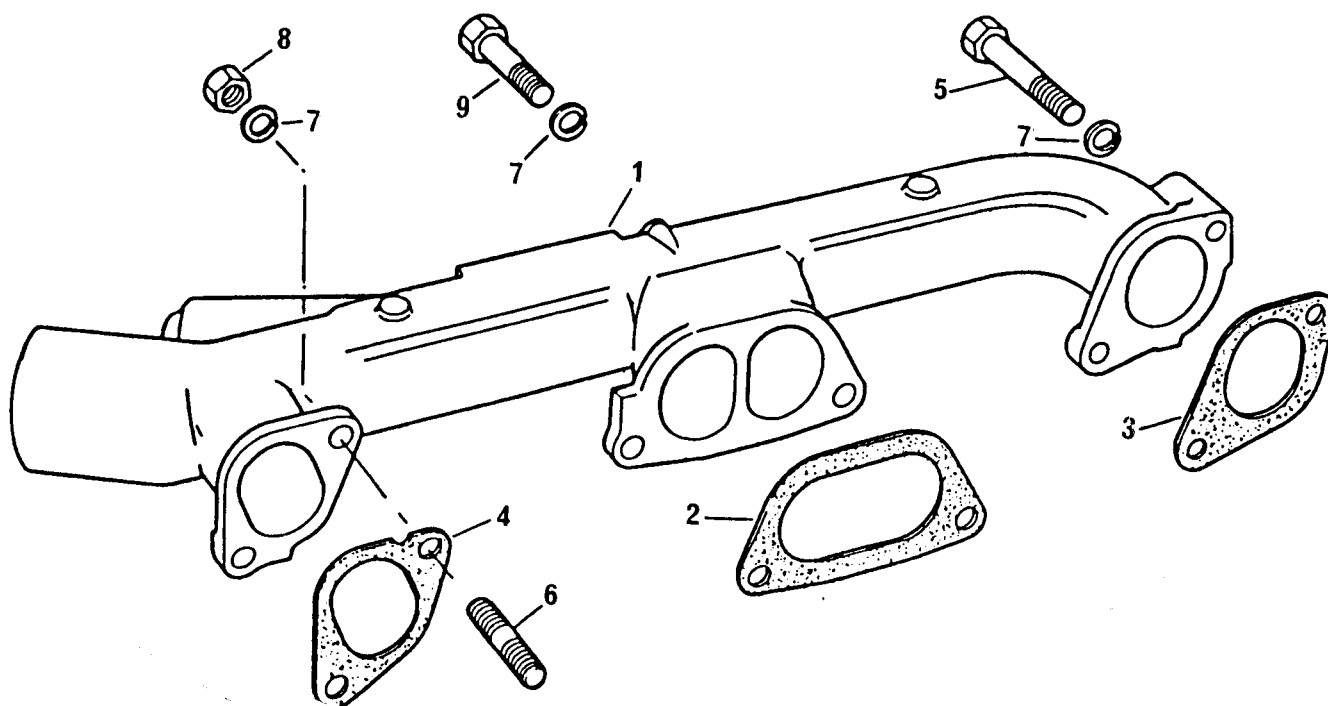
GRUPO
GROUP **37/77**
GRUPO
GROUPE

| | | | | | |
|---|----------|--------------|------------|------------|------------|
| 1 | 70200214 | 1 CONEXÃO | CONECCTION | CONEXIÓN | RACCORD |
| 2 | 36834147 | 1 JUNTA | JOINT | JUNTA | JOINT |
| 3 | 70998113 | 1 TERMOSTATO | THERMOSTAT | TERMOSTATO | THERMOSTAT |
| 4 | 0746424 | 2 PARAFUSO | BOLT | TORNILLO | VIS |
| 5 | 0920054 | 2 ARRUELA | WASHER | ARANDELA | RONDELLE |

COLETOR DE ADMISSÃO
INDUCTION MANIFOLD
MÚLTIPLE DE ADMISIÓN
COLLECTEUR D'ADMISSION

GRUPO
GROUP
GRUPO
GROUPE

38/29



COLETOR DE ADMISSÃO
INDUCTION MANIFOLD
MÚLTIPLE DE ADMISIÓN
COLLECTEUR D'ADMISSION

GRUPO
GROUP
GRUPO
GROUPE

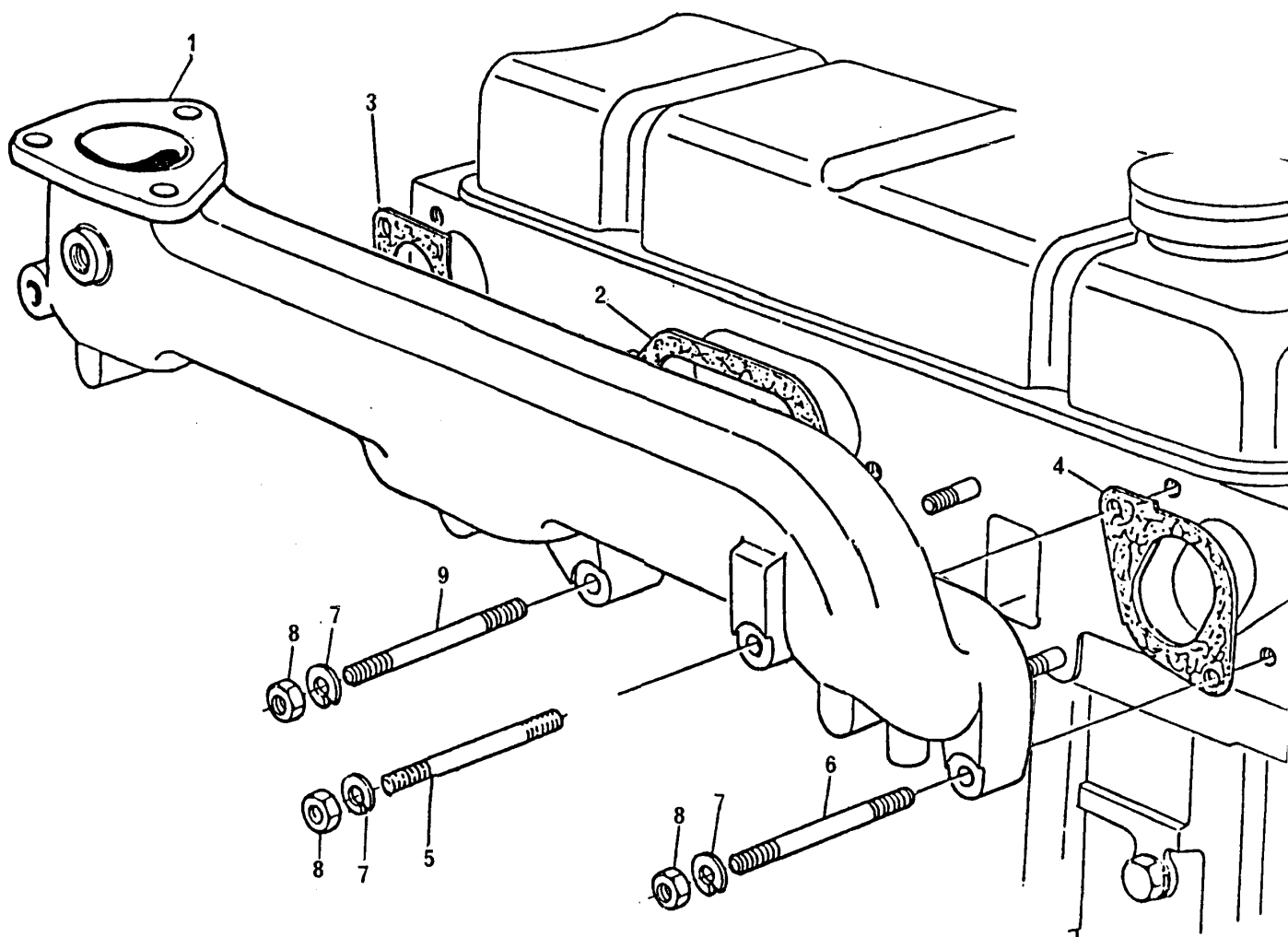
38/29

| | | | | | | | |
|---|----------|-------------|---|-------------|----------|-----------|------------|
| 1 | 70540063 | | 1 | COLETOR | MANIFOLD | MÚLTIPLE | COLLECTEUR |
| 2 | 3688C002 | ●○ 36862133 | 1 | JUNTA | JOINT | JUNTA | JOINT |
| 3 | 3688C001 | ●○ 36862131 | 1 | JUNTA | JOINT | JUNTA | JOINT |
| 4 | 3688C003 | ●○ 36866462 | 1 | JUNTA | JOINT | JUNTA | JOINT |
| 5 | 0096439 | | 1 | PARAFUSO | BOLT | TORNILLO | VIS |
| 6 | 0826422 | | 1 | PRISIONEIRO | STUD | ESPÁRRAGO | GOUJON |
| 7 | 0920054 | | 6 | ARRUELA | WASHER | ARANDELA | RONDELLE |
| 8 | 0576051 | | 1 | PORCA | NUT | TUERCA | ÉCROU |
| 9 | 0746454 | | 4 | PARAFUSO | BOLT | TORNILLO | VIS |

COLETOR DE ADMISSÃO
INDUCTION MANIFOLD
MÚLTIPLE DE ADMISIÓN
COLLECTEUR D'ADMISSION

GRUPO
GROUP
GRUPO
GROUPE

38/45



COLETOR DE ADMISSÃO
INDUCTION MANIFOLD
MÚLTIPLE DE ADMISIÓN
COLLECTEUR D'ADMISSION

GRUPO
GROUP
GRUPO
GROUPE

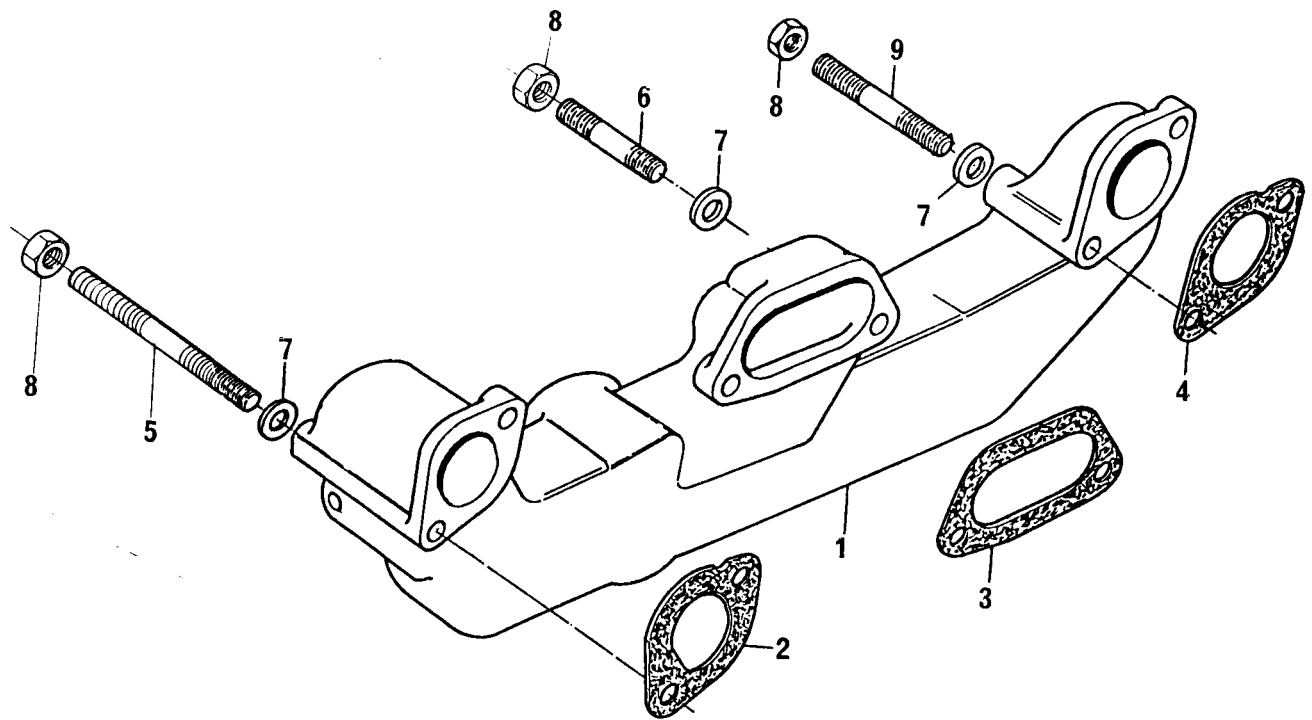
38/45

| | | | | | | | |
|---|----------|-------------|---|-------------|----------|-----------|------------|
| 1 | 37787491 | | 1 | COLETOR | MANIFOLD | MÚLTIPLE | COLLECTEUR |
| 2 | 3688C002 | ●○ 36862133 | 1 | JUNTA | JOINT | JUNTA | JOINT |
| 3 | 3688C001 | ●○ 36862131 | 1 | JUNTA | JOINT | JUNTA | JOINT |
| 4 | 3688C003 | ●○ 36866462 | 1 | JUNTA | JOINT | JUNTA | JOINT |
| 5 | 0826505 | | 2 | PRISIONEIRO | STUD | ESPÁRRAGO | GOUJON |
| 6 | 0826470 | | 2 | PRISIONEIRO | STUD | ESPÁRRAGO | GOUJON |
| 7 | 0920054 | | 6 | ARRUELA | WASHER | ARANDELA | RONDELLE |
| 8 | 0576051 | | 6 | PORCA | NUT | TUERCA | ÉCROU |
| 9 | 0826467 | | 2 | PRISIONEIRO | STUD | ESPÁRRAGO | GOUJON |

COLETOR DE ADMISSÃO
INDUCTION MANIFOLD
MÚLTIPLE DE ADMISIÓN
COLLECTEUR D'ADMISSION

GRUPO
GROUP
GRUPO
GROUPE

38/69



COLETOR DE ADMISSÃO
INDUCTION MANIFOLD
MÚLTIPLE DE ADMISIÓN
COLLECTEUR D'ADMISSION

GRUPO
GROUP
GRUPO
GROUPE

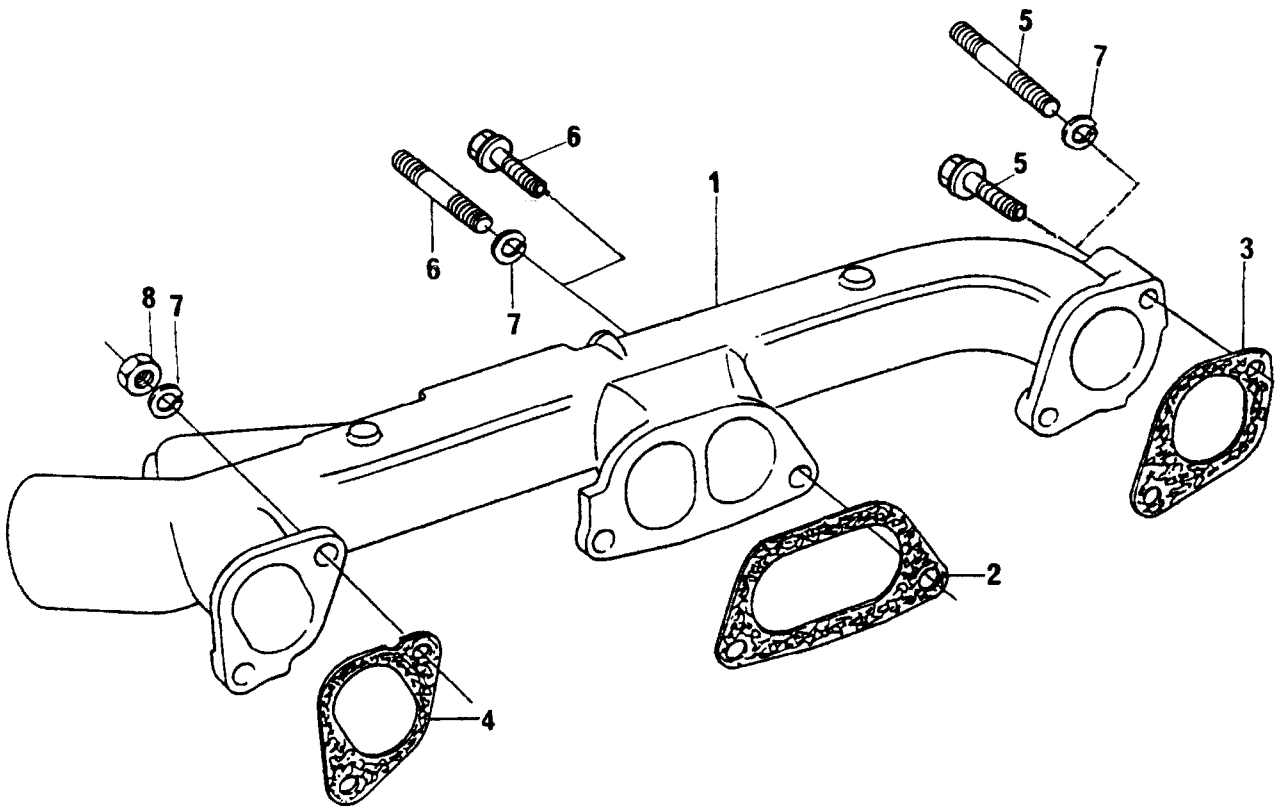
38/69

| | | | | | | |
|---|----------|---|-------------|----------|-----------|------------|
| 1 | 70540141 | 1 | COLETOR | MANIFOLD | MÚLTIPLE | COLLECTEUR |
| 2 | 3688C001 | 1 | JUNTA | JOINT | JUNTA | JOINT |
| 3 | 3688C002 | 1 | JUNTA | JOINT | JUNTA | JOINT |
| 4 | 3688C003 | 1 | JUNTA | JOINT | JUNTA | JOINT |
| 5 | 70820076 | 1 | PRISIONEIRO | STUD | ESPÁRRAGO | GOUJON |
| 6 | 0826403 | 4 | PRISIONEIRO | STUD | ESPÁRRAGO | GOUJON |
| 7 | 0920004 | 6 | ARRUELA | WASHER | ARANDELA | RONDELLE |
| 8 | 0576051 | 6 | PORCA | NUT | TUERCA | ÉCROU |
| 9 | 0826500 | 1 | PRISIONEIRO | STUD | ESPÁRRAGO | GOUJON |

COLETOR DE ADMISSÃO
INDUCTION MANIFOLD
MÚLTIPLE DE ADMISIÓN
COLLECTEUR D'ADMISSION

GRUPO
GROUP
GRUPO
GROUPE





38/77



**COLETOR DE ADMISSÃO
INDUCTION MANIFOLD
MÚLTIPLE DE ADMISIÓN
COLLECTEUR D'ADMISSION**

**GRUPO
GROUP
GRUPO
GROUPE**

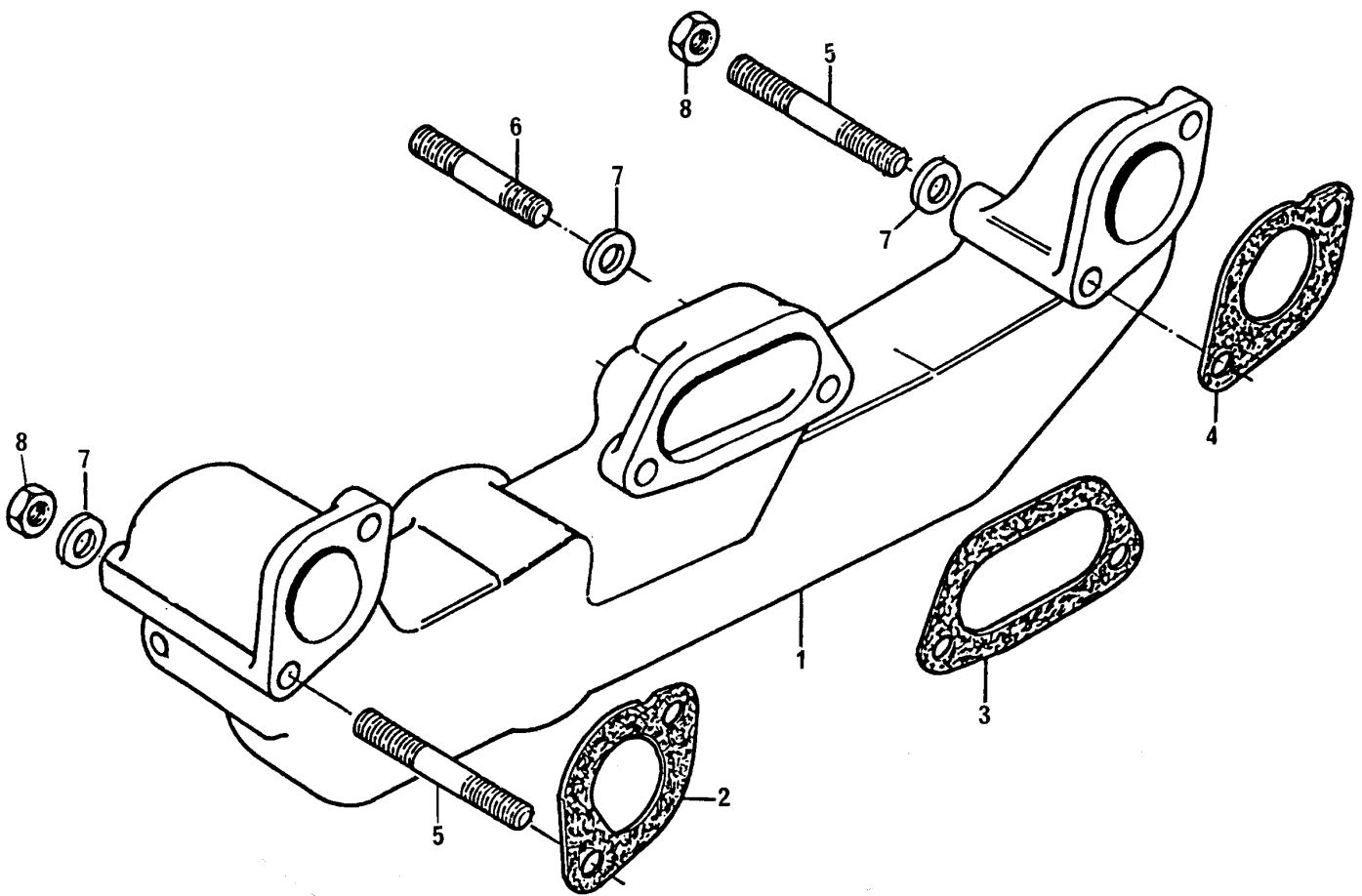
38/77

| | | | | | | | |
|---|----------|--|---|-------------|----------|-----------|------------|
| 1 | 70540063 | | 1 | COLETOR | MANIFOLD | MÚLTIPLE | COLLECTEUR |
| 2 | 3688C002 |  36862133 | 1 | JUNTA | JOINT | JUNTA | JOINT |
| 3 | 3688C001 |  36862131 | 1 | JUNTA | JOINT | JUNTA | JOINT |
| 4 | 3688C003 |  36866462 | 1 | JUNTA | JOINT | JUNTA | JOINT |
| 5 | 0826509 | | 1 | PRISIONEIRO | STUD | ESPÁRRAGO | GOUJON |
| 5 | 70740188 | | 1 | PARAFUSO | BOLT | TORNILLO | VIS |
| 6 | 0826422 |  0826403 | 1 | PRISIONEIRO | STUD | ESPÁRRAGO | GOUJON |
| 6 | 70740177 | | 4 | PARAFUSO | BOLT | TORNILLO | VIS |
| 7 | 0920054 | | 1 | ARRUELA | WASHER | ARANDELA | RONDELLE |
| 8 | 0576051 | | 2 | PORCA | NUT | TUERCA | ÉCROU |

COLETOR DE ADMISSÃO
INDUCTION MANIFOLD
MÚLTIPLE DE ADMISIÓN
COLLECTEUR D'ADMISSION

GRUPO
GROUP
GRUPO
GROUPE

38/93



**COLETOR DE ADMISSÃO
INDUCTION MANIFOLD
MÚLTIPLE DE ADMISIÓN
COLLECTEUR D'ADMISSION**

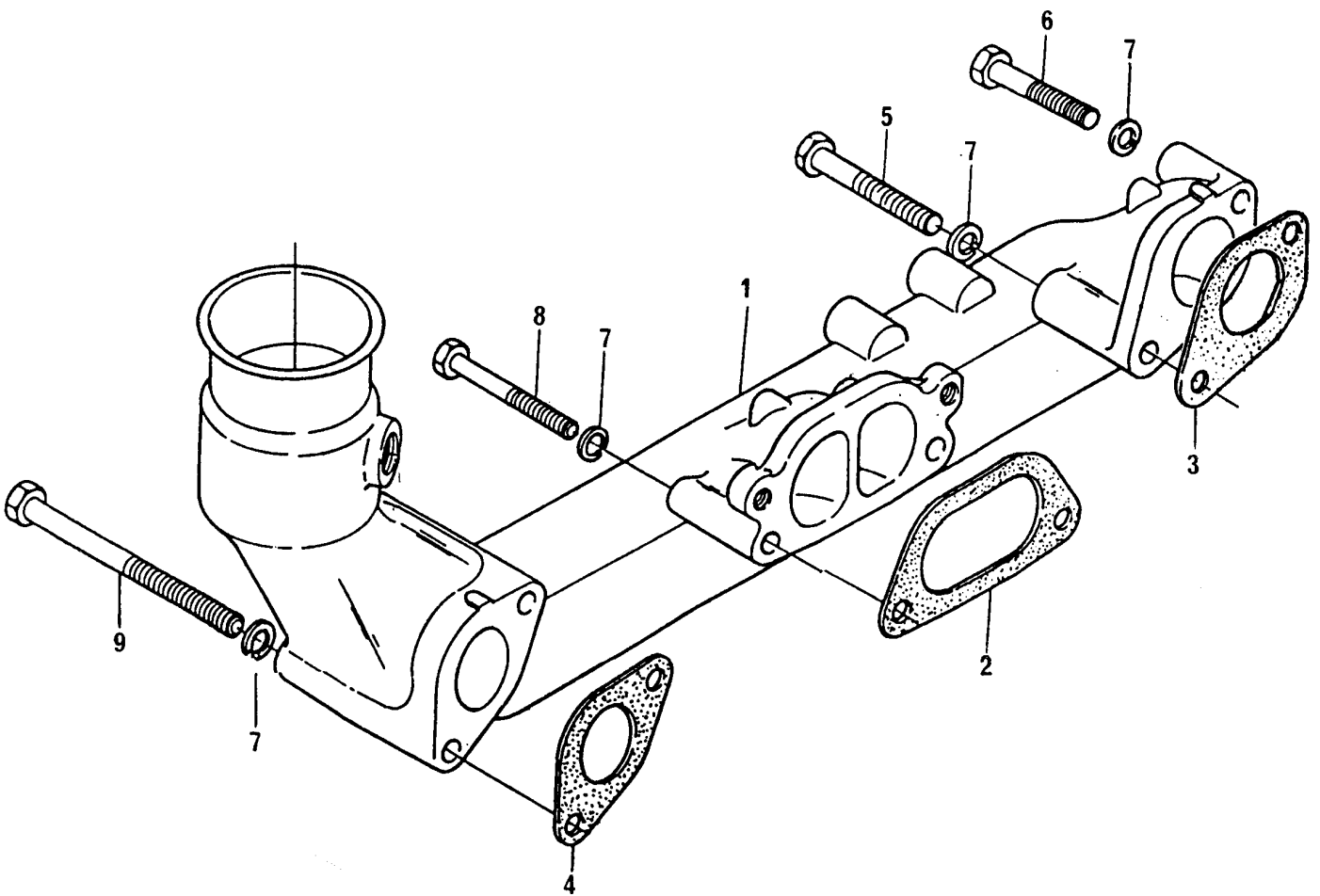
**GRUPO
GROUP
GRUPO
GROUPE** **38/93**

| | | | | | | |
|---|----------|---|-------------|----------|-----------|------------|
| 1 | 70540141 | 1 | COLETOR | MANIFOLD | MÚLTIPLE | COLLECTEUR |
| 2 | 3688C001 | 1 | JUNTA | JOINT | JUNTA | JOINT |
| 3 | 3688C002 | 1 | JUNTA | JOINT | JUNTA | JOINT |
| 4 | 3688C003 | 1 | JUNTA | JOINT | JUNTA | JOINT |
| 5 | 70820078 | 2 | PRISIONEIRO | STUD | ESPÁRRAGO | GOUJON |
| 6 | 0826403 | 4 | PRISIONEIRO | STUD | ESPÁRRAGO | GOUJON |
| 7 | 0920004 | 6 | ARRUELA | WASHER | ARANDELA | RONDELLE |
| 8 | 0576051 | 6 | PORCA | NUT | TUERCA | ÉCROU |

COLETOR DE ADMISSÃO
INDUCTION MANIFOLD
MÚLTIPLE DE ADMISIÓN
COLLECTEUR D'ADMISSION

GRUPO
GROUP
GRUPO
GROUPE

38/101



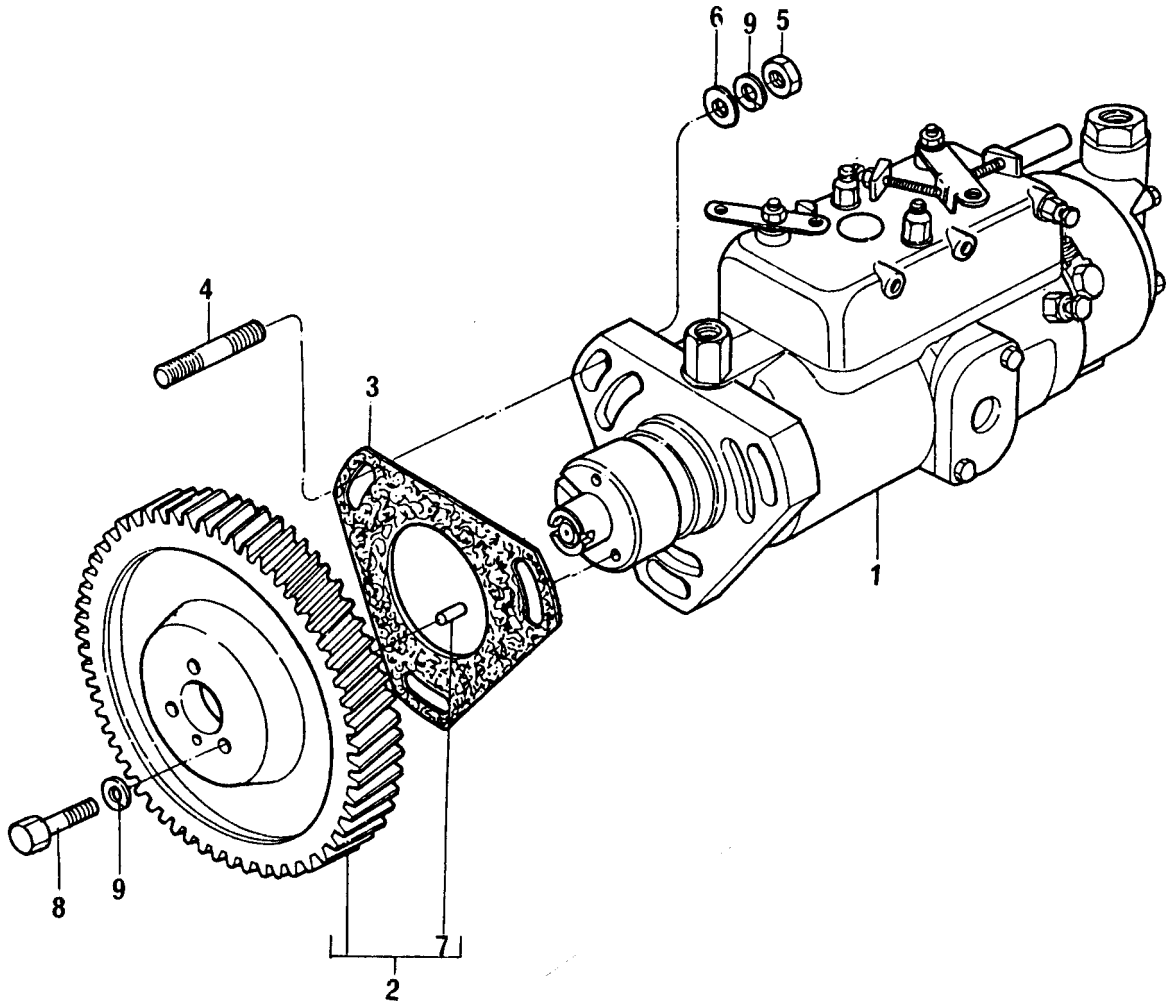
COLETOR DE ADMISSÃO
INDUCTION MANIFOLD
MÚLTIPLE DE ADMISIÓN
COLLECTEUR D'ADMISSION

GRUPO
GROUP 38/101
GRUPO
GROUPE

| | | | | | | | |
|---|----------|-------------|---|----------|----------|----------|------------|
| 1 | 3777E161 | | 1 | COLETOR | MANIFOLD | MÚLTIPLE | COLLECTEUR |
| 2 | 3688C002 | ●○ 36862133 | 1 | JUNTA | JOINT | JUNTA | JOINT |
| 3 | 3688C001 | ●○ 36862131 | 1 | JUNTA | JOINT | JUNTA | JOINT |
| 4 | 3688C003 | ●○ 36866462 | 1 | JUNTA | JOINT | JUNTA | JOINT |
| 5 | 0096438 | | 1 | PARAFUSO | BOLT | TORNILLO | VIS |
| 6 | 0096441 | | 1 | PARAFUSO | BOLT | TORNILLO | VIS |
| 7 | 33115117 | | 6 | ARRUELA | WASHER | ARANDELA | RONDELLE |
| 8 | 0096440 | | 2 | PARAFUSO | BOLT | TORNILLO | VIS |
| 9 | 0096446 | | 2 | PARAFUSO | BOLT | TORNILLO | VIS |

BOMBA INJETORA DE COMBUSTÍVEL
FUEL INJECTION PUMP
BOMBA DE INYECCIÓN DE COMBUSTIBLE
POMPE D'INJECTION DE COMBUSTIBLE

GRUPO
GROUP 39/75
GRUPO
GROUPE



BOMBA INJETORA DE COMBUSTÍVEL
FUEL INJECTION PUMP
BOMBA DE INYECCIÓN DE COMBUSTIBLE
POMPE D'INJECTION DE COMBUSTIBLE

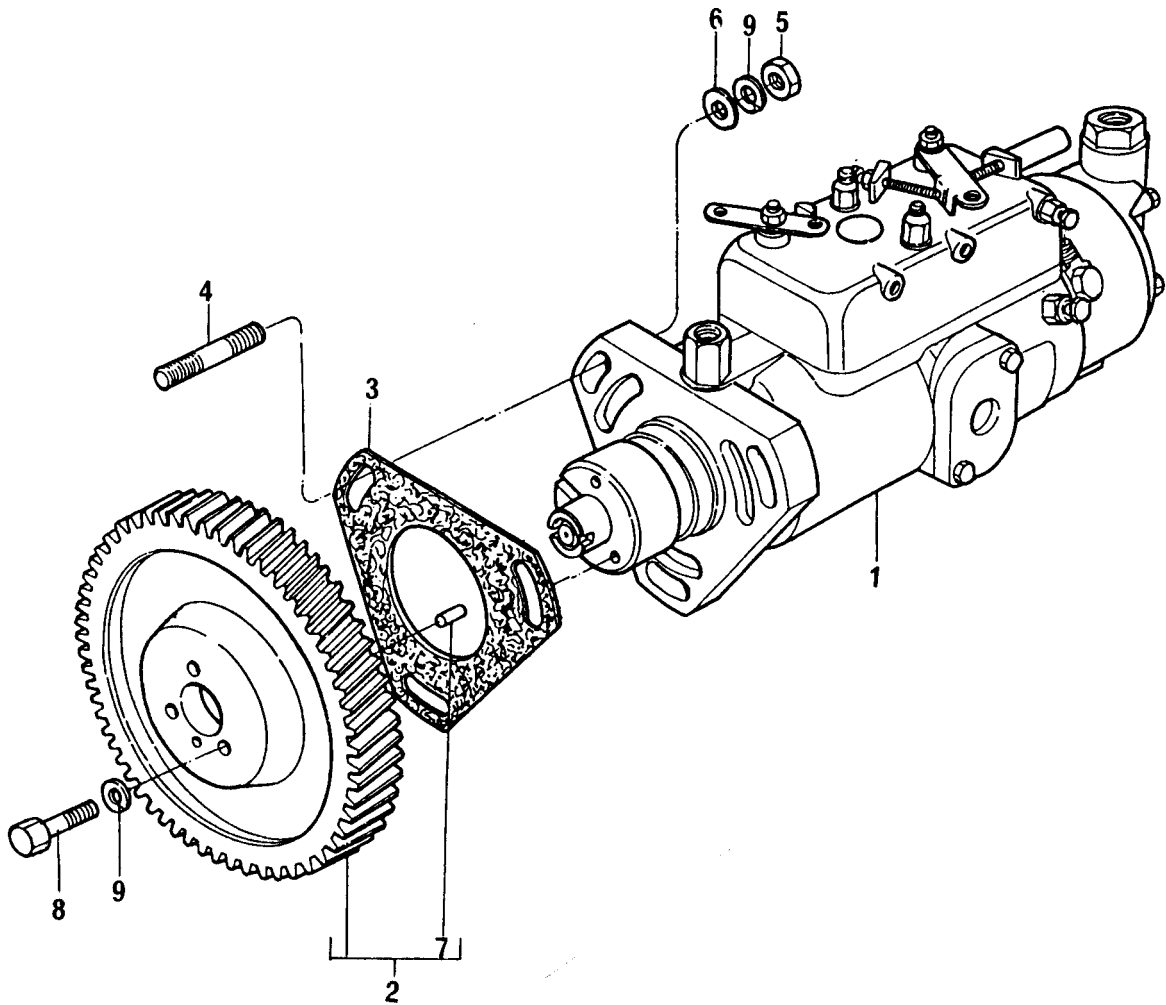
GRUPO
GROUP **39/75**
GRUPO
GROUPE

| | | | | | | |
|---|----------|-------------|---------------|--------|-----------|----------|
| 1 | 77251 | | 1 BOMBA | PUMP | BOMBA | POMPE |
| 2 | 41115126 | | 1 ENGRENAGEM | GEAR | ENGRANAJE | PIGNON |
| 3 | 70490403 | ●○ 70490063 | 1 JUNTA | JOINT | JUNTA | JOINT |
| 4 | 2215574 | | 3 PRISIONEIRO | STUD | ESPÁRRAGO | GOUJON |
| 5 | 70570073 | ●○ 0576002 | 3 PORCA | NUT | TUERCA | ÉCROU |
| 6 | 33114412 | ●○ 0920003 | 3 ARRUELA | WASHER | ARANDELA | RONDELLE |
| 7 | 0350010 | 2 | 1 PINO GUIA | DOWEL | ESPIGA | PION |
| 8 | 0746254 | | 3 PARAFUSO | BOLT | TORNILLO | VIS |
| 9 | 0920053 | | 6 ARRUELA | WASHER | ARANDELA | RONDELLE |

BOMBA INJETORA DE COMBUSTÍVEL
FUEL INJECTION PUMP
BOMBA DE INYECCIÓN DE COMBUSTIBLE
POMPE D'INJECTION DE COMBUSTIBLE




GRUPO
GROUP
GRUPO
GROUPE

39/78



BOMBA INJETORA DE COMBUSTÍVEL
FUEL INJECTION PUMP
BOMBA DE INYECCIÓN DE COMBUSTIBLE
POMPE D'INJECTION DE COMBUSTIBLE

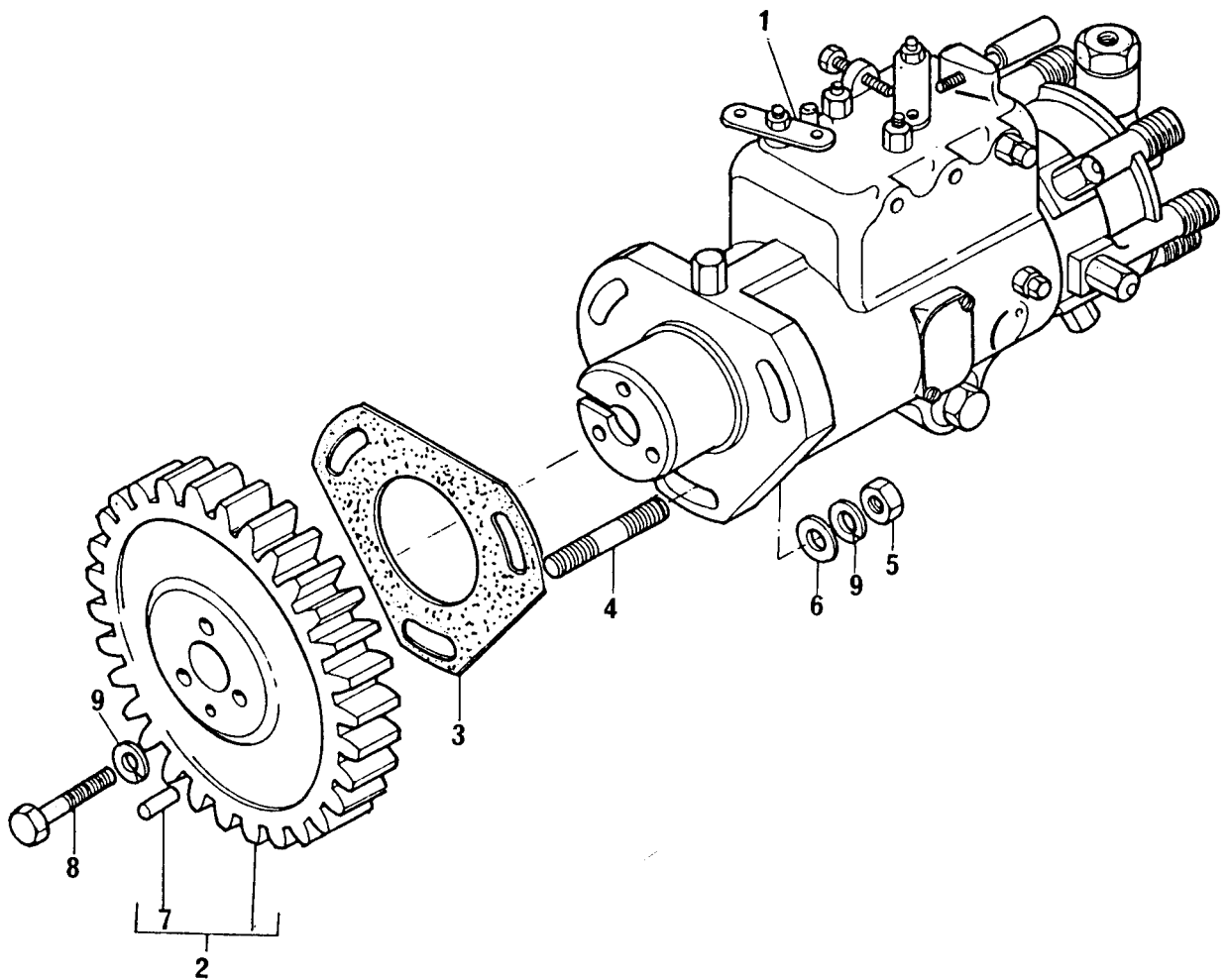
GRUPO
GROUP 39/78
GRUPO
GROUPE

| | | | | | | |
|---|----------|--|---------------|--------|-----------|----------|
| 1 | 38367 | | 1 BOMBA | PUMP | BOMBA | POMPE |
| 2 | 41115126 | | 1 ENGRENAGEM | GEAR | ENGRANAJE | PIGNON |
| 3 | 70490403 |  70490063 | 1 JUNTA | JOINT | JUNTA | JOINT |
| 4 | 2215574 | | 3 PRISIONEIRO | STUD | ESPÁRRAGO | GOUJON |
| 5 | 70570073 |  0576002 | 3 PORCA | NUT | TUERCA | ÉCROU |
| 6 | 33114412 |  0920003 | 3 ARRUELA | WASHER | ARANDELA | RONDELLE |
| 7 | 0350010 | 2 | 1 PINO GUIA | DOWEL | ESPIGA | PION |
| 8 | 0746254 | | 3 PARAFUSO | BOLT | TORNILLO | VIS |
| 9 | 0920053 | | 6 ARRUELA | WASHER | ARANDELA | RONDELLE |

BOMBA INJETORA DE COMBUSTÍVEL
FUEL INJECTION PUMP
BOMBA DE INYECCIÓN DE COMBUSTIBLE
POMPE D'INJECTION DE COMBUSTIBLE




GRUPO
GROUP
GRUPO
GROUPE

39/132



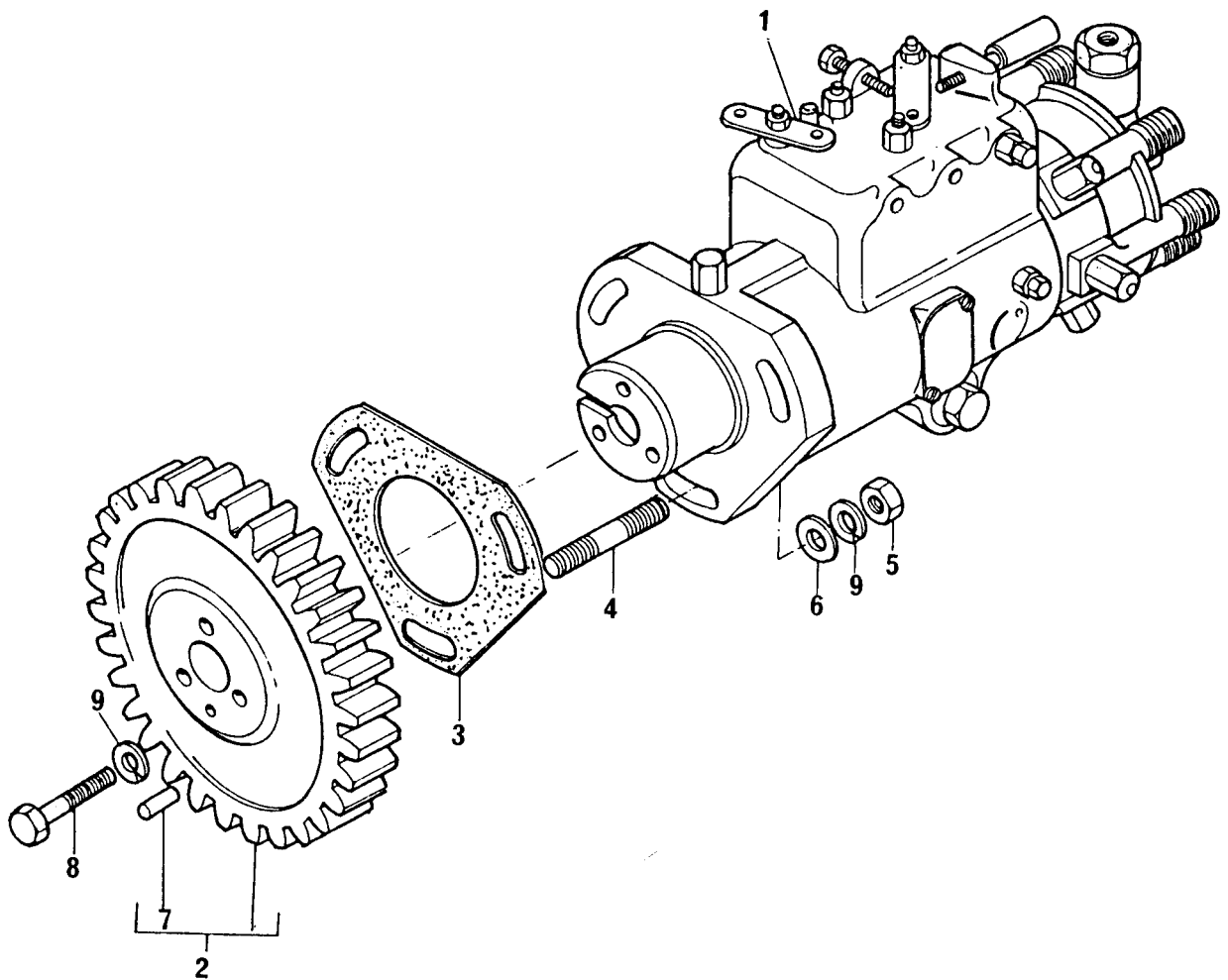
BOMBA INJETORA DE COMBUSTÍVEL
FUEL INJECTION PUMP
BOMBA DE INYECCIÓN DE COMBUSTIBLE
POMPE D'INJECTION DE COMBUSTIBLE

GRUPO
GROUP **39/132**
GRUPO
GROUPE

| | | | | | | |
|---|----------|--|---------------|--------|-----------|----------|
| 1 | 77246 | | 1 BOMBA | PUMP | BOMBA | POMPE |
| 2 | 41115126 | | 1 ENGRENAGEM | GEAR | ENGRANAJE | PIGNON |
| 3 | 70490403 |  70490063 | 1 JUNTA | JOINT | JUNTA | JOINT |
| 4 | 2215574 | | 3 PRISIONEIRO | STUD | ESPÁRRAGO | GOUJON |
| 5 | 70570073 |  0576002 | 3 PORCA | NUT | TUERCA | ÉCROU |
| 6 | 33114412 |  0920003 | 3 ARRUELA | WASHER | ARANDELA | RONDELLE |
| 7 | 0350010 | 2 | 1 PINO GUIA | DOWEL | ESPIGA | PION |
| 8 | 0746254 | | 3 PARAFUSO | BOLT | TORNILLO | VIS |
| 9 | 0920053 | | 6 ARRUELA | WASHER | ARANDELA | RONDELLE |




BOMBA INJETORA DE COMBUSTÍVEL
FUEL INJECTION PUMP
BOMBA DE INYECCIÓN DE COMBUSTIBLE
POMPE D'INJECTION DE COMBUSTIBLE

GRUPO
GROUP 39/133
GRUPO
GROUPE



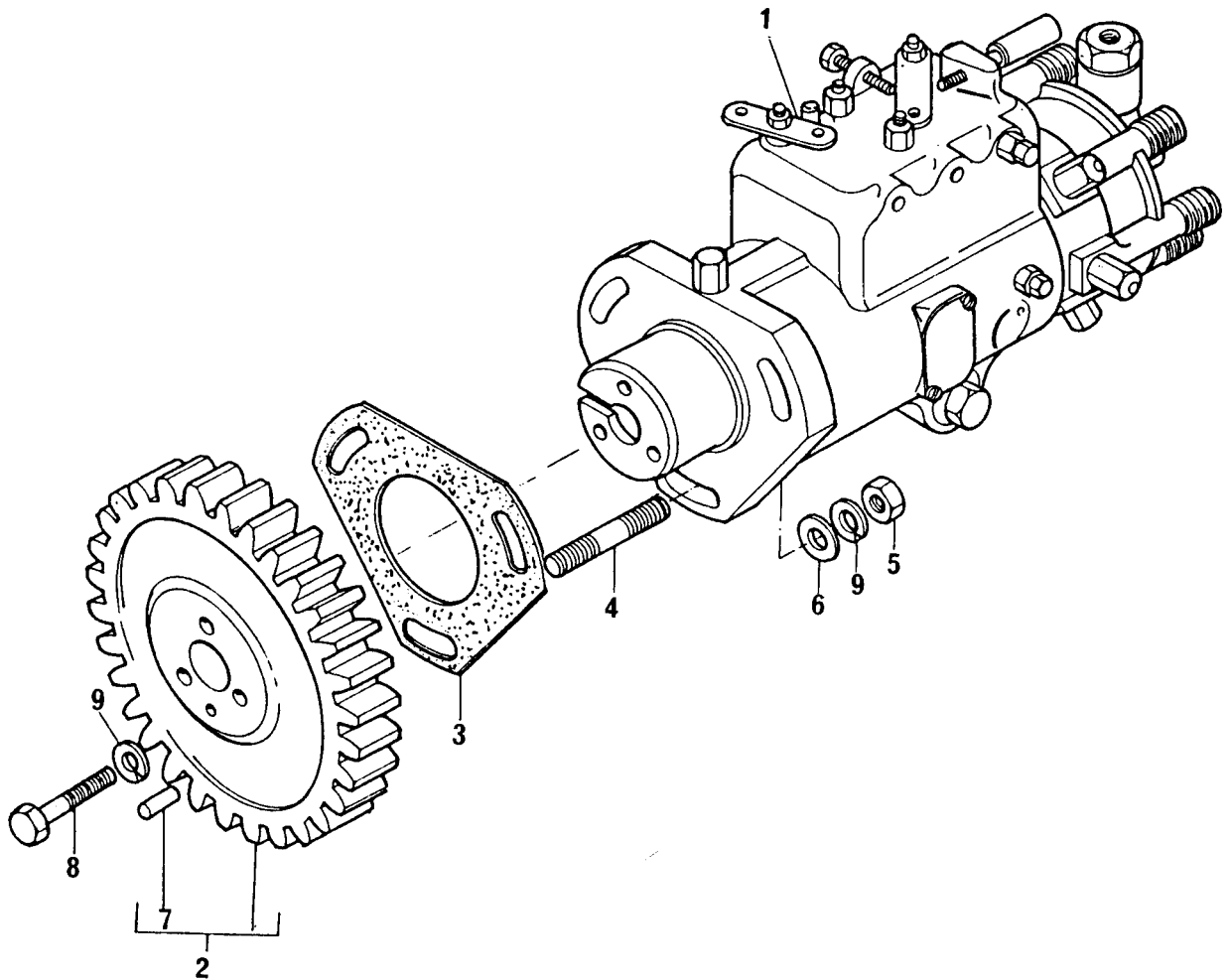
BOMBA INJETORA DE COMBUSTÍVEL
FUEL INJECTION PUMP
BOMBA DE INYECCIÓN DE COMBUSTIBLE
POMPE D'INJECTION DE COMBUSTIBLE

GRUPO
GROUP **39/133**
GRUPO
GROUPE

| | | | | | | |
|---|----------|--|---------------|--------|-----------|----------|
| 1 | 77250 | | 1 BOMBA | PUMP | BOMBA | POMPE |
| 2 | 41115126 | | 1 ENGRENAGEM | GEAR | ENGRANAJE | PIGNON |
| 3 | 70490403 |  70490063 | 1 JUNTA | JOINT | JUNTA | JOINT |
| 4 | 2215574 | | 3 PRISIONEIRO | STUD | ESPÁRRAGO | GOUJON |
| 5 | 70570073 |  0576002 | 3 PORCA | NUT | TUERCA | ÉCROU |
| 6 | 33114412 |  0920003 | 3 ARRUELA | WASHER | ARANDELA | RONDELLE |
| 7 | 0350010 | 2 | 1 PINO GUIA | DOWEL | ESPIGA | PION |
| 8 | 0746254 | | 3 PARAFUSO | BOLT | TORNILLO | VIS |
| 9 | 0920053 | | 6 ARRUELA | WASHER | ARANDELA | RONDELLE |




BOMBA INJETORA DE COMBUSTÍVEL
FUEL INJECTION PUMP
BOMBA DE INYECCIÓN DE COMBUSTIBLE
POMPE D'INJECTION DE COMBUSTIBLE

GRUPO
GROUP 39/142
GRUPO
GROUPE



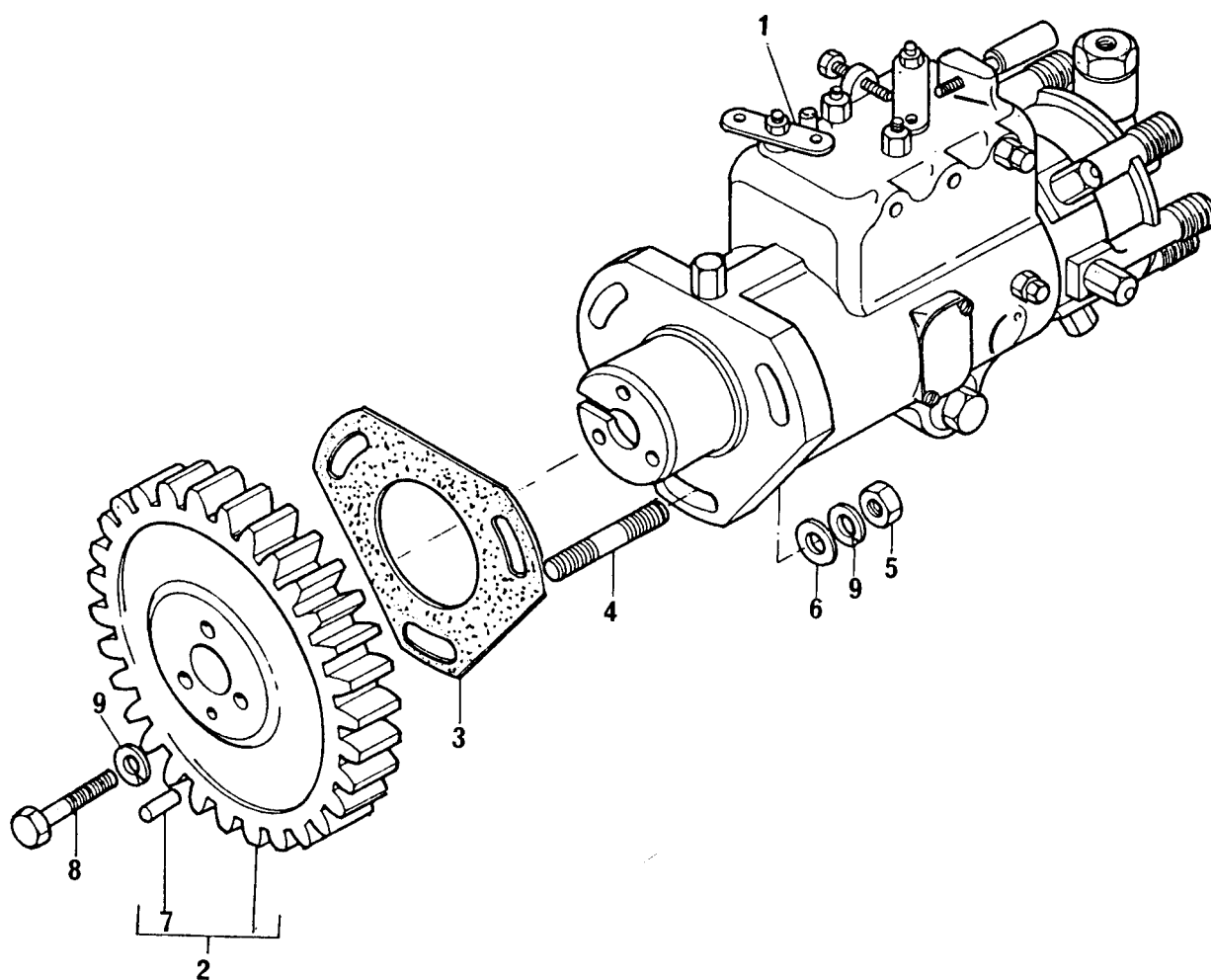
BOMBA INJETORA DE COMBUSTÍVEL
FUEL INJECTION PUMP
BOMBA DE INYECCIÓN DE COMBUSTIBLE
POMPE D'INJECTION DE COMBUSTIBLE

GRUPO
GROUP **39/142**
GRUPO
GROUPE

| | | | | | | |
|---|----------|--|---------------|--------|-----------|----------|
| 1 | 77272 | | 1 BOMBA | PUMP | BOMBA | POMPE |
| 2 | 41115126 | | 1 ENGRENAGEM | GEAR | ENGRANAJE | PIGNON |
| 3 | 70490403 |  70490063 | 1 JUNTA | JOINT | JUNTA | JOINT |
| 4 | 2215574 | | 3 PRISIONEIRO | STUD | ESPÁRRAGO | GOUJON |
| 5 | 70570073 |  0576002 | 3 PORCA | NUT | TUERCA | ÉCROU |
| 6 | 33114412 |  0920003 | 3 ARRUELA | WASHER | ARANDELA | RONDELLE |
| 7 | 0350010 | 2 | 1 PINO GUIA | DOWEL | ESPIGA | PION |
| 8 | 0746254 | | 3 PARAFUSO | BOLT | TORNILLO | VIS |
| 9 | 0920053 | | 6 ARRUELA | WASHER | ARANDELA | RONDELLE |




BOMBA INJETORA DE COMBUSTÍVEL
FUEL INJECTION PUMP
BOMBA DE INYECCIÓN DE COMBUSTIBLE
POMPE D'INJECTION DE COMBUSTIBLE

GRUPO
GROUP 39/173
GRUPO
GROUPE



BOMBA INJETORA DE COMBUSTÍVEL
FUEL INJECTION PUMP
BOMBA DE INYECCIÓN DE COMBUSTIBLE
POMPE D'INJECTION DE COMBUSTIBLE

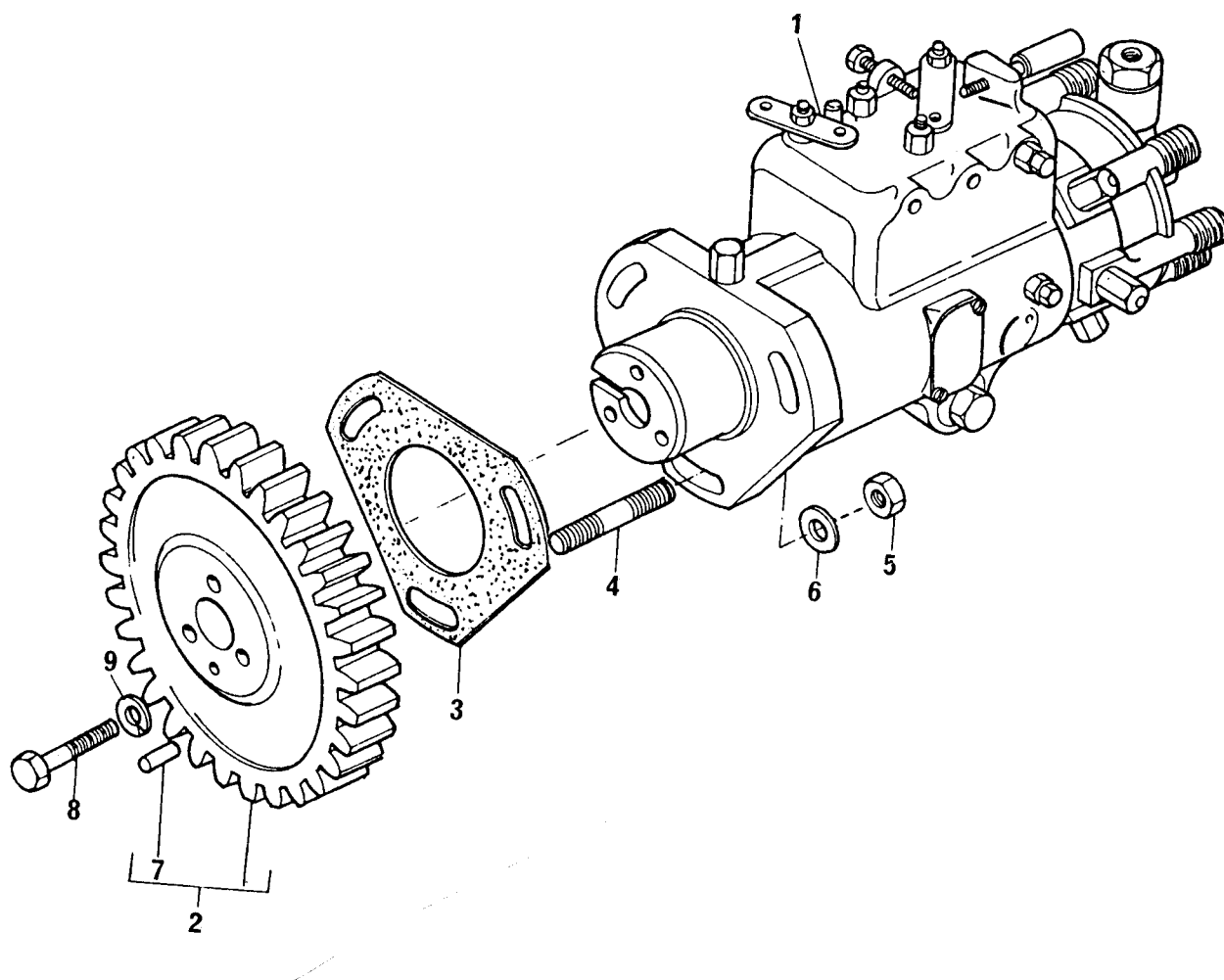
GRUPO
GROUP **39/173**
GRUPO
GROUPE

| | | | | | | |
|---|----------|--|---------------|--------|-----------|----------|
| 1 | 77328 | | 1 BOMBA | PUMP | BOMBA | POMPE |
| 2 | 41115126 | | 1 ENGRENAGEM | GEAR | ENGRANAJE | PIGNON |
| 3 | 70490403 |  70490063 | 1 JUNTA | JOINT | JUNTA | JOINT |
| 4 | 2215574 | | 3 PRISIONEIRO | STUD | ESPÁRRAGO | GOUJON |
| 5 | 70570073 |  0576002 | 3 PORCA | NUT | TUERCA | ÉCROU |
| 6 | 33114412 |  0920003 | 3 ARRUELA | WASHER | ARANDELA | RONDELLE |
| 7 | 0350010 | 2 | 1 PINO GUIA | DOWEL | ESPIGA | PION |
| 8 | 0746254 | | 3 PARAFUSO | BOLT | TORNILLO | VIS |
| 9 | 0920053 | | 6 ARRUELA | WASHER | ARANDELA | RONDELLE |

BOMBA INJETORA DE COMBUSTÍVEL
FUEL INJECTION PUMP
BOMBA DE INYECCIÓN DE COMBUSTIBLE
POMPE D'INJECTION DE COMBUSTIBLE




GRUPO
GROUP
GRUPO
GROUPE

39/175



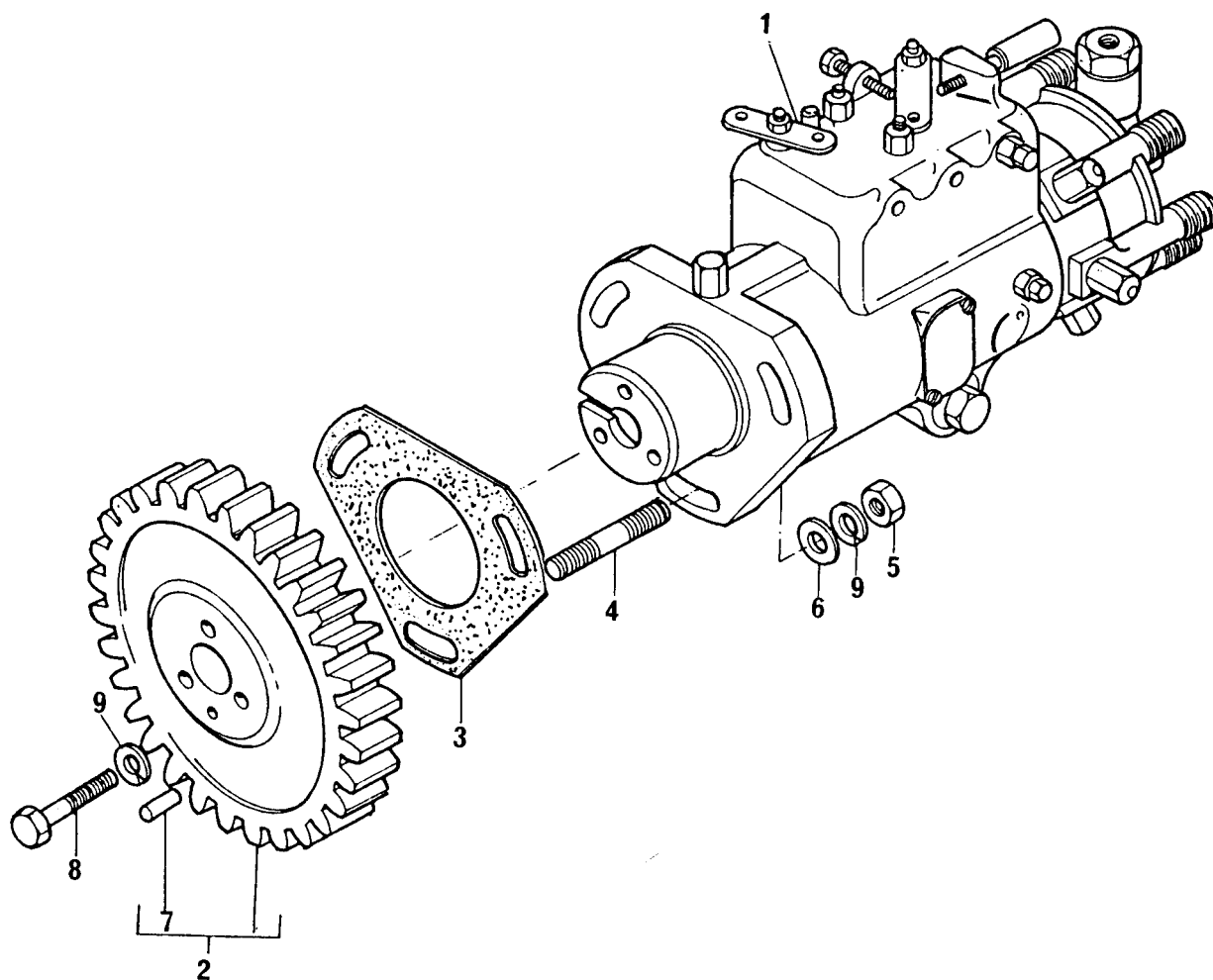
BOMBA INJETORA DE COMBUSTÍVEL
FUEL INJECTION PUMP
BOMBA DE INYECCIÓN DE COMBUSTIBLE
POMPE D'INJECTION DE COMBUSTIBLE

GRUPO
GROUP 39/175
GRUPO
GROUPE

| | | | | | | |
|---|----------|--|--------------|--------|-----------|----------|
| 1 | 77335 | | 1 BOMBA | PUMP | BOMBA | POMPE |
| 2 | 41115127 | | 1 ENGRENAGEM | GEAR | ENGRANAJE | PIGNON |
| 3 | 70490403 |  70490063 | 1 JUNTA | JOINT | JUNTA | JOINT |
| 4 | 2215574 | | 3 PRISONEIRO | STUD | ESPÁRRAGO | GOUJON |
| 5 | 70570073 |  0576002 | 3 PORCA | NUT | TUERCA | ÉCROU |
| 6 | 33114412 |  0920003 | 3 ARRUELA | WASHER | ARANDELA | RONDELLE |
| 7 | 0350010 | 2 | 1 PINO GUIA | DOWEL | ESPIGA | PION |
| 8 | 0746254 | | 3 PARAFUSO | BOLT | TORNILLO | VIS |
| 9 | 0920053 | | 3 ARRUELA | WASHER | ARANDELA | RONDELLE |




BOMBA INJETORA DE COMBUSTÍVEL
FUEL INJECTION PUMP
BOMBA DE INYECCIÓN DE COMBUSTIBLE
POMPE D'INJECTION DE COMBUSTIBLE

GRUPO
GROUP 39/176
GRUPO
GROUPE



BOMBA INJETORA DE COMBUSTÍVEL
FUEL INJECTION PUMP
BOMBA DE INYECCIÓN DE COMBUSTIBLE
POMPE D'INJECTION DE COMBUSTIBLE

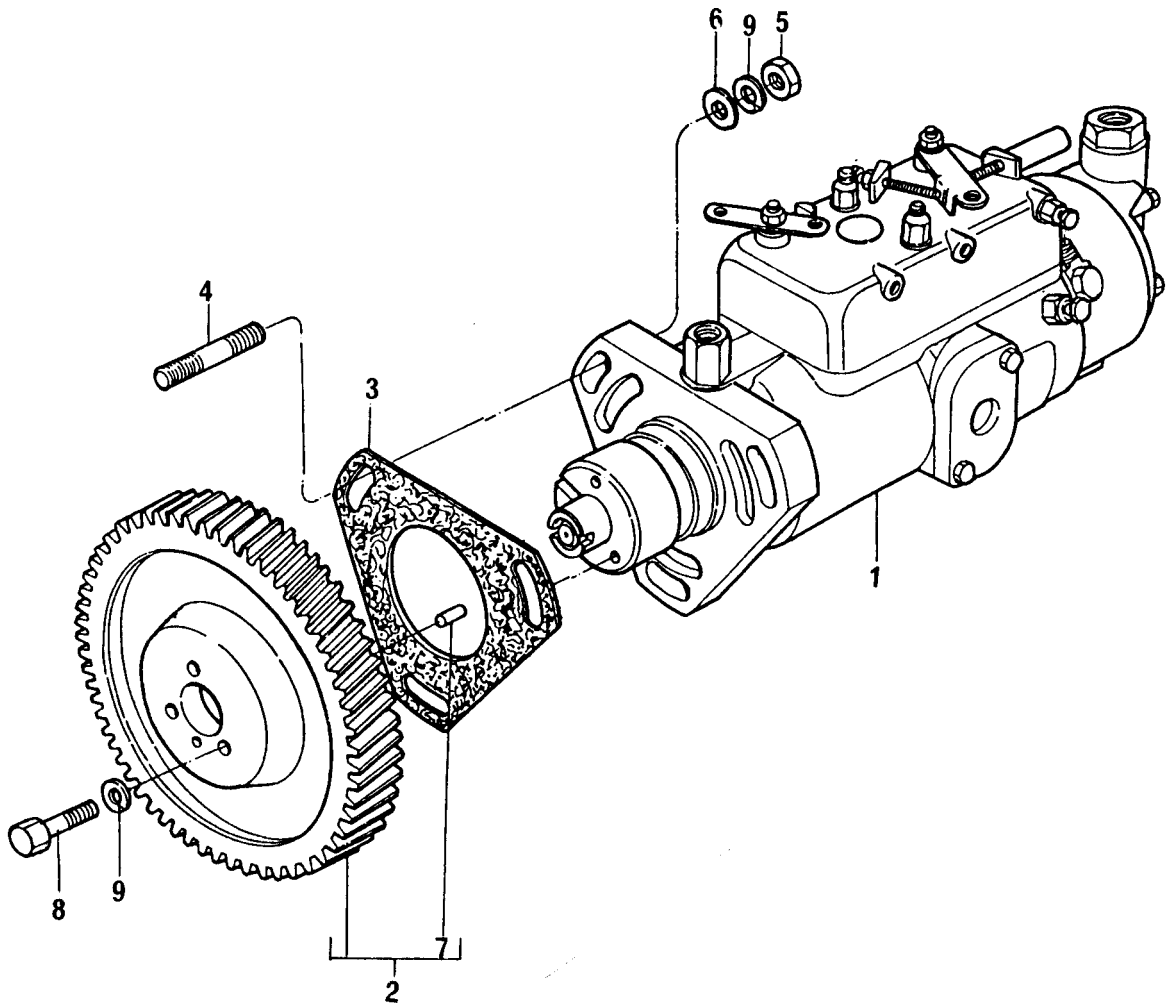
GRUPO
GROUP 39/176
GRUPO
GROUPE

| | | | | | | |
|---|----------|--|---------------|--------|-----------|----------|
| 1 | 77336 | | 1 BOMBA | PUMP | BOMBA | POMPE |
| 2 | 41115127 | | 1 ENGRENAGEM | GEAR | ENGRANAJE | PIGNON |
| 3 | 70490403 |  70490063 | 1 JUNTA | JOINT | JUNTA | JOINT |
| 4 | 2215574 | | 3 PRISIONEIRO | STUD | ESPÁRRAGO | GOUJON |
| 5 | 70570073 |  0576002 | 3 PORCA | NUT | TUERCA | ÉCROU |
| 6 | 33114412 |  0920003 | 3 ARRUELA | WASHER | ARANDELA | RONDELLE |
| 7 | 0350010 | 2 | 1 PINO GUIA | DOWEL | ESPIGA | PION |
| 8 | 0746254 | | 3 PARAFUSO | BOLT | TORNILLO | VIS |
| 9 | 0920053 | | 6 ARRUELA | WASHER | ARANDELA | RONDELLE |

BOMBA INJETORA DE COMBUSTÍVEL
FUEL INJECTION PUMP
BOMBA DE INYECCIÓN DE COMBUSTIBLE
POMPE D'INJECTION DE COMBUSTIBLE




GRUPO
GROUP
GRUPO
GROUPE

39/177



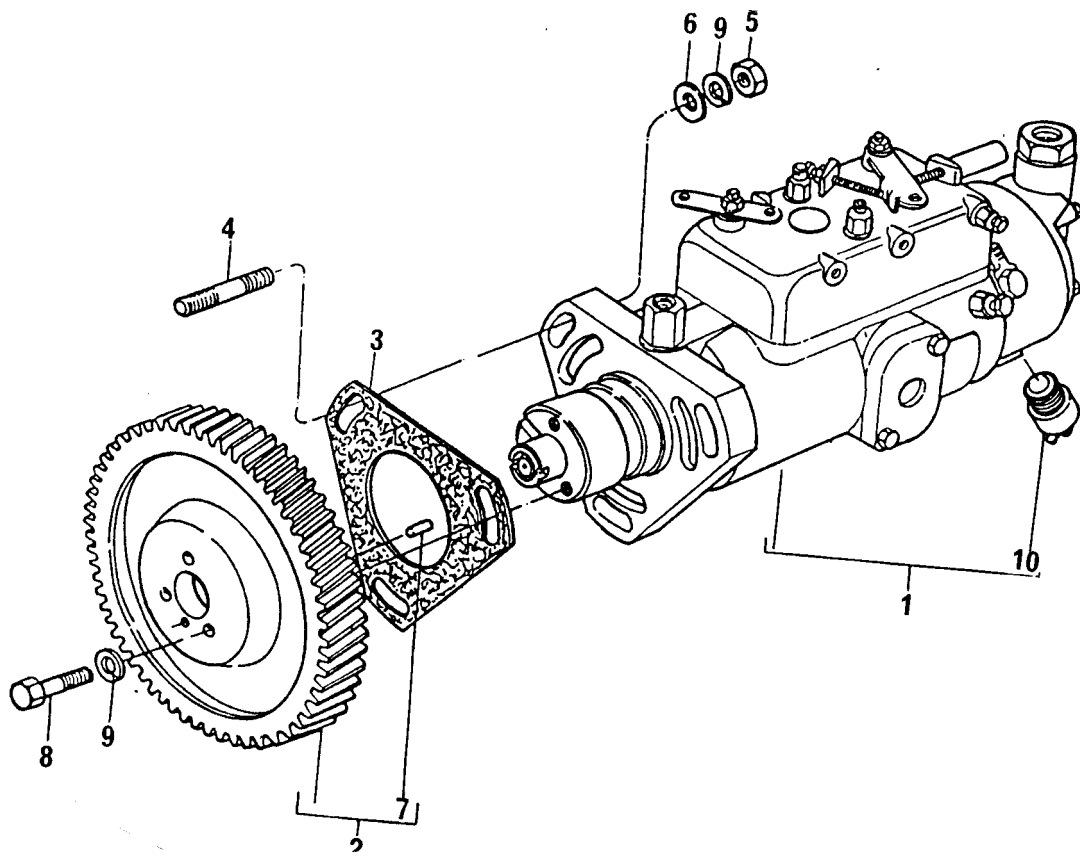
BOMBA INJETORA DE COMBUSTÍVEL
FUEL INJECTION PUMP
BOMBA DE INYECCIÓN DE COMBUSTIBLE
POMPE D'INJECTION DE COMBUSTIBLE

GRUPO
GROUP **39/177**
GRUPO
GROUPE

| | | | | | | |
|---|----------|--|---------------|--------|-----------|----------|
| 1 | 77327 | | 1 BOMBA | PUMP | BOMBA | POMPE |
| 2 | 41115127 | | 1 ENGRENAGEM | GEAR | ENGRANAJE | PIGNON |
| 3 | 70490403 |  70490063 | 1 JUNTA | JOINT | JUNTA | JOINT |
| 4 | 2215574 | | 3 PRISIONEIRO | STUD | ESPÁRRAGO | GOUJON |
| 5 | 70570073 |  0576002 | 3 PORCA | NUT | TUERCA | ÉCROU |
| 6 | 33114412 |  0920003 | 3 ARRUELA | WASHER | ARANDELA | RONDELLE |
| 7 | 0350010 | 2 | 1 PINO GUIA | DOWEL | ESPIGA | PION |
| 8 | 0746254 | | 3 PARAFUSO | BOLT | TORNILLO | VIS |
| 9 | 0920053 | | 6 ARRUELA | WASHER | ARANDELA | RONDELLE |




BOMBA INJETORA DE COMBUSTÍVEL
FUEL INJECTION PUMP
BOMBA DE INYECCIÓN DE COMBUSTIBLE
POMPE D'INJECTION DE COMBUSTIBLE

GRUPO
GROUP 39/186
GRUPO
GROUPE



BOMBA INJETORA DE COMBUSTÍVEL
FUEL INJECTION PUMP
BOMBA DE INYECCIÓN DE COMBUSTIBLE
POMPE D'INJECTION DE COMBUSTIBLE

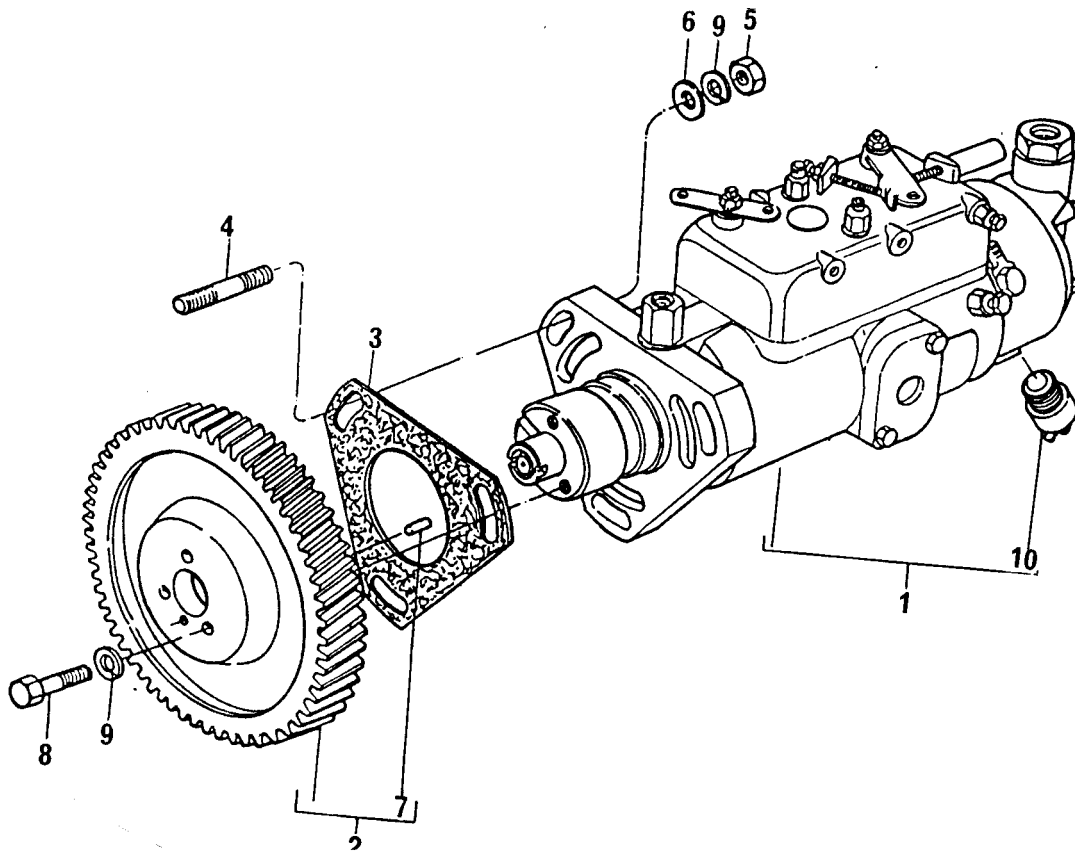
GRUPO
GROUP **39/186**
GRUPO
GROUPE

| | | | | | | | |
|----|----------|--|---|-------------|------------|-----------|-----------|
| 1 | 77386 | | 1 | BOMBA | PUMP | BOMBA | POMPE |
| 2 | 41115126 | | 1 | ENGRENAGEM | GEAR | ENGRANAJE | PIGNON |
| 3 | 70490403 |  70490063 | 1 | JUNTA | JOINT | JUNTA | JOINT |
| 4 | 0826277 | | 3 | PRISIONEIRO | STUD | ESPÁRRAGO | GOJON |
| 5 | 70570073 |  0576002 | 3 | PORCA | NUT | TUERCA | ÉCROU |
| 6 | 33114412 |  0920003 | 3 | ARRUELA | WASHER | ARANDELA | RONDELLE |
| 7 | 0350010 | 5 | 1 | PINO GUIA | DOWEL | ESPIGA | PION |
| 8 | 0746254 | | 3 | PARAFUSO | BOLT | TORNILLO | VIS |
| 9 | 0920053 | | 6 | ARRUELA | WASHER | ARANDELA | RONDELLE |
| 10 | 74083 | 1 | 1 | SOLENÓIDE | SOLENOID | SOLENÓIDE | SOLENOIDE |
| 11 | 70200123 | | 1 | CONEXÃO | CONNECTION | CONEXIÓN | RACCORD |
| 12 | 70920175 | | 1 | ARRUELA | WASHER | ARANDELA | RONDELLE |

BOMBA INJETORA DE COMBUSTÍVEL
FUEL INJECTION PUMP
BOMBA DE INYECCIÓN DE COMBUSTIBLE
POMPE D'INJECTION DE COMBUSTIBLE




GRUPO
GROUP
GRUPO
GROUPE

39/199



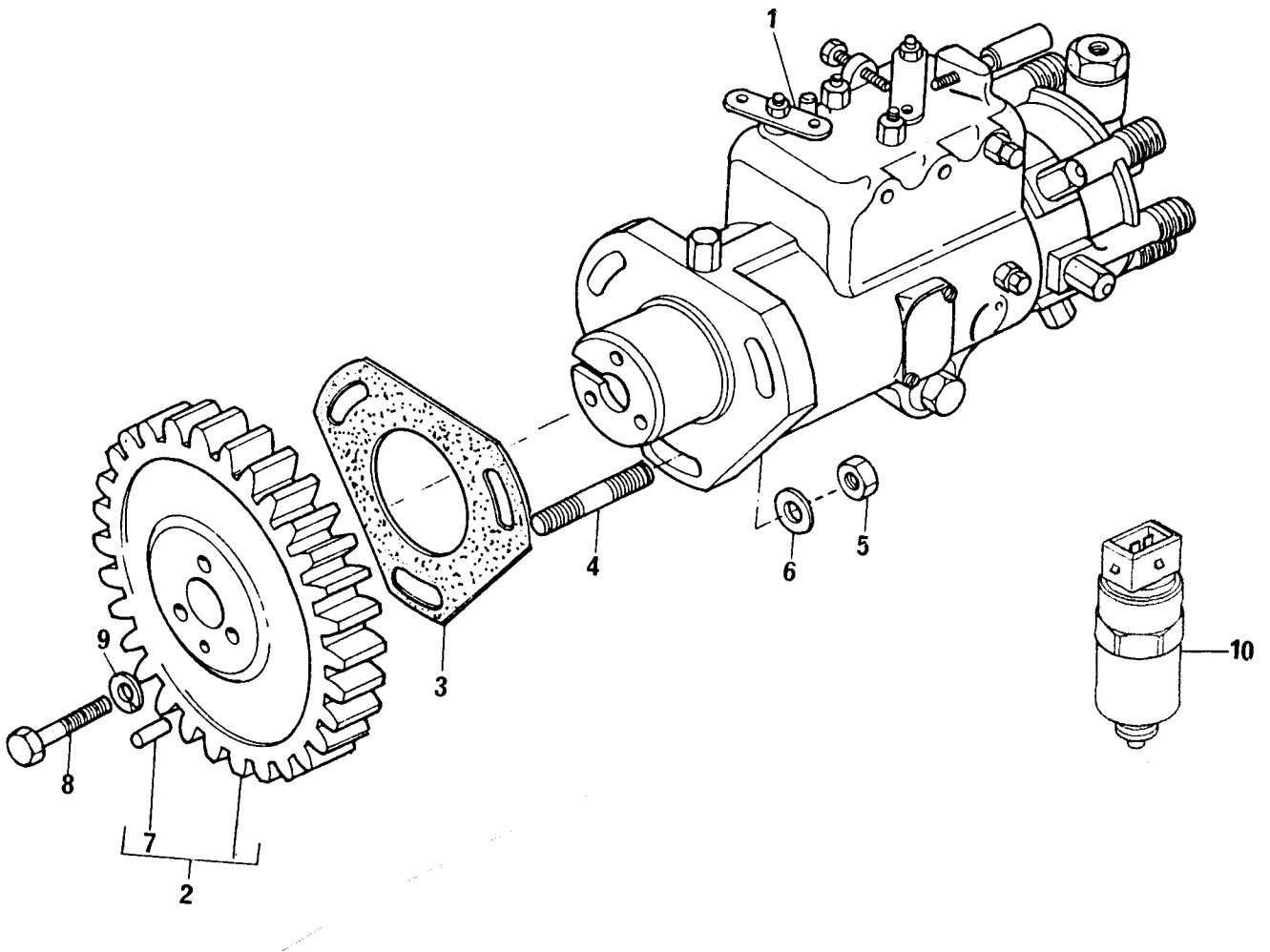
BOMBA INJETORA DE COMBUSTÍVEL
FUEL INJECTION PUMP
BOMBA DE INYECCIÓN DE COMBUSTIBLE
POMPE D'INJECTION DE COMBUSTIBLE

GRUPO
GROUP **39/199**
GRUPO
GROUPE

| | | | | | | |
|----|----------|--|---------------|----------|-----------|-----------|
| 1 | 77396 | | 1 BOMBA | PUMP | BOMBA | POMPE |
| 2 | 41115127 | | 1 ENGRENAGEM | GEAR | ENGRANAJE | PIGNON |
| 3 | 70490403 |  70490063 | 1 JUNTA | JOINT | JUNTA | JOINT |
| 4 | 2215574 | | 3 PRISIONEIRO | STUD | ESPÁRAGO | GOUJON |
| 5 | 70570073 |  0576002 | 3 PORCA | NUT | TUERCA | ÉCROU |
| 6 | 33114412 |  0920003 | 3 ARRUELA | WASHER | ARANDELA | RONDELLE |
| 7 | 0350010 | 2 | 1 PINO GUIA | DOWEL | ESPIGA | PION |
| 8 | 0746254 | | 3 PARAFUSO | BOLT | TORNILLO | VIS |
| 9 | 0920053 | | 6 ARRUELA | WASHER | ARANDELA | RONDELLE |
| 10 | 74083 | 1 | 1 SOLENÓIDE | SOLENOID | SOLENÓIDE | SOLENOIDE |

BOMBA INJETORA DE COMBUSTÍVEL
FUEL INJECTION PUMP
BOMBA DE INYECCIÓN DE COMBUSTIBLE
POMPE D'INJECTION DE COMBUSTIBLE

GRUPO
GROUP 39/240
GRUPO
GROUPE



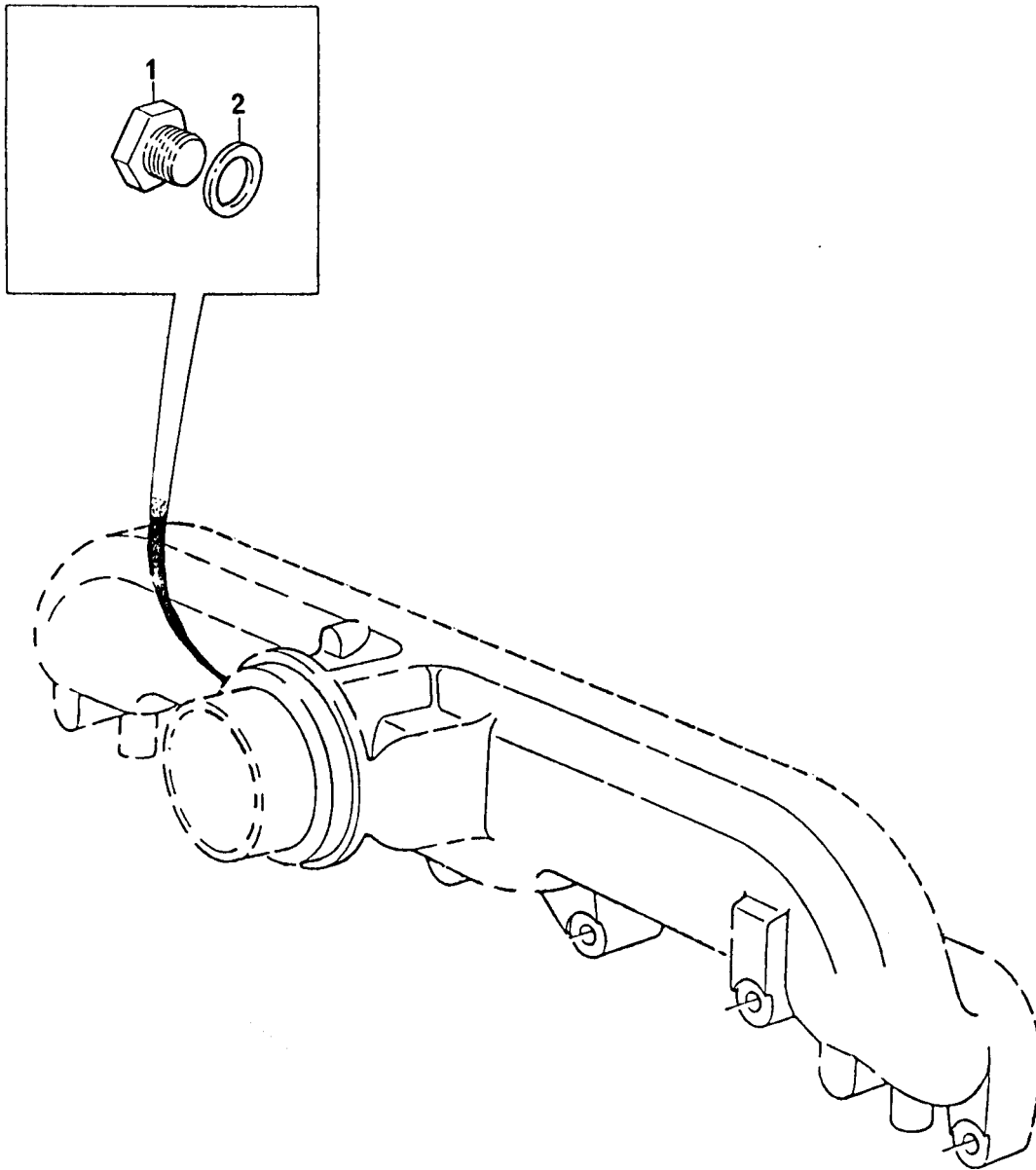
BOMBA INJETORA DE COMBUSTÍVEL
FUEL INJECTION PUMP
BOMBA DE INYECCIÓN DE COMBUSTIBLE
POMPE D'INJECTION DE COMBUSTIBLE

GRUPO
GROUP **39/240**
GRUPO
GROUPE

| | | | | | | |
|----|----------|---|---------------|----------|-----------|----------|
| 1 | 77511 | | 1 BOMBA | PUMP | BOMBA | POMPE |
| 2 | 41115127 | | 1 ENGRENAGEM | GEAR | ENGRANAJE | PIGNON |
| 3 | 70490403 | | 1 JUNTA | JOINT | JUNTA | JOINT |
| 4 | 2215574 | | 3 PRISIONEIRO | STUD | ESPÁRRAGO | GOUJON |
| 5 | 70570073 | | 3 PORCA | NUT | TUERCA | ÉCROU |
| 6 | 33114412 | | 3 ARRUELA | WASHER | ARANDELA | RONDELLE |
| 7 | 0350010 | 2 | 1 PINO GUIA | DOWEL | ESPIGA | PION |
| 8 | 0746254 | | 3 PARAFUSO | BOLT | TORNILLO | VIS |
| 9 | 0920053 | | 3 ARRUELA | WASHER | ARANDELA | RONDELLE |
| 10 | 74320 | | 1 SOLENÓIDE | SOLENOID | SOLENOIDE | SOLENOID |

SISTEMA AUXILIAR DE PARTIDA A FRIO
COLD WEATHER STARTING AID
SISTEMA AUXILIAR DE TERMOARRANQUE
SYSTEME DE DEMARRAGE POR TEMPS FROID

GRUPO
GROUP 40/01
GRUPO
GROUPE



SISTEMA AUXILIAR DE PARTIDA A FRIO
COLD WEATHER STARTING AID
SISTEMA AUXILIAR DE TERMOARRANQUE
SYSTEME DE DEMARRAGE POR TEMPS FROID

GRUPO
GROUP 40/01
GRUPO
GROUPE

1 80650722
2 70920065

1 BUJÃO
1 ARRUELA

PLUG
WASHER

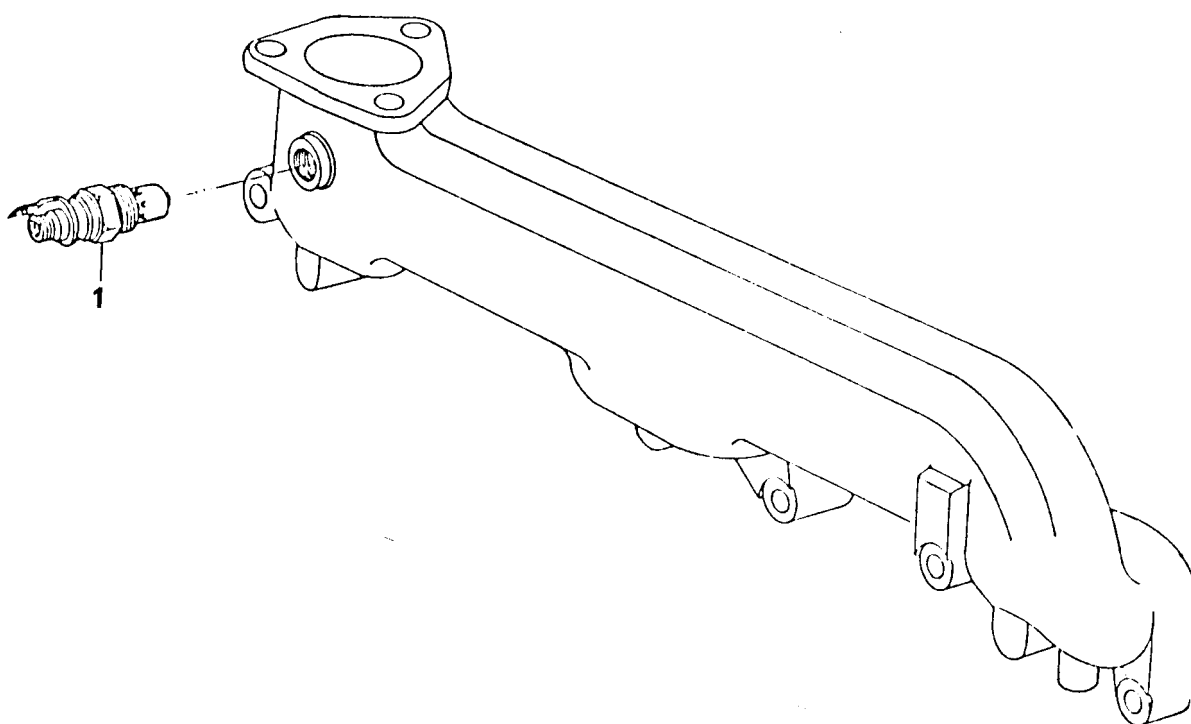
TAPÓN
ARANDELA

BOUCHON
RONDELLE

SISTEMA AUXILIAR DE PARTIDA A FRIO
COLD WEATHER STARTING AID
SISTEMA AUXILIAR DE TERMOARRANQUE
SYSTEME DE DEMARRAGE POR TEMPS FROID

GRUPO
GROUP
GRUPO
GROUPE

40/22



SISTEMA AUXILIAR DE PARTIDA A FRIO
COLD WHEATHER STARTING AID
SISTEMA AUXILIAR DE TERMOARRANQUE
SYSTEME DE DEMARRAGE POR TEMPS FROID

GRUPO
GROUP 40/22
GRUPO
GROUPE

1 70998052

1 ELEMENTO AQUEC. HEATER

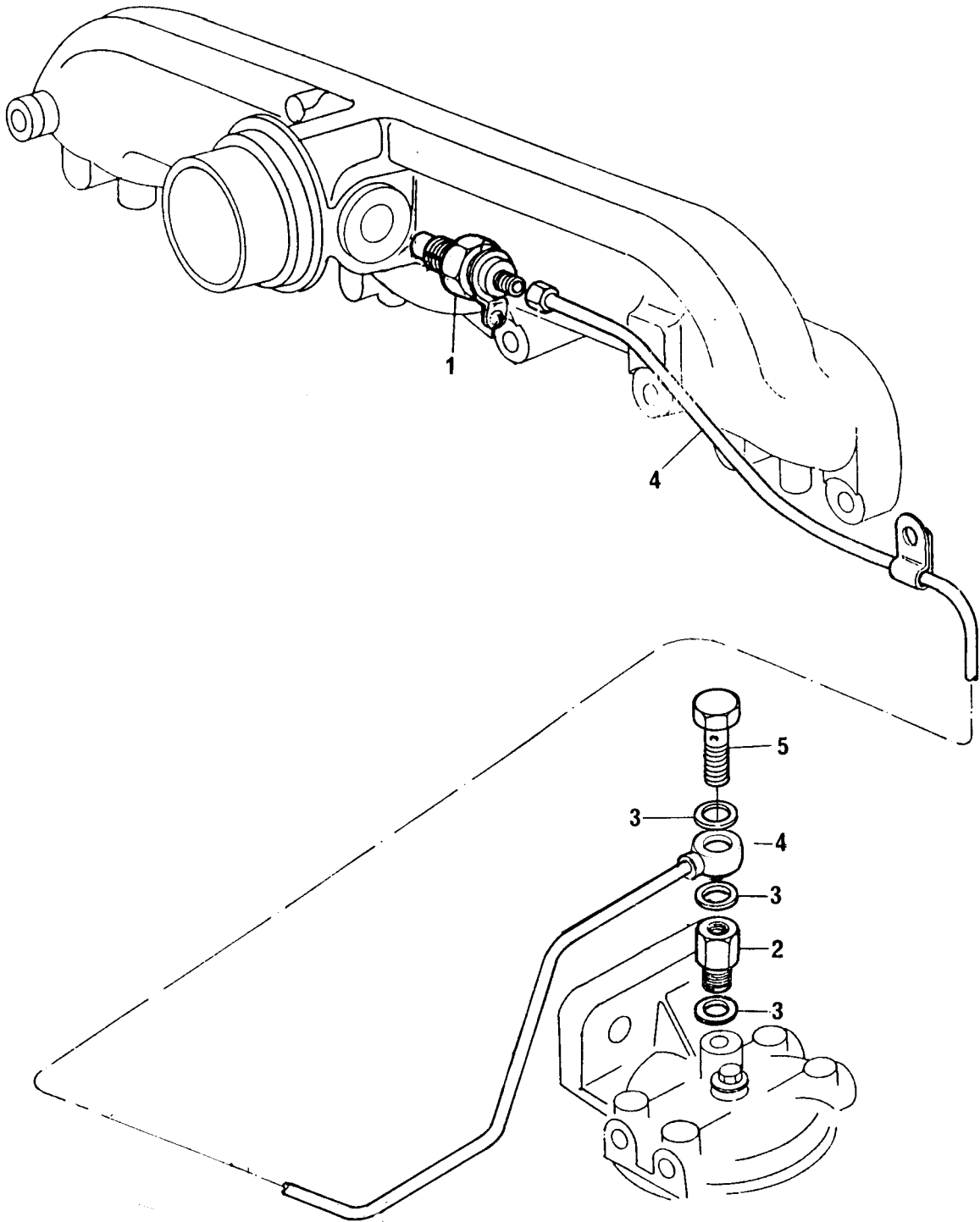
CALENTADOR

CHAUFFAGE

SISTEMA AUXILIAR DE PARTIDA A FRIO
COLD WHEATHER STARTING AID
SISTEMA AUXILIAR DE TERMOARRANQUE
SYSTEME DE DEMARRAGE POR TEMPS FROID

GRUPO
GROUP
GRUPO
GROUPE

40/77



SISTEMA AUXILIAR DE PARTIDA A FRIO
COLD WHEATHER STARTING AID
SISTEMA AUXILIAR DE TERMOARRANQUE
SYSTEME DE DEMARRAGE POR TEMPS FROID

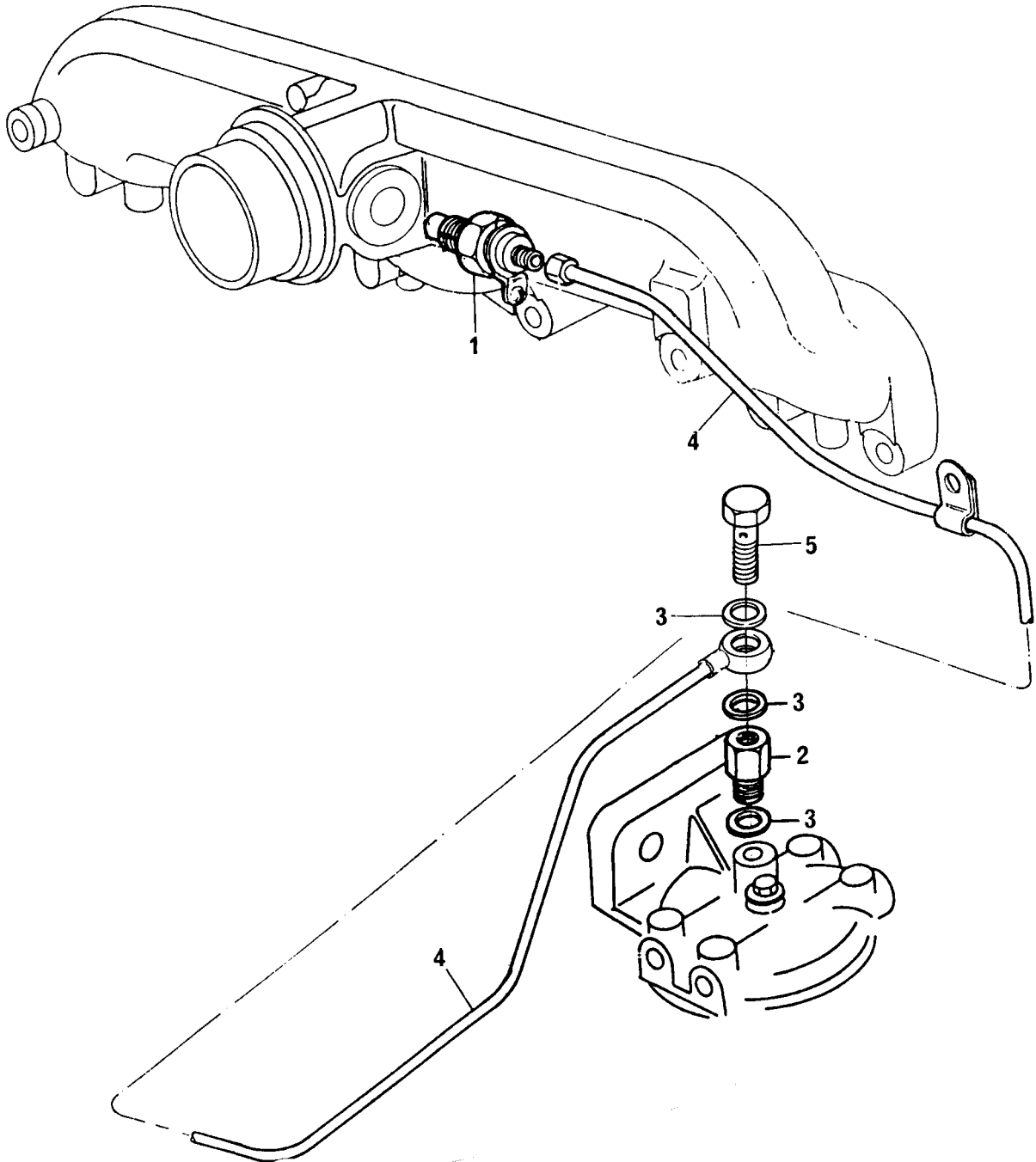
GRUPO
GROUP 40/77
GRUPO
GROUPE

| | | | | | | |
|---|----------|---|-----------------|------------|----------------|------------|
| 1 | 70998052 | 1 | ELEMENTO AQUEC. | HEATER | CALENTADOR | CHAUFFAGE |
| 2 | 70998053 | 1 | VÁLVULA | VALVE | VÁLVULA | SOUPAPE |
| 3 | 70920115 | 3 | ARRUELA | WASHER | ARANDELA | RONDELLE |
| 4 | 70992048 | 1 | TUBO | PIPE | CAÑO | TUYAUTERIE |
| 5 | 70740343 | 1 | PARAFUSO BANJO | BANJO BOLT | TORNILLO BANJO | VIS BANJO |

SISTEMA AUXILIAR DE PARTIDA A FRIO
COLD WHEATHER STARTING AID
SISTEMA AUXILIAR DE TERMOARRANQUE
SYSTEME DE DEMARRAGE POR TEMPS FROID

GRUPO
GROUP
GRUPO
GROUPE

40/98



SISTEMA AUXILIAR DE PARTIDA A FRIO
COLD WHEATHER STARTING AID
SISTEMA AUXILIAR DE TERMOARRANQUE
SYSTEME DE DEMARRAGE POR TEMPS FROID

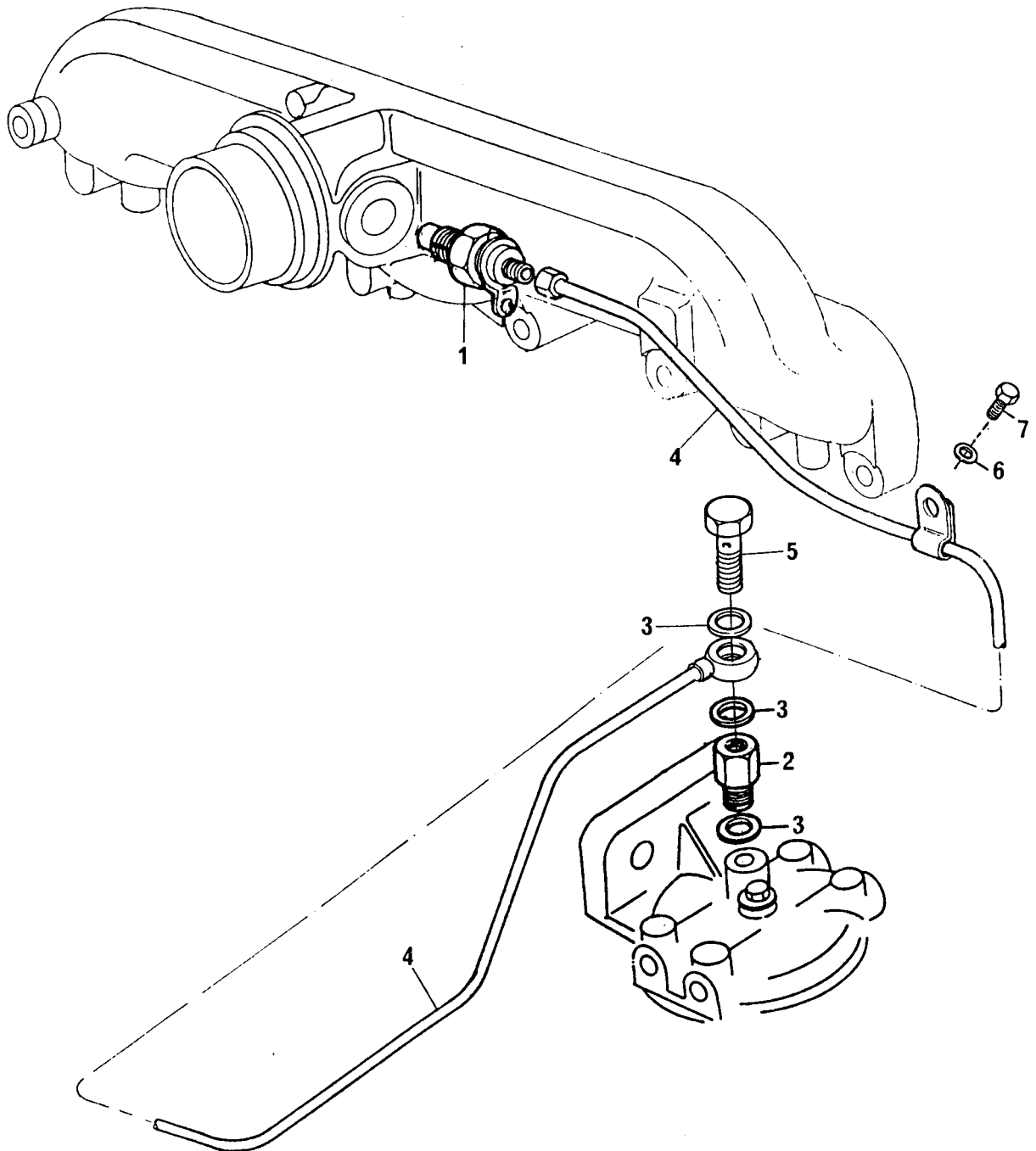
GRUPO
GROUP 40/98
GRUPO
GROUPE

| | | | | | | |
|---|----------|---|-----------------|------------|----------------|------------|
| 1 | 70998052 | 1 | ELEMENTO AQUEC. | HEATER | CALENTADOR | CHAUFFAGE |
| 2 | 70998053 | 1 | VÁLVULA | VALVE | VÁLVULA | SOUPAPE |
| 3 | 70920115 | 3 | ARRUELA | WASHER | ARANDELA | RONDELLE |
| 4 | 70992388 | 1 | TUBO | PIPE | CAÑO | TUYAUTERIE |
| 5 | 70740343 | 1 | PARAFUSO BANJO | BANJO BOLT | TORNILLO BANJO | VIS BANJO |

SISTEMA AUXILIAR DE PARTIDA A FRIO
COLD WEATHER STARTING AID
SISTEMA AUXILIAR DE TERMOARRANQUE
SYSTEME DE DEMARRAGE POR TEMPS FROID

GRUPO
GROUP
GRUPO
GROUPE

40/111



SISTEMA AUXILIAR DE PARTIDA A FRIO
COLD WHEATHER STARTING AID
SISTEMA AUXILIAR DE TERMOARRANQUE
SYSTEME DE DEMARRAGE POR TEMPS FROID

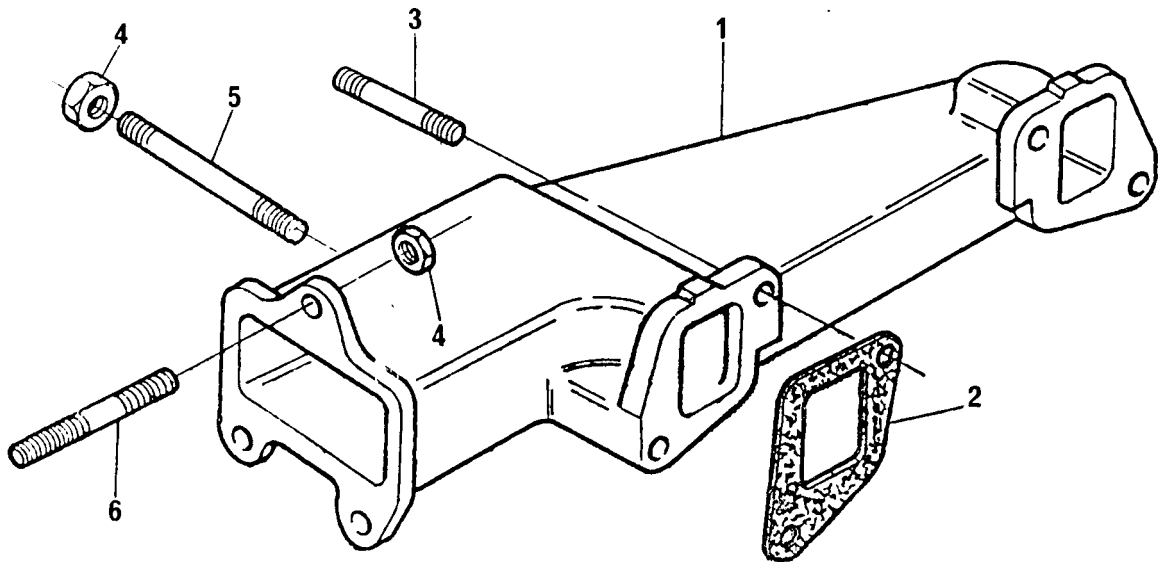
GRUPO
GROUP 40/111
GRUPO
GROUPE

| | | | | | | |
|---|----------|---|-----------------|------------|----------------|------------|
| 1 | 70998052 | 1 | ELEMENTO AQUEC. | HEATER | CALENTADOR | CHAUFFAGE |
| 2 | 70998053 | 1 | VÁLVULA | VALVE | VÁLVULA | SOUPAPE |
| 3 | 70920115 | 3 | ARRUELA | WASHER | ARANDELA | RONDELLE |
| 4 | 70992591 | 1 | TUBO | PIPE | CAÑO | TUYAUTERIE |
| 5 | 70740343 | 1 | PARAFUSO BANJO | BANJO BOLT | TORNILLO BANJO | VIS BANJO |
| 6 | 0920053 | 1 | ARRUELA | WASHER | ARANDELA | RONDELLE |
| 7 | 0746251 | 1 | PARAFUSO | BOLT | TORNILLO | VIS |

COLETOR DE ESCAPE
EXHAUST MANIFOLD
MÚLTIPLE DE ESCAPE
COLLECTEUR D'ÉCHAPPEMENT




GRUPO
GROUP
GRUPO
GROUPE

41/19



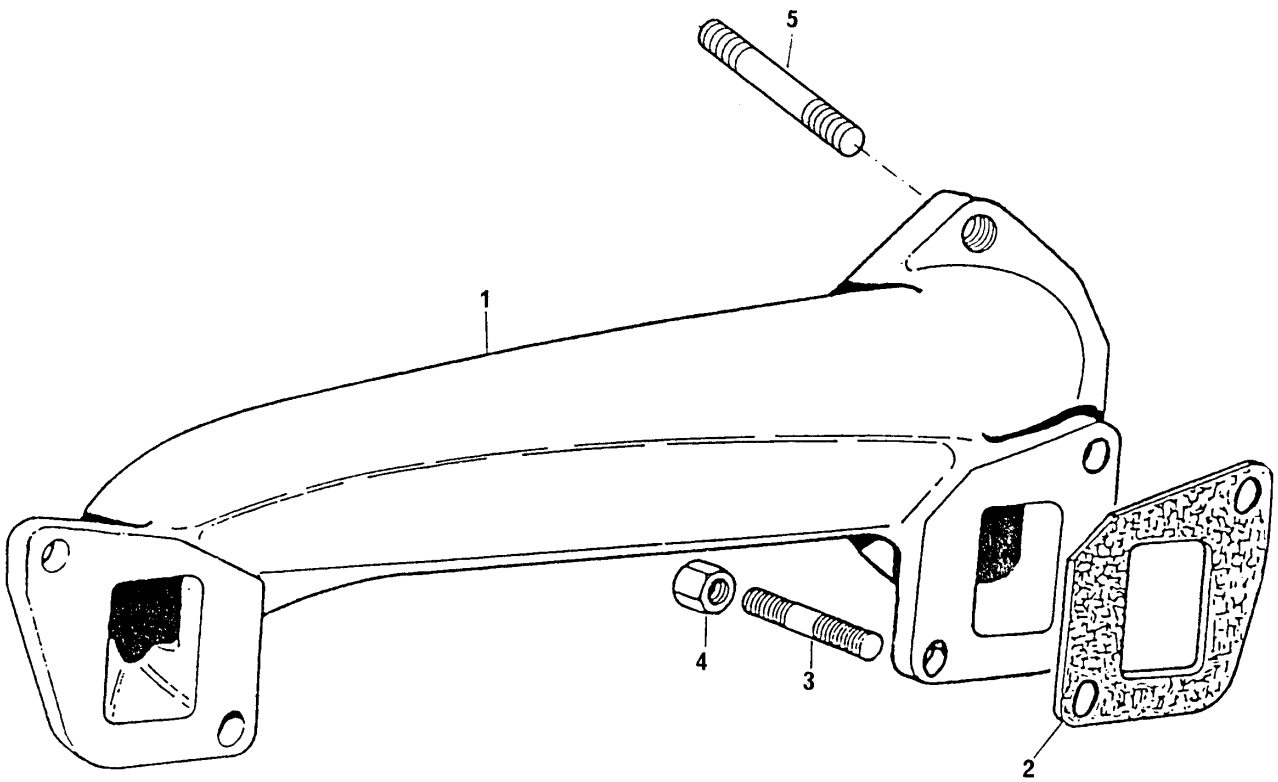
**COLETOR DE ESCAPE
EXHAUST MANIFOLD
MÚLTIPLE DE ESCAPE
COLLECTEUR D'ÉCHAPPEMENT**

**GRUPO
GROUP
GRUPO
GROUPE** **41/19**

| | | | | | | | |
|---|----------|--|---|----------------|----------|-----------|------------|
| 1 | 70540061 | | 1 | COLETOR ESCAPE | MANIFOLD | MÚLTIPLE | COLLECTEUR |
| 2 | 36862134 | | 2 | JUNTA | JOINT | JUNTA | JOINT |
| 3 | 0826422 |  0826403 | 3 | PRISIONEIRO | STUD | ESPÁRRAGO | GOUJON |
| 4 | 70570082 |  70570064 | 7 | PORCA | NUT | TUERCA | ÉCROU |
| 5 | 0826526 | | 1 | PRISIONEIRO | STUD | ESPÁRRAGO | GOUJON |
| 6 | 0826408 |  0826412 | 3 | PRISIONEIRO | STUD | ESPÁRRAGO | GOUJON |



COLETOR DE ESCAPE
EXHAUST MANIFOLD
MÚLTIPLE DE ESCAPE
COLLECTEUR D'ÉCHAPPEMENT

GRUPO
GROUP 41/21
GRUPO 41/95
GROUPE



COLETOR DE ESCAPE
EXHAUST MANIFOLD
MÚLTIPLE DE ESCAPE
COLLECTEUR D'ÉCHAPPEMENT

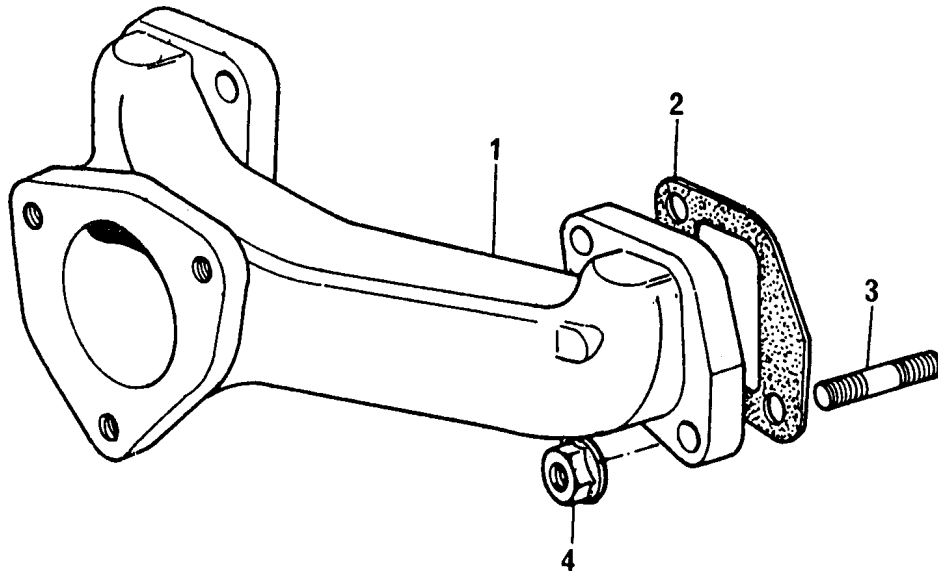
GRUPO
GROUP 41/21
GRUPO 41/95
GROUPE

| | | | | | | | |
|---|----------|--|---|----------------|----------|-----------|------------|
| 1 | 37781781 | | 1 | COLETOR ESCAPE | MANIFOLD | MÚLTIPLE | COLLECTEUR |
| 2 | 36862134 | | 2 | JUNTA | JOINT | JUNTA | JOINT |
| 3 | 0826422 |  0826403 | 4 | PRISIONEIRO | STUD | ESPÁRRAGO | GOUJON |
| 4 | 70570082 |  70570064 | 7 | PORCA | NUT | TUERCA | ÉCROU |
| 5 | 0826408 | | 3 | PRISIONEIRO | STUD | ESPÁRRAGO | GOUJON |

COLETOR DE ESCAPE
EXHAUST MANIFOLD
MÚLTIPLE DE ESCAPE
COLLECTEUR D'ÉCHAPPEMENT

GRUPO
GROUP
GRUPO
GROUPE

41/23



**COLETOR DE ESCAPE
EXHAUST MANIFOLD
MÚLTIPLE DE ESCAPE
COLLECTEUR D'ÉCHAPPEMENT**

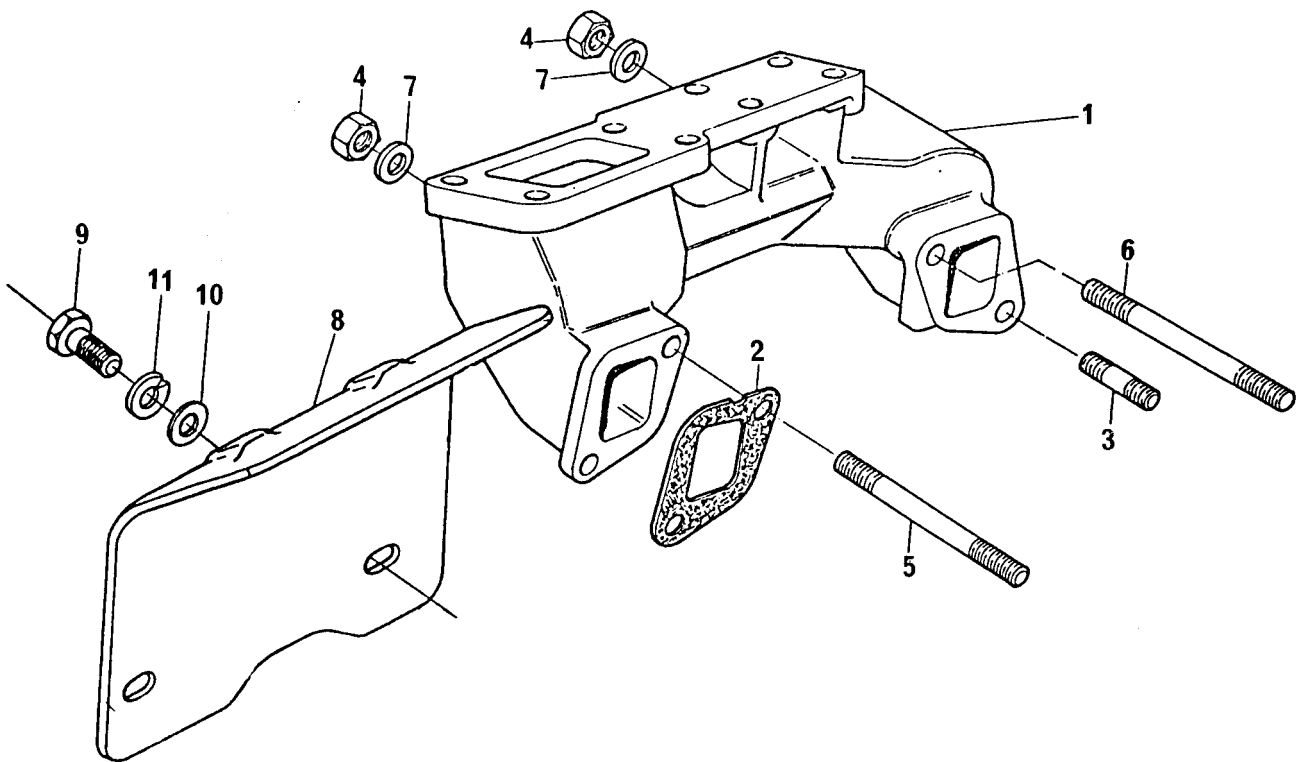
**GRUPO
GROUP
GRUPO
GROUPE** **41/23**

| | | | | | | |
|---|----------|---|----------------|----------|-----------|------------|
| 1 | 37781321 | 1 | COLETOR ESCAPE | MANIFOLD | MÚLTIPLE | COLLECTEUR |
| 2 | 36862134 | 2 | JUNTA | JOINT | JUNTA | JOINT |
| 3 | 0826408 | 4 | PRISIONEIRO | STUD | ESPÁRRAGO | GOUJON |
| 4 | 70570082 | 4 | PORCA | NUT | TUERCA | ÉCROU |

COLETOR DE ESCAPE
EXHAUST MANIFOLD
MÚLTIPLE DE ESCAPE
COLLECTEUR D'ÉCHAPPEMENT

GRUPO
GROUP
GRUPO
GROUPE

41/41



**COLETOR DE ESCAPE
EXHAUST MANIFOLD
MÚLTIPLE DE ESCAPE
COLLECTEUR D'ÉCHAPPEMENT**

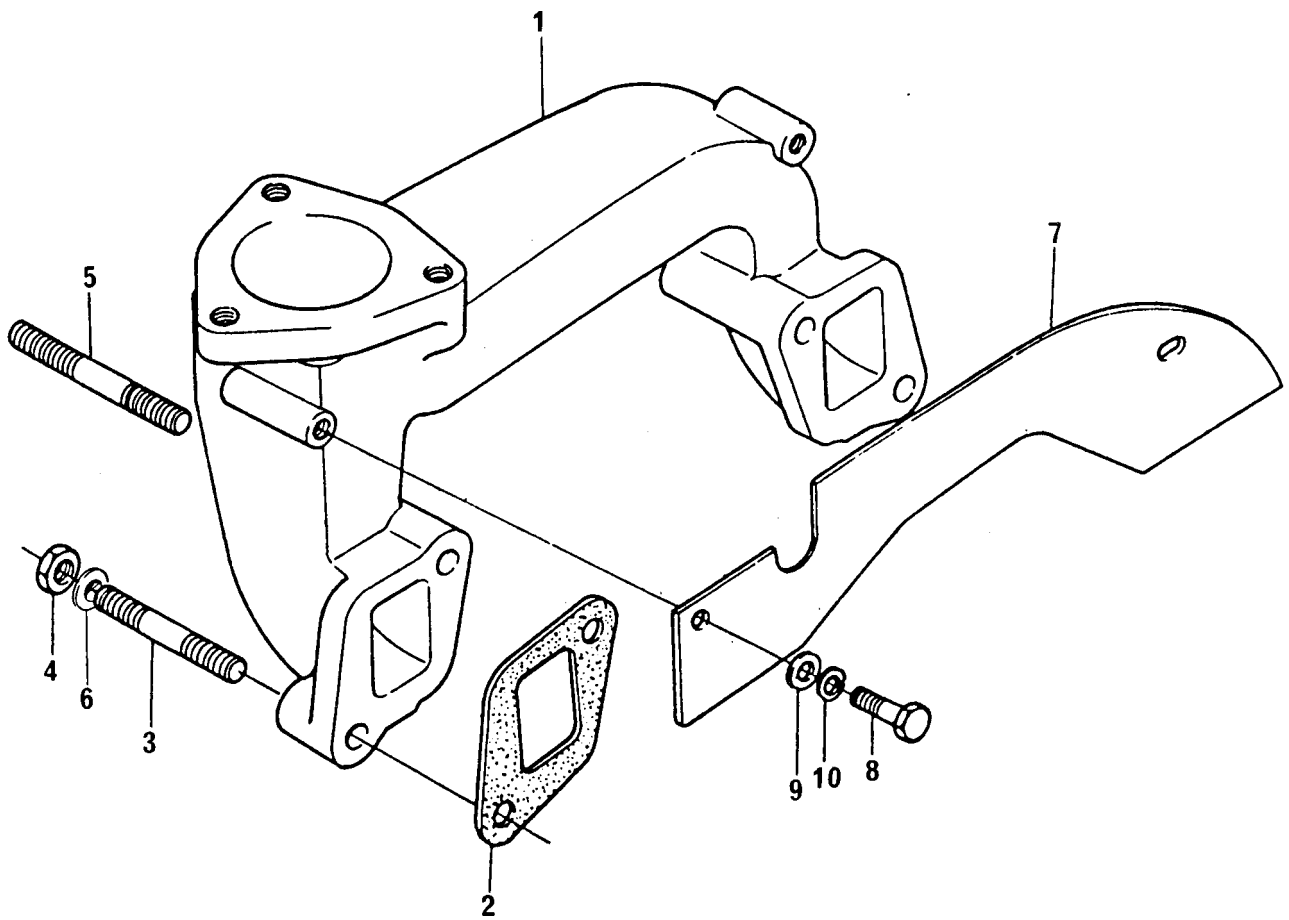
**GRUPO
GROUP
GRUPO
GROUPE** **41/41**

| | | | | | | |
|----|----------|---|----------------|-----------|-----------|------------|
| 1 | 70540103 | 1 | COLETOR ESCAPE | MANIFOLD | MÚLTIPLE | COLLECTEUR |
| 2 | 3688C007 | 2 | JUNTA | JOINT | JUNTA | JOINT |
| 3 | 0826408 | 2 | PRISIONEIRO | STUD | ESPÁRRAGO | GOUJON |
| 4 | 70570064 | 4 | PORCA | NUT | TUERCA | ÉCROU |
| 5 | 0826476 | 1 | PRISIONEIRO | STUD | ESPÁRRAGO | GOUJON |
| 6 | 0826405 | 1 | PRISIONEIRO | STUD | ESPÁRRAGO | GOUJON |
| 7 | 33115117 | 4 | ARRUELA | WASHER | ARANDELA | RONDELLE |
| 8 | 70950018 | 1 | DEFLETOR | DEFLECTOR | DEFLECTOR | DEFLECTEUR |
| 9 | 0746254 | 2 | PARAFUSO | BOLT | TORNILLO | VIS |
| 10 | 0920003 | 2 | ARRUELA | WASHER | ARANDELA | RONDELLE |
| 11 | 0920053 | 2 | ARRUELA | WASHER | ARANDELA | RONDELLE |

COLETOR DE ESCAPE
EXHAUST MANIFOLD
MÚLTIPLE DE ESCAPE
COLLECTEUR D'ÉCHAPPEMENT

GRUPO
GROUP
GRUPO
GROUPE

41/54



**COLETOR DE ESCAPE
EXHAUST MANIFOLD
MÚLTIPLE DE ESCAPE
COLLECTEUR D'ÉCHAPPEMENT**

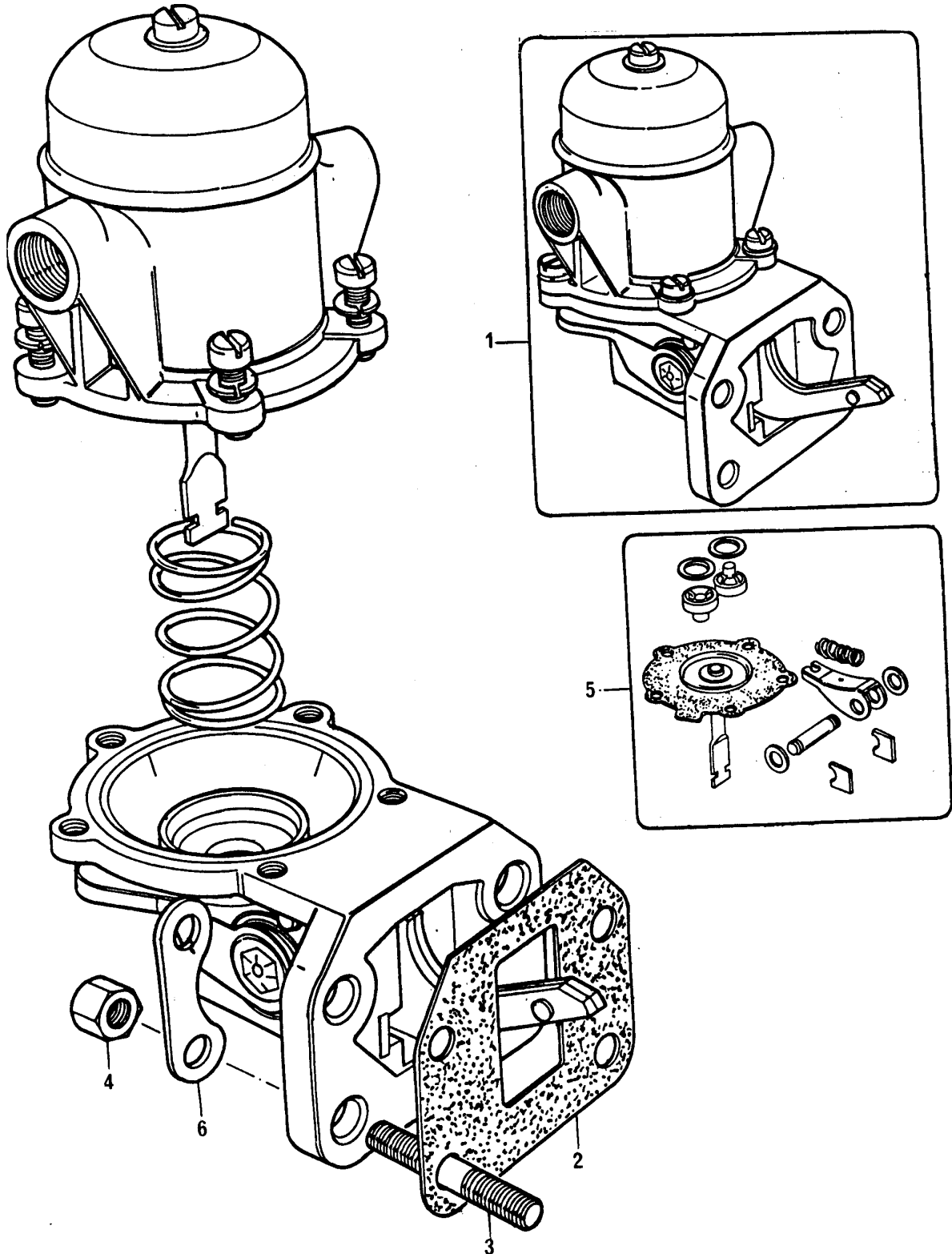
**GRUPO
GROUP
GRUPO
GROUPE** **41/54**

| | | | | | |
|----|----------|---------------|-----------|-----------|------------|
| 1 | 3778H072 | 1 COLETOR | MANIFOLD | MÚLTIPLE | COLLECTEUR |
| 2 | 36862134 | 2 JUNTA | JOINT | JUNTA | JOINT |
| 3 | 0826417 | 2 PRISIONEIRO | STUD | ESPÁRRAGO | GOUJON |
| 4 | 70570064 | 4 PORCA | NUT | TUERCA | ÉCROU |
| 5 | 0826450 | 2 PRISIONEIRO | STUD | ESPÁRRAGO | GOUJON |
| 6 | 33115117 | 4 ARRUELA | WASHER | ARANDELA | RONDELLE |
| 7 | 3625X002 | 1 DEFLETOR | DEFLECTOR | DEFLECTOR | DEFLECTEUR |
| 8 | 0746254 | 2 PARAFUSO | BOLT | TORNILLO | VIS |
| 9 | 0920003 | 2 ARRUELA | WASHER | ARANDELA | RONDELLE |
| 10 | 0920053 | 2 ARRUELA | WASHER | ARANDELA | RONDELLE |

BOMBA ALIMENTADORA E FILTRO DE COMBUSTÍVEL
LIFT PUMP AND FUEL OIL FILTER
BOMBA DE ALIMENTACIÓN Y FILTRO DE COMBUSTIBLE
POMPE D'ALIMENTATION ET FILTRE DE COMBUSTIBLE

GRUPO
GROUP
GRUPO
GROUPE

42/39



BOMBA ALIMENTADORA DE COMBUSTÍVEL
LIFT PUMP OIL FILTER
BOMBA DE ALIMENTACIÓN DE COMBUSTIBLE
POMPE D'ALIMENTATION DE COMBUSTIBLE

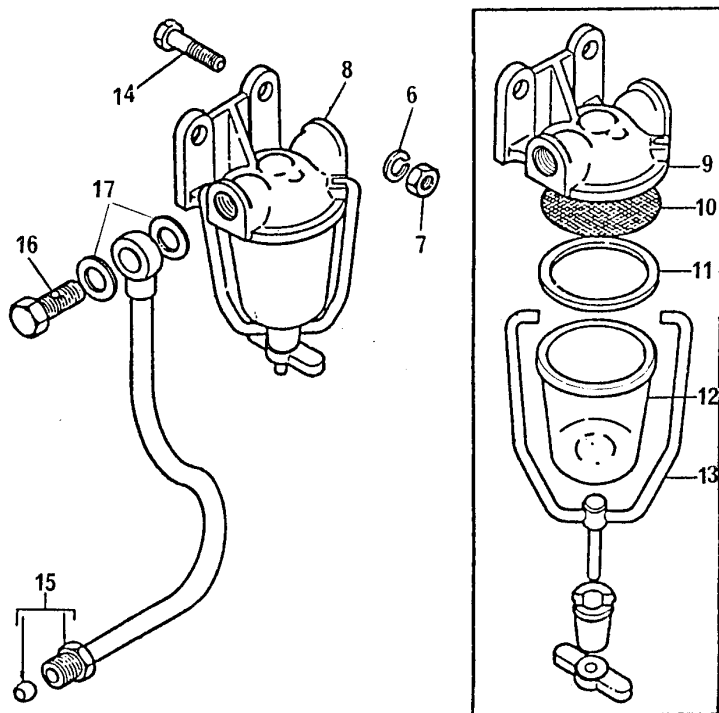
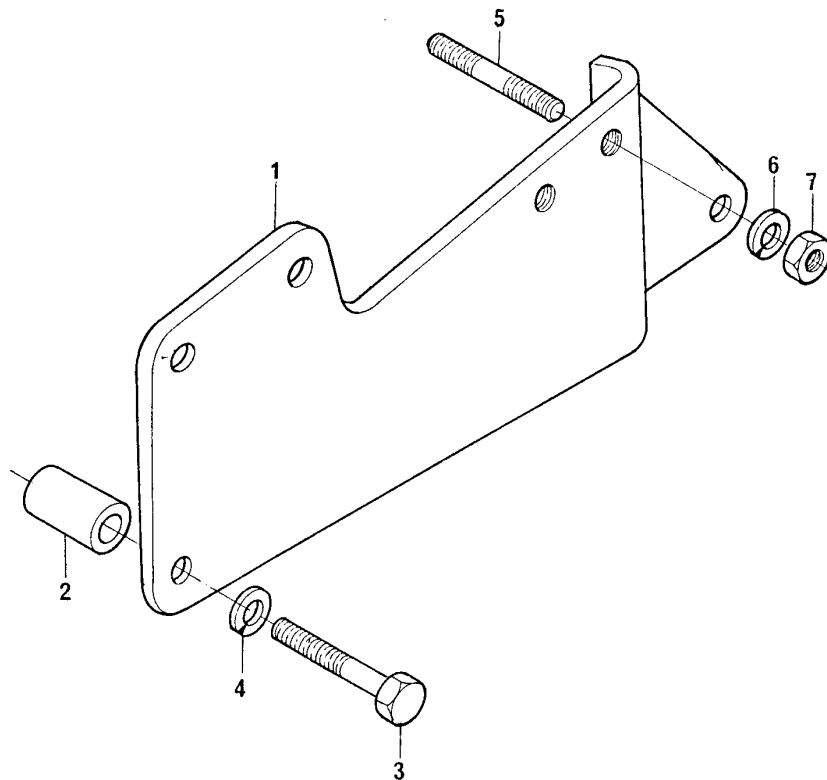
GRUPO
GROUP **42/39**
GRUPO
GROUPE

| | | | | | | |
|---|----------|-------------|----------------------|------------|------------------|----------------|
| 1 | 72095 | | 1 BOMBA ALIMENTADORA | LIFT PUMP | BOMBA | POMPE |
| 2 | 70490316 | ●○ 36851113 | 1 JUNTA | JOINT | JUNTA | JOINT |
| 3 | 0826222 | | 4 PRISIONEIRO | STUD | ESPÁRRAGO | GOUJON |
| 4 | 33221115 | | 4 PORCA | NUT | TUERCA | ÉCROU |
| 5 | 26410009 | 1 | 1 JOGO DE REPARO | REPAIR KIT | JUEGO REPARACIÓN | JEU RÉPARATION |
| 6 | 36241316 | | 2 ARRUELA TRAVA | TABWASHER | ARANDELA | RONDELLE |

FILTROS DE ÓLEO COMBUSTÍVEL
FUEL OIL FILTER
FILTROS DE ACEITE COMBUSTIBLE
FILTRES À HUILE COMBUSTIBLE

GRUPO
GROUP
GRUPO
GROUPE

42/39



FILTROS DE ÓLEO COMBUSTÍVEL
FUEL OIL FILTER
FILTROS DE ACEITE COMBUSTÍVEL
FILTRES À HUILE COMBUSTIBLE

GRUPO
GROUP
GRUPO
GROUPE

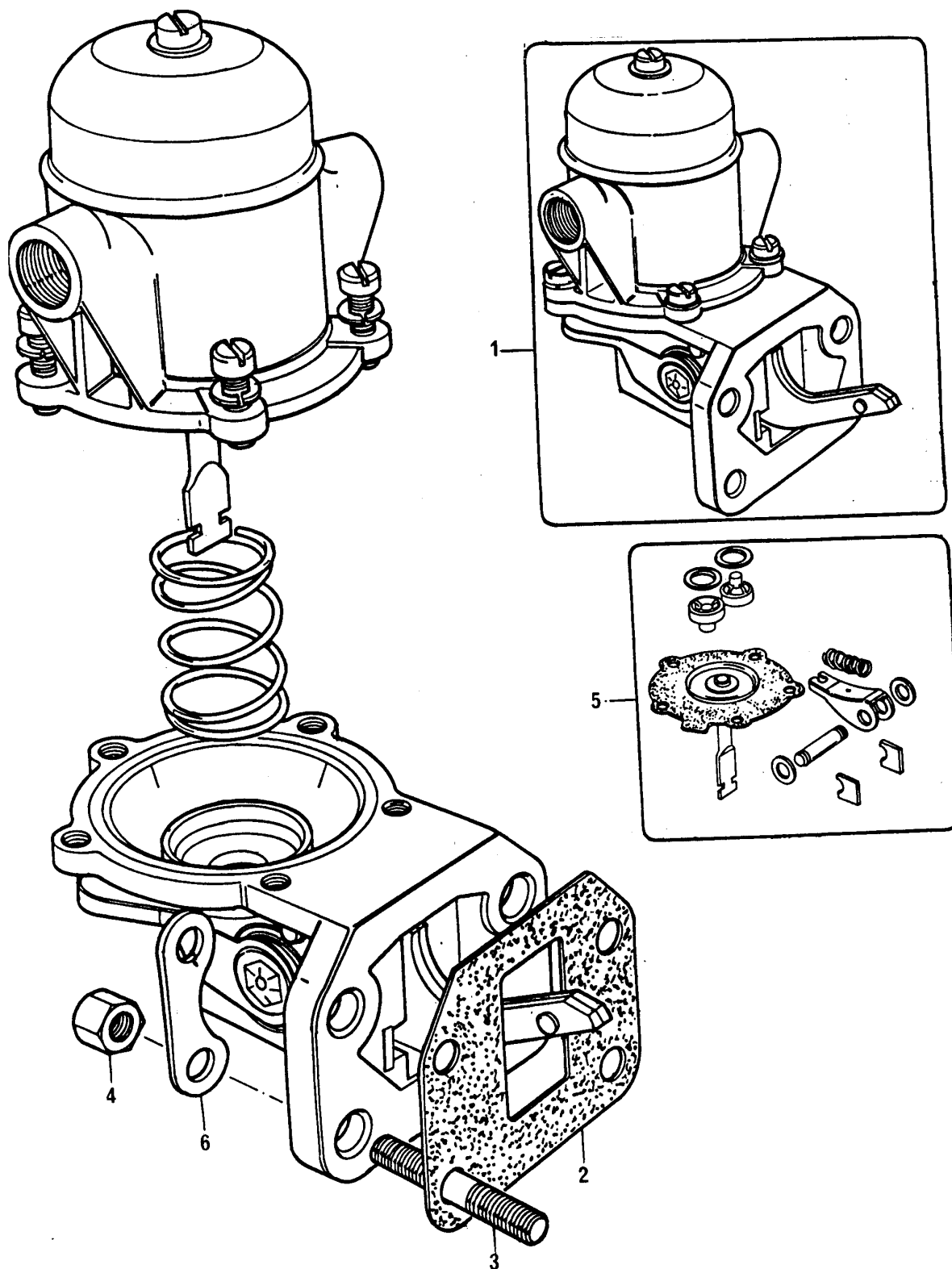
42/39

| | | | | | | | |
|----|----------|---|---|-----------------|-------------|----------------|-----------------|
| 1 | 70100345 | | 1 | SUPOORTE | BRACKET | SOPORTE | SUPPORT |
| 2 | 70760024 | | 2 | ESPAÇADOR | SPACER | ESPAÇADOR | ENTRETOISE |
| 3 | 0096437 | | 2 | PARAFUSO | BOLT | TORNILLO | VIS |
| 4 | 0920054 | | 2 | ARRUELA | WASHER | ARANDELA | RONDELLE |
| 5 | 70820084 | | 1 | PRISIONEIRO | STUD | ESPÁRRAGO | GOUJON |
| 6 | 0920053 | | 3 | ARRUELA | WASHER | ARANDELA | RONDELLE |
| 7 | 0576002 | | 3 | PORCA | NUT | TUERCA | ÉCROU |
| 8 | 70990177 | | 1 | PRÉ-FILTRO | PRE-FILTER | PRÉ-FILTRO | PRÉFILTRE |
| 9 | 70997010 | 8 | 1 | CABEÇOTE FILTRO | FILTER HEAD | CABEZA FILTRO | TETE DE FILTRE |
| 10 | 70997006 | 8 | 1 | TELA | STRAINER | COLADOR | CRÉPINE |
| 11 | 70997005 | 8 | 1 | JUNTA | JOINT | JUNTA | JOINT |
| 12 | 0995260 | 8 | 1 | COPO | GLASS | VASO | BOL |
| 13 | 70997075 | 8 | 1 | ALÇA DO COPO | STIRRUP | SUJETADOR | SUPPORT DE CUVE |
| 14 | 0746255 | 8 | 2 | PARAFUSO | BOLT | TORNILLO | VIS |
| 15 | 70991079 | | 1 | TUBO | PIPE | CAÑO | TUYAUTERIE |
| 16 | 70740343 | | 1 | PARAFUSO BANJO | BANJO BOLT | TORNILLO BANJO | VIS BANJO |
| 17 | 70920115 | | 2 | ARRUELA | WASHER | ARANDELA | RONDELLE |

BOMBA ALIMENTADORA E FILTRO DE COMBUSTÍVEL
LIFT PUMP AND FUEL OIL FILTER
BOMBA DE ALIMENTACIÓN Y FILTRO DE COMBUSTIBLE
POMPE D'ALIMENTATION ET FILTRE DE COMBUSTIBLE


GRUPO
GROUP
GRUPO
GROUPE

42/60



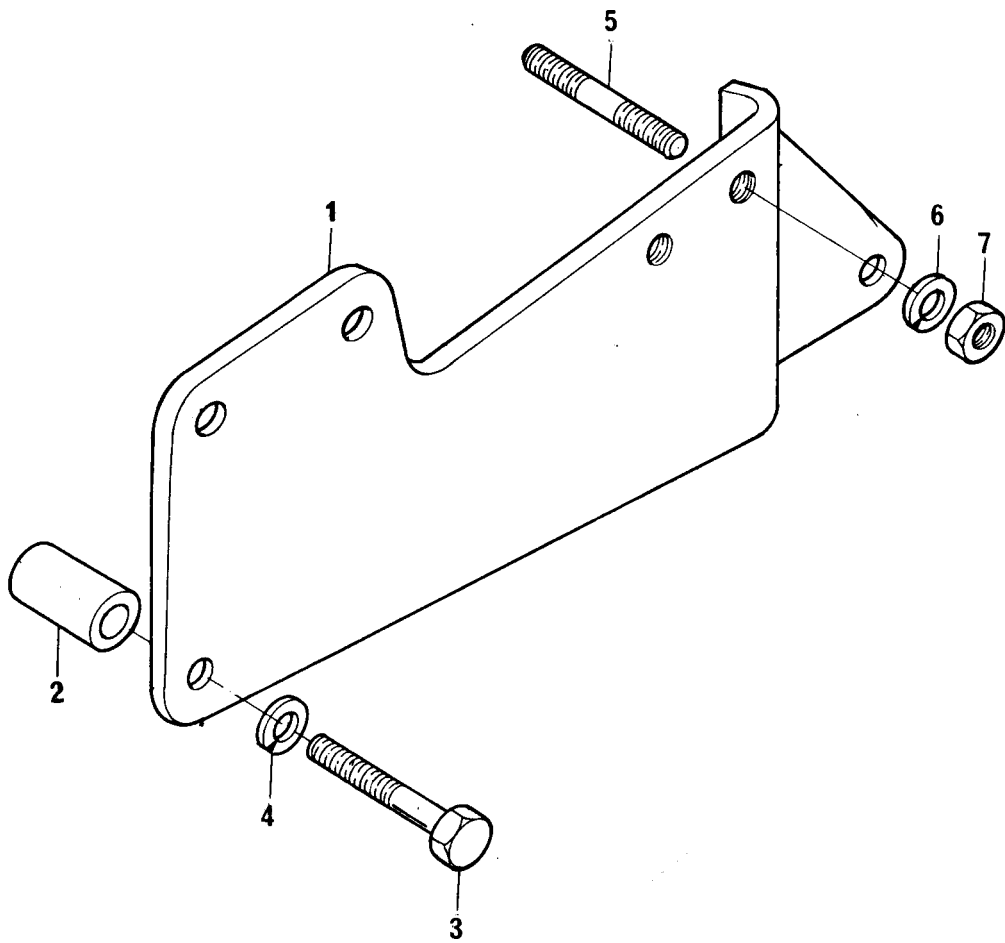
BOMBA ALIMENTADORA DE COMBUSTÍVEL
LIFT PUMP OIL FILTER
BOMBA DE ALIMENTACIÓN DE COMBUSTIBLE
POMPE D'ALIMENTATION DE COMBUSTIBLE

GRUPO
GROUP **42/60**
GRUPO
GROUPE

| | | | | | | |
|---|----------|--|----------------------|------------|------------------|----------------|
| 1 | 72095 | | 1 BOMBA ALIMENTADORA | LIFT PUMP | BOMBA | POMPE |
| 2 | 70490316 |  36851113 | 1 JUNTA | JOINT | JUNTA | JOINT |
| 3 | 0826222 | | 4 PRISIONEIRO | STUD | ESPÁRRAGO | GOUJON |
| 4 | 33221115 | | 4 PORCA | NUT | TUERCA | ÉCROU |
| 5 | 26410009 | 1 | 1 JOGO DE REPARO | REPAIR KIT | JUEGO REPARACIÓN | JEU RÉPARATION |
| 6 | 36241316 | | 2 ARRUELA TRAVA | TABWASHER | ARANDELA | RONDELLE |

FILTROS DE ÓLEO COMBUSTÍVEL
FUEL OIL FILTER
FILTROS DE ACEITE COMBUSTIBLE
FILTRES À HUILE COMBUSTIBLE

GRUPO
GROUP 42/60
GRUPO
GROUPE



FILTROS DE ÓLEO COMBUSTÍVEL
FUEL OIL FILTER
FILTROS DE ACEITE COMBUSTÍVEL
FILTRES À HUILE COMBUSTIBLE

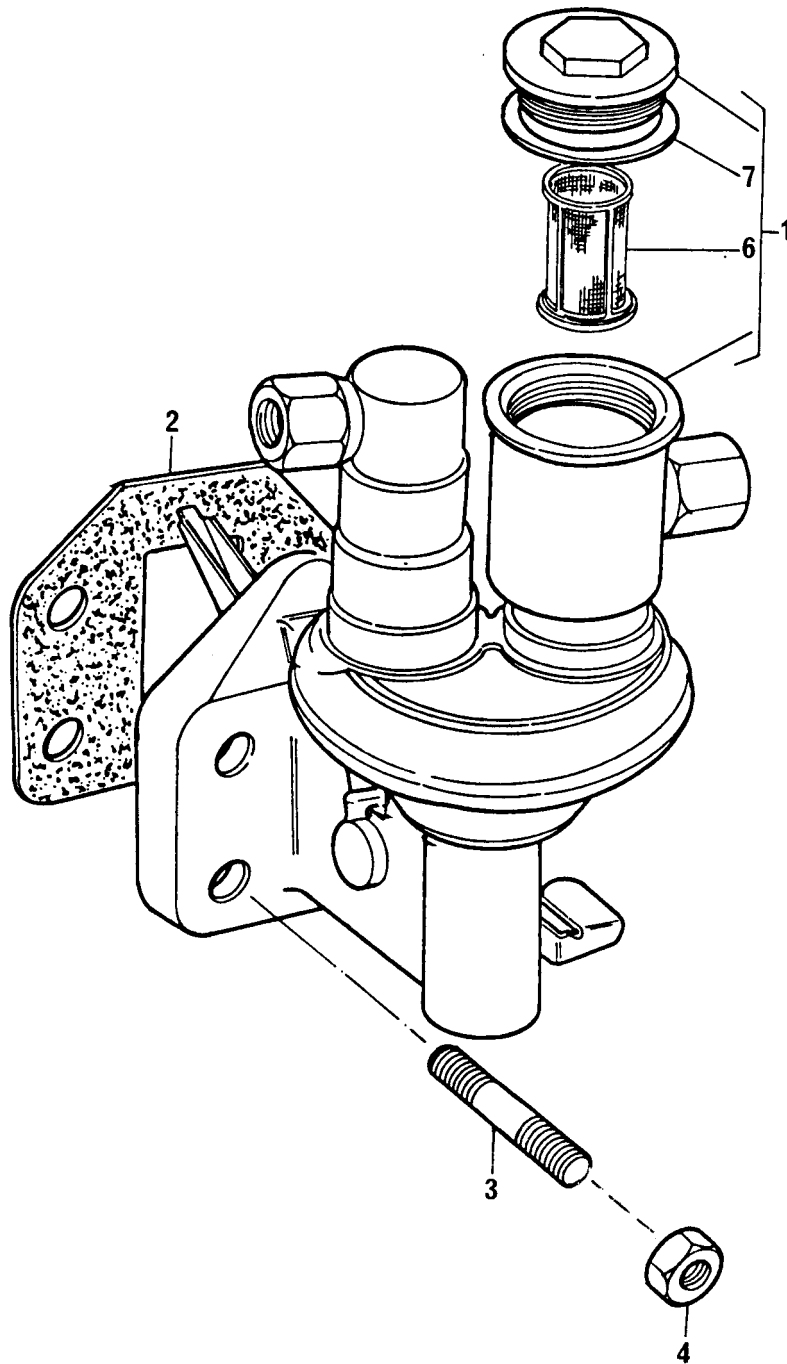
GRUPO
GROUP 42/60
GRUPO
GROUPE

| | | | | | | |
|---|----------|---|-------------|---------|------------|------------|
| 1 | 70100390 | 1 | SUPORE | BRACKET | SOPORTE | SUPPORT |
| 2 | 70760024 | 2 | ESPAÇADOR | SPACER | ESPACIADOR | ENTRETOISE |
| 3 | 0096437 | 2 | PARAFUSO | BOLT | TORNILLO | VIS |
| 4 | 0920054 | 2 | ARRUELA | WASHER | ARANDELA | RONDELLE |
| 5 | 0826222 | 1 | PRISIONEIRO | STUD | ESPÁRRAGO | GOJON |
| 6 | 0920053 | 1 | ARRUELA | WASHER | ARANDELA | RONDELLE |
| 7 | 0576002 | 1 | PORCA | NUT | TUERCA | ÉCROU |

BOMBA ALIMENTADORA E FILTRO DE COMBUSTÍVEL
LIFT PUMP AND FUEL OIL FILTER
BOMBA DE ALIMENTACIÓN Y FILTRO DE COMBUSTIBLE
POMPE D'ALIMENTATION ET FILTRE DE COMBUSTIBLE

GRUPO
GROUP
GRUPO
GROUPE

42/94



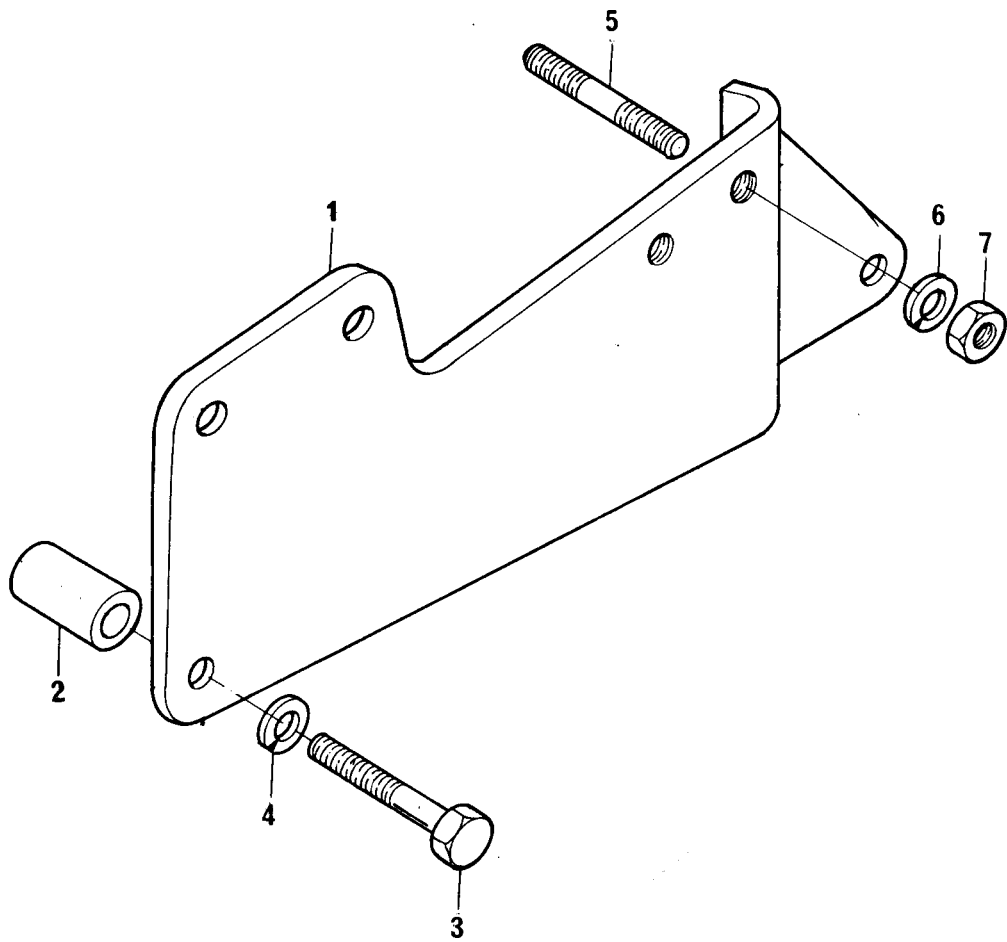
BOMBA ALIMENTADORA DE COMBUSTÍVEL
LIFT PUMP OIL FILTER
BOMBA DE ALIMENTACIÓN DE COMBUSTIBLE
POMPE D'ALIMENTATION DE COMBUSTIBLE

GRUPO
GROUP 42/94
GRUPO
GROUPE

| | | | | | | |
|---|----------|--|----------------------|-----------|-----------|--------|
| 1 | 72088 | | 1 BOMBA ALIMENTADORA | LIFT PUMP | BOMBA | POMPE |
| 2 | 70490333 |  36856102 | 1 JUNTA | JOINT | JUNTA | JOINT |
| 3 | 70820084 | | 4 PRISIONEIRO | STUD | ESPÁRRAGO | GOUJON |
| 4 | 70570073 |  33221115 | 4 PORCA | NUT | TUERCA | ÉCROU |
| 6 | 70800016 | 1 | 1 FILTRO | FILTER | FILTRO | FILTRE |
| 7 | 70490182 | 1 | 1 JUNTA | JOINT | JUNTA | JOINT |

FILTROS DE ÓLEO COMBUSTÍVEL
FUEL OIL FILTER
FILTROS DE ACEITE COMBUSTIBLE
FILTRES À HUILE COMBUSTIBLE

GRUPO
GROUP 42/94
GRUPO
GROUPE



FILTROS DE ÓLEO COMBUSTÍVEL
FUEL OIL FILTER
FILTROS DE ACEITE COMBUSTÍVEL
FILTRES À HUILE COMBUSTIBLE

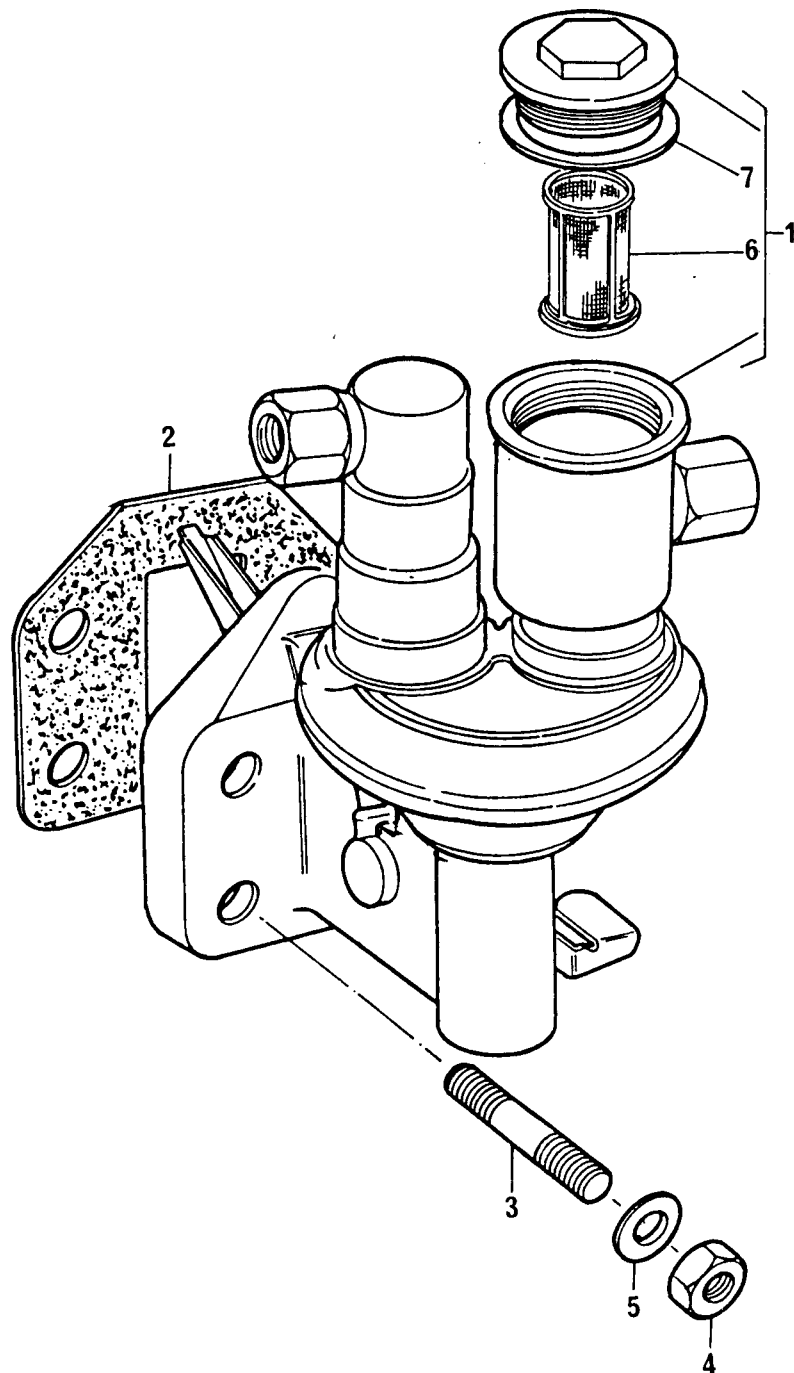
GRUPO
GROUP 42/94
GRUPO
GROUPE

| | | | | | | |
|---|----------|---|-------------|---------|------------|------------|
| 1 | 70100528 | 1 | SUPOORTE | BRACKET | SOPORTE | SUPPORT |
| 2 | 70760024 | 2 | ESPAÇADOR | SPACER | ESPACIADOR | ENTRETOISE |
| 3 | 0096437 | 2 | PARAFUSO | BOLT | TORNILLO | VIS |
| 4 | 0920054 | 2 | ARRUELA | WASHER | ARANDELA | RONDELLE |
| 5 | 0826222 | 1 | PRISIONEIRO | STUD | ESPÁRRAGO | GOJON |
| 6 | 0920053 | 1 | ARRUELA | WASHER | ARANDELA | RONDELLE |
| 7 | 0576002 | 1 | PORCA | NUT | TUERCA | ÉCROU |

BOMBA ALIMENTADORA E FILTRO DE COMBUSTÍVEL
LIFT PUMP AND FUEL OIL FILTER
BOMBA DE ALIMENTACIÓN Y FILTRO DE COMBUSTIBLE
POMPE D'ALIMENTATION ET FILTRE DE COMBUSTIBLE


GRUPO
GROUP
GRUPO
GROUPE

42/165



BOMBA ALIMENTADORA DE COMBUSTÍVEL
LIFT PUMP OIL FILTER
BOMBA DE ALIMENTACIÓN DE COMBUSTIBLE
POMPE D'ALIMENTATION DE COMBUSTIBLE

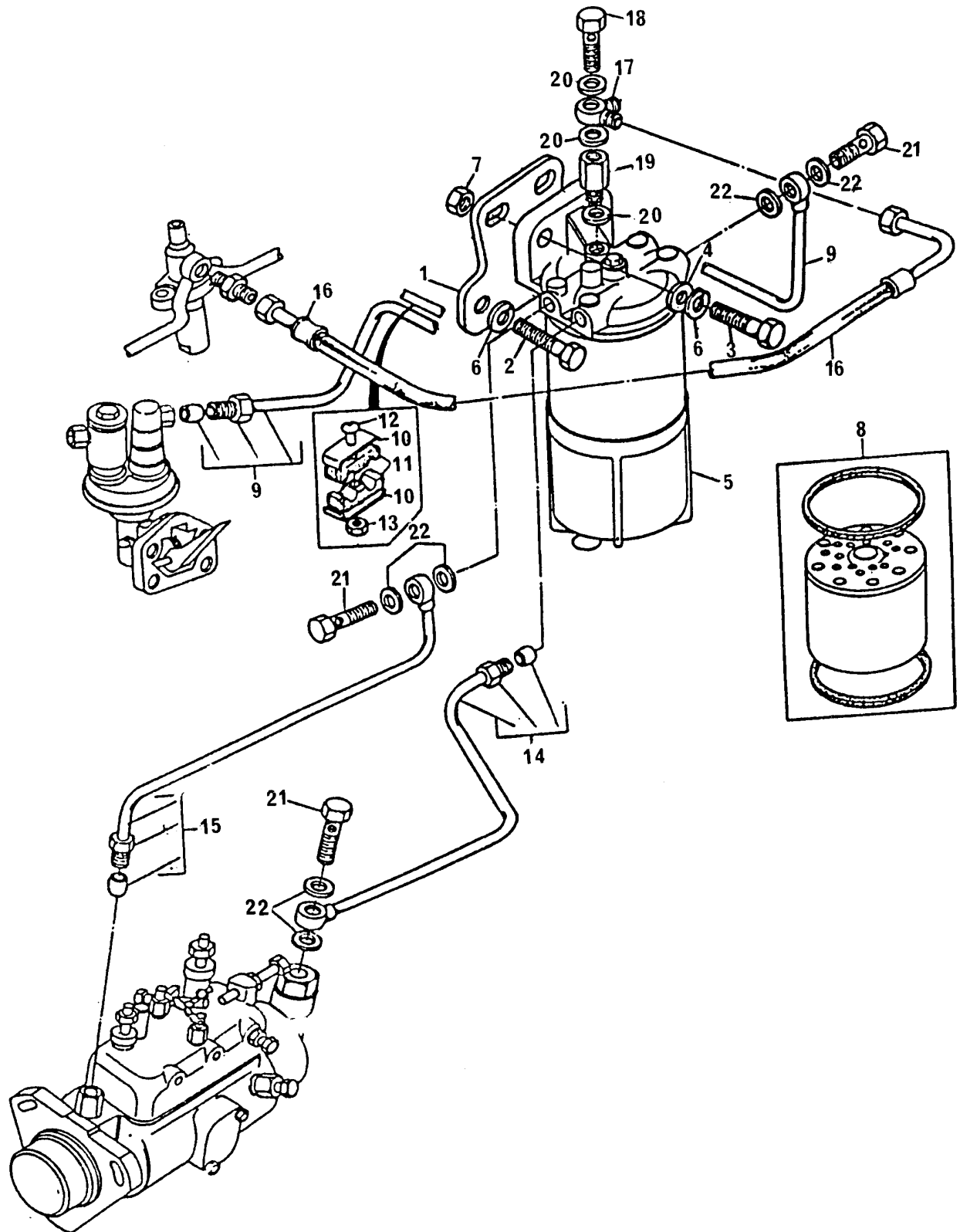
GRUPO
GROUP 42/165
GRUPO
GROUPE

| | | | | | | |
|---|----------|--|----------------------|-----------|-----------|----------|
| 1 | 72088 | | 1 BOMBA ALIMENTADORA | LIFT PUMP | BOMBA | POMPE |
| 2 | 70490333 |  36856102 | 1 JUNTA | JOINT | JUNTA | JOINT |
| 3 | 70820084 | | 4 PRISIONEIRO | STUD | ESPÁRRAGO | GOUJON |
| 4 | 33221115 | | 4 PORCA | NUT | TUERCA | ÉCROU |
| 5 | 0920003 | | 4 ARRUELA | WASHER | ARANDELA | RONDELLE |
| 6 | 70800016 | 1 | 1 PENEIRA | SCREEN | TAMIZ | TAMIS |
| 7 | 70490182 | 1 | 1 JUNTA | JOINT | JUNTA | JOINT |

FILTROS DE ÓLEO COMBUSTÍVEL
FUEL OIL FILTER
FILTROS DE ACEITE COMBUSTIBLE
FILTRES À HUILE COMBUSTIBLE

GRUPO
GROUP
GRUPO
GROUPE

42/165



FILTROS DE ÓLEO COMBUSTÍVEL
FUEL OIL FILTER
FILTROS DE ACEITE COMBUSTIBLE
FILTRES À HUILE COMBUSTIBLE

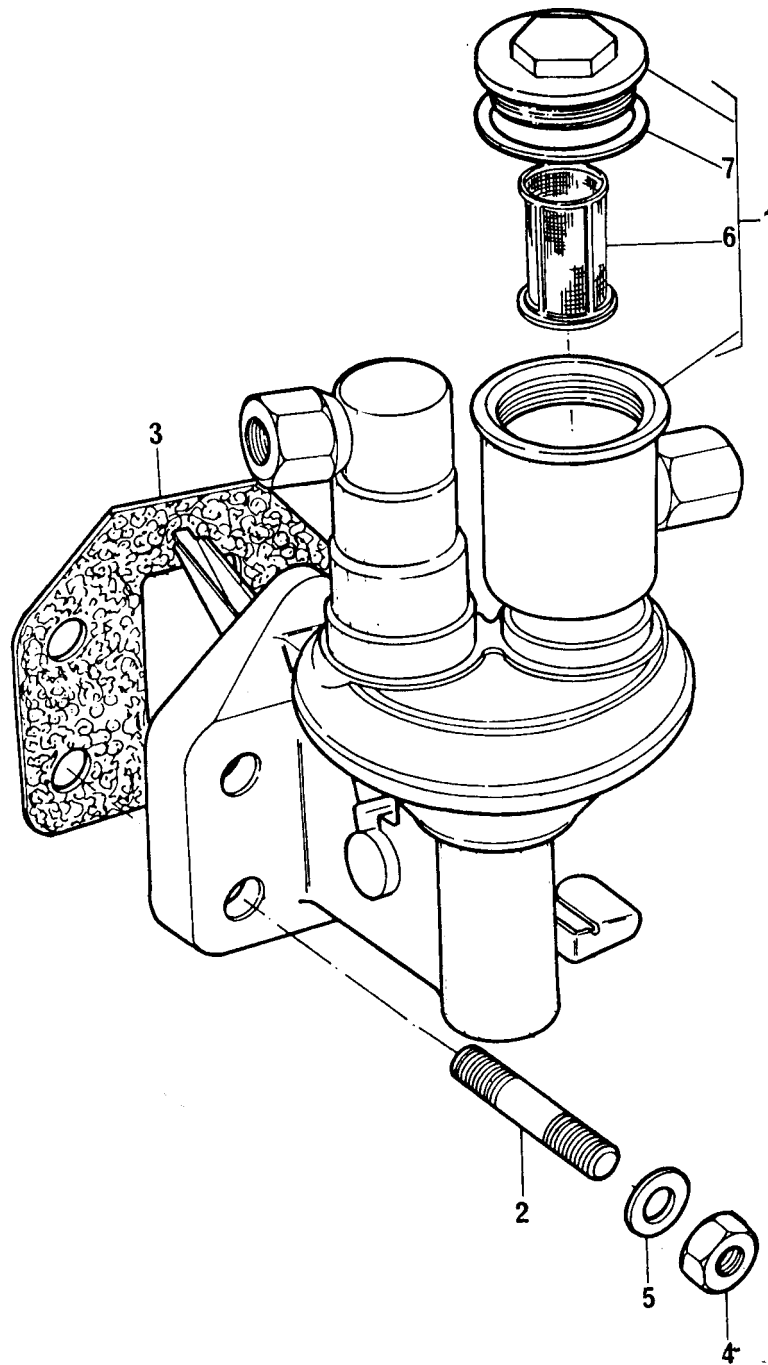
GRUPO
GROUP 42/165
GRUPO
GROUPE

| | | | | | | |
|----|----------|---|------------------|------------|----------------|-------------|
| 1 | 36548441 | | 1 SUPORTE | BRACKET | SOPORTE | SUPPORT |
| 2 | 0746453 | | 2 PARAFUSO | BOLT | TORNILLO | VIS |
| 3 | 0096431 | | 2 PARAFUSO | BOLT | TORNILLO | VIS |
| 4 | 0920004 | | 2 ARRUELA | WASHER | ARANDELA | RONDELLE |
| 5 | 72032 | | 1 FILTRO | FILTER | FILTRO | FILTRE |
| 6 | 0920054 | | 4 ARRUELA | WASHER | ARANDELA | RONDELLE |
| 7 | 0576051 | | 2 PORCA | NUT | TUERCA | ÉCROU |
| 8 | 423651 | 5 | 1 ELEMENTO | ELEMENT | ELEMENTO | ÉLÉMENT |
| 9 | 70992244 | | 1 TUBO | PIPE | CAÑO | TUYAUTERIE |
| 10 | 0180637 | | 2 PRESILHA | CLIP | SUJETADOR | AGRAFE |
| 11 | 70600001 | | 2 ALMOFADA | DAMPER | AMORTIGUADOR | AMORTISSEUR |
| 12 | 0726260 | | 1 PARAFUSO | BOLT | TORNILLO | VIS |
| 13 | 70576100 | | 1 PORCA | NUT | TUERCA | ÉCROU |
| 14 | 70992246 | | 1 TUBO | PIPE | CAÑO | TUYAUTERIE |
| 15 | 70992245 | | 1 TUBO | PIPE | CAÑO | TUYAUTERIE |
| 16 | 70991114 | | 1 TUBO | PIPE | CAÑO | TUYAUTERIE |
| 17 | 0201397 | | 1 CONEXÃO BANJO | CONNECTION | CONEXIÓN | RACCORD |
| 18 | 0095344 | | 1 PARAFUSO BANJO | BANJO BOLT | TORNILLO BANJO | VIS BANJO |
| 19 | 72089 | | 1 VÁLVULA | VALVE | VÁLVULA | SOUPAPE |
| 20 | 70920120 | | 3 ARRUELA | WASHER | ARANDELA | RONDELLE |
| 21 | 70740343 | | 3 PARAFUSO BANJO | BANJO BOLT | TORNILLO BANJO | VIS BANJO |
| 22 | 70920115 | | 6 ARRUELA | WASHER | ARANDELA | RONDELLE |

BOMBA ALIMENTADORA DE COMBUSTÍVEL
LIFT PUMP OIL FILTER
BOMBA DE ALIMENTACIÓN DE COMBUSTIBLE
POMPE D'ALIMENTATION DE COMBUSTIBLE

GRUPO
GROUP
GRUPO
GROUPE

42/177



BOMBA ALIMENTADORA DE COMBUSTÍVEL
LIFT PUMP OIL FILTER
BOMBA DE ALIMENTACIÓN DE COMBUSTIBLE
POMPE D'ALIMENTATION DE COMBUSTIBLE

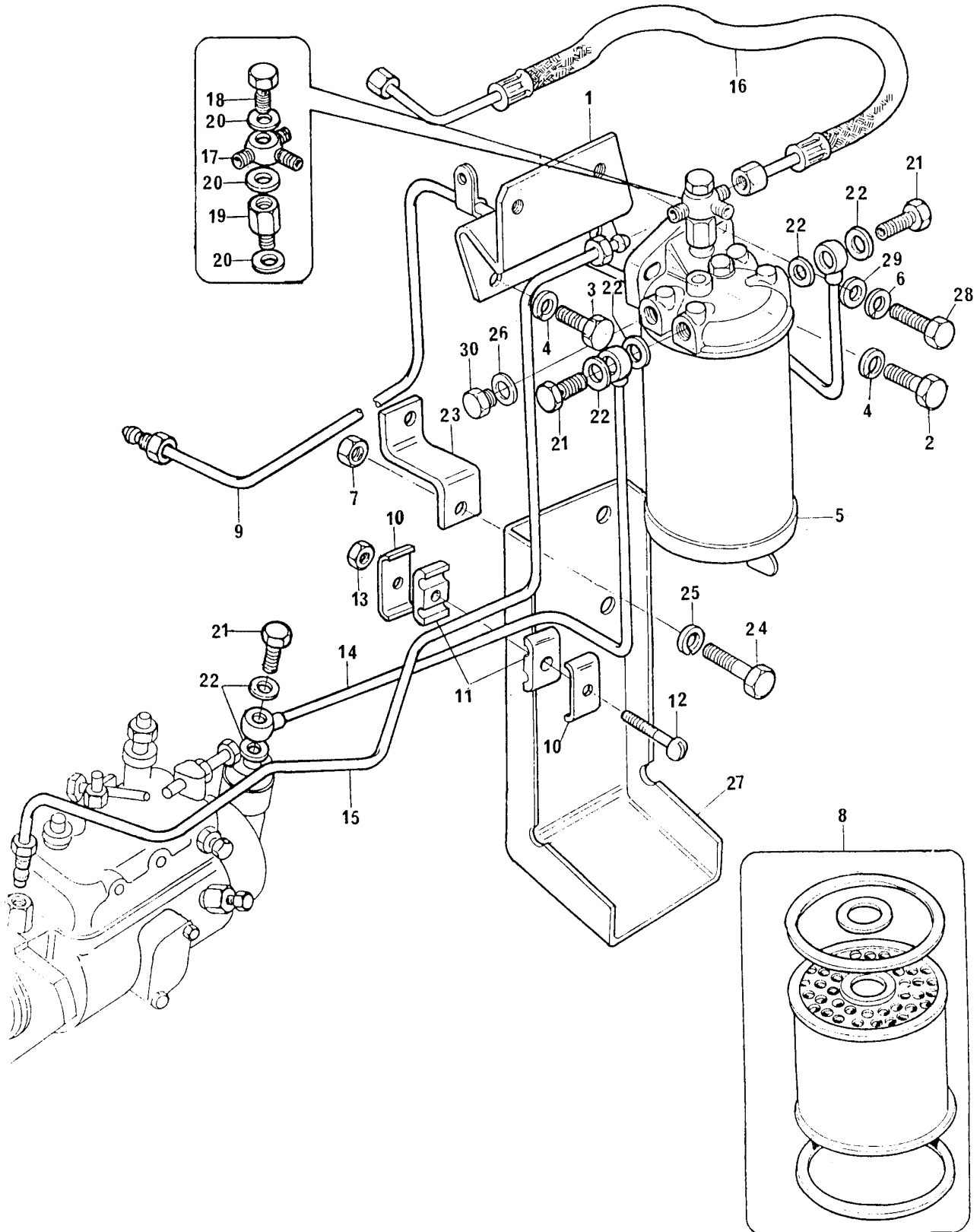
GRUPO
GROUP **42/177**
GRUPO
GROUPE

| | | | | | | |
|---|----------|-------------|----------------------|-----------|----------|----------|
| 1 | 72083 | | 1 BOMBA ALIMENTADORA | LIFT PUMP | BOMBA | POMPE |
| 2 | 70820084 | | 4 PRISIONEIRO | STUD | ESPÁRAGO | GOUJON |
| 3 | 70490333 | ●○ 36856102 | 1 JUNTA | JOINT | JUNTA | JOINT |
| 4 | 33221115 | | 4 PORCA | NUT | TUERCA | ÉCROU |
| 5 | 0920003 | | 4 ARRUELA | WASHER | ARANDELA | RONDELLE |
| 6 | 70800016 | 1 | 1 FILTRO | FILTER | FILTRO | FILTRE |
| 7 | 70490182 | 1 | 1 JUNTA | JOINT | JUNTA | JOINT |

FILTROS DE ÓLEO COMBUSTÍVEL
FUEL OIL FILTER
FILTROS DE ACEITE COMBUSTIBLE
FILTRES À HUILE COMBUSTIBLE

GRUPO
GROUP
GRUPO
GROUPE

42/177



FILTROS DE ÓLEO COMBUSTÍVEL
 FUEL OIL FILTER
 FILTROS DE ACEITE COMBUSTIBLE
 FILTRES À HUILE COMBUSTIBLE

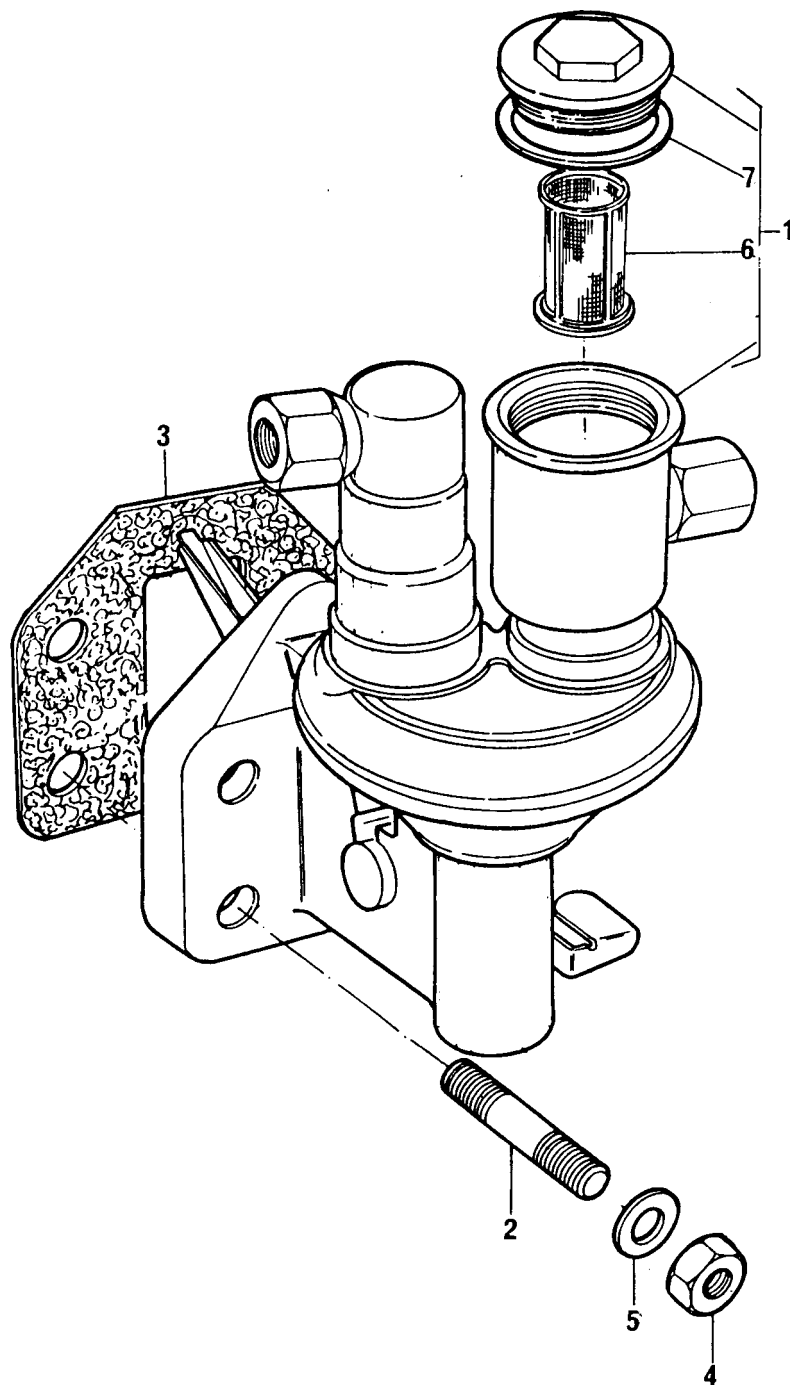
GRUPO
 GROUP 42/177
 GRUPO
 GROUPE

| | | | | | | |
|----|----------|---|------------------|------------|----------------|-------------|
| 1 | 70100627 | | 1 SUPORTE | BRACKET | SOPORTE | SUPPORT |
| 2 | 0746453 | | 1 PARAFUSO | BOLT | TORNILLO | VIS |
| 3 | 0746424 | | 1 PARAFUSO | BOLT | TORNILLO | VIS |
| 4 | 0920054 | | 2 ARRUELA | WASHER | ARANDELA | RONDELLE |
| 5 | 72044 | | 1 FILTRO | FILTER | FILTRO | FILTRE |
| 6 | 0920054 | | 2 ARRUELA | WASHER | ARANDELA | RONDELLE |
| 7 | 0576002 | | 1 PORCA | NUT | TUERCA | ÉCROU |
| 8 | 423651 | 5 | 1 ELEMENTO | ELEMENT | ELEMENTO | ÉLÉMENT |
| 9 | 70992386 | | 1 TUBO | PIPE | CAÑO | TUYAUTERIE |
| 10 | 0180637 | | 2 PRESILHA | CLIP | SUJETADOR | AGRAFE |
| 11 | 70600001 | | 2 ALMOFADA | DAMPER | AMORTIGUADOR | AMORTISSEUR |
| 12 | 0726260 | | 1 PARAFUSO | BOLT | TORNILLO | VIS |
| 13 | 70576100 | | 1 PORCA | NUT | TUERCA | ÉCROU |
| 14 | 70992387 | | 1 TUBO | PIPE | CAÑO | TUYAUTERIE |
| 15 | 70992579 | | 1 TUBO | PIPE | CAÑO | TUYAUTERIE |
| 16 | 70991114 | | 1 TUBO FLEXÍVEL | PIPE | CAÑO | TUYAUTERIE |
| 17 | 70200458 | | 1 CONEXÃO "T" | "T" UNION | CONEXIÓN "T" | RACCORD "T" |
| 18 | 0095344 | | 1 PARAFUSO BANJO | BANJO BOLT | TORNILLO BANJO | VIS BANJO |
| 19 | 72089 | | 1 VÁLVULA | VALVE | VÁLVULA | SOUPAPE |
| 20 | 70920120 | | 3 ARRUELA | WASHER | ARANDELA | RONDELLE |
| 21 | 70740343 | | 3 PARAFUSO BANJO | BANJO BOLT | TORNILLO BANJO | VIS BANJO |
| 22 | 70920115 | | 6 ARRUELA | WASHER | ARANDELA | RONDELLE |
| 23 | 70100624 | | 1 TIRANTE | ROD | VARILLA | TIGE |
| 24 | 0746253 | | 1 PARAFUSO | BOLT | TORNILLO | VIS |
| 25 | 0920053 | | 1 ARRUELA | BOLT | TORNILLO | VIS |
| 26 | 70920115 | | 1 ARRUELA | WASHER | ARANDELA | RONDELLE |
| 27 | 70950027 | | 1 DEFLECTOR | DEFLECTOR | DEFLECTOR | DÉFLECTEUR |
| 28 | 0096431 | | 2 PARAFUSO | BOLT | TORNILLO | VIS |
| 29 | 0920004 | | 2 ARRUELA | WASHER | ARANDELA | RONDELLE |
| 30 | 70650115 | | 1 BUJÃO | PLUG | TAPÓN | BOUCHON |

BOMBA ALIMENTADORA DE COMBUSTÍVEL
LIFT PUMP OIL FILTER
BOMBA DE ALIMENTACIÓN DE COMBUSTIBLE
POMPE D'ALIMENTATION DE COMBUSTIBLE

GRUPO
GROUP
GRUPO
GROUPE

42/197



BOMBA ALIMENTADORA DE COMBUSTÍVEL
LIFT PUMP OIL FILTER
BOMBA DE ALIMENTACIÓN DE COMBUSTIBLE
POMPE D'ALIMENTATION DE COMBUSTIBLE

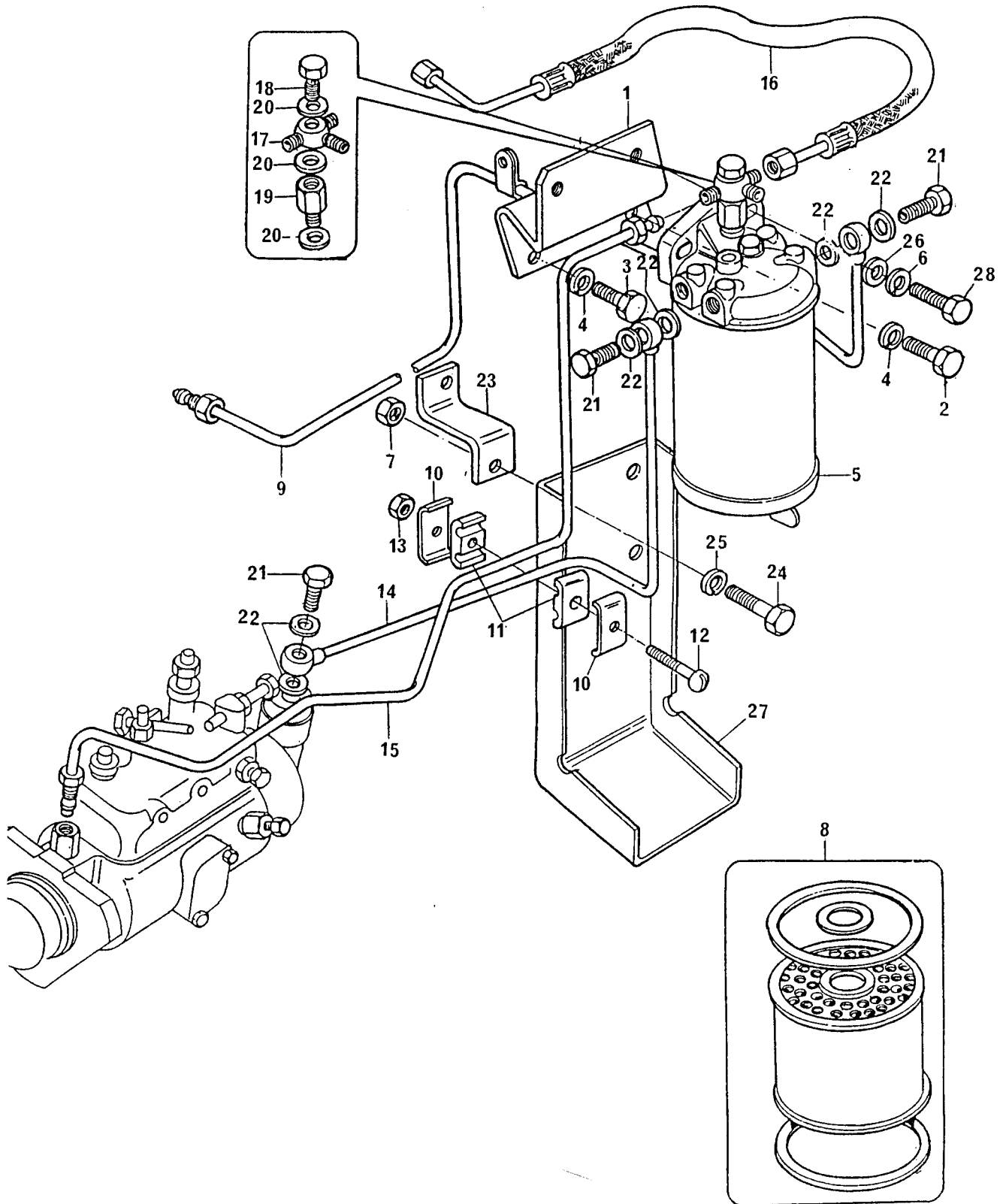
GRUPO
GROUP **42/197**
GRUPO
GROUPE

| | | | | | | |
|---|----------|-------------|----------------------|-----------|-----------|----------|
| 1 | 72083 | | 1 BOMBA ALIMENTADORA | LIFT PUMP | BOMBA | POMPE |
| 2 | 70820084 | | 4 PRISIONEIRO | STUD | ESPÁRRAGO | GOUJON |
| 3 | 70490333 | ●○ 36856102 | 1 JUNTA | JOINT | JUNTA | JOINT |
| 4 | 33221115 | | 4 PORCA | NUT | TUERCA | ÉCROU |
| 5 | 0920003 | | 4 ARRUELA | WASHER | ARANDELA | RONDELLE |
| 6 | 70800016 | 1 | 1 FILTRO | FILTER | FILTRO | FILTRE |
| 7 | 70490182 | 1 | 1 JUNTA | JOINT | JUNTA | JOINT |

FILTROS DE ÓLEO COMBUSTÍVEL
FUEL OIL FILTER
FILTROS DE ACEITE COMBUSTIBLE
FILTRES À HUILE COMBUSTIBLE

GRUPO
GROUP
GRUPO
GROUPE

42/197



FILTROS DE ÓLEO COMBUSTÍVEL
 FUEL OIL FILTER
 FILTROS DE ACEITE COMBUSTIBLE
 FILTRES À HUILE COMBUSTIBLE

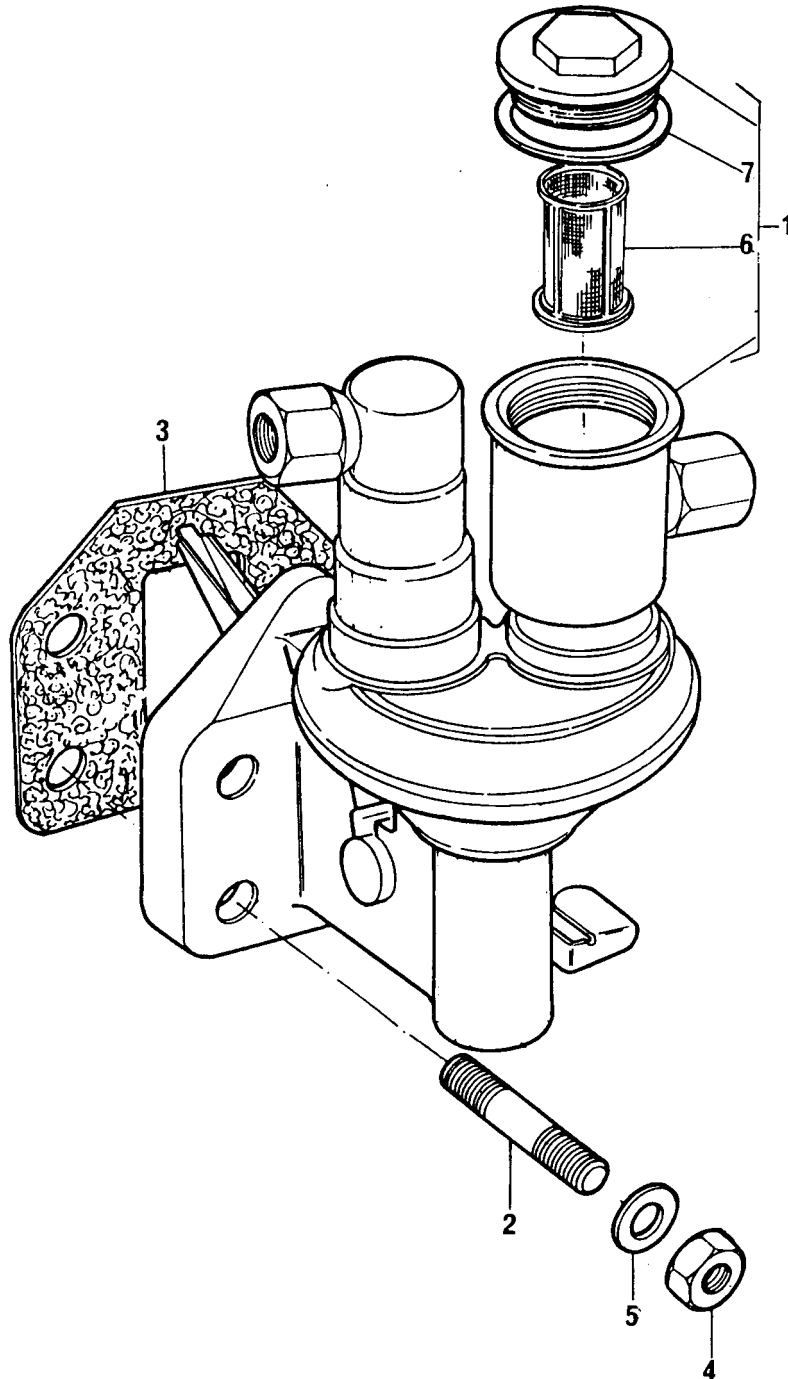
GRUPO
 GROUP 42/197
 GRUPO
 GROUPE

| | | | | | | |
|----|----------|---|------------------|------------|----------------|-------------|
| 1 | 70100627 | | 1 SUPORTE | BRACKET | SOPORTE | SUPPORT |
| 2 | 0746453 | | 1 PARAFUSO | BOLT | TORNILLO | VIS |
| 3 | 0746424 | | 1 PARAFUSO | BOLT | TORNILLO | VIS |
| 4 | 0920054 | | 2 ARRUELA | WASHER | ARANDELA | RONDELLE |
| 5 | 72044 | | 1 FILTRO | FILTER | FILTRO | FILTRE |
| 6 | 0920054 | | 2 ARRUELA | WASHER | ARANDELA | RONDELLE |
| 7 | 0576002 | | 1 PORCA | NUT | TUERCA | ÉCROU |
| 8 | 423651 | 5 | 1 ELEMENTO | ELEMENT | ELEMENTO | ÉLÉMENT |
| 9 | 70992386 | | 1 TUBO | PIPE | CAÑO | TUYAUTERIE |
| 10 | 0180637 | | 2 PRESILHA | CLIP | SUJETADOR | AGRAFE |
| 11 | 70600001 | | 2 ALMOFADA | DAMPER | AMORTIGUADOR | AMORTISSEUR |
| 12 | 0726260 | | 1 PARAFUSO | BOLT | TORNILLO | VIS |
| 13 | 70576100 | | 1 PORCA | NUT | TUERCA | ÉCROU |
| 14 | 70992387 | | 1 TUBO | PIPE | CAÑO | TUYAUTERIE |
| 15 | 70992579 | | 1 TUBO | PIPE | CAÑO | TUYAUTERIE |
| 16 | 70991114 | | 1 TUBO FLEXÍVEL | PIPE | CAÑO | TUYAUTERIE |
| 17 | 70200458 | | 1 CONEXÃO "T" | "T" UNION | CONEXIÓN "T" | RACCORD "T" |
| 18 | 0095344 | | 1 PARAFUSO BANJO | BANJO BOLT | TORNILLO BANJO | VIS BANJO |
| 19 | 72089 | | 1 VÁLVULA | VALVE | VÁLVULA | SOUPAPE |
| 20 | 70920120 | | 3 ARRUELA | WASHER | ARANDELA | RONDELLE |
| 21 | 70740343 | | 3 PARAFUSO BANJO | BANJO BOLT | TORNILLO BANJO | VIS BANJO |
| 22 | 70920115 | | 6 ARRUELA | WASHER | ARANDELA | RONDELLE |
| 23 | 70100624 | | 1 TIRANTE | ROD | VARILLA | TIGE |
| 24 | 0746253 | | 1 PARAFUSO | BOLT | TORNILLO | VIS |
| 25 | 0920053 | | 1 ARRUELA | BOLT | TORNILLO | VIS |
| 26 | 0920004 | | 2 ARRUELA | WASHER | ARANDELA | RONDELLE |
| 27 | 70950027 | | 1 DEFLETOR | DEFLECTOR | DEFLECTOR | DÉFLECTEUR |
| 28 | 0096431 | | 2 PARAFUSO | BOLT | TORNILLO | VIS |

BOMBA ALIMENTADORA DE COMBUSTÍVEL
LIFT PUMP OIL FILTER
BOMBA DE ALIMENTACIÓN DE COMBUSTIBLE
POMPE D'ALIMENTATION DE COMBUSTIBLE


GRUPO
GROUP
GRUPO
GROUPE

42/211



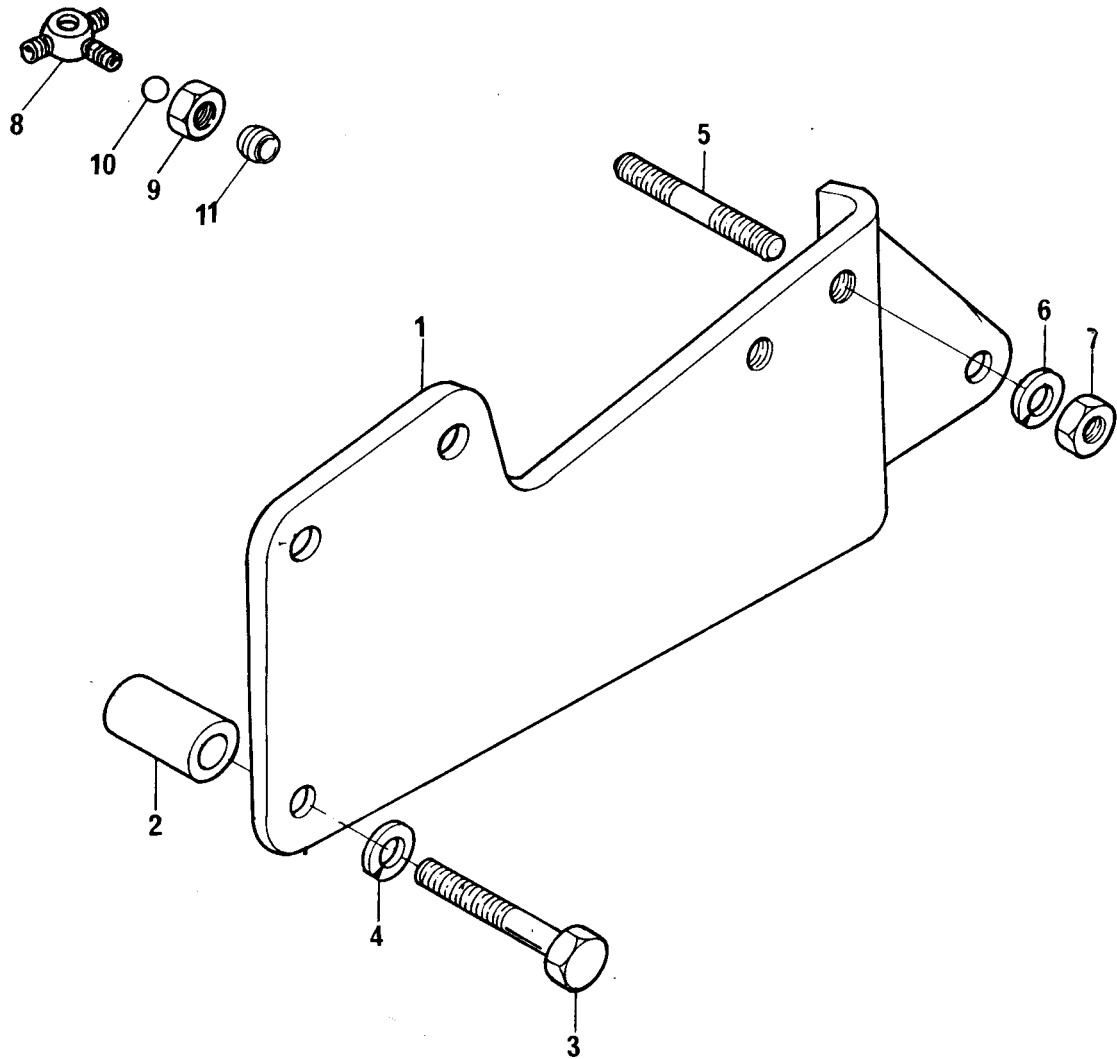
BOMBA ALIMENTADORA DE COMBUSTÍVEL
LIFT PUMP OIL FILTER
BOMBA DE ALIMENTACIÓN DE COMBUSTIBLE
POMPE D'ALIMENTATION DE COMBUSTIBLE

GRUPO
GROUP **42/211**
GRUPO
GROUPE

| | | | | | | | |
|---|----------|--|---|--------------------|-----------|-----------|----------|
| 1 | 72088 | | 1 | BOMBA ALIMENTADORA | LIFT PUMP | BOMBA | POMPE |
| 2 | 70820084 | | 4 | PRISIONEIRO | STUD | ESPÁRRAGO | GOUJON |
| 3 | 70490333 |  36856102 | 1 | JUNTA | JOINT | JUNTA | JOINT |
| 4 | 33221115 | | 4 | PORCA | NUT | TUERCA | ÉCROU |
| 5 | 0920003 | | 4 | ARRUELA | WASHER | ARANDELA | RONDELLE |
| 6 | 70800016 | 1 | 1 | FILTRO | FILTER | FILTRO | FILTRE |
| 7 | 70490182 | 1 | 1 | JUNTA | JOINT | JUNTA | JOINT |

FILTROS DE ÓLEO COMBUSTÍVEL
FUEL OIL FILTER
FILTROS DE ACEITE COMBUSTIBLE
FILTRES À HUILE COMBUSTIBLE

GRUPO
GROUP 42/211
GRUPO
GROUPE



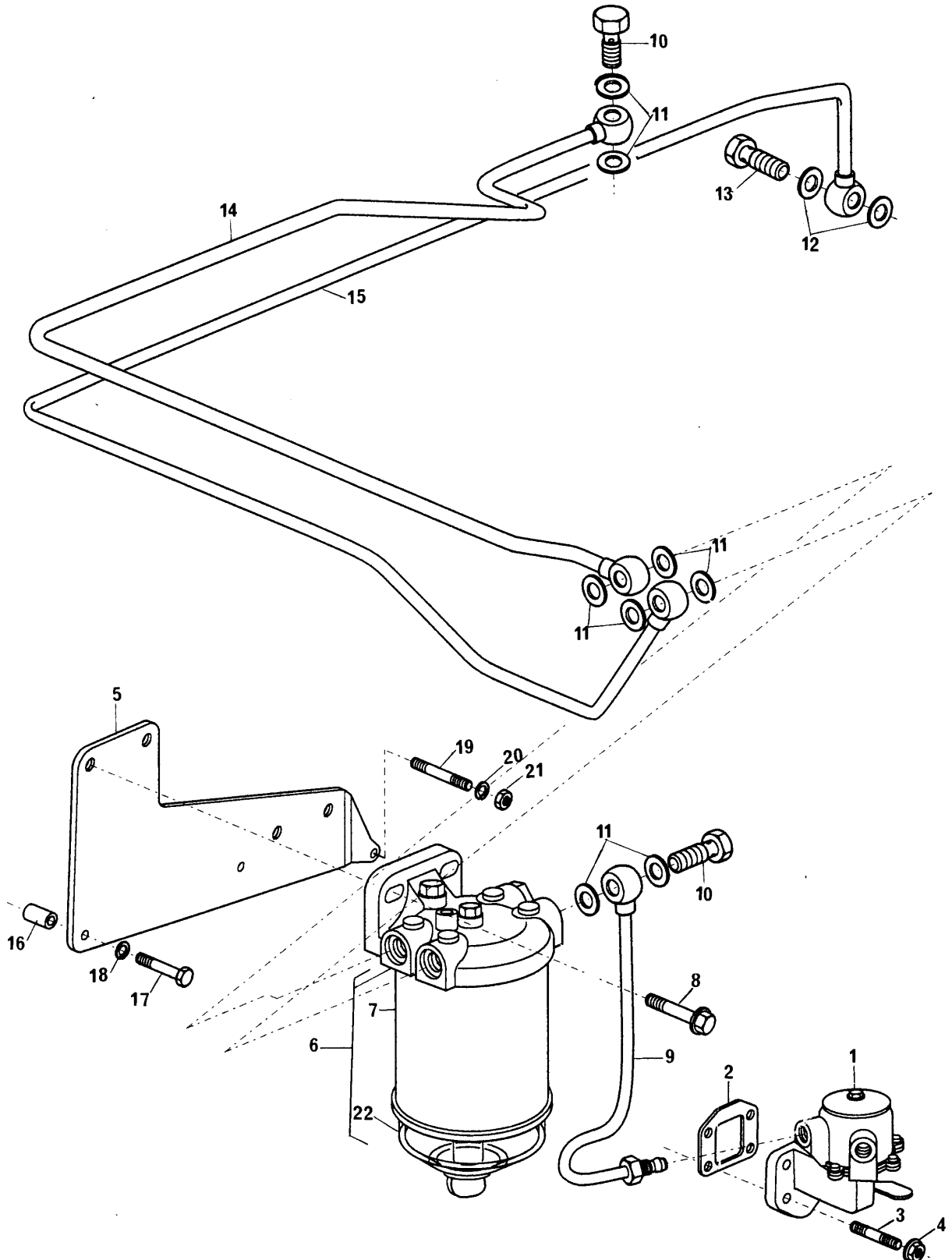
FILTROS DE ÓLEO COMBUSTÍVEL
FUEL OIL FILTER
FILTROS DE ACEITE COMBUSTÍVEL
FILTRES À HUILE COMBUSTIBLE

GRUPO
GROUP 42/211
GRUPO
GROUPE

| | | | | | | |
|----|----------|---|-------------|------------|------------|------------|
| 1 | 70100528 | 1 | SUPOORTE | BRACKET | SOPORTE | SUPPORT |
| 2 | 70760024 | 2 | ESPAÇADOR | SPACER | ESPACIADOR | ENTRETOISE |
| 3 | 0096437 | 2 | PARAFUSO | BOLT | TORNILLO | VIS |
| 4 | 0920054 | 2 | ARRUELA | WASHER | ARANDELA | RONDELLE |
| 5 | 0826222 | 1 | PRISIONEIRO | STUD | ESPÁRRAGO | GOUJON |
| 6 | 0920053 | 1 | ARRUELA | WASHER | ARANDELA | RONDELLE |
| 7 | 0576002 | 1 | PORCA | NUT | TUERCA | ÉCROU |
| 8 | 70200458 | 1 | CONEXÃO "T" | CONNECTION | CONEXIÓN | RACCORD |
| 9 | 0576113 | 2 | PORCA | NUT | TUERCA | ÉCROU |
| 10 | 0020007 | 1 | ESFERA | BALL | BOLA | BILLE |
| 11 | 0566004 | 1 | OLIVA | OLIVE | OLIVA | OLIVE |

BOMBA ALIMENTADORA E FILTRO DE COMBUSTÍVEL
LIFT PUMP AND FUEL OIL FILTER
BOMBA DE ALIMENTACIÓN Y FILTRO DE COMBUSTIBLE
POMPE D'ALIMENTATION ET FILTRE DE COMBUSTIBLE

GRUPO
GROUP 42/271
GRUPO
GROUPE



BOMBA ALIMENTADORA E FILTRO DE COMBUSTÍVEL
LIFT PUMP AND FUEL OIL FILTER
BOMBA DE ALIMENTACIÓN Y FILTRO DE COMBUSTIBLE
POMPE D'ALIMENTATION ET FILTRE DE COMBUSTIBLE

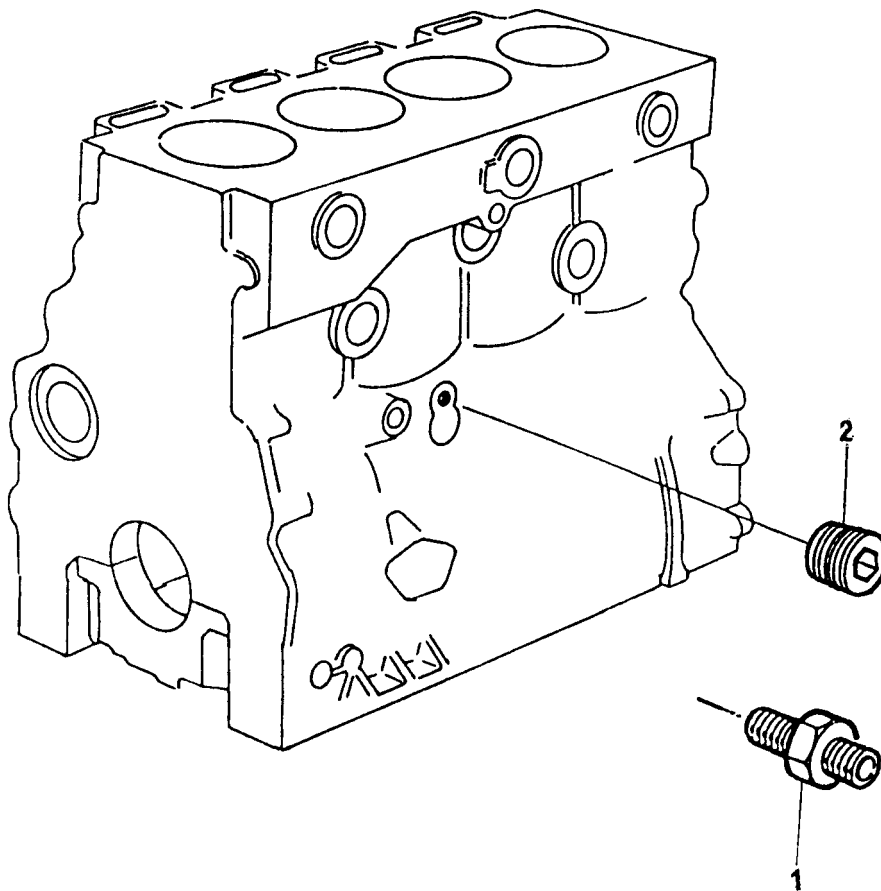
GRUPO
GROUP 42/271
GRUPO
GROUPE

| | | | | | | |
|----|----------|---|----------------------|------------|----------------|------------|
| 1 | 72111 | | 1 BOMBA ALIMENTADORA | LIFT PUMP | BOMBA | POMPE |
| 2 | 70490333 | | 1 JUNTA | JOINT | JUNTA | JOINT |
| 3 | 70820083 | | 4 PRISIONEIRO | STUD | ESPÁRRAGO | GOUJON |
| 4 | 70570073 | | 4 PORCA | NUT | TUERCA | ÉCROU |
| 5 | 70100814 | | 1 SUPORTE | BRACKET | SOPORTE | SUPPORT |
| 6 | 72130 | | 1 FILTRO | FILTER | FILTRO | FILTRE |
| 7 | 423651 | 6 | 1 ELEMENTO | ELEMENT | ELEMENTO | ELEMENT |
| 8 | 70740178 | | 2 PARAFUSO | BOLT | TORNILLO | VIS |
| 9 | 70998197 | | 1 TUBO | PIPE | CAÑO | TUYAUTERIE |
| 10 | 70740343 | | 4 PARAFUSO BANJO | BANJO BOLT | TORNILLO BANJO | VIS BANJO |
| 11 | 70920115 | | 10 ARRUELA | WASHER | ARANDELA | RONDELLE |
| 12 | 70920120 | | 2 ARRUELA | WASHER | ARANDELA | RONDELLE |
| 13 | 70740740 | | 1 PARAFUSO BANJO | BANJO BOLT | TORNILLO BANJO | VIS BANJO |
| 14 | 70998198 | | 1 TUBO | PIPE | CAÑO | TUYAUTERIE |
| 15 | 70993430 | | 1 TUBO | PIPE | CAÑO | TUYAUTERIE |
| 16 | 70760024 | | 1 ESPAÇADOR | SPACER | ESPACIADOR | ENTRETOISE |
| 17 | 0096437 | | 2 PARAFUSO | BOLT | TORNILLO | VIS |
| 18 | 0920054 | | 2 ARRUELA | WASHER | ARANDELA | RONDELLE |
| 19 | 0826222 | | 1 PRISIONEIRO | STUD | ESPÁRRAGO | GOUJON |
| 20 | 0920053 | | 1 ARRUELA | WASHER | ARANDELA | RONDELLE |
| 21 | 0576002 | | 1 PORCA | NUT | TUERCA | ÉCROU |
| 22 | 70840054 | 6 | 1 COPO | GLASS | VASO | BOL |

TOMADA PARA MANOMETRO DE ÓLEO
OIL PRESSURE GAUGE FITTING
TOMA PARA MANOMETRO DE ACEITE
PRISE POUR MANOMETRE D'HUILE


GRUPO
GROUP
GRUPO
GROUPE

43/16



TOMADA PARA MANOMETRO DE ÓLEO
OIL PRESSURE GAUGE FITTING
TOMA PARA MANOMETRO DE ACEITE
PRISE POUR MANOMETRE D'HUILE

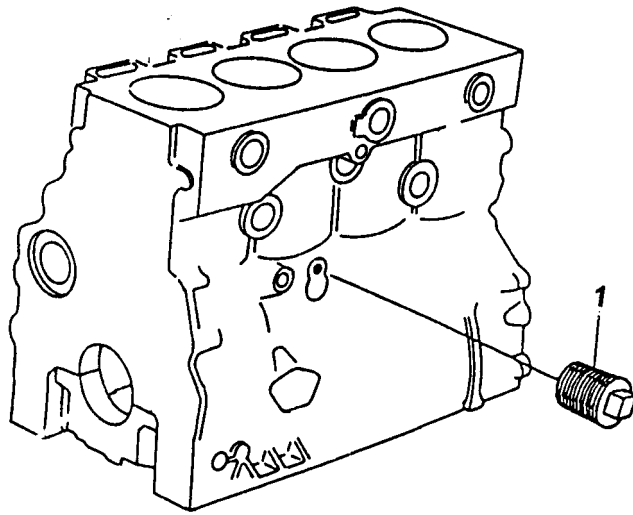
GRUPO
GROUP 43/16
GRUPO
GROUPE

| | | | | | | | |
|---|----------|---|-----------|------------|----------|---------|---------|
| 1 | 70200655 | | 1 CONEXÃO | CONNECTION | CONEXIÓN | RACCORD | |
| 2 | 70650083 |  | 70650014 | 1 BUJÃO | PLUG | TAPÓN | BOUCHON |

TOMADA PARA MANOMETRO DE ÓLEO
OIL PRESSURE GAUGE FITTING
TOMA PARA MANOMETRO DE ACEITE
PRISE POUR MANOMETRE D'HUILE

GRUPO
GROUP
GRUPO
GROUPE

43/17



TOMADA PARA MANOMETRO DE ÓLEO
OIL PRESSURE GAUGE FITTING
TOMA PARA MANOMETRO DE ACEITE
PRISE POUR MANOMETRE D'HUILE

GRUPO
GROUP 43/17
GRUPO
GROUPE

1 0650594

1 BUJÃO

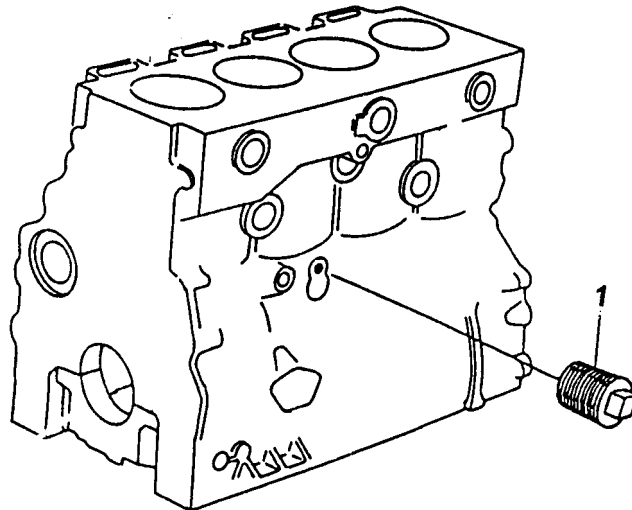
PLUG

TAPÓN

BOUCHON

TOMADA PARA MANOMETRO DE ÓLEO
OIL PRESSURE GAUGE FITTING
TOMA PARA MANOMETRO DE ACEITE
PRISE POUR MANOMETRE D'HUILE

GRUPO
GROUP 43/56
GRUPO
GROUPE



**TOMADA PARA MANOMETRO DE ÓLEO
OIL PRESSURE GAUGE FITTING
TOMA PARA MANOMETRO DE ACEITE
PRISE POUR MANOMETRE D'HUILE**

**GRUPO
GROUP 43/56
GRUPO
GROUPE**

1 70200655

1 CONEXÃO

CONNECTION

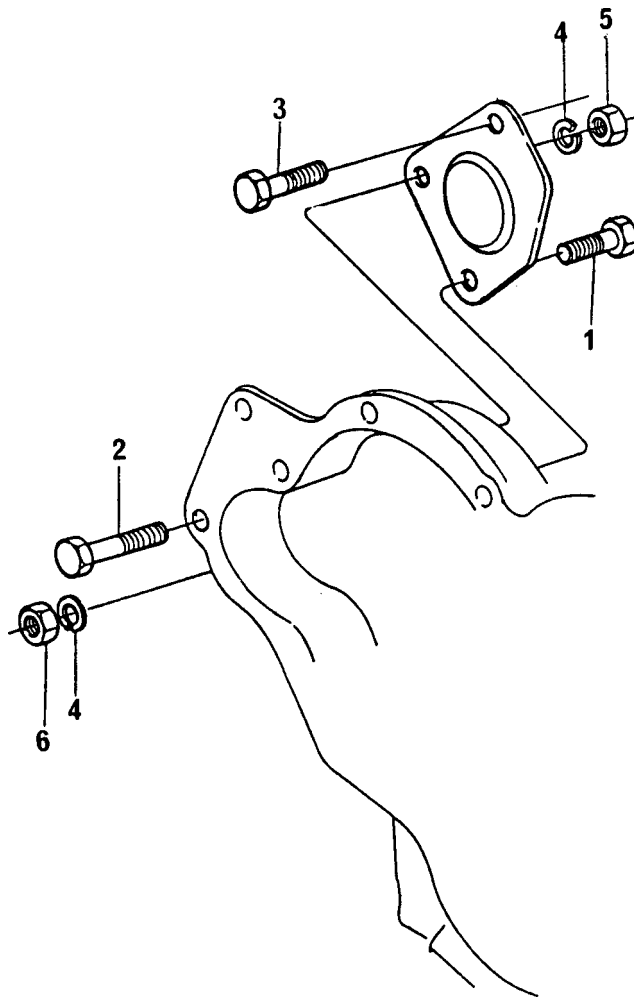
CONEXIÓN

RACCORD

TOMADA DE POTÊNCIA
POWER TAKE-OFF
TOMA DE POTENCIA
PRISE DE PUISSANCE

GRUPO
GROUP
GRUPO
GROUPE

44/128



**TOMADA DE POTÊNCIA
POWER TAKE-OFF
TOMA DE POTENCIA
PRISE DE PUISSANCE**

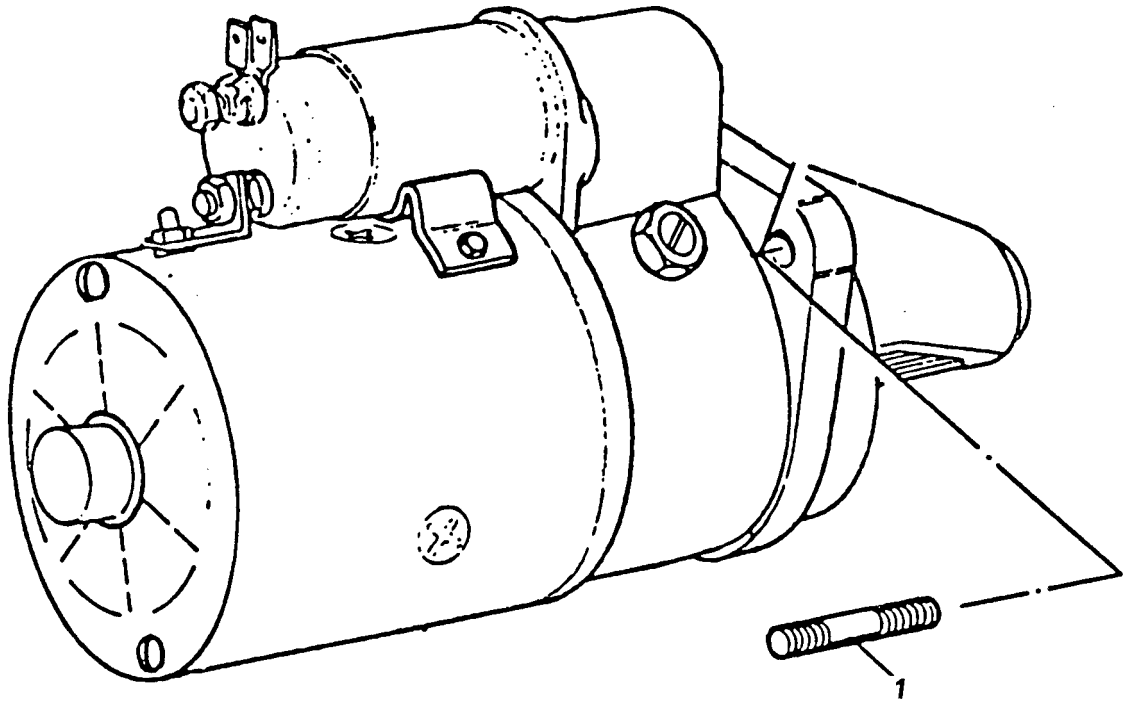
**GRUPO
GROUP
GRUPO
GROUPE** **44/128**

| | | | | | | |
|---|----------|---|----------|--------|----------|----------|
| 1 | 0096435 | 1 | PARAFUSO | BOLT | TORNILLO | VIS |
| 2 | 2232151 | 1 | PARAFUSO | BOLT | TORNILLO | VIS |
| 3 | 70740059 | 1 | PARAFUSO | BOLT | TORNILLO | VIS |
| 4 | 0920054 | 3 | ARRUELA | WASHER | ARANDELA | RONDELLE |
| 5 | 2238153 | 2 | PORCA | NUT | TUERCA | ÉCROU |
| 6 | 0576051 | 1 | PORCA | NUT | TUERCA | ÉCROU |

MOTOR DE PARTIDA
STARTER MOTOR
MOTOR DE ARRANQUE
DEMARREUR

GRUPO
GROUP
GRUPO
GROUPE

46/26



MOTOR DE PARTIDA
STARTER MOTOR
MOTOR DE ARRANQUE
DEMARREUR

GRUPO
GROUP 46/26
GRUPO
GROUPE

1 0826408



0826403

3 PRISIONEIRO

STUD

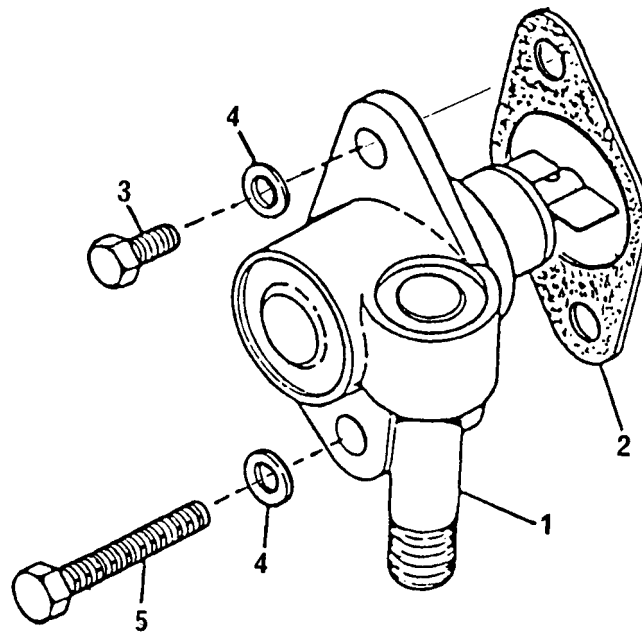
ESPÁRRAGO

GOUJON

ACIONAMENTO DO TAQUÍMETRO
TACHOMETER DRIVE
MANDO DEL TAQUÍMETRO
COMMANDE DU COMPTE-TOURS

GRUPO
GROUP
GRUPO
GROUPE

47/18



ACIONAMENTO DO TAQUÍMETRO
TACHOMETER DRIVE
MANDO DEL TAQUÍMETRO
COMMANDE DU COMPTE-TOURS

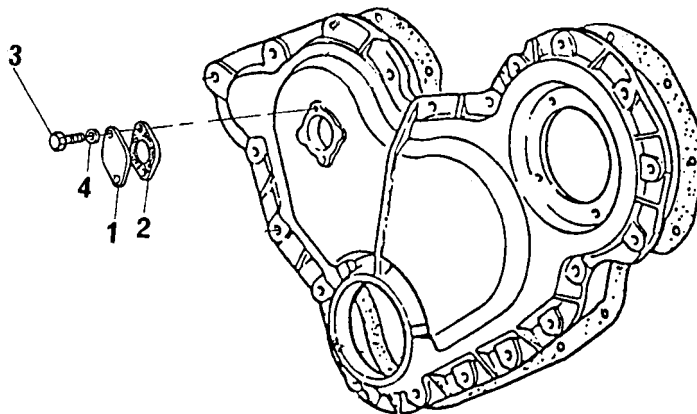
GRUPO
GROUP 47/18
GRUPO
GROUPE

| | | | | | | | |
|---|----------|-------------|---|----------------|-------------|----------|----------|
| 1 | 73071 | | 1 | ACIONADOR ANG. | ANGLE DRIVE | TRACCION | PRISE |
| 2 | 70490378 | ●○ 36833119 | 1 | JUNTA | JOINT | JUNTA | JOINT |
| 3 | 0746053 | | 1 | PARAFUSO | BOLT | TORNILLO | VIS |
| 4 | 0920052 | | 2 | ARRUELA | WASHER | ARANDELA | RONDELLE |
| 5 | 0746019 | ●○ 0096034 | 1 | PARAFUSO | BOLT | TORNILLO | VIS |

ACIONAMENTO DO TAQUÍMETRO
TACHOMETER DRIVE
MANDO DEL TAQUÍMETRO
COMMANDE DU COMPTE-TOURS

GRUPO
GROUP
GRUPO
GROUPE

47/19



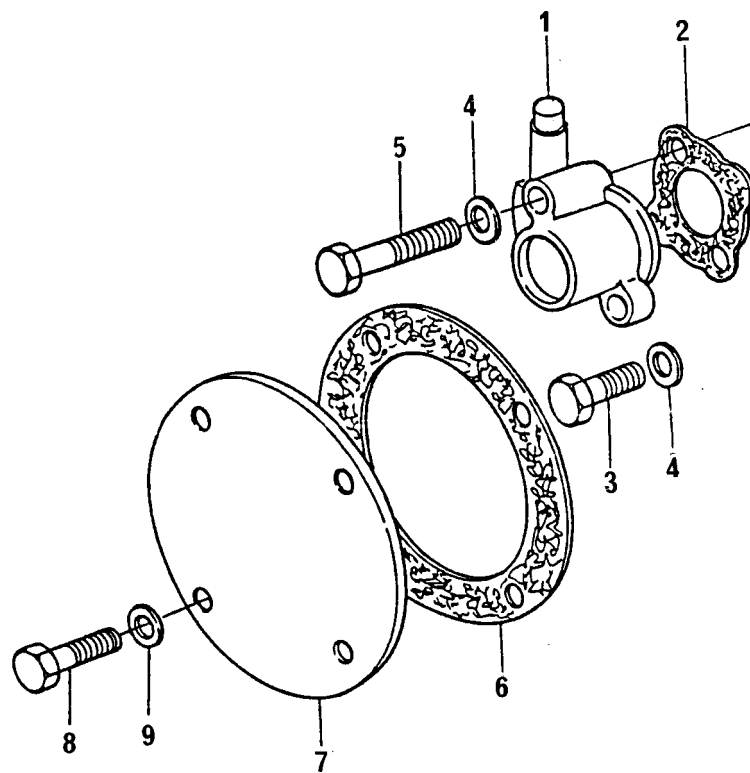
**ACIONAMENTO DO TAQUÍMETRO
TACHOMETER DRIVE
MANDO DEL TAQUÍMETRO
COMMANDE DU COMPTE-TOURS**

**GRUPO
GROUP 47/19
GRUPO
GROUPE**

| | | | | | | |
|---|----------|---|----------|--------|----------|-----------|
| 1 | 36171121 | 1 | TAMPA | COVER | TAPA | COUVERCLE |
| 2 | 36833119 | 1 | JUNTA | JOINT | JUNTA | JOINT |
| 3 | 0746051 | 2 | PARAFUSO | BOLT | TORNILLO | VIS |
| 4 | 0920052 | 2 | ARRUELA | WASHER | ARANDELA | RONDELLE |

ACIONAMENTO DO TAQUÍMETRO
TACHOMETER DRIVE
MANDO DEL TAQUÍMETRO
COMMANDE DU COMPTE-TOURS

GRUPO
GROUP 47/32
GRUPO
GROUPE



ACIONAMENTO DO TAQUÍMETRO
TACHOMETER DRIVE
MANDO DEL TAQUÍMETRO
COMMANDE DU COMPTE-TOURS

GRUPO
GROUP 47/32
GRUPO
GROUPE

| | | | | | | | |
|---|----------|-------------|---|----------------|-------------|----------|-----------|
| 1 | 73071 | | 1 | ACIONADOR ANG. | ANGLE DRIVE | TRACCION | PRISE |
| 2 | 70490378 | ●○ 36833119 | 1 | JUNTA | JOINT | JUNTA | JOINT |
| 3 | 0746053 | | 1 | PARAFUSO | BOLT | TORNILLO | VIS |
| 4 | 0920052 | | 2 | ARRUELA | WASHER | ARANDELA | RONDELLE |
| 5 | 0746019 | ●○ 0096034 | 1 | PARAFUSO | BOLT | TORNILLO | VIS |
| 6 | 70490402 | ●○ 70490275 | 1 | JUNTA | JOINT | JUNTA | JOINT |
| 7 | 32413415 | | 1 | TAMPA | COVER | TAPA | COUVERCLE |
| 8 | 0746252 | | 4 | PARAFUSO | BOLT | TORNILLO | VIS |
| 9 | 70920112 | | 4 | ARRUELA | WASHER | ARANDELA | RONDELLE |

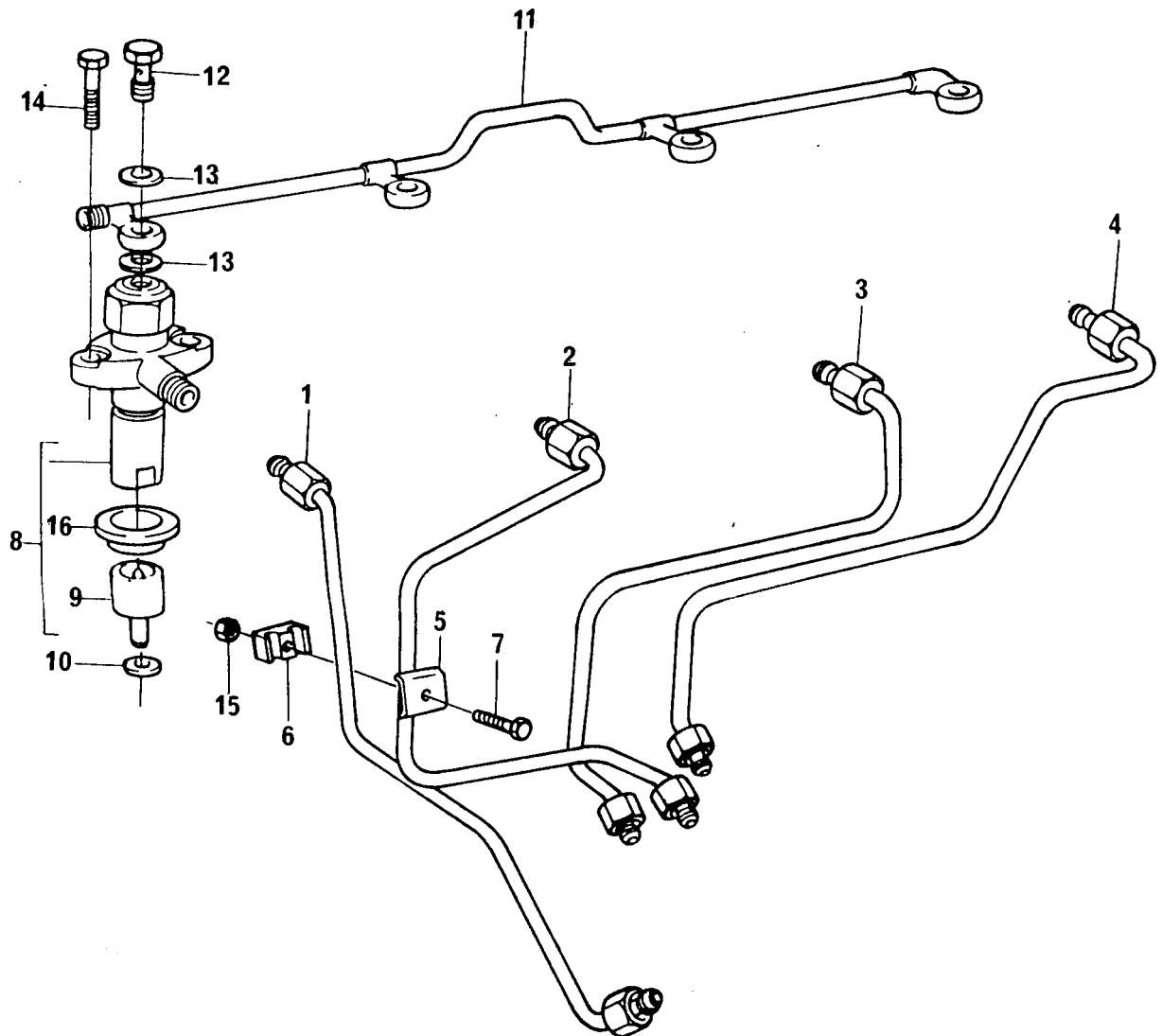
TUBOS DE INJEÇÃO E INJETORES
FUEL INJECTION SYSTEM
EQUIPO DE INYECCIÓN
SYSTEME D'INJECTION

GRUPO
GROUP 48/36
GRUPO
GROUPE

| | | | | | | | |
|----|----------|------------|---|----------------|-----------------|-----------------|---------------|
| 1 | 70992368 | | 1 | TUBO CIL. 1 | PIPE 1 CYL | CAÑO CIL 1 | TUYAUTERIE 1 |
| 2 | 70992369 | | 1 | TUBO CIL. 2 | PIPE 2 CYL | CAÑO CIL 2 | TUYAUTERIE 2 |
| 3 | 70992370 | | 1 | TUBO CIL. 3 | PIPE 3 CYL | CAÑO CIL 3 | TUYAUTERIE 3 |
| 4 | 70992371 | | 1 | TUBO CIL. 4 | PIPE 4 CYL | CAÑO CIL 4 | TUYAUTERIE 4 |
| 5 | 36516119 | ●○ 0180637 | 4 | PRESILHA | CLIP | SUJETADOR | AGRAFE |
| 6 | 70600001 | | 4 | ALMOFADA | DAMPER | AMORTIGUADOR | AMORTISSEUR |
| 7 | 0726260 | | 2 | PARAFUSO | BOLT | TORNILLO | VIS |
| 8 | 2645666 | | 4 | INJETOR - C.J. | ATOMISER ASSY | INYECTOR - C.J. | INJECTEUR |
| 9 | 2646842 | 8 | 4 | BICO INJETOR | NOZZLE | TOBERA | NEZ INJECTEUR |
| 10 | 70920081 | | 4 | ARRUELA | WASHER | ARANDELA | RONDELLE |
| 11 | 35587338 | | 1 | TUBO RETORNO | LEAK - OFF PIPE | CAÑO | TUYAUTERIE |
| 12 | 0095315 | | 4 | PARAFUSO BANJO | BANJO BOLT | TORNILLO BANJO | VIS BANJO |
| 13 | 70920083 | | 8 | ARRUELA | WASHER | ARANDELA | RONDELLE |
| 14 | 0096232 | | 8 | PARAFUSO | BOLT | TORNILLO | VIS |
| 15 | 70576100 | | 2 | PORCA | NUT | TUERCA | ÉCROU |
| 16 | 70730019 | | 4 | VEDADOR | SEAL | RETÉN | GUARNITURE |

TUBOS DE INJEÇÃO E INJETORES
FUEL INJECTION SYSTEM
EQUIPO DE INYECCIÓN
SYSTEME D'INJECTION

GRUPO
GROUP 48/39
GRUPO
GROUPE



TUBOS DE INJEÇÃO E INJETORES
FUEL INJECTION SYSTEM
EQUIPO DE INYECCIÓN
SYSTEME D'INJECTION

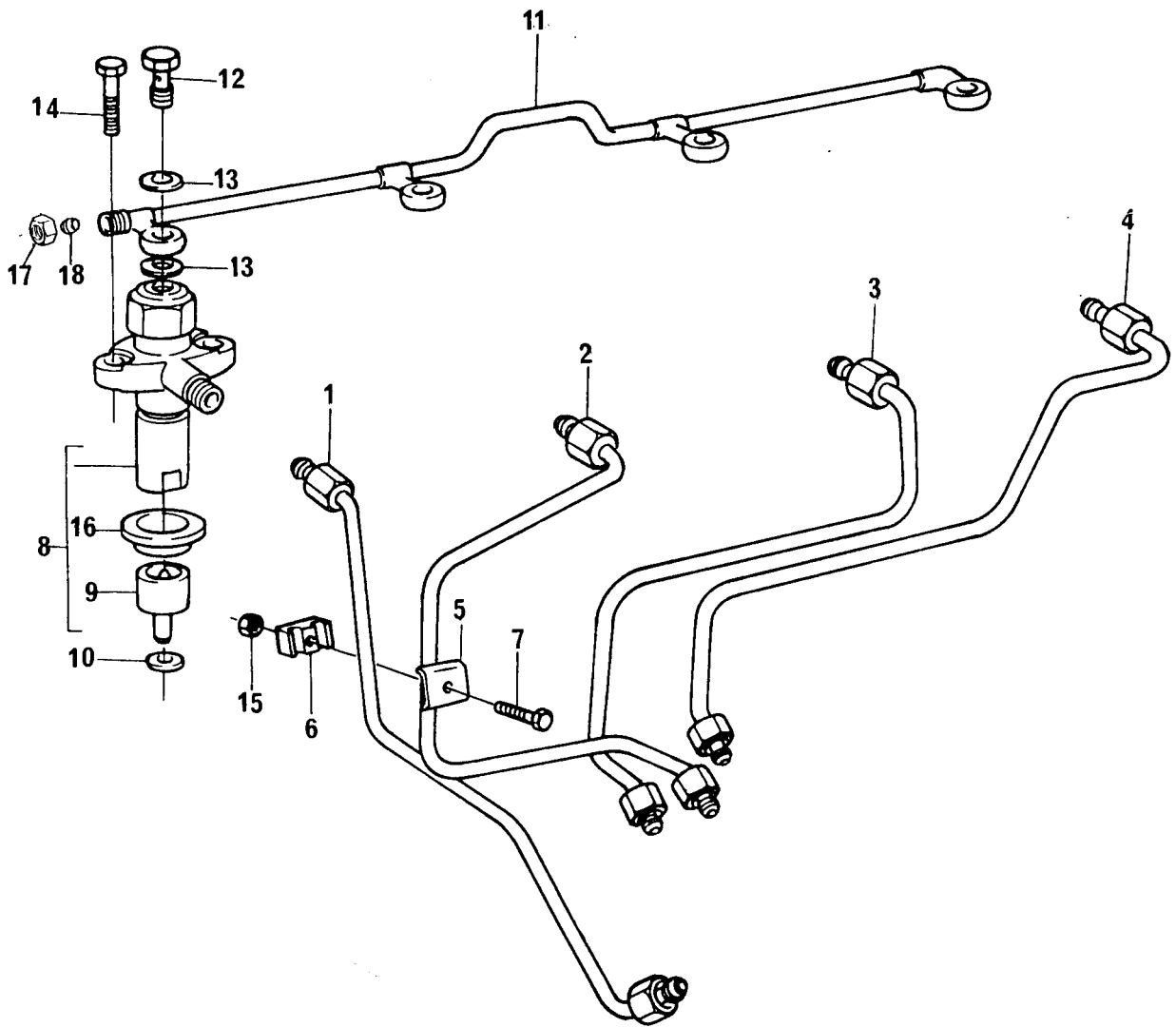
GRUPO
GROUP 48/39
GRUPO
GROUPE

| | | | | | | |
|----|----------|------------|------------------|-----------------|----------------|---------------|
| 1 | 70992368 | | 1 TUBO CIL. 1 | PIPE 1 CYL | CAÑO CIL 1 | TUYAUTERIE 1 |
| 2 | 70992369 | | 1 TUBO CIL. 2 | PIPE 2 CYL | CAÑO CIL 2 | TUYAUTERIE 2 |
| 3 | 70992370 | | 1 TUBO CIL. 3 | PIPE 3 CYL | CAÑO CIL 3 | TUYAUTERIE 3 |
| 4 | 70992371 | | 1 TUBO CIL. 4 | PIPE 4 CYL | CAÑO CIL 4 | TUYAUTERIE 4 |
| 5 | 36516119 | ●○ 0180637 | 4 PRESILHA | CLIP | SUJETADOR | AGRAFE |
| 6 | 70600001 | | 4 ALMOFADA | DAMPER | AMORTIGUADOR | AMORTISSEUR |
| 7 | 0726260 | | 2 PARAFUSO | BOLT | TORNILLO | VIS |
| 8 | 77206 | | 4 INJETOR - CJ. | ATOMISER ASSY | INECTOR - CJ. | INJECTEUR |
| 9 | 77207 | 8 | 4 BICO INJETOR | NOZZLE | TOBERA | NEZ INJECTEUR |
| 10 | 70920081 | | 4 ARRUELA | WASHER | ARANDELA | RONDELLE |
| 11 | 35587338 | | 1 TUBO RETORNO | LEAK - OFF PIPE | CAÑO | TUYAUTERIE |
| 12 | 0095315 | | 4 PARAFUSO BANJO | BANJO BOLT | TORNILLO BANJO | VIS BANJO |
| 13 | 70920083 | | 8 ARRUELA | WASHER | ARANDELA | RONDELLE |
| 14 | 0096232 | | 8 PARAFUSO | BOLT | TORNILLO | VIS |
| 15 | 70576100 | | 2 PORCA | NUT | TUERCA | ÉCROU |
| 16 | 70730019 | | 4 VEDADOR | SEAL | RETÉN | GUARNITURE |

TUBOS DE INJEÇÃO E INJETORES
FUEL INJECTION SYSTEM
EQUIPO DE INYECCIÓN
SYSTEME D'INJECTION

GRUPO
GROUP
GRUPO
GROUPE

48/62



TUBOS DE INJEÇÃO E INJETORES
FUEL INJECTION SYSTEM
EQUIPO DE INYECCIÓN
SYSTEME D'INJECTION

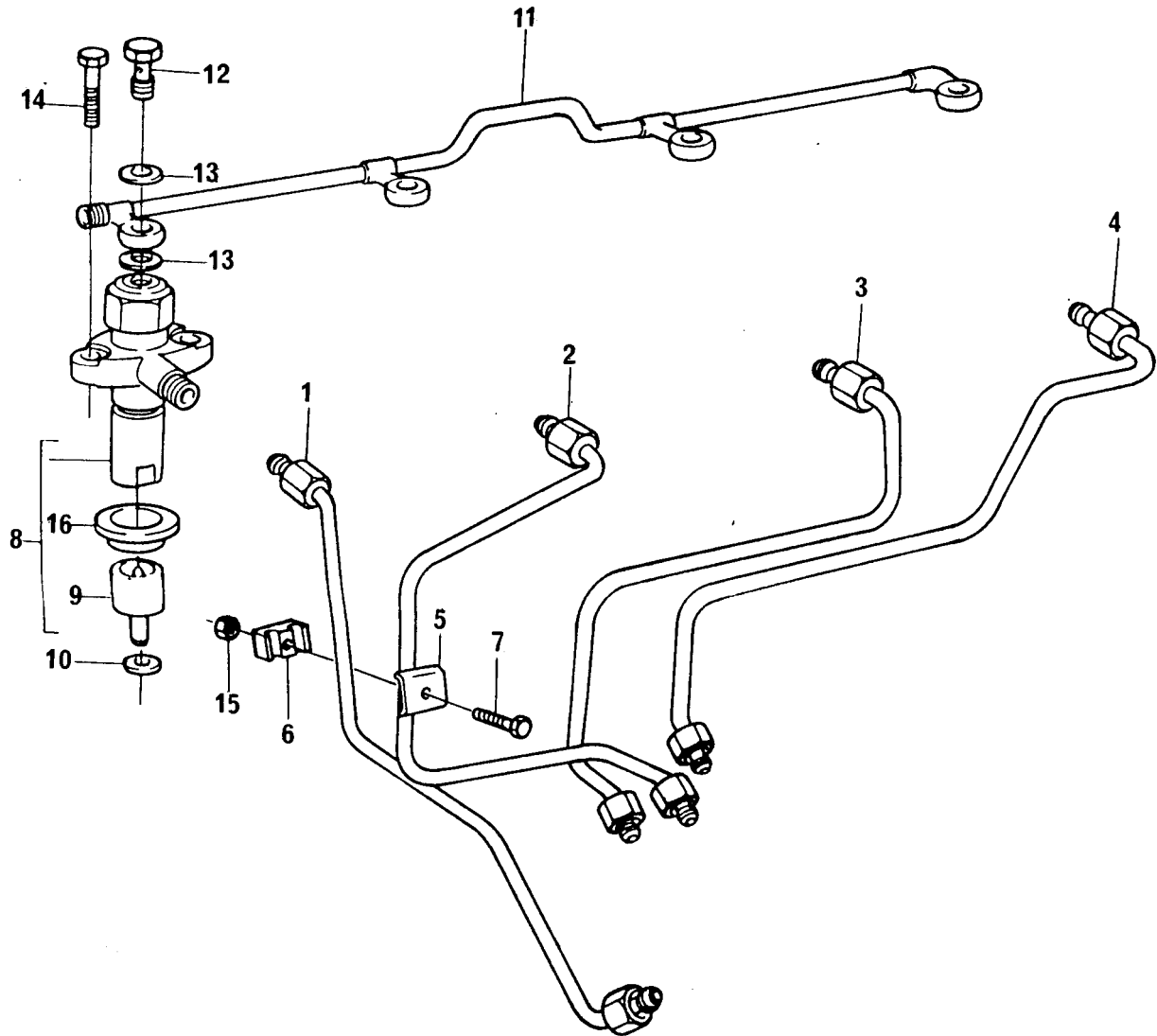
GRUPO
GROUP 48/62
GRUPO
GROUPE

| | | | | | | | |
|----|----------|------------|---|----------------|-----------------|----------------|---------------|
| 1 | 70992368 | | 1 | TUBO CIL. 1 | PIPE 1 CYL | CAÑO CIL 1 | TUYAUTERIE 1 |
| 2 | 70992369 | | 1 | TUBO CIL. 2 | PIPE 2 CYL | CAÑO CIL 2 | TUYAUTERIE 2 |
| 3 | 70992370 | | 1 | TUBO CIL. 3 | PIPE 3 CYL | CAÑO CIL 3 | TUYAUTERIE 3 |
| 4 | 70992371 | | 1 | TUBO CIL. 4 | PIPE 4 CYL | CAÑO CIL 4 | TUYAUTERIE 4 |
| 5 | 36516119 | ●○ 0180637 | 4 | PRESILHA | CLIP | SUJETADOR | AGRAFE |
| 6 | 70600001 | | 4 | ALMOFADA | DAMPER | AMORTIGUADOR | AMORTISSEUR |
| 7 | 0726260 | | 2 | PARAFUSO | BOLT | TORNILLO | VIS |
| 8 | 77206 | | 4 | INJETOR - CJ. | ATOMISER ASSY | INYECTOR - CJ. | INJECTEUR |
| 9 | 77207 | 8 | 4 | BICO INJETOR | NOZZLE | TOBERA | NEZ INJECTEUR |
| 10 | 70920081 | | 4 | ARRUELA | WASHER | ARANDELA | RONDELLE |
| 11 | 35587338 | | 1 | TUBO RETORNO | LEAK - OFF PIPE | CAÑO | TUYAUTERIE |
| 12 | 0095315 | | 4 | PARAFUSO BANJO | BANJO BOLT | TORNILLO BANJO | VIS BANJO |
| 13 | 70920083 | | 8 | ARRUELA | WASHER | ARANDELA | RONDELLE |
| 14 | 0096232 | | 8 | PARAFUSO | BOLT | TORNILLO | VIS |
| 15 | 70576100 | | 2 | PORCA | NUT | TUERCA | ÉCROU |
| 16 | 70730019 | | 4 | VEDADOR | SEAL | RETÉN | GUARNITURE |
| 17 | 0576111 | | 1 | PORCA | NUT | TUERCA | ÉCROU |
| 18 | 0020005 | | 1 | ESFERA | BALL | BOLA | BILLE |

TUBOS DE INJEÇÃO E INJETORES
FUEL INJECTION SYSTEM
EQUIPO DE INYECCIÓN
SYSTEME D'INJECTION

GRUPO
GROUP
GRUPO
GROUPE

48/74



TUBOS DE INJEÇÃO E INJETORES
FUEL INJECTION SYSTEM
EQUIPO DE INYECCIÓN
SYSTEME D'INJECTION

GRUPO
GROUP 48/74
GRUPO
GROUPE

| | | | | | | |
|----|----------|------------|------------------|-----------------|----------------|---------------|
| 1 | 70991544 | | 1 TUBO CIL. 1 | PIPE 1 CYL | CAÑO CIL 1 | TUYAUTERIE 1 |
| 2 | 70991545 | | 1 TUBO CIL. 2 | PIPE 2 CYL | CAÑO CIL 2 | TUYAUTERIE 2 |
| 3 | 70991546 | | 1 TUBO CIL. 3 | PIPE 3 CYL | CAÑO CIL 3 | TUYAUTERIE 3 |
| 4 | 70991547 | | 1 TUBO CIL. 4 | PIPE 4 CYL | CAÑO CIL 4 | TUYAUTERIE 4 |
| 5 | 36516119 | ●○ 0180637 | 6 PRESILHA | CLIP | SUJETADOR | AGRAFE |
| 6 | 70600001 | | 6 ALMOFADA | DAMPER | AMORTIGUADOR | AMORTISSEUR |
| 7 | 0726260 | | 3 PARAFUSO | BOLT | TORNILLO | VIS |
| 8 | 2645666 | | 4 INJETOR - CJ. | ATOMISER ASSY | INYECTOR - CJ. | INJECTEUR |
| 9 | 2646842 | 8 | 4 BICO INJETOR | NOZZLE | TOBERA | NEZ INJECTEUR |
| 10 | 70920081 | | 4 ARRUELA | WASHER | ARANDELA | RONDELLE |
| 11 | 35587338 | | 1 TUBO RETORNO | LEAK - OFF PIPE | CAÑO | TUYAUTERIE |
| 12 | 0095315 | | 3 PARAFUSO BANJO | BANJO BOLT | TORNILLO BANJO | VIS BANJO |
| 13 | 70920083 | | 6 ARRUELA | WASHER | ARANDELA | RONDELLE |
| 14 | 0096232 | | 8 PARAFUSO | BOLT | TORNILLO | VIS |
| 15 | 70576100 | | 3 PORCA | NUT | TUERCA | ÉCROU |
| 16 | 70730019 | | 4 VEDADOR | SEAL | RETÉN | GUARNITURE |

TUBOS DE INJEÇÃO E INJETORES
FUEL INJECTION SYSTEM
EQUIPO DE INYECCIÓN
SYSTEME D'INJECTION

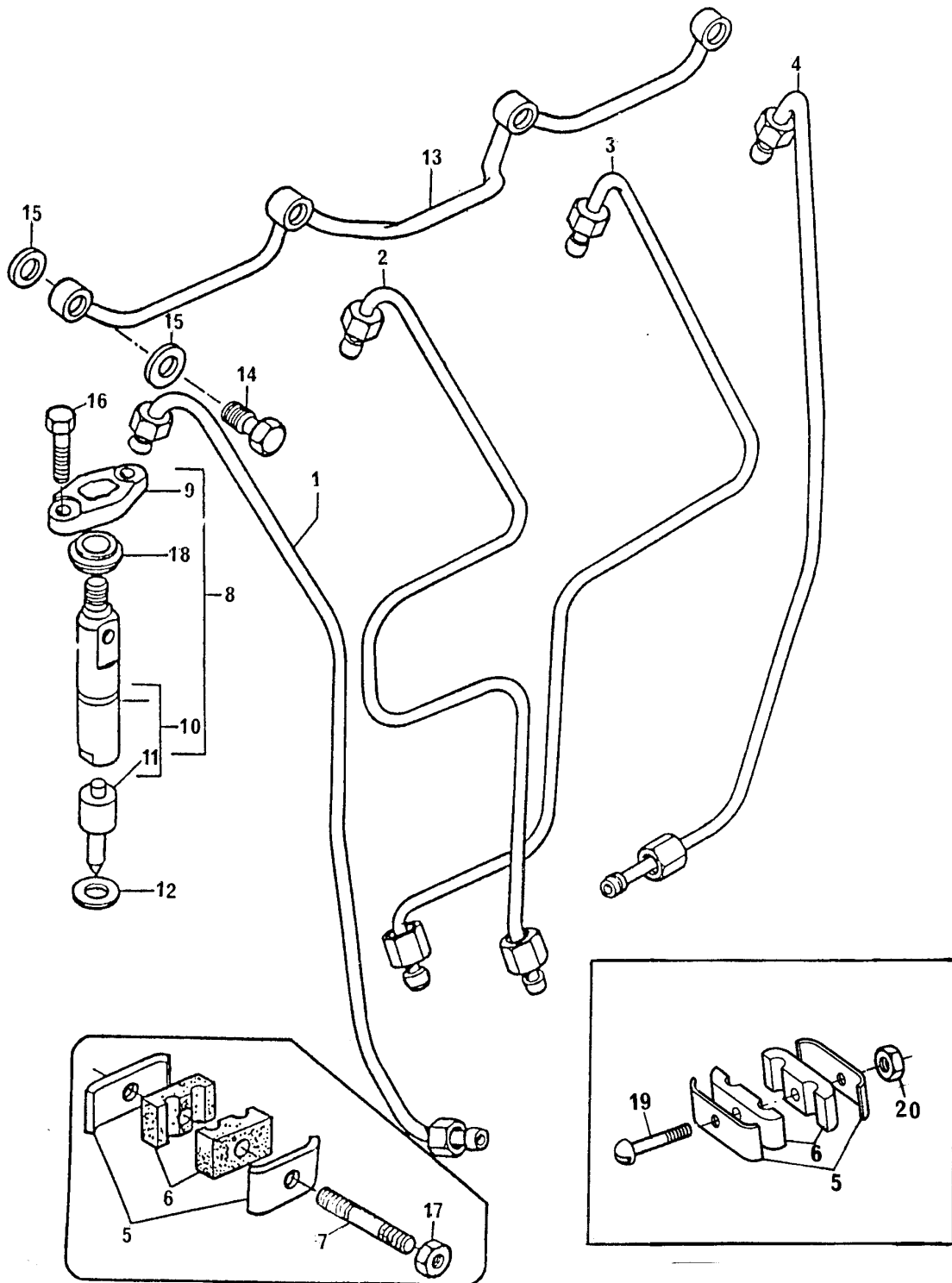
GRUPO
GROUP 48/75
GRUPO
GROUPE

| | | | | | | | |
|----|----------|---|---|----------------|-----------------|----------------|---------------|
| 1 | 70991544 | | 1 | TUBO CIL. 1 | PIPE 1 CYL | CAÑO CIL 1 | TUYAUTERIE 1 |
| 2 | 70991545 | | 1 | TUBO CIL. 2 | PIPE 2 CYL | CAÑO CIL 2 | TUYAUTERIE 2 |
| 3 | 70991546 | | 1 | TUBO CIL. 3 | PIPE 3 CYL | CAÑO CIL 3 | TUYAUTERIE 3 |
| 4 | 70991547 | | 1 | TUBO CIL. 4 | PIPE 4 CYL | CAÑO CIL 4 | TUYAUTERIE 4 |
| 5 | 36516119 |  0180637 | 6 | PRESILHA | CLIP | SUJETADOR | AGRAFE |
| 6 | 70600001 | | 6 | ALMOFADA | DAMPER | AMORTIGUADOR | AMORTISSEUR |
| 7 | 0726260 | | 3 | PARAFUSO | BOLT | TORNILLO | VIS |
| 8 | 2645666 | | 4 | INJETOR - CJ. | ATOMISER ASSY | INECTOR - CJ. | INJECTEUR |
| 9 | 2646842 | 8 | 4 | BICO INJETOR | NOZZLE | TOBERA | NEZ INJECTEUR |
| 10 | 70920081 | | 4 | ARRUELA | WASHER | ARANDELA | RONDELLE |
| 11 | 35587338 | | 1 | TUBO RETORNO | LEAK - OFF PIPE | CAÑO | TUYAUTERIE |
| 12 | 0095315 | | 4 | PARAFUSO BANJO | BANJO BOLT | TORNILLO BANJO | VIS BANJO |
| 13 | 70920083 | | 8 | ARRUELA | WASHER | ARANDELA | RONDELLE |
| 14 | 0096232 | | 8 | PARAFUSO | BOLT | TORNILLO | VIS |
| 15 | 70576100 | | 3 | PORCA | NUT | TUERCA | ÉCROU |
| 16 | 70730019 | | 4 | VEDADOR | SEAL | RETÉN | GUARNITURE |

TUBOS DE INJEÇÃO E INJETORES
FUEL INJECTION SYSTEM
EQUIPO DE INYECCIÓN
SYSTEME D'INJECTION

GRUPO
GROUP
GRUPO
GROUPE

48/80



TUBOS DE INJEÇÃO E INJETORES
FUEL INJECTION SYSTEM
EQUIPO DE INYECCIÓN
SYSTEME D'INJECTION

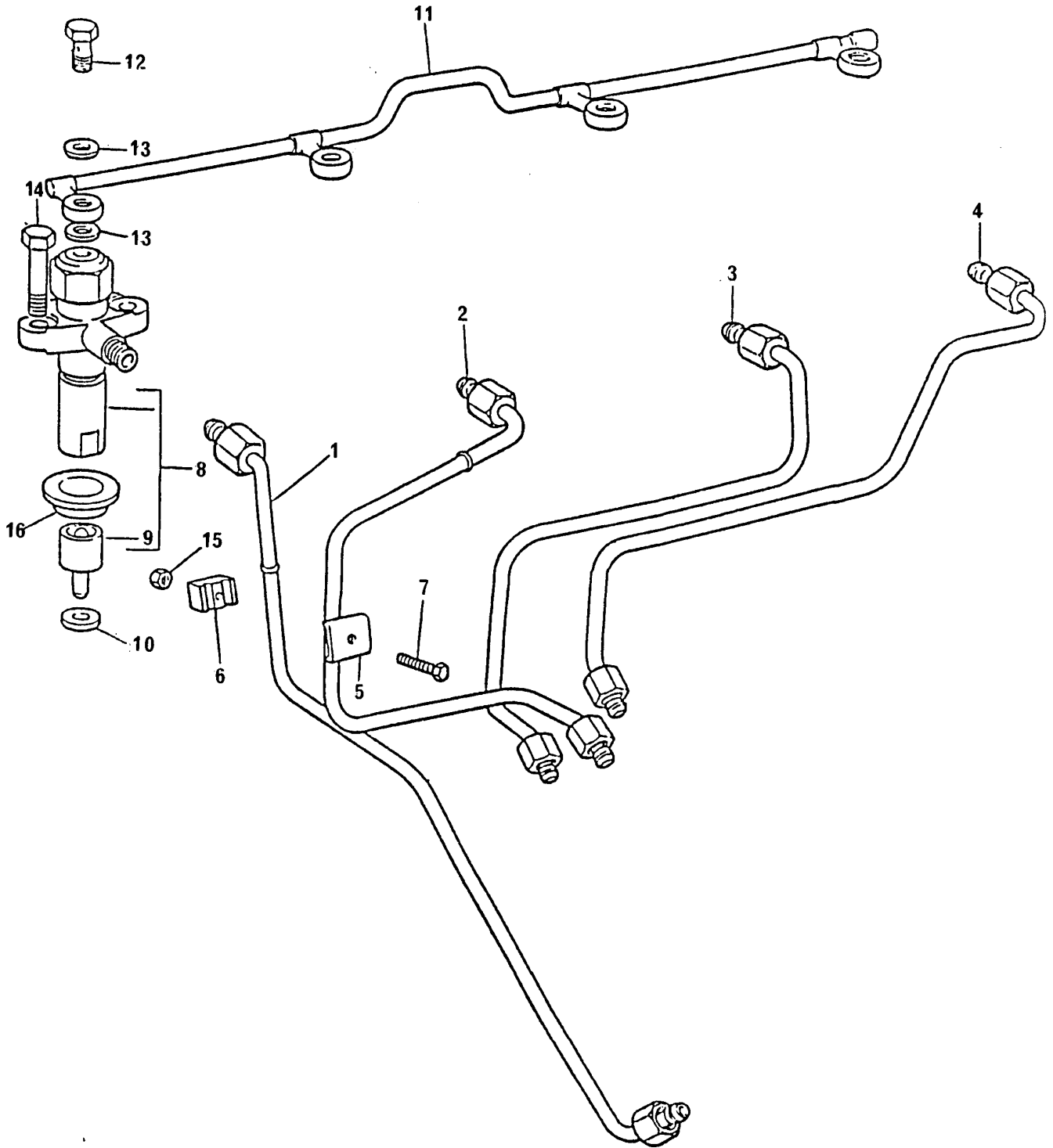
GRUPO
GROUP 48/80
GRUPO
GROUPE

| | | | | | | | |
|----|----------|--|---|-------------------------|-----------------|-----------------|---------------|
| 1 | 70992433 | | 1 | TUBO CIL. 1 | PIPE 1 CYL | CAÑO CIL 1 | TUYAUTERIE 1 |
| 2 | 70992434 | | 1 | TUBO CIL. 2 | PIPE 2 CYL | CAÑO CIL 2 | TUYAUTERIE 2 |
| 3 | 70992435 | | 1 | TUBO CIL. 3 | PIPE 3 CYL | CAÑO CIL 3 | TUYAUTERIE 3 |
| 4 | 70992436 | | 1 | TUBO CIL. 4 | PIPE 4 CYL | CAÑO CIL 4 | TUYAUTERIE 4 |
| 5 | 36516119 | | 4 | PRESILHA | CLIP | SUJETADOR | AGRAFE |
| 6 | 70600001 |  36854103 | 4 | ALMOFADA | DAMPER | AMORTIGUADOR | AMORTISSEUR |
| 7 | 0826017 | | 2 | PRISIONEIRO | STUD | ESPÁRRAGO | GOUJON |
| 8 | 77271 | | 4 | INJETOR - C.J. / FLANGE | ATOMISER ASSY | INYECTOR - C.J. | INJECTEUR |
| 9 | 37462401 | 8 | 4 | FLANGE | FLANGE | PLETINA | FLASQUE |
| 10 | 2645K002 | 8 | 4 | INJETOR - C.J. | ATOMISER ASSY | INYECTOR - C.J. | INJECTEUR |
| 11 | 2645K602 | 10 | 4 | BICO INJETOR | NOZZLE | TOBERA | NEZ INJECTEUR |
| 12 | 70920081 | | 4 | ARRUELA | WASHER | ARANDELA | RONDELLE |
| 13 | 3558X011 | | 1 | TUBO RETORNO | LEAK - OFF PIPE | CAÑO | TUYAUTERIE |
| 14 | 0095315 | | 3 | PARAFUSO BANJO | BANJO BOLT | TORNILLO BANJO | VIS BANJO |
| 15 | 70920083 | | 8 | ARRUELA | WASHER | ARANDELA | RONDELLE |
| 16 | 0096231 | | 8 | PARAFUSO | BOLT | TORNILLO | VIS |
| 17 | 70576101 | | 2 | PORCA | NUT | TUERCA | ÉCROU |
| 18 | 70730019 | | 4 | VEDADOR | SEAL | RETÉN | GUARNITURE |
| 19 | 0726260 | | 2 | PARAFUSO | BOLT | TORNILLO | VIS |
| 20 | 70576100 | | 2 | PORCA | NUT | TUERCA | ÉCROU |

TUBOS DE INJEÇÃO E INJETORES
FUEL INJECTION SYSTEM
EQUIPO DE INYECCIÓN
SYSTEME D'INJECTION


GRUPO
GROUP
GRUPO
GROUPE

48/90



TUBOS DE INJEÇÃO E INJETORES
FUEL INJECTION SYSTEM
EQUIPO DE INYECCIÓN
SYSTEME D'INJECTION

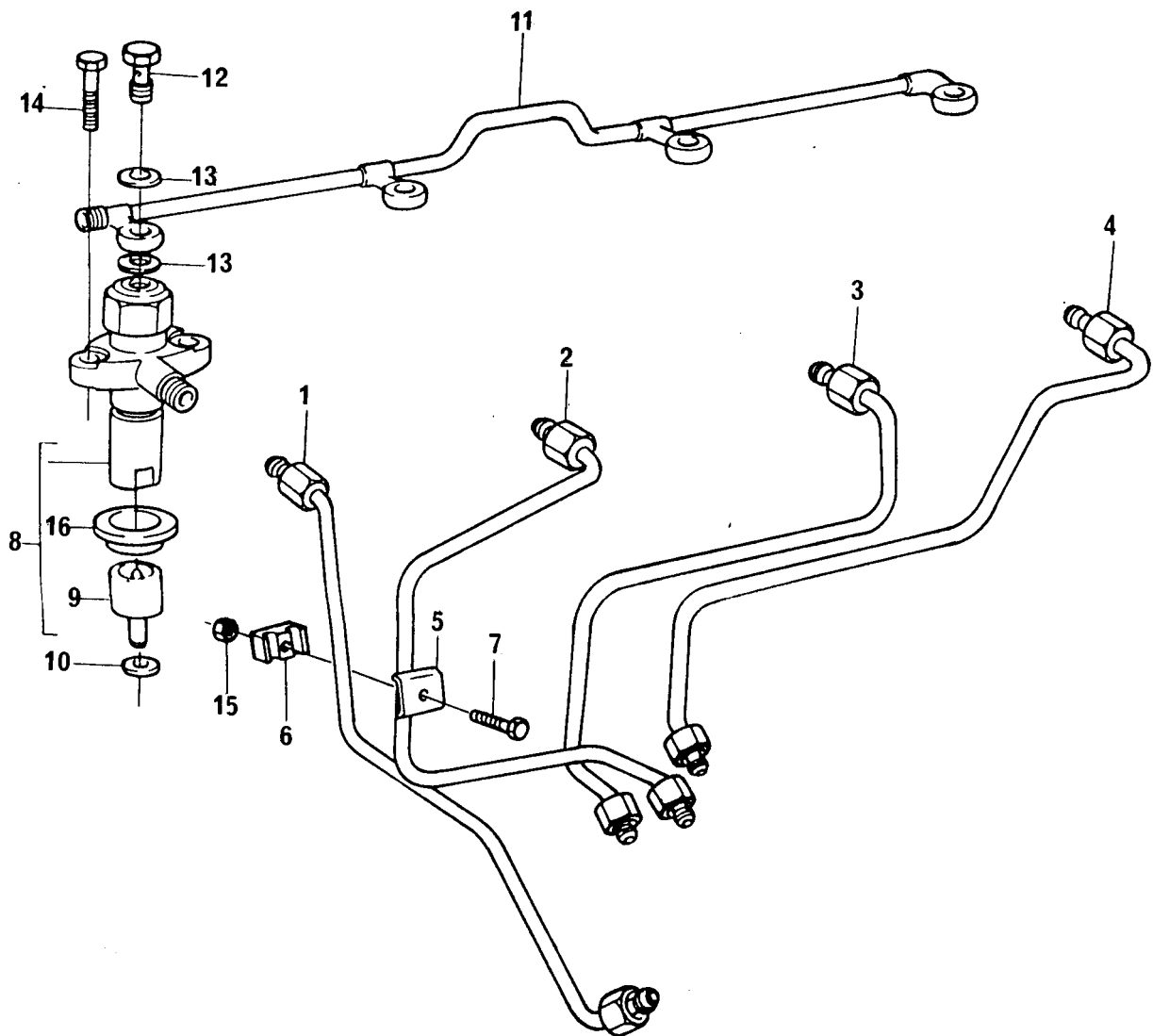
GRUPO
GROUP 48/90
GRUPO
GROUPE

| | | | | | | | |
|----|----------|---|---|----------------|-----------------|----------------|---------------|
| 1 | 70992258 | | 1 | TUBO CIL. 1 | PIPE 1 CYL | CAÑO CIL 1 | TUYAUTERIE 1 |
| 2 | 70992259 | | 1 | TUBO CIL. 2 | PIPE 2 CYL | CAÑO CIL 2 | TUYAUTERIE 2 |
| 3 | 70992260 | | 1 | TUBO CIL. 3 | PIPE 3 CYL | CAÑO CIL 3 | TUYAUTERIE 3 |
| 4 | 70992261 | | 1 | TUBO CIL. 4 | PIPE 4 CYL | CAÑO CIL 4 | TUYAUTERIE 4 |
| 5 | 36516119 |  0180637 | 6 | PRESILHA | CLIP | SUJETADOR | AGRAFE |
| 6 | 70600001 | | 6 | ALMOFADA | DAMPER | AMORTIGUADOR | AMORTISSEUR |
| 7 | 0726260 | | 3 | PARAFUSO | BOLT | TORNILLO | VIS |
| 8 | 2645666 | | 4 | INJETOR - CJ. | ATOMISER ASSY | INYECTOR - CJ. | INJECTEUR |
| 9 | 2646842 | 8 | 4 | BICO INJETOR | NOZZLE | TOBERA | NEZ INJECTEUR |
| 10 | 70920081 | | 4 | ARRUELA | WASHER | ARANDELA | RONDELLE |
| 11 | 35587338 | | 1 | TUBO RETORNO | LEAK - OFF PIPE | CAÑO | TUYAUTERIE |
| 12 | 0095315 | | 4 | PARAFUSO BANJO | BANJO BOLT | TORNILLO BANJO | VIS BANJO |
| 13 | 70920083 | | 8 | ARRUELA | WASHER | ARANDELA | RONDELLE |
| 14 | 0096231 |  0096232 | 8 | PARAFUSO | BOLT | TORNILLO | VIS |
| 15 | 70576100 | | 4 | PORCA | NUT | TUERCA | ÉCROU |
| 16 | 70730019 | | 4 | VEDADOR | SEAL | RETÉN | GUARNITURE |

TUBOS DE INJEÇÃO E INJETORES
FUEL INJECTION SYSTEM
EQUIPO DE INYECCIÓN
SYSTEME D'INJECTION

GRUPO
GROUP
GRUPO
GROUPE

48/95



TUBOS DE INJEÇÃO E INJETORES
FUEL INJECTION SYSTEM
EQUIPO DE INYECCIÓN
SYSTEME D'INJECTION

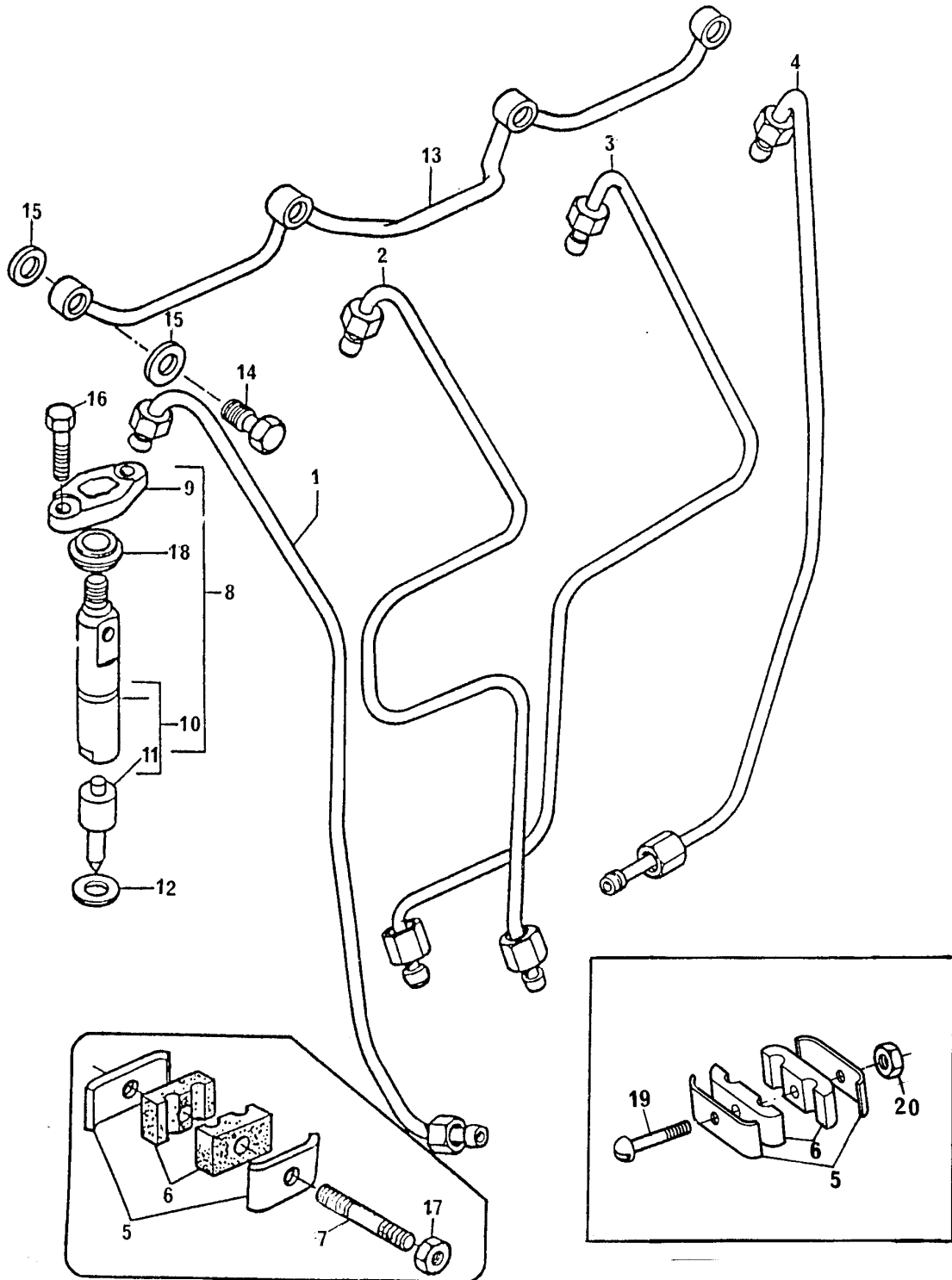
GRUPO
GROUP 48/95
GRUPO
GROUPE

| | | | | | | | |
|----|----------|---|---|----------------|-----------------|----------------|---------------|
| 1 | 70992368 | | 1 | TUBO CIL. 1 | PIPE 1 CYL | CAÑO CIL 1 | TUYAUTERIE 1 |
| 2 | 70992369 | | 1 | TUBO CIL. 2 | PIPE 2 CYL | CAÑO CIL 2 | TUYAUTERIE 2 |
| 3 | 70992370 | | 1 | TUBO CIL. 3 | PIPE 3 CYL | CAÑO CIL 3 | TUYAUTERIE 3 |
| 4 | 70992371 | | 1 | TUBO CIL. 4 | PIPE 4 CYL | CAÑO CIL 4 | TUYAUTERIE 4 |
| 5 | 36516119 |  0180637 | 4 | PRESILHA | CLIP | SUJETADOR | AGRAFE |
| 6 | 70600001 | | 4 | ALMOFADA | DAMPER | AMORTIGUADOR | AMORTISSEUR |
| 7 | 0726260 | | 2 | PARAFUSO | BOLT | TORNILLO | VIS |
| 8 | 77206 | | 4 | INJETOR - CJ. | ATOMISER ASSY | INYECTOR - CJ. | INJECTEUR |
| 9 | 77207 | 8 | 4 | BICO INJETOR | NOZZLE | TOBERA | NEZ INJECTEUR |
| 10 | 70920081 | | 4 | ARRUELA | WASHER | ARANDELA | RONDELLE |
| 11 | 35587338 | | 1 | TUBO RETORNO | LEAK - OFF PIPE | CAÑO | TUYAUTERIE |
| 12 | 0095315 | | 4 | PARAFUSO BANJO | BANJO BOLT | TORNILLO BANJO | VIS BANJO |
| 13 | 70920083 | | 8 | ARRUELA | WASHER | ARANDELA | RONDELLE |
| 14 | 0096232 | | 8 | PARAFUSO | BOLT | TORNILLO | VIS |
| 15 | 70576100 | | 2 | PORCA | NUT | TUERCA | ÉCROU |
| 16 | 70730019 | | 4 | VEDADOR | SEAL | RETÉN | GUARNITURE |

TUBOS DE INJEÇÃO E INJETORES
FUEL INJECTION SYSTEM
EQUIPO DE INYECCIÓN
SYSTEME D'INJECTION

GRUPO
GROUP
GRUPO
GRUPE

48/96



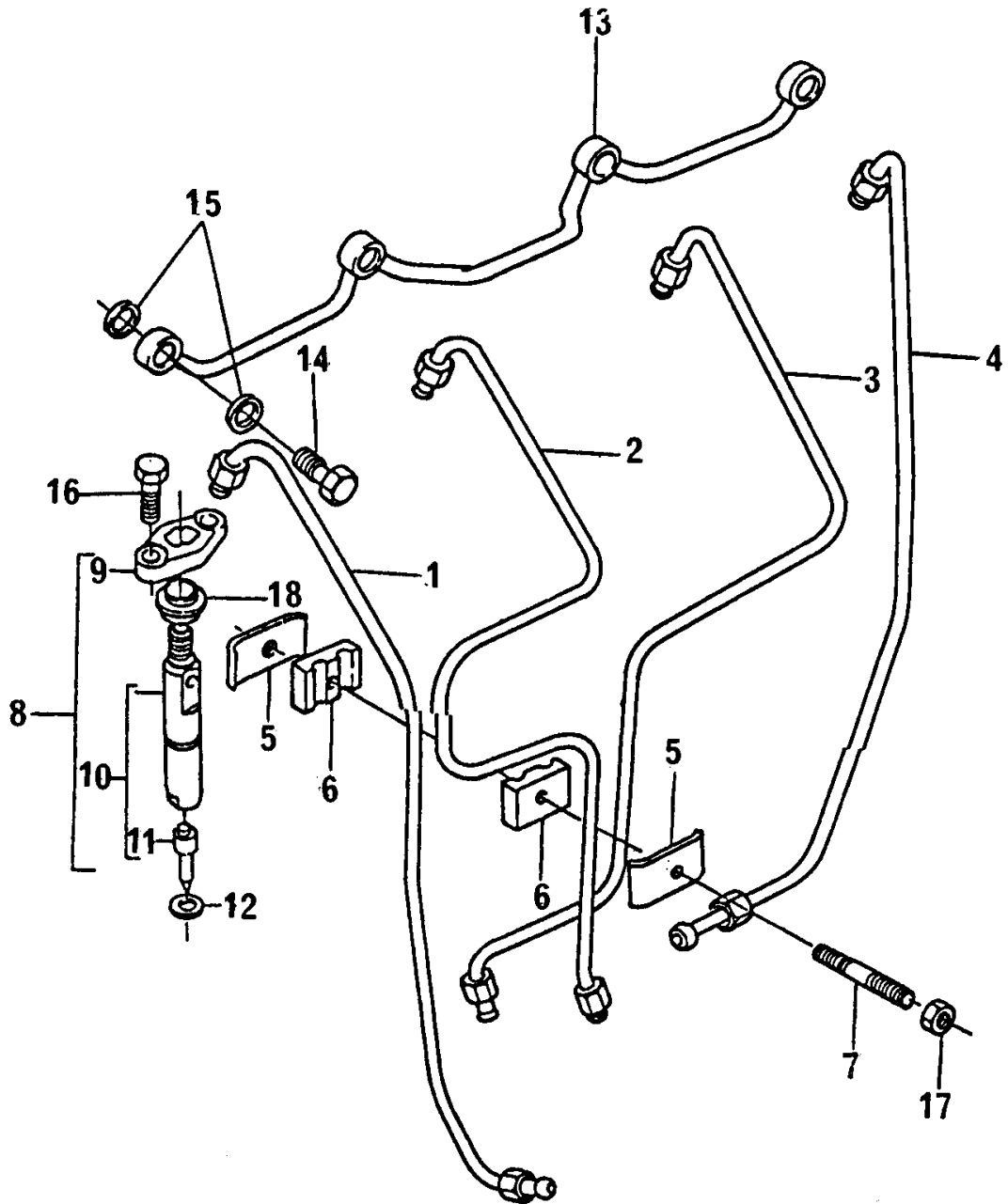
TUBOS DE INJEÇÃO E INJETORES
FUEL INJECTION SYSTEM
EQUIPO DE INYECCIÓN
SYSTEME D'INJECTION

GRUPO
GROUP 48/96
GRUPO
GROUPE

| | | | | | | | |
|----|----------|----|---|-------------------------|-----------------|-----------------|---------------|
| 1 | 70992433 | | 1 | TUBO CIL. 1 | PIPE 1 CYL | CAÑO CIL 1 | TUYAUTERIE 1 |
| 2 | 70992434 | | 1 | TUBO CIL. 2 | PIPE 2 CYL | CAÑO CIL 2 | TUYAUTERIE 2 |
| 3 | 70992435 | | 1 | TUBO CIL. 3 | PIPE 3 CYL | CAÑO CIL 3 | TUYAUTERIE 3 |
| 4 | 70992436 | | 1 | TUBO CIL. 4 | PIPE 4 CYL | CAÑO CIL 4 | TUYAUTERIE 4 |
| 5 | 36516119 | | 2 | PRESILHA | CLIP | SUJETADOR | AGRAFE |
| 6 | 70600001 | | 2 | ALMOFADA | DAMPER | AMORTIGUADOR | AMORTISSEUR |
| 7 | 0826017 | | 2 | PRISIONEIRO | STUD | ESPÁRRAGO | GOUJON |
| 8 | 77339 | | 4 | INJETOR - C.J. / FLANGE | ATOMISER ASSY | INYECTOR - C.J. | INJECTEUR |
| 9 | 37462401 | 8 | 4 | FLANGE | FLANGE | PLETINA | FLASQUE |
| 10 | 77340 | 8 | 4 | INJETOR - C.J. | ATOMISER ASSY | INYECTOR - C.J. | INJECTEUR |
| 11 | 77341 | 10 | 4 | BICO INJETOR | NOZZLE | TOBERA | NEZ INJECTEUR |
| 12 | 70920081 | | 4 | ARRUELA | WASHER | ARANDELA | RONDELLE |
| 13 | 3558X011 | | 1 | TUBO RETORNO | LEAK - OFF PIPE | CAÑO | TUYAUTERIE |
| 14 | 0095315 | | 3 | PARAFUSO BANJO | BANJO BOLT | TORNILLO BANJO | VIS BANJO |
| 15 | 70920083 | | 8 | ARRUELA | WASHER | ARANDELA | RONDELLE |
| 16 | 0096231 | | 8 | PARAFUSO | BOLT | TORNILLO | VIS |
| 17 | 70576101 | | 2 | PORCA | NUT | TUERCA | ÉCROU |
| 18 | 70730019 | | 4 | VEDADOR | SEAL | RETÉN | GUARNITURE |
| 19 | 70600001 | | 4 | ALMOFADA | DAMPER | AMORTIGUADOR | AMORTISSEUR |
| 20 | 0726260 | | 2 | PARAFUSO | BOLT | TORNILLO | VIS |
| 21 | 70576100 | | 2 | PORCA | NUT | TUERCA | ÉCROU |

TUBOS DE INJEÇÃO E INJETORES
FUEL INJECTION SYSTEM
EQUIPO DE INYECCIÓN
SYSTEME D'INJECTION

GRUPO
GROUP 48/118
GRUPO
GROUPE



TUBOS DE INJEÇÃO E INJETORES
FUEL INJECTION SYSTEM
EQUIPO DE INYECCIÓN
SYSTEME D'INJECTION

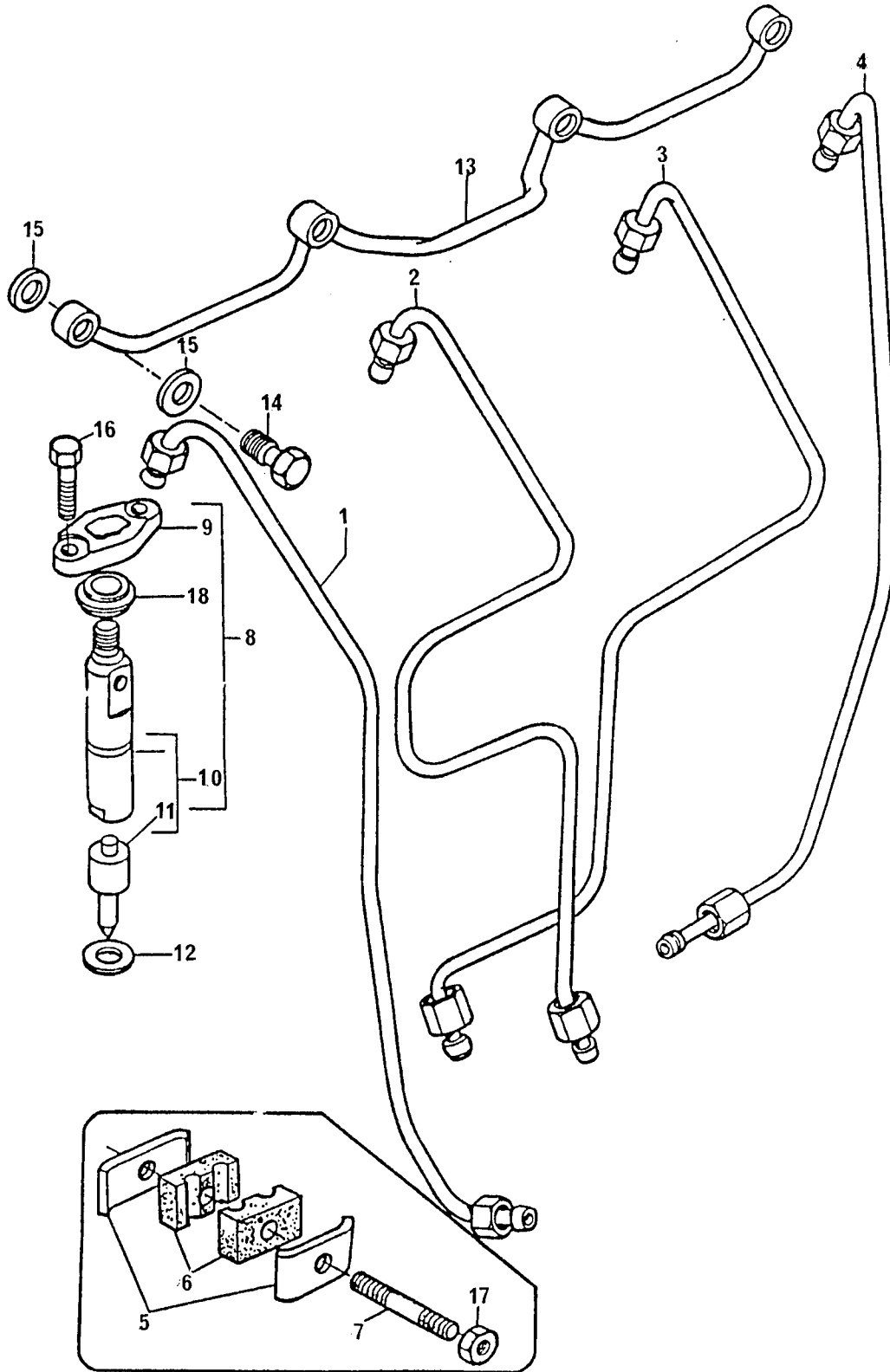
GRUPO
GROUP 48/118
GRUPO
GROUPE

| | | | | | | | |
|----|----------|----|---|-------------------------|-----------------|-----------------|---------------|
| 1 | 70992433 | | 1 | TUBO CIL. 1 | PIPE 1 CYL | CAÑO CIL 1 | TUYAUTERIE 1 |
| 2 | 70992434 | | 1 | TUBO CIL. 2 | PIPE 2 CYL | CAÑO CIL 2 | TUYAUTERIE 2 |
| 3 | 70992435 | | 1 | TUBO CIL. 3 | PIPE 3 CYL | CAÑO CIL 3 | TUYAUTERIE 3 |
| 4 | 70992436 | | 1 | TUBO CIL. 4 | PIPE 4 CYL | CAÑO CIL 4 | TUYAUTERIE 4 |
| 5 | 36516119 | | 2 | PRESILHA | CLIP | SUJETADOR | AGRAFE |
| 6 | 70600001 | | 2 | ALMOFADA | DAMPER | AMORTIGUADOR | AMORTISSEUR |
| 7 | 0826017 | | 2 | PRISIONEIRO | STUD | ESPÁRRAGO | GOUJON |
| 8 | 77271 | | 4 | INJETOR - C.J. / FLANGE | ATOMISER ASSY | INYECTOR - C.J. | INJECTEUR |
| 9 | 37462401 | 8 | 4 | FLANGE | FLANGE | PLETINA | FLASQUE |
| 10 | 2645K002 | 8 | 4 | INJETOR - C.J. | ATOMISER ASSY | INYECTOR - C.J. | INJECTEUR |
| 11 | 2645K602 | 10 | 4 | BICO INJETOR | NOZZLE | TOBERA | NEZ INJECTEUR |
| 12 | 70920081 | | 4 | ARRUELA | WASHER | ARANDELA | RONDELLE |
| 13 | 3558X011 | | 1 | TUBO RETORNO | LEAK - OFF PIPE | CAÑO | TUYAUTERIE |
| 14 | 0095315 | | 2 | PARAFUSO BANJO | BANJO BOLT | TORNILLO BANJO | VIS BANJO |
| 15 | 70920083 | | 8 | ARRUELA | WASHER | ARANDELA | RONDELLE |
| 16 | 0096231 | | 8 | PARAFUSO | BOLT | TORNILLO | VIS |
| 17 | 70576101 | | 2 | PORCA | NUT | TUERCA | ÉCROU |
| 18 | 70730019 | | 4 | VEDADOR | SEAL | RETÉN | GUARNITURE |

TUBOS DE INJEÇÃO E INJETORES
FUEL INJECTION SYSTEM
EQUIPO DE INYECCIÓN
SYSTEME D'INJECTION

GRUPO
GROUP
GRUPO
GROUPE

48/151



TUBOS DE INJEÇÃO E INJETORES
FUEL INJECTION SYSTEM
EQUIPO DE INYECCIÓN
SYSTEME D'INJECTION

GRUPO
GROUP
GRUPO
GROUPE

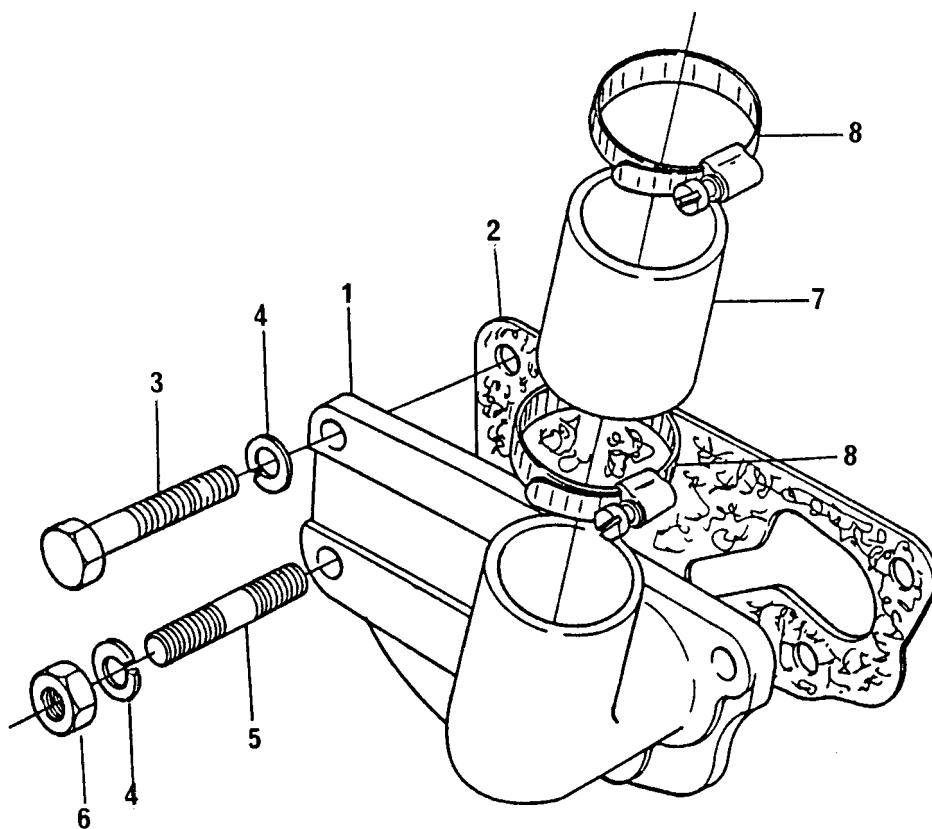
48/151

| | | | | | | | |
|----|----------|----|---|------------------------|-----------------|----------------|---------------|
| 1 | 70993220 | | 1 | TUBO CIL. 1 | PIPE 1 CYL | CAÑO CIL 1 | TUYAUTERIE 1 |
| 2 | 70993221 | | 1 | TUBO CIL. 2 | PIPE 2 CYL | CAÑO CIL 2 | TUYAUTERIE 2 |
| 3 | 70993222 | | 1 | TUBO CIL. 3 | PIPE 3 CYL | CAÑO CIL 3 | TUYAUTERIE 3 |
| 4 | 70993323 | | 1 | TUBO CIL. 4 | PIPE 4 CYL | CAÑO CIL 4 | TUYAUTERIE 4 |
| 5 | 36516119 | | 4 | PRESILHA | CLIP | SUJETADOR | AGRAFE |
| 6 | 70600001 | | 4 | ALMOFADA | DAMPER | AMORTIGUADOR | AMORTISSEUR |
| 7 | 0826017 | | 2 | PRISIONEIRO | STUD | ESPÁRRAGO | GOUJON |
| 8 | 77339 | | 4 | INJETOR - CJ. / FLANGE | ATOMISER ASSY | INJECTOR - CJ. | INJECTEUR |
| 9 | 37462401 | 8 | 4 | FLANGE | FLANGE | PLETINA | FLASQUE |
| 10 | 77340 | 8 | 4 | INJETOR - CJ. | ATOMISER ASSY | INJECTOR - CJ. | INJECTEUR |
| 11 | 77341 | 10 | 4 | BICO INJETOR | NOZZLE | TOBERA | NEZ INJECTEUR |
| 12 | 70920081 | | 4 | ARRUELA | WASHER | ARANDELA | RONDELLE |
| 13 | 3558X011 | | 1 | TUBO RETORNO | LEAK - OFF PIPE | CAÑO | TUYAUTERIE |
| 14 | 0095315 | | 3 | PARAFUSO BANJO | BANJO BOLT | TORNILLO BANJO | VIS BANJO |
| 15 | 70920083 | | 8 | ARRUELA | WASHER | ARANDELA | RONDELLE |
| 16 | 0096231 | | 8 | PARAFUSO | BOLT | TORNILLO | VIS |
| 17 | 70576101 | | 2 | PORCA | NUT | TUERCA | ÉCROU |
| 18 | 70730019 | | 4 | VEDADOR | SEAL | RETÉN | GUARNITURE |

CONEXÃO DE ENTRADA D'ÁGUA
WATER INLET CONNECTION
CONEXIÓN DE ENTRADA DE ÁGUA
RACCORD D'ENTRÉE D'EAU

GRUPO
GROUP
GRUPO
GROUPE

49/15



CONEXÃO DE ENTRADA D'ÁGUA
WATER INLET CONNECTION
CONEXIÓN DE ENTRADA DE ÁGUA
RACCORD D'ENTRÉE D'EAU

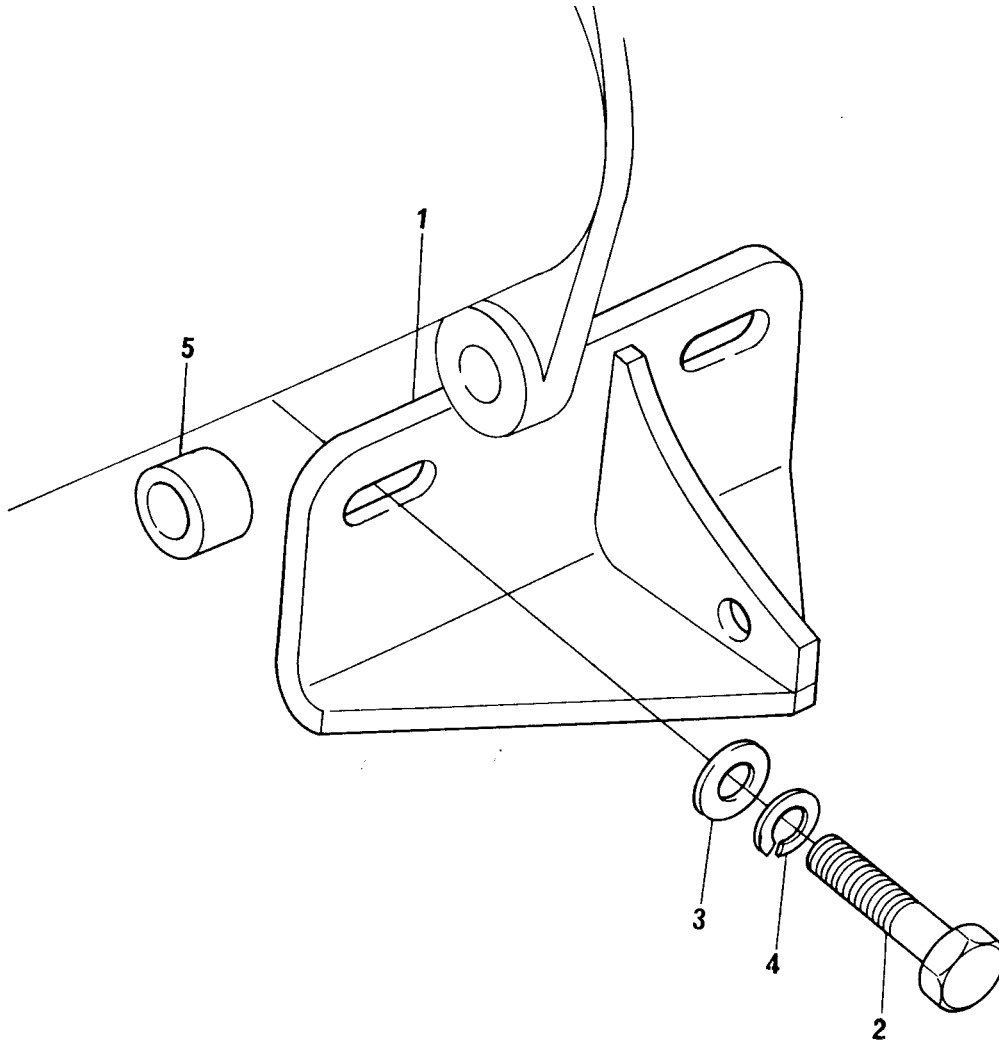
GRUPO
GROUP 49/15
GRUPO
GROUPE

| | | | | | | | |
|---|----------|-------------|---|-------------|------------|------------|----------|
| 1 | 70200451 | | 1 | CONEXÃO | CONNECTION | CONEXIÓN | RACCORD |
| 2 | 70490334 | ●○ 70490276 | 1 | JUNTA | JOINT | JUNTA | JOINT |
| 3 | 0746453 | | 3 | PARAFUSO | BOLT | TORNILLO | VIS |
| 4 | 0920054 | | 4 | ARRUELA | WASHER | ARANDELA | RONDELLE |
| 5 | 70820052 | | 1 | PRISIONEIRO | STUD | ESPÁRRAGO | GOUJON |
| 6 | 0576051 | | 1 | PORCA | NUT | TUERCA | ÉCROU |
| 7 | 33814311 | | 1 | MANGUEIRA | HOSE | MANGUERA | DURITE |
| 8 | 70180157 | | 2 | BRAÇADEIRA | CLAMP | ABRAZADERA | COLLIER |

ALTERNADOR E CORREIA
ALTERNATOR AND BELT
ALTERNADOR Y CORREA
ALTERNATEUR ET COURROIE

GRUPO
GROUP
GRUPO
GROUPE

50/58



ALTERNADOR E CORREIA
ALTERNATOR AND BELT
ALTERNADOR Y CORREA
ALTERNATEUR ET COURROIE

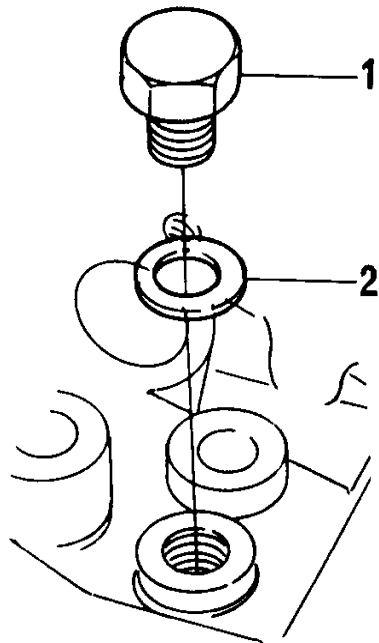
GRUPO
GROUP **50/58**
GRUPO
GROUPE

| | | | | | | |
|---|----------|---|-----------|---------|------------|------------|
| 1 | 70100329 | 1 | SUORTE | BRACKET | SOPORTE | SUPPORT |
| 2 | 0746453 | 2 | PARAFUSO | BOLT | TORNILLO | VIS |
| 3 | 0920005 | 2 | ARRUELA | WASHER | ARANDELA | RONDELLE |
| 4 | 0920054 | 2 | ARRUELA | WASHER | ARANDELA | RONDELLE |
| 5 | 0920465 | 1 | ESPAÇADOR | SPACER | ESPACIADOR | ENTRETOISE |

ITENS DE INSTALAÇÃO
FITTING ITEMS
PIEZAS DE INSTALACION
ARTICLES D'INSTALLATION

GRUPO
GROUP
GRUPO
GROUPE

52/98



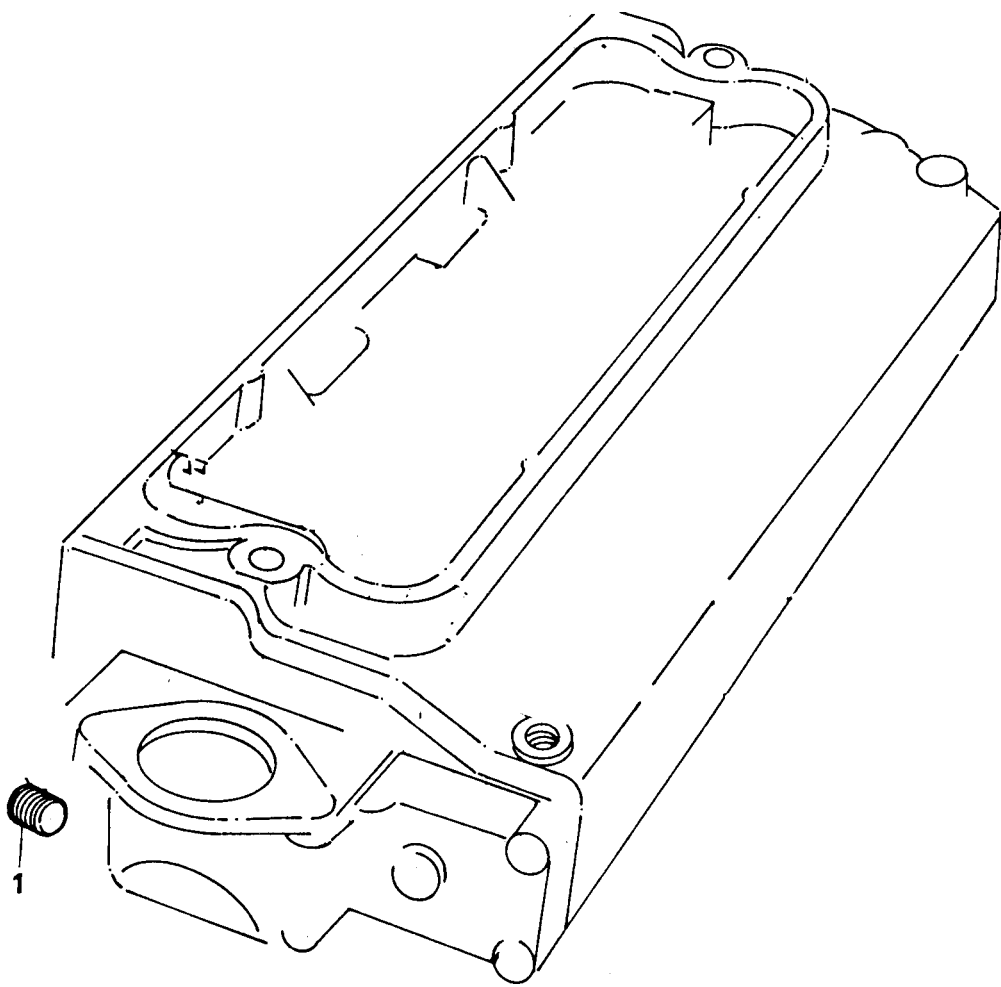
ITENS DE INSTALAÇÃO
FITTING ITEMS
PIEZAS DE INSTALACION
ARTICLES D'INSTALLATION

GRUPO
GROUP 52/98
GRUPO
GROUPE

| | | | | | | | | |
|---|----------|---|---------|---|---------|--------|----------|----------|
| 1 | 70650138 |  | 0650203 | 1 | BUJÃO | PLUG | TAPÓN | BOUCHON |
| 2 | 70920128 | | | 1 | ARRUELA | WASHER | ARANDELA | RONDELLE |

ITENS DE INSTALAÇÃO
FITTING ITEMS
PIEZAS DE INSTALACION
ARTICLES D'INSTALLATION

GRUPO
GROUP 52/226
GRUPO
GROUPE



ITENS DE INSTALAÇÃO
FITTING ITEMS
PIEZAS DE INSTALACION
ARTICLES D'INSTALLATION

GRUPO
GROUP 52/226
GRUPO
GROUPE

1 70650119

 2431154

1 BUJÃO

PLUG

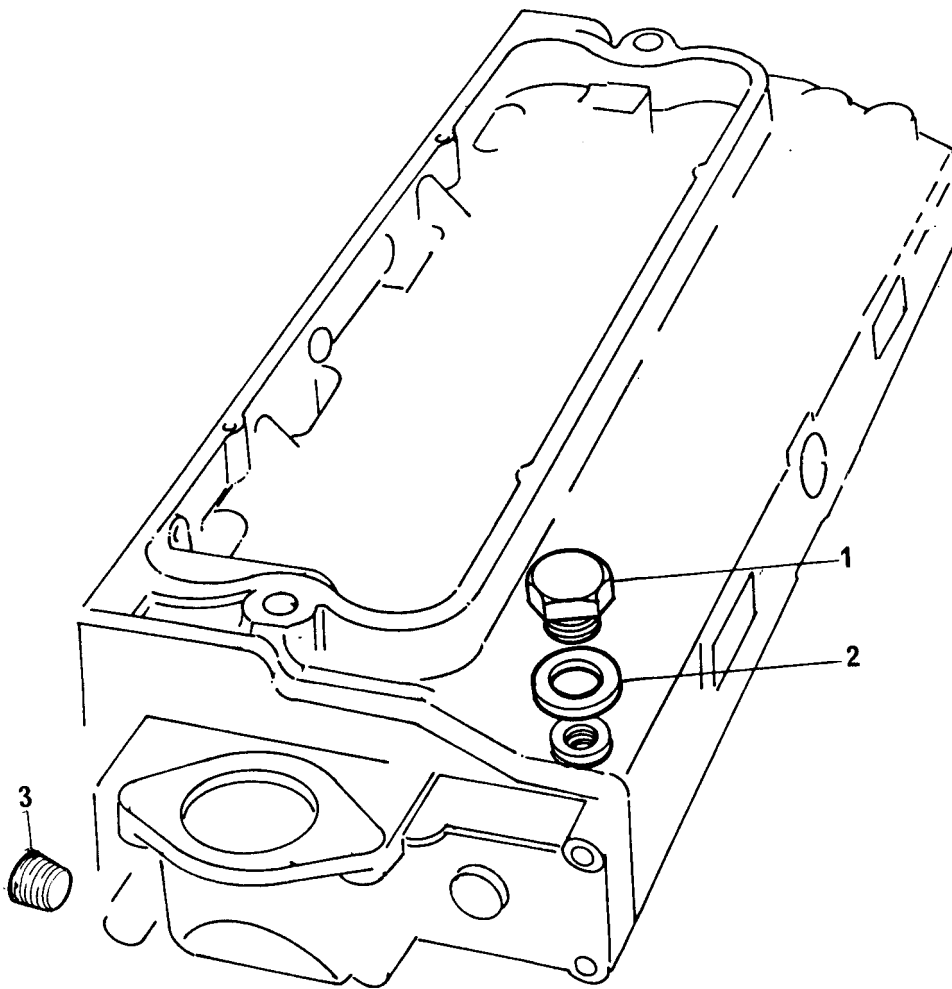
TAPÓN

BOUCHON

ITENS DE INSTALAÇÃO
FITTING ITEMS
PIEZAS DE INSTALACION
ARTICLES D'INSTALLATION


GRUPO
GROUP
GRUPO
GROUPE

52/292



ITENS DE INSTALAÇÃO
FITTING ITEMS
PIEZAS DE INSTALACION
ARTICLES D'INSTALLATION

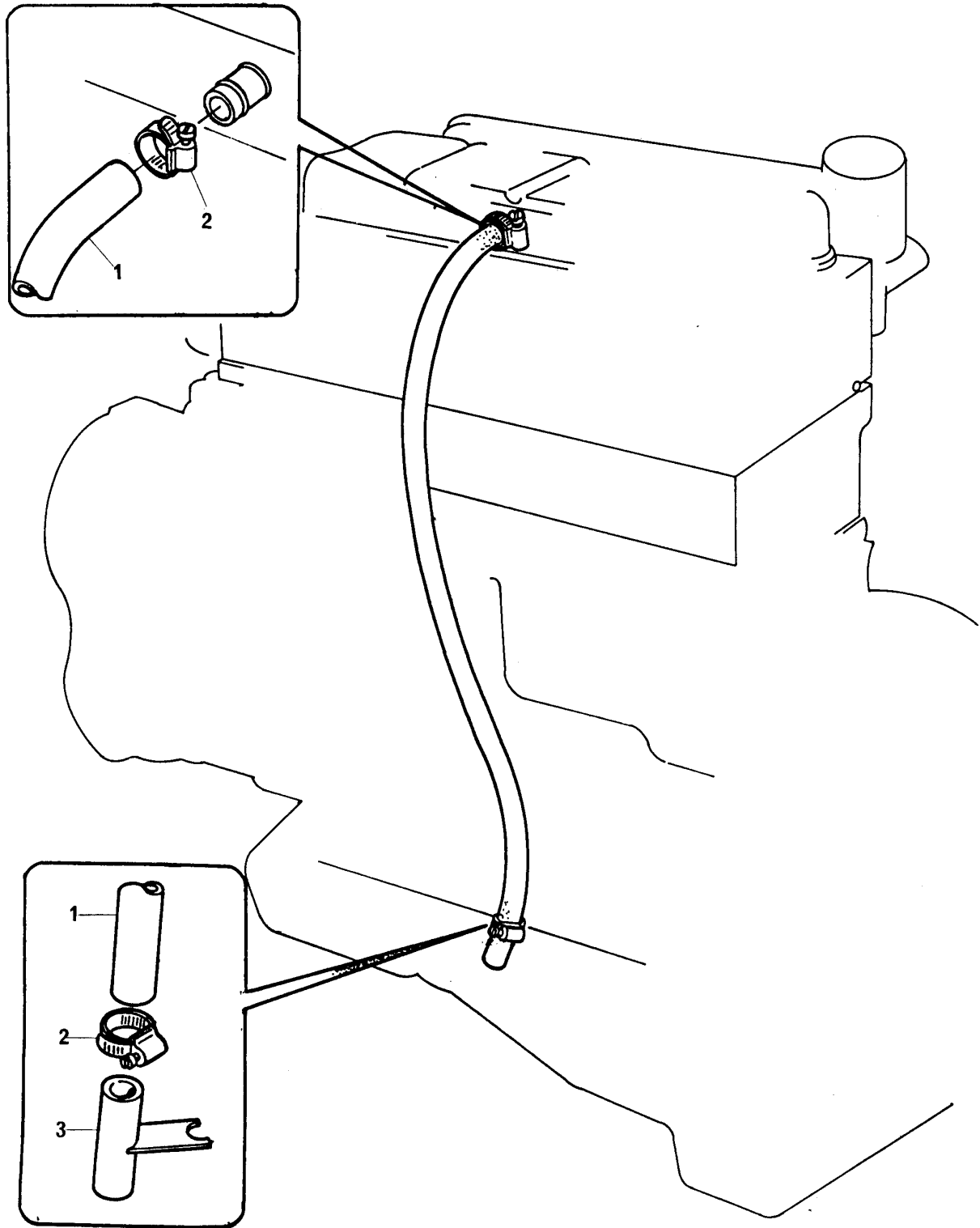
GRUPO
GROUP 52/292
GRUPO
GROUPE

| | | | | | | |
|---|----------|---|-----------|--------|----------|----------|
| 1 | 70650138 |  0650203 | 1 BUJÃO | PLUG | TAPÓN | BOUCHON |
| 2 | 70920128 | | 1 ARRUELA | WASHER | ARANDELA | RONDELLE |
| 3 | 70650119 | | 1 BUJÃO | PLUG | TAPÓN | BOUCHON |

RESPIRO DO MOTOR
ENGINE BREATHER
RESPIRADERO DEL MOTOR
RENIFLARD DU MOTEUR

GRUPO
GROUP
GRUPO
GROUPE

53/14



RESPIRO DO MOTOR
ENGINE BREATHER
RESPIRADERO DEL MOTOR
RENIFLARD DU MOTEUR

GRUPO
GROUP
GRUPO
GROUPE

53/14

1 70620711
2 70180153
3 35731144

1 MANGUEIRA
2 BRAÇADEIRA
1 TUBO

HOSE
CLAMP
PIPE

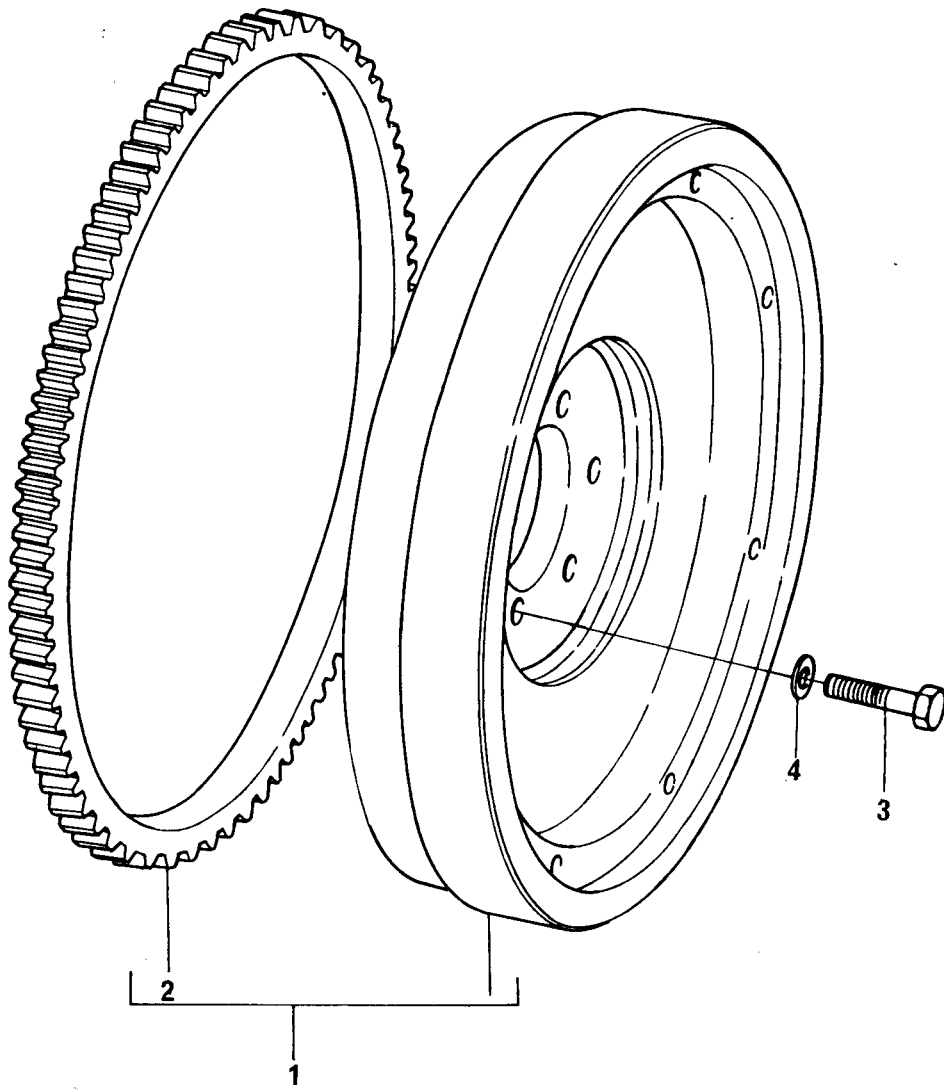
MANGUERA
ABRAZADERA
CAÑO

DURITE
COLLIER
TUYAUTERIE

VOLANTE E CREMALHEIRA
FLYWHEEL AND STARTER RING
VOLANTE Y CORONA
VOLANT ET COURONE


GRUPO
GROUP
GRUPO
GROUPE

55/63



VOLANTE E CREMALHEIRA
FLYWHEEL AND STARTER RING
VOLANTE Y CORONA
VOLANT ET COURONE

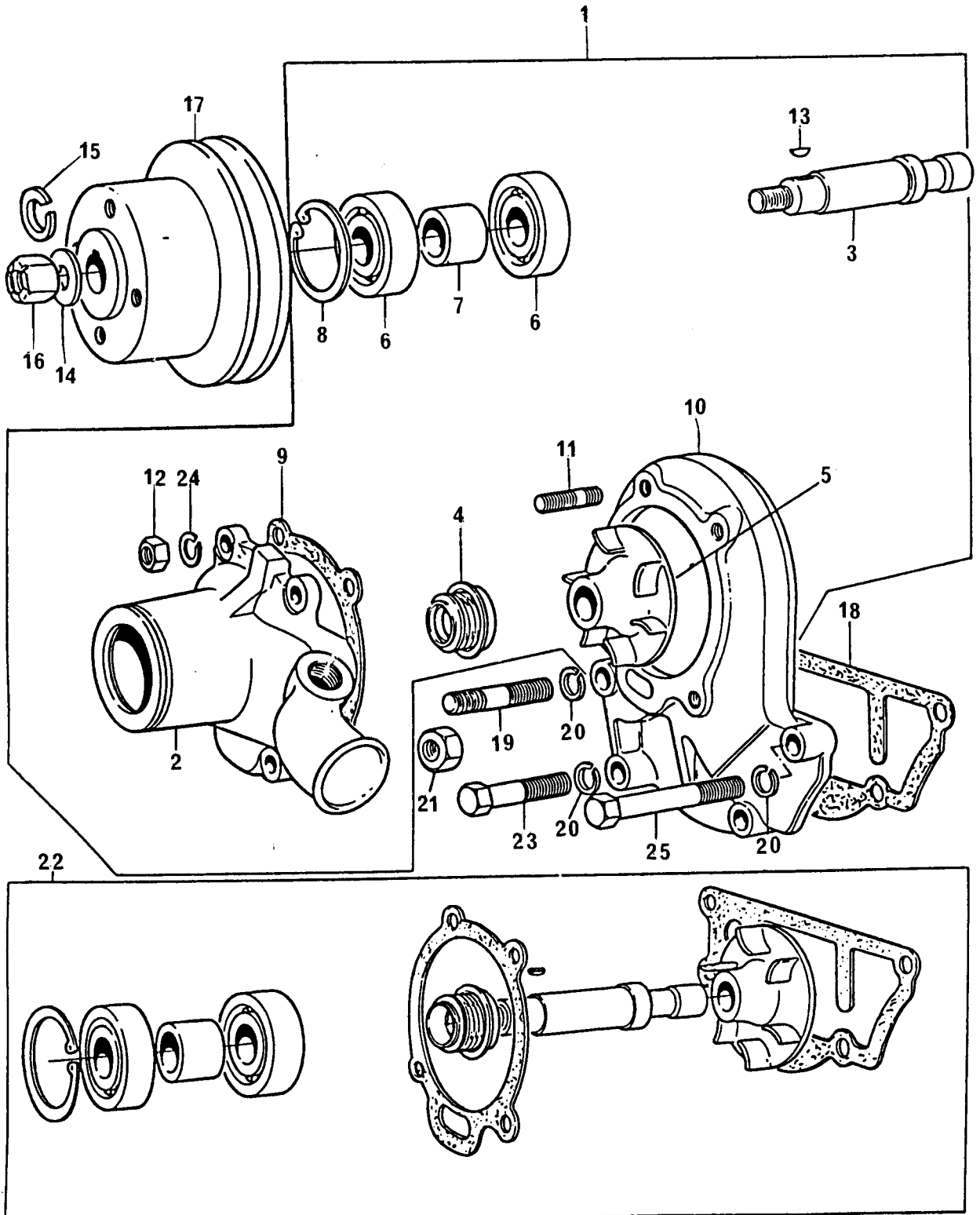
GRUPO
GROUP 55/63
GRUPO
GROUPE

| | | | | | | | | | |
|---|----------|---|---------|-----|---|-------------|--------------|----------|----------|
| 1 | 70991031 |  | 3408361 | M91 | 1 | VOLANTE | FLYWHEEL | VOLANTE | VOLANTE |
| 2 | 0410236 | 1 | | | 1 | CREMALHEIRA | STARTER RING | CORONA | COURONNE |
| 3 | 70740063 | | | | 6 | PARAFUSO | BOLT | TORNILLO | VIS |
| 4 | 33117121 | | | | 6 | ARRUELA | WASHER | ARANDELA | RONDELLE |

BOMBA D'ÁGUA
WATER PUMP
BOMBA DE AGUA
POMPE À EAU

GRUPO
GROUP
GRUPO
GROUPE

56/26



BOMBA D'ÁGUA
WATER PUMP
BOMBA DE AGUA
POMPE À EAU

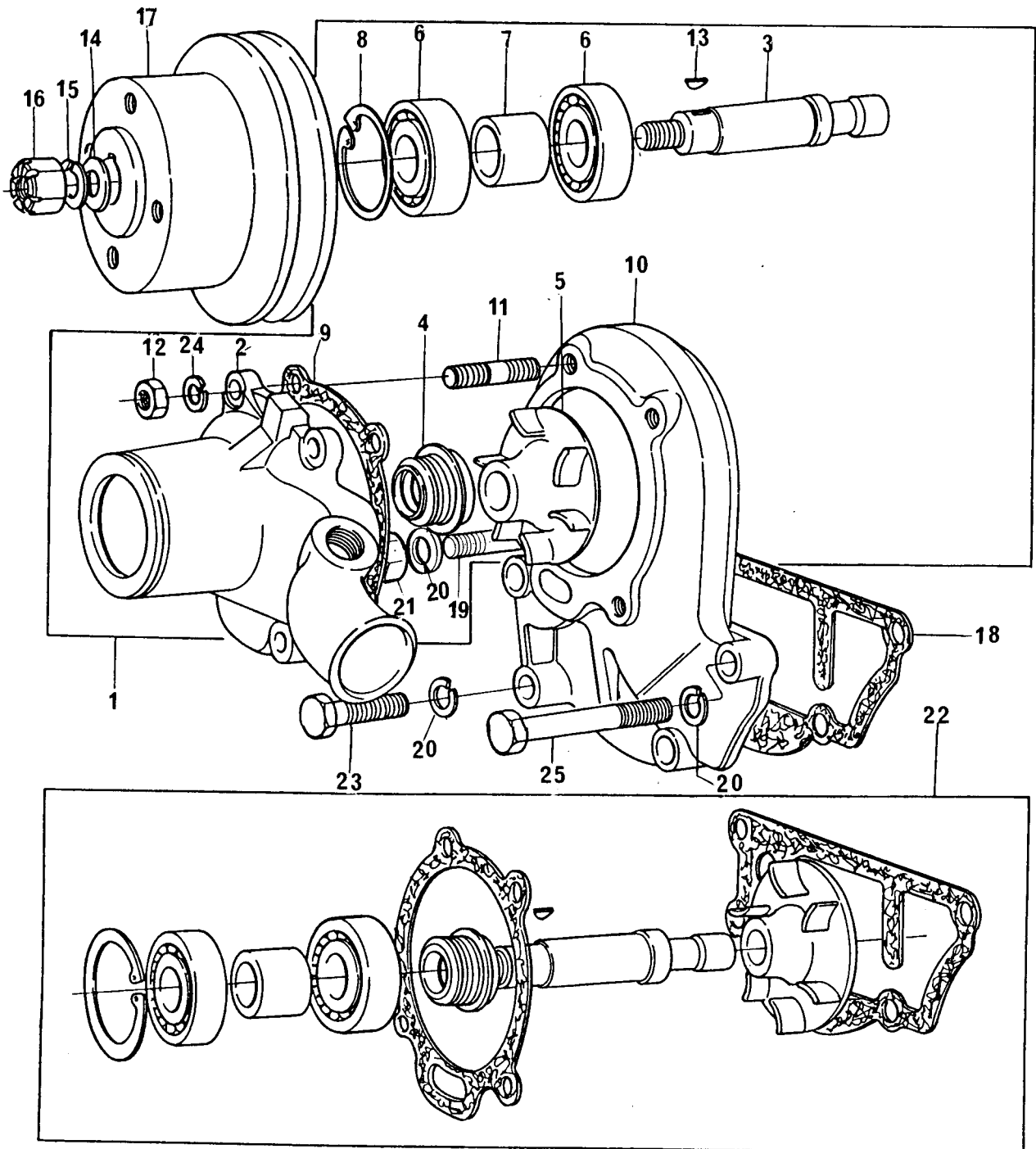
GRUPO
GROUP
GRUPO
GROUPE

56/26

| | | | | | | |
|----|----------|----|--------------------|------------|------------------|----------------|
| 1 | 424875 | | 1 BOMBA D'ÁGUA | WATER PUMP | BOMBA DE ÁGUA | POMPE À EAU |
| 2 | | 1 | 1 CORPO | BODY | CUERPO | CORPS |
| 3 | | 22 | 1 EIXO | SHAFT | EJE | ARBRE |
| 4 | | 22 | 1 VEDADOR TRASEIRO | REAR SEAL | RETÉN TRASERO | GUARNITURE |
| 5 | | 22 | 1 ROTOR | IMPELLER | TURBINA | TURBINE |
| 6 | | 22 | 2 ROLAMENTO | BEARING | COJINETE | ROULEMENT |
| 7 | | 22 | 1 ESPAÇADOR | SPACER | ESPACIADOR | ENTRETOISE |
| 8 | 0170040 | 22 | 1 ANEL TRAVA | CIRCLIP | ARO RETÉN | CIRCLIP |
| 9 | 70490341 | 22 | 1 JUNTA | JOINT | JUNTA | JOINT |
| 10 | 4236252 | | 1 CORPO TRASEIRO | REAR BODY | CUERPO TRASERO | CORPS ARRIERE |
| 11 | 70820084 | | 4 PRISIONEIRO | STUD | ESPÁRRAGO | GOUJON |
| 12 | 0576002 | | 4 PORCA | NUT | TUERCA | ÉCROU |
| 13 | 0500006 | 22 | 1 CHAVETA | KEY | CHAVETA | CLAVETTE |
| 14 | 0920009 | | 1 ARRUELA | WASHER | ARANDELA | RONDELLE |
| 15 | 0920058 | | 1 ARRUELA | WASHER | ARANDELA | RONDELLE |
| 16 | 0576007 | | 1 PORCA | NUT | TUERCA | ÉCROU |
| 17 | 70670091 | | 1 POLIA | PULLEY | POLEA | POULIE |
| 18 | 70490412 | 22 | 1 JUNTA | JOINT | JUNTA | JOINT |
| 19 | 70820056 | | 1 PRISIONEIRO | STUD | ESPÁRRAGO | GOUJON |
| 20 | 0920054 | | 4 ARRUELA | WASHER | ARANDELA | RONDELLE |
| 21 | 0576052 | | 1 PORCA | NUT | TUERCA | ÉCROU |
| 22 | 424857 | 1 | 1 JOGO DE REPARO | REPAIR KIT | JUEGO REPARACIÓN | JEU RÉPARATION |
| 23 | 0096434 | | 2 PARAFUSO | BOLT | TORNILLO | VIS |
| 24 | 0920053 | | 4 ARRUELA | WASHER | ARANDELA | RONDELLE |
| 25 | 0096439 | | 1 PARAFUSO | BOLT | TORNILLO | VIS |

BOMBA D'ÁGUA
WATER PUMP
BOMBA DE AGUA
POMPE À EAU

GRUPO
GROUP 56/69
GRUPO
GROUPE



BOMBA D'ÁGUA
WATER PUMP
BOMBA DE AGUA
POMPE À EAU

GRUPO
GROUP
GRUPO
GROUPE

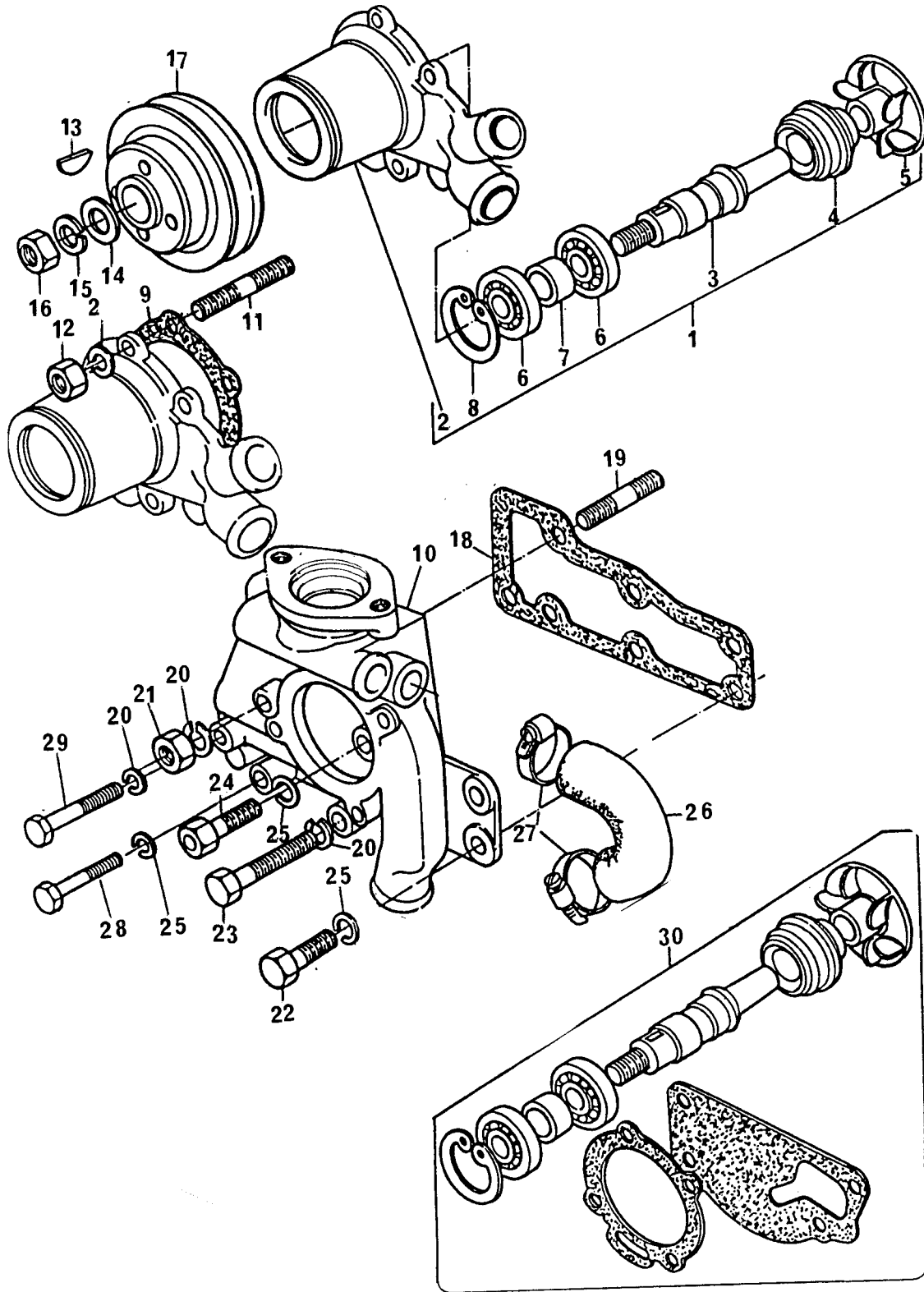
56/69

| | | | | | | |
|----|----------|----|--------------------|------------|------------------|----------------|
| 1 | 4236253 | | 1 BOMBA D'ÁGUA | WATER PUMP | BOMBA DE ÁGUA | POMPE À EAU |
| 2 | | 1 | 1 CORPO | BODY | CUERPO | CORPS |
| 3 | | 22 | 1 EIXO | SHAFT | EJE | ARBRE |
| 4 | | 22 | 1 VEDADOR TRASEIRO | REAR SEAL | RETÉN TRASERO | GUARNITURE |
| 5 | | 22 | 1 ROTOR | IMPELLER | TURBINA | TURBINE |
| 6 | | 22 | 2 ROLAMENTO | BEARING | COJINETE | ROULEMENT |
| 7 | | 22 | 1 ESPAÇADOR | SPACER | ESPACIADOR | ENTRETOISE |
| 8 | 0170040 | 22 | 1 ANEL TRAVA | CIRCLIP | ARO RETÉN | CIRCLIP |
| 9 | 70490341 | 22 | 1 JUNTA | JOINT | JUNTA | JOINT |
| 10 | 4236252 | | 1 CORPO TRASEIRO | REAR BODY | CUERPO TRASERO | CORPS ARRIERE |
| 11 | 70820084 | | 4 PRISIONEIRO | STUD | ESPÁRRAGO | GOUJON |
| 12 | 0576002 | | 4 PORCA | NUT | TUERCA | ÉCROU |
| 13 | 0500006 | 22 | 1 CHAVETA | KEY | CHAVETA | CLAVETTE |
| 14 | 0920009 | | 1 ARRUELA | WASHER | ARANDELA | RONDELLE |
| 15 | 0920058 | | 1 ARRUELA | WASHER | ARANDELA | RONDELLE |
| 16 | 0576007 | | 1 PORCA | NUT | TUERCA | ÉCROU |
| 17 | 70670091 | | 1 POLIA | PULLEY | POLEA | POULIE |
| 18 | 70490412 | 22 | 1 JUNTA | JOINT | JUNTA | JOINT |
| 19 | 70820048 | | 1 PRISIONEIRO | STUD | ESPÁRRAGO | GOUJON |
| 20 | 0920054 | | 4 ARRUELA | WASHER | ARANDELA | RONDELLE |
| 21 | 0576052 | | 1 PORCA | NUT | TUERCA | ÉCROU |
| 22 | 424857 | 1 | 1 JOGO DE REPARO | REPAIR KIT | JUEGO REPARACIÓN | JEU RÉPARATION |
| 23 | 0096434 | | 2 PARAFUSO | BOLT | TORNILLO | VIS |
| 24 | 0920053 | | 4 ARRUELA | WASHER | ARANDELA | RONDELLE |
| 25 | 0096439 | | 1 PARAFUSO | BOLT | TORNILLO | VIS |

BOMBA D'ÁGUA
WATER PUMP
BOMBA DE AGUA
POMPE À EAU




GRUPO
GROUP
GRUPO
GROUPE

56/78



BOMBA D'ÁGUA
WATER PUMP
BOMBA DE AGUA
POMPE À EAU

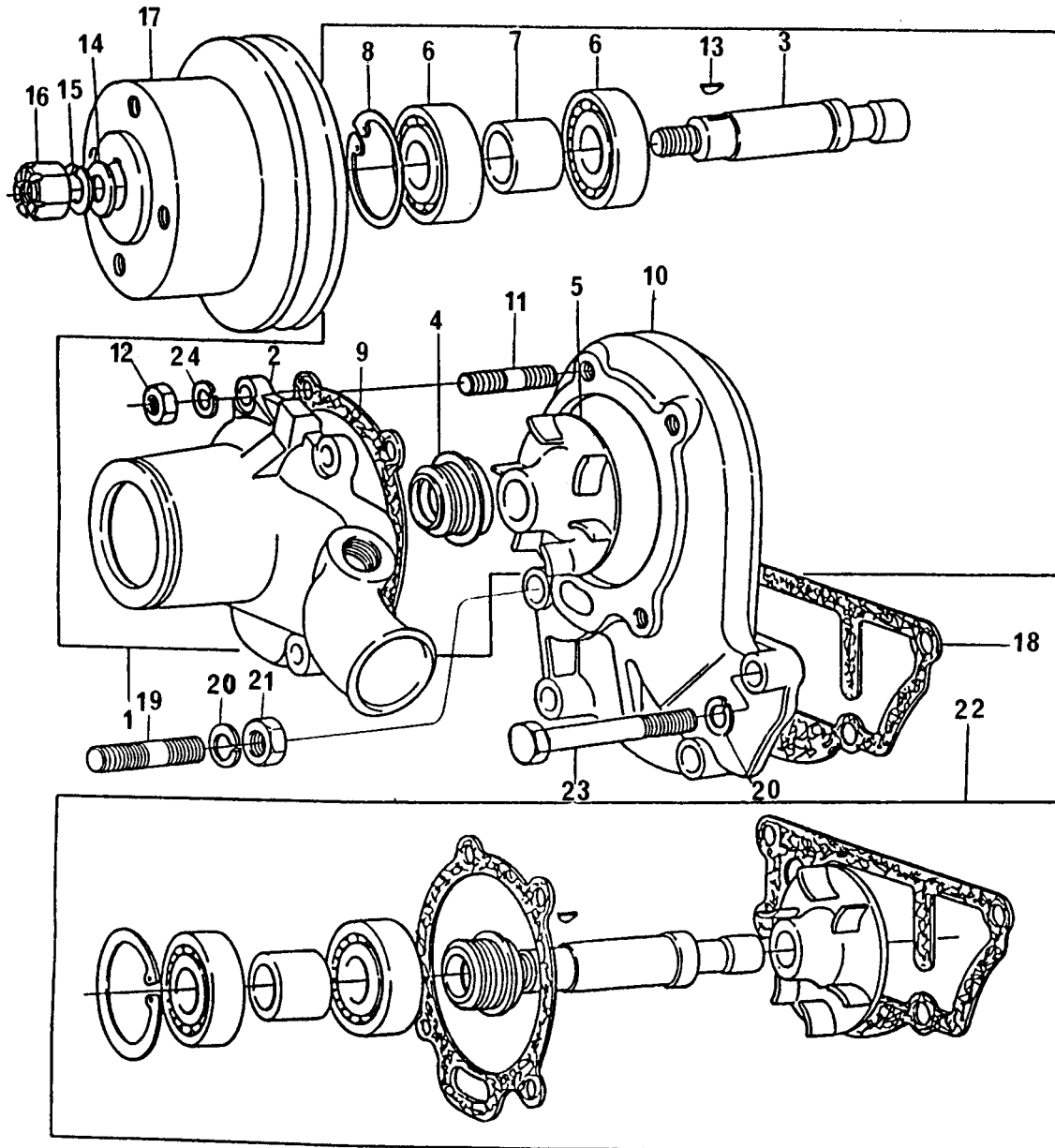
GRUPO
GROUP 56/78
GRUPO
GROUPE

| | | | | | | |
|----|----------|---|--------------------|------------|------------------|----------------|
| 1 | 4236254 | | 1 BOMBA D'ÁGUA | WATER PUMP | BOMBA DE ÁGUA | POMPE À EAU |
| 2 | | 1 | 1 CORPO | BODY | CUERPO | CORPS |
| 3 | | 30 | 1 EIXO | SHAFT | EJE | ARBRE |
| 4 | | 30 | 1 VEDADOR TRASEIRO | REAR SEAL | RETÉN TRASERO | GUARNITURE |
| 5 | | 30 | 1 ROTOR | IMPELLER | TURBINA | TURBINE |
| 6 | | 30 | 2 ROLAMENTO | BEARING | COJINETE | ROULEMENT |
| 7 | | 30 | 1 ESPAÇADOR | SPACER | ESPACIADOR | ENTRETOISE |
| 8 | 70998010 | 30 | 1 ANEL TRAVA | CIRCLIP | ARO RETÉN | CIRCLIP |
| 9 | 70490341 | 30  38666721 | 1 JUNTA | JOINT | JUNTA | JOINT |
| 10 | 4236255 | | 1 CORPO TRASEIRO | REAR BODY | CUERPO TRASERO | CORPS ARRIERE |
| 11 | 70820084 | | 4 PRISIONEIRO | STUD | ESPÁRRAGO | GOUJON |
| 12 | 0576002 | | 4 PORCA | NUT | TUERCA | ÉCROU |
| 13 | 0500006 | 30 | 1 CHAVETA | KEY | CHAVETA | CLAVETTE |
| 14 | 0920009 | | 1 ARRUELA | WASHER | ARANDELA | RONDELLE |
| 15 | 0920058 | | 1 ARRUELA | WASHER | ARANDELA | RONDELLE |
| 16 | 0576007 | | 1 PORCA | NUT | TUERCA | ÉCROU |
| 17 | 3113V021 | | 1 POLIA | PULLEY | POLEA | POULIE |
| 18 | 70490408 | 30  36853514 | 1 JUNTA | JOINT | JUNTA | JOINT |
| 19 | 0826479 | | 1 PRISIONEIRO | STUD | ESPÁRRAGO | GOUJON |
| 20 | 0920054 | | 4 ARRUELA | WASHER | ARANDELA | RONDELLE |
| 21 | 0576051 | | 1 PORCA | NUT | TUERCA | ÉCROU |
| 22 | 0746454 | | 2 PARAFUSO | BOLT | TORNILLO | VIS |
| 23 | 0096234 | | 1 PARAFUSO | BOLT | TORNILLO | VIS |
| 24 | 0096231 | | 1 PARAFUSO | BOLT | TORNILLO | VIS |
| 25 | 0920053 | | 7 ARRUELA | WASHER | ARANDELA | RONDELLE |
| 26 | 70200874 |  3482T004 | 1 MANGUEIRA | HOSE | MANGUEIRA | DURITE |
| 27 | 70180156 | | 2 BRAÇADEIRA | CLAMP | ABRAZADERA | COLLIER |
| 28 | 0096238 | | 1 PARAFUSO | BOLT | TORNILLO | VIS |
| 29 | 0096439 | | 1 PARAFUSO | BOLT | TORNILLO | VIS |
| 30 | 4236120 | 1 | 1 JOGO DE REPARO | REPAIR KIT | JUEGO REPARACIÓN | JEU RÉPARATION |

BOMBA D'ÁGUA
WATER PUMP
BOMBA DE AGUA
POMPE À EAU

GRUPO
GROUP
GRUPO
GROUPE

56/107



BOMBA D'ÁGUA
WATER PUMP
BOMBA DE AGUA
POMPE À EAU

GRUPO
GROUP
GRUPO
GROUPE

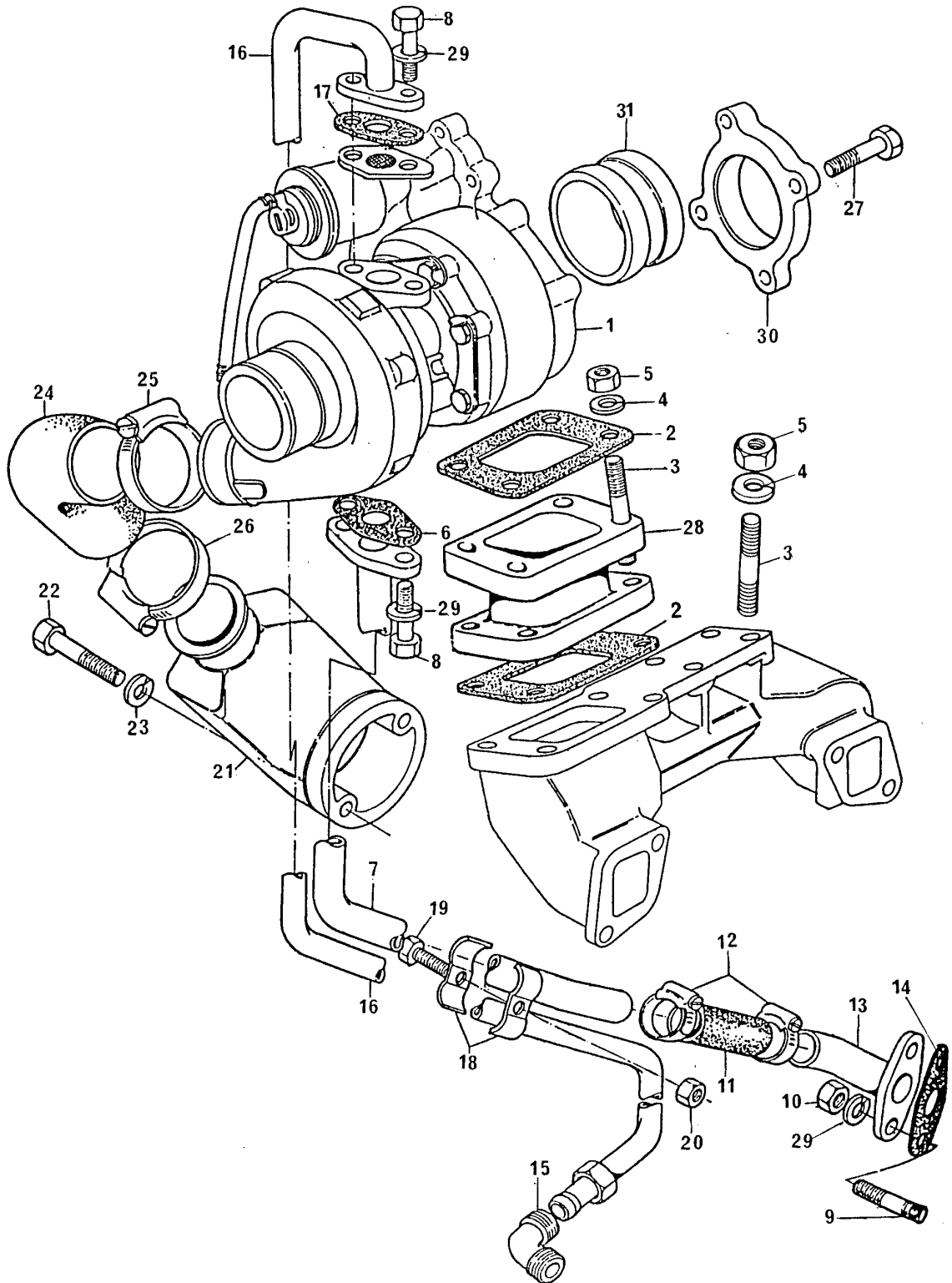
56/107

| | | | | | | |
|----|----------|----|--------------------|------------|------------------|----------------|
| 1 | 4236253 | | 1 BOMBA D'ÁGUA | WATER PUMP | BOMBA DE ÁGUA | POMPE À EAU |
| 2 | | 1 | 1 CORPO | BODY | CUERPO | CORPS |
| 3 | | 22 | 1 EIXO | SHAFT | EJE | ARBRE |
| 4 | | 22 | 1 VEDADOR TRASEIRO | REAR SEAL | RETÉN TRASERO | GUARNITURE |
| 5 | | 22 | 1 ROTOR | IMPELLER | TURBINA | TURBINE |
| 6 | | 22 | 2 ROLAMENTO | BEARING | COJINETE | ROULEMENT |
| 7 | | 22 | 1 ESPAÇADOR | SPACER | ESPACIADOR | ENTRETOISE |
| 8 | 0170040 | 22 | 1 ANEL TRAVA | CIRCLIP | ARO RETÉN | CIRCLIP |
| 9 | 70490341 | 22 | 1 JUNTA | JOINT | JUNTA | JOINT |
| 10 | 4236252 | | 1 CORPO TRASEIRO | REAR BODY | CUERPO TRASERO | CORPS ARRIERE |
| 11 | 70820084 | | 4 PRISIONEIRO | STUD | ESPÁRRAGO | GOUJON |
| 12 | 0576002 | | 4 PORCA | NUT | TUERCA | ÉCROU |
| 13 | 0500006 | 22 | 1 CHAVETA | KEY | CHAVETA | CLAVETTE |
| 14 | 0920009 | | 1 ARRUELA | WASHER | ARANDELA | RONDELLE |
| 15 | 0920058 | | 1 ARRUELA | WASHER | ARANDELA | RONDELLE |
| 16 | 0576007 | | 1 PORCA | NUT | TUERCA | ÉCROU |
| 17 | 70670098 | | 1 POLIA | PULLEY | POLEA | POULIE |
| 18 | 70490412 | 22 | 1 JUNTA | JOINT | JUNTA | JOINT |
| 19 | 70820048 | | 1 PRISIONEIRO | STUD | ESPÁRRAGO | GOUJON |
| 20 | 0920054 | | 4 ARRUELA | WASHER | ARANDELA | RONDELLE |
| 21 | 0576052 | | 1 PORCA | NUT | TUERCA | ÉCROU |
| 22 | 424857 | 1 | 1 JOGO DE REPARO | REPAIR KIT | JUEGO REPARACIÓN | JEU RÉPARATION |
| 23 | 0096434 | | 3 PARAFUSO | BOLT | TORNILLO | VIS |
| 24 | 0920053 | | 4 ARRUELA | WASHER | ARANDELA | RONDELLE |

INSTALAÇÃO DO TURBO
TURBOCHARGER INSTALLATION
INSTALACIÓN DEL TURBO
INSTALLATION DU TURBO -COMPRESSEUR

GRUPO
GROUP
GRUPO
GROUPE

58/07



INSTALAÇÃO DO TURBO
TURBOCHARGER INSTALLATION
INSTALACIÓN DEL TURBO
INSTALLATION DU TURBO -COMPRESSEUR

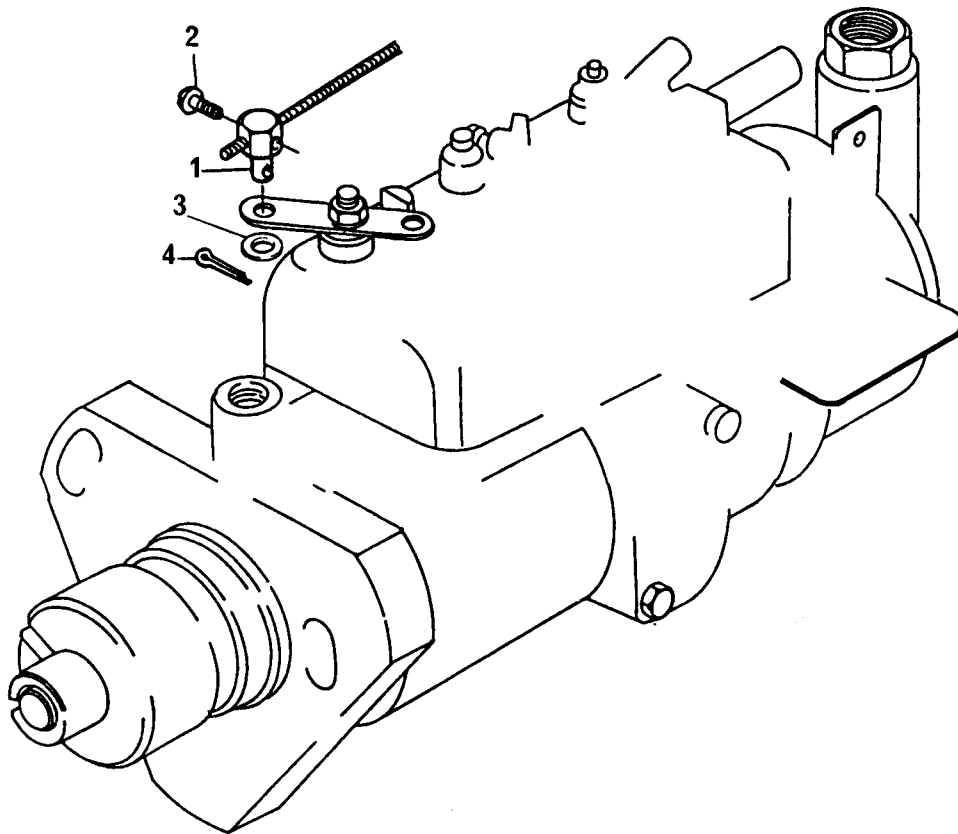
GRUPO
GROUP 58/07
GRUPO
GROUPE

| | | | | | |
|----|----------|---------------|----------|------------|------------------|
| 1 | 79007 | 1 TURBO | TURBO | TURBINA | AVEC COMPRESSEUR |
| 2 | 36885008 | 2 JUNTA | JOINT | JUNTA | JOINT |
| 3 | 0826403 | 8 PRISIONEIRO | STUD | ESPÁRRAGO | GOUJON |
| 4 | 0920005 | 8 ARRUELA | WASHER | ARANDELA | RONDELLE |
| 5 | 70570064 | 8 PORCA | NUT | TUERCA | ÉCROU |
| 6 | 36832135 | 1 JUNTA | JOINT | JUNTA | JOINT |
| 7 | 3571C009 | 1 TUBO | PIPE | CAÑO | TUYAUTERIE |
| 8 | 2314C044 | 4 PARAFUSO | BOLT | TORNILLO | VIS |
| 9 | 70820083 | 2 PRISIONEIRO | STUD | ESPÁRRAGO | GOUJON |
| 10 | 0576002 | 2 PORCA | NUT | TUERCA | ÉCROU |
| 11 | 33851119 | 1 MANGUEIRA | HOSE | MANGUERA | DURITE |
| 12 | 70180154 | 2 BRAÇADEIRA | CLAMP | ABRAZADERA | COLLIER |
| 13 | 70992016 | 1 TUBO | PIPE | CAÑO | TUYAUTERIE |
| 14 | 36861454 | 1 JUNTA | JOINT | JUNTA | JOINT |
| 15 | 70200636 | 1 COTOVELO | ELBOW | CODO | COUDE |
| 16 | 70992017 | 1 TUBO | PIPE | CAÑO | TUYAUTERIE |
| 17 | 36832131 | 1 JUNTA | JOINT | JUNTA | JOINT |
| 18 | 3667N002 | 2 PRESILHA | CLIP | SUJETADOR | AGRAFE |
| 19 | 0726262 | 1 PARAFUSO | BOLT | TORNILLO | VIS |
| 20 | 70576100 | 1 PORCA | NUT | TUERCA | ÉCROU |
| 21 | 3765K031 | 1 DIFUSOR | DIFFUSER | DIFUSOR | DIFUSEUR |
| 22 | 2232151 | 2 PARAFUSO | BOLT | TORNILLO | VIS |
| 23 | 0920004 | 2 ARRUELA | WASHER | ARANDELA | RONDELLE |
| 24 | 70200440 | 1 MANGUEIRA | HOSE | MANGUERA | DURITE |
| 25 | 70180158 | 1 BRAÇADEIRA | CLAMP | ABRAZADERA | COLLIER |
| 26 | 70180159 | 1 BRAÇADEIRA | CLAMP | ABRAZADERA | COLLIER |
| 27 | 2314C045 | 4 PARAFUSO | BOLT | TORNILLO | VIS |
| 28 | 70540099 | 1 ADAPTADOR | ADAPTOR | ADAPTADOR | ADAPTATEUR |
| 29 | 0920053 | 6 ARRUELA | WASHER | ARANDELA | RONDELLE |
| 30 | 3743E021 | 1 ADAPTADOR | ADAPTOR | ADAPTADOR | ADAPTATEUR |
| 31 | 3342K701 | 1 LUVA | SLEEVE | MANGUITO | MANCHON |

CONTROLES
CONTROLS
CONTROLES
CONTRÔLES

GRUPO
GROUP
GRUPO
GROUPE

73/19



CONTROLES
CONTROLS
CONTROLES
CONTRÔLES

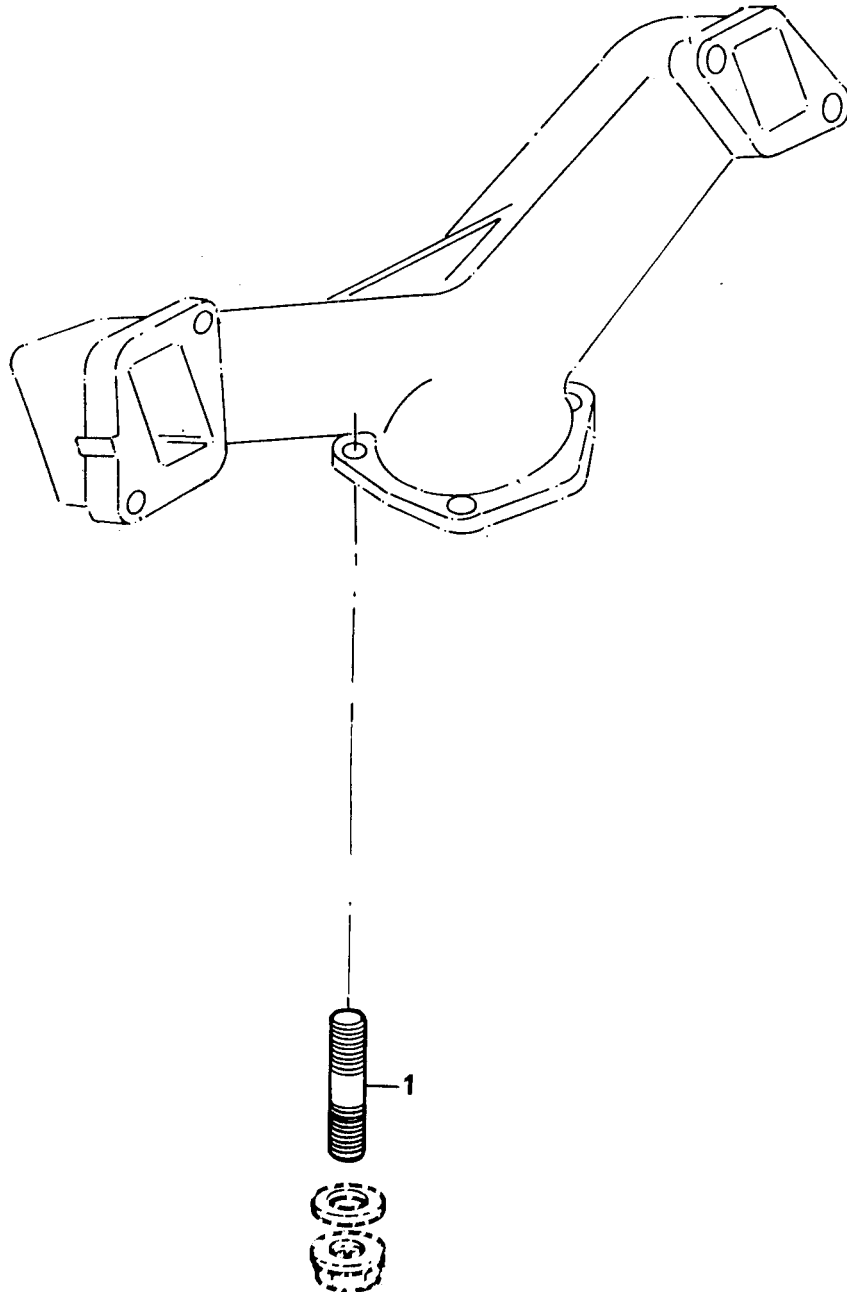
GRUPO
GROUP
GRUPO
GROUPE

73/19

| | | | | | | |
|---|----------|---|-------------|------------|---------------|----------|
| 1 | 70610010 | 1 | PINO | PIN | PERNO | AXE |
| 2 | 0726504 | 1 | PARAFUSO | BOLT | TORNILLO | VIS |
| 3 | 0920024 | 1 | ARRUELA | WASHER | ARANDELA | RONDELLE |
| 4 | 0610031 | 1 | CONTRA PINO | COTTER PIN | PASADOR DOBLE | GOUPILLE |

SISTEMA DE ESCAPE
EXHAUST SYSTEM
SISTEMA DE ESCAPE
SYSTEME D'ÉCHAPPEMENT

GRUPO
GROUP 74/36
GRUPO
GROUPE



SISTEMA DE ESCAPE
EXHAUST SYSTEM
SISTEMA DE ESCAPE
SYSTEME D'ÉCHAPPEMENT

GRUPO
GROUP 74/36
GRUPO
GROUPE

1 0826427

3 PRISIONEIRO

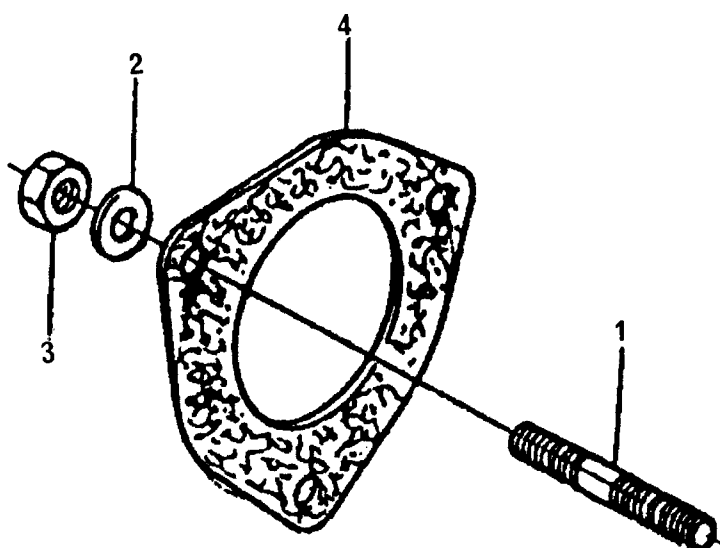
STUD

ESPÁRRAGO

GOUJON

SISTEMA DE ESCAPE
EXHAUST SYSTEM
SISTEMA DE ESCAPE
SYSTEME D'ÉCHAPPEMENT

GRUPO
GROUP 74/48
GRUPO
GROUPE



SISTEMA DE ESCAPE
EXHAUST SYSTEM
SISTEMA DE ESCAPE
SYSTEME D'ÉCHAPPEMENT

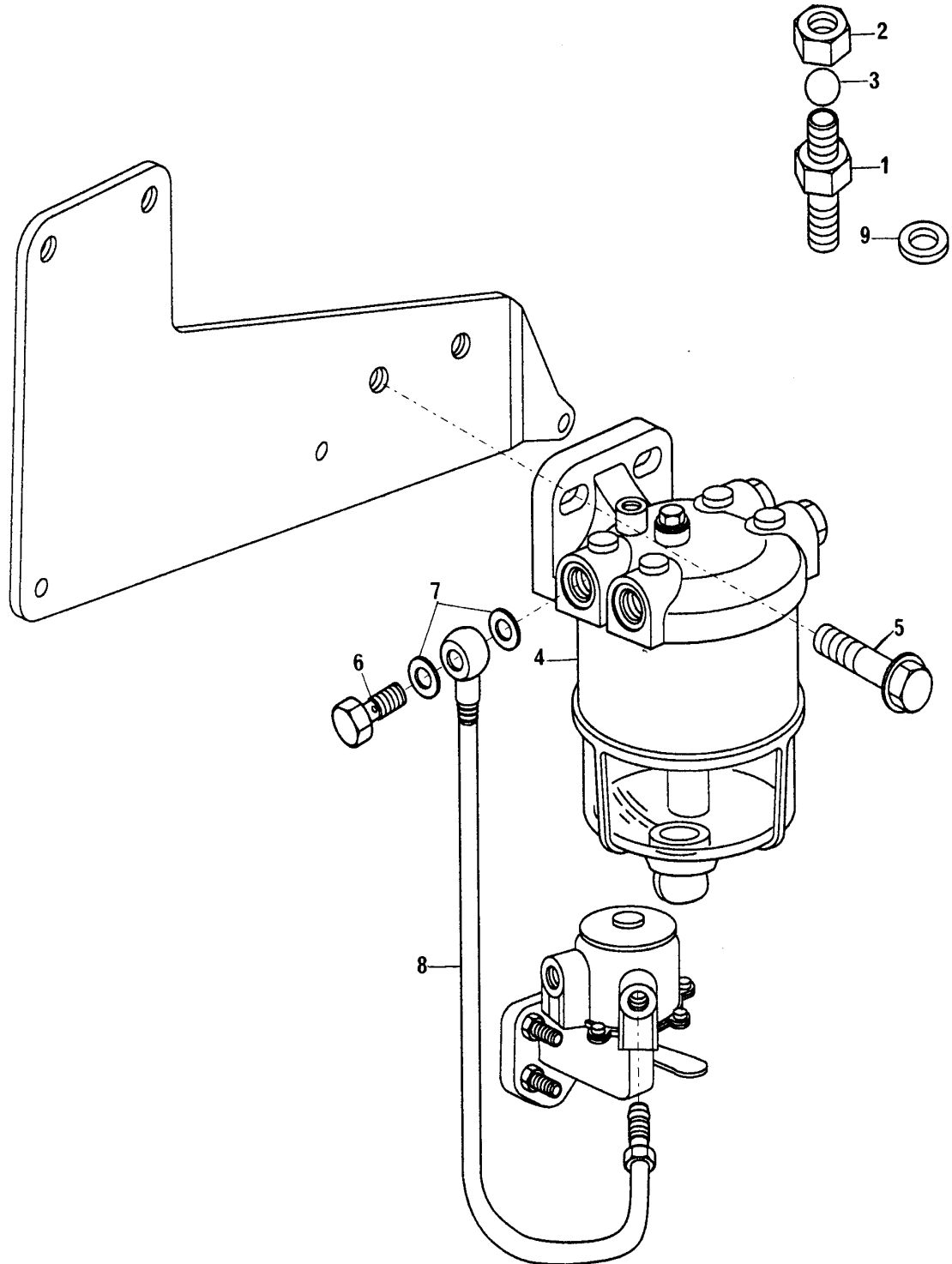
GRUPO
GROUP 74/48
GRUPO
GROUPE

| | | | | | |
|---|----------|---------------|--------|-----------|----------|
| 1 | 0826427 | 3 PRISIONEIRO | STUD | ESPÁRRAGO | GOUJON |
| 2 | 0920005 | 3 ARRUELA | WASHER | ARANDELA | RONDELLE |
| 3 | 70570064 | 3 PORCA | NUT | TUERCA | ÉCROU |
| 4 | 36822111 | 1 JUNTA | JOINT | JUNTA | JOINT |

SISTEMA DE COMBUSTÍVEL
FUEL SYSTEM
SISTEMA DE COMBUSTIBLE
SYSTEME DE COMBUSTIBLE

GRUPO
GROUP
GRUPO
GROUPE

75/19



SISTEMA DE COMBUSTÍVEL
FUEL SYSTEM
SISTEMA DE COMBUSTIBLE
SYSTEME DE COMBUSTIBLE

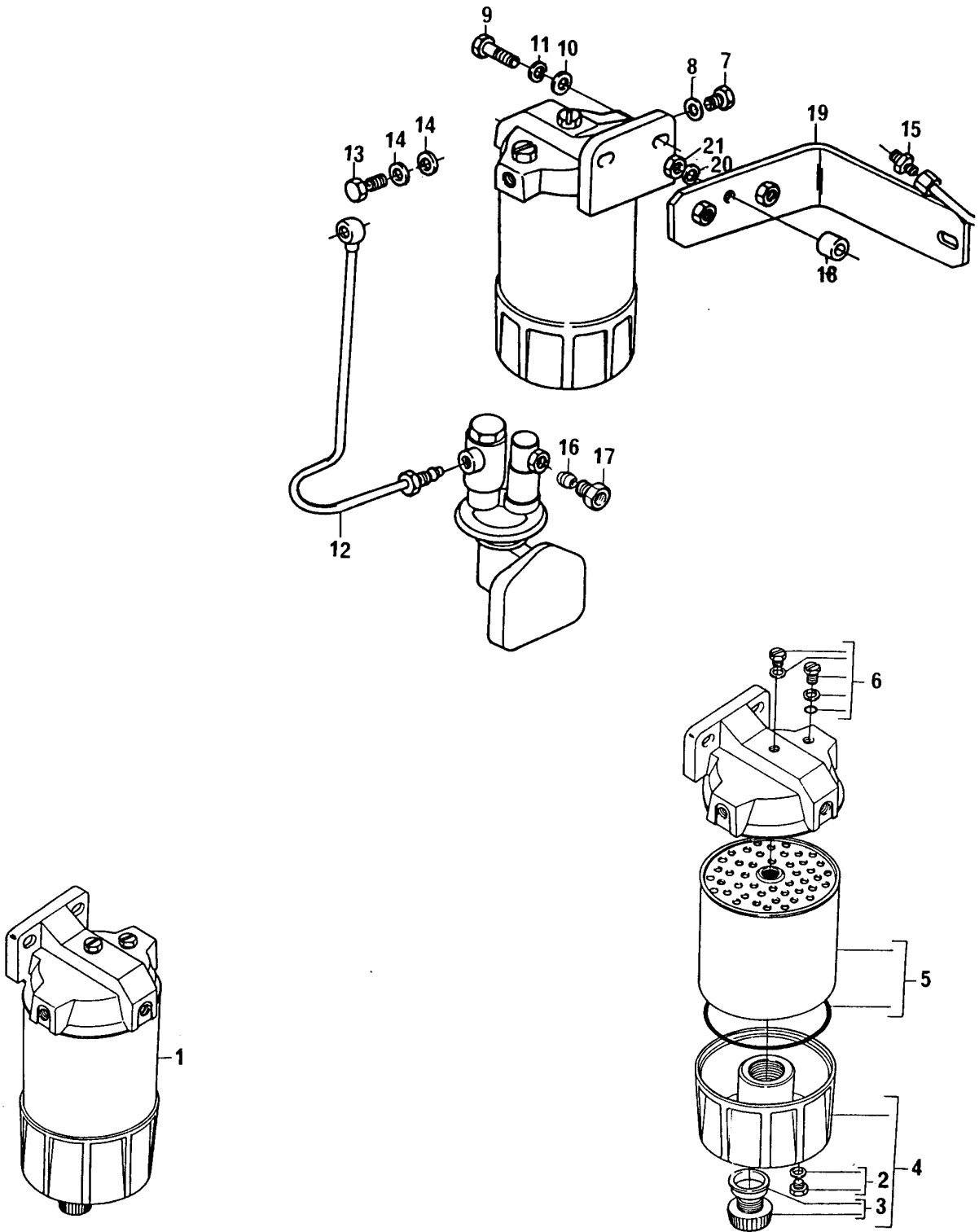
GRUPO
GROUP 75/19
GRUPO
GROUPE

| | | | | | |
|---|----------|------------------|------------|----------------|------------|
| 1 | 0201526 | 1 CONEXÃO | CONNECTION | CONEXIÓN | RACCORD |
| 2 | 0576111 | 1 PORCA | NUT | TUERCA | ÉCROU |
| 3 | 0020005 | 1 ESFERA | BALL | BOLA | BILLE |
| 4 | 72113 | 1 FILTRO | FILTER | FILTRO | FILTRE |
| 5 | 70740178 | 2 PARAFUSO | BOLT | TORNILLO | VIS |
| 6 | 70740343 | 1 PARAFUSO BANJO | BANJO BOLT | TORNILLO BANJO | VIS |
| 7 | 70920115 | 2 ARRUELA | WASHER | ARANDELA | RONDELLE |
| 8 | 70998196 | 1 TUBO | PIPE | CAÑO | TUYAUTERIE |
| 9 | 70920083 | 2 ARRUELA | WASHER | ARANDELA | RONDELLE |

SISTEMA DE COMBUSTÍVEL
FUEL SYSTEM
SISTEMA DE COMBUSTIBLE
SYSTEME DE COMBUSTIBLE

GRUPO
GROUP
GRUPO
GROUPE

75/105



SISTEMA DE COMBUSTÍVEL
FUEL SYSTEM
SISTEMA DE COMBUSTIBLE
SYSTEME DE COMBUSTIBLE

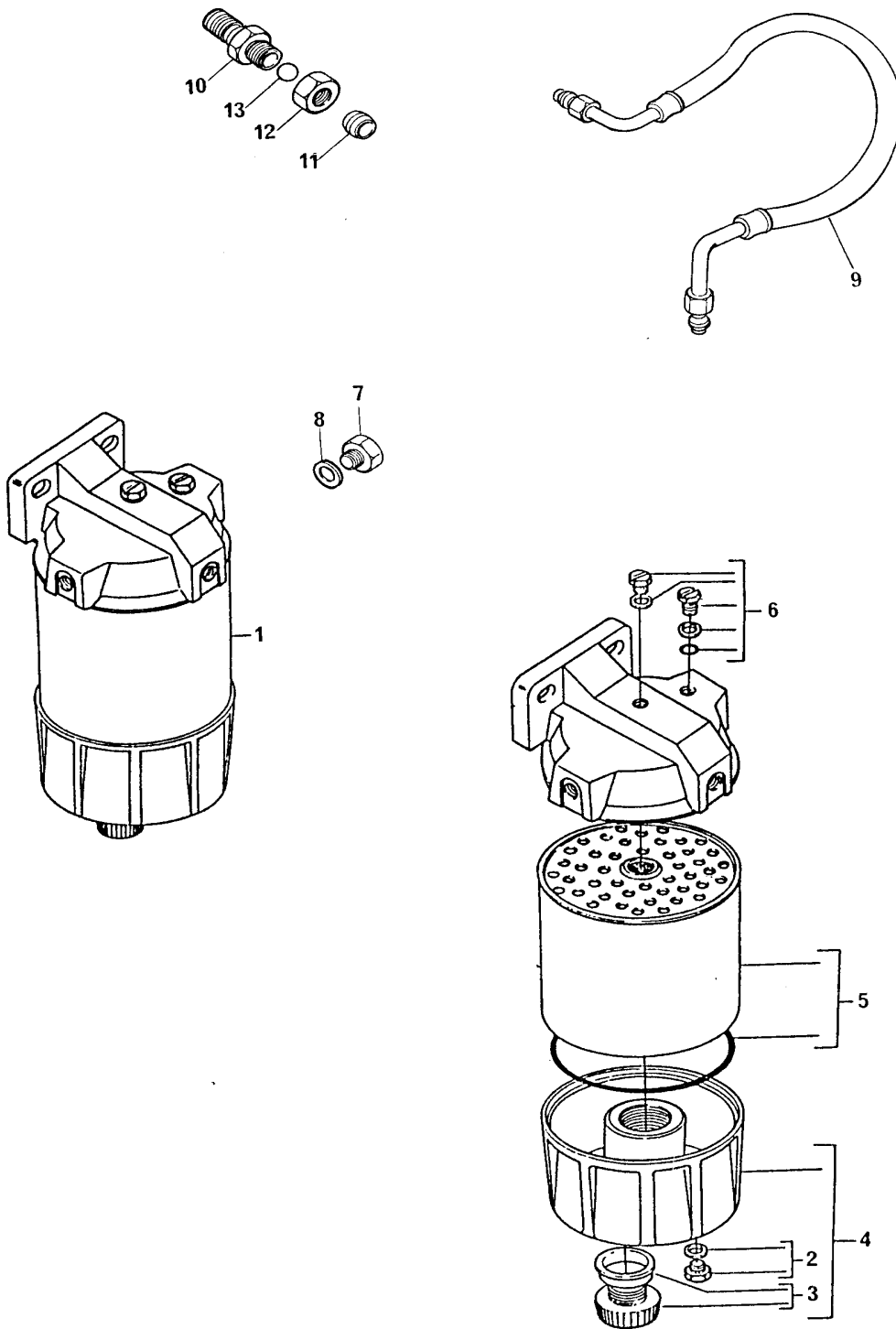
GRUPO
GROUP **75/105**
GRUPO
GROUPE

| | | | | | | | |
|----|----------|---|---|----------------|------------|----------------|------------|
| 1 | 72059 | | 1 | PRÉ-FILTRO | PRE-FILTER | PRÉ-FILTRO | PRÉ-FILTRE |
| 2 | 72045 | 1 | 1 | BUJÃO | PLUG | TAPÓN | BOUCHON |
| 3 | 72046 | 1 | 1 | BUJÃO DRENO | PLUG | TAPÓN | BOUCHON |
| 4 | 72054 | 1 | 1 | COPO | GLASS | VASO | BOL |
| 5 | 72040 | 1 | 1 | ELEMENTO | ELEMENT | ELEMENTO | ÉLÉMENT |
| 6 | 72048 | 1 | 1 | BUJÃO | PLUG | TAPÓN | BOUCHON |
| 7 | 70650115 | | 2 | BUJÃO | PLUG | TAPÓN | BOUCHON |
| 8 | 70920115 | | 2 | ARRUELA | WASHER | ARANDELA | RONDELLE |
| 9 | 0096431 | | 2 | PARAFUSO | BOLT | TORNILLO | VIS |
| 10 | 0920004 | | 2 | ARRUELA | WASHER | ARANDELA | RONDELLE |
| 11 | 0920054 | | 2 | ARRUELA | WASHER | ARANDELA | RONDELLE |
| 12 | 70992461 | | 1 | TUBO | PIPE | CAÑO | TUYAUTERIE |
| 13 | 70740343 | | 1 | PARAFUSO BANJO | BANJO BOLT | TORNILLO BANJO | VIS BANJO |
| 14 | 70920115 | | 2 | ARRUELA | WASHER | ARANDELA | RONDELLE |
| 15 | 0201526 | | 1 | CONEXÃO | CONNECTION | CONEXIÓN | RACCORD |
| 16 | 0566004 | | 1 | OLIVA | OLIVE | OLIVA | OLIVE |
| 17 | 0576113 | | 1 | PORCA | NUT | TUERCA | ÉCROU |
| 18 | 70330018 | | 1 | ESPAÇADOR | SPACER | ESPACIADOR | ENTRETOISE |
| 19 | 70100628 | | 1 | SUPORTE | BRACKET | SOPORTE | SUPPORT |
| 20 | 0920054 | | 1 | ARRUELA | WASHER | ARANDELA | RONDELLE |
| 21 | 0576051 | | 1 | PORCA | NUT | TUERCA | ÉCROU |

SISTEMA DE COMBUSTÍVEL
FUEL SYSTEM
SISTEMA DE COMBUSTIBLE
SYSTEME DE COMBUSTIBLE

GRUPO
GROUP
GRUPO
GROUPE

75/122



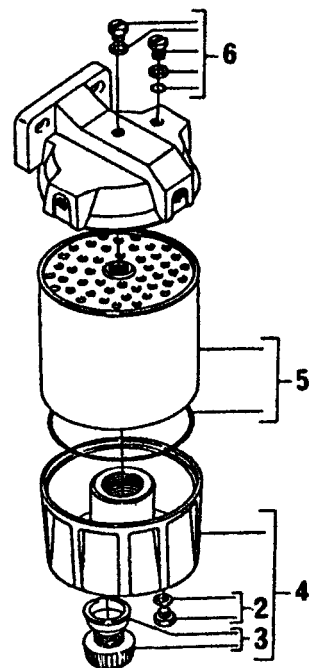
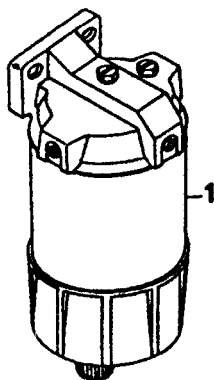
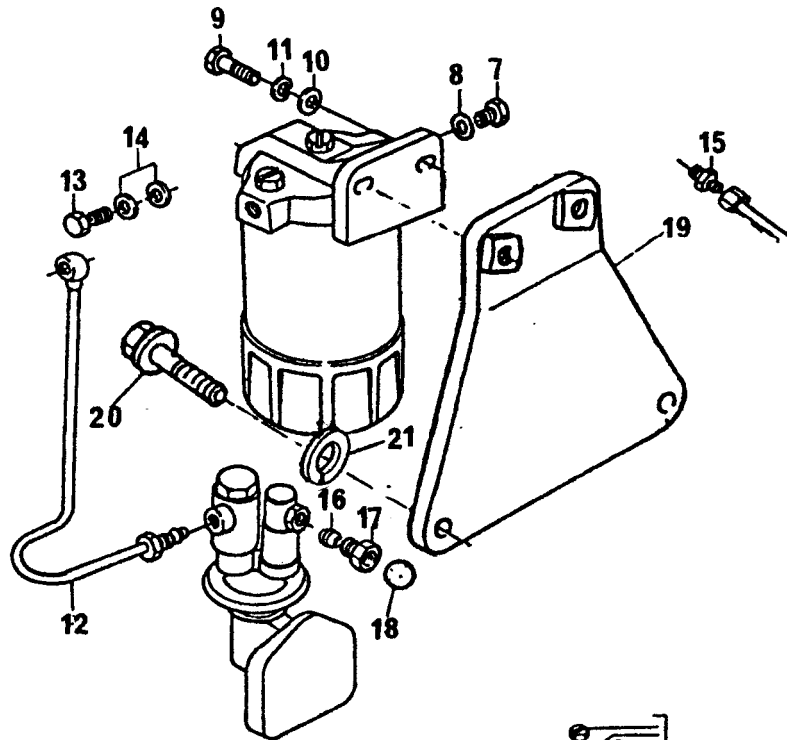
SISTEMA DE COMBUSTÍVEL
FUEL SYSTEM
SISTEMA DE COMBUSTIBLE
SYSTEME DE COMBUSTIBLE

GRUPO
GROUP **75/122**
GRUPO
GROUPE

| | | | | | | | |
|----|----------|---|---|---------------|------------|------------|------------|
| 1 | 72059 | | 1 | PRÉ-FILTRO | PRE-FILTER | PRÉ-FILTRO | PRÉ-FILTRE |
| 2 | 72045 | 1 | 1 | BUJÃO | PLUG | TAPÓN | BOUCHON |
| 3 | 72046 | 1 | 1 | BUJÃO DRENO | PLUG | TAPÓN | BOUCHON |
| 4 | 72054 | 1 | 1 | COPO | GLASS | VASO | BOL |
| 5 | 72040 | 1 | 1 | ELEMENTO | ELEMENT | ELEMENTO | ÉLÉMENT |
| 6 | 72048 | 1 | 1 | BUJÃO | PLUG | TAPÓN | BOUCHON |
| 7 | 70650115 | | 2 | BUJÃO | PLUG | TAPÓN | BOUCHON |
| 8 | 70920115 | | 2 | ARRUELA | WASHER | ARANDELA | RONDELLE |
| 9 | 70992410 | | 1 | TUBO FLEXÍVEL | PIPE | CAÑO | TUYAUTERIE |
| 10 | 0201526 | | 2 | CONEXÃO | CONNECTION | CONEXIÓN | RACCORD |
| 11 | 0566004 | | 1 | OLIVA | OLIVE | OLIVA | OLIVE |
| 12 | 0576113 | | 1 | PORCA | NUT | TUERCA | ÉCROU |
| 13 | 70690005 | | 1 | ESFERA | BALL | BOLA | BILLE |

SISTEMA DE COMBUSTÍVEL
FUEL SYSTEM
SISTEMA DE COMBUSTIBLE
SYSTEME DE COMBUSTIBLE

GRUPO
GROUP 75/135
GRUPO
GROUPE



SISTEMA DE COMBUSTÍVEL
FUEL SYSTEM
SISTEMA DE COMBUSTIBLE
SYSTEME DE COMBUSTIBLE

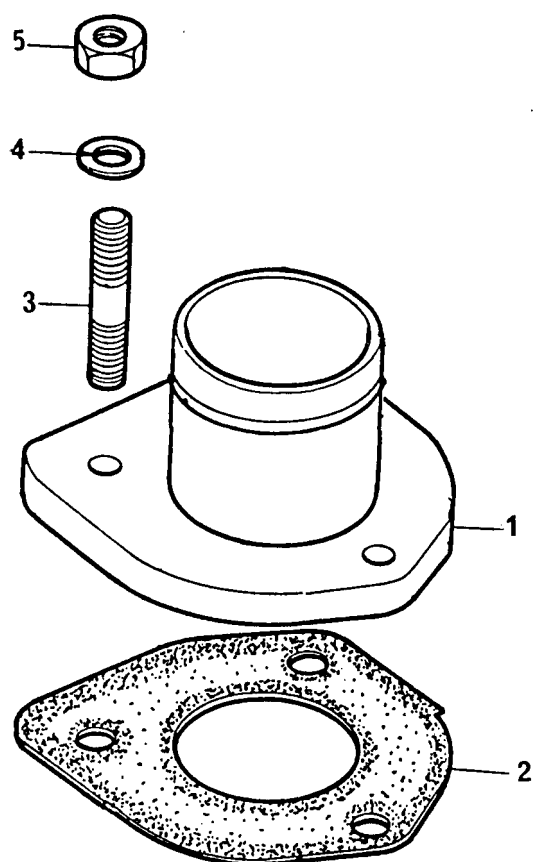
GRUPO
GROUP 75/135
GRUPO
GROUPE

| | | | | | | | |
|----|----------|---|---|----------------|------------|----------------|------------|
| 1 | 72059 | | 1 | PRÉ-FILTRO | PRE-FILTER | PRÉ-FILTRO | PRÉ-FILTRE |
| 2 | 72045 | 1 | 1 | BUJÃO | PLUG | TAPÓN | BOUCHON |
| 3 | 72046 | 1 | 1 | BUJÃO DRENO | PLUG | TAPÓN | BOUCHON |
| 4 | 72054 | 1 | 1 | COPO | GLASS | VASO | BOL |
| 5 | 72040 | 1 | 1 | ELEMENTO | ELEMENT | ELEMENTO | ÉLÉMENT |
| 6 | 72048 | 1 | 1 | BUJÃO | PLUG | TAPÓN | BOUCHON |
| 7 | 70650115 | | 2 | BUJÃO | PLUG | TAPÓN | BOUCHON |
| 8 | 70920115 | | 2 | ARRUELA | WASHER | ARANDELA | RONDELLE |
| 9 | 0096431 | | 2 | PARAFUSO | BOLT | TORNILLO | VIS |
| 10 | 0920004 | | 2 | ARRUELA | WASHER | ARANDELA | RONDELLE |
| 11 | 0920054 | | 2 | ARRUELA | WASHER | ARANDELA | RONDELLE |
| 12 | 70992705 | | 1 | TUBO | PIPE | CAÑO | TUYAUTERIE |
| 13 | 70740343 | | 1 | PARAFUSO BANJO | BANJO BOLT | TORNILLO BANJO | VIS BANJO |
| 14 | 70920115 | | 2 | ARRUELA | WASHER | ARANDELA | RONDELLE |
| 15 | 0201526 | | 1 | CONEXÃO | CONNECTION | CONEXIÓN | RACCORD |
| 16 | 0566004 | | 1 | OLIVA | OLIVE | OLIVA | OLIVE |
| 17 | 0576113 | | 1 | PORCA | NUT | TUERCA | ÉCROU |
| 18 | 70690005 | | 1 | ESFERA | BALL | BOLA | BILLE |
| 19 | 70100626 | | 1 | SUPORTE | BRACKET | SOPORTE | SUPPORT |
| 20 | 0746453 | | 2 | PARAFUSO | BOLT | TORNILLO | VIS |
| 21 | 0920054 | | 2 | ARRUELA | WASHER | ARANDELA | RONDELLE |

SISTEMA DE ADMISSÃO
INDUCTION SYSTEM
SISTEMA DE ADMISIÓN
SYSTEME D'ADMISSION

GRUPO
GROUP
GRUPO
GROUPE


76/05



SISTEMA DE ADMISSÃO
INDUCTION SYSTEM
SISTEMA DE ADMISIÓN
SYSTEME D'ADMISSION

GRUPO
GROUP
GRUPO
GROUPE

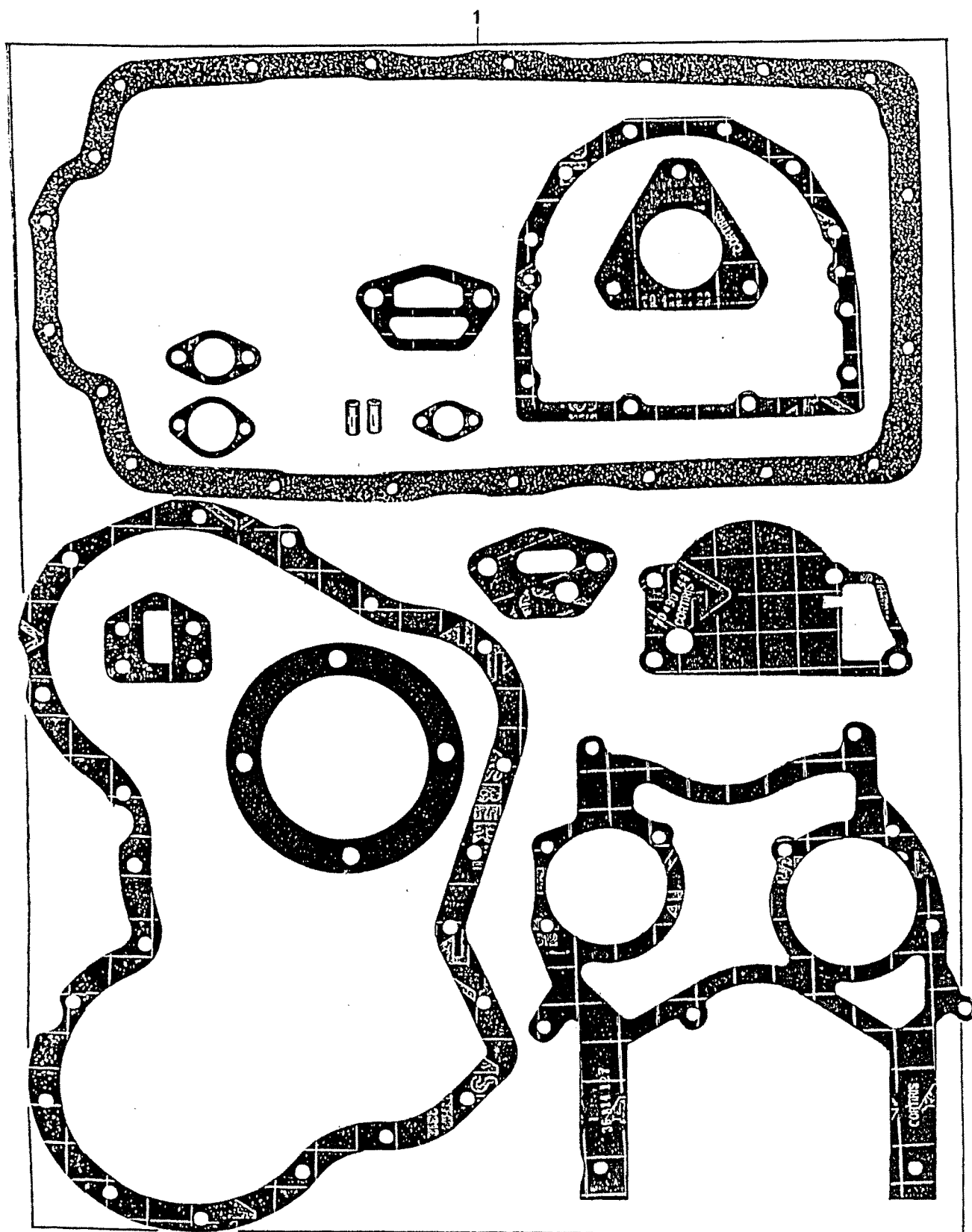
76/05

| | | | | | | | |
|---|----------|--|---|-------------|------------|-----------|----------|
| 1 | 70992283 | | 1 | CONEXÃO | CONNECTION | CONEXIÓN | RACCORD |
| 2 | 70490399 |  70490166 | 1 | JUNTA | JOINT | JUNTA | JOINT |
| 3 | 0826201 | | 3 | PRISIONEIRO | STUD | ESPÁRRAGO | GOUJON |
| 4 | 0920053 | | 3 | ARRUELA | WASHER | ARANDELA | RONDELLE |
| 5 | 0576002 | | 3 | PORCA | NUT | TUERCA | ÉCROU |

JOGO DE JUNTAS DO BLOCO
CYLINDER BLOCK JOINTS SET
JUEGO DE JUNTAS DEL BLOQUE
JEU DE JOINTS DU BLOC

GRUPO
GROUP
GRUPO
GROUPE

00/17



JOGO DE JUNTAS DO BLOCO
CYLINDER BLOCK JOINTS SET
JUEGO DE JUNTAS DEL BLOQUE
JEU DE JOINTS DU BLOC

GRUPO
GROUP 00/17
GRUPO
GROUPE

1 423617

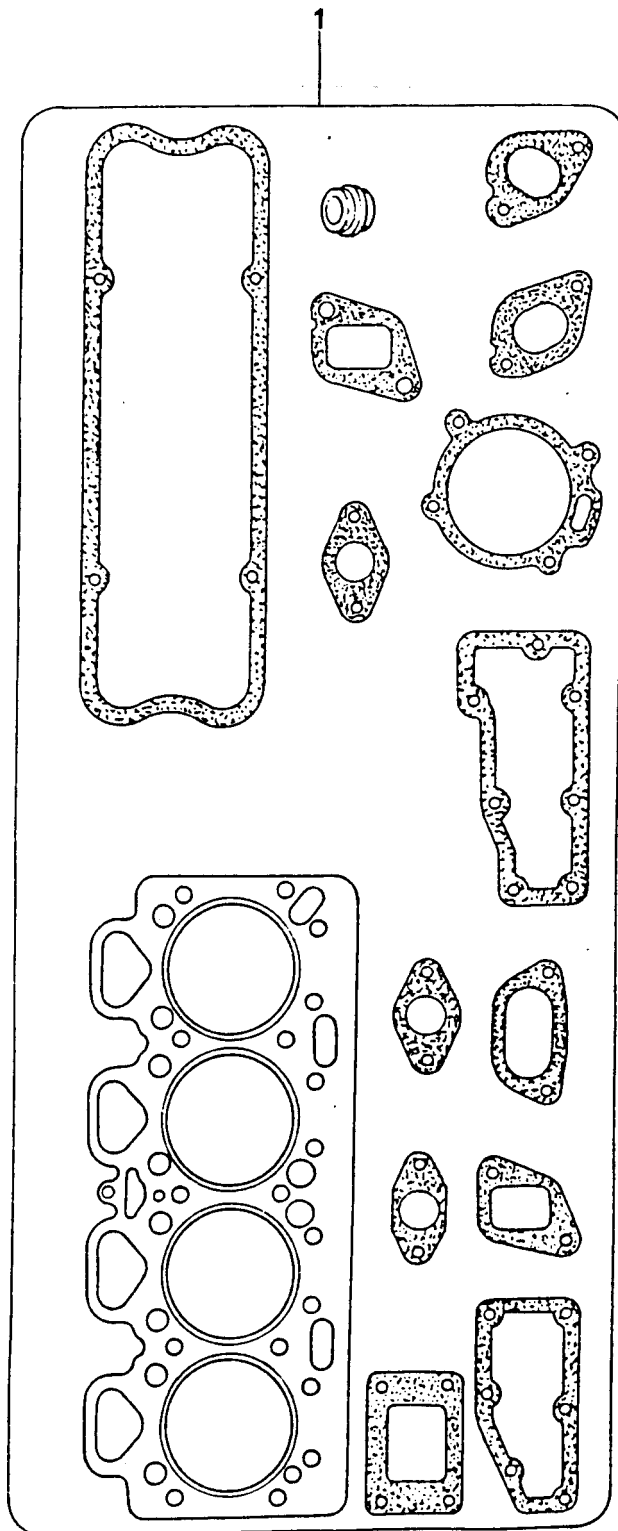
1 JOGO DE JUNTAS JOINTS SET

JUEGO DE JUNTAS JEU DE JOINTS

JOGO DE JUNTAS DO CABEÇOTE
CYLINDER HEAD GASKETS SET
JUEGO DE JUNTAS DE LA CULATA
JEU DE JOINTS DE LA CULASSE

GRUPO
GROUP
GRUPO
GROUPE

00/26



JOGO DE JUNTAS DO CABEÇOTE
CYLINDER HEAD GASKETS SET
JUEGO DE JUNTAS DE LA CULATA
JEU DE JOINTS DE LA CULASSE

GRUPO
GROUP 00/26
GRUPO
GROUPE

1 4236112

1 JOGO DE JUNTAS

GASKETS SET

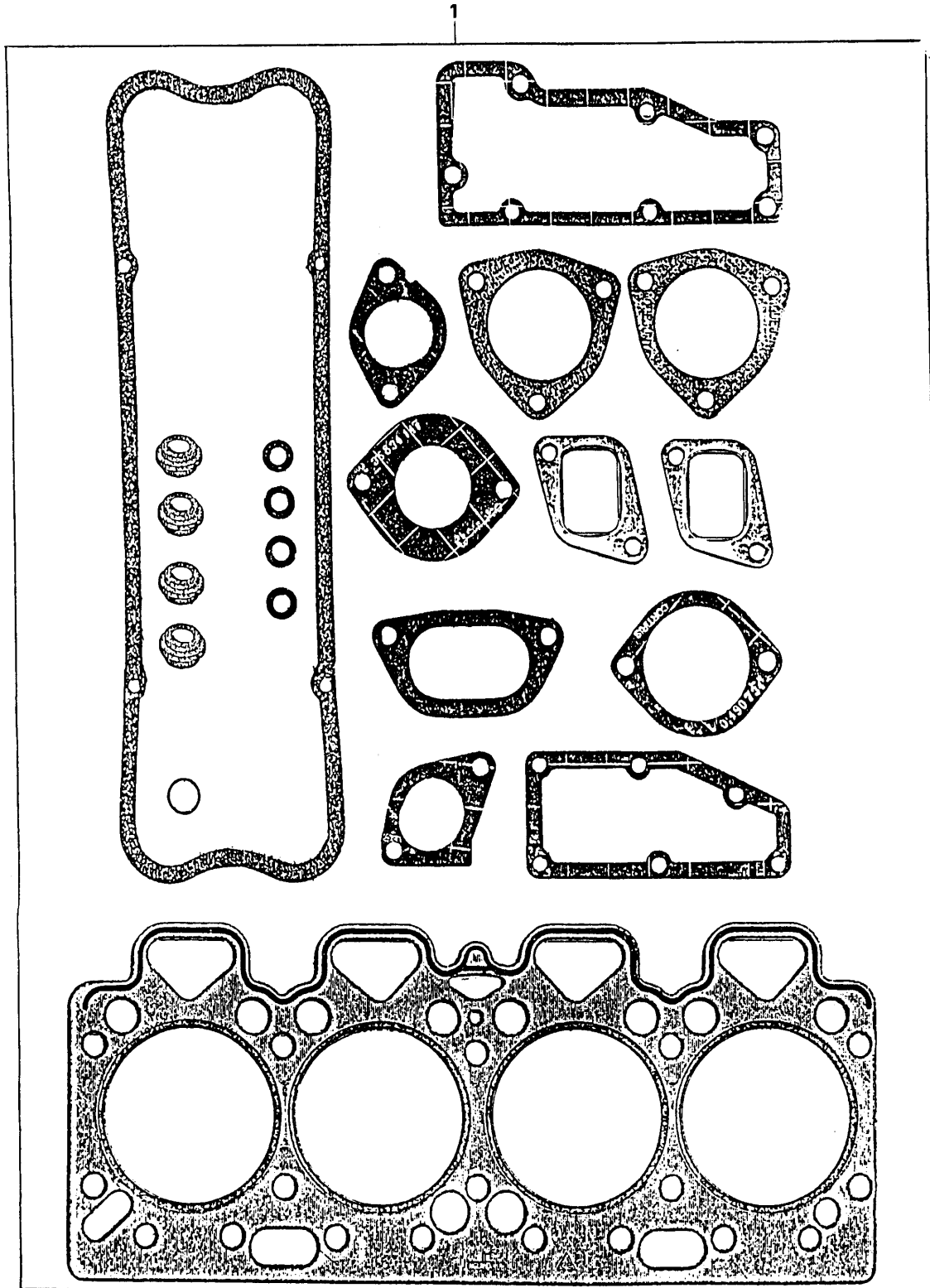
JUEGO DE JUNTAS

JEU DE JOINTS

JOGO DE JUNTAS DO CABEÇOTE
CYLINDER HEAD GASKETS SET
JUEGO DE JUNTAS DE LA CULATA
JEU DE JOINTS DE LA CULASSE

GRUPO
GROUP
GRUPO
GROUPE

00/42



JOGO DE JUNTAS DO CABEÇOTE
CYLINDER HEAD GASKETS SET
JUEGO DE JUNTAS DE LA CULATA
JEU DE JOINTS DE LA CULASSE

GRUPO
GROUP 00/42
GRUPO
GROUPE

1 4236129

1 JOGO DE JUNTAS

GASKETS SET

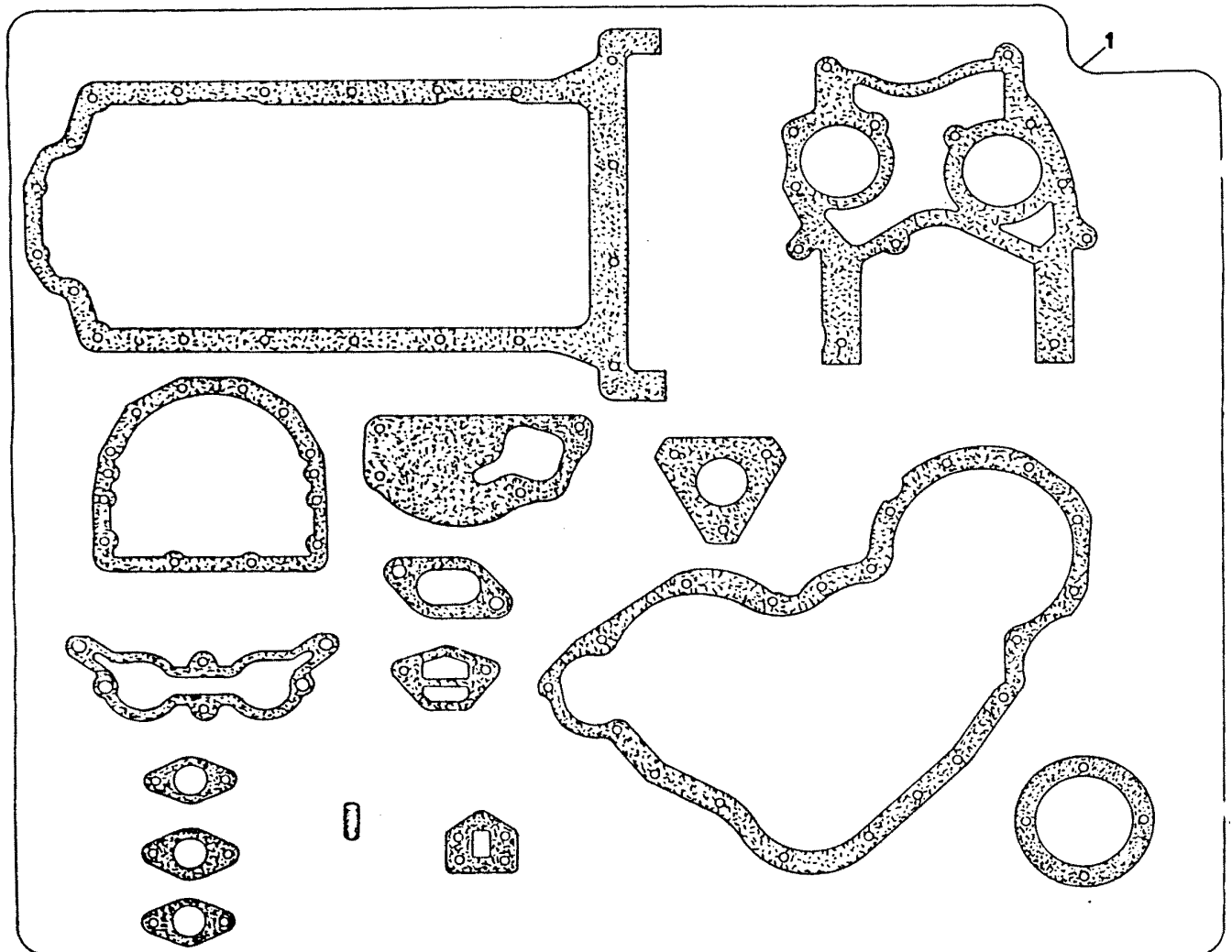
JUEGO DE JUNTAS

JEU DE JOINTS

JOGO DE JUNTAS DO BLOCO
CYLINDER BLOCK JOINTS SET
JUEGO DE JUNTAS DEL BLOQUE
JEU DE JOINTS DU BLOC

GRUPO
GROUP
GRUPO
GROUPE

00/27



JOGO DE JUNTAS DO BLOCO
CYLINDER BLOCK JOINTS SET
JUEGO DE JUNTAS DEL BLOQUE
JEU DE JOINTS DU BLOC

GRUPO
GROUP 00/27
GRUPO
GROUPE

1 4236113

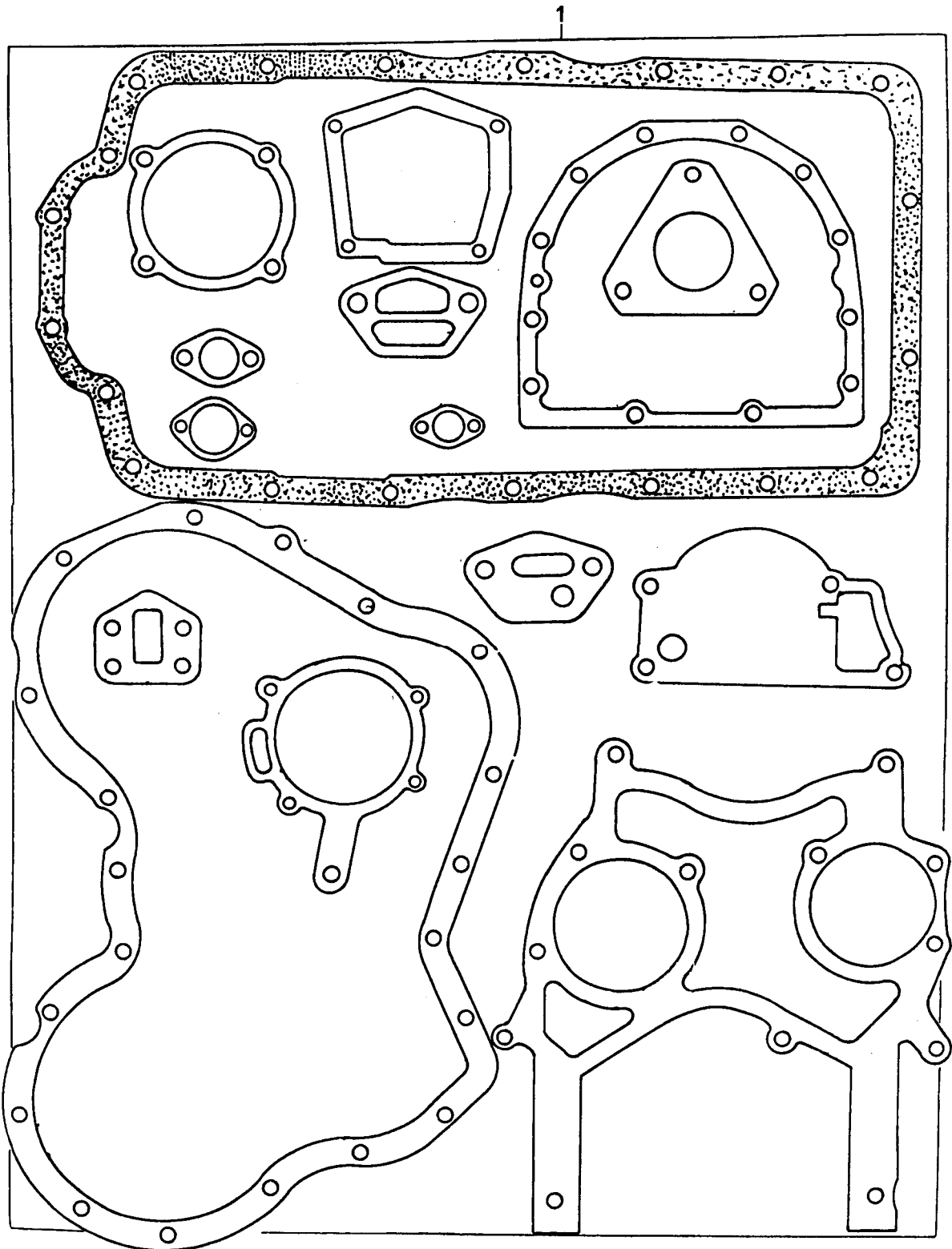
1 JOGO DE JUNTAS JOINTS SET

JUEGO DE JUNTAS JEU DE JOINTS

JOGO DE JUNTAS DO BLOCO
CYLINDER BLOCK JOINTS SET
JUEGO DE JUNTAS DEL BLOQUE
JEU DE JOINTS DU BLOC

GRUPO
GROUP
GRUPO
GROUPE

00/55



JOGO DE JUNTAS DO BLOCO
CYLINDER BLOCK JOINTS SET
JUEGO DE JUNTAS DEL BLOQUE
JEU DE JOINTS DU BLOC

GRUPO
GROUP 00/55
GRUPO
GROUPE

1 4236195

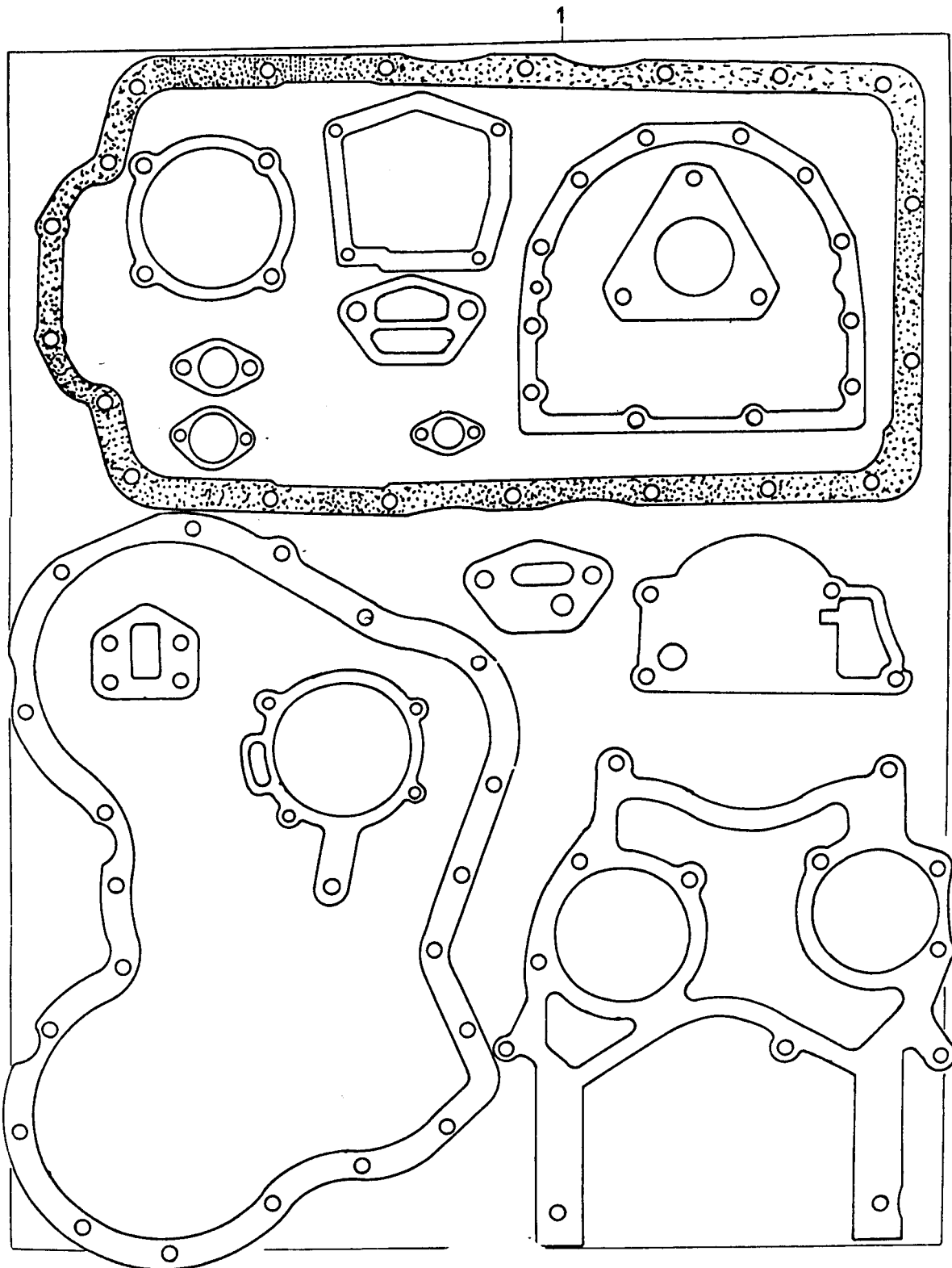
1 JOGO DE JUNTAS JOINTS SET

JUEGO DE JUNTAS JEU DE JOINTS

JOGO DE JUNTAS DO BLOCO
CYLINDER BLOCK JOINTS SET
JUEGO DE JUNTAS DEL BLOQUE
JEU DE JOINTS DU BLOC

GRUPO
GROUP
GRUPO
GROUPE

00/60



JOGO DE JUNTAS DO BLOCO
CYLINDER BLOCK JOINTS SET
JUEGO DE JUNTAS DEL BLOQUE
JEU DE JOINTS DU BLOC

GRUPO
GROUP 00/60
GRUPO
GROUPE

1 4236200

1 JOGO DE JUNTAS JOINTS SET

JUEGO DE JUNTAS JEU DE JOINTS