



INTERNATIONAL
Engines

CATÁLOGO DE PEÇAS
PARTS BOOK
CATÁLOGO DE REPUESTOS
CATALOGUE DE PIÈCES

4.236
T4.236

ESTACIONÁRIO GRUPO GERADOR

ÍNDICE NUMÉRICO
NUMERICAL INDEX
INDICE NUMERICO
INDEX NUMERIQUE

4.236
T4.236

NUMEROS INTERNATIONAL
INTERNATIONAL NUMBERS
NUMEROS INTERNATIONAL
NUMEROS INTERNATIONAL

PEÇA NÚMERO	GRUPOS	PEÇA NÚMERO	GRUPOS	PEÇA NÚMERO	GRUPOS
70010	74/74	423669 C	13/38	0096440	56/50
70073	54/57	423670	13/37		56/89
70081	54/57		14/26	0096443	56/50
70083	54/64	423670 A	14/26		56/89
70084	54/64	423670 B	14/26	0096633	50/162
70085	54/64	423670 C	14/26	0096634	18/28
70087	54/64	424804	11/74		18/42
71054	33/34		14/26		58/29
	33/97	424807	18/28	0170040	56/50
72012	42/173		18/42		56/89
	42/265	424808	13/37	0170151	18/28
72040	75/163		13/38		18/42
72044	42/259	424808 A	13/37	0201526	75/163
	42/266		13/38	0206008	58/29
72045	75/163	424819	15/08	0350009	20/17
72046	75/163	424823	18/28	0350010	39/161
72048	75/163		18/42		39/208
72054	75/163	424828	20/17	0350025	45/102
72059	75/163	424857	56/50	0410276	55/134
72083	42/259		56/89	0490355	31/109
	42/266	424875	56/89	0500006	56/50
72088	42/173	635477	11/80		56/89
	42/265		14/28	0500012	13/37
72089	42/173	635776	42/173		13/38
	42/259		42/265		21/09
	42/265	0050345	22/08		21/27
	42/266	0095315	48/80	0560244	31/109
73079	43/55		48/90		31/162
73083	78/08	0095344	42/173	0566004	75/163
	78/28		42/259	0566005	31/109
74045	46/62		42/265		31/162
74083	39/161		42/266	0571346	75/163
	39/208	0096201	36/67	0576002	42/173
74112	54/57		37/94		42/259
74157	50/162		37/153		42/265
74193	77/85		42/265		42/266
	77/89	0096231	36/67		56/50
75049	72/42		48/80		56/89
75050	72/53		48/90		58/29
75053	33/97	0096236	35/89		76/05
77271	48/80	0096238	31/109	0576007	56/50
77329	39/161		35/90		56/89
77403	39/208	0096241	37/94		71/162
79007	58/29		37/153	0576051	37/94
423651	42/259	0096433	37/153		37/153
	42/266		42/173		38/45
423669	13/37		74/74		38/93
	13/38	0096438	15/08		46/42
423669 A	13/37		37/94		50/162
	13/38		37/153		75/163
423669 B	13/37	0096439	22/08	0576052	18/28
	13/38		56/50		18/42
423669 C	13/37		56/89	0576054	50/162

ÍNDICE NUMÉRICO
 NUMERICAL INDEX
 INDICE NUMERICO
 INDEX NUMERIQUE

4.236
 T4.236

NUMEROS INTERNATIONAL
 INTERNATIONAL NUMBERS
 NUMEROS INTERNATIONAL
 NUMEROS INTERNATIONAL

PEÇA NÚMERO	GRUPOS	PEÇA NÚMERO	GRUPOS	PEÇA NÚMERO	GRUPOS
0576054	71/115	0746454	75/100	0920053	42/259
	71/157	0746610	33/34		42/265
	71/162		33/97		42/266
0576114	31/109	0748412	44/57		54/57
	31/162	0748413	54/57		54/64
0610012	15/08	0748522	50/162		56/50
	15/22	0748663	71/115		56/89
0610844	21/09		71/157		58/29
	21/27	0826017	48/80		75/100
0640126	31/109	0826201	76/05		76/05
	31/162	0826403	58/29	0920054	15/08
0650507	18/28	0826408	41/23		36/67
	18/42		41/41		37/94
0650582	11/74		46/42		37/153
	11/80	0826422	50/162		38/45
0720579	18/28		74/74		42/173
	18/42		74/318		42/259
0726260	40/64	0826451	38/45		42/265
	42/173	0826626	71/157		42/266
	42/259	0827616	39/208		46/42
	42/265	0827809	50/162		50/162
	42/266	0920002	34/46		56/50
	48/90		34/126		56/89
0726262	58/29	0920003	31/109		72/42
0726504	18/28		41/41		72/53
	18/42		58/29		75/100
	73/121		73/121		77/85
0746051	45/102	0920004	38/93		77/89
0746052	31/109		42/173	0920055	33/34
0746211	75/100		42/265		33/97
0746253	42/259		50/162		50/162
	42/266		58/29		58/29
0746254	31/109		75/100		71/115
	39/161	0920005	37/94		71/157
	39/208		58/29		71/162
0746255	15/08	0920006	18/28		74/74
	31/109		18/42	0920056	71/115
0746257	31/109		50/162		71/157
0746424	37/94	0920009	56/50	0920058	56/50
	42/266		56/89		56/89
0746451	42/173	0920052	31/109		71/162
	42/265		34/46	0920108	44/57
0746452	40/64		34/126	0920464	56/50
	42/259	0920053	15/08		56/89
	77/85		31/109	2116024	15/22
	77/89		35/89	2172513	34/126
0746453	36/67		35/90	2172514	11/74
	42/173		36/67		11/80
	42/259		37/153	2172530	20/17
	42/265		39/161	2174018	34/46
	42/266		39/208		77/85
	72/42		41/41		77/89
	72/53		42/173	2182122	21/27

ÍNDICE NUMÉRICO
 NUMERICAL INDEX
 INDICE NUMERICO
 INDEX NUMERIQUE

4.236
 T4.236

NUMEROS INTERNATIONAL
 INTERNATIONAL NUMBERS
 NUMEROS INTERNATIONAL
 NUMEROS INTERNATIONAL

PEÇA NÚMERO	GRUPOS	PEÇA NÚMERO	GRUPOS	PEÇA NÚMERO	GRUPOS
2215274	39/161	31743108	18/28	36516119	42/265
2232151	58/29		18/42		42/266
2511425	18/28	31744123	18/28		48/80
	18/42		18/42		48/90
2645666	48/90	32161209	21/09	36611419	31/109
2646842	48/90	32166329	11/74		31/162
2656085	75/100		11/80	3681A027	34/126
4236112	00/26	3242T001	32/101	3681E034	17/27
4236114	13/38		32/105	36814137	12/98
	14/28	32716117	15/08	36817157	20/17
4236114 A	14/28		15/22	36817181	20/17
4236114 B	14/28	32762116	14/26	36822111	74/74
4236114 C	14/28		14/28		74/318
4236119	11/80	33112111	20/17	36832118	31/162
	14/28	33114412	39/161	36832131	58/29
4236129	00/42		39/208	36832135	58/29
4236151	11/74	33115408	21/09	36834147	37/94
	14/26		21/27		37/153
4236177	11/74	33117121	55/134	36851409	17/27
4236205	17/32	33117415	18/28		17/32
4236206	17/27		18/42		36/29
4236225	11/74	33137408	15/08		36/67
4236241	11/80		15/22	36853514	37/94
4236244	11/80	33142111	11/74		37/153
4236247	11/74		11/80	36854103	48/80
4236248	11/80	33152153	17/27	36861454	58/29
4236249	56/50		17/32	36862134	41/23
4236250	56/89	33153121	21/09	36862517	33/34
4236258	12/98		21/27		33/97
S4004	11/74	33153128	21/09	36862523	58/29
	13/37		21/27	36865511	44/57
S4011	00/51	3342K701	58/29	36866724	56/50
S4025	11/80	33532121	31/109		56/89
	13/38		31/162	3688A004	58/29
S4029	15/22	33811113	18/28	3688C001	38/45
2313C059	58/29		18/42		38/93
	74/314	33851119	58/29	3688C002	38/45
2314C044	58/29	35511111	18/28		38/93
2314H006	54/64		18/42	3688C003	38/45
2318A209	72/42	3558X011	48/80		38/93
	72/53	35587338	48/90	3688C007	41/41
2645K002	48/80	3571C009	58/29	36885008	58/29
2645K602	48/80	35731144	53/17	37462401	48/80
31171681	13/37	36177111	36/29	3763A001	58/29
	13/38	36212152	17/27	3765K031	58/29
31171931	21/09		17/32	37738234	74/74
	21/27		36/29		74/318
31415371	21/09		36/67	37781321	41/23
31415373	21/27	3627P013	11/74	37787491	38/45
31434163	18/28		11/80	41115018	22/08
	18/42	36516119	40/64	41115126	39/161
31733121	21/09		42/173		39/208
	21/27		42/259	41314182	15/08

ÍNDICE NUMÉRICO
NUMERICAL INDEX
INDICE NUMERICO
INDEX NUMERIQUE

4.236
T4.236

NUMEROS INTERNATIONAL
INTERNATIONAL NUMBERS
NUMEROS INTERNATIONAL
NUMEROS INTERNATIONAL

PEÇA NÚMERO	GRUPOS	PEÇA NÚMERO	GRUPOS	PEÇA NÚMERO	GRUPOS
4132F012	15/22	70180158	58/29	70490146	56/50
41371077	15/08		72/53		56/89
41374013	40/64	70180159	54/57	70490156	31/109
4138A017	15/22		54/64	70490166	76/05
70070048	50/162		58/29	70490178	31/109
70100424	50/162	70180160	54/57		31/162
70100449	31/109	70180161	54/64	70490182	42/173
	31/162	70180208	74/314		42/259
70100479	75/100	70200214	37/94		42/265
70100480	42/173		37/153		42/266
	42/265	70200416	33/97	70490259	12/98
70100481	42/173	70200430	33/97	70490266	34/46
	42/265	70200440	58/29	70490279	11/74
70100603	71/115	70200458	42/173		11/80
	71/162		42/259	70490280	39/161
70100604	71/115		42/265		39/208
	71/162		42/266	70490287	42/173
70100605	54/57	70200466	72/42		42/259
70100607	72/42	70200467	54/57		42/265
70100624	42/259	70200468	72/42		42/266
	42/266	70200605	33/97	70520082	50/162
70100627	42/259	70200832	74/74	70530028	11/74
	42/266		74/318		11/80
70100628	75/163	70200899	72/53	70540099	58/29
70100716	18/28	70200900	72/53	70540103	41/41
	18/42	70230010	17/27	70540141	38/93
70100808	71/115		17/32	70540175	74/314
70100813	77/85		18/28	70550009	72/42
	77/89		18/42		72/53
70100821	72/53	70240185	45/102	70550014	72/42
70100822	72/53	70240190	44/57		72/53
70100823	72/53	70310001	74/314	70570032	54/64
70100825	71/157	70320057	31/109		72/42
70100826	71/157	70320077	31/162		72/53
70100827	54/64	70330018	75/163	70570068	78/08
70100838	71/162	70330045	77/85	70570072	31/109
70110034	73/121		77/89		31/162
70150038	34/46	70330075	35/89		73/121
	34/126	70330085	31/109	70570073	39/161
70150047	17/27		31/162		39/208
	17/32	70330093	35/90		42/173
	18/28	70360026	35/89		42/265
	18/42	70360029	35/90		42/266
70170026	14/26	70360053	50/162	70570082	41/23
70170034	73/121	70380055	74/314		41/41
70170035	18/28	70420007	73/121		58/29
70180125	33/97	70420019	17/27		74/74
70180154	33/97		17/32		74/318
	53/17	70440125	37/94	70570085	58/29
70180155	58/29	70440187	45/102		74/314
70180156	72/42	70440189	37/153	70570094	14/26
70180157	72/42	70470053	17/32		14/28
	72/53	70470054	33/97	70576100	40/64

ÍNDICE NUMÉRICO
 NUMERICAL INDEX
 INDICE NUMERICO
 INDEX NUMERIQUE

4.236
 T4.236

NUMEROS INTERNATIONAL
 INTERNATIONAL NUMBERS
 NUMEROS INTERNATIONAL
 NUMEROS INTERNATIONAL

PEÇA NÚMERO	GRUPOS	PEÇA NÚMERO	GRUPOS	PEÇA NÚMERO	GRUPOS
70576100	42/173	70670168	32/101	70740343	42/259
	42/259	70670188	50/162		42/265
	42/265	70730019	48/80		42/266
	42/266		48/90		75/100
	48/90	70730043	12/98		75/163
	58/29	70730050	20/17	70740373	32/101
70576101	48/80	70730051	17/27		32/105
70590007	31/162		17/32	70740765	71/162
70590009	12/98		18/28	70760029	12/98
70590010	33/97		18/42	70780028	73/121
70600001	42/173	70740061	55/134	70800016	42/173
	42/259	70740079	73/121		42/259
	42/265	70740088	78/08		42/265
	42/266	70740103	31/109		42/266
	48/90		31/162	70810038	72/42
70600007	40/64	70740129	12/98	70810039	72/42
70610040	73/121	70740130	12/98	70820052	37/94
70620688	53/17		15/22		37/153
70620760	31/162		17/27	70820078	38/93
70650008	31/109		17/32	70820083	58/29
	31/162		20/17	70820084	42/173
70650068	11/74		31/162		42/259
	11/80		36/29		42/265
70650071	11/74	70740132	31/162		42/266
	11/80	70740135	54/64		56/50
70650075	11/74	70740142	12/98		56/89
	11/80	70740174	12/98	70820089	71/115
	17/27	70740176	36/29		71/162
	17/32	70740177	38/45	70820092	41/41
70650076	11/74		38/93	70830099	31/109
	11/80	70740178	36/29	70830143	31/162
70650077	11/74		42/259	70910032	17/27
	11/80		42/266		18/28
70650079	11/74		45/102	70920008	31/109
	11/80		75/163	70920065	11/74
70650083	11/74	70740181	38/45		11/80
	11/80		42/265		40/01
	52/273		74/318	70920078	54/57
70650109	11/74	70740188	36/29	70920081	48/80
	11/80	70740307	12/98		48/90
70650115	40/64		31/109	70920083	48/80
	42/173		31/162		48/90
	42/259	70740308	12/98	70920109	31/162
	42/265	70740310	15/22	70920115	40/131
	42/266	70740333	31/162		42/173
	75/100	70740340	17/27		42/259
	75/163		17/32		42/265
70650116	42/173	70740341	17/27		42/266
70650119	37/153		17/32		75/100
	52/273	70740342	17/27		75/163
70670096	56/50		17/32	70920120	40/64
	56/89	70740343	40/131		42/173
70670141	32/105		42/173		42/259

ÍNDICE NUMÉRICO
NUMERICAL INDEX
INDICE NUMERICO
INDEX NUMERIQUE

4.236
T4.236

NUMEROS INTERNATIONAL
INTERNATIONAL NUMBERS
NUMEROS INTERNATIONAL
NUMEROS INTERNATIONAL

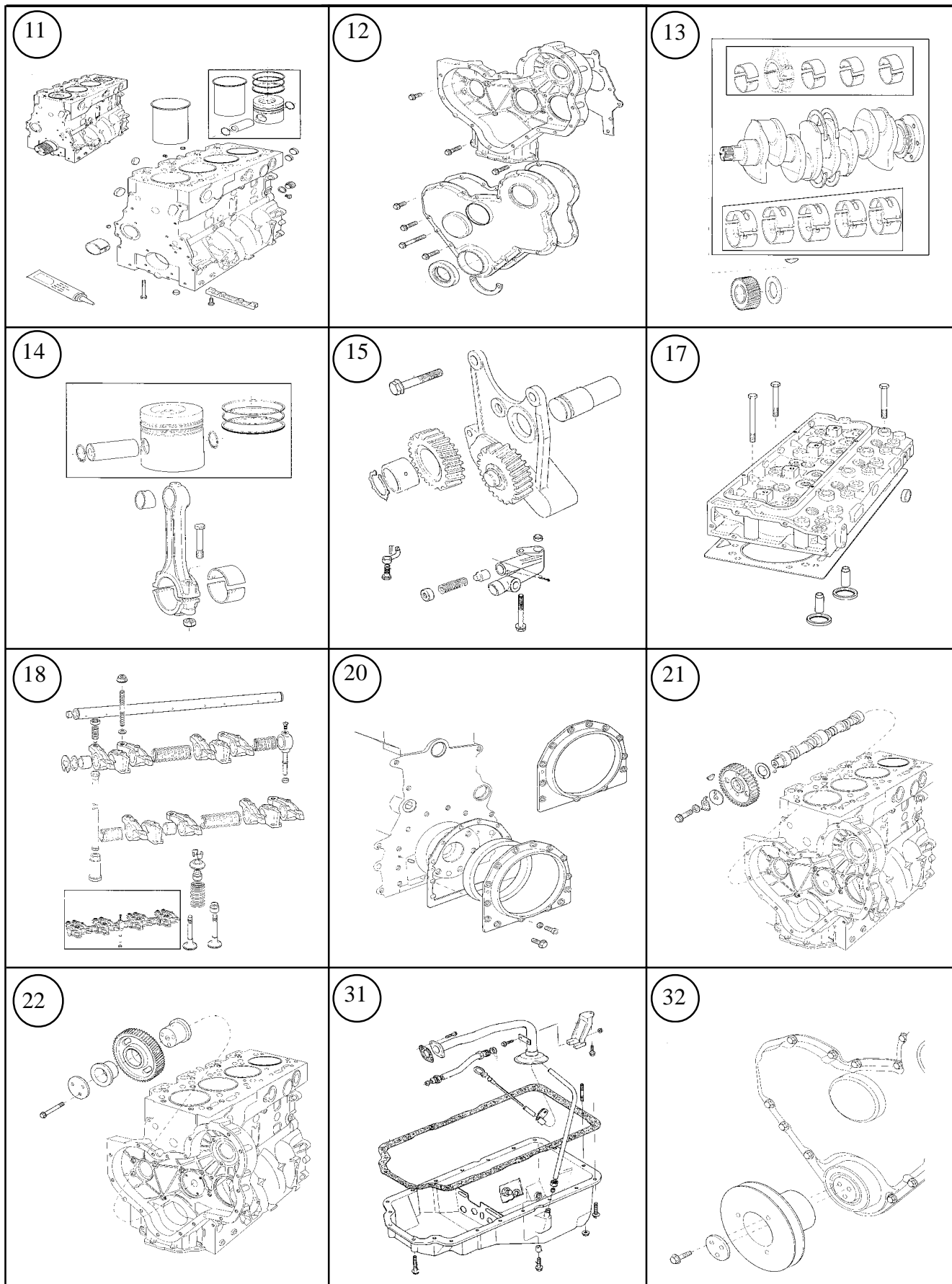
PEÇA NÚMERO	GRUPOS	PEÇA NÚMERO	GRUPOS
70920120	42/265	70992706	58/29
	42/266	70992744	31/162
70920172	33/97	70992751	50/162
70940138	36/67	70993139	31/109
70940151	22/08	70993195	74/74
70940157	36/29	70993310	78/08
70950018	41/41	70993311	33/97
70950027	42/259	70993401	20/17
	42/266	70993490	54/64
70991108	15/08	70997144	33/97
	15/22	70997145	33/34
70991114	42/173	70998009	13/37
	42/259		13/38
	42/265	70998033	11/74
	42/266		11/80
70991158	34/46	70998036	15/08
70991159	34/126		15/22
70991528	55/134	70998037	33/34
70991614	40/64	70998041	18/28
70991698	75/100		18/42
70991765	31/109	70998044	11/74
70991803	42/173		14/26
	42/265	70998050	11/80
70991825	75/100		14/28
	75/163	70998052	40/64
70992016	58/29		40/131
70992224	75/100	70998078	14/28
70992258	48/90	70998085	14/26
70992259	48/90	70998095	18/28
70992260	48/90		18/42
70992261	48/90	70998096	18/28
70992280	42/173		18/42
	42/265	70998116	37/94
70992283	76/05		37/153
70992284	42/173	70998134	12/98
	42/265	70998136	17/27
70992327	31/109		17/32
70992357	42/259		18/28
	42/266		18/42
70992386	42/259	70998162	17/32
	42/266		18/42
70992387	42/259	70998163	17/27
	42/266		17/32
70992388	40/131		18/28
70992433	48/80		18/42
70992434	48/80	70998172	22/08
70992435	48/80	70998194	17/32
70992436	48/80	80650722	40/01
70992461	75/163		
70992492	12/98		
70992498	15/22		
70992503	31/162		
70992547	15/22		

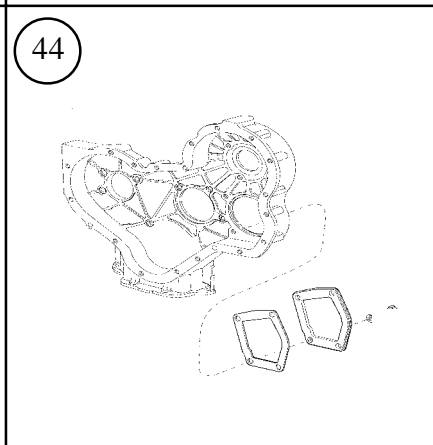
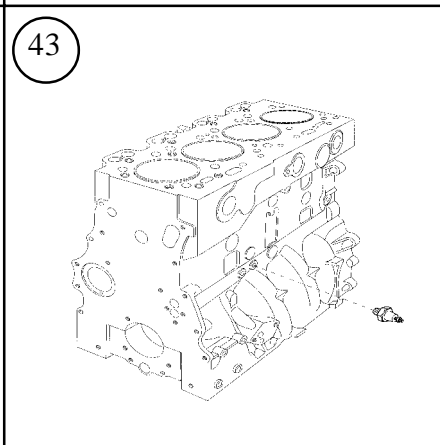
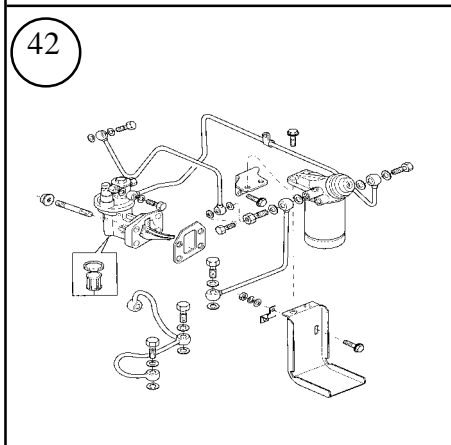
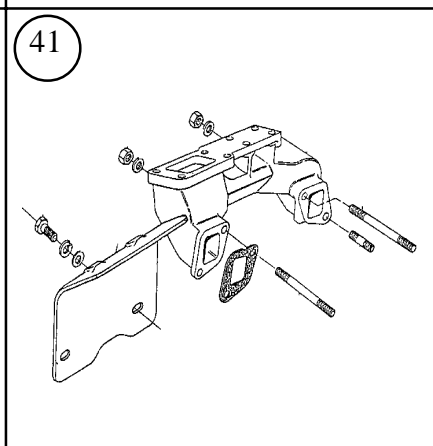
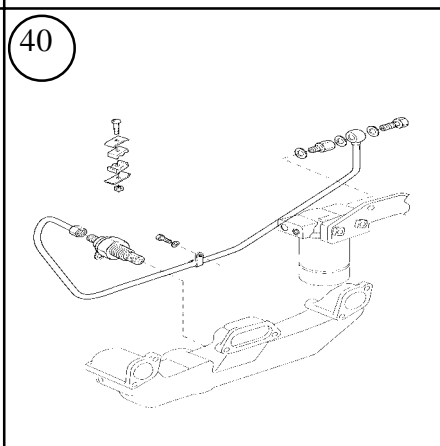
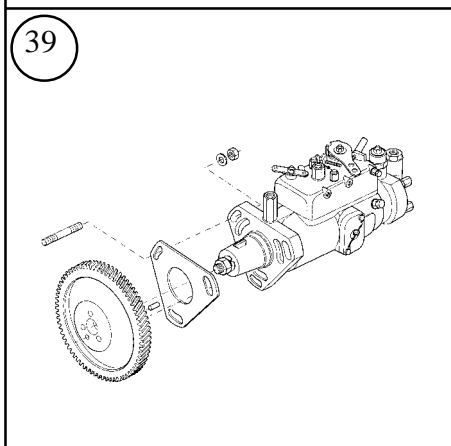
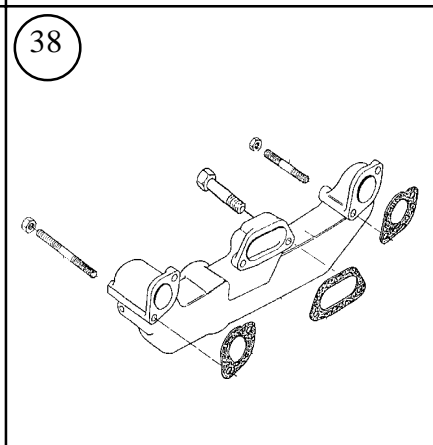
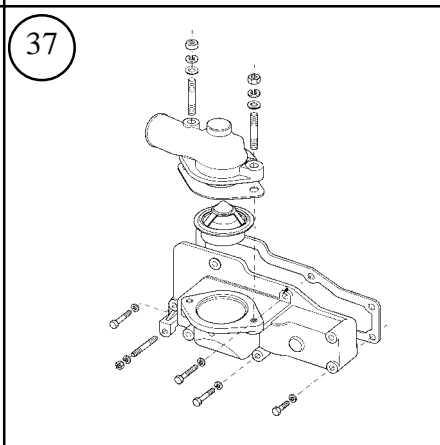
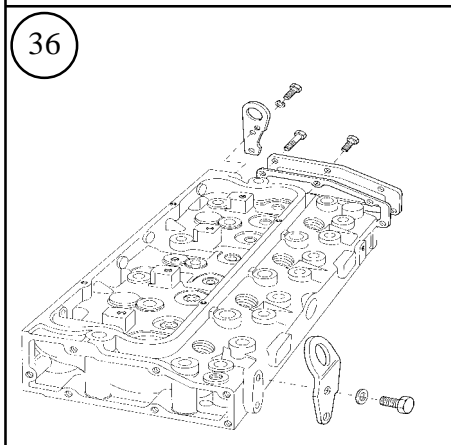
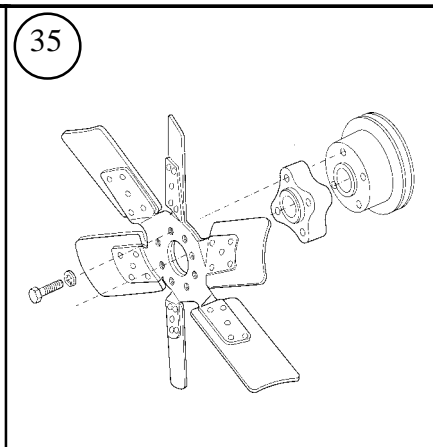
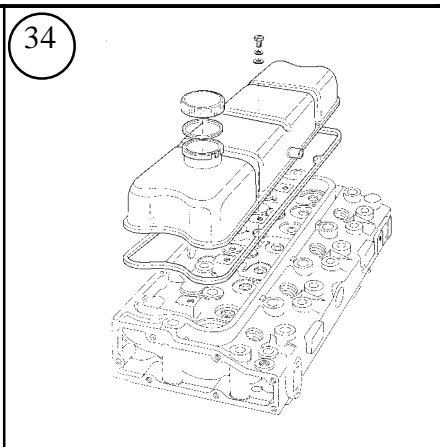
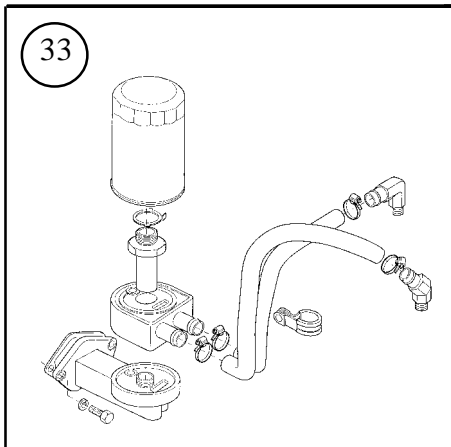
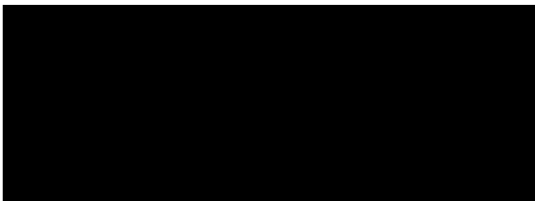
GRUPOS	UNIDADE BÁSICA Nº 309	BASIC UNIT Nº 309	UNIDAD BÁSICA Nº 309	UNITÉ DE BASE Nº 309
11/80	BLOCO DE CILINDROS	CYLINDER BLOCK	BLOQUE DE CILINDROS	BLOC-CYLINDRES
12/98	CAIXA DISTRIBUIÇÃO	TIMING CASE	CAJA DISTRIBUCIÓN	CARTER DISTRIBUTION
13/38	ÁRVORE DE MANIVELAS	CRANKSHAFT	CIGÜENAL	VILEBREQUIN
14/28	PISTÕES E BIELAS	PISTONS / CONNECT RODS	PISTONES Y BIELAS	PISTONS ET BIELLES
15/22	BOMBA ÓLEO LUBRIFICANTE	LUBRICATING OIL PUMP	BOMBA ACEITE LUBRICANTE	POMPE À HUILE LUBRIFIANTE
17/27	CABEÇOTE	CYLINDER HEAD	CULATA	CULASSE
18/28	VÁLVULAS/BALANCEIROS	VALVER / ROCKERSHAFT	VÁLVULAS / BALANCINES	SOUAPES / LEVIERS
20/17	RETENTOR TRASEIRO	REAR OIL SEAL	SELLO TRASERO DE ACEITE	DÉFLECTEUR D'HUILE ARR.
21/27	ÁRVORE COMANDO VÁLVULAS	CAMSHAFT	ARBOL DE LEVAS	ARBRE À CAMES
22/08	ENGRENAGENS DISTRIBUIÇÃO	IDLER GEARS	ENGRENAJES DISTRIBUCIÓN	PIGNONS DISTRIBUTION
COMPLEMENTOS				
31/162	CARTER ÓLEO LUBRIFICANTE	LUBRICATING OIL SUMP	CARTER ACEITE LUBRICANTE	CARTER HUILE LUBRIFIANTE
32/101	POLIA ÁRVORE MANIVELAS	CRANKSHAFT PULLEY	POLEA DEL CIGÜENAL	POULIE DU VILEBREQUIN
33/97	FILTRO LUBRIF. / RESFRIADOR	LUBR. OIL FILTER / COOLER	FILTRO ACEITE / REFRIGERADOR	FILTRE HUILE / REFROID.
34/126	TAMPA DO CABEÇOTE	CYLINDER HEAD COVER	TAPA DE VÁLVULAS	CACHE-CULBUTEURS
35/90	VENTILADOR	FAN	VENTILADOR	VENTILATEUR
36/29	TAMPA TRASEIRA CABEÇOTE	CYLINDER HEAD REAR COVER	TAPA TRASERA DE LA CULATA	CACHE-CULBUTEURS ARRIERE
37/153	TERMOSTATO E CARÇAÇA	THERMOSTAT AND HOUSING	TERMOSTATO Y CÁRTER	THERMOSTAT ET CARTER
38/93	COLETOR DE ADMISSÃO	INDUCTION MANIFOLD	MÚLTIPLE DE ADMISIÓN	COLLECTEUR D'ADMISSION
39/208	BOMBA INJETORA COMBUSTÍVEL	FUEL INJECTION PUMP	BOMBA INYECTORA COMBUSTIBLE	POMPE D'INJEC. / COMBUST.
40/131	SISTEMA AUXILIAR PARTIDA	COLD WEATHER STARTING AID	SIST. AUXILIAR DE ARRANQUE	THERMOSTART
41/41	COLETOR DE ESCAPE	EXHAUST MANIFOLD	MÚLTIPLE DE ESCAPE	COLLECTEUR D'ÉCHAPPEMENT
42/259	BOMBA ALIMENTADORA E FILTRO ÓLEO COMBUSTÍVEL	FUEL LIFT PUMP AND FUEL OIL FILTER	BOMBA DE ALIMENTACIÓN Y FILTROS ACEITE COMBUSTIBLE	POMPE D'ALIMENTATION ET FILTRE À HUILE COMBUSTIBLE
43/55	TOMADA P/ MANÔMETRO ÓLEO	OIL PRESS GAUGE	TOMA P/ MANÓMETRO ACEITE	PRISE P/ MANOMETRE D'HUILE
44/57	TOMADA POTÊNCIA	POWER TAKE-OFF	TOMA DE POTENCIA	PRISE DE PUISSANCE
45/102	CARÇAÇA DO VOLANTE	FLYWHEEL HOUSING	CARTER DEL VOLANTE	CARTER DU VOLANT
46/42	MOTOR DE PARTIDA	STARTER MOTOR	MOTOR DE ARRANQUE	DÉMAREUR
48/80	TUBO INJEÇÃO / INJETORES	FUEL INJECTION SYSTEM	EQUIPO DE INYECCIÓN	SYSTEME D'INJECTION
49/..	CONEXÃO ENTRADA D'ÁGUA	WATER INLET CONNECTION	CONEXIÓN ENTRADA D'ÁGUA	RACCORD D'ENTRÉE D'EAU
50/162	ALTERNADOR E CORREIA	ALTERNATOR AND BELT	ALTERNADOR Y CORREA	ALTERNATEUR ET COURROIE
52/..	ÍTENS DE INSTALAÇÃO	FITTING ITEMS	PIEZAS DE INSTALACIÓN	ARTICLES D'INSTALLATION
53/17	RESPIRO DO MOTOR	ENGINEER BREATHER	RESPIRADERO DEL MOTOR	RENIFLARD DU MOTEUR
54/64	FILTRO DE AR	AIR CLEANER	FILTRO DE AIRE	FILTRE À AIR
55/134	VOLANTE E CREMALHEIRA	FLYWHEEL AND STARTER RING	VOLANTE Y CORONA	VOLANT ET COURONNE
56/50	BOMBA D'ÁGUA	WATER PUMP	BOMBA DE ÁGUA	POMPE À EAU
58/29	INSTALAÇÃO DO TURBO	TURBOCHARGER INSTALLATION	INSTALACIÓN DEL TURBO	INSTALLATION DU TURBO
ACESSÓRIOS				
71/157	SUPORTE DO MOTOR	ENGINE SUPPORTS	SOPORTES DEL MOTOR	SUPPORTS DU MOTEUR
72/53	SISTEMA DE ARREFECIMENTO	COOLING SYSTEM	SISTEMA DE ENFRIAMIENTO	SYSTEME REFRROIDISSEMENT
73/121	CONTROLES	CONTROLS	CONTROLES	CONTRÔLES
74/314	SISTEMA DE ESCAPE	EXHAUST SYSTEM	SISTEMA DE ESCAPE	SYSTEME D'ÉCHAPPEMENT
75/163	SISTEMA DE COMBUSTÍVEL	FUEL SYSTEM	SISTEMA DE COMBUSTIBLE	SYSTEME D'COMBUSTIBLE
77/89	PAINEL DE INSTRUMENTOS	INSTRUMENT PANEL	TABLERO DE INSTRUMENTOS	TABLEAU DE BORD
78/28	SISTEMA ELÉTRICO	ELECTRICAL SYSTEM	SISTEMA ELÉCTRICO	SYSTEME ÉLECTRIQUE
JOGO DE JUNTAS				
00/24	JOGO DE JUNTAS CABEÇOTE	TOP OVERHAUL	JUEGO DE JUNTAS CULATA	JEU DE JOINTS CULASSE
00/51	JOGO DE JUNTAS BLOCO	BOTTOM OVERHAUL	JUEGO DE JUNTAS BLOQUE	JEU DE JOINTS DU BLOC

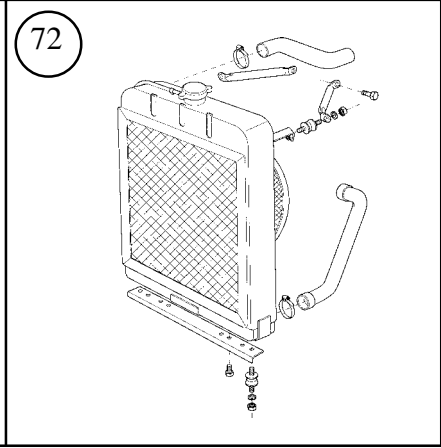
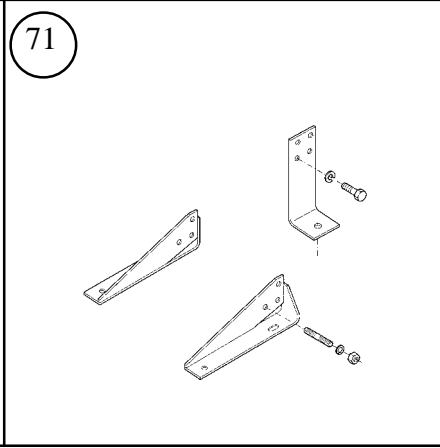
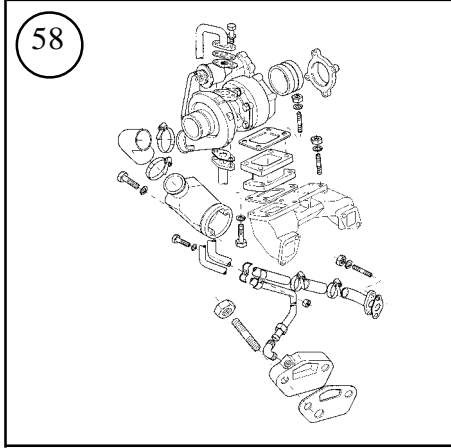
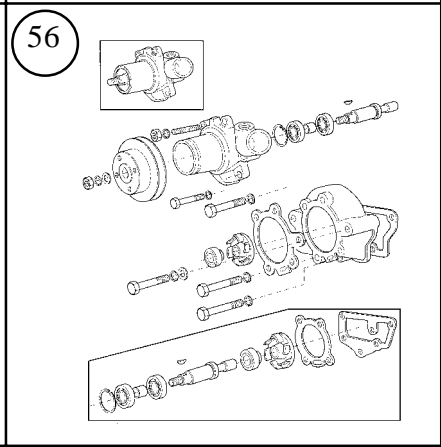
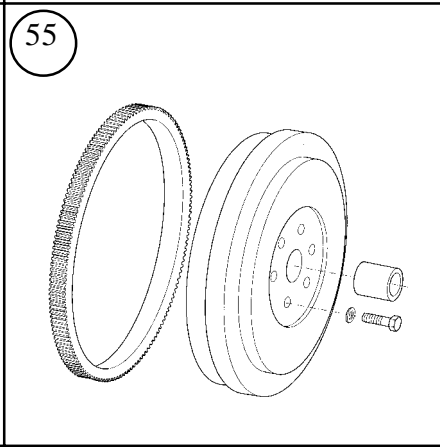
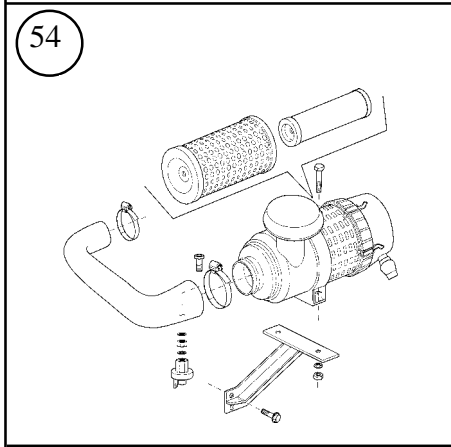
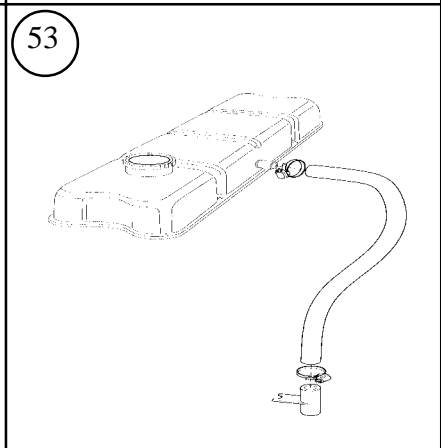
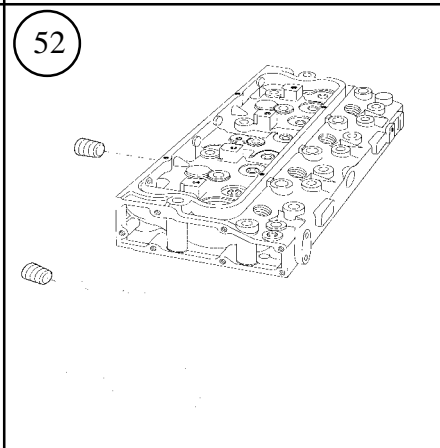
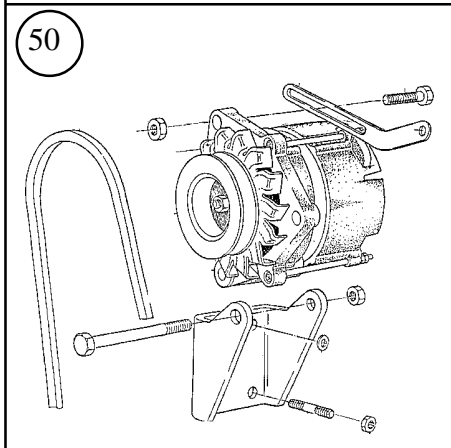
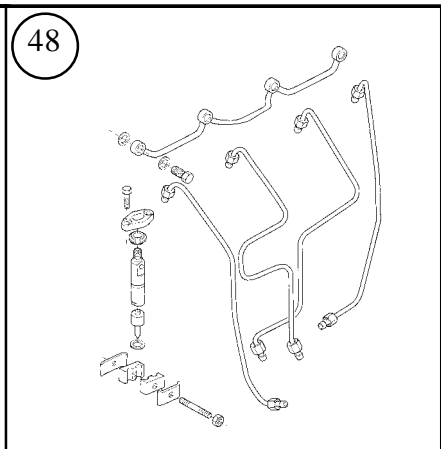
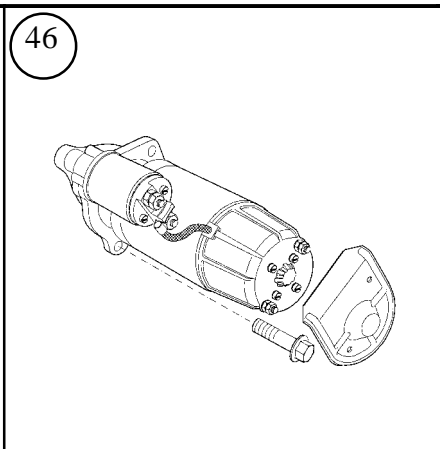
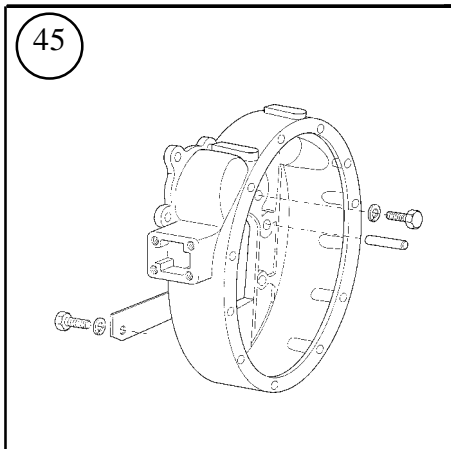
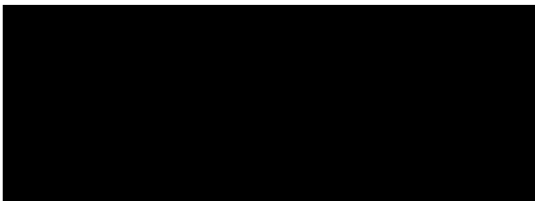
GRUPOS	UNIDADE BÁSICA Nº 255	BASIC UNIT Nº 255	UNIDAD BÁSICA Nº 255	UNITÉ DE BASE Nº 255
11/74	BLOCO DE CILINDROS	CYLINDER BLOCK	BLOQUE DE CILINDROS	BLOC-CYLINDRES
12/98	CAIXA DISTRIBUIÇÃO	TIMING CASE	CAJA DISTRIBUCIÓN	CARTER DISTRIBUTION
13/37	ÁRVORE DE MANIVELAS	CRANKSHAFT	CIGÜENAL	VILEBREQUIN
14/26	PISTÕES E BIELAS	PISTONS / CONNECT RODS	PISTONES Y BIELAS	PISTONS ET BIELLES
15/08	BOMBA ÓLEO LUBRIFICANTE	LUBRICATING OIL PUMP	BOMBA ACEITE LUBRICANTE	POMPE À HUILE LUBRIFIANTE
17/32	CABEÇOTE	CYLINDER HEAD	CULATA	CULASSE
18/42	VÁLVULAS/BALANCEIROS	VALVER / ROCKERSHAFT	VÁLVULAS / BALANCINES	SOUAPES / LEVIERS
20/17	RETENTOR TRASEIRO	REAR OIL SEAL	SELLO TRASERO DE ACEITE	DÉFLECTEUR D'HUILE ARR.
21/09	ÁRVORE COMANDO VÁLVULAS	CAMSHAFT	ARBOL DE LEVAS	ARBRE À CAMES
22/08	ENGRENAGENS DISTRIBUIÇÃO	IDLER GEARS	ENGRENAJES DISTRIBUCIÓN	PIGNONS DISTRIBUTION
COMPLEMENTOS				
31/109	CARTER ÓLEO LUBRIFICANTE	LUBRICATING OIL SUMP	CARTER ACEITE LUBRICANTE	CARTER HUILE LUBRIFIANTE
32/105	POLIA ÁRVORE MANIVELAS	CRANKSHAFT PULLEY	POLEA DEL CIGÜENAL	POULIE DU VILEBREQUIN
33/34	FILTRO LUBRIF. / RESFRIADOR	LUBR. OIL FILTER / COOLER	FILTRO ACEITE / REFRIGERADOR	FILTRE HUILE / REFROID.
34/46	TAMPA DO CABEÇOTE	CYLINDER HEAD COVER	TAPA DE VÁLVULAS	CACHE-CULBUTEURS
35/89	VENTILADOR	FAN	VENTILADOR	VENTILATEUR
36/67	TAMPA TRASEIRA CABEÇOTE	CYLINDER HEAD REAR COVER	TAPA TRASERA DE LA CULATA	CACHE-CULBUTEURS ARRIERE
37/94	TERMOSTATO E CARÇAÇA	THERMOSTAT AND HOUSING	TERMOSTATO Y CÁRTER	THERMOSTAT ET CARTER
38/45	COLETOR DE ADMISSÃO	INDUCTION MANIFOLD	MÚLTIPLE DE ADMISIÓN	COLLECTEUR D'ADMISSION
39/161	BOMBA INJETORA COMBUSTÍVEL	FUEL INJECTION PUMP	BOMBA INYECTORA COMBUSTIBLE	POMPE D'INJEC. / COMBUST.
40/01	SISTEMA AUXILIAR PARTIDA	COLD WEATHER STARTING AID	SIST. AUXILIAR DE ARRANQUE	THERMOSTART
41/23	COLETOR DE ESCAPE	EXHAUST MANIFOLD	MÚLTIPLE DE ESCAPE	COLLECTEUR D'ÉCHAPPEMENT
42/265	BOMBA ALIMENTADORA E FILTRO ÓLEO COMBUSTÍVEL	FUEL LIFT PUMP AND FUEL OIL FILTER	BOMBA DE ALIMENTACIÓN Y FILTROS ACEITE COMBUSTIBLE	POMPE D'ALIMENTATION ET FILTRE À HUILE COMBUSTIBLE
43/55	TOMADA P/ MANÔMETRO ÓLEO	OIL PRESS GAUGE	TOMA P/ MANÓMETRO ACEITE	PRISE P/ MANOMETRE D'HUILE
44/57	TOMADA POTÊNCIA	POWER TAKE-OFF	TOMA DE POTENCIA	PRISE DE PUISSANCE
45/102	CARÇAÇA DO VOLANTE	FLYWHEEL HOUSING	CARTER DEL VOLANTE	CARTER DU VOLANT
46/42	MOTOR DE PARTIDA	STARTER MOTOR	MOTOR DE ARRANQUE	DÉMAREUR
48/90	TUBO INJEÇÃO / INJETORES	FUEL INJECTION SYSTEM	EQUIPO DE INYECCIÓN	SISTEME D'INJECTION
49/..	CONEXÃO ENTRADA D'ÁGUA	WATER INLET CONNECTION	CONEXIÓN ENTRADA D'ÁGUA	RACCORD D'ENTRÉE D'EAU
50/162	ALTERNADOR E CORREIA	ALTERNATOR AND BELT	ALTERNADOR Y CORREA	ALTERNATEUR ET COURROIE
52/273	ÍTENS DE INSTALAÇÃO	FITTING ITEMS	PIEZAS DE INSTALACIÓN	ARTICLES D'INSTALLATION
53/17	RESPIRO DO MOTOR	ENGINE BREATHER	RESPIRADERO DEL MOTOR	RENIFLARD DU MOTEUR
54/57	FILTRO DE AR	AIR CLEANER	FILTRO DE AIRE	FILTRE À AIR
55/134	VOLANTE E CREMALHEIRA	FLYWHEEL AND STARTER RING	VOLANTE Y CORONA	VOLANT ET COURONNE
56/89	BOMBA D'ÁGUA	WATER PUMP	BOMBA DE ÁGUA	POMPE À EAU
ACESSÓRIOS				
71/162	SUPORTE DO MOTOR	ENGINE SUPPORTS	SOPORTES DEL MOTOR	SUPPORTS DU MOTEUR
72/42	SISTEMA DE ARREFECIMENTO	COOLING SYSTEM	SISTEMA DE ENFRIAMIENTO	SISTEME REFROIDISSEMENT
74/318	SISTEMA DE ESCAPE	EXHAUST SYSTEM	SISTEMA DE ESCAPE	SISTEME D'ÉCHAPPEMENT
75/100	SISTEMA DE COMBUSTÍVEL	FUEL SYSTEM	SISTEMA DE COMBUSTIBLE	SISTEME D'COMBUSTIBLE
76/05	SISTEMA DE ADMISSÃO	INDUCTION SYSTEM	SISTEMA DE ADMISION	SISTEME D'ADMISSION
78/28	SISTEMA ELÉTRICO	ELECTRICAL SYSTEM	SISTEMA ELÉCTRICO	SISTEME ÉLECTRIQUE
JOGO DE JUNTAS				
00/42	JOGO DE JUNTAS CABEÇOTE	TOP OVERHAUL	JUEGO DE JUNTAS CULATA	JEU DE JOINTS CULASSE
00/51	JOGO DE JUNTAS BLOCO	BOTTOM OVERHAUL	JUEGO DE JUNTAS BLOQUE	JEU DE JOINTS DU BLOC

GRUPOS	UNIDADE BÁSICA Nº 309	BASIC UNIT Nº 309	UNIDAD BÁSICA Nº 309	UNITÉ DE BASE Nº 309
11/80	BLOCO DE CILINDROS	CYLINDER BLOCK	BLOQUE DE CILINDROS	BLOC-CYLINDRES
12/98	CAIXA DISTRIBUIÇÃO	TIMING CASE	CAJA DISTRIBUCIÓN	CARTER DISTRIBUTION
13/38	ÁRVORE DE MANIVELAS	CRANKSHAFT	CIGÜENAL	VILEBREQUIN
14/28	PISTÕES E BIELAS	PISTONS / CONNECT RODS	PISTONES Y BIELAS	PISTONS ET BIELLES
15/22	BOMBA ÓLEO LUBRIFICANTE	LUBRICATING OIL PUMP	BOMBA ACEITE LUBRICANTE	POMPE À HUILE LUBRIFIANTE
17/27	CABEÇOTE	CYLINDER HEAD	CULATA	CULASSE
18/28	VÁLVULAS/BALANCEIROS	VALVER / ROCKERSHAFT	VÁLVULAS / BALANCINES	SOUAPAPES / LEVIERS
20/17	RETENTOR TRASEIRO	REAR OIL SEAL	SELLO TRASERO DE ACEITE	DÉFLECTEUR D'HUILE ARR.
21/27	ÁRVORE COMANDO VÁLVULAS	CAMSHAFT	ARBOL DE LEVAS	ARBRE À CAMES
22/08	ENGRENAGENS DISTRIBUIÇÃO	IDLER GEARS	ENGRENAJES DISTRIBUCIÓN	PIGNONS DISTRIBUTION
COMPLEMENTOS				
31/162	CARTER ÓLEO LUBRIFICANTE	LUBRICATING OIL SUMP	CARTER ACEITE LUBRICANTE	CARTER HUILE LUBRIFIANTE
32/101	POLIA ÁRVORE MANIVELAS	CRANKSHAFT PULLEY	POLEA DEL CIGÜENAL	POULIE DU VILEBREQUIN
33/97	FILTRO LUBRIF. / RESFRIADOR	LUBR. OIL FILTER / COOLER	FILTRO ACEITE / REFRIGERADOR	FILTRE HUILE / REFRROID.
34/126	TAMPA DO CABEÇOTE	CYLINDER HEAD COVER	TAPA DE VÁLVULAS	CACHE-CULBUTEURS
35/90	VENTILADOR	FAN	VENTILADOR	VENTILATEUR
36/29	TAMPA TRASEIRA CABEÇOTE	CYLINDER HEAD REAR COVER	TAPA TRASERA DE LA CULATA	CACHE-CULBUTEURS ARRIERE
37/94	TERMOSTATO E CARÇAÇA	THERMOSTAT AND HOUSING	TERMOSTATO Y CÁRTER	THERMOSTAT ET CARTER
38/93	COLETOR DE ADMISSÃO	INDUCTION MANIFOLD	MÚLTIPLE DE ADMISIÓN	COLLECTEUR D'ADMISSION
39/208	BOMBA INJETORA COMBUSTÍVEL	FUEL INJECTION PUMP	BOMBA INYECTORA COMBUSTIBLE	POMPE D'INJEC. / COMBUST.
40/01	SISTEMA AUXILIAR PARTIDA	COLD WEATHER STARTING AID	SIST. AUXILIAR DE ARRANQUE	THERMOSTART
41/41	COLETOR DE ESCAPE	EXHAUST MANIFOLD	MÚLTIPLE DE ESCAPE	COLLECTEUR D'ÉCHAPPEMENT
42/266	BOMBA ALIMENTADORA E FILTRO ÓLEO COMBUSTÍVEL	FUEL LIFT PUMP AND FUEL OIL FILTER	BOMBA DE ALIMENTACIÓN Y FILTROS ACEITE COMBUSTIBLE	POMPE D'ALIMENTATION ET FILTRE À HUILE COMBUSTIBLE
43/55	TOMADA P/ MANÔMETRO ÓLEO	OIL PRESS GAUGE	TOMA P/ MANÓMETRO ACEITE	PRISE P/ MANOMETRE D'HUILE
44/57	TOMADA POTÊNCIA	POWER TAKE-OFF	TOMA DE POTENCIA	PRISE DE PUISSANCE
45/102	CARÇAÇA DO VOLANTE	FLYWHEEL HOUSING	CARTER DEL VOLANTE	CARTER DU VOLANT
46/42	MOTOR DE PARTIDA	STARTER MOTOR	MOTOR DE ARRANQUE	DÉMARREUR
48/80	TUBO INJEÇÃO / INJETORES	FUEL INJECTION SYSTEM	EQUIPO DE INYECCIÓN	SYSTEME D'INJECTION
49/..	CONEXÃO ENTRADA D'ÁGUA	WATER INLET CONNECTION	CONEXIÓN ENTRADA D'ÁGUA	RACCORD D'ENTRÉE D'EAU
50/162	ALTERNADOR E CORREIA	ALTERNATOR AND BELT	ALTERNADOR Y CORREA	ALTERNATEUR ET COURROIE
52/..	ÍTENS DE INSTALAÇÃO	FITTING ITEMS	PIEZAS DE INSTALACIÓN	ARTICLES D'INSTALLATION
53/17	RESPIRO DO MOTOR	ENGINEER BREATHER	RESPIRADERO DEL MOTOR	RENIFLARD DU MOTEUR
54/64	FILTRO DE AR	AIR CLEANER	FILTRO DE AIRE	FILTRE À AIR
55/134	VOLANTE E CREMALHEIRA	FLYWHEEL AND STARTER RING	VOLANTE Y CORONA	VOLANT ET COURONNE
56/50	BOMBA D'ÁGUA	WATER PUMP	BOMBA DE ÁGUA	POMPE À EAU
58/29	INSTALAÇÃO DO TURBO	TURBOCHARGER INSTALLATION	INSTALACIÓN DEL TURBO	INSTALLATION DU TURBO
ACESSÓRIOS				
71/163	SUPORTE DO MOTOR	ENGINE SUPPORTS	SOPORTES DEL MOTOR	SUPPORTS DU MOTEUR
72/53	SISTEMA DE ARREFECIMENTO	COOLING SYSTEM	SISTEMA DE ENFRIAMIENTO	SYSTEME REFRROIDISSEMENT
74/314	SISTEMA DE ESCAPE	EXHAUST SYSTEM	SISTEMA DE ESCAPE	SYSTEME D'ÉCHAPPEMENT
75/163	SISTEMA DE COMBUSTÍVEL	FUEL SYSTEM	SISTEMA DE COMBUSTIBLE	SYSTEME D'COMBUSTIBLE
78/28	SISTEMA ELÉTRICO	ELECTRICAL SYSTEM	SISTEMA ELÉCTRICO	SYSTEME ÉLECTRIQUE
JOGO DE JUNTAS				
00/26	JOGO DE JUNTAS CABEÇOTE	TOP OVERHAUL	JUEGO DE JUNTAS CULATA	JEU DE JOINTS CULASSE
00/51	JOGO DE JUNTAS BLOCO	BOTTOM OVERHAUL	JUEGO DE JUNTAS BLOQUE	JEU DE JOINTS DU BLOC

GRUPOS	UNIDADE BÁSICA Nº 255	BASIC UNIT Nº 255	UNIDAD BÁSICA Nº 255	UNITÉ DE BASE Nº 255
11/74	BLOCO DE CILINDROS	CYLINDER BLOCK	BLOQUE DE CILINDROS	BLOC-CYLINDRES
12/98	CAIXA DISTRIBUIÇÃO	TIMING CASE	CAJA DISTRIBUCIÓN	CARTER DISTRIBUTION
13/37	ÁRVORE DE MANIVELAS	CRANKSHAFT	CIGÜENAL	VILEBREQUIN
14/26	PISTÕES E BIELAS	PISTONS / CONNECT RODS	PISTONES Y BIELAS	PISTONS ET BIELLES
15/08	BOMBA ÓLEO LUBRIFICANTE	LUBRICATING OIL PUMP	BOMBA ACEITE LUBRICANTE	POMPE À HUILE LUBRIFIANTE
17/32	CABEÇOTE	CYLINDER HEAD	CULATA	CULASSE
18/42	VÁLVULAS/BALANCEIROS	VALVER / ROCKERSHAFT	VÁLVULAS / BALANCINES	SOUPAPES / LEVIERS
20/17	RETENTOR TRASEIRO	REAR OIL SEAL	SELLO TRASERO DE ACEITE	DÉFLECTEUR D'HUILE ARR.
21/09	ÁRVORE COMANDO VÁLVULAS	CAMSHAFT	ARBOL DE LEVAS	ARBRE À CAMES
22/08	ENGRENAGENS DISTRIBUIÇÃO	IDLER GEARS	ENGRENAJES DISTRIBUCIÓN	PIGNONS DISTRIBUTION
	COMPLEMENTOS	COMPLEMENTS	COMPLEMENTOS	COMPLÉMENTS
31/109	CARTER ÓLEO LUBRIFICANTE	LUBRICATING OIL SUMP	CARTER ACEITE LUBRICANTE	CARTER HUILE LUBRIFIANTE
32/105	POLIA ÁRVORE MANIVELAS	CRANKSHAFT PULLEY	POLEA DEL CIGÜENAL	POULIE DU VILEBREQUIN
33/34	FILTRO LUBRIF. / RESFRIADOR	LUBR. OIL FILTER / COOLER	FILTRO ACEITE / REFRIGERADOR	FILTRE HUILE / REFROID.
34/46	TAMPA DO CABEÇOTE	CYLINDER HEAD COVER	TAPA DE VÁLVULAS	CACHE-CULBUTEURS
35/89	VENTILADOR	FAN	VENTILADOR	VENTILATEUR
36/67	TAMPA TRASEIRA CABEÇOTE	CYLINDER HEAD REAR COVER	TAPA TRASERA DE LA CULATA	CACHE-CULBUTEURS ARRIERE
37/94	TERMOSTATO E CARÇAÇA	THERMOSTAT AND HOUSING	TERMOSTATO Y CÁRTER	THERMOSTAT ET CARTER
38/45	COLETOR DE ADMISSÃO	INDUCTION MANIFOLD	MÚLTIPLE DE ADMISIÓN	COLLECTEUR D'ADMISSION
39/161	BOMBA INJETORA COMBUSTÍVEL	FUEL INJECTION PUMP	BOMBA INYECTORA COMBUSTIBLE	POMPE D'INJEC. / COMBUST.
40/64	SISTEMA AUXILIAR PARTIDA	COLD WEATHER STARTING AID	SIST. AUXILIAR DE ARRANQUE	THERMOSTART
41/23	COLETOR DE ESCAPE	EXHAUST MANIFOLD	MÚLTIPLE DE ESCAPE	COLLECTEUR D'ÉCHAPPEMENT
42/173	BOMBA ALIMENTADORA E FILTRO ÓLEO COMBUSTÍVEL	FUEL LIFT PUMP AND FUEL OIL FILTER	BOMBA DE ALIMENTACIÓN Y FILTROS ACEITE COMBUSTIBLE	POMPE D'ALIMENTATION ET FILTRE À HUILE COMBUSTIBLE
43/55	TOMADA P/ MANÔMETRO ÓLEO	OIL PRESS GAUGE	TOMA P/ MANÓMETRO ACEITE	PRISE P/ MANOMETRE D'HUILE
44/57	TOMADA POTÊNCIA	POWER TAKE-OFF	TOMA DE POTENCIA	PRISE DE PUISSANCE
45/102	CARÇAÇA DO VOLANTE	FLYWHEEL HOUSING	CARTER DEL VOLANTE	CARTER DU VOLANT
46/42	MOTOR DE PARTIDA	STARTER MOTOR	MOTOR DE ARRANQUE	DÉMARREUR
48/90	TUBO INJEÇÃO / INJETORES	FUEL INJECTION SYSTEM	EQUIPO DE INYECCIÓN	SYSTEME D'INJECTION
49/..	CONEXÃO ENTRADA D'ÁGUA	WATER INLET CONNECTION	CONEXIÓN ENTRADA D'ÁGUA	RACCORD D'ENTRÉE D'EAU
50/162	ALTERNADOR E CORREIA	ALTERNATOR AND BELT	ALTERNADOR Y CORREA	ALTERNATEUR ET COURROIE
52/273	ÍTENS DE INSTALAÇÃO	FITTING ITEMS	PIEZAS DE INSTALACIÓN	ARTICLES D'INSTALLATION
53/17	RESPIRO DO MOTOR	ENGINE BREATHER	RESPIRADERO DEL MOTOR	RENIFLARD DU MOTEUR
54/57	FILTRO DE AR	AIR CLEANER	FILTRO DE AIRE	FILTRE À AIR
55/134	VOLANTE E CREMALHEIRA	FLYWHEEL AND STARTER RING	VOLANTE Y CORONA	VOLANT ET COURONNE
56/89	BOMBA D'ÁGUA	WATER PUMP	BOMBA DE ÁGUA	POMPE À EAU
	ACESSÓRIOS	ACCESSORIES	ACESSORIOS	ACCESSOIRES
71/115	SUPORTE DO MOTOR	ENGINE SUPPORTS	SOPORTES DEL MOTOR	SUPPORTS DU MOTEUR
72/42	SISTEMA DE ARREFECIMENTO	COOLING SYSTEM	SISTEMA DE ENFRIAMIENTO	SYSTEME REFROIDISSEMENT
73/121	CONTROLES	CONTROLS	CONTROLES	CONTRÔLES
74/74	SISTEMA DE ESCAPE	EXHAUST SYSTEM	SISTEMA DE ESCAPE	SYSTEME D'ÉCHAPPEMENT
75/100	SISTEMA DE COMBUSTÍVEL	FUEL SYSTEM	SISTEMA DE COMBUSTIBLE	SYSTEME D'COMBUSTIBLE
76/05	SISTEMA DE ADMISSÃO	INDUCTION SYSTEM	SISTEMA DE ADMISION	SYSTEME D'ADMISSION
77/85	PAINEL DE INSTRUMENTOS	INSTRUMENT PANEL	TABLERO DE INSTRUMENTOS	TABLEAU DE BORD
78/08	SISTEMA ELÉTRICO	ELECTRICAL SYSTEM	SISTEMA ELÉCTRICO	SYSTEME ÉLECTRIQUE
	JOGO DE JUNTAS	JOINT SETS	JUEGOS DE JUNTAS	JEUX DE JOINTS
00/42	JOGO DE JUNTAS CABEÇOTE	TOP OVERHAUL	JUEGO DE JUNTAS CULATA	JEU DE JOINTS CULASSE
00/51	JOGO DE JUNTAS BLOCO	BOTTOM OVERHAUL	JUEGO DE JUNTAS BLOQUE	JEU DE JOINTS DU BLOC

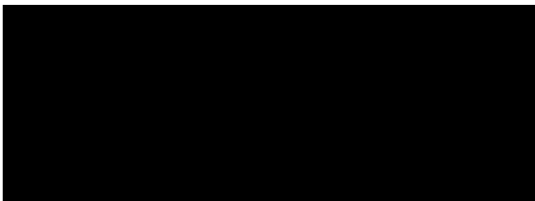


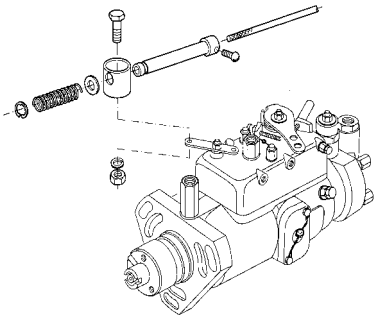
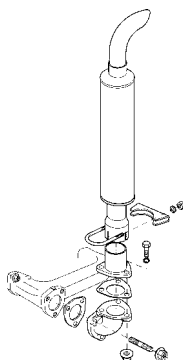
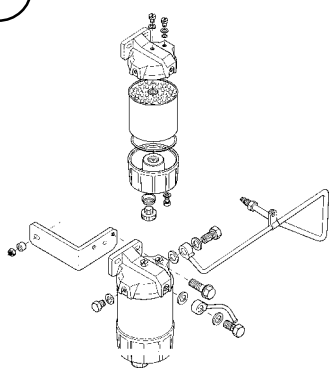
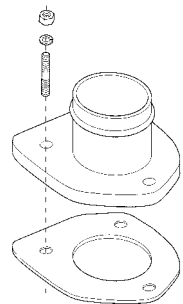
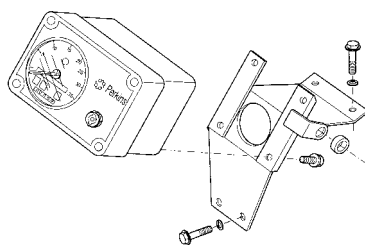
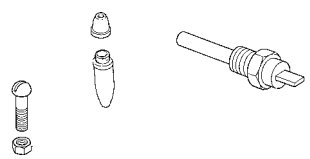
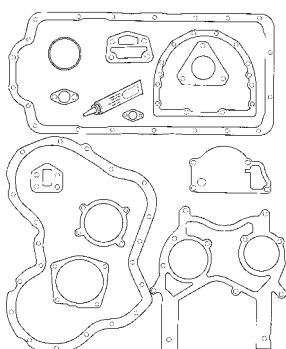
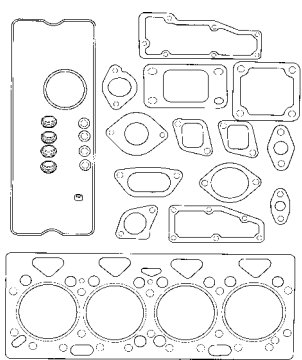




ÍNDICE DE GRUPOS
GROUP INDEX
ÍNDICE DE GRUPOS
INDEX DE GROUPES

4.236
T4.236

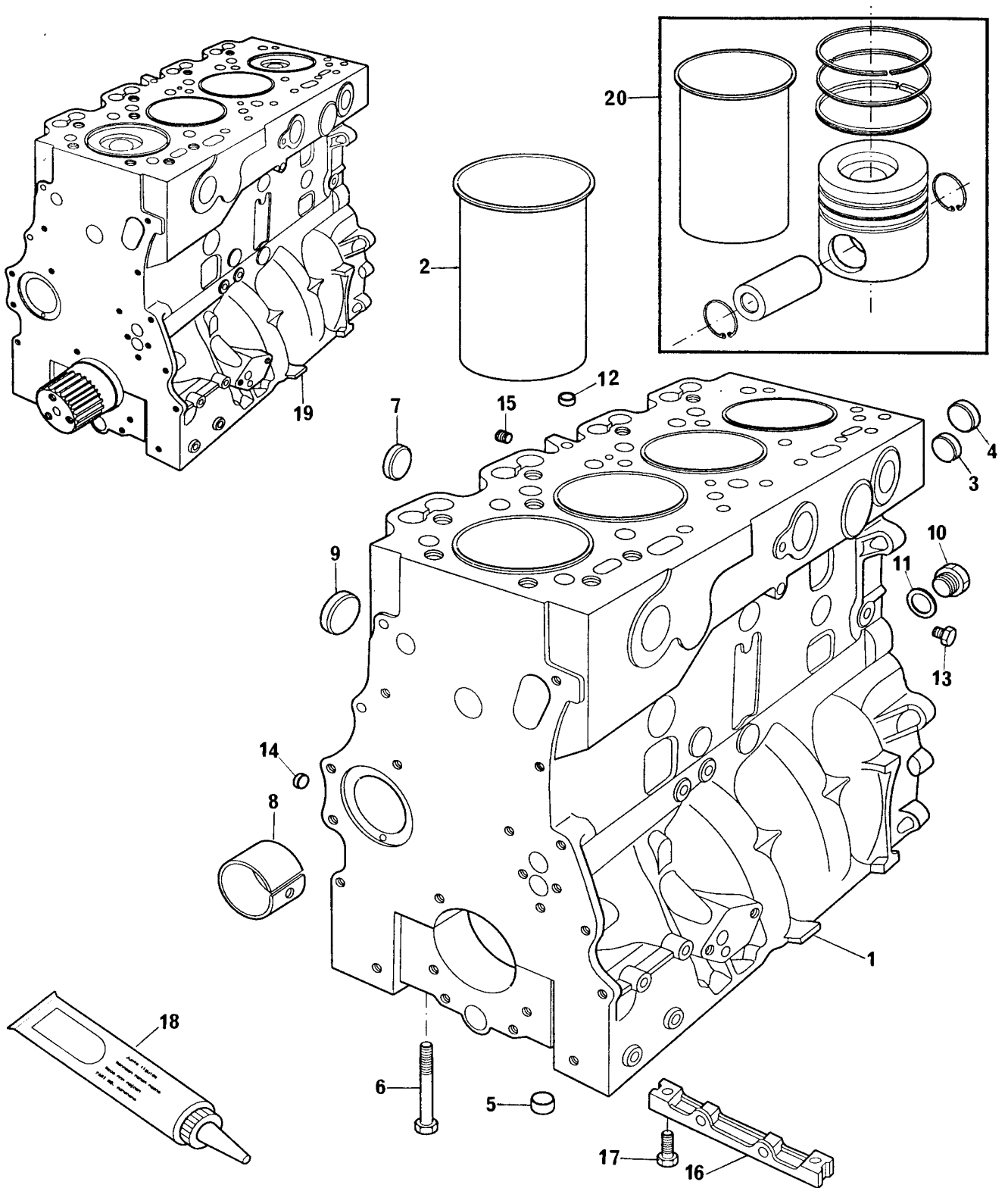


<p>73</p> 	<p>74</p> 	<p>75</p> 
<p>76</p> 	<p>77</p> 	<p>78</p> 
<p>00</p> 	<p>00</p> 	

BLOCO DE CILINDROS
CYLINDER BLOCK
BLOQUE DE CILINDROS
BLOC-CYLINDRES

GRUPO
GROUP
GRUPO
GROUPE

11/74



BLOCO DE CILINDROS
CYLINDER BLOCK
BLOQUE DE CILINDROS
BLOC-CYLINDRES

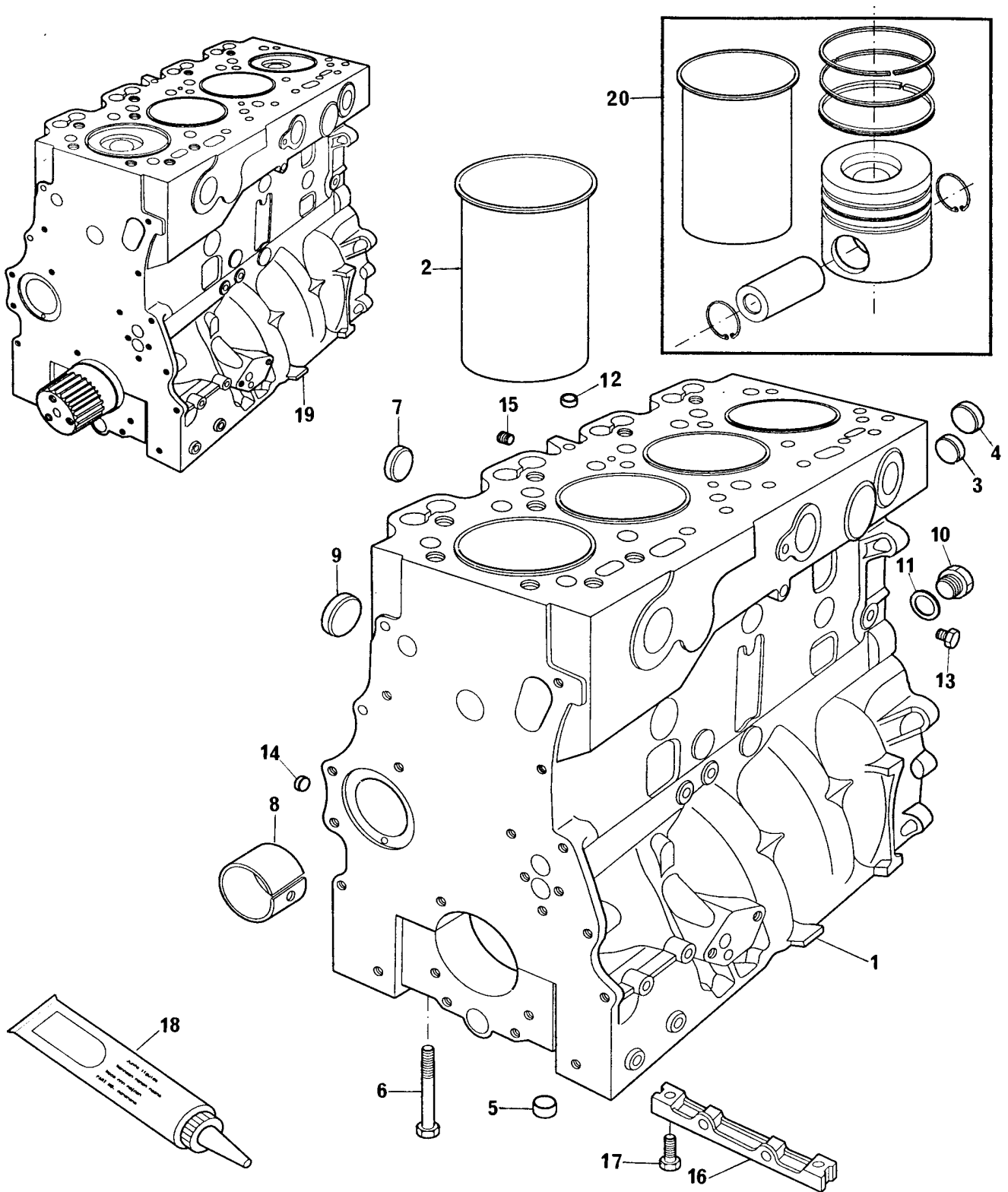
GRUPO
GROUP 11/74
GRUPO
GROUPE

1	4236177		1 BLOCO	BLOCK	BLOQUE	BLOC
2	70530028	1	4 CAMISA	LINER	CAMISA	CHEMISE
3	70650075	1	8 BUJÃO	PLUG	TAPÓN	BOUCHON
4	70650068		1 BUJÃO	PLUG	TAPÓN	BOUCHON
5	33142111	1	10 ANEL LOCALIZADOR	THIMBLE	GUIA	BAGUE
6	32166329	1	10 PARAFUSO	BOLT	TORNILLO	VIS
7	70650076	1	4 BUJÃO	PLUG	TAPÓN	BOUCHON
8	70998033	1	1 BUCHA	BUSH	BUJE	BAGUE
9	70650077	1	4 BUJÃO	PLUG	TAPÓN	BOUCHON
10	0650582	1	1 BUJÃO	PLUG	TAPÓN	BOUCHON
11	70920065	1	1 ARRUELA	WASHER	ARANDELA	RONDELLE
12	70650079	1	1 BUJÃO	PLUG	TAPÓN	BOUCHON
13	70650109	1	2 BUJÃO	PLUG	TAPÓN	BOUCHON
14	70650071	1	1 BUJÃO	PLUG	TAPÓN	BOUCHON
15	70650083	1	1 BUJÃO	PLUG	TAPÓN	BOUCHON
16	3627P013		1 PLACA	PLATE	PLACA	PLAQUE
17	2172514		2 PARAFUSO	BOLT	TORNILLO	VIS
18	70490279		1 JUNTA PLÁSTICA	JOINT	JUNTA	JOINT
19	4236225		1 MOTOR PARCIAL	SHORT ENGINE	MOTOR PARCIAL	MOTEUR PARTIEL
	4236177	19	1 BLOCO	BLOCK	BLOQUE	BLOC
	S4004	19	1 ÁRVORE MANIVELAS	CRANKSHAFT ASSY	CIGUEÑAL	VILEBREQUIN
	70998044	19	4 PISTÃO	PISTON	PISTÓN	PISTON
	4236151	19	4 JOGO DE ANÉIS	RING KIT	JUEGO DE AROS	JEU DE SEGMENTS
	424804	19	4 BIELA	CONNECTING ROD	BIELA	BIELLE
20	4236247		1 JOGO	KIT	JUEGO	JEU

BLOCO DE CILINDROS
CYLINDER BLOCK
BLOQUE DE CILINDROS
BLOC-CYLINDRES

GRUPO
GROUP
GRUPO
GROUPE

11/80



BLOCO DE CILINDROS
CYLINDER BLOCK
BLOQUE DE CILINDROS
BLOC-CYLINDRES

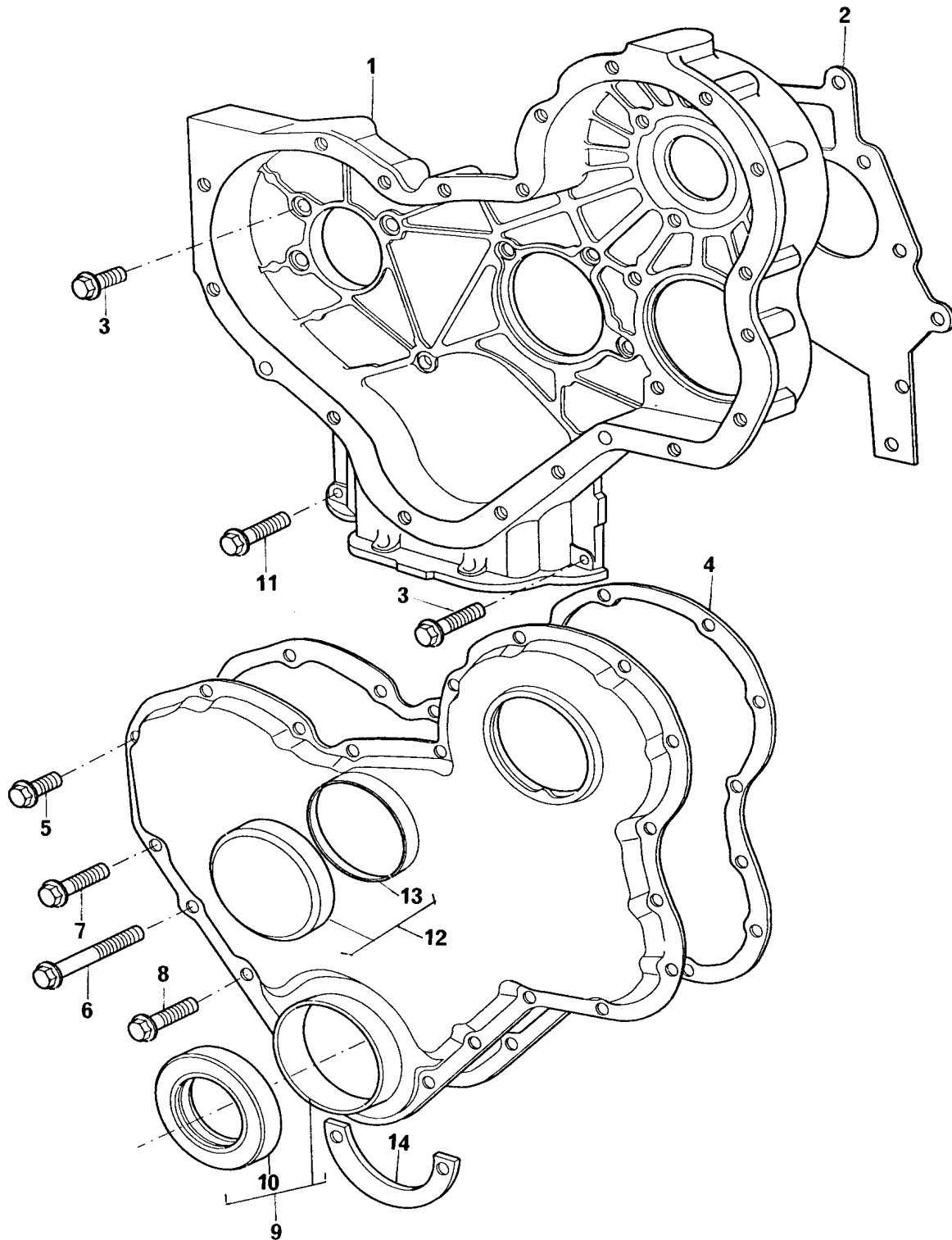
GRUPO
GROUP 11/80
GRUPO
GROUPE

1	4236241		1 BLOCO	BLOCK	BLOQUE	BLOC
2	70530028	1	4 CAMISA	LINER	CAMISA	CHEMISE
3	70650075	1	7 BUJÃO	PLUG	TAPÓN	BOUCHON
4	70650068		1 BUJÃO	PLUG	TAPÓN	BOUCHON
5	33142111	1	10 ANEL LOCALIZADOR	THIMBLE	GUIA	BAGUE
6	32166329	1	10 PARAFUSO	BOLT	TORNILLO	VIS
7	70650076	1	4 BUJÃO	PLUG	TAPÓN	BOUCHON
8	70998033	1	1 BUCHA	BUSH	BUJE	BAGUE
9	70650077	1	4 BUJÃO	PLUG	TAPÓN	BOUCHON
10	0650582	1	1 BUJÃO	PLUG	TAPÓN	BOUCHON
11	70920065	1	1 ARRUELA	WASHER	ARANDELA	RONDELLE
12	70650079	1	1 BUJÃO	PLUG	TAPÓN	BOUCHON
13	70650109	1	2 BUJÃO	PLUG	TAPÓN	BOUCHON
14	70650071	1	1 BUJÃO	PLUG	TAPÓN	BOUCHON
15	70650083	1	2 BUJÃO	PLUG	TAPÓN	BOUCHON
16	3627P013		1 PLACA	PLATE	PLACA	PLAQUE
17	2172514		2 PARAFUSO	BOLT	TORNILLO	VIS
18	70490279		1 JUNTA PLÁSTICA	JOINT	JUNTA	JOINT
19	4236244		1 MOTOR PARCIAL	SHORT ENGINE	MOTOR PARCIAL	MOTEUR PARTIEL
	4236241	19	1 BLOCO	BLOCK	BLOQUE	BLOC
	S4025	19	1 ÁRVORE MANIVELAS	CRANKSHAFT ASSY	CIGUEÑAL	VILEBREQUIN
	70998050	19	4 PISTÃO	PISTON	PISTÓN	PISTON
	635477	19	4 JOGO DE ANÉIS	RING KIT	JUEGO DE AROS	JEU DE SEGMENTS
	4236119	19	4 BIELA	CONNECTING ROD	BIELA	BIELLE
20	4236248		1 JOGO	KIT	JUEGO	JEU

CAIXA DE DISTRIBUIÇÃO
TIMING CASE
CAJA DE DISTRIBUCIÓN
CARTER DE LA DISTRIBUTION

GRUPO
GROUP
GRUPO
GROUPE

12/98



CAIXA DE DISTRIBUIÇÃO
TIMING CASE
CAJA DE DISTRIBUCIÓN
CARTER DE LA DISTRIBUTION

GRUPO
GROUP
GRUPO
GROUPE

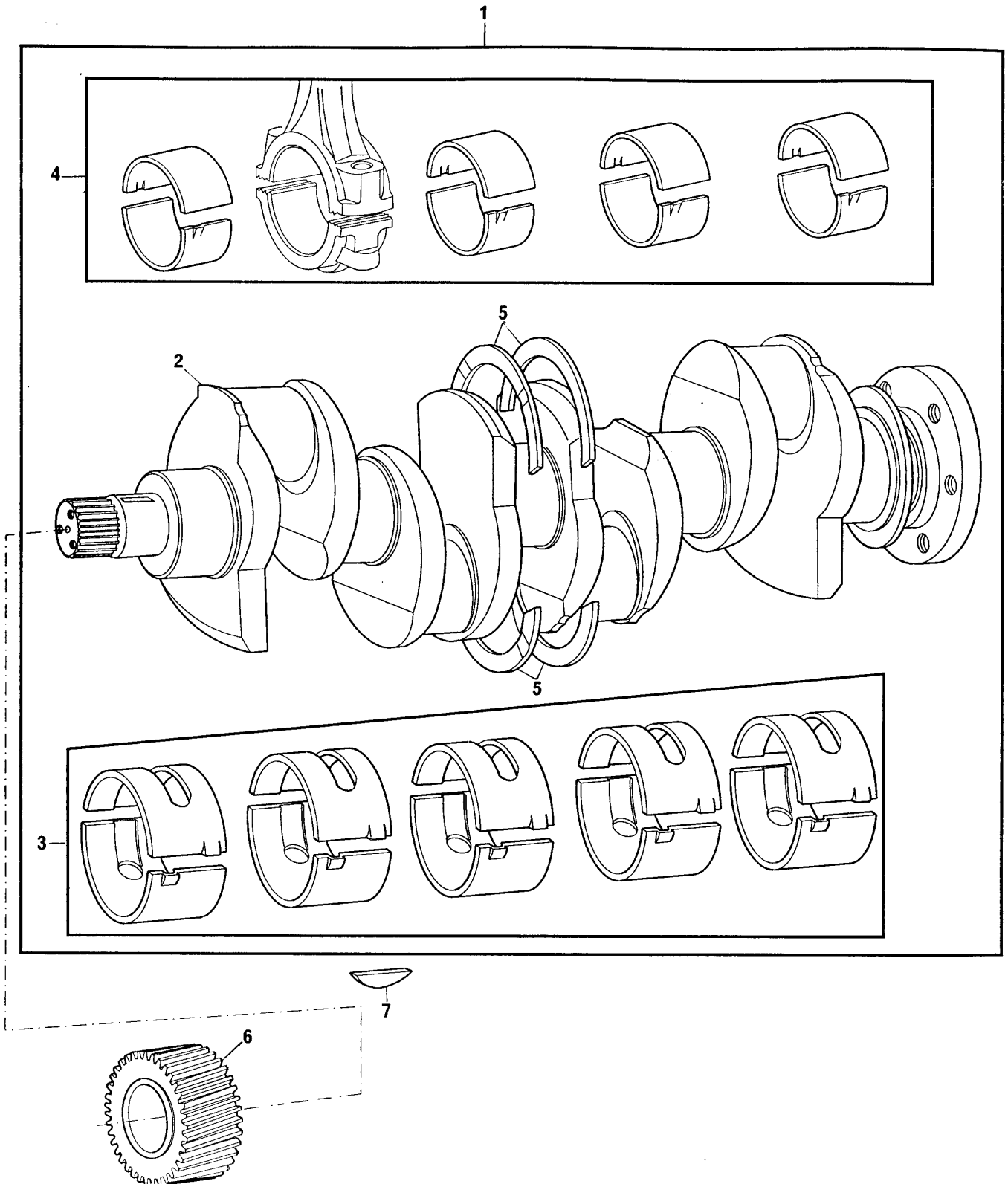
12/98

1	4236258		1 CAIXA	BOX	CAJA	BOITE
2	36814137		1 JUNTA	JOINT	JUNTA	JOINT
3	70740130		9 PARAFUSO	BOLT	TORNILLO	VIS
4	70490259		1 JUNTA	JOINT	JUNTA	JOINT
5	70740129		12 PARAFUSO	BOLT	TORNILLO	VIS
6	70740142		4 PARAFUSO	BOLT	TORNILLO	VIS
7	70740174		1 PARAFUSO	BOLT	TORNILLO	VIS
8	70740307		3 PARAFUSO	BOLT	TORNILLO	VIS
9	70992492		1 TAMPA	COVER	TAPA	COUVERCLE
10	70730043	9	1 VEDADOR	SEAL	RETÉN	GUARNITURE
11	70740308		1 PARAFUSO	BOLT	TORNILLO	VIS
12	70998134	9	1 TAMPA	COVER	TAPA	COUVERCLE
13	70590009	12	1 ANEL DE VEDAÇÃO	SEALING RING	ANILLO SELLADO	BAGUE ÉTANCHÉITE
14	70760029		1 REFORÇO	REINFORCEMENT	REFUERZO	RENFORT

ÁRVORE DE MANIVELAS
CRANKSHAFT
CIGUEÑÁL
VILEBREQUIN

GRUPO
GROUP
GRUPO
GROUPE

13/37



ÁRVORE DE MANIVELAS
 CRANKSHAFT
 CIGUEÑAL
 VILEBREQUIN

GRUPO
 GROUP
 GRUPO
 GROUPE

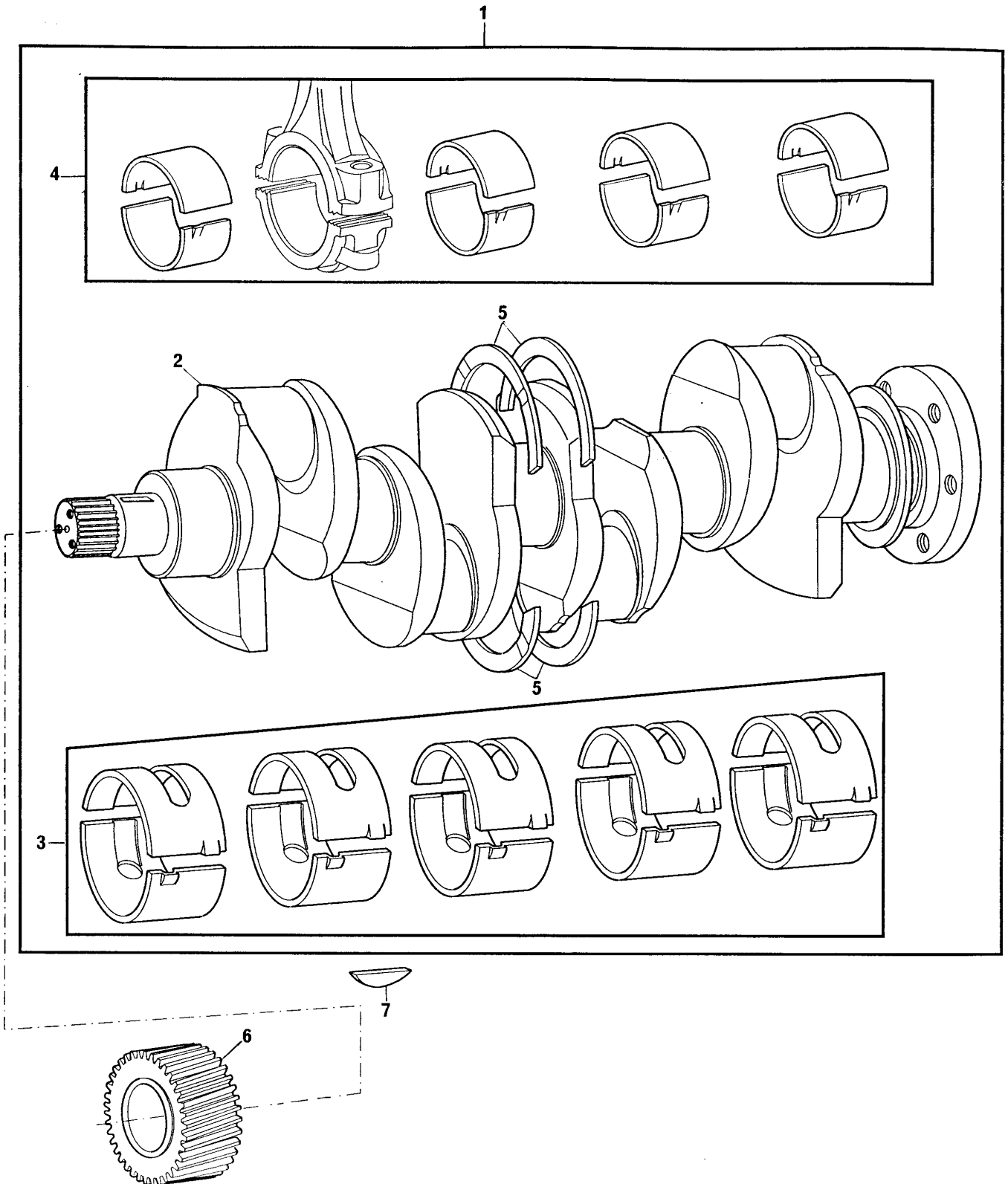
13/37

1	S4004			1	CJ.ÁRVORE MANIV.	CRANKSHAFT KIT	JUEGO CIGUEÑAL	JEU VILEBREQUIN
2	70998009	1		1	ÁRVORE MANIVELAS	CRANKSHAFT	CIGUEÑAL	VILEBREQUIN
3	423669	1	STD	1	JG. CASQUILHOS	BEARING KIT	JUEGO COJINETES	JEU COUSSINETS
3	426669	A	▲ + . 010"	X	JG. CASQUILHOS	BEARING KIT	JUEGO COJINETES	JEU COUSSINETS
3	423669	B	▲ + . 020"	X	JG. CASQUILHOS	BEARING KIT	JUEGO COJINETES	JEU COUSSINETS
3	423669	C	▲ + . 030"	X	JG. CASQUILHOS	BEARING KIT	JUEGO COJINETES	JEU COUSSINETS
4	423670	1	◊ GRUPO 14	1	JG. CASQUILHOS	BEARING KIT	JUEGO COJINETES	JEU COUSSINETS
5	424808	1	STD	1	JG. ARRUELAS	WASHER KIT	JUEGO ARANDELAS	JEU RONDELLES
5	424808	A	▲ + . 0075"	X	JG. ARRUELAS	WASHER KIT	JUEGO ARANDELAS	JEU RONDELLES
6	31171681			1	ENGRENAGEM	GEAR	ENGRENAJE	PIGNON
7	0500012			1	CHAVETA	KEY	CHAVETA	CLAVETTE

ÁRVORE DE MANIVELAS
CRANKSHAFT
CIGUEÑAL
VILEBREQUIN

GRUPO
GROUP
GRUPO
GROUPE


13/38



ÁRVORE DE MANIVELAS
CRANKSHAFT
CIGUEÑAL
VILEBREQUIN

GRUPO
GROUP
GRUPO
GROUPE

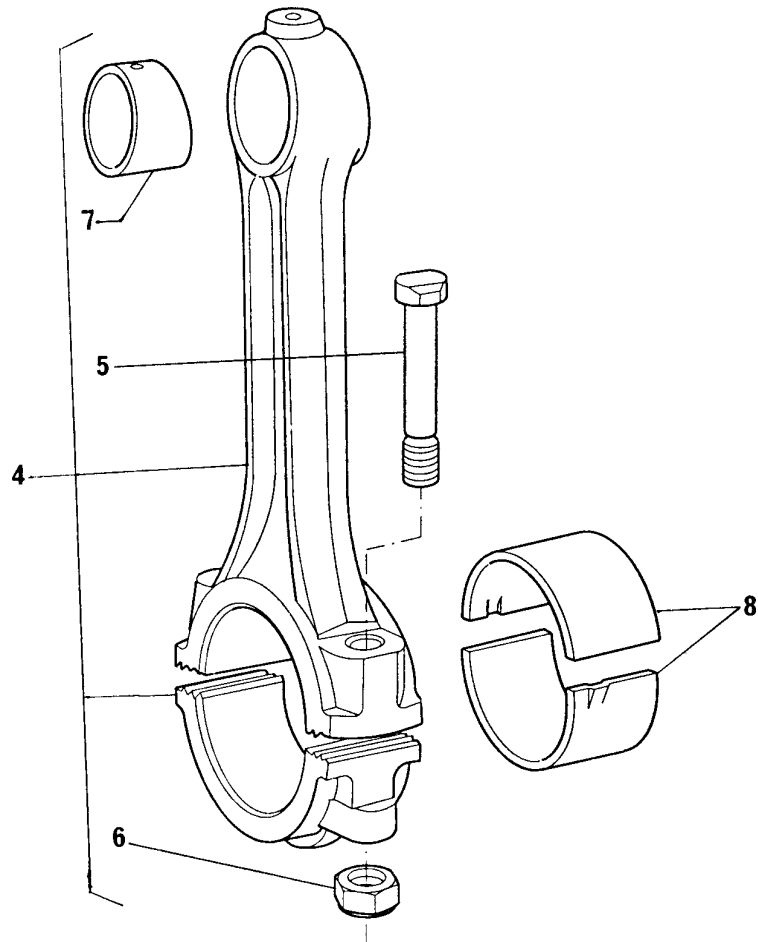
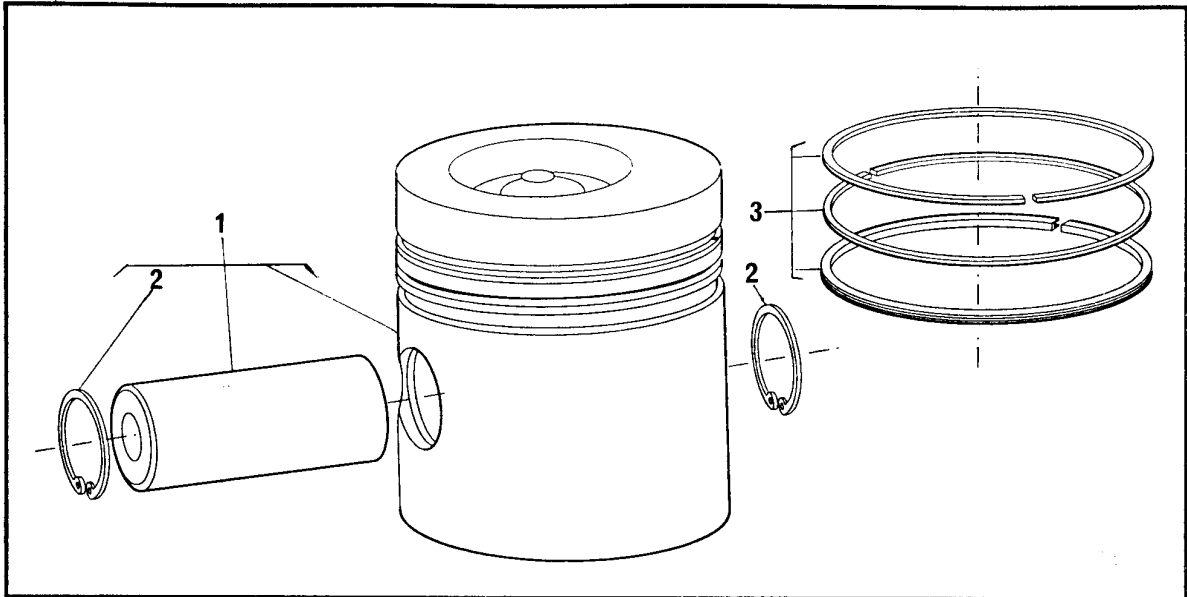
13/38

1	S4025			1	CJ.ÁRVORE MANIV.	CRANKSHAFT KIT	JUEGO CIGUEÑAL	JEU VILEBREQUIN
2	70998009	1		1	ÁRVORE MANIVELAS	CRANKSHAFT	CIGUEÑAL	VILEBREQUIN
3	423669	1	STD	1	JG. CASQUILHOS	BEARING KIT	JUEGO COJINETES	JEU COUSSINETS
3	426669	A	± .010"	X	JG. CASQUILHOS	BEARING KIT	JUEGO COJINETES	JEU COUSSINETS
3	423669	B	± .020"	X	JG. CASQUILHOS	BEARING KIT	JUEGO COJINETES	JEU COUSSINETS
3	423669	C	± .030"	X	JG. CASQUILHOS	BEARING KIT	JUEGO COJINETES	JEU COUSSINETS
4	4236114	1	 GRUPO 14	1	JG. CASQUILHOS	BEARING KIT	JUEGO COJINETES	JEU COUSSINETS
5	424808	1	STD	1	JG. ARRUELAS	WASHER KIT	JUEGO ARANDELAS	JEU RONDELLES
5	424808	A	± .0075"	X	JG. ARRUELAS	WASHER KIT	JUEGO ARANDELAS	JEU RONDELLES
6	31171681			1	ENGRENAGEM	GEAR	ENGRENAGE	PIGNON
7	0500012			1	CHAVETA	KEY	CHAVETA	CLAVETTE

PISTÕES E BIELAS
PISTONS AND CONNECTING RODS
PISTONES Y BIELAS
PISTONES ET BIELLES

GRUPO
GROUP
GRUPO
GROUPE

14/26



PISTÕES E BIELAS
PISTONS AND CONNECTING RODS
PISTONES Y BIELAS
PISTONES ET BIELLES

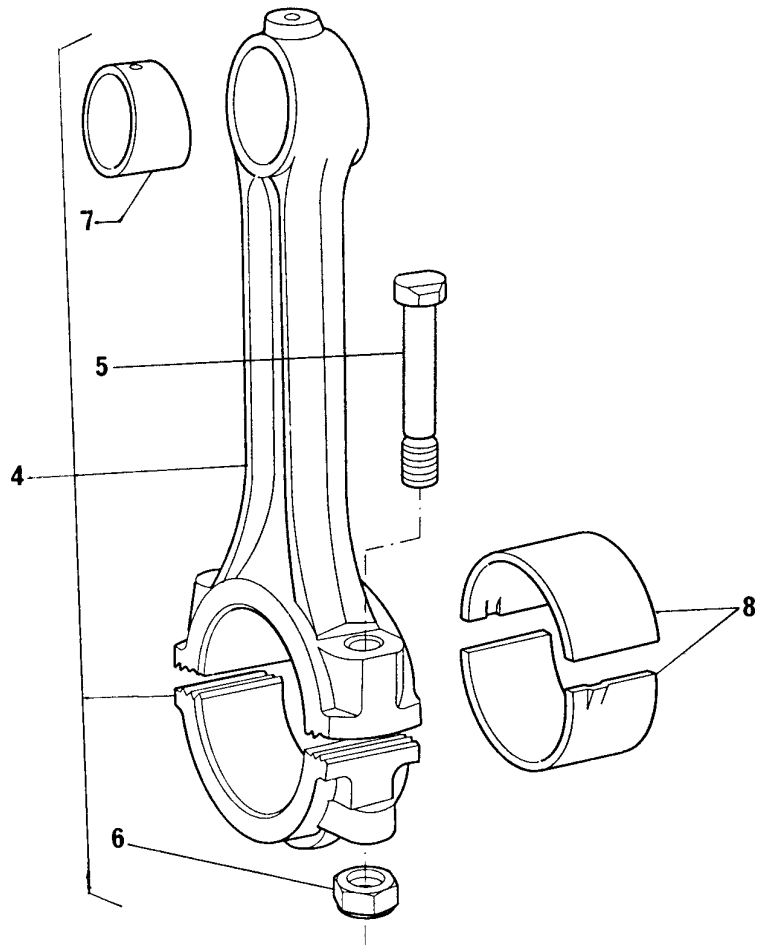
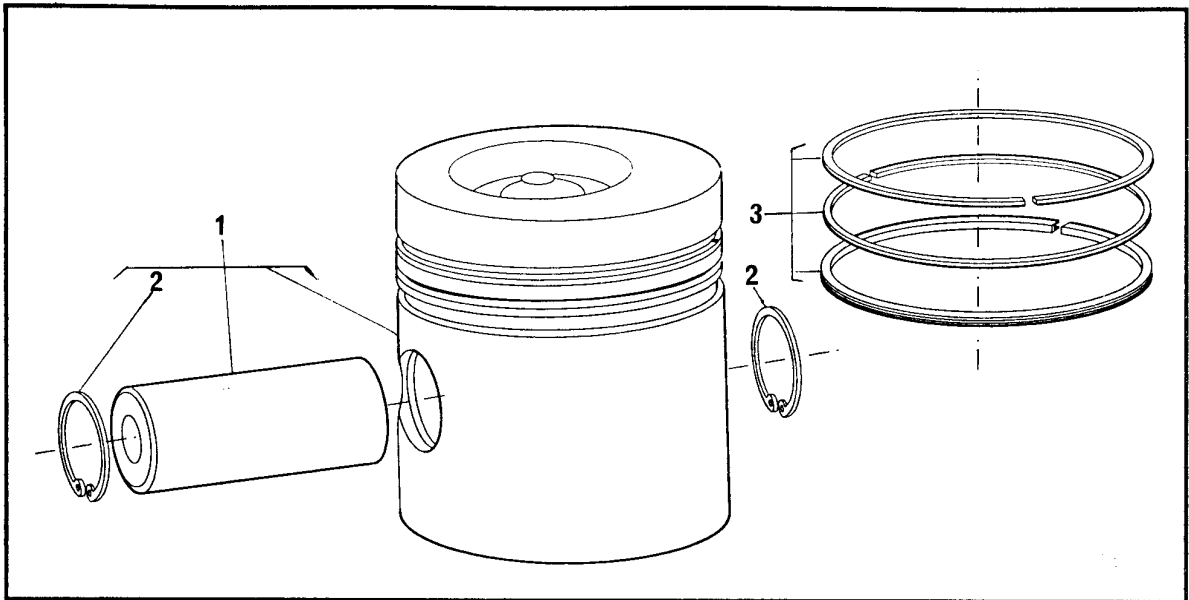
GRUPO
GROUP 14/26
GRUPO
GROUPE

1	70998044			4 PISTÃO	PISTON	PISTÓN	PISTON
2	70170026	1		8 ANEL TRAVA	CIRCLIP	ARO RETÉN	CIRCLIP
3	4236151			4 JOGO DE ANÉIS	RING KIT	JUEGO DE AROS	JEU DE SEGMENTS
4	424804			4 BIELA - CONJUNTO	CONNECTING ROD	BIELA - CONJUNTO	BIELLE - ENSEMBLE
5	32762116	4		8 PARAFUSO	BOLT	TORNILLO	VIS
6	70570094	4		8 PORCA	NUT	TUERCA	ÉCROU
7	70998085	4		4 BUCHA	BUSH	BUJE	BAGUE
8	423670		STD	1 JG. CASQUILHOS	BEARING KIT	JUEGO COJINETES	JEU COUSSINETS
8	423670	A	▼ + . 010"	X JG. CASQUILHOS	BEARING KIT	JUEGO COJINETES	JEU COUSSINETS
8	423670	B	▼ + . 020"	X JG. CASQUILHOS	BEARING KIT	JUEGO COJINETES	JEU COUSSINETS
8	423670	C	▼ + . 030"	X JG. CASQUILHOS	BEARING KIT	JUEGO COJINETES	JEU COUSSINETS

PISTÕES E BIELAS
PISTONS AND CONNECTING RODS
PISTONES Y BIELAS
PISTONES ET BIELLES

GRUPO
GROUP
GRUPO
GROUPE

14/28



PISTÕES E BIELAS
PISTONS AND CONNECTING RODS
PISTONES Y BIELAS
PISTONES ET BIELLES

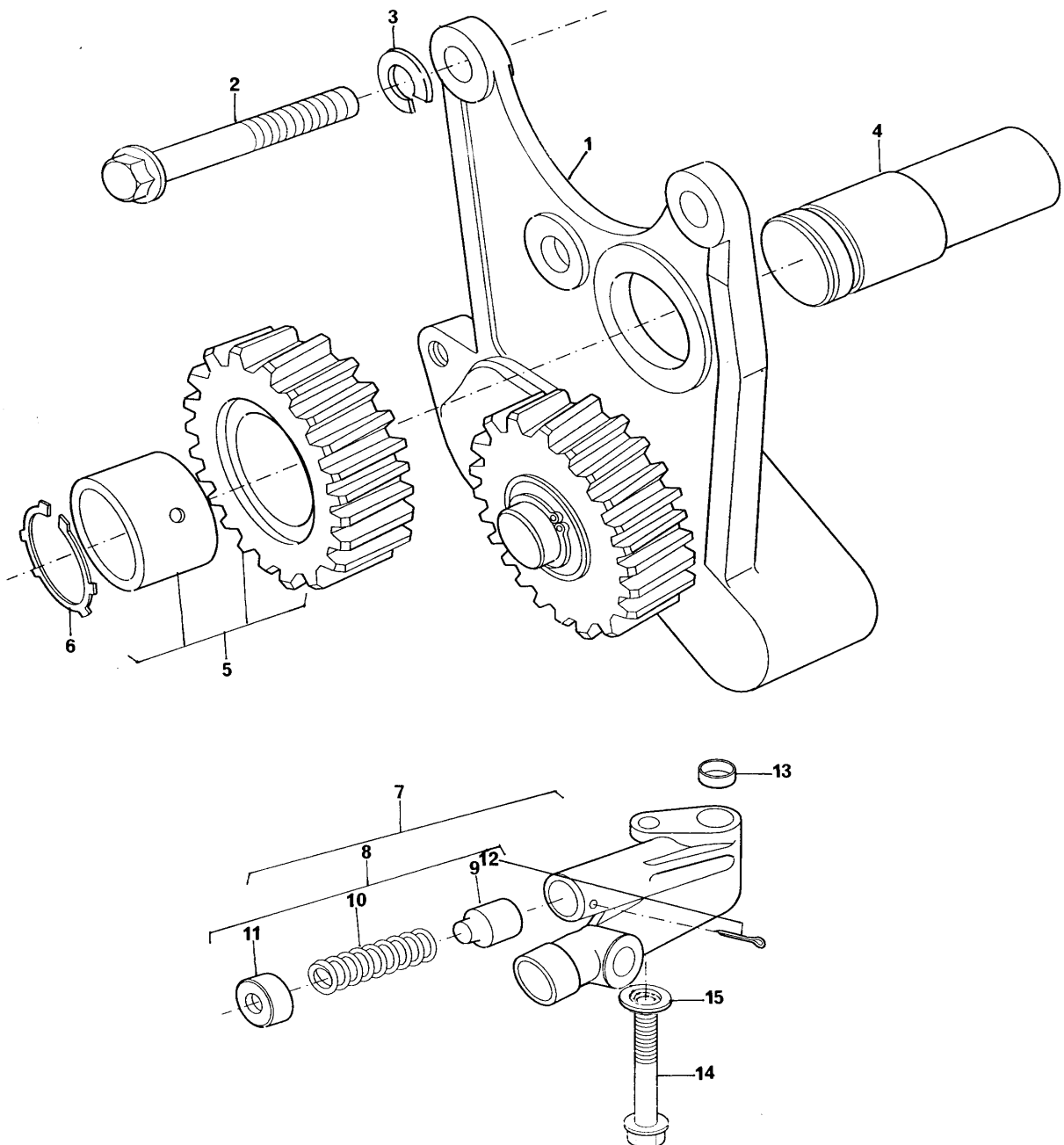
GRUPO
GROUP **14/28**
GRUPO
GROUPE

1	70998050			4 PISTÃO	PISTON	PISTÓN	PISTON
2	70170035	1		8 ANEL TRAVA	CIRCLIP	ARO RETÉN	CIRCLIP
3	635477			4 JOGO DE ANÉIS	RING KIT	JUEGO DE AROS	JEU DE SEGMENTS
4	4236119			4 BIELA - CONJUNTO	CONNECTING ROD	BIELA - CONJUNTO	BIELLE - ENSEMBLE
5	32762116	4		8 PARAFUSO	BOLT	TORNILLO	VIS
6	70570094	4		8 PORCA	NUT	TUERCA	ÉCROU
7	70998078	4		4 BUCHA	BUSH	BUJE	BAGUE
8	4236114		STD	1 JG. CASQUILHOS	BEARING KIT	JUEGO COJINETES	JEU COUSSINETS
8	4236114	A	▼ ▲ + . 010"	X JG. CASQUILHOS	BEARING KIT	JUEGO COJINETES	JEU COUSSINETS
8	4236114	B	▼ ▲ + . 020"	X JG. CASQUILHOS	BEARING KIT	JUEGO COJINETES	JEU COUSSINETS
8	4236114	C	▼ ▲ + . 030"	X JG. CASQUILHOS	BEARING KIT	JUEGO COJINETES	JEU COUSSINETS

BOMBA DE ÓLEO LUBRIFICANTE
LUBRICATING OIL PUMP
BOMBA DE ACEITE LUBRICANTE
POMPE À HUILE LUBRIFIANTE

GRUPO
GROUP
GRUPO
GROUPE

15/08



BOMBA DE ÓLEO LUBRIFICANTE
LUBRICATING OIL PUMP
BOMBA DE ACEITE LUBRICANTE
POMPE À HUILE LUBRIFIANTE

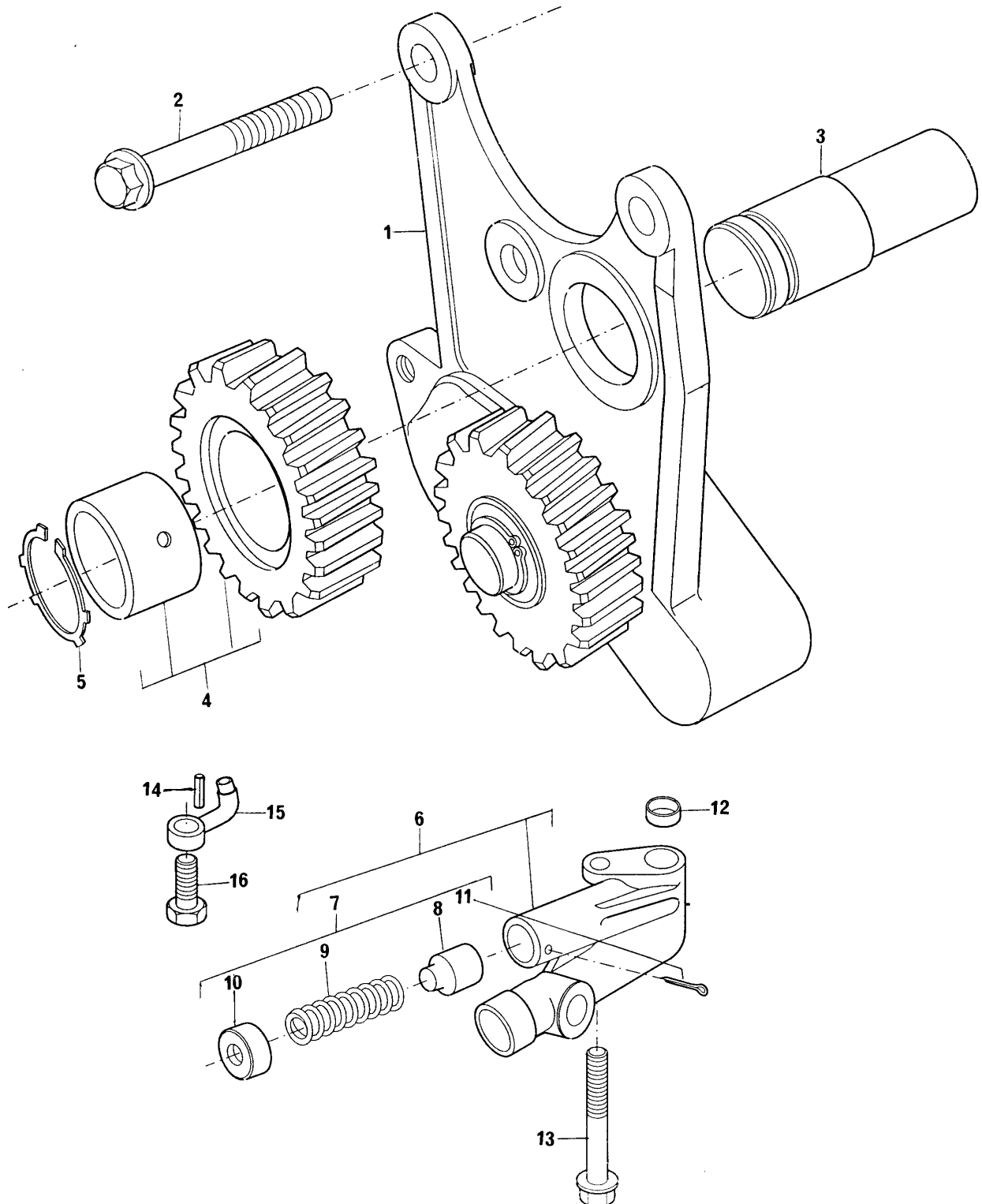
GRUPO
GROUP 15/08
GRUPO
GROUPE

1	41314182	1	BOMBA	PUMP	BOMBA	POMPE
2	0746255	3	PARAFUSO	BOLT	TORNILLO	VIS
3	0920053	3	ARRUELA	WASHER	ARANDELA	RONDELLE
4	32716117	1	EIXO	SHAFT	EJE	ARBRE
5	70991108	1	ENGRENAGEM	GEAR	ENGRANAJE	PIGNON
6	70998036	1	ANEL TRAVA	CIRCLIP	ARO RETÉN	CIRCLIP
7	41371077	1	VÁLVULA ALÍVIO	RELIEF VALVE	VÁLVULA ALÍVIO	SOUPAPE SÉCURITÉ
8	424819	1	JOGO DE REPARO	REPAIR KIT	JUEGO REPARACION	JEU RÉPARATION
9		1	ÊMBOLO	PLUNGER	PISTÓN	PISTÓN
10		1	MOLA	SPRING	RESORTE	RESSORT
11		1	CAPA	CAP	TAPA	CHAPÉAU
12	0610012	1	CONTRA PINO	COTTER PIN	PASADOR DOBLE	GOUPILLE
13	33137408	1	ANEL LOCALIZADOR	THIMBLE	GUIA	BAGUE
14	0096438	1	PARAFUSO	BOLT	TORNILLO	VIS
15	0920054	1	ARRUELA	WASHER	ARANDELA	RONDELLE

BOMBA DE ÓLEO LUBRIFICANTE
LUBRICATING OIL PUMP
BOMBA DE ACEITE LUBRIFICANTE
POMPE À HUILE LUBRIFIANTE

GRUPO
GROUP
GRUPO
GROUPE

15/22



BOMBA DE ÓLEO LUBRIFICANTE
LUBRICATING OIL PUMP
BOMBA DE ACEITE LUBRIFICANTE
POMPE À HUILE LUBRIFIANTE

GRUPO
GROUP
GRUPO
GROUPE

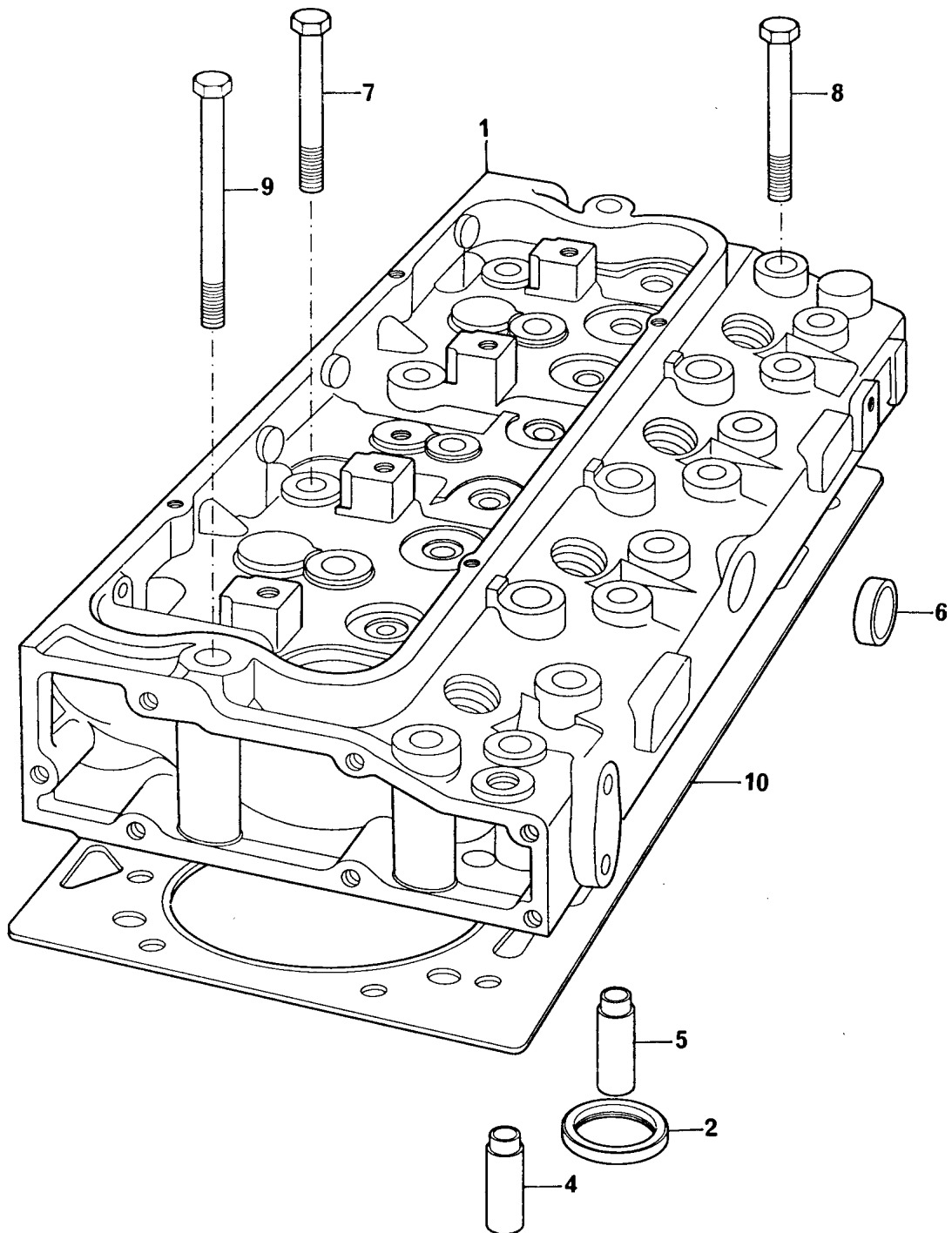
15/22

1	4132F012		1	BOMBA	PUMP	BOMBA	POMPE
2	70740130		3	PARAFUSO	BOLT	TORNILLO	VIS
3	32716117		1	EIXO	SHAFT	EJE	ARBRE
4	70991108		1	ENGRENAGEM	GEAR	ENGRANAJE	PIGNON
5	70998036		1	ANEL TRAVA	CIRCLIP	ARO RETÉN	CIRCLIP
6	70992498		1	VÁLVULA ALÍVIO	RELIEF VALVE	VÁLVULA ALÍVIO	SOUPAPE SÉCURITÉ
7	S4029	6	1	JOGO DE REPARO	REPAIR KIT	JUEGO REPARACION	JEU RÉPARATION
8		7	1	ÊMBOLO	PLUNGER	PISTÓN	PISTÓN
9		7	1	MOLA	SPRING	RESORTE	RESSORT
10		7	1	CAPA	CAP	TAPA	CHAPÉAU
11	0610012	7	1	CONTRA PINO	COTTER PIN	PASADOR DOBLE	GOUPILLE
12	33137408		1	ANEL LOCALIZADOR	THIMBLE	GUIA	BAGUE
13	70740310		1	PARAFUSO	BOLT	TORNILLO	VIS
14	2116024		4	PINO	PIN	PERNO	AXE
15	70992547		4	TUBO	PIPE	CANO	TUYAUTERIE
16	4138A017		4	VÁLVULA	VALVE	VÁLVULA	SOUPAPE

CABEÇOTE
CYLINDER HEAD
CULATA
CULASSE

GRUPO
GROUP
GRUPO
GROUPE

17/27



CABEÇOTE
CYLINDER HEAD
CULATA
CULASSE

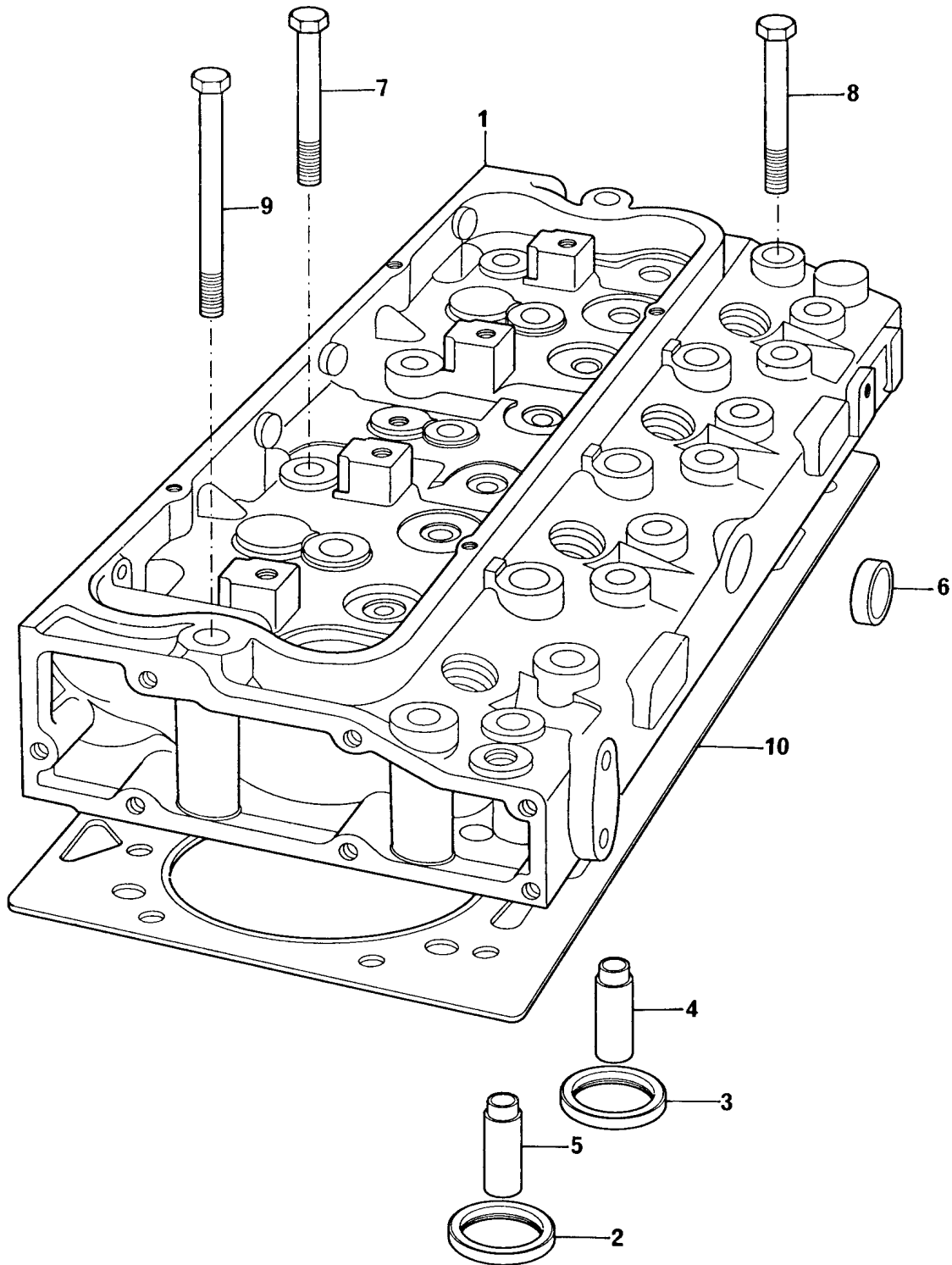
GRUPO
GROUP 17/27
GRUPO
GROUPE

1	4236206		1	CABEÇOTE	CYLINDER HEAD	CULATA	CULASSE
2	33152153	1	4	SEDE DE ESCAPE	INSERT-EXHAUST	INSERTO-ESCAPE	SIEGE RAPPORTÉ
4	70420019	1	4	GUIA DE ADMISSÃO	INLET GUIDE	GUIA ADMISIÓN	GUIDE ADMISSION
5	70420019	1	4	GUIA DE ESCAPE	EXHAUST GUIDE	GUIA ESCAPE	GUIDE ÉCHAPP
6	70650075	1	1	BUJÃO	PLUG	TAPÓN	BOUCHON
*	70998163	1	4	VÁLVULA ESCAPE	EXHAUST VALVE	VÁLVULA ESCAPE	SOUPAPE ÉCHAPP
*	70910032	1	4	VÁLVULA ADMISSÃO	INLET VALVE	VÁLVULA ADMISIÓN	SOUPAPE ADM.
*	70730051	1	8	VEDADOR	SEAL	DEFLECTOR	DÉFLECTEUR
*	70998136	1	8	MOLA	SPRING	RESORTE	RESSORT
*	70230010	1	16	TRAVA	COTTER	SEGURO CÔNICO	CLAVETTE
*	70150047	1	8	CAPA	CAP	CASQUILLO	CUVETTE
+	36851409	1	1	JUNTA	JOINT	JUNTA	JOINT
+	36212152	1	1	TAMPA TRASEIRA	REAR COVER	TAPA TRASERA	COUVERCLE
+	70740130	1	6	PARAFUSO	BOLT	TORNILLO	VIS
7	70740340		2	PARAFUSO	BOLT	TORNILLO	VIS
8	70740341		12	PARAFUSO	BOLT	TORNILLO	VIS
9	70740342		8	PARAFUSO	BOLT	TORNILLO	VIS
10	3681E034		1	JUNTA	GASKET	JUNTA	JOINT
*	VIDE GRUPO	18					
	SEE GROUP	18					
	VÉASE GRUPO	18					
	VOIR GROUPE	18					
+	VIDE GRUPO	36					
	SEE GROUP	36					
	VÉASE GRUPO	36					
	VOIR GROUPE	36					

CABEÇOTE
CYLINDER HEAD
CULATA
CULASSE

GRUPO
GROUP
GRUPO
GROUPE

17/32



**CABEÇOTE
CYLINDER HEAD
CULATA
CULASSE**

**GRUPO
GROUP
GRUPO
GROUPE**

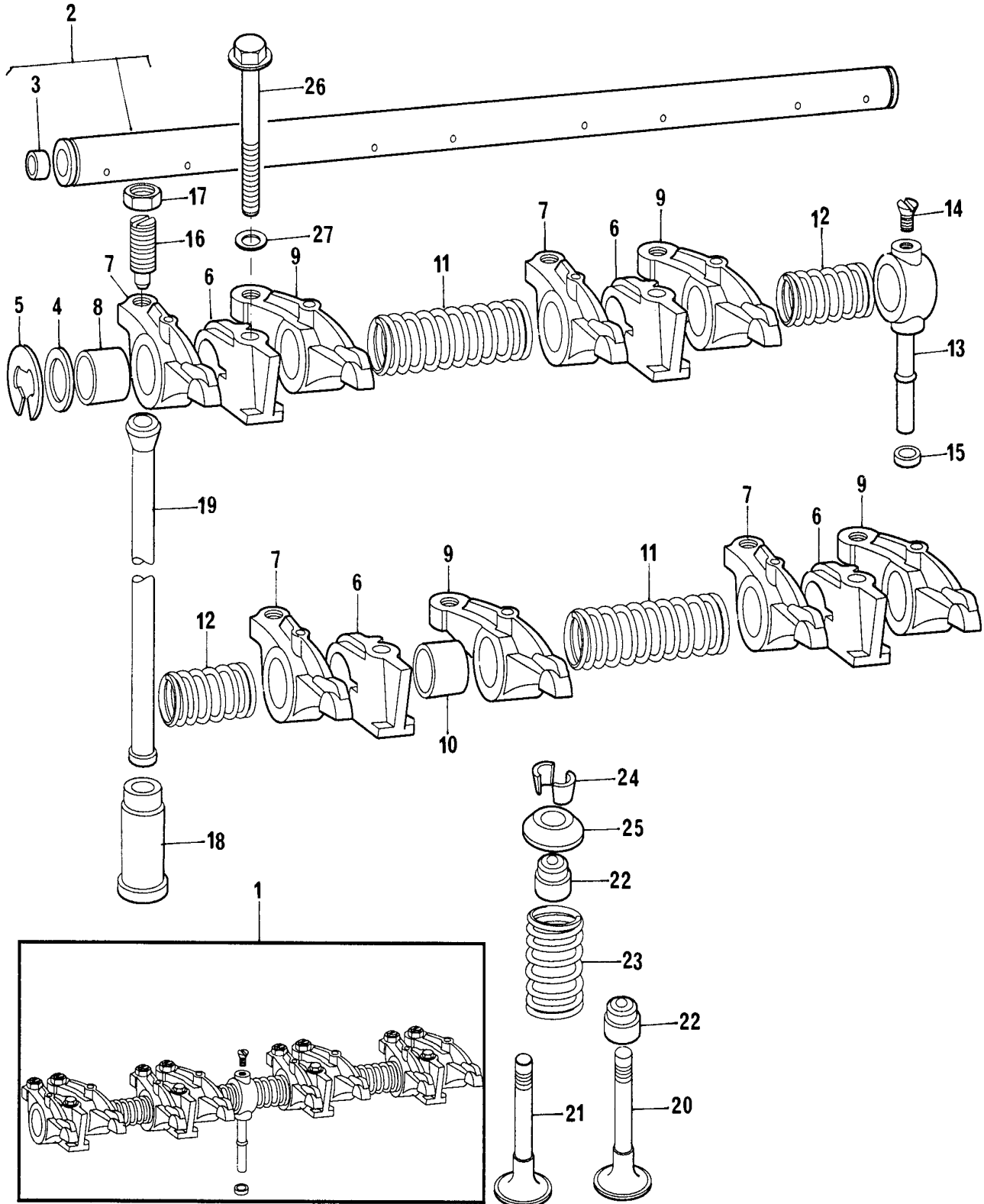
17/32

1	4136205		1	CABEÇOTE	CYLINDER HEAD	CULATA	CULASSE
2	33152153	1	4	SEDE DE ESCAPE	INSERT-EXHAUST	INSERTO-ESCAPE	SIEGE RAPPORTÉ
3	70470053	1	4	SEDE DE ADMISSÃO	INSERT-INLET	INSERTO-ADMISIÓN	SIEGE RAPPORTÉ
4	70420019	1	4	GUIA DE ADMISSÃO	INLET GUIDE	GUIA ADMISIÓN	GUIDE ADMISSION
5	70420019	1	4	GUIA DE ESCAPE	EXHAUST GUIDE	GUIA ESCAPE	GUIDE ÉCHAPP
6	70650075	1	1	BUJÃO	PLUG	TAPÓN	BOUCHON
*	70998163	1	4	VÁLVULA ESCAPE	EXHAUST VALVE	VÁLVULA ESCAPE	SOUPAPE ÉCHAPP
*	70998162	1	4	VÁLVULA ADMISSÃO	INLET VALVE	VÁLVULA ADMISIÓN	SOUPAPE ADM.
*	70730051	1	8	VEDADOR	SEAL	DEFLECTOR	DÉFLECTEUR
*	70998136	1	8	MOLA	SPRING	RESORTE	RESSORT
*	70230010	1	16	TRAVA	COTTER	SEGURO CÔNICO	CLAVETTE
*	70150047	1	8	CAPA	CAP	CASQUILLO	CUVETTE
+	36851409	1	1	JUNTA	JOINT	JUNTA	JOINT
+	36212152	1	1	TAMPA TRASEIRA	REAR COVER	TAPA TRASERA	COUVERCLE
+	70740130	1	6	PARAFUSO	BOLT	TORNILLO	VIS
7	70740340		2	PARAFUSO	BOLT	TORNILLO	VIS
8	70740341		12	PARAFUSO	BOLT	TORNILLO	VIS
9	70740342		8	PARAFUSO	BOLT	TORNILLO	VIS
10	70998194		1	JUNTA	GASKET	JUNTA	JOINT
*	VIDE GRUPO	18					
	SEE GROUP	18					
	VÉASE GRUPO	18					
	VOIR GROUPE	18					
+	VIDE GRUPO	36					
	SEE GROUP	36					
	VÉASE GRUPO	36					
	VOIR GROUPE	36					

VÁLVULAS E BALANCEIROS
VALVES AND ROCKERSHAFTS
VÁLVULAS Y BALANCINES
SOUPAPES ET LEVIERS OSCILLANTS

GRUPO
GROUP
GRUPO
GROUPE

18/28



VÁLVULAS E BALANCEIROS
VALVES AND ROCKERSHAFTS
VÁLVULAS Y BALANCINES
SOUPAPES ET LEVIERS OSCILLANTS

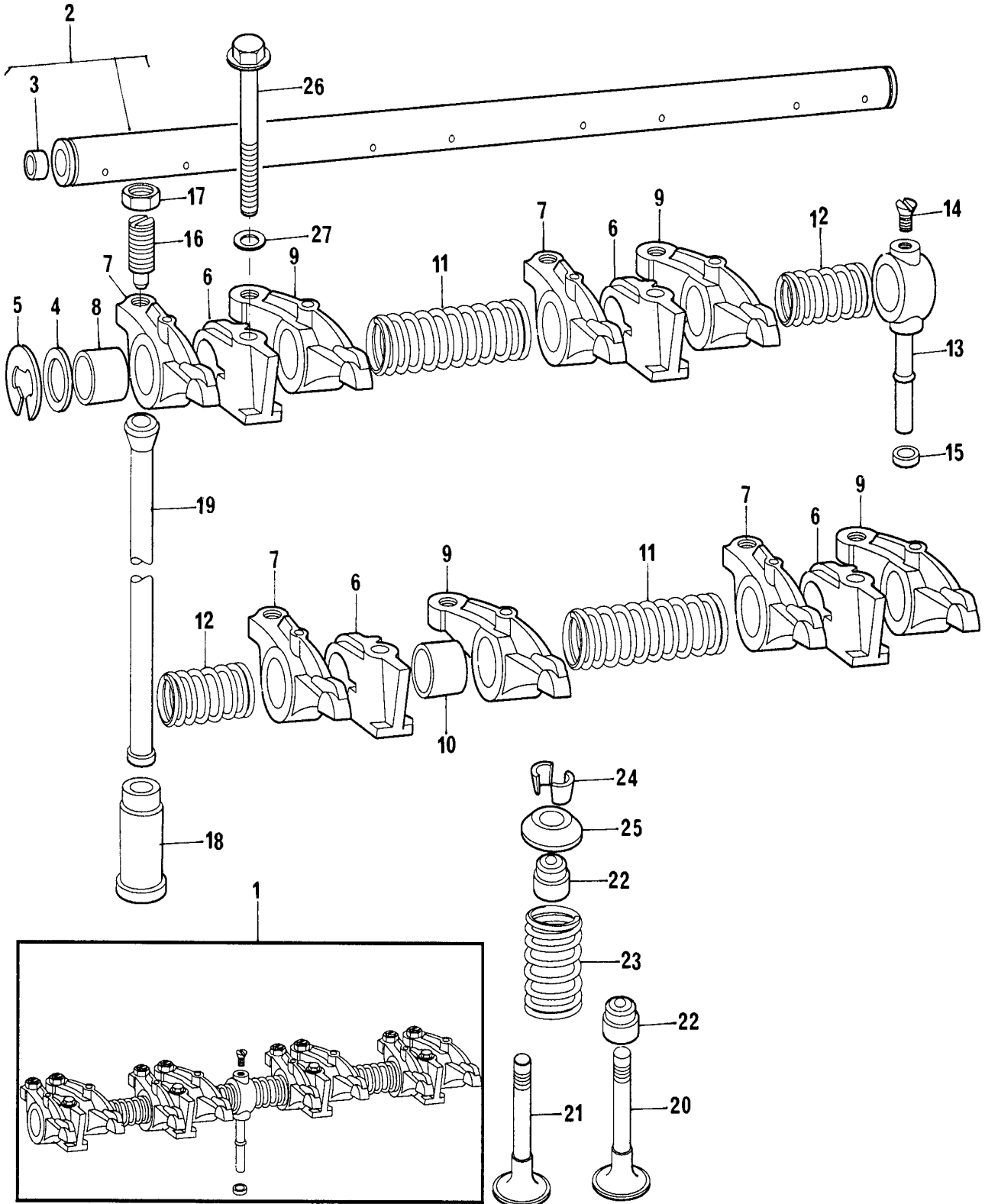
GRUPO
GROUP 18/28
GRUPO
GROUPE

1	424823		1	EIXO BALANCEIRO	ROCKERSHAFT ASSY	EJE BALANCINES	RAMPE CULBUTEURS
2	424807	1	1	EIXO	SHAFT	EJE	ARBRE
3	0650507	2	2	BUJÃO	PLUG	TAPÓN	BOUCHON
4	33117415	1	2	ARRUELA	WASHER	ARANDELA	RONDELLE
5	0170151	1	2	ANEL TRAVA	CIRCLIP	ARO RETÉN	CIRCLIP
6	70100716	1	4	SUPORTE	BRACKET	SOPORTE	SUPPORT
7	70998095	1	4	BALANCEIRO	ROCKER LEVER	BALANCÍN	LEVIER OSCILLANT
8	2511425	7	4	BUCHA	BUSH	BUJE	BAGUE
9	70998096	1	4	BALANCEIRO	ROCKER LEVER	BALANCÍN	LEVIER OSCILLANT
10	2511425	9	4	BUCHA	BUSH	BUJE	BAGUE
11	31744123	1	2	MOLA	SPRING	RESORTE	RESSORT
12	31743108	1	2	MOLA	SPRING	RESORTE	RESSORT
13	35511111	1	1	TUBO	PIPE	CAÑO	TUYAUTERIE
14	0726504	1	1	PARAFUSO	BOLT	TORNILLO	VIS
15	33811113		1	ANEL "O"	"O" RING	ARO SELLO	JOINT TORIQUE
16	0720579		8	PARAFUSO	BOLT	TORNILLO	VIS
17	0576052		8	PORCA	NUT	TUERCA	ÉCROU
18	31434163		8	TUCHO	TAPPET	BOTADOR	POUSSOIR
19	70998041		8	VARETA	PUSH-ROD	VARILLA	TIGE
20	70998163		4	VÁLVULA ESCAPE	EXHAUST VALVE	VÁLVULA ESCAPE	SOUPAPE ÉCHAPP
21	70910032		4	VÁLVULA ADMISSÃO	INLET VALVE	VÁLVULA ADMISIÓN	SOUPAPE ADM.
22	70730051		8	VEDADOR	SEAL	DEFLECTOR	DEFLECTEUR
23	70998136		8	MOLA	SPRING	RESORTE	RESSORT
24	70230010		16	TRAVA	COTTER	SEGURO CÓNICO	CLAVETTE
25	70150047		8	CAPA	CAP	CASQUILLO	CUVETTE
26	0096634		4	PARAFUSO	BOLT	TORNILLO	VIS
27	0920006		4	ARRUELA	WASHER	ARANDELA	RONDELLE

VÁLVULAS E BALANCEIROS
VALVES AND ROCKERSHAFTS
VÁLVULAS Y BALANCINES
SOUPAPES ET LEVIERS OSCILLANTS

GRUPO
GROUP
GRUPO
GROUPE

18/42



VÁLVULAS E BALANCEIROS
 VALVES AND ROCKERSHAFTS
 VÁLVULAS Y BALANCINES
 SOUPAPES ET LEVIERS OSCILLANTS

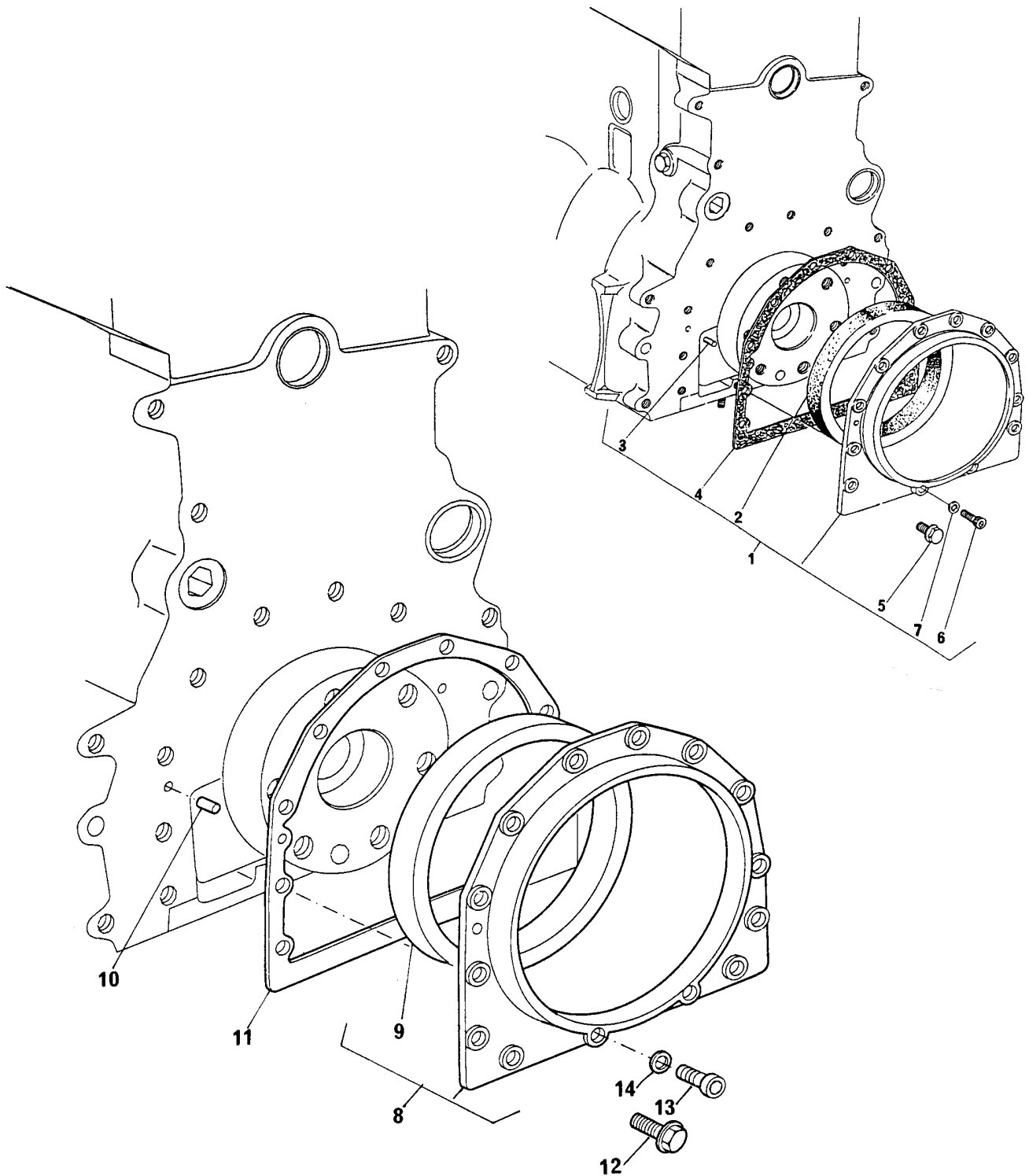
GRUPO
 GROUP 18/42
 GRUPO
 GROUPE

1	424823		1	EIXO BALANCEIRO	ROCKERSHAFT ASSY	EJE BALANCINES	RAMPE CULBUTEURS
2	424807	1	1	EIXO	SHAFT	EJE	ARBRE
3	0650507	2	2	BUJÃO	PLUG	TAPÓN	BOUCHON
4	33117415	1	2	ARRUELA	WASHER	ARANDELA	RONDELLE
5	0170151	1	2	ANEL TRAVA	CIRCLIP	ARO RETÉN	CIRCLIP
6	70100716	1	4	SUPORTE	BRACKET	SOPORTE	SUPPORT
7	70998095	1	4	BALANCEIRO	ROCKER LEVER	BALANCÍN	LEVIER OSCILLANT
8	2511425	7	4	BUCHA	BUSH	BUJE	BAGUE
9	70998096	1	4	BALANCEIRO	ROCKER LEVER	BALANCÍN	LEVIER OSCILLANT
10	2511425	9	4	BUCHA	BUSH	BUJE	BAGUE
11	31744123	1	2	MOLA	SPRING	RESORTE	RESSORT
12	31743108	1	2	MOLA	SPRING	RESORTE	RESSORT
13	35511111	1	1	TUBO	PIPE	CAÑO	TUYAUTERIE
14	0726504	1	1	PARAFUSO	BOLT	TORNILLO	VIS
15	33811113		1	ANEL "O"	"O" RING	ARO SELLO	JOINT TORIQUE
16	0720579		8	PARAFUSO	BOLT	TORNILLO	VIS
17	0576052		8	PORCA	NUT	TUERCA	ÉCROU
18	31434163		8	TUCHO	TAPPET	BOTADOR	POUSSOIR
19	70998041		8	VARETA	PUSH-ROD	VARILLA	TIGE
20	70998163		4	VÁLVULA ESCAPE	EXHAUST VALVE	VÁLVULA ESCAPE	SOUPAPE ÉCHAPP
21	70998162		4	VÁLVULA ADMISSÃO	INLET VALVE	VÁLVULA ADMISIÓN	SOUPAPE ADM.
22	70730051		8	VEDADOR	SEAL	DEFLECTOR	DEFLECTEUR
23	70998136		8	MOLA	SPRING	RESORTE	RESSORT
24	70230010		16	TRAVA	COTTER	SEGURO CÓNICO	CLAVETTE
25	70150047		8	CAPA	CAP	CASQUILLO	CUVETTE
26	0096634		4	PARAFUSO	BOLT	TORNILLO	VIS
27	0920006		4	ARRUELA	WASHER	ARANDELA	RONDELLE

RETENTOR TRASEIRO DA ÁRVORE DE MANIVELAS
CRANKSHAFT REAR OIL SEAL
SELLO TRASERO DE ACEITE
DÉFLECTEUR D'HUILE ARRIERE

GRUPO
GROUP
GRUPO
GROUPE

20/17



RETENTOR TRASEIRO DA ÁRVORE DE MANIVELAS
 CRANKSHAFT REAR OIL SEAL
 SELLO TRASERO DE ACEITE
 DÉFLECTEUR D'HUILE ARRIERE

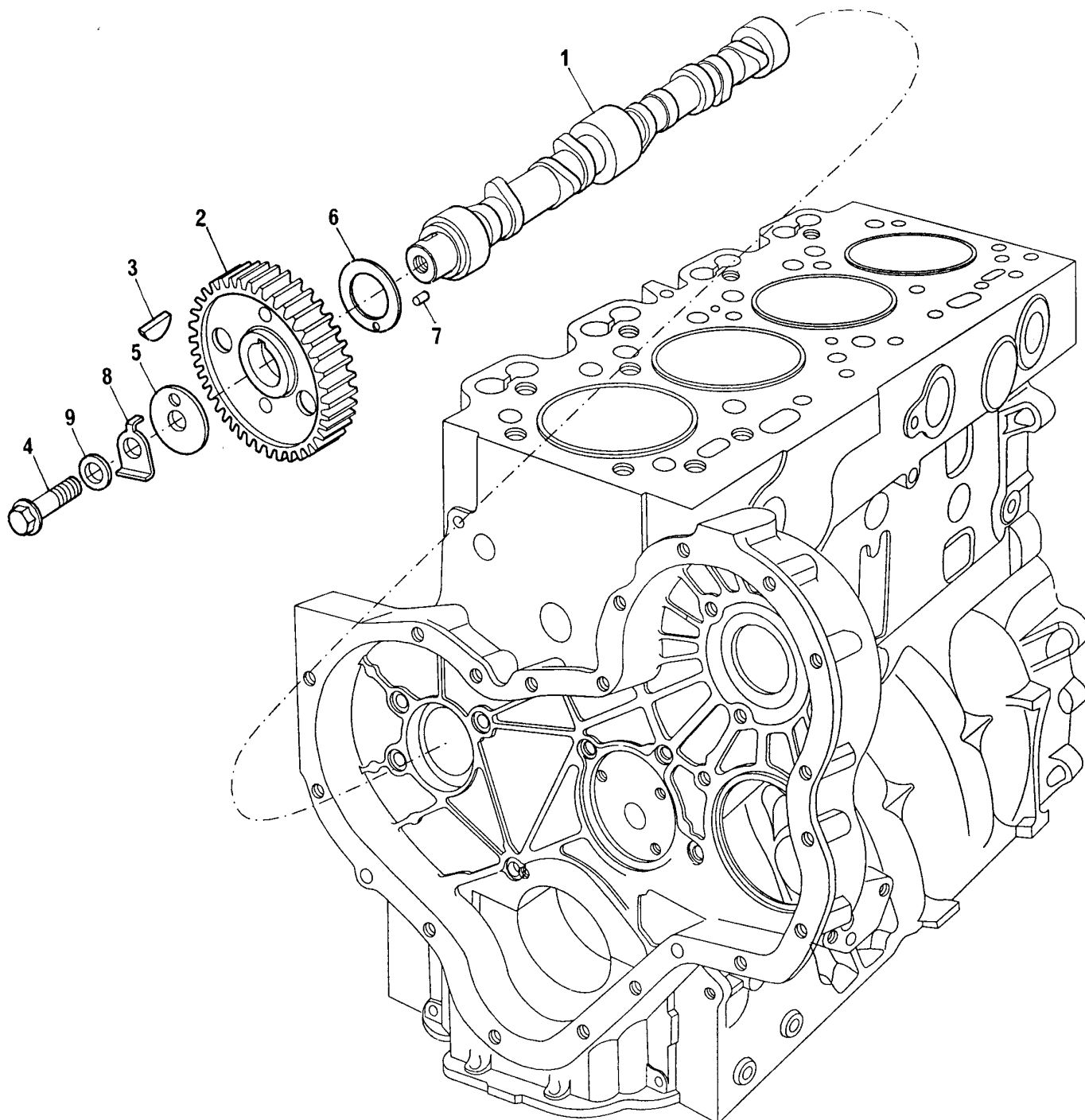
GRUPO
 GROUP 20/17
 GRUPO
 GROUPE

1	424828		1	CJ. RETENTOR	SEAL-ASSY		CJ. SELLO	JEU DEFLECTEUR
2	70730050	1	1	RETENTOR	SEAL		SELLO	DEFLECTEUR
3	0350009	1	2	PINO GUIA	DOWEL		ESPIGA	PION
4	36817157	1	1	JUNTA	JOINT		JUNTA	JOINT
5	70740130	1	10	PARAFUSO	BOLT		TORNILLO	VIS
6	2172530	1	2	PARAFUSO	BOLT		TORNILLO	VIS
7	33112111	1	2	ARRUELA	WASHER		ARANDELA	RONDELLE
8	70993401		1	CJ. RETENTOR	SEAL-ASSY		CJ. SELLO	JEU DEFLECTEUR
9	70730050	1	1	RETENTOR	SEAL		SELLO	DEFLECTEUR
10	0350009		2	PINO GUIA	DOWEL		ESPIGA	PION
11	36817181		1	JUNTA	JOINT		JUNTA	JOINT
12	70740130		12	PARAFUSO	BOLT		TORNILLO	VIS
13	2172530		2	PARAFUSO	BOLT		TORNILLO	VIS
14	33112111		2	ARRUELA	WASHER		ARANDELA	RONDELLE

ÁRVORE DE COMANDO DAS VÁLVULAS
CAMSHAFT
ARBOL DE LEVAS
ARBRE À CAMES

GRUPO
GROUP
GRUPO
GROUPE

21/09



ÁRVORE DE COMANDO DAS VÁLVULAS
CAMSHAFT
ARBOL DE LEVAS
ARBRE À CAMES

GRUPO
GROUP
GRUPO
GROUPE

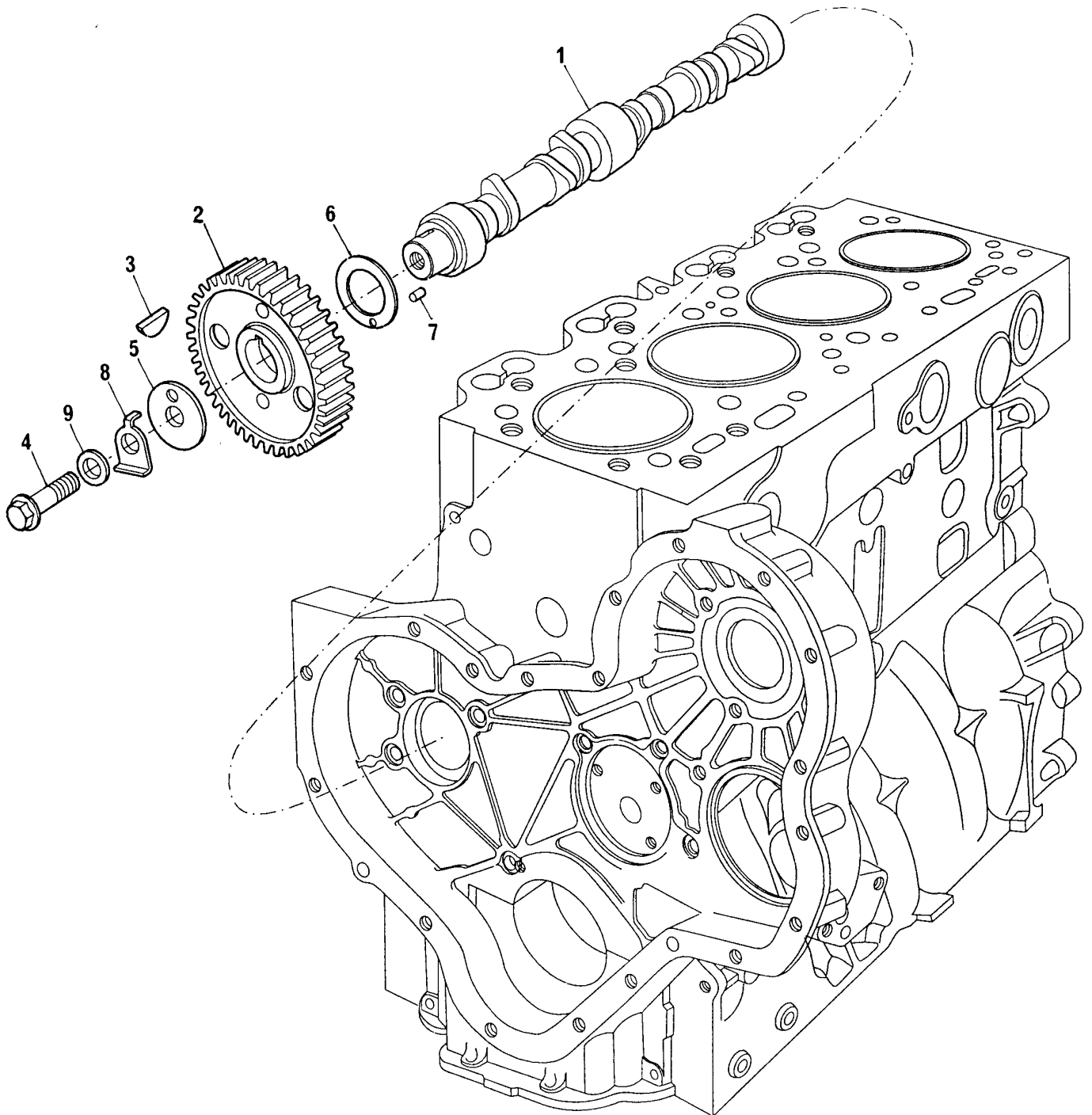
21/09

1	31415371	1	ÁRVORE COMANDO	CAMSHAFT	ÁRBOL DE LEVAS	ARBRE A CAMES
2	31171931	1	ENGRENAGEM	GEAR	ENGRANAJE	PIGNON
3	0500012	1	CHAVETA	KEY	CHAVETA	CLAVETTE
4	32161209	1	PARAFUSO	BOLT	TORNILLO	VIS
5	33153128	1	PLACA	PLATE	PLACA	PLAQUE
6	33153121	1	ARRUELA DE ENCOSTO	THRUST WASHER	ARANDELA	RONDELLE
7	0610844	1	PINO GUIA	DOWEL	ESPIGA	PION
8	31733121	1	ARRUELA TRAVA	WASHER	ARANDELA	RONDELLE
9	33115408	1	CALÇO	SHIM	SUPLEMENTO	CALE

ÁRVORE DE COMANDO DAS VÁLVULAS
CAMSHAFT
ARBOL DE LEVAS
ARBRE À CAMES

GRUPO
GROUP
GRUPO
GROUPE

21/27



ÁRVORE DE COMANDO DAS VÁLVULAS
CAMSHAFT
ARBOL DE LEVAS
ARBRE À CAMES

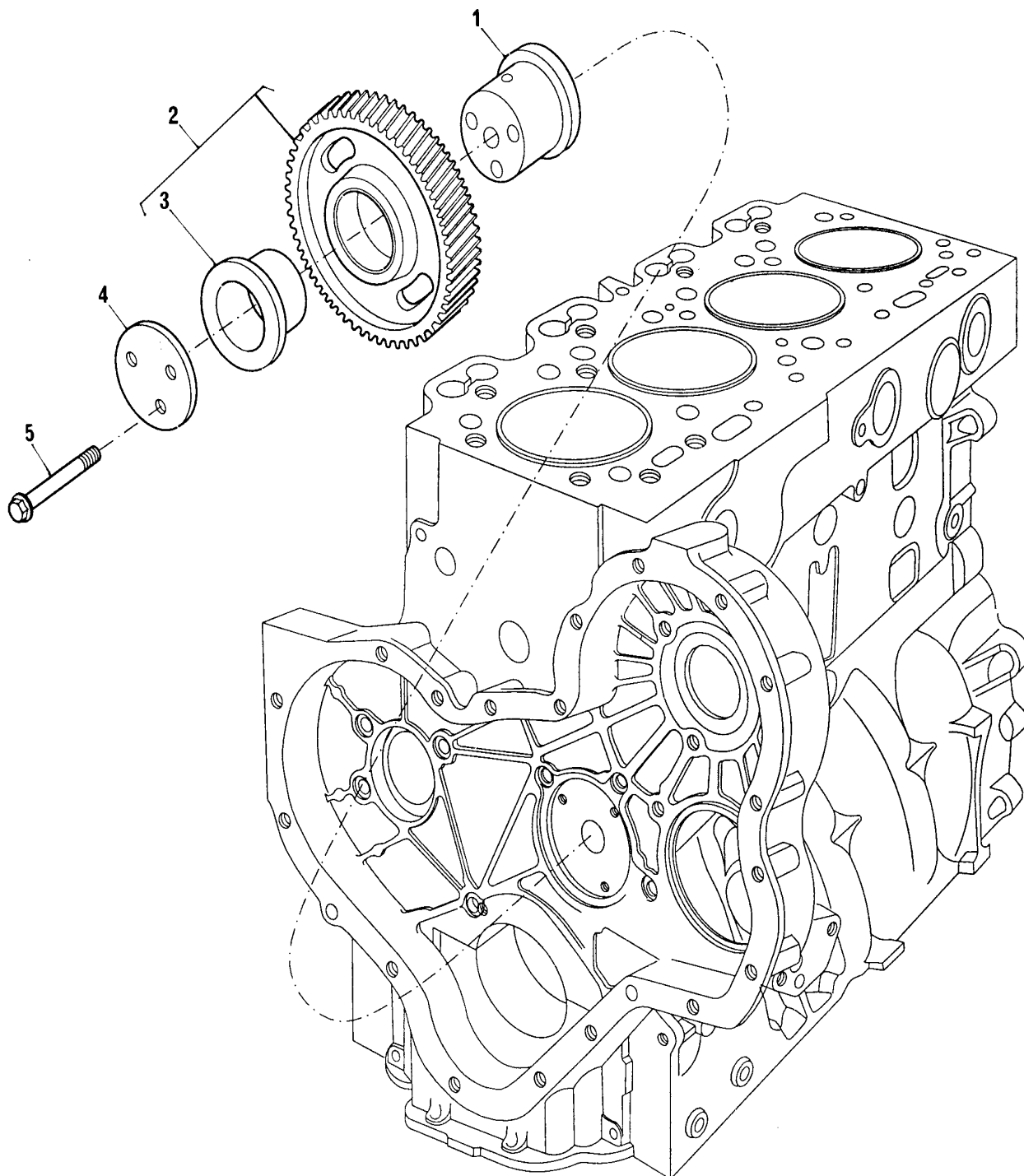
GRUPO
GROUP 21/27
GRUPO
GROUPE

1	31415373	1	ÁRVORE COMANDO	CAMSHAFT	ÁRBOL DE LEVAS	ARBRE A CAMES
2	31171931	1	ENGRENAGEM	GEAR	ENGRANAJE	PIGNON
3	0500012	1	CHAVETA	KEY	CHAVETA	CLAVETTE
4	2182122	1	PARAFUSO	BOLT	TORNILLO	VIS
5	33153128	1	PLACA	PLATE	PLACA	PLAQUE
6	33153121	1	ARRUELA DE ENCOSTO	THRUST WASHER	ARANDELA	RONDELLE
7	0610844	1	PINO GUIA	DOWEL	ESPIGA	PION
8	31733121	1	ARRUELA TRAVA	WASHER	ARANDELA	RONDELLE
9	33115408	1	CALÇO	SHIM	SUPLEMENTO	CALE

ENGRENAGENS INTERMEDIÁRIAS DA DISTRIBUIÇÃO
IDLER GEARS
ENGRANAJES INTERMÉDIOS DE LA DISTRIBUCIÓN
PIGNONS INTERMÉDIARES DE LA DISTRIBUTION

GRUPO
GROUP
GRUPO
GROUPE

22/08



ENGRENAGENS INTERMEDIÁRIAS DA DISTRIBUIÇÃO
IDLER GEARS
ENGRANAJES INTERMÉDIOS DE LA DISTRIBUCIÓN
PIGNONS INTERMÉDIARES DE LA DISTRIBUTION

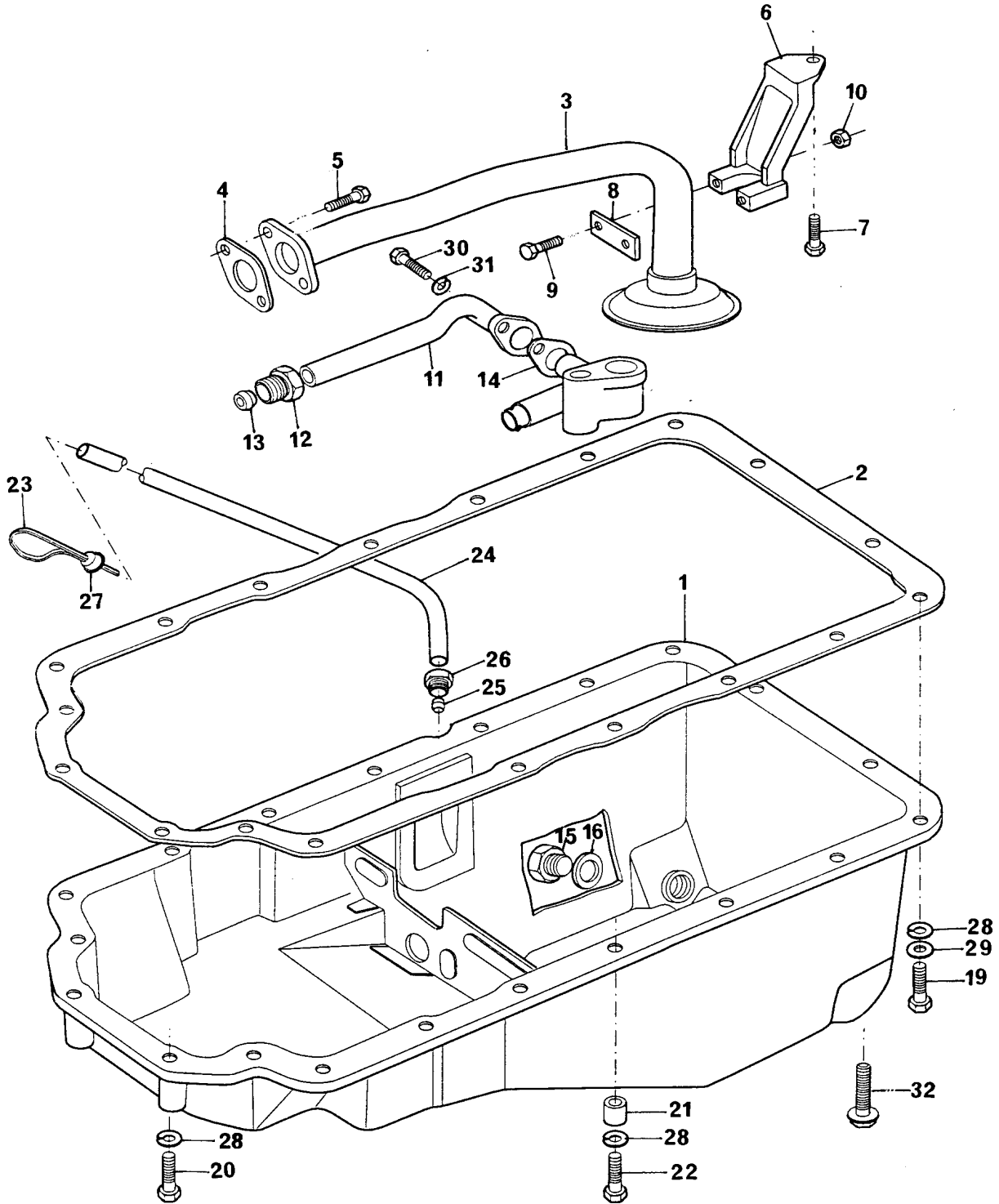
GRUPO
GROUP 22/08
GRUPO
GROUPE

1	70998172	1	CUBO	HUB	CUBO	MOYEU
2	41115018	1	ENGRENAGEM	GEAR	ENGRANAJE	PIGNON
3	0050345	2	BUCHA	BUSH	BUJE	BAGUE
4	70940151	1	PLACA	PLATE	PLACA	PLAQUE
5	0096439	3	PARAFUSO	BOLT	TORNILLO	VIS

CARTER DE ÓLEO LUBRIFICANTE
LUBRICATING OIL SUMP
CÂRTER DE ACEITE LUBRICANTE
CARTER À HUILE LUBRIFIANT

GRUPO
GROUP
GRUPO
GROUPE

31/109



CARTER DE ÓLEO LUBRIFICANTE
LUBRICATING OIL SUMP
CÁRTER DE ACEITE LUBRICANTE
CARTER À HUILE LUBRIFIANTE

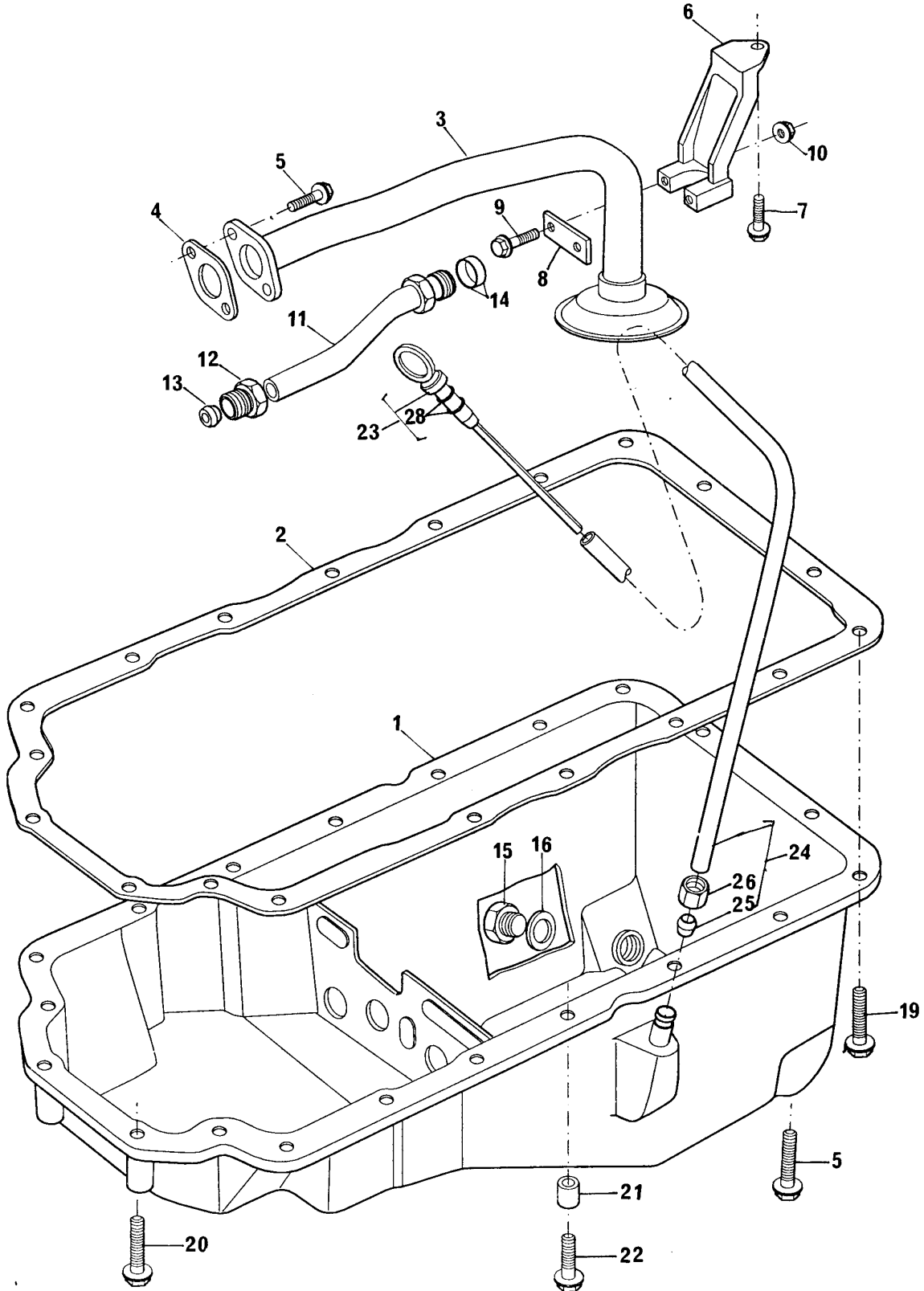
GRUPO
GROUP 31/109
GRUPO
GROUPE

1	70830099		1	CÁRTER	SUMP	CÁRTER	CARTER
2	70490178		1	JUNTA	JOINT	JUNTA	JOINT
3	70991765		1	TUBO SUCÇÃO	SUCTION PIPE	CANO DE SUCCIÓN	TUYAUTERIE
4	70490156		1	JUNTA	JOINT	JUNTA	JOINT
5	0746254		2	PARAFUSO	BOLT	TORNILLO	VIS
6	70100449		1	SUPORTE	BRACKET	SOPORTE	SUPPORT
7	0746255		1	PARAFUSO	BOLT	TORNILLO	VIS
8	36611419		1	PLACA	PLATE	PLACA	PLAQUE
9	70740103		2	PARAFUSO	BOLT	TORNILLO	VIS
10	70570072		2	PORCA	NUT	TUERCA	ÉCROU
11	70992327		1	TUBO	PIPE	CAÑO	TUYAUTERIE
12	33532121		1	PORCA	NUT	TUERCA	ÉCROU
13	0560244		1	OLIVA	OLIVE	OLIVA	OLIVE
14	0490355		1	JUNTA	JOINT	JUNTA	JOINT
15	70650008		1	BUJÃO DRENO	DRAIN PLUG	TAPÓN	BOUCHON
16	70920008		1	ARRUELA	WASHER	ARANDELA	RONDELLE
19	0746254		15	PARAFUSO	BOLT	TORNILLO	VIS
20	0096238		2	PARAFUSO	BOLT	TORNILLO	VIS
21	70330085		1	ESPAÇADOR	SPACER	ESPACIADOR	ENTRETOISE
22	0746257		1	PARAFUSO	BOLT	TORNILLO	VIS
23	70320057		1	VARETA MEDIDORA	DIPSTICK	VARILLA NÍVEL	JAUGE
24	70993139		1	TUBO	PIPE	CAÑO	TUYAUTERIE
25	0566005	24	1	OLIVA	OLIVE	OLIVA	OLIVE
26	0576114	24	1	PORCA	NUT	TUERCA	ÉCROU
27	0640126	23	2	ANEL	RING	ANILLO	ANNEAU
28	0920053		21	ARRUELA	WASHER	ARANDELA	RONDELLE
29	0920003		1	ARRUELA	WASHER	ARANDELA	RONDELLE
30	0746052		2	PARAFUSO	BOLT	TORNILLO	VIS
31	0920052		2	ARRUELA	WASHER	ARANDELA	RONDELLE
32	70740307		2	PARAFUSO	BOLT	TORNILLO	VIS

CARTER DE ÓLEO LUBRIFICANTE
LUBRICATING OIL SUMP
CÂRTER DE ACEITE LUBRIFICANTE
CARTER À HUILE LUBRIFIANTE

GRUPO
GROUP
GRUPO
GROUPE

31/162



CARTER DE ÓLEO LUBRIFICANTE
LUBRICATING OIL SUMP
CÁRTER DE ACEITE LUBRICANTE
CARTER À HUILE LUBRIFIANTE

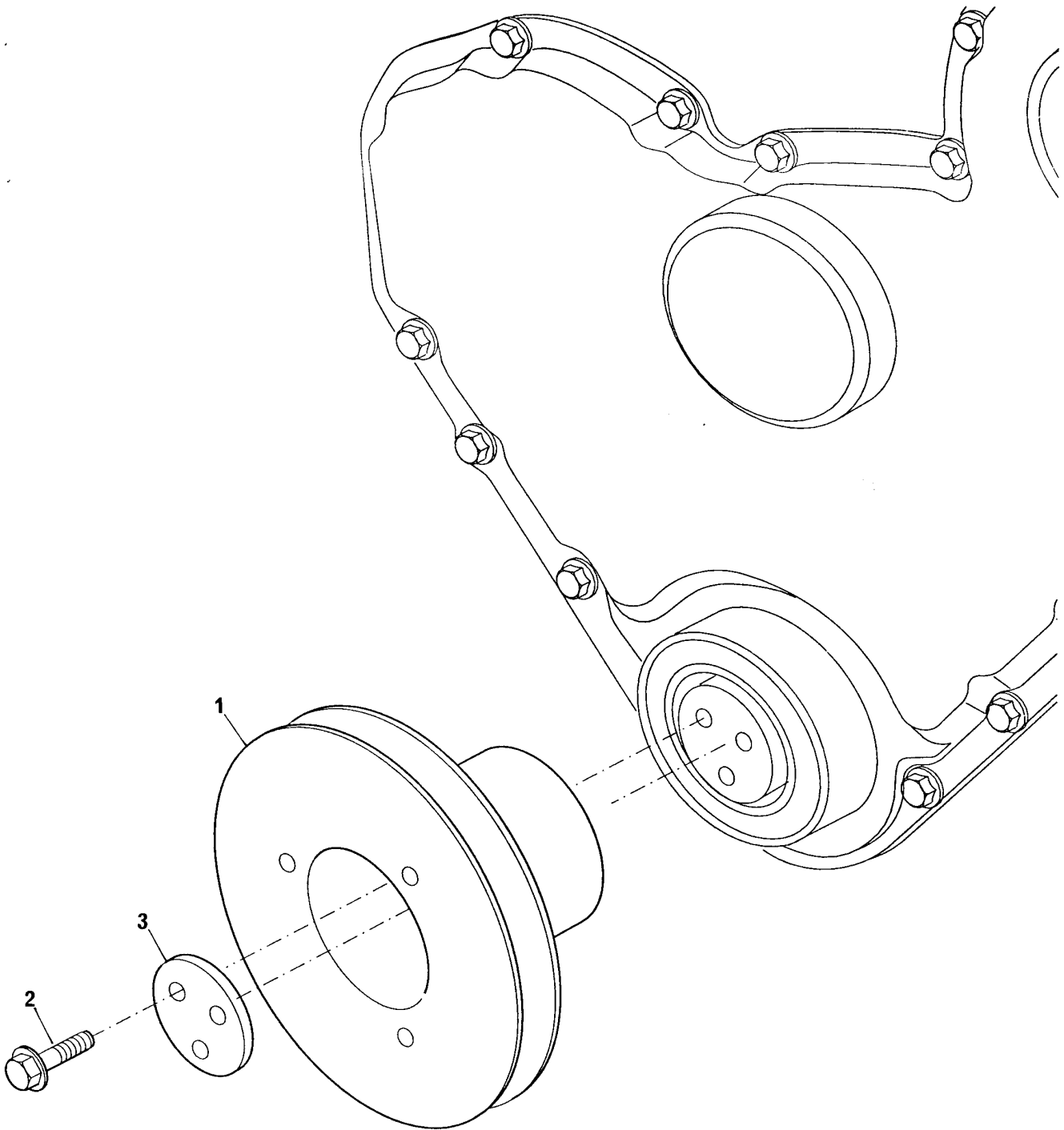
GRUPO
GROUP 31/162
GRUPO
GROUPE

1	70830143		1	CÁRTER	SUMP	CÁRTER	CARTER
2	70490178		1	JUNTA	JOINT	JUNTA	JOINT
3	70992503		1	TUBO SUCÇÃO	SUCTION PIPE	CANO DE SUCCIÓN	TUYAUTERIE
4	36832118		1	JUNTA	JOINT	JUNTA	JOINT
5	70740307		4	PARAFUSO	BOLT	TORNILLO	VIS
6	70100449		1	SUPORTE	BRACKET	SOPORTE	SUPPORT
7	70740130		1	PARAFUSO	BOLT	TORNILLO	VIS
8	36611419		1	PLACA	PLATE	PLACA	PLAQUE
9	70740103		2	PARAFUSO	BOLT	TORNILLO	VIS
10	70570072		2	PORCA	NUT	TUERCA	ÉCROU
11	70620760		1	TUBO	PIPE	CAÑO	TUYAUTERIE
12	33532121		1	PORCA	NUT	TUERCA	ÉCROU
13	0560244		1	OLIVA	OLIVE	OLIVA	OLIVE
14	70590007		2	ANEL "O"	"O" RING	ARO SELLO	JOINT TORIQUE
15	70650008		1	BUJÃO DRENO	DRAIN PLUG	TAPÓN	BOUCHON
16	70920109		1	ARRUELA	WASHER	ARANDELA	RONDELLE
19	70740130		15	PARAFUSO	BOLT	TORNILLO	VIS
20	70740333		2	PARAFUSO	BOLT	TORNILLO	VIS
21	70330085		1	ESPAÇADOR	SPACER	ESPACIADOR	ENTRETOISE
22	70740132		1	PARAFUSO	BOLT	TORNILLO	VIS
23	70320077		1	VARETA MEDIDORA	DIPSTICK	VARILLA NÍVEL	JAUGE
24	70992744		1	TUBO	PIPE	CAÑO	TUYAUTERIE
25	0566005	24	1	OLIVA	OLIVE	OLIVA	OLIVE
26	0576114	24	1	PORCA	NUT	TUERCA	ÉCROU
28	0640126	23	2	ANEL	RING	ANILLO	ANNEAU

POLIA DA ÁRVORE DE MANIVELAS
CRANKSHAFT PULLEY
POLEA DEL CIGUEÑAL
POULIE DU VILEBREQUIN

GRUPO
GROUP
GRUPO
GROUPE

32/101



POLIA DA ÁRVORE DE MANIVELAS
CRANKSHAFT PULLEY
POLEA DEL CIGUEÑAL
POULIE DU VILEBREQUIN

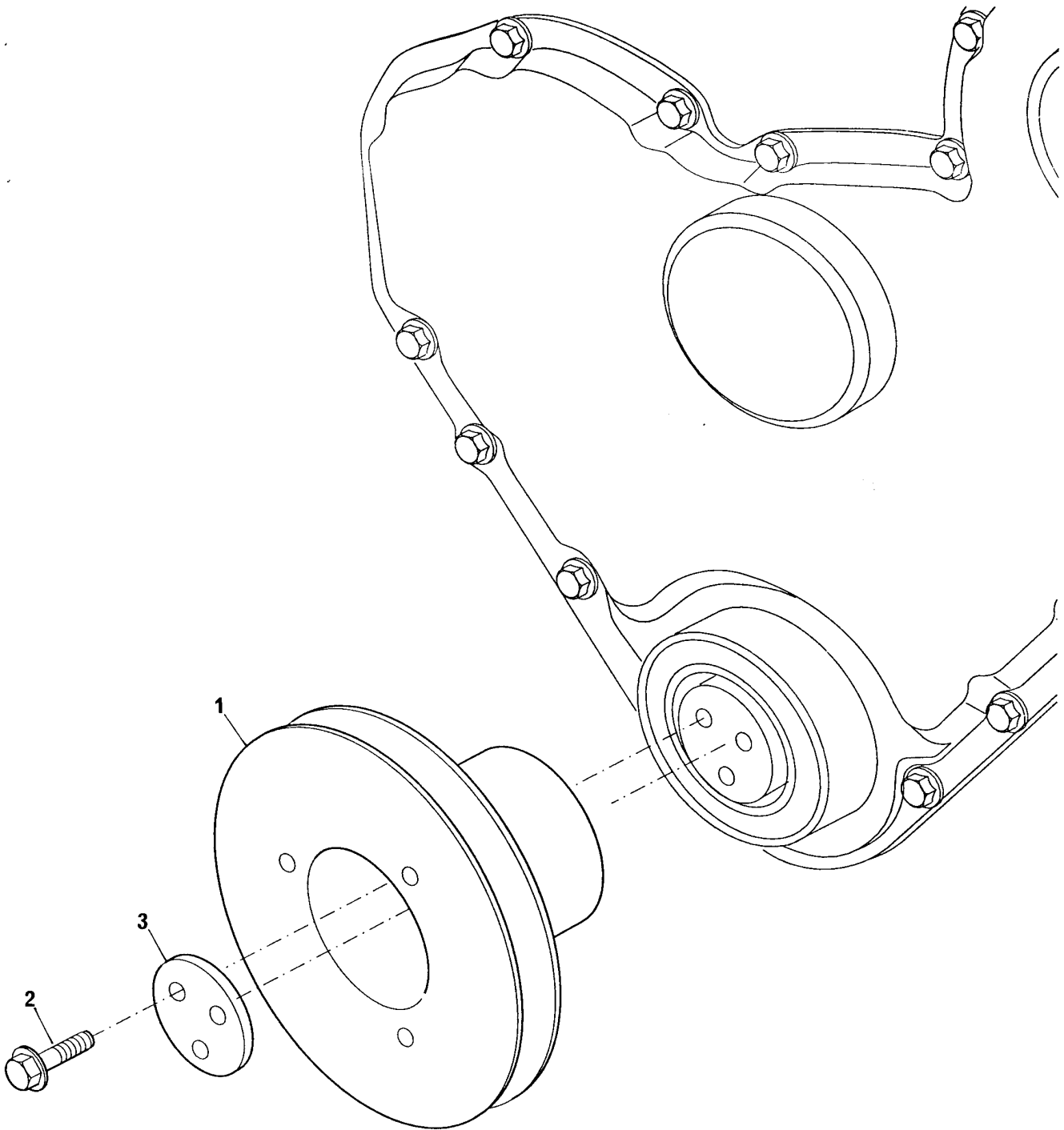
GRUPO
GROUP 32/101
GRUPO
GROUPE

1	70670168	1	POLIA	PULLEY	POLEA	POULIE
2	70740373	3	PARAFUSO	BOLT	TORNILLO	VIS
3	3242T001	1	PLACA	PLATE	PLACA	PLAQUE

POLIA DA ÁRVORE DE MANIVELAS
CRANKSHAFT PULLEY
POLEA DEL CIGUEÑAL
POULIE DU VILEBREQUIN

GRUPO
GROUP
GRUPO
GROUPE

32/105



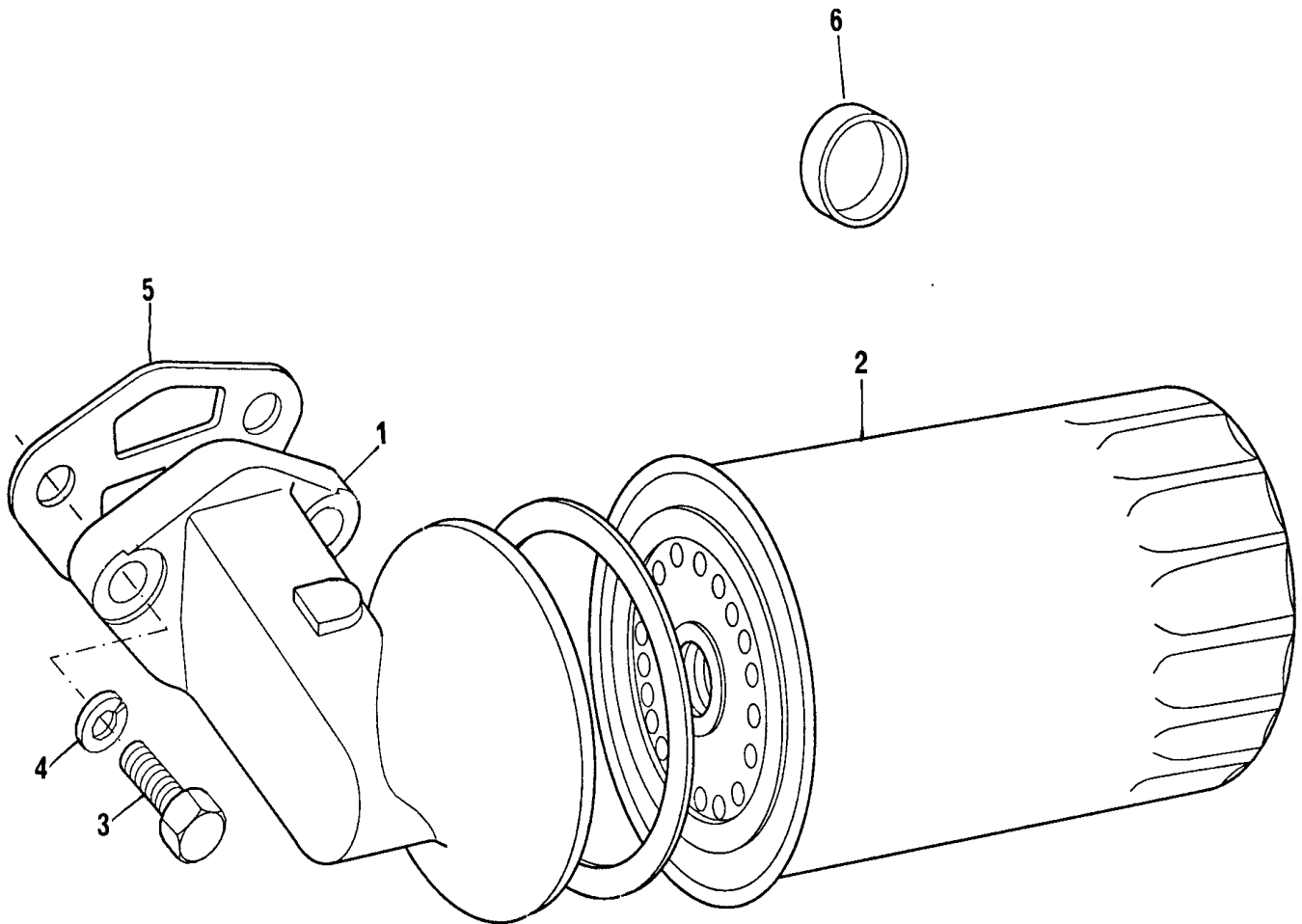
POLIA DA ÁRVORE DE MANIVELAS
CRANKSHAFT PULLEY
POLEA DEL CIGUEÑAL
POULIE DU VILEBREQUIN

GRUPO
GROUP **32/105**
GRUPO
GROUPE

1	70670141	1	POLIA	PULLEY	POLEA	POULIE
2	70740373	3	PARAFUSO	BOLT	TORNILLO	VIS
3	3242T001	1	PLACA	PLATE	PLACA	PLAQUE

FILTRO DE ÓLEO LUBRIFICANTE E RESFRIADOR DE ÓLEO
LUBRICATING OIL FILTER AND OIL COOLER
FILTRO DE ACEITE LUBRICANTE Y REFRIGERADOR DE ACEITE
FILTRE À HUILE LUBRIFIANTE ET REFROIDISSEUR D'HUILE

GRUPO
GROUP 33/34
GRUPO
GROUPE



FILTRO DE ÓLEO LUBRIFICANTE E RESFRIADOR DE ÓLEO
LUBRICATING OIL FILTER AND OIL COOLER
FILTRO DE ACEITE LUBRICANTE Y REFRIGERADOR DE ACEITE
FILTRE À HUILE LUBRIFIANTE ET REFROIDISSEUR D'HUILE

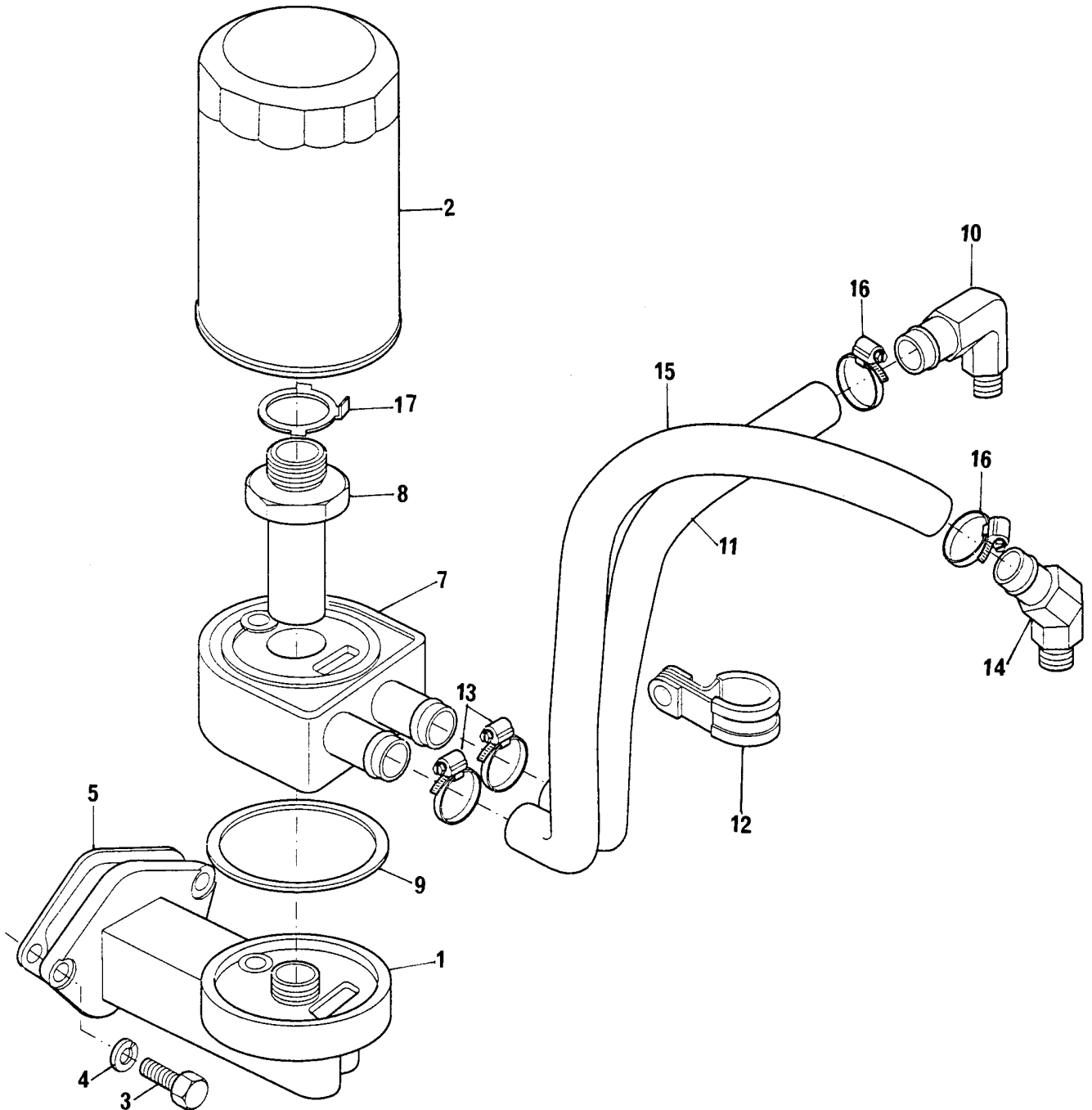
GRUPO
GROUP 33/34
GRUPO
GROUPE

1	70997145	1	CABEÇOTE FILTRO	FILTER HEAD	CABEZA FILTRO	TÊTE DE FILTRE
2	71054	1	ELEMENTO	ELEMENT	ELEMENTO	ELEMENT
3	0746610	2	PARAFUSO	BOLT	TORNILLO	VIS
4	0920055	2	ARRUELA	WASHER	ARANDELA	RONDELLE
5	36862517	1	JUNTA	JOINT	JUNTA	JOINT
6	70998037	1	BUJÃO	PLUG	TAPÓN	BOUCHON

FILTRO DE ÓLEO LUBRIFICANTE E RESFRIADOR DE ÓLEO
LUBRICATING OIL FILTER AND OIL COOLER
FILTRO DE ACEITE LUBRICANTE Y REFRIGERADOR DE ACEITE
FILTRE À HUILE LUBRIFIANTE ET REFROIDISSEUR D'HUILE

GRUPO
GROUP
GRUPO
GROUPE

33/97



FILTRO DE ÓLEO LUBRIFICANTE E RESFRIADOR DE ÓLEO
LUBRICATING OIL FILTER AND OIL COOLER
FILTRO DE ACEITE LUBRIFICANTE Y REFRIGERADOR DE ACEITE
FILTRE À HUILE LUBRIFIANTE ET REFRIGÉRISEUR D'HUILE

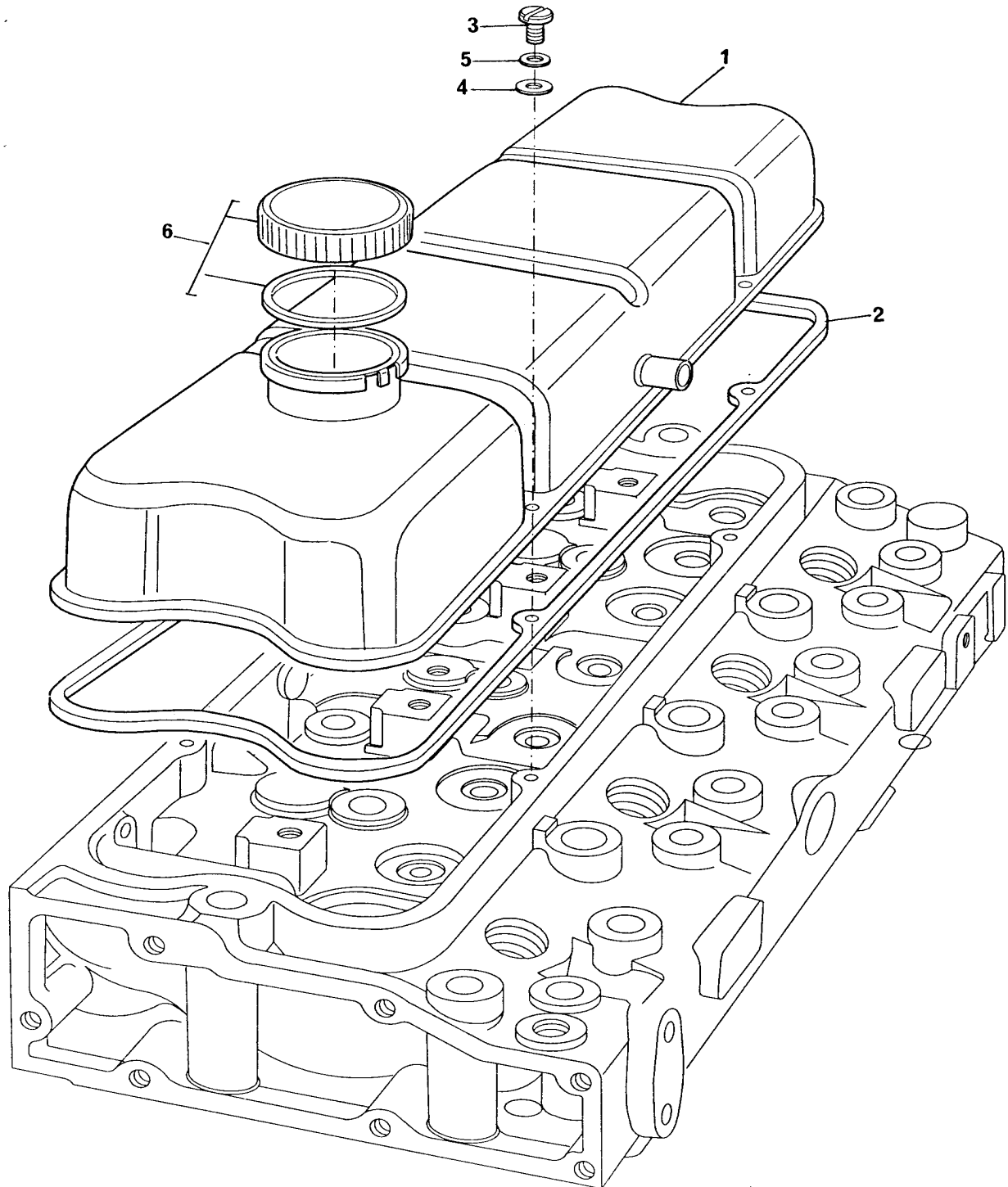
GRUPO
GROUP **33/97**
GRUPO
GROUPE

1	70997144		1 CABEÇOTE FILTRO	FILTER HEAD	CABEZA FILTRO	TÊTE DE FILTRE
2	71054		1 ELEMENTO	ELEMENT	ELEMENTO	ELEMENT
3	0746610		2 PARAFUSO	BOLT	TORNILLO	VIS
4	0920055		2 ARRUELA	WASHER	ARANDELA	RONDELLE
5	36862517		1 JUNTA	JOINT	JUNTA	JOINT
7	75053		1 RESFRIADOR	OIL COOLER	REFRIGERADOR	REFROIDISSEUR
8	70993311		1 CONEXÃO	CONNECTION	CONEXIÓN	RACCORD
9	70590010	7	1 ANEL DE VEDAÇÃO	SEALING RING	ANILLO SELLADO	BAGUE ÉTANCHÉITE
10	70200605		1 ADAPTADOR	ADAPTOR	ADAPTADOR	ADAPTATEUR
11	70200430		1 MANGUEIRA	HOSE	MANGUERA	DURITE
12	70180125		2 PRESILHA	CLIP	SUJETADOR	AGRAFE
13	70180154		2 BRAÇADEIRA	CLAMP	ABRAZADERA	COLLIER
14	70470054		1 ADAPTADOR	ADAPTOR	ADAPTADOR	ADAPTATEUR
15	70200416		1 MANGUEIRA	HOSE	MANGUERA	DURITE
16	70180154		2 BRAÇADEIRA	CLAMP	ABRAZADERA	COLLIER
17	70920172		1 ARRUELA	WASHER	ARANDELA	RONDELLE

TAMPA DO CABEÇOTE
CYLINDER HEAD COVER
TAPA DE VÁLVULAS
CACHE-CULBUTEURS

GRUPO
GROUP
GRUPO
GROUPE

34/46



TAMPA DO CABEÇOTE
CYLINDER HEAD COVER
TAPA DE VÁLVULAS
CACHE-CULBUTEURS

GRUPO
GROUP
GRUPO
GROUPE

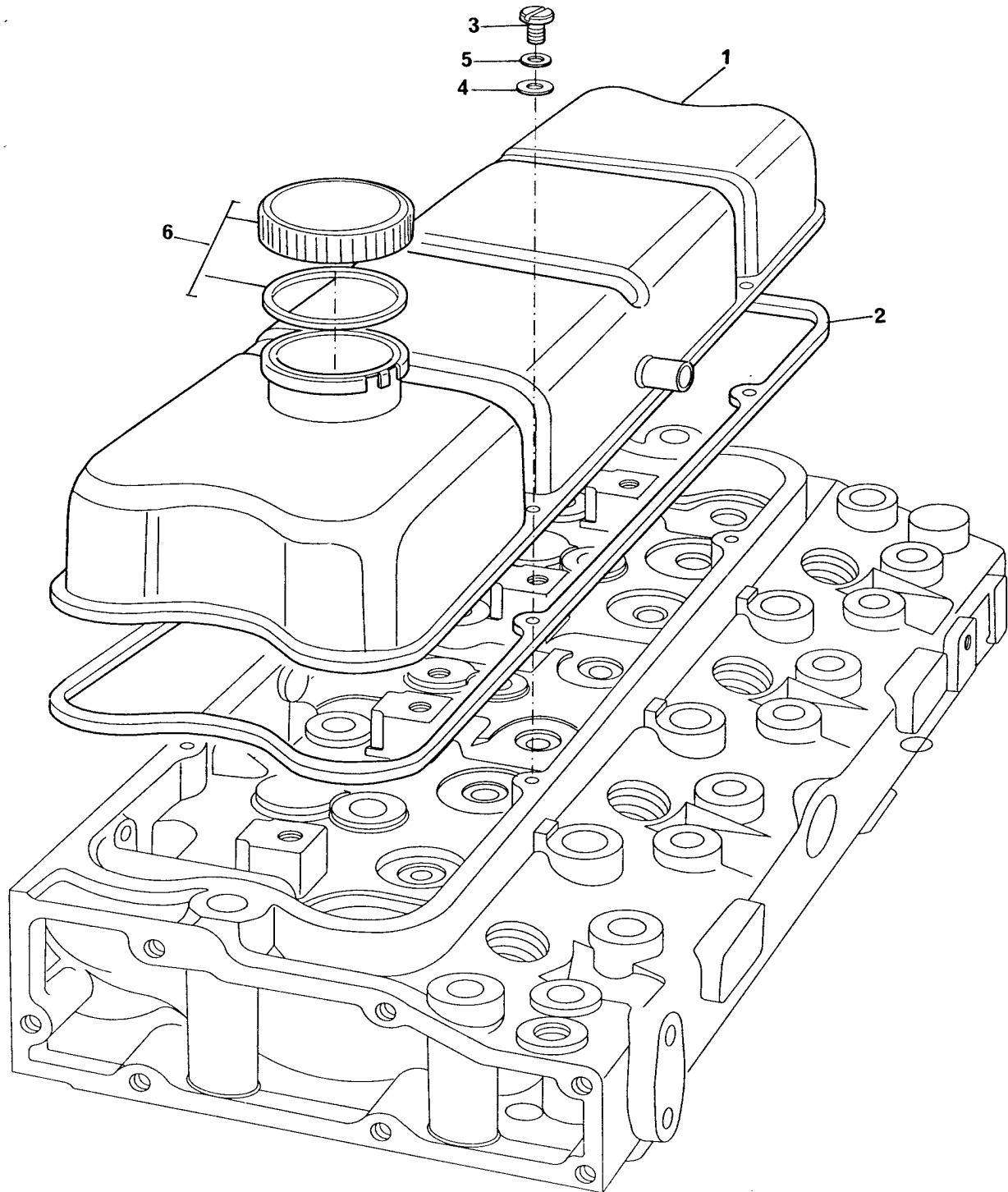
34/46

1	70991158	1	TAMPA	COVER	TAPA	CACHE-CULBUTEUR
2	70490266	1	JUNTA	JOINT	JUNTA	JOINT
3	2174018	4	PARAFUSO	BOLT	TORNILLO	VIS
4	0920002	4	ARRUELA	WASHER	ARANDELA	RONDELLE
5	0920052	4	ARRUELA	WASHER	ARANDELA	RONDELLE
6	70150038	1	TAMPA	COVER	TAPA	COUVERCLE

TAMPA DO CABEÇOTE
CYLINDER HEAD COVER
TAPA DE VÁLVULAS
CACHE-CULBUTEURS

GRUPO
GROUP
GRUPO
GROUPE

34/126



TAMPA DO CABEÇOTE
CYLINDER HEAD COVER
TAPA DE VÁLVULAS
CACHE-CULBUTEURS

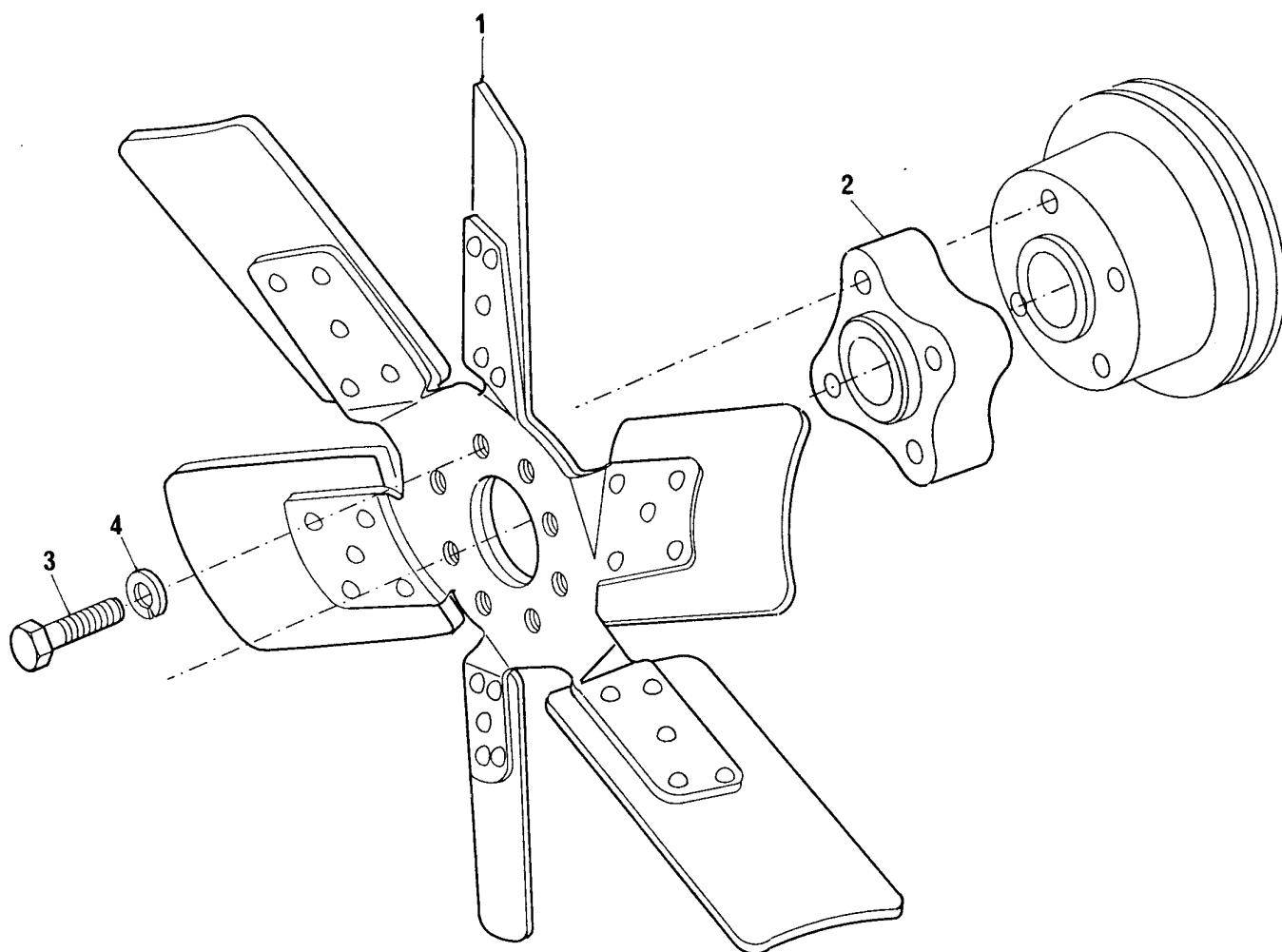
GRUPO
GROUP 34/126
GRUPO
GROUPE

1	70991159	1	TAMPA	COVER	TAPA	CACHE-CULBUTEUR
2	3681A027	1	JUNTA	JOINT	JUNTA	JOINT
3	2172513	4	PARAFUSO	BOLT	TORNILLO	VIS
4	0920002	4	ARRUELA	WASHER	ARANDELA	RONDELLE
5	0920052	4	ARRUELA	WASHER	ARANDELA	RONDELLE
6	70150038	1	TAMPA	COVER	TAPA	COUVERCLE

VENTILADOR E EXTENSÃO
FAN AND EXTENSION
VENTILADOR Y EXTENSIÓN
VENTILATEUR ET RALLONGE

GRUPO
GROUP
GRUPO
GROUPE

35/89



VENTILADOR E EXTENSÃO
FAN AND EXTENSION
VENTILADOR Y EXTENSIÓN
VENTILATEUR ET RALLONGE

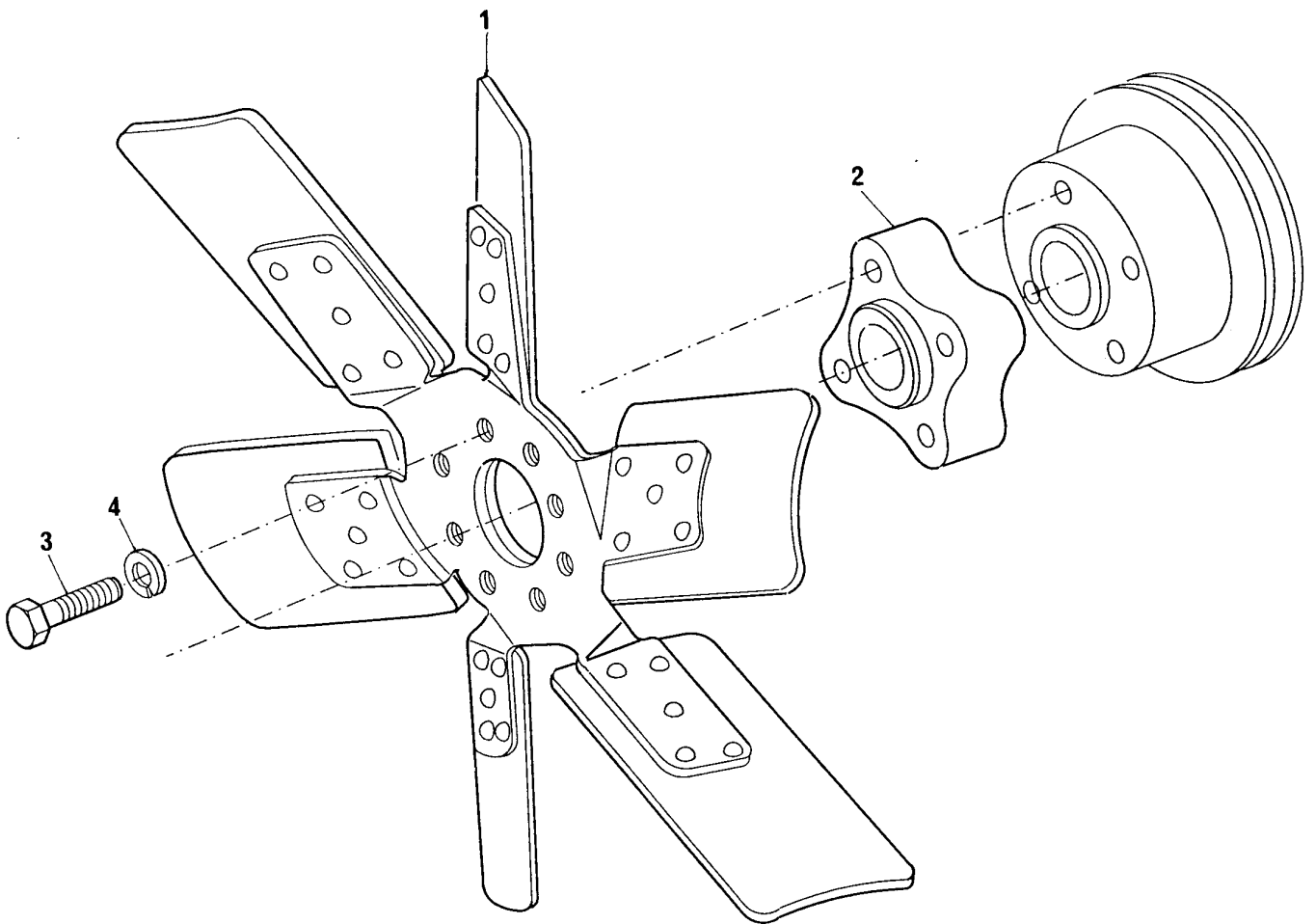
GRUPO
GROUP 35/89
GRUPO
GROUPE

1	70360026	6	PÁS	1	VENTILADOR 17 "	FAN 17"	VENTILADOR 17"	VENTILATEUR 17"
2	70330075			1	EXTENSÃO	EXTENSION	EXTENSIÓN	RALLONGE
3	0096236			4	PARAFUSO	BOLT	TORNILLO	VIS
4	0920053			4	ARRUELA	WASHER	ARANDELA	RONDELLE

VENTILADOR E EXTENSÃO
FAN AND EXTENSION
VENTILADOR Y EXTENSIÓN
VENTILATEUR ET RALLONGE

GRUPO
GROUP
GRUPO
GROUPE

35/90



VENTILADOR E EXTENSÃO
FAN AND EXTENSION
VENTILADOR Y EXTENSIÓN
VENTILATEUR ET RALLONGE

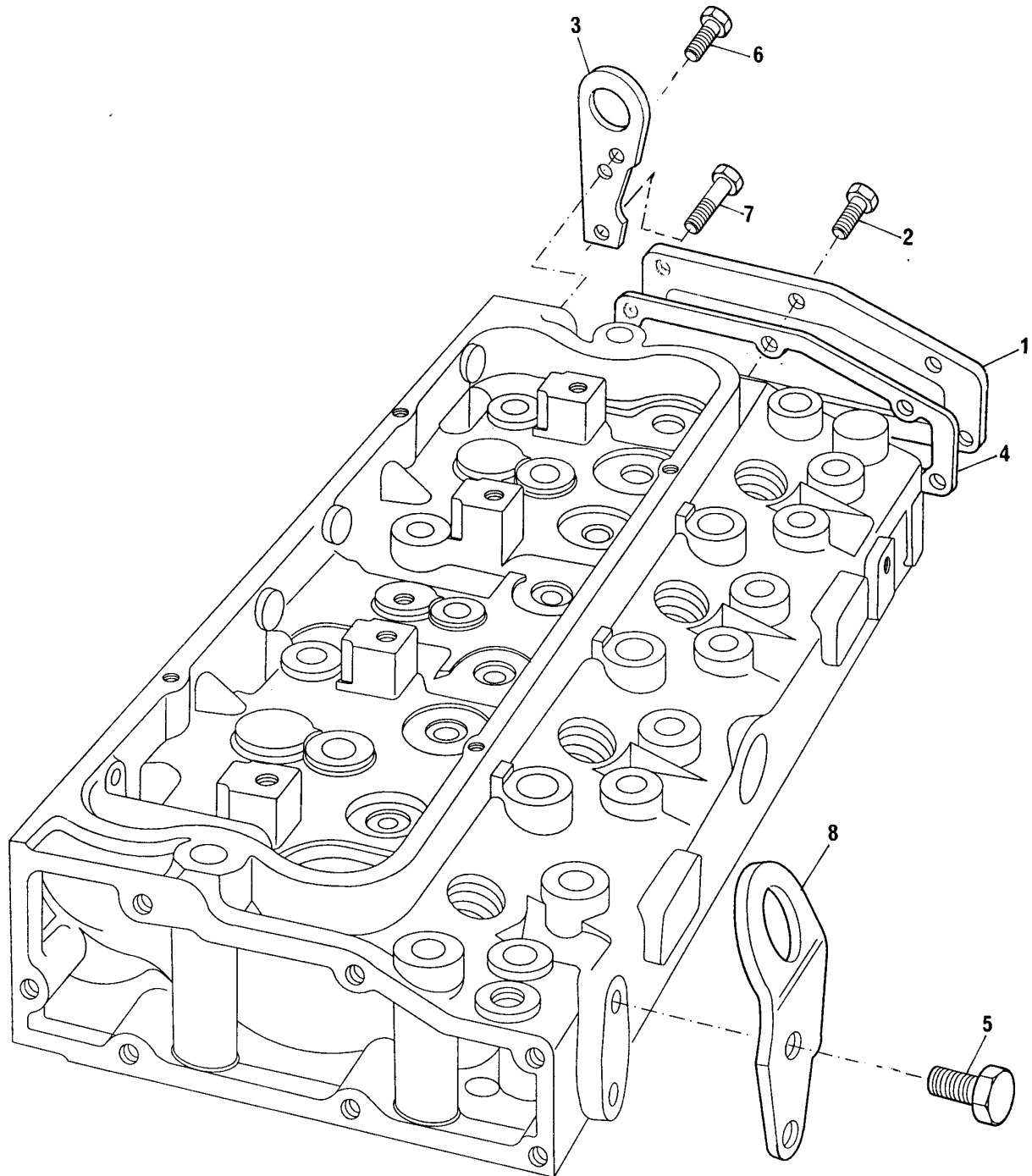
GRUPO
GROUP 35/90
GRUPO
GROUPE

1	70360029	6	PÁS	1	VENTILADOR 20 "	FAN 20"	VENTILADOR 20"	VENTILATEUR 20"
2	70330093			1	EXTENSÃO	EXTENSION	EXTENSIÓN	RALLONGE
3	0096238			4	PARAFUSO	BOLT	TORNILLO	VIS
4	0920053			4	ARRUELA	WASHER	ARANDELA	RONDELLE

TAMPA TRASEIRA DO CABEÇOTE
CYLINDER HEAD REAR COVER
TAPA TRASERA DE LA CULATA
CACHE-CULBUTEURS ARRIERE

GRUPO
GROUP
GRUPO
GROUPE

36/29



TAMPA TRASEIRA DO CABEÇOTE
CYLINDER HEAD REAR COVER
TAPA TRASERA DE LA CULATA
CACHE-CULBUTEURS ARRIERE

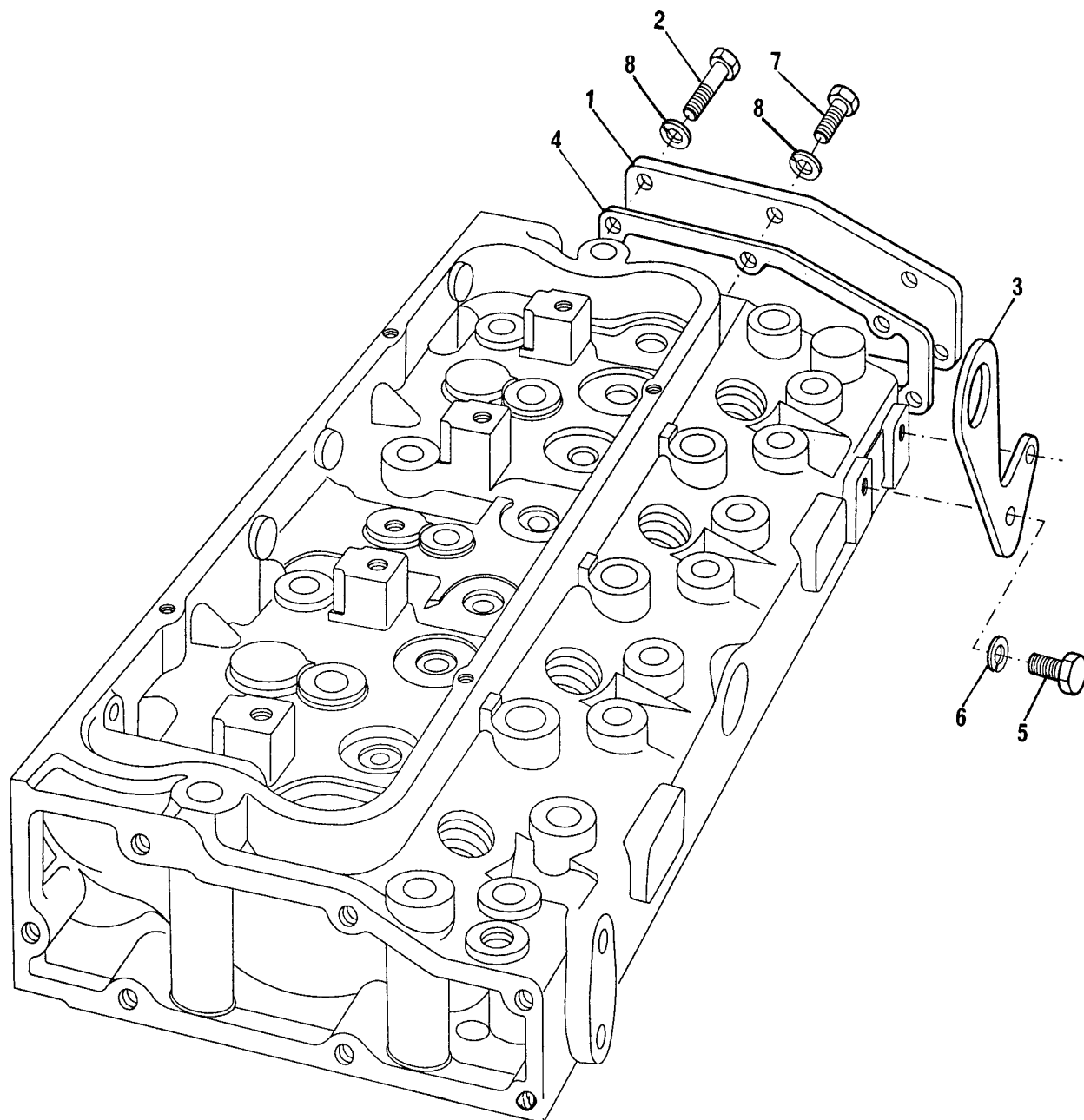
GRUPO
GROUP 36/29
GRUPO
GROUPE

1	36212152	1	TAMPA TRASEIRA	REAR COVER	TAPA TRASERA	COUVERCLE
2	70740130	6	PARAFUSO	BOLT	TORNILLO	VIS
3	36177111	1	ALÇA TRASEIRA	PLATE	PLACA	PLAQUE
4	36851409	1	JUNTA	JOINT	JUNTA	JOINT
5	70740188	2	PARAFUSO	BOLT	TORNILLO	VIS
6	70740176	1	PARAFUSO	BOLT	TORNILLO	VIS
7	70740178	1	PARAFUSO	BOLT	TORNILLO	VIS
8	70940157	1	ALÇA DIANTEIRA	LIFTING PLATE	PLACA	PLAQUE

TAMPA TRASEIRA DO CABEÇOTE
CYLINDER HEAD REAR COVER
TAPA TRASERA DE LA CULATA
CACHE-CULBUTEURS ARRIERE

GRUPO
GROUP
GRUPO
GROUPE

36/67



TAMPA TRASEIRA DO CABEÇOTE
CYLINDER HEAD REAR COVER
TAPA TRASERA DE LA CULATA
CACHE-CULBUTEURS ARRIERE

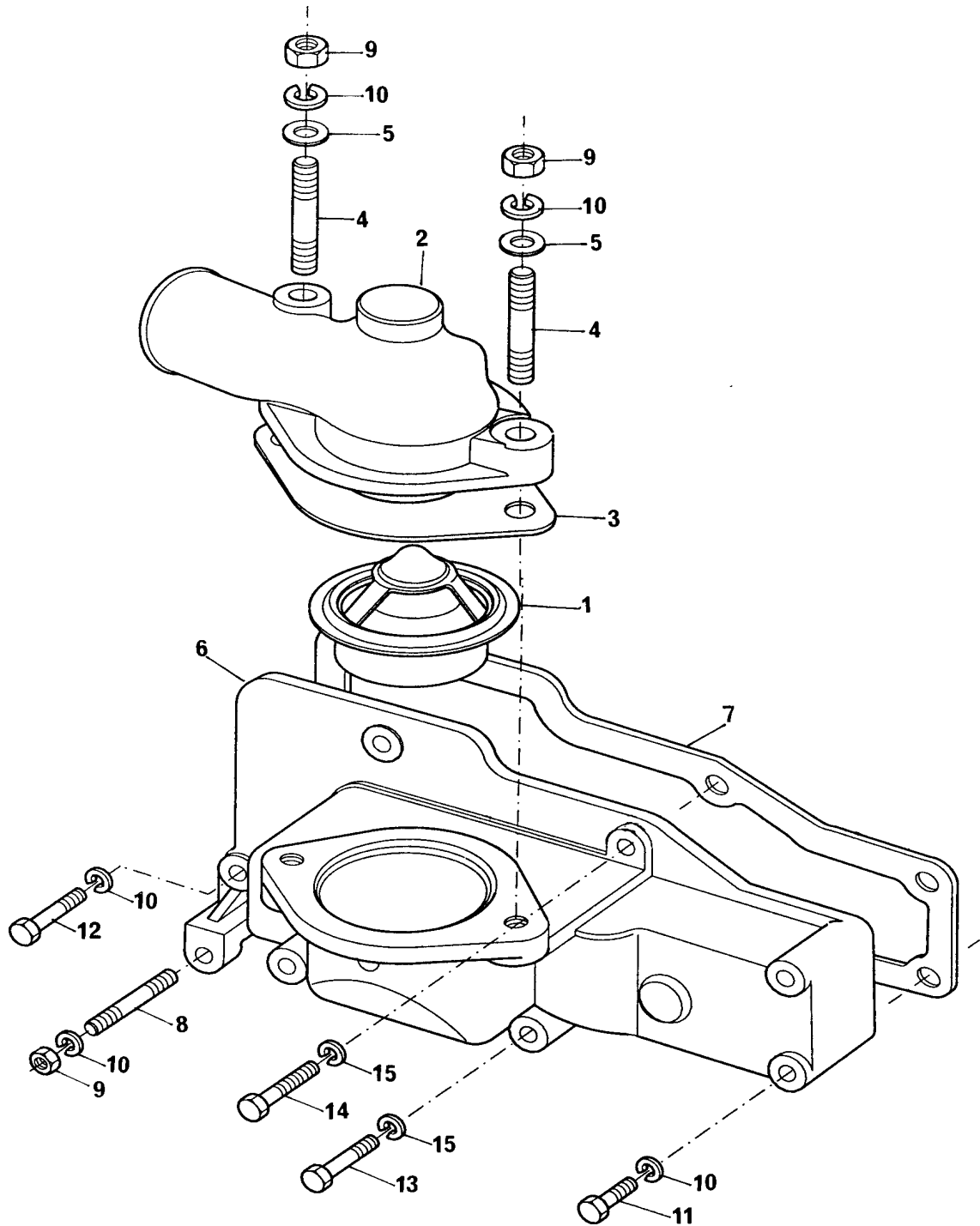
GRUPO
GROUP 36/67
GRUPO
GROUPE

1	36212152	1	TAMPA TRASEIRA	REAR COVER	TAPA TRASERA	COUVERCLE
2	0096201	4	PARAFUSO	BOLT	TORNILLO	VIS
3	70940138	1	ALÇA	PLATE	PLACA	PLAQUE
4	36851409	1	JUNTA	JOINT	JUNTA	JOINT
5	0746453	2	PARAFUSO	BOLT	TORNILLO	VIS
6	0920054	2	ARRUELA	WASHER	ARANDELA	RONDELLE
7	0096231	2	PARAFUSO	BOLT	TORNILLO	VIS
8	0920053	6	ARRUELA	WASHER	ARANDELA	RONDELLE

TERMOSTATO E CARÇA
THERMOSTAT AND HOUSING
TERMOSTATO Y CÂRTER
THERMOSTAT ET CARTER

GRUPO
GROUP
GRUPO
GROUPE

37/94



TERMOSTATO E CARÇAÇA
THERMOSTAT AND HOUSING
TERMOSTATO Y CÂRTER
THERMOSTAT ET CARTER

GRUPO
GROUP
GRUPO
GROUPE

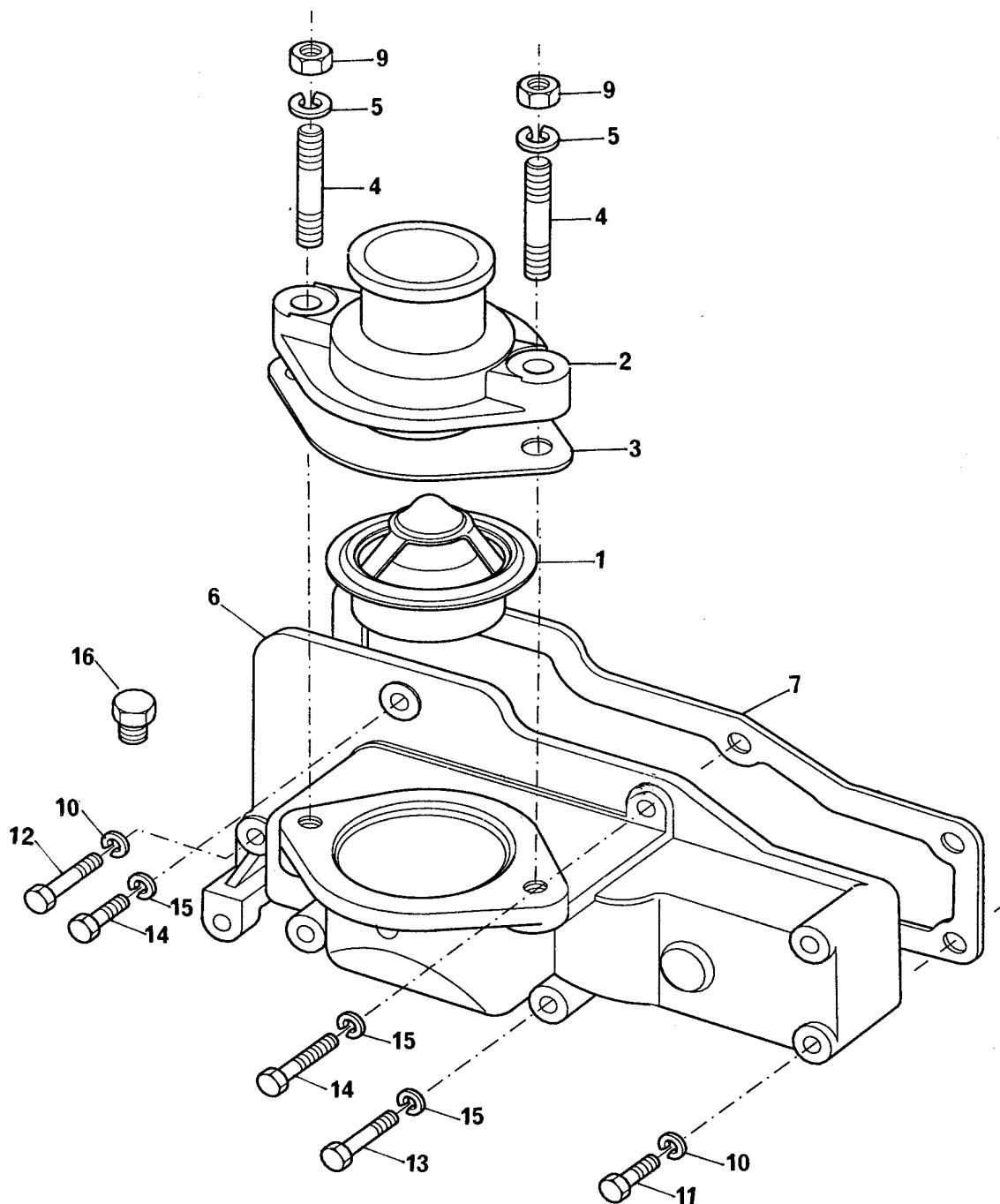
37/94

1	70998116	1	TERMOSTATO	THERMOSTAT	TERMOSTATO	THERMOSTAT
2	70200214	1	CONEXÃO	CONNECTION	CONEXIÓN	RACCORD
3	36834147	1	JUNTA	JOINT	JUNTA	JOINT
4	70820052	2	PRISIONEIRO	STUD	ESPARRAGO	GOUJON
5	0920005	2	ARRUELA	WASHER	ARANDELA	RONDELLE
6	70440125	1	CARÇAÇA	HOUSING	CARTER	CARTER
7	36853514	1	JUNTA	JOINT	JUNTA	JOINT
8	0826452	1	PRISIONEIRO	STUD	ESPARRAGO	GOUJON
9	0576051	3	PORCA	NUT	TUERCA	ÉCROU
10	0920054	6	ARRUELA	WASHER	ARANDELA	RONDELLE
11	0096438	2	PARAFUSO	BOLT	TORNILLO	VIS
12	0096241	2	PARAFUSO	BOLT	TORNILLO	VIS
13	0096201	1	PARAFUSO	BOLT	TORNILLO	VIS
14	0746424	1	PARAFUSO	BOLT	TORNILLO	VIS
15	0920053	3	ARRUELA	WASHER	ARANDELA	RONDELLE

TERMOSTATO E CARÇA
THERMOSTAT AND HOUSING
TERMOSTATO Y CÂRTER
THERMOSTAT ET CARTER

GRUPO
GROUP
GRUPO
GROUPE

37/153



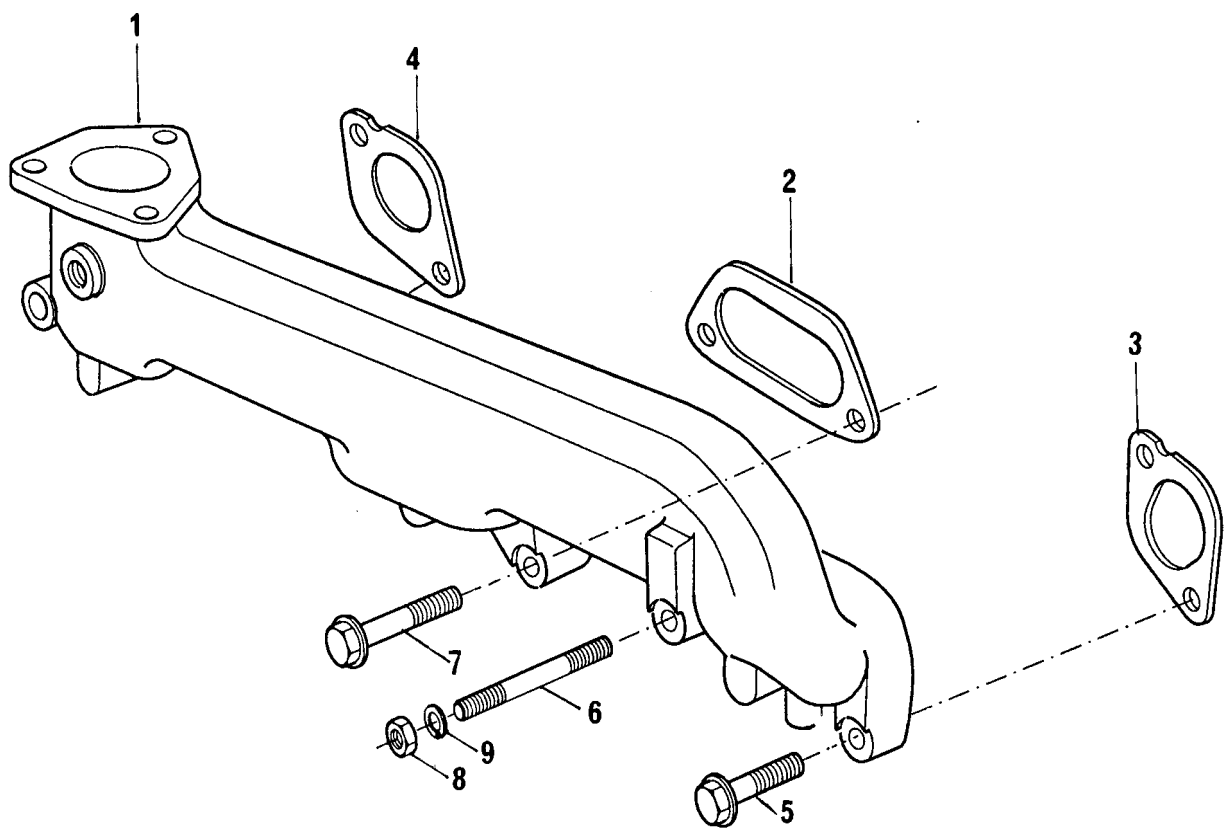
TERMOSTATO E CARÇA
THERMOSTAT AND HOUSING
TERMOSTATO Y CÂRTER
THERMOSTAT ET CARTER

GRUPO
GROUP 37/153
GRUPO
GROUPE

1	70998116	1	TERMOSTATO	THERMOSTAT	TERMOSTATO	THERMOSTAT
2	70200214	1	CONEXÃO	CONNECTION	CONEXIÓN	RACCORD
3	36834147	1	JUNTA	JOINT	JUNTA	JOINT
4	70820052	2	PRISIONEIRO	STUD	ESPARRAGO	GOUJON
5	0920054	4	ARRUELA	WASHER	ARANDELA	RONDELLE
6	70440189	1	CARÇA	HOUSING	CARTER	CARTER
7	36853514	1	JUNTA	JOINT	JUNTA	JOINT
9	0576051	2	PORCA	NUT	TUERCA	ÉCROU
10	0920054	3	ARRUELA	WASHER	ARANDELA	RONDELLE
11	0096438	2	PARAFUSO	BOLT	TORNILLO	VIS
12	0096241	2	PARAFUSO	BOLT	TORNILLO	VIS
13	0096201	2	PARAFUSO	BOLT	TORNILLO	VIS
14	0096433	2	PARAFUSO	BOLT	TORNILLO	VIS
15	0920053	3	ARRUELA	WASHER	ARANDELA	RONDELLE
16	70650119	1	BUJÃO	PLUG	TAPÓN	BOUCHON

COLETOR DE ADMISSÃO
INDUCTION MANIFOLD
MÚLTIPLE DE ADMISIÓN
COLLECTEUR D'ADMISSION

GRUPO
GROUP 38/45
GRUPO
GROUPE



**COLETOR DE ADMISSÃO
INDUCTION MANIFOLD
MÚLTIPLE DE ADMISIÓN
COLLECTEUR D'ADMISSION**

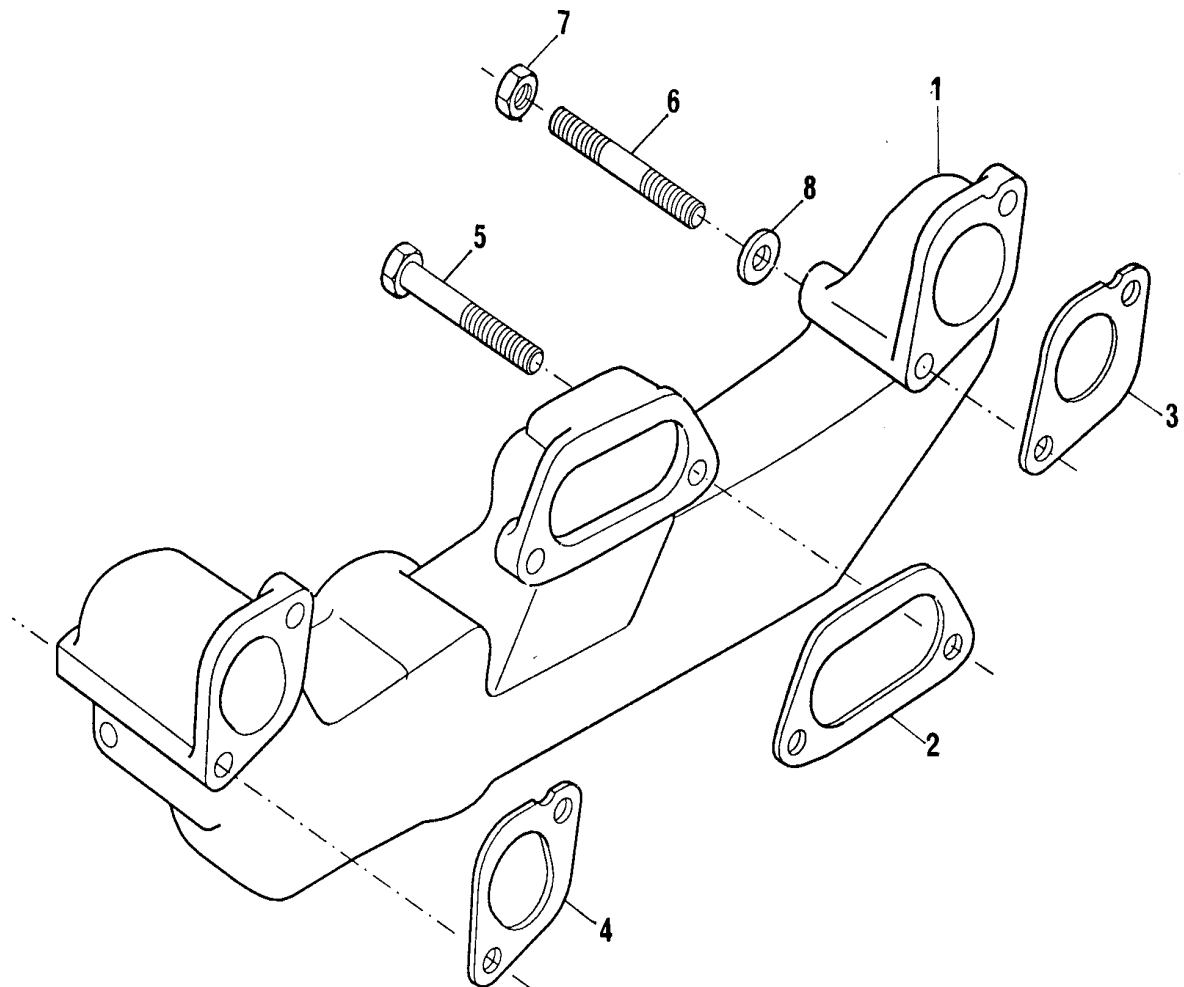
**GRUPO
GROUP
GRUPO
GROUPE** **38/45**

1	37787491	1	COLETOR	MANIFOLD	MÚLTIPLE	COLLECTEUR
2	3688C002	1	JUNTA	JOINT	JUNTA	JOINT
3	3688C003	1	JUNTA	JOINT	JUNTA	JOINT
4	3688C001	1	JUNTA	JOINT	JUNTA	JOINT
5	70740177	2	PARAFUSO	BOLT	TORNILLO	VIS
6	0826451	2	PRISIONEIRO	STUD	ESPÁRRAGO	GOUJON
7	70740181	2	PARAFUSO	BOLT	TORNILLO	VIS
8	0576051	2	PORCA	NUT	TUERCA	ÉCROU
9	0920054	2	ARRUELA	WASHER	ARANDELA	RONDELLE

COLETOR DE ADMISSÃO
INDUCTION MANIFOLD
MÚLTIPLE DE ADMISIÓN
COLLECTEUR D'ADMISSION

GRUPO
GROUP
GRUPO
GROUPE

38/93



**COLETOR DE ADMISSÃO
INDUCTION MANIFOLD
MÚLTIPLE DE ADMISIÓN
COLLECTEUR D'ADMISSION**

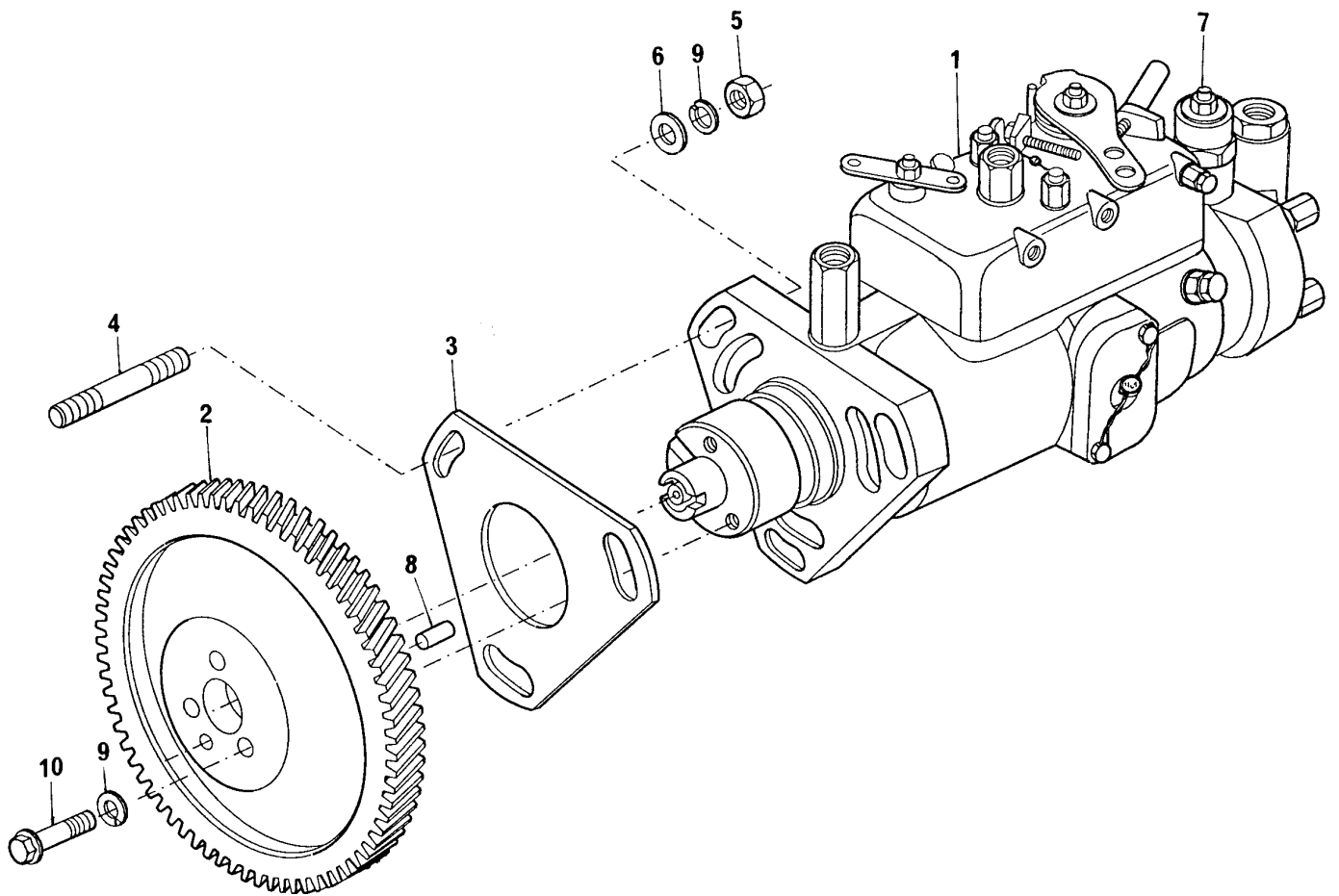
**GRUPO
GROUP 38/93
GRUPO
GROUPE**

1	70540141	1	COLETOR	MANIFOLD	MÚLTIPLE	COLLECTEUR
2	3688C002	1	JUNTA	JOINT	JUNTA	JOINT
3	3688C003	1	JUNTA	JOINT	JUNTA	JOINT
4	3688C001	1	JUNTA	JOINT	JUNTA	JOINT
5	70740177	4	PARAFUSO	BOLT	TORNILLO	VIS
6	70820078	2	PRISIONEIRO	STUD	ESPÁRRAGO	GOUJON
7	0576051	2	PORCA	NUT	TUERCA	ÉCROU
8	0920004	2	ARRUELA	WASHER	ARANDELA	RONDELLE

BOMBA INJETORA DE COMBUSTÍVEL
FUEL INJECTION PUMP
BOMBA DE INYECCIÓN DE COMBUSTIBLE
POMPE D'INJECTION DE COMBUSTIBLE

GRUPO
GROUP
GRUPO
GROUPE

39/161



BOMBA INJETORA DE COMBUSTÍVEL
FUEL INJECTION PUMP
BOMBA DE INYECCIÓN DE COMBUSTIBLE
POMPE D'INJECTION DE COMBUSTIBLE

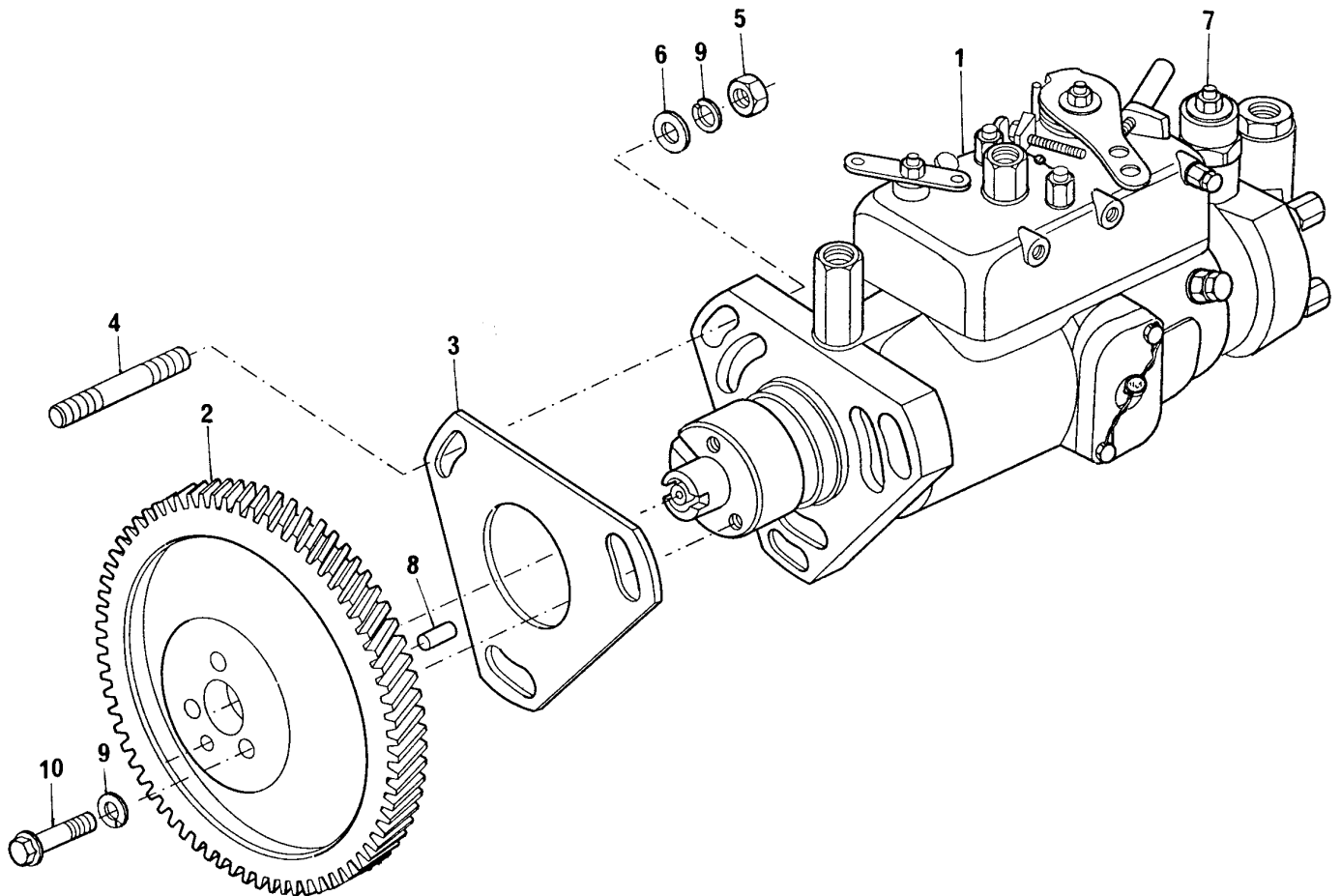
GRUPO
GROUP 39/161
GRUPO
GROUPE

1	77329	1	BOMBA	PUMP	BOMBA	POMPE
2	41115126	1	ENGRENAGEM	GEAR	ENGRANAJE	PIGNON
3	70490280	1	JUNTA	JOINT	JUNTA	JOINT
4	2215574	3	PRISIONEIRO	STUD	ESPÁRRAGO	GOUJON
5	70570073	3	PORCA	NUT	TUERCA	ÉCROU
6	33114412	3	ARRUELA	WASHER	ARANDELA	RONDELLE
7	74083	1	SOLENÓIDE	SOLENOID	SOLENOIDE	SOLENOIDE
8	0350010	2	PINO LOCALIZADOR	DOWEL	ESPIGA	PION
9	0920053	6	ARRUELA	WASHER	ARANDELA	RONDELLE
10	0746254	3	PARAFUSO	BOLT	TORNILLO	VIS

BOMBA INJETORA DE COMBUSTÍVEL
FUEL INJECTION PUMP
BOMBA DE INYECCIÓN DE COMBUSTIBLE
POMPE D'INJECTION DE COMBUSTIBLE

GRUPO
GROUP
GRUPO
GROUPE

39/208



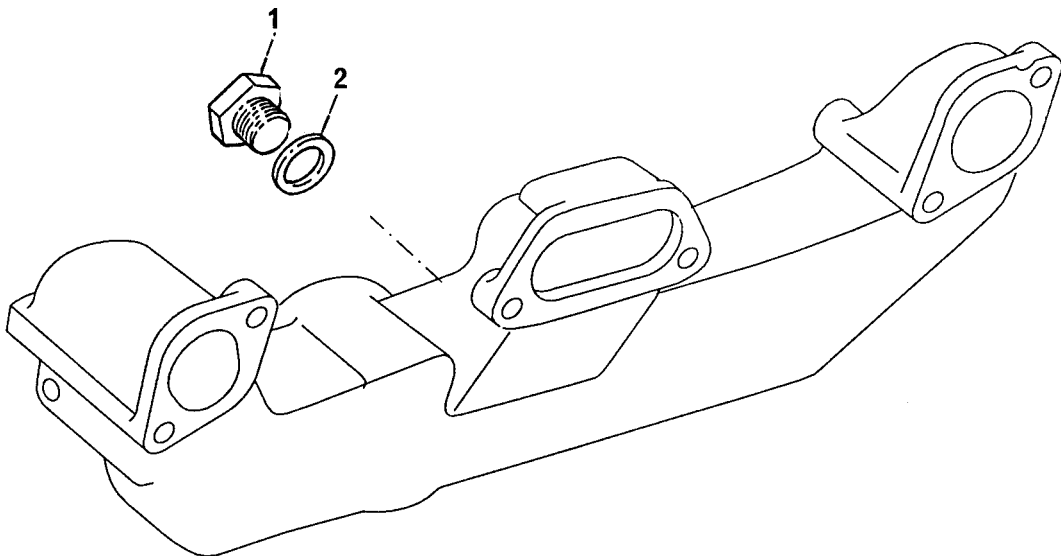
BOMBA INJETORA DE COMBUSTÍVEL
FUEL INJECTION PUMP
BOMBA DE INYECCIÓN DE COMBUSTIBLE
POMPE D'INJECTION DE COMBUSTIBLE

GRUPO
GROUP 39/208
GRUPO
GROUPE

1	77403	1	BOMBA	PUMP	BOMBA	POMPE
2	41115126	1	ENGRENAGEM	GEAR	ENGRANAJE	PIGNON
3	70490280	1	JUNTA	JOINT	JUNTA	JOINT
4	0827616	3	PRISIONEIRO	STUD	ESPÁRRAGO	GOUJON
5	70570073	3	PORCA	NUT	TUERCA	ÉCROU
6	33114412	3	ARRUELA	WASHER	ARANDELA	RONDELLE
7	74083	1	SOLENOÍDE	SOLENOID	SOLENOIDE	SOLENOIDE
8	0350010	2	PINO LOCALIZADOR	DOWEL	ESPIGA	PION
9	0920053	6	ARRUELA	WASHER	ARANDELA	RONDELLE
10	0746254	3	PARAFUSO	BOLT	TORNILLO	VIS

SISTEMA AUXILIAR DE PARTIDA A FRIO
COLD WHEATHER STARTING AID
SISTEMA AUXILIAR DE TERMOARRANQUE
SYSTEME DE DEMARRAGE POR TEMPS FROID

GRUPO
GROUP 40/01
GRUPO
GROUPE



SISTEMA AUXILIAR DE PARTIDA A FRIO
COLD WEATHER STARTING AID
SISTEMA AUXILIAR DE TERMOARRANQUE
SYSTEME DE DEMARRAGE POR TEMPS FROID

GRUPO
GROUP
GRUPO
GROUPE

40/01

1 80650722

1 BUJÃO

PLUG

TAPON

BOUCHON

2 70920065

1 ARRUELA

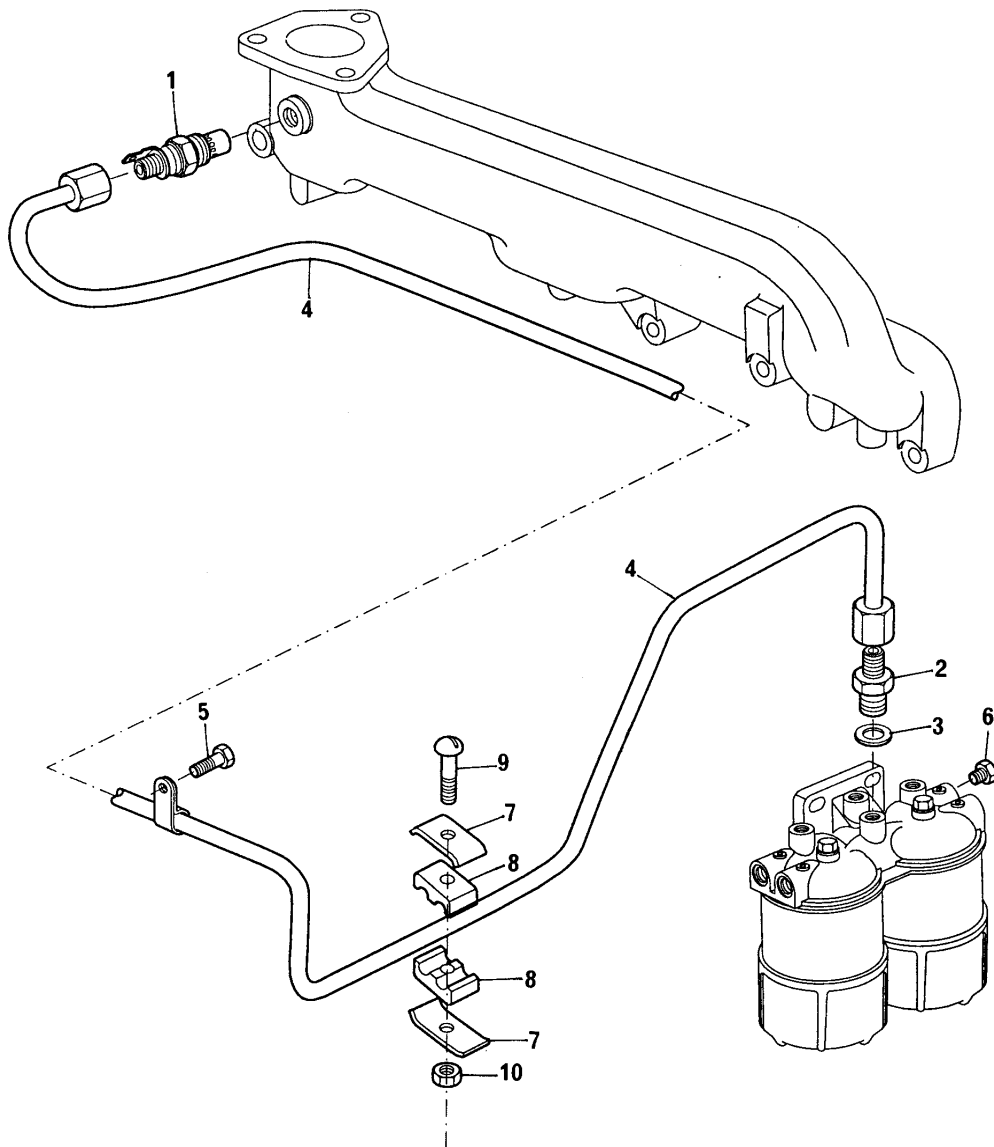
WASHER

ARANDELA

RONDELLE

SISTEMA AUXILIAR DE PARTIDA A FRIO
COLD WHEATHER STARTING AID
SISTEMA AUXILIAR DE TERMOARRANQUE
SYSTEME DE DEMARRAGE POR TEMPS FROID

GRUPO
GROUP 40/64
GRUPO
GROUPE



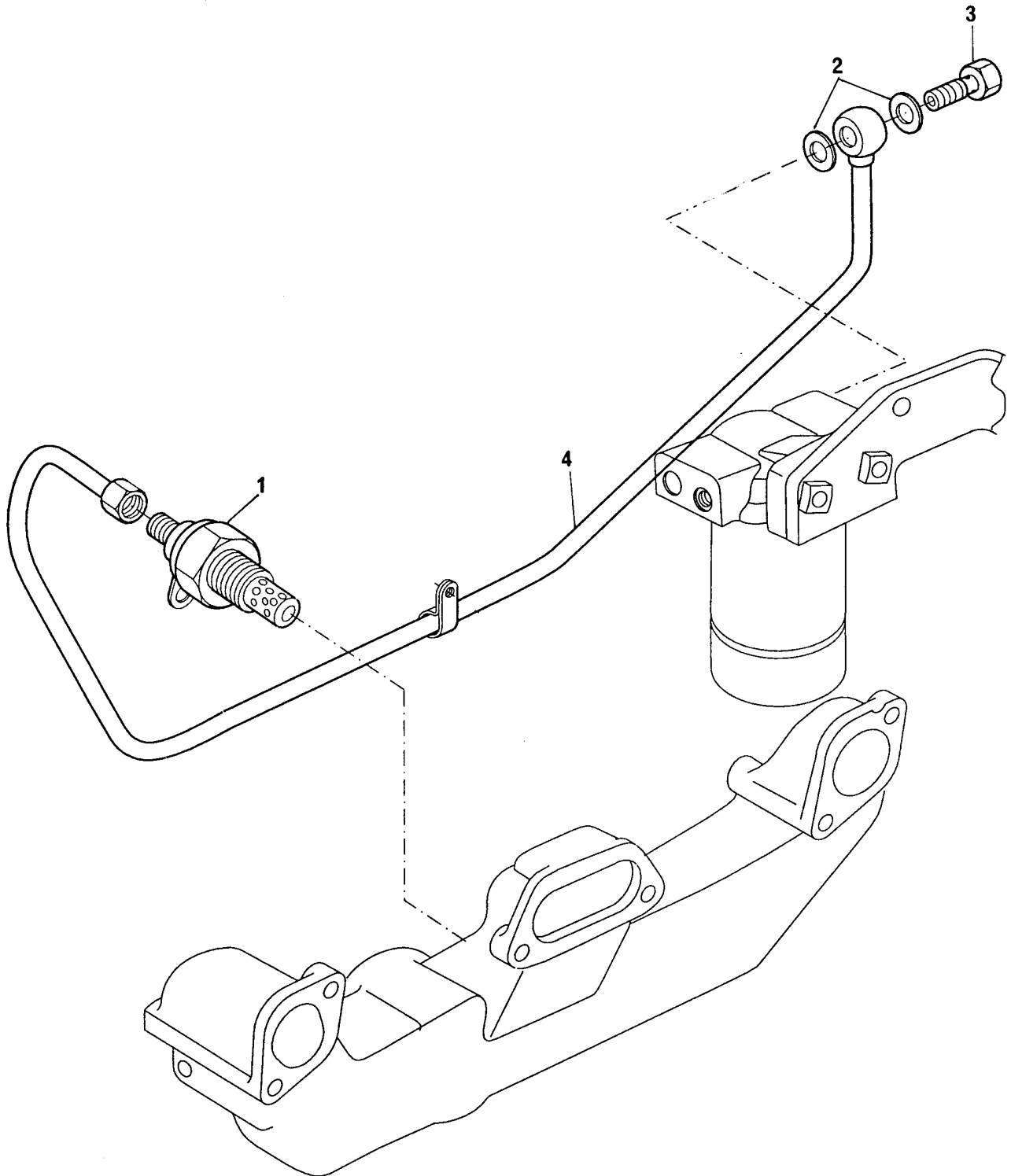
SISTEMA AUXILIAR DE PARTIDA A FRIO
COLD WHEATHER STARTING AID
SISTEMA AUXILIAR DE TERMOARRANQUE
SYSTEME DE DEMARRAGE POR TEMPS FROID

GRUPO
GROUP **40/64**
GRUPO
GROUPE

1	70998052	1	ELEMENTO AQUECEDOR	HEATER	CALENTADOR	CHAUFFAGE
2	41374013	1	VÁLVULA	VALVE	VALVULA	VALVE
3	70920120	1	ARRUELA	WASHER	ARANDELA	RONDELLE
4	70991614	1	TUBO	PIPE	CAÑO	TUYAUTERIE
5	0746452	1	PARAFUSO	BOLT	TORNILLO	VIS
6	70650115	2	BUJÃO	PLUG	TAPON	BOUCHON
7	36516119	2	PRESILHA	CLIP	SUJETADOR	AGRAFE
8	70600007	2	ALMOFADA	DAMPER	AMORTIGUADOR	AMORTISSEUR
9	0726260	1	PARAFUSO	BOLT	TORNILLO	VIS
10	70576100	1	PORCA	NUT	TUERCA	ÉCROU

SISTEMA AUXILIAR DE PARTIDA A FRIO
COLD WEATHER STARTING AID
SISTEMA AUXILIAR DE TERMOARRANQUE
SYSTEME DE DEMARRAGE POR TEMPS FROID

GRUPO
GROUP 40/131
GRUPO
GROUPE



SISTEMA AUXILIAR DE PARTIDA A FRIO
COLD WHEATHER STARTING AID
SISTEMA AUXILIAR DE TERMOARRANQUE
SYSTEME DE DEMARRAGE POR TEMPS FROID

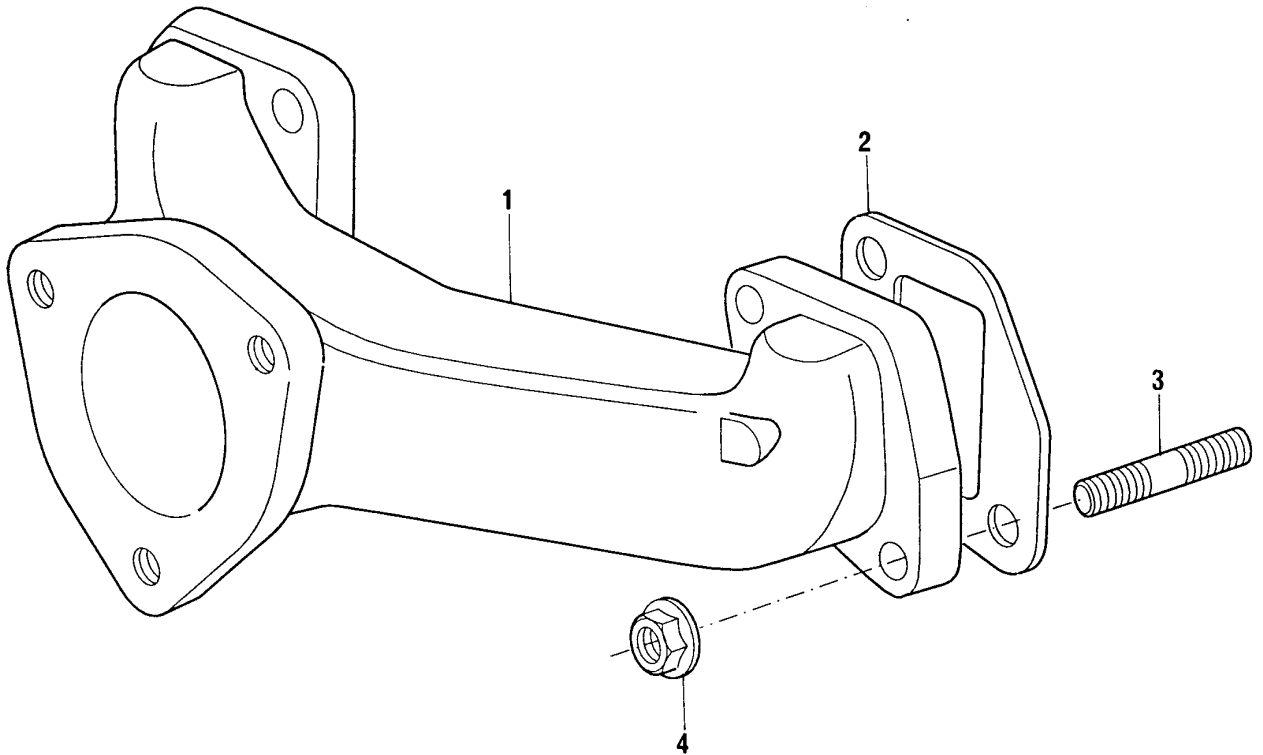
GRUPO
GROUP 40/131
GRUPO
GROUPE

1	70998052	1	ELEMENTO AQUECEDOR	HEATER	CALENTADOR	CHAUFFAGE
2	70920115	3	ARRUELA	WASHER	ARANDELA	RONDELLE
3	70740343	1	PARAFUSO	BOLT	TORNILLO	VIS
4	70992388	1	TUBO	PIPE	CAÑO	TUYAUTERIE

COLETOR DE ESCAPE
EXHAUST MANIFOLD
MÚLTIPLE DE ESCAPE
COLLECTEUR D'ÉCHAPPEMENT

GRUPO
GROUP
GRUPO
GROUPE

41/23



**COLETOR DE ESCAPE
EXHAUST MANIFOLD
MÚLTIPLE DE ESCAPE
COLLECTEUR D'ÉCHAPPEMENT**

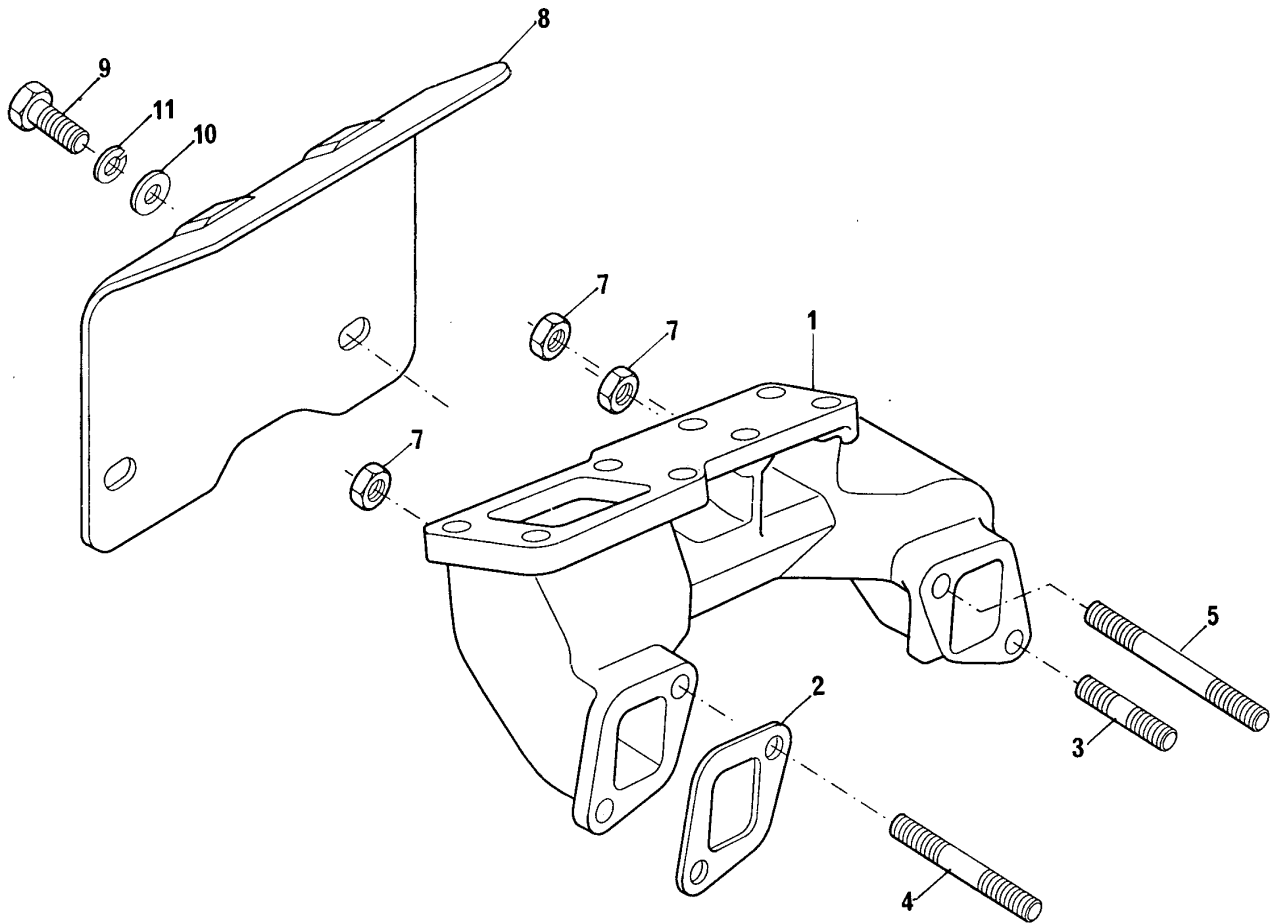
**GRUPO
GROUP
GRUPO
GROUPE** **41/23**

1	37781321	1	COLETOR ESCAPE	MANIFOLD	MÚLTIPLE	COLLECTEUR
2	36862134	2	JUNTA	JOINT	JUNTA	JOINT
3	0826408	4	PRISIONEIRO	STUD	ESPÁRRAGO	GOUJON
4	70570082	4	PORCA	NUT	TUERCA	ÉCROU

COLETOR DE ESCAPE
EXHAUST MANIFOLD
MÚLTIPLE DE ESCAPE
COLLECTEUR D'ÉCHAPPEMENT

GRUPO
GROUP
GRUPO
GROUPE

41/41



**COLETOR DE ESCAPE
EXHAUST MANIFOLD
MÚLTIPLE DE ESCAPE
COLLECTEUR D'ÉCHAPPEMENT**

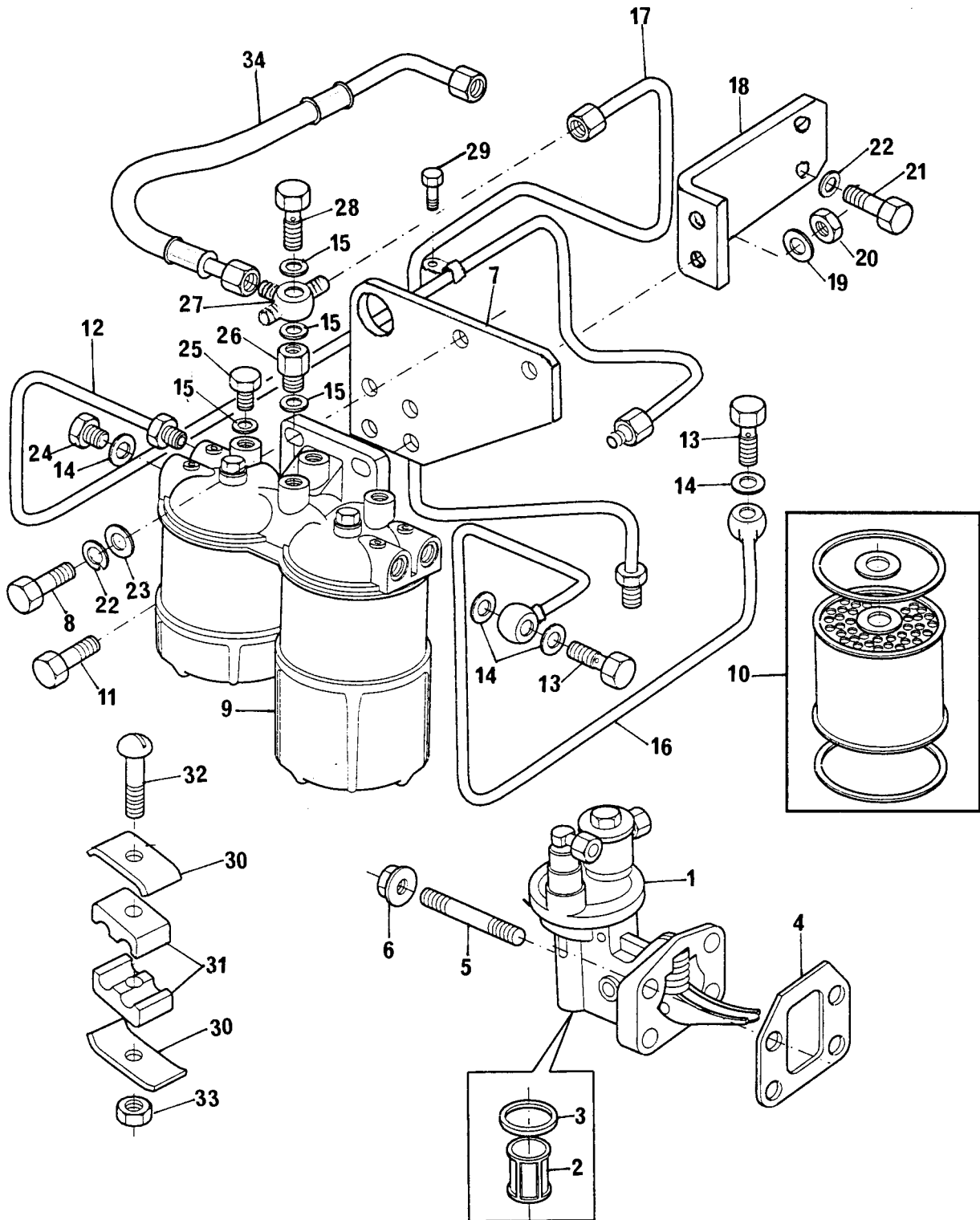
**GRUPO
GROUP 41/41
GRUPO
GRUPE**

1	70540103	1	COLETOR ESCAPE	MANIFOLD	MÚLTIPLE	COLLECTEUR
2	3688C007	2	JUNTA	JOINT	JUNTA	JOINT
3	0826408	2	PRISIONEIRO	STUD	ESPÁRRAGO	GOUJON
4	70820078	1	PRISIONEIRO	STUD	ESPÁRRAGO	GOUJON
5	70820092	1	PRISIONEIRO	STUD	ESPÁRRAGO	GOUJON
7	70570082	4	PORCA	NUT	TUERCA	ÉCROU
8	70950018	1	DEFLETOR	DEFLECTOR	DEFLECTOR	DÉFLECTEUR
9	0746254	2	PARAFUSO	BOLT	TORNILLO	VIS
10	0920003	2	ARRUELA	WASHER	ARANDELA	RONDELLE
11	0920053	2	ARRUELA	WASHER	ARANDELA	RONDELLE

SISTEMA DE COMBUSTÍVEL
FUELSYSTEM
SISTEMA DE COMBUSTIBLE
SYSTEME DE COMBUSTIBLE

GRUPO
GROUP
GRUPO
GROUPE

42/173



SISTEMA DE COMBUSTÍVEL
 FUELSYSTEM
 SISTEMA DE COMBUSTIBLE
 SYSTEME DE COMBUSTIBLE

GRUPO
 GROUP
 GRUPO
 GROUPE

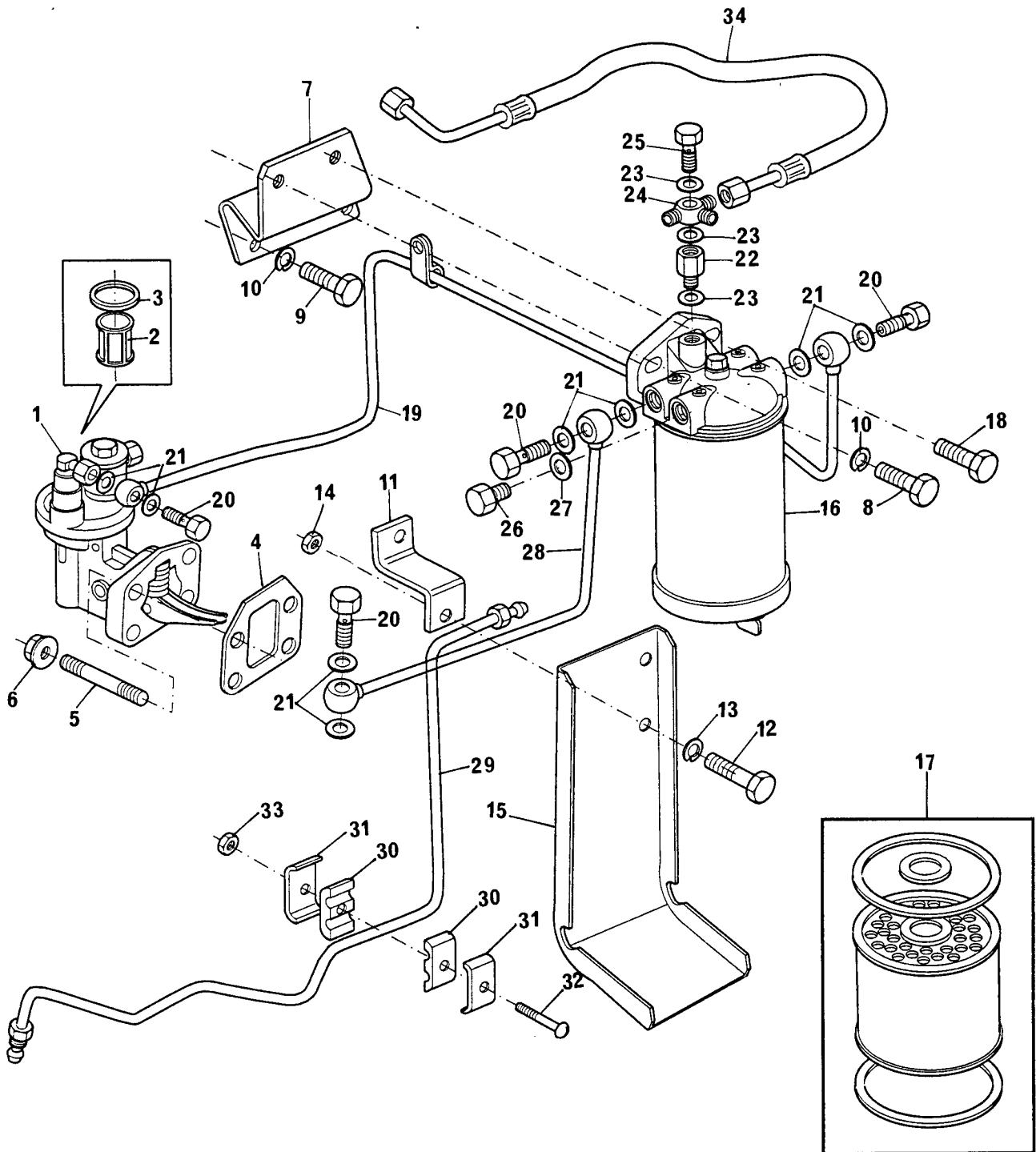
42/173

1	72088		1 BOMBA ALIMENTADORA	LIFT PUMP	BOMBA	POMPE
2	70800016	1	1 PENEIRA	SCREEN	TAMIZ	TAMIS
3	70490182	1	1 JUNTA	JOINT	JUNTA	JOINT
4	70490287		1 JUNTA	JOINT	JUNTA	JUNTA
5	70820084		4 PRISIONEIRO	STUD	ESPÁRRAGO	GOUJON
6	70570073		4 PORCA	NUT	TUERCA	ÉCROU
7	70100480		1 SUPORTE	BRACKET	SOPORTE	SUPPORT
8	0096433		2 PARAFUSO	BOLT	TORNILLO	VIS
9	72012		1 FILTRO	FILTER	FILTRO	FILTRE
10	635776	9	2 ELEMENTO	ELEMENT	ELEMENTO	ÉLÉMENT
11	0096201		2 PARAFUSO	BOLT	TORNILLO	VIS
12	70991803		1 TUBO	PIPE	CAÑO	TUYAUTERIE
13	70740343		2 PARAFUSO BANJO	BANJO BOLT	TORNILLO BANJO	VIS BANJO
14	70920115		5 ARRUELA	WASHER	ARANDELA	RONDELLE
15	70920120		4 ARRUELA	WASHER	ARANDELA	RONDELLE
16	70992284		1 TUBO	PIPE	CAÑO	TUYAUTERIE
17	70992280		1 TUBO	PIPE	CAÑO	TUYAUTERIE
18	70100481		1 SUPORTE	BRACKET	SOPORTE	SUPPORT
19	0920053		2 ARRUELA	WASHER	ARANDELA	RONDELLE
20	0576002		2 PORCA	NUT	TUERCA	ÉCROU
21	0746453		2 PARAFUSO	BOLT	TORNILLO	VIS
22	0920054		5 ARRUELA	WASHER	ARANDELA	RONDELLE
23	0920004		2 ARRUELA	WASHER	ARANDELA	RONDELLE
24	70650115		1 BUJÃO	PLUG	TAPÓN	BOUCHON
25	70650116		1 BUJÃO	PLUG	TAPÓN	BOUCHON
26	72089		1 VÁLVULA	VALVE	VALVULA	VALVE
27	70200458		1 CONEXÃO "T"	CONNECTION	CONEXION	RACCORD
28	0095344		1 PARAFUSO	BOLT	TORNILLO	VIS
29	0746451		1 PARAFUSO	BOLT	TORNILLO	VIS
30	36516119		2 PRESILHA	CLIP	SUJETADOR	AGRAFE
31	70600001		2 ALMOFADA	DAMPER	AMORTIGUADOR	AMORTISSEUR
32	0726260		1 PARAFUSO	BOLT	TORNILLO	VIS
33	70576100		1 PORCA	NUT	TUERCA	ÉCROU
34	70991114		1 TUBO FLEXÍVEL	PIPE	CAÑO	TUYAUTERIE

FILTROS DE ÓLEO COMBUSTÍVEL
 FUELOIL FILTERS
 FILTROS DE ACEITE COMBUSTIBLE
 FILTRES À HUILE COMBUSTIBLE

GRUPO
 GROUP
 GRUPO
 GROUPE

42/259



FILTROS DE ÓLEO COMBUSTÍVEL
FUELOIL FILTERS
FILTROS DE ACEITE COMBUSTIBLE
FILTRES À HUILE COMBUSTIBLE

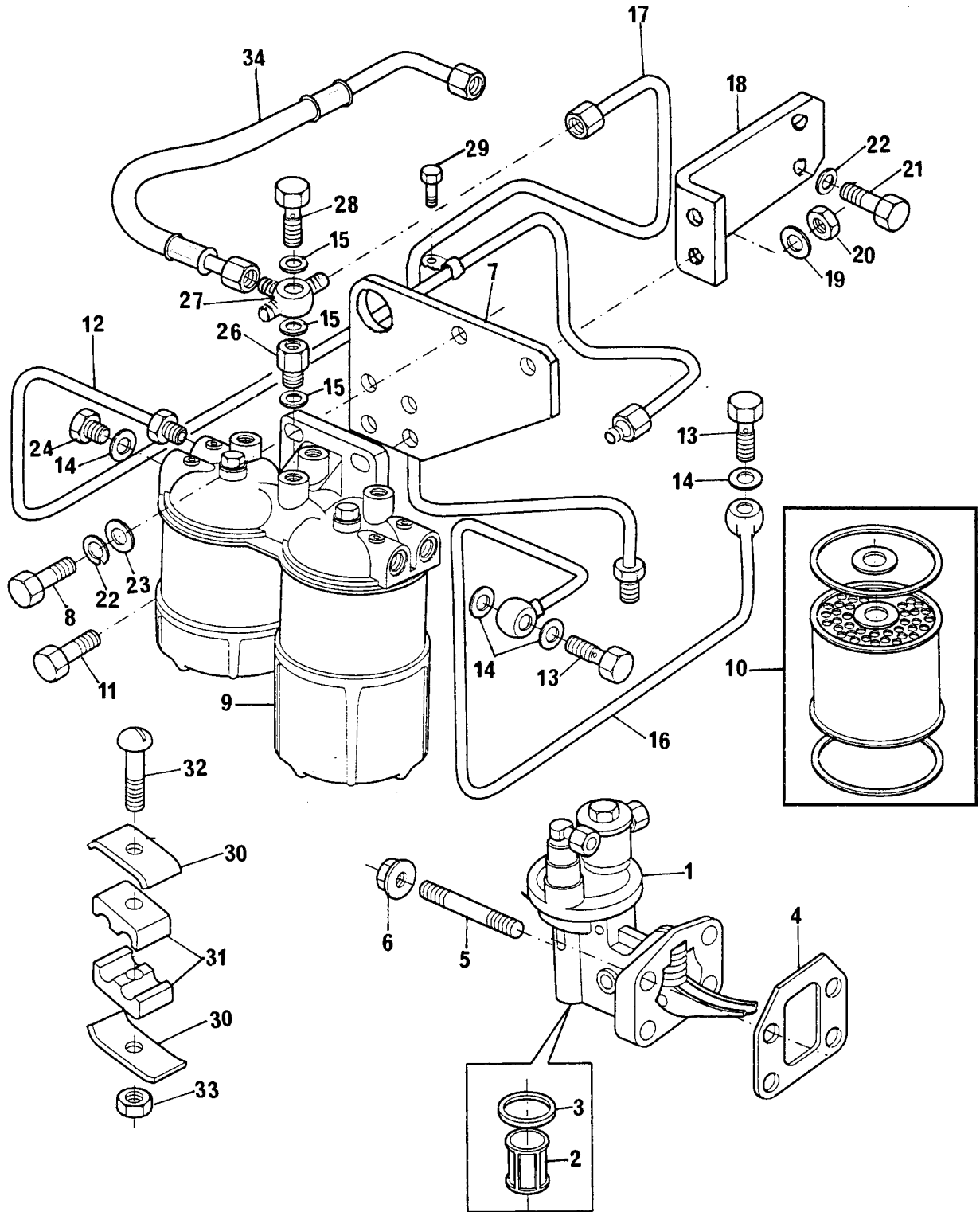
GRUPO
GROUP 42/259
GRUPO
GROUPE

1	72083		1 BOMBA ALIMENTADORA	LIFT PUMP	BOMBA	POMPE
2	70800016	1	1 PENEIRA	SCREEN	TAMIZ	TAMIS
3	70490182	1	1 JUNTA	JOINT	JUNTA	JOINT
4	70490287		1 JUNTA	JOINT	JUNTA	JUNTA
5	70820084		4 PRISIONEIRO	STUD	ESPÁRRAGO	GOUJON
6	70570073		4 PORCA	NUT	TUERCA	ÉCROU
7	70100627		1 SUPORTE	BRACKET	SOPORTE	SUPPORT
8	0746453		1 PARAFUSO	BOLT	TORNILLO	VIS
9	0746424		1 PARAFUSO	BOLT	TORNILLO	VIS
10	0920054		2 ARRUELA	WASHER	ARANDELA	RONDELLE
11	70100624		1 TIRANTE	ROD	VARILLA	TIGE
12	0746253		1 PARAFUSO	BOLT	TORNILLO	VIS
13	0920053		1 ARRUELA	WASHER	ARANDELA	RONDELLE
14	0576002		1 PORCA	NUT	TUERCA	ÉCROU
15	70950027		1 DEFLETOR	DEFLECTOR	DEFLECTOR	DÉFLECTEUR
16	72044		1 FILTRO	FILTER	FILTRO	FILTRE
17	423651	16	1 ELEMENTO	ELEMENT	ELEMENTO	ÉLÉMENT
18	70740178		2 PARAFUSO	BOLT	TORNILLO	VIS
19	70992386		1 TUBO	PIPE	CAÑO	TUYAUTERIE
20	70740343		4 PARAFUSO BANJO	BANJO BOLT	TORNILLO BANJO	VIS BANJO
21	70920115		8 ARRUELA	WASHER	ARANDELA	RONDELLE
22	72089		1 VÁLVULA	VALVE	VÁLVULA	SOUPAPE
23	70920120		3 ARRUELA	WASHER	ARANDELA	RONDELLE
24	70200458		1 CONEXÃO "T"	CONNECTION	CONEXION	RACCORD
25	0095344		1 PARAFUSO BANJO	BANJO BOLT	TORNILLO BANJO	VIS BANJO
26	70650115		2 BUJÃO	PLUG	TAPÓN	BOUCHON
27	70920115		2 ARRUELA	WASHER	ARANDELA	RONDELLE
28	70992387		1 TUBO	PIPE	CAÑO	TUYAUTERIE
29	70992357		1 TUBO	PIPE	CAÑO	TUYAUTERIE
30	70600001		2 ALMOFADA	DAMPER	AMORTIGUADOR	AMORTISSEUR
31	36516119		2 PRESILHA	CLIP	SUJETADOR	AGRAFE
32	0726260		1 PARAFUSO	BOLT	TORNILLO	VIS
33	70576100		1 PORCA	NUT	TUERCA	ÉCROU
34	70991114		1 TUBO FLEXÍVEL	PIPE	CAÑO	TUYAUTERIE

SISTEMA DE COMBUSTÍVEL
FUEL SYSTEM
SISTEMA DE COMBUSTIBLE
SYSTEME DE COMBUSTIBLE

GRUPO
GROUP
GRUPO
GROUPE

42/265



SISTEMA DE COMBUSTÍVEL
 FUEL SYSTEM
 SISTEMA DE COMBUSTIBLE
 SYSTEME DE COMBUSTIBLE

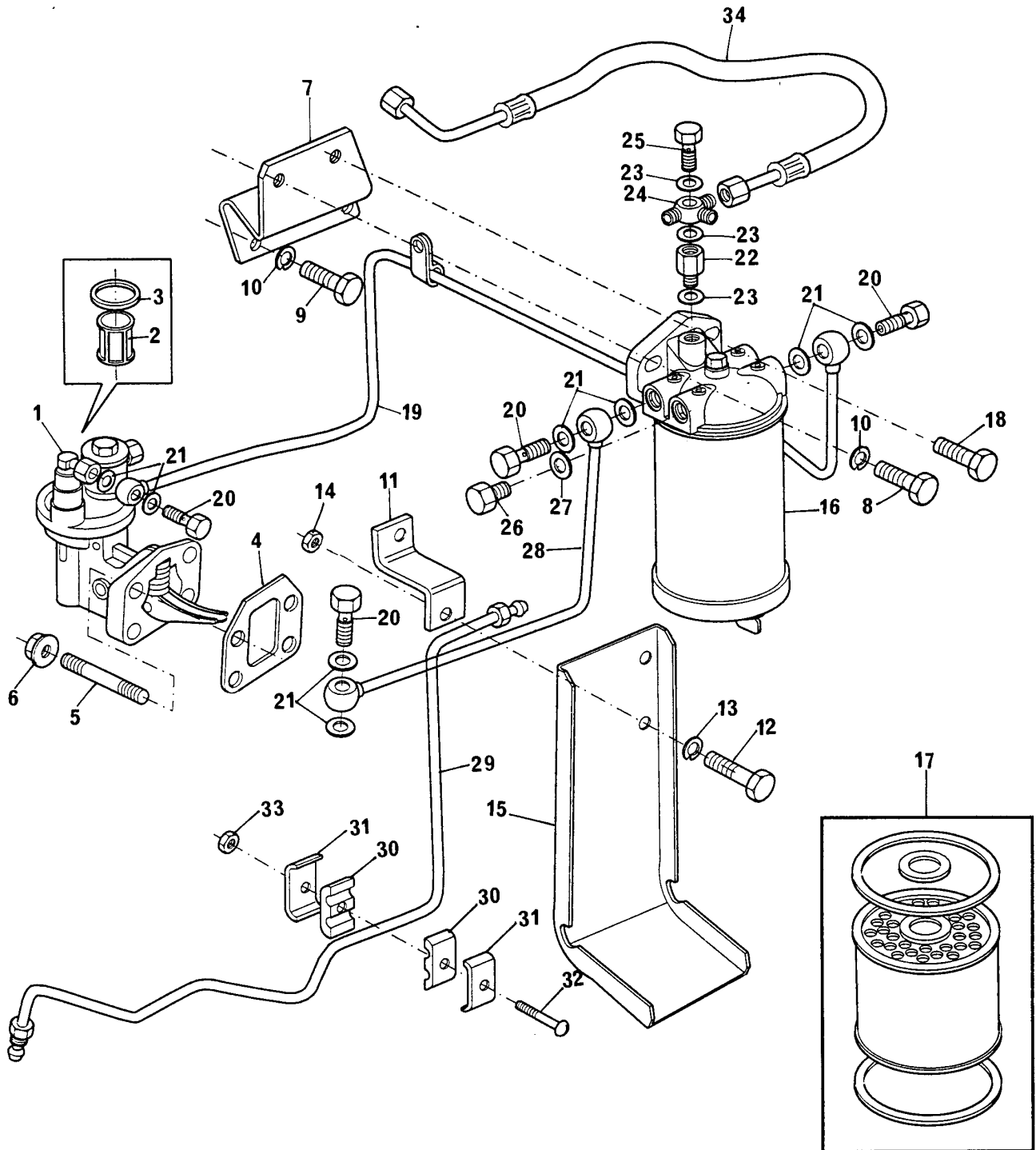
GRUPO
 GROUP 42/265
 GRUPO
 GROUPE

1	72088		1 BOMBA ALIMENTADORA	LIFT PUMP	BOMBA	POMPE
2	70800016	1	1 PENEIRA	SCREEN	TAMIZ	TAMIS
3	70490182	1	1 JUNTA	JOINT	JUNTA	JOINT
4	70490287		1 JUNTA	JOINT	JUNTA	JUNTA
5	70820084		4 PRISIONEIRO	STUD	ESPÁRRAGO	GOUJON
6	70570073		4 PORCA	NUT	TUERCA	ÉCROU
7	70100480		1 SUPORTE	BRACKET	SOPORTE	SUPPORT
8	70740181		2 PARAFUSO	BOLT	TORNILLO	VIS
9	72012		1 FILTRO	FILTER	FILTRO	FILTRE
10	635776	9	2 ELEMENTO	ELEMENT	ELEMENTO	ÉLÉMENT
11	0096201		2 PARAFUSO	BOLT	TORNILLO	VIS
12	70991803		1 TUBO	PIPE	CAÑO	TUYAUTERIE
13	70740343		2 PARAFUSO BANJO	BANJO BOLT	TORNILLO BANJO	VIS BANJO
14	70920115	2	6 ARRUELA	WASHER	ARANDELA	RONDELLE
15	70920120		4 ARRUELA	WASHER	ARANDELA	RONDELLE
16	70992284		1 TUBO	PIPE	CAÑO	TUYAUTERIE
17	70992280		1 TUBO	PIPE	CAÑO	TUYAUTERIE
18	70100481		1 SUPORTE	BRACKET	SOPORTE	SUPPORT
19	0920053		2 ARRUELA	WASHER	ARANDELA	RONDELLE
20	0576002		2 PORCA	NUT	TUERCA	ÉCROU
21	0746453		2 PARAFUSO	BOLT	TORNILLO	VIS
22	0920054		5 ARRUELA	WASHER	ARANDELA	RONDELLE
23	0920004		2 ARRUELA	WASHER	ARANDELA	RONDELLE
24	70650115		2 BUJÃO	PLUG	TAPÓN	BOUCHON
26	72089		1 VÁLVULA	VALVE	VALVULA	VALVE
27	70200458		1 CONEXÃO "T"	CONNECTION	CONEXION	RACCORD
28	0095344		1 PARAFUSO	BOLT	TORNILLO	VIS
29	0746451		1 PARAFUSO	BOLT	TORNILLO	VIS
30	36516119		2 PRESILHA	CLIP	SUJETADOR	AGRAFE
31	70600001		2 ALMOFADA	DAMPER	AMORTIGUADOR	AMORTISSEUR
32	0726260		1 PARAFUSO	BOLT	TORNILLO	VIS
33	70576100		1 PORCA	NUT	TUERCA	ÉCROU
34	70991114		1 TUBO FLEXÍVEL	PIPE	CAÑO	TUYAUTERIE

SISTEMA DE COMBUSTÍVEL
FUEL SYSTEM
SISTEMA DE COMBUSTIBLE
SYSTEME DE COMBUSTIBLE

GRUPO
GROUP
GRUPO
GROUPE

42/266



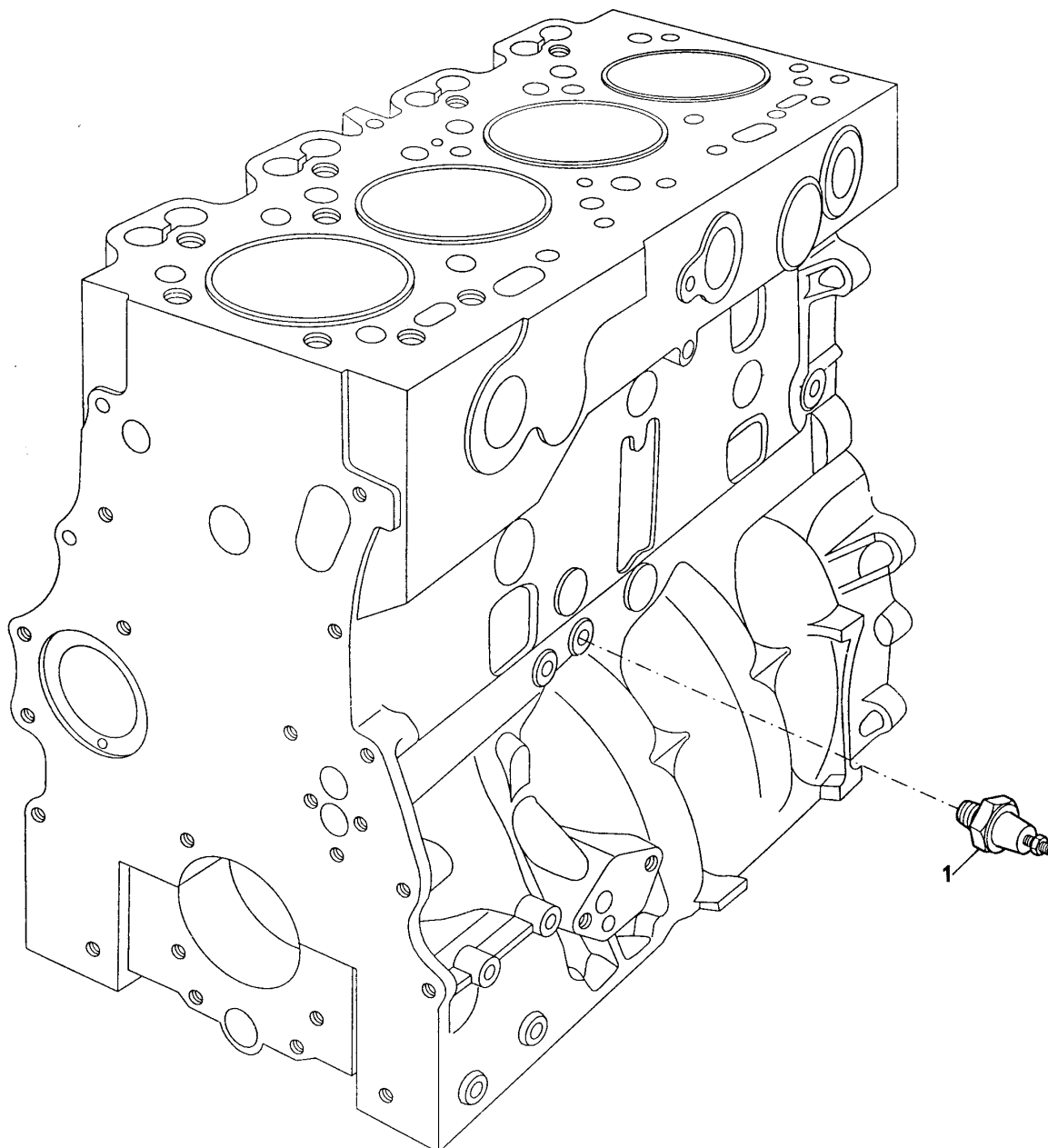
SISTEMA DE COMBUSTÍVEL
FUEL SYSTEM
SISTEMA DE COMBUSTIBLE
SYSTEME DE COMBUSTIBLE

GRUPO
GROUP 42/266
GRUPO
GROUPE

1	72083		1 BOMBA ALIMENTADORA	LIFT PUMP	BOMBA	POMPE
2	70800016	1	1 PENEIRA	SCREEN	TAMIZ	TAMIS
3	70490182	1	1 JUNTA	JOINT	JUNTA	JOINT
4	70490287		1 JUNTA	JOINT	JUNTA	JUNTA
5	70820084		4 PRISIONEIRO	STUD	ESPÁRRAGO	GOUJON
6	70570073		4 PORCA	NUT	TUERCA	ÉCROU
7	70100627		1 SUPORTE	BRACKET	SOPORTE	SUPPORT
8	0746453		1 PARAFUSO	BOLT	TORNILLO	VIS
9	0746424		1 PARAFUSO	BOLT	TORNILLO	VIS
10	0920054		2 ARRUELA	WASHER	ARANDELA	RONDELLE
11	70100624		1 TIRANTE	ROD	VARILLA	TIGE
12	0746253		1 PARAFUSO	BOLT	TORNILLO	VIS
13	0920053		1 ARRUELA	WASHER	ARANDELA	RONDELLE
14	0576002		1 PORCA	NUT	TUERCA	ÉCROU
15	70950027		1 DEFLETOR	DEFLECTOR	DEFLECTOR	DÉFLECTEUR
16	72044		1 FILTRO	FILTER	FILTRO	FILTRE
17	423651	16	1 ELEMENTO	ELEMENT	ELEMENTO	ÉLÉMENT
18	70740178		2 PARAFUSO	BOLT	TORNILLO	VIS
19	70992386		1 TUBO	PIPE	CAÑO	TUYAUTERIE
20	70740343		4 PARAFUSO BANJO	BANJO BOLT	TORNILLO BANJO	VIS BANJO
21	70920115		8 ARRUELA	WASHER	ARANDELA	RONDELLE
22	72089		1 VÁLVULA	VALVE	VÁLVULA	SOUPAPE
23	70920120		3 ARRUELA	WASHER	ARANDELA	RONDELLE
24	70200458		1 CONEXÃO "T"	CONNECTION	CONEXION	RACCORD
25	0095344		1 PARAFUSO BANJO	BANJO BOLT	TORNILLO BANJO	VIS BANJO
26	70650115		2 BUJÃO	PLUG	TAPÓN	BOUCHON
27	70920115		2 ARRUELA	WASHER	ARANDELA	RONDELLE
28	70992387		1 TUBO	PIPE	CAÑO	TUYAUTERIE
29	70992357		1 TUBO	PIPE	CAÑO	TUYAUTERIE
30	70600001		2 ALMOFADA	DAMPER	AMORTIGUADOR	AMORTISSEUR
31	36516119		2 PRESILHA	CLIP	SUJETADOR	AGRAFE
32	0726260		1 PARAFUSO	BOLT	TORNILLO	VIS
33	70576100		1 PORCA	NUT	TUERCA	ÉCROU
34	70991114		1 TUBO FLEXÍVEL	PIPE	CAÑO	TUYAUTERIE

TOMADA PARA MANOMETRO DE ÓLEO
OIL PRESSURE GAUGE FITTING
TOMA PARA MANOMETRO DE ACEITE
PRISE POUR MANOMETRE D'HUILE

GRUPO
GROUP 43/55
GRUPO
GROUPE



TOMADA PARA MANOMETRO DE ÓLEO
OIL PRESSURE GAUGE FITTING
TOMA PARA MANOMETRO DE ACEITE
PRISE POUR MANOMETRE D'HUILE

GRUPO
GROUP 43/55
GRUPO
GROUPE

1 73079

1 INTERRUPTOR

SWITCH

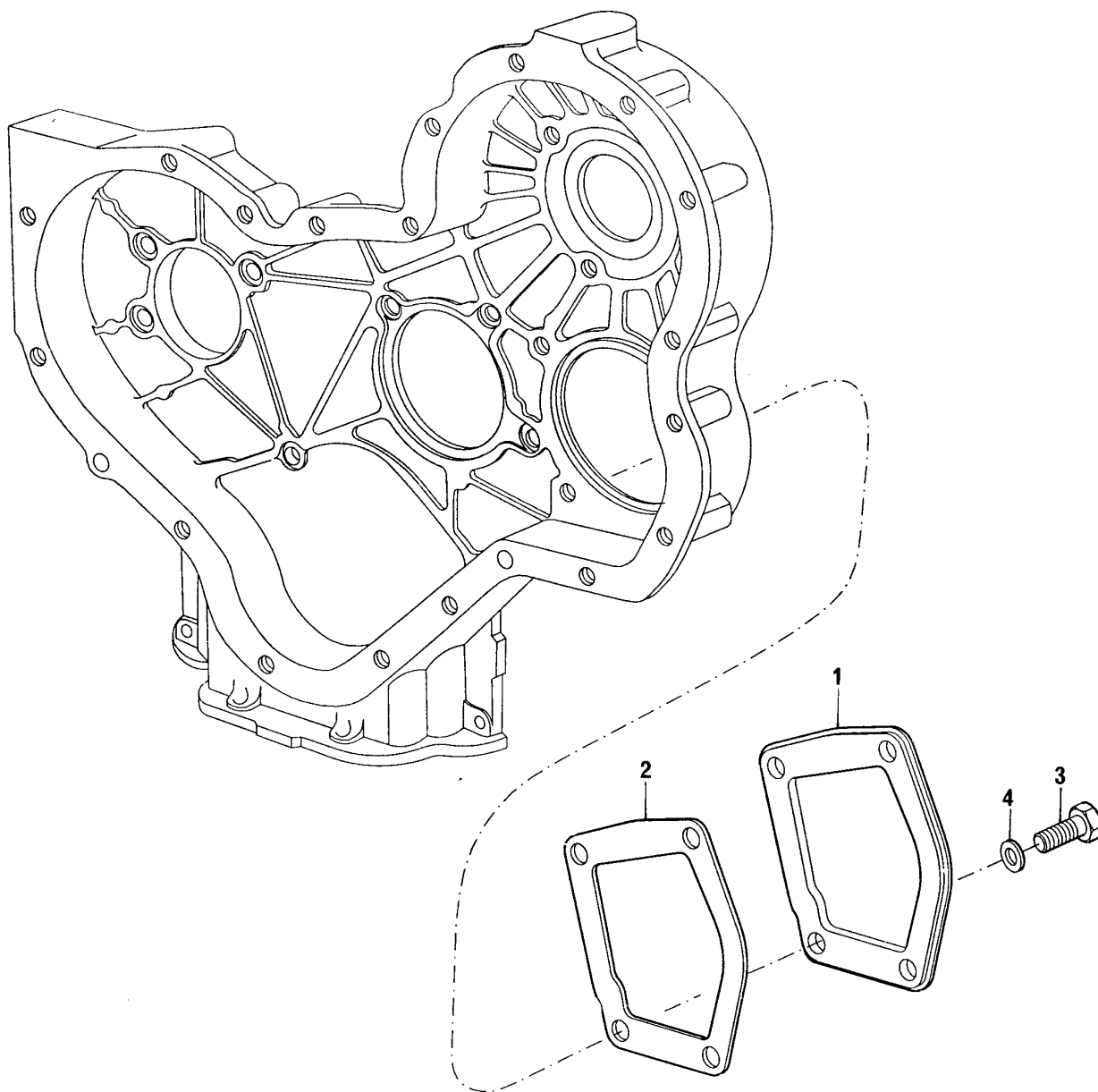
INTERRUPTOR

INTERRUPTEUR

TOMADA DE POTÊNCIA - EXAUSTOR
POWER TAKE-OFF - EXHAUSTER
TOMA DE POTENCIA - EDUCTOR
PRISE DE PUISSANCE - POMPE À VIDE

GRUPO
GROUP
GRUPO
GROUPE

44/57



TOMADA DE POTÊNCIA - EXAUSTOR
POWER TAKE-OFF - EXHAUSTER
TOMA DE POTENCIA - EDUCTOR
PRISE DE PUISSANCE - POMPE À VIDE

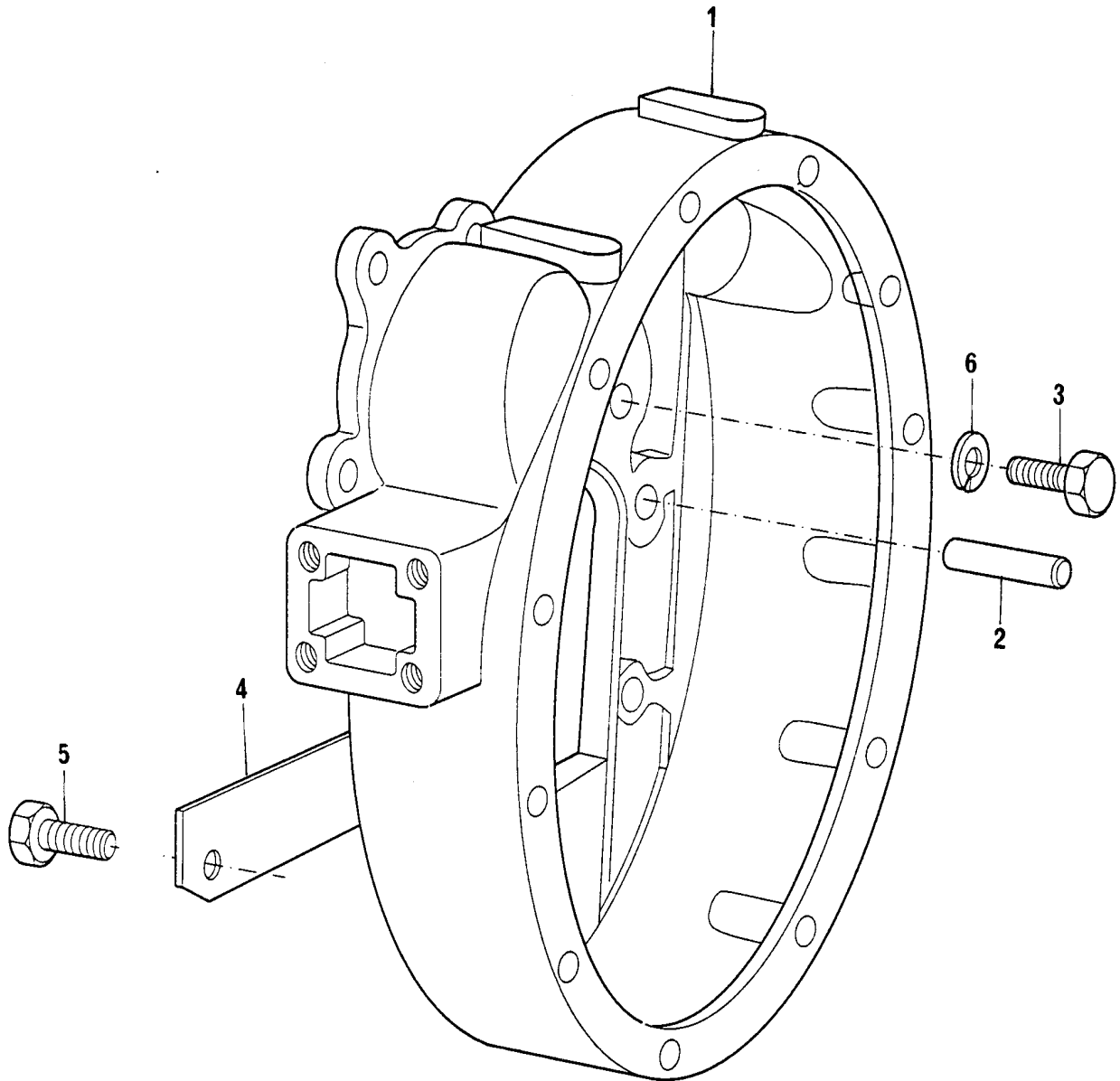
GRUPO
GROUP 44/57
GRUPO
GROUPE

1	70240190	1	TAMPA	COVER	TAPA	COUVERCLE
2	36865511	1	JUNTA	JOINT	JUNTA	JOINT
3	0748412	4	PARAFUSO	BOLT	TORNILLO	VIS
4	0920108	4	ARRUELA	WASHER	ARANDELA	RONDELLE

CARÇAÇA DO VOLANTE
FLYWHEEL HOUSING
CARTER DEL VOLANTE
CARTER DU VOLANT

GRUPO
GROUP
GRUPO
GROUPE

45/102



CARCAÇA DO VOLANTE
FLYWHEEL HOUSING
CARTER DEL VOLANTE
CARTER DU VOLANT

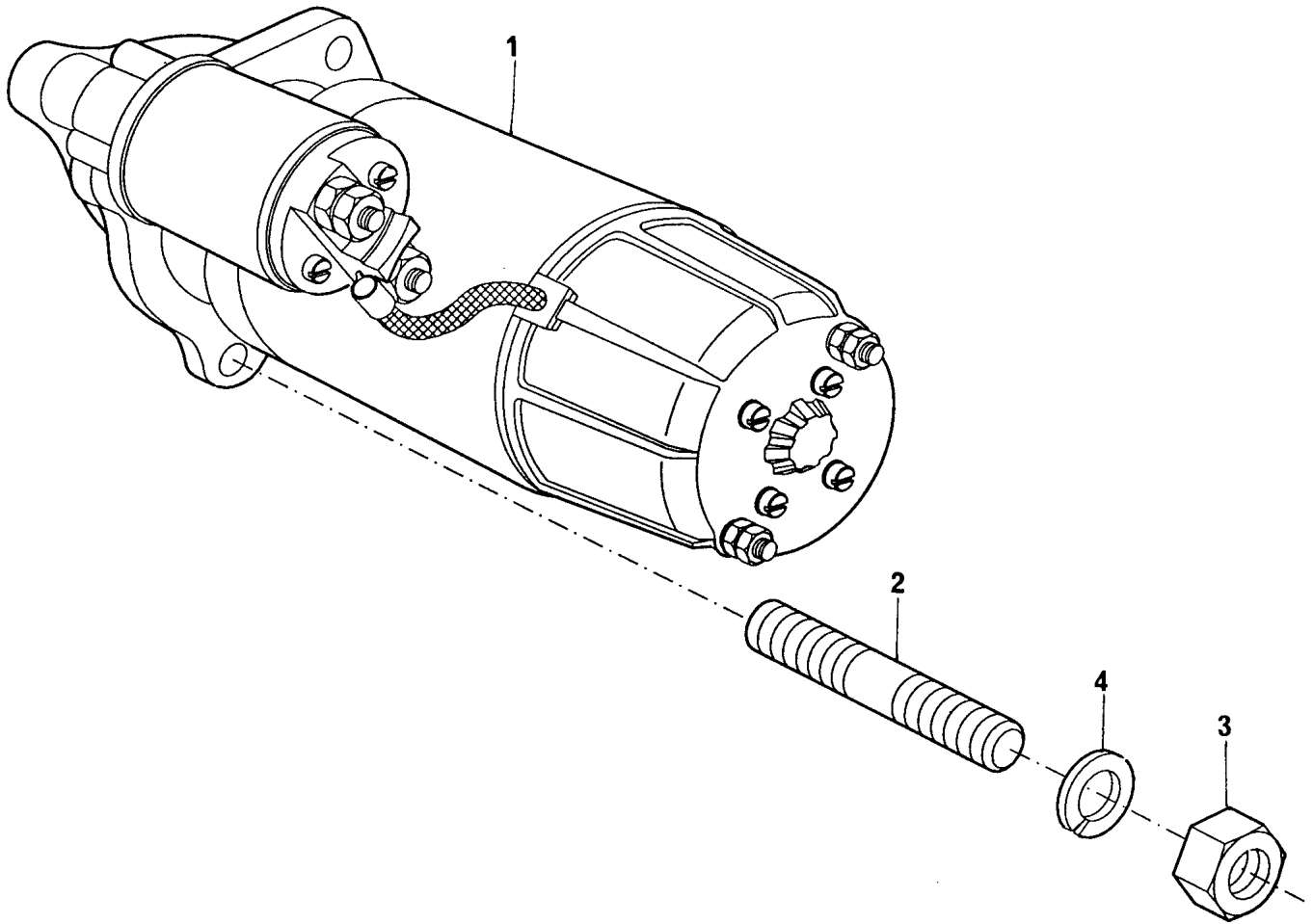
GRUPO
GROUP 45/102
GRUPO
GROUPE

1	70440187	1	CARCAÇA	HOUSING	CÁRTER	CARTER
2	0350025	2	PINO GUIA	DOWEL	ESPIGA	PION
3	70740178	6	PARAFUSO	BOLT	TORNILLO	VIS
4	70240185	1	TAMPA	COVER	TAPA	COUVERCLE
5	0746051	2	PARAFUSO	BOLT	TORNILLO	VIS
6	0920054	6	ARRUELA	WASHER	ARANDELA	RONDELLE

MOTOR DE PARTIDA
STARTER MOTOR
MOTOR DE ARRANQUE
DEMARREUR

GRUPO
GROUP
GRUPO
GROUPE

46/42



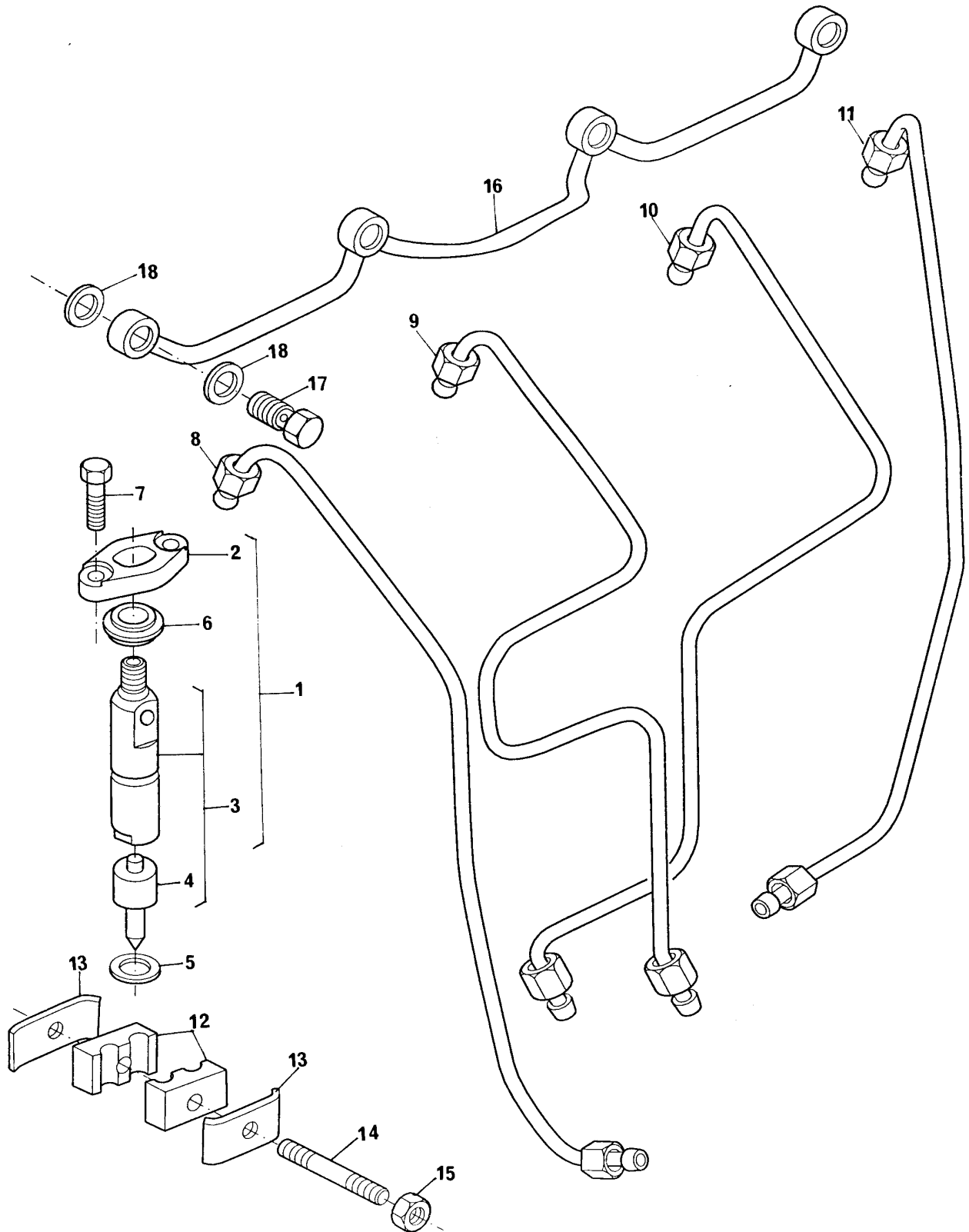
**MOTOR DE PARTIDA
STARTER MOTOR
MOTOR DE ARRANQUE
DEMARREUR**

**GRUPO
GROUP
GRUPO
GROUPE** **46/42**

1	74045	1	MOTOR DE PARTIDA	STARTER MOTOR	MOTOR ARRANQUE	DÉMARREUR
2	0826408	3	PRISIONEIRO	STUD	ESPARRAGO	GOUJON
3	0576051	3	PORCA	NUT	TUERCA	ÉCROU
4	0920054	3	ARRUELA	WASHER	ARANDELA	RONDELLE

TUBOS DE INJEÇÃO E INJETORES
FUEL INJECTION SYSTEM
EQUIPO DE INYECCIÓN
SYSTEME D'INJECTION

GRUPO
GROUP 48/80
GRUPO
GROUPE



TUBOS DE INJEÇÃO E INJETORES
FUEL INJECTION SYSTEM
EQUIPO DE INYECCIÓN
SYSTEME D'INJECTION

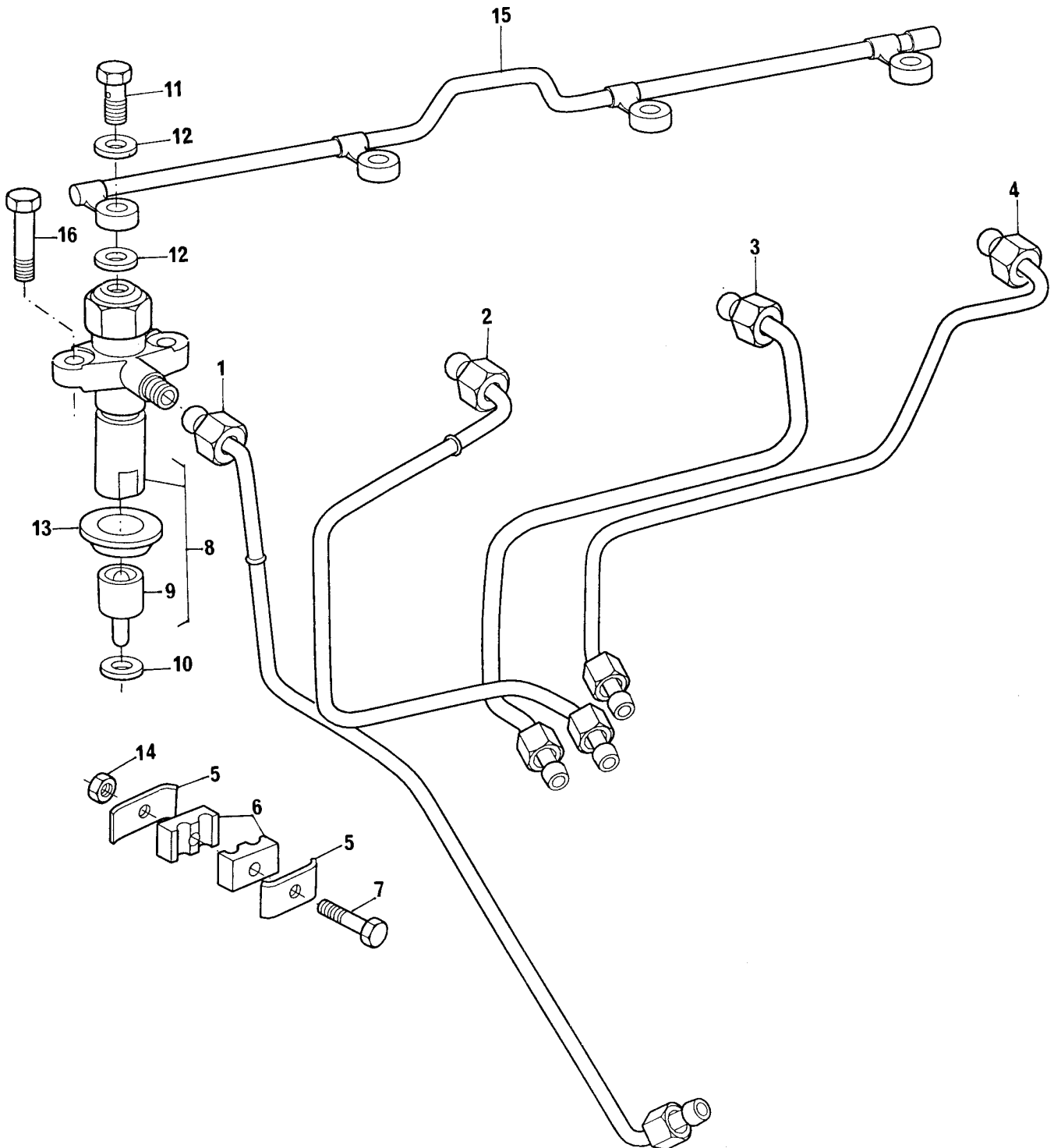
GRUPO
GROUP 48/80
GRUPO
GROUPE

1	77271		4	CJ. INJETOR / FLANGE	NOZZLE ASSY	INJECTOR CJ	INJECTEUR
2	37462401	1	4	FLANGE	FLANGE	PLETINA	FLASQUE
3	2645K002	1	4	CJ. INJETOR	NOZZLE ASSY	INJECTOR CJ	INJECTEUR
4	2645K602	3	4	BICO INJETOR	NOZZLE	TOBERA	NEZ INJECTEUR
5	70920081		4	ARRUELA	WASHER	ARANDELA	RONDELLE
6	70730019		4	VEDADOR	SEAL	RETÉN	GUARNITURE
7	0096231		8	PARAFUSO	BOLT	TORNILLO	VIS
8	70992433		1	TUBO CIL. 1	PIPE 1 CYL	CAÑO CIL 1	TUYAUTERIE 1
9	70992434		1	TUBO CIL. 2	PIPE 2 CYL	CAÑO CIL 2	TUYAUTERIE 2
10	70992435		1	TUBO CIL. 3	PIPE 3 CYL	CAÑO CIL 3	TUYAUTERIE 3
11	70992436		1	TUBO CIL. 4	PIPE 4 CYL	CAÑO CIL 4	TUYAUTERIE 4
12	36854103		2	ALMOFADA	DAMPER	AMORTIGUADOR	AMORTISSEUR
13	36516119		2	PRESILHA	CLIP	SUJETADOR	AGRAFE
14	0826107		2	PRISIONEIRO	STUD	ESPÁRRAGO	GOUJON
15	70576101		2	PORCA	NUT	TUERCA	ÉCROU
16	3558X011		1	TUBO	PIPE	CAÑO	TUYAUTERIE
17	0095315		3	PARAFUSO	BOLT	TORNILLO	VIS
18	70920083		8	ARRUELA	WASHER	ARANDELA	RONDELLE

TUBOS DE INJEÇÃO E INJETORES
FUEL INJECTION SYSTEM
EQUIPO DE INYECCIÓN
SYSTEME D'INJECTION

GRUPO
GROUP
GRUPO
GROUPE

48/90



TUBOS DE INJEÇÃO E INJETORES
FUEL INJECTION SYSTEM
EQUIPO DE INYECCIÓN
SYSTEME D'INJECTION

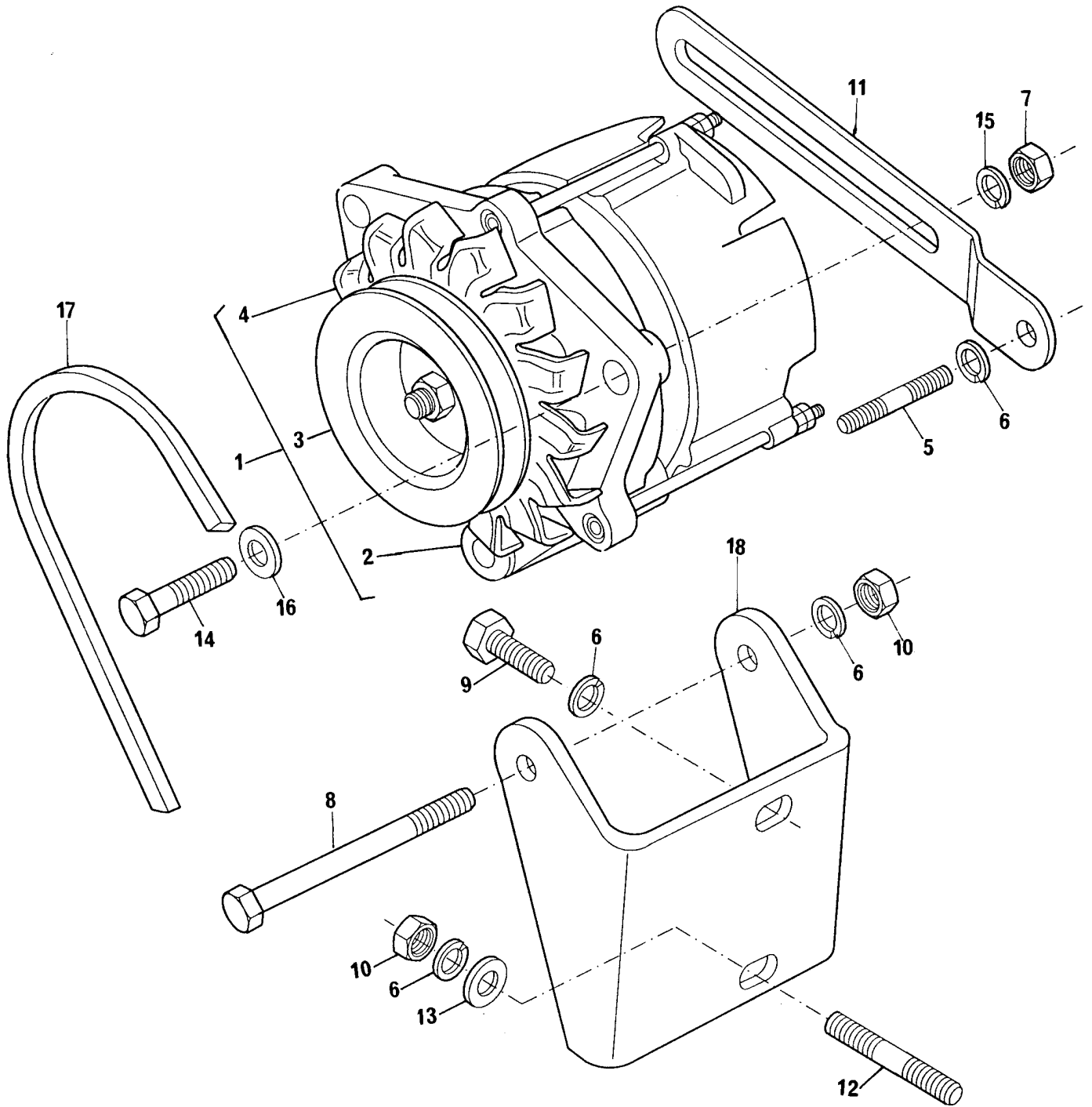
GRUPO
GROUP 48/90
GRUPO
GROUPE

1	70992258		1 TUBO CIL. 1	PIPE 1 CYL	CAÑO CIL 1	TUYAUTERIE 1
2	70992259		1 TUBO CIL. 2	PIPE 2 CYL	CAÑO CIL 2	TUYAUTERIE 2
3	70992260		1 TUBO CIL. 3	PIPE 3 CYL	CAÑO CIL 3	TUYAUTERIE 3
4	70992261		1 TUBO CIL. 4	PIPE 4 CYL	CAÑO CIL 4	TUYAUTERIE 4
5	36516119		4 PRESILHA	CLIP	SUJETADOR	AGRAFE
6	70600001		4 ALMOFADA	DAMPER	AMORTIGUADOR	AMORTISSEUR
7	0726260		2 PARAFUSO	BOLT	TORNILLO	VIS
8	2645666		4 INJETOR - CJ.	ATOMISER ASSY	INYECTOR - CJ.	INJECTEUR
9	2646842	8	4 BICO INJETOR	NOZZLE	TOBERA	NEZ INJECTEUR
10	70920081		4 ARRUELA	WASHER	ARANDELA	RONDELLE
11	0095315		4 PARAFUSO BANJO	BANJO BOLT	TORNILLO BANJO	VIS BANJO
12	70920083		8 ARRUELA	WASHER	ARANDELA	RONDELLE
13	70730019		4 VEDADOR	DUST SHIELD	PROTECTOR	PROTECTEUR
14	70576100		2 PORCA	NUT	TUERCA	ÉCROU
15	35587338		1 TUBO RETORNO	PIPE	CAÑO	TUYAUTERIE
16	0096231		8 PARAFUSO	BOLT	TORNILLO	VIS

ALTERNADOR E CORREIA
ALTERNATOR AND BELT
ALTERNADOR Y CORREA
ALTERNATEUR ET COURROIE

GRUPO
GROUP
GRUPO
GROUPE

50/162



ALTERNADOR E CORREIA
ALTERNATOR AND BELT
ALTERNADOR Y CORREA
ALTERNATEUR ET COURROIE

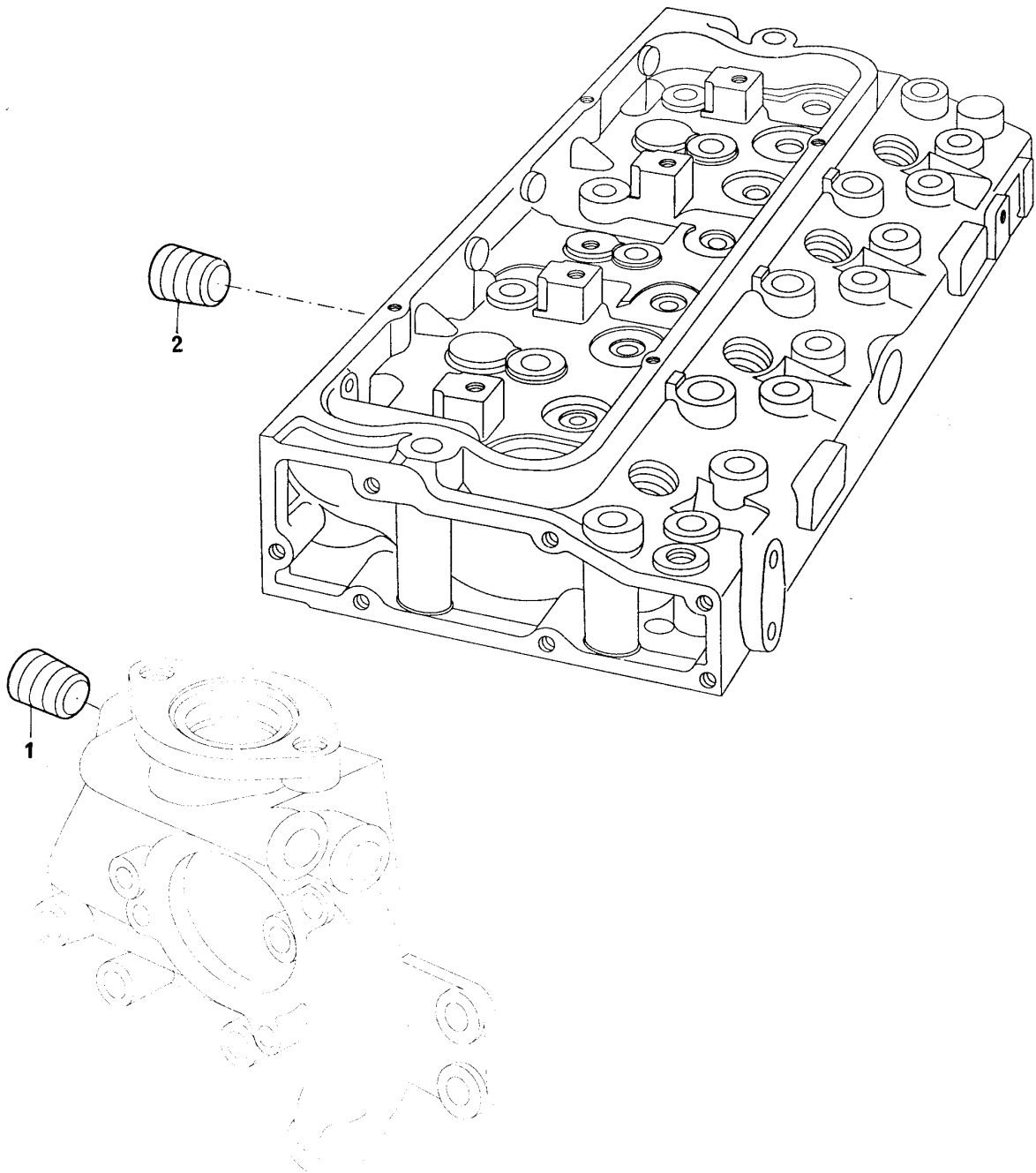
GRUPO
GROUP 50/162
GRUPO
GROUPE

1	70992751		1	C.J. ALTERNADOR	ALTERNATOR	ALTERNADOR	ALTERNATEUR
2	74157	1	1	ALTERNADOR	ALTERNATOR	ALTERNADOR	ALTERNATEUR
3	70670188	1	1	POLIA	PULLEY	POLEA	POULIE
4	70360053	1	1	VENTILADOR	FAN	VENTILADOR	VENILATEUR
5	0826422		1	PRISIONEIRO	STUD	ESPÁRRAGO	GOUJON
6	0920054		4	ARRUELA	WASHER	ARANDELA	RONDELLE
7	0576054		1	PORCA	NUT	TUERCA	ÉCROU
8	0096445		1	PARAFUSO	BOLT	TORNILLO	VIS
9	0748522		1	PARAFUSO	BOLT	TORNILLO	VIS
10	0576051		3	PORCA	NUT	TUERCA	ÉCROU
11	70520082		1	BRAÇO	ARM	BRAZO	BRAS
12	0827809		1	PRISIONEIRO	STUD	ESPARRAGO	GOUJON
13	0920004		2	ARRUELA	WASHER	ARANDELA	RONDELLE
14	0096633		1	PARAFUSO	BOLT	TORNILLO	VIS
15	0920055		1	ARRUELA	WASHER	ARANDELA	RONDELLE
16	0920006		2	ARRUELA	WASHER	ARANDELA	RONDELLE
17	70070048		1	CORREIA	BELT	CORREA	COURROIE
18	70100424		1	SUPORTE	BRACKET	SOPORTE	SUPPORT

ITENS DE INSTALAÇÃO
FITTING ITEMS
PIEZAS DE INSTALACION
ARTICLES D'INSTALLATION

GRUPO
GROUP
GRUPO
GROUPE

52/273



ITENS DE INSTALAÇÃO
FITTING ITEMS
PIEZAS DE INSTALACION
ARTICLES D'INSTALLATION

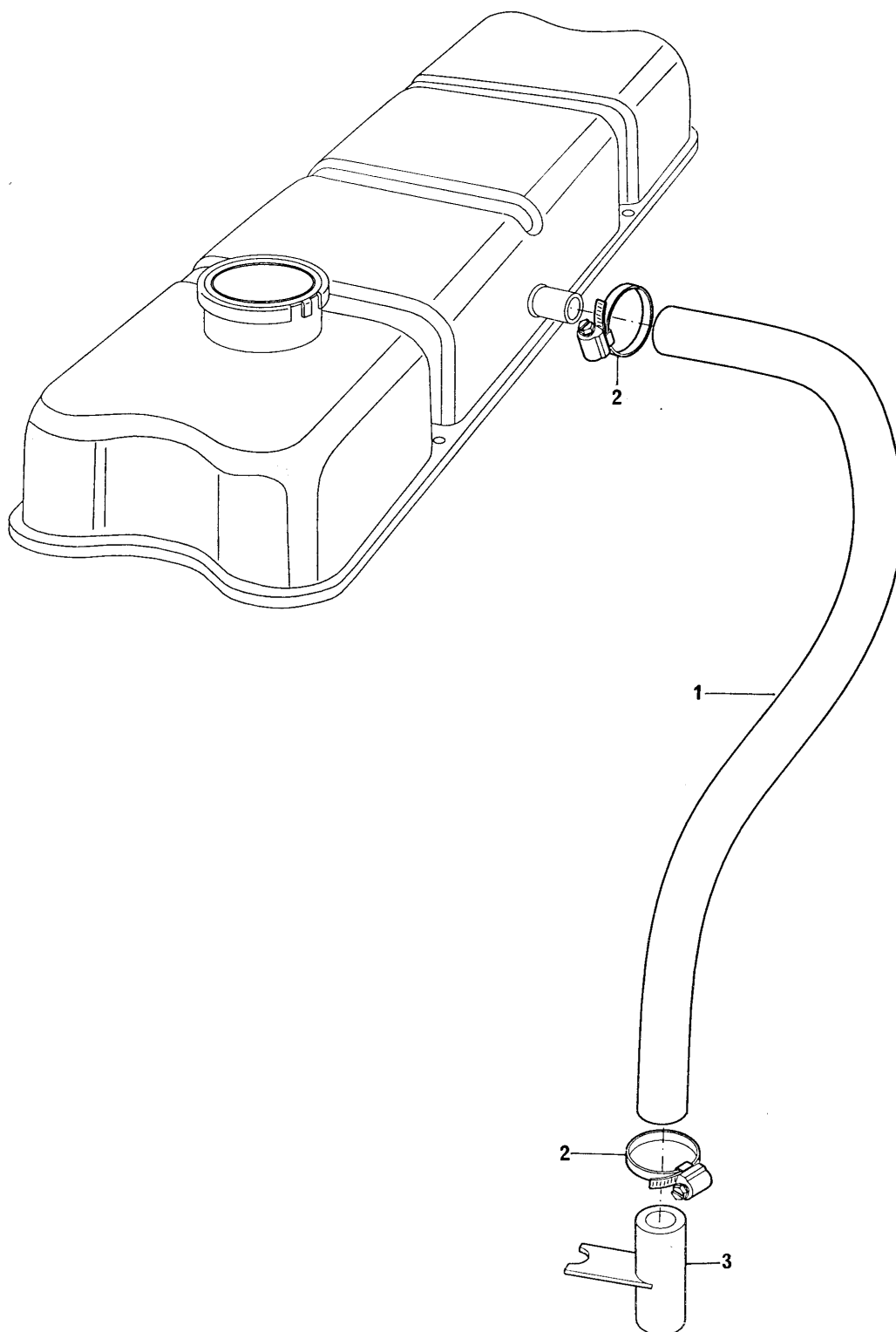
GRUPO
GROUP 52/273
GRUPO
GROUPE

1	70650119	2 BUJÃO	PLUG	TAPÓN	BOUCHON
2	70650083	2 BUJÃO	PLUG	TAPÓN	BOUCHON

RESPIRO DO MOTOR
ENGINE BREATHER
RESPIRADERO DEL MOTOR
RENIFLARD DU MOTEUR

GRUPO
GROUP
GRUPO
GROUPE

53/17



RESPIRO DO MOTOR
ENGINE BREATHER
RESPIRADERO DEL MOTOR
RENIFLARD DU MOTEUR

GRUPO
GROUP
GRUPO
GROUPE

53/17

1 70620688
2 70180154
3 35731144

1 TUBO
2 BRAÇADEIRA
1 TUBO

PIPE
CLAMP
PIPE

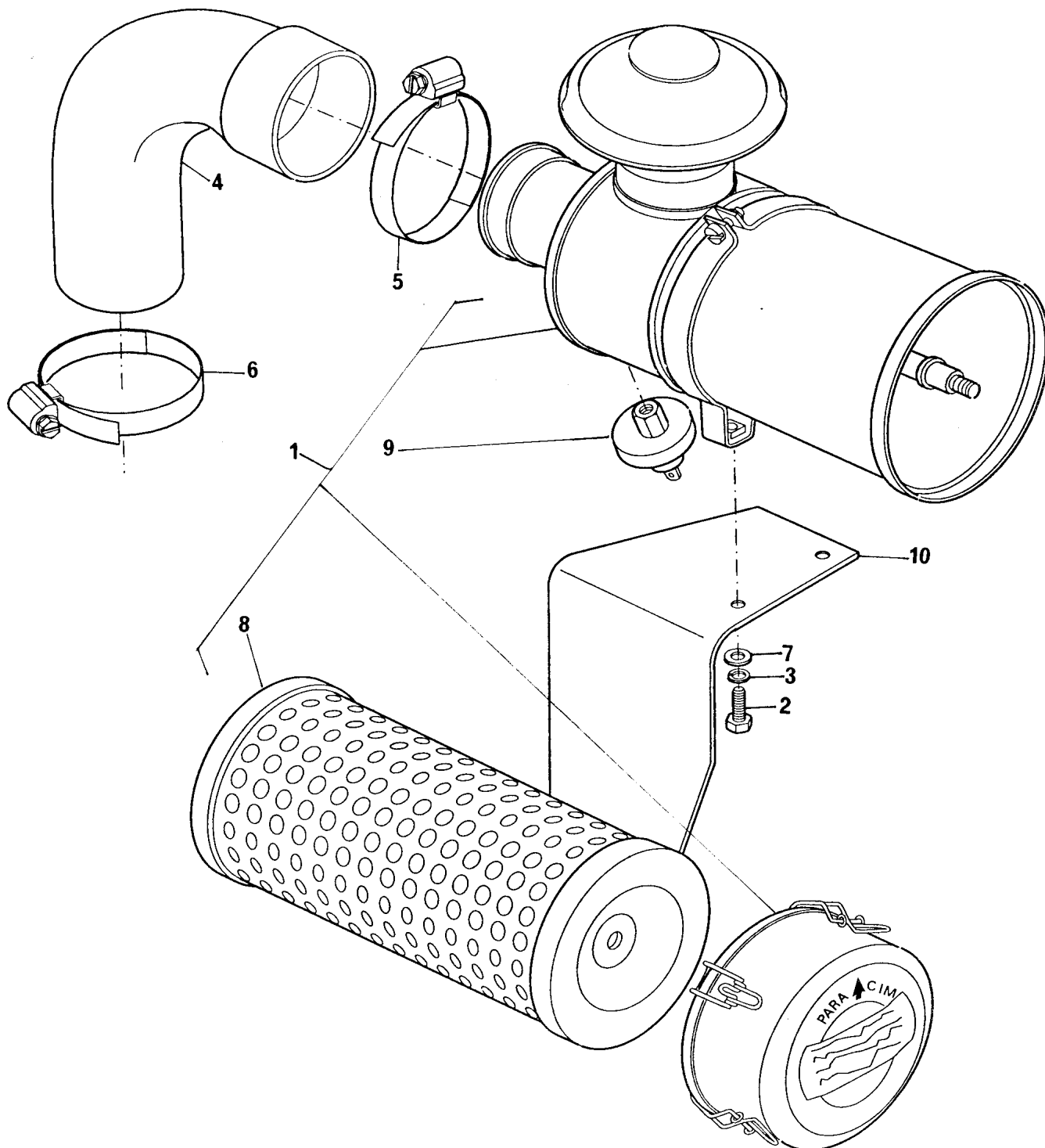
CAÑO
ABRAZADERA
CAÑO

TUYAUTERIE
COLLIER
TUYAUTERIE

FILTRO DE AR
AIR CLEANER
FILTRO DE AIRE
FILTRE À AIR

GRUPO
GROUP
GRUPO
GROUPE

54/57



FILTRO DE AR
AIR CLEANER
FILTRO DE AIRE
FILTRE À AIR

GRUPO
GROUP
GRUPO
GROUPE

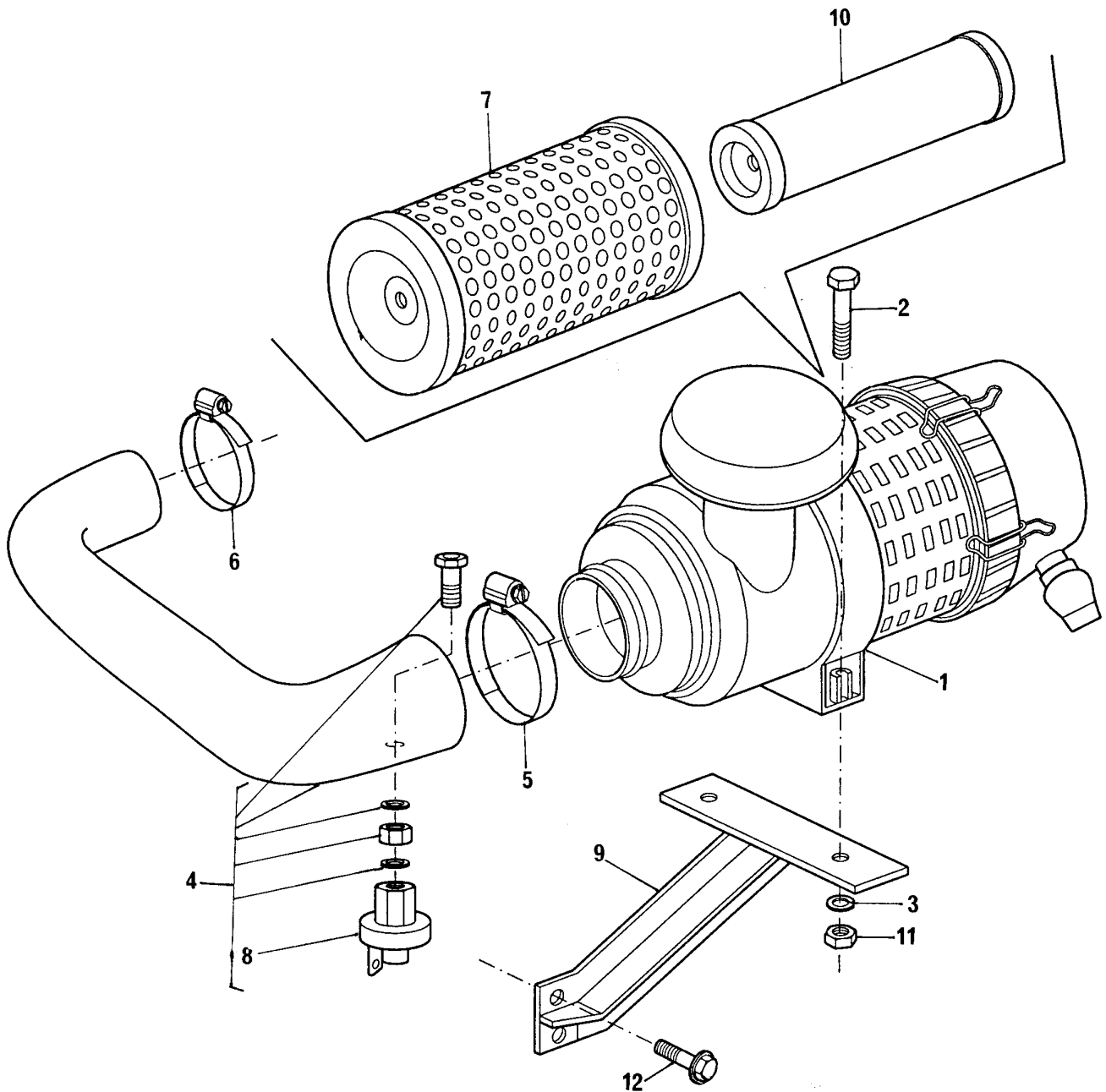
54/57

1	70073		1	FILTRO	FILTER	FILTRO	FILTRE
2	0748413		2	PARAFUSO	BOLT	TORNILLO	VIS
3	0920053		2	ARRUELA	WASHER	ARANDELA	RONDELLE
4	70200467		1	MANGUERA	HOSE	MANGUERA	DURITE
5	70180160		1	BRAÇADEIRA	CLAMP	ABRAZADERA	COLLIER
6	70180159		1	BRAÇADEIRA	CLAMP	ABRAZADERA	COLLIER
7	70920078		2	ARRUELA	WASHER	ARANDELA	RONDELLE
8	70081	1	1	ELEMENTO	ELEMENT	ELEMENTO	ÉLÉMENT
9	74112	1	1	INDICADOR RESTR.	INDICATOR	INDICADOR	INDICATEUR
10	70100605		1	SUPORTE	BRACKET	SOPORTE	SUPPORT

FILTRO DE AR
AIR CLEANER
FILTRO DE AIRE
FILTRE À AIR

GRUPO
GROUP
GRUPO
GROUPE

54/64



FILTRO DE AR
AIR CLEANER
FILTRO DE AIRE
FILTRE À AIR

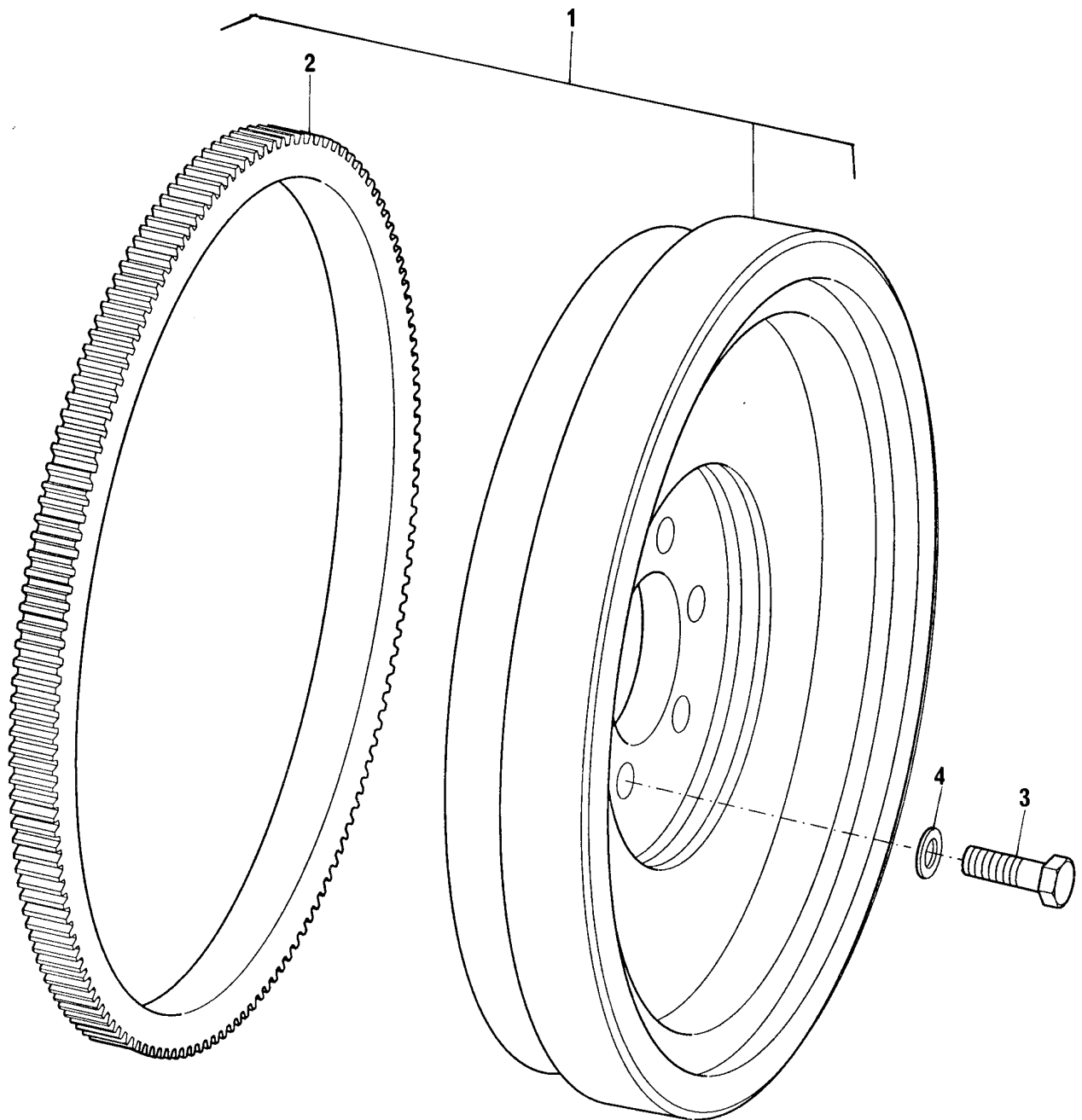
GRUPO
GROUP
GRUPO
GROUPE

54/64

1	70087		1	FILTRO	FILTER	FILTRO	FILTRE
2	2314H006		2	PARAFUSO	BOLT	TORNILLO	VIS
3	0920053		2	ARRUELA	WASHER	ARANDELA	RONDELLE
4	70993490		1	MANGUERA	HOSE	MANGUERA	DURITE
5	70180161		1	BRAÇADEIRA	CLAMP	ABRAZADERA	COLLIER
6	70180159		1	BRAÇADEIRA	CLAMP	ABRAZADERA	COLLIER
7	70083	1	1	ELEMENTO	ELEMENT	ELEMENTO	ÉLÉMENT
8	70085	4	1	INDICADOR RESTR.	INDICATOR	INDICADOR	INDICATEUR
9	70100827		1	SUPORTE	BRACKET	SOPORTE	SUPPORT
10	70084	1	1	ELEMENTO	ELEMENT	ELEMENTO	ÉLÉMENT
11	70570032		2	PORCA	NUT	TUERCA	ÉCROU
12	70740135		2	PARAFUSO	BOLT	TORNILLO	VIS

VOLANTE E CREMALHEIRA
FLYWHEEL AND STARTER RING
VOLANTE Y CORONA
VOLANT ET COURONNE

GRUPO
GROUP 55/134
GRUPO
GROUPE



VOLANTE E CREMALHEIRA
FLYWHEEL AND STARTER RING
VOLANTE Y CORONA
VOLANT ET COURONNE

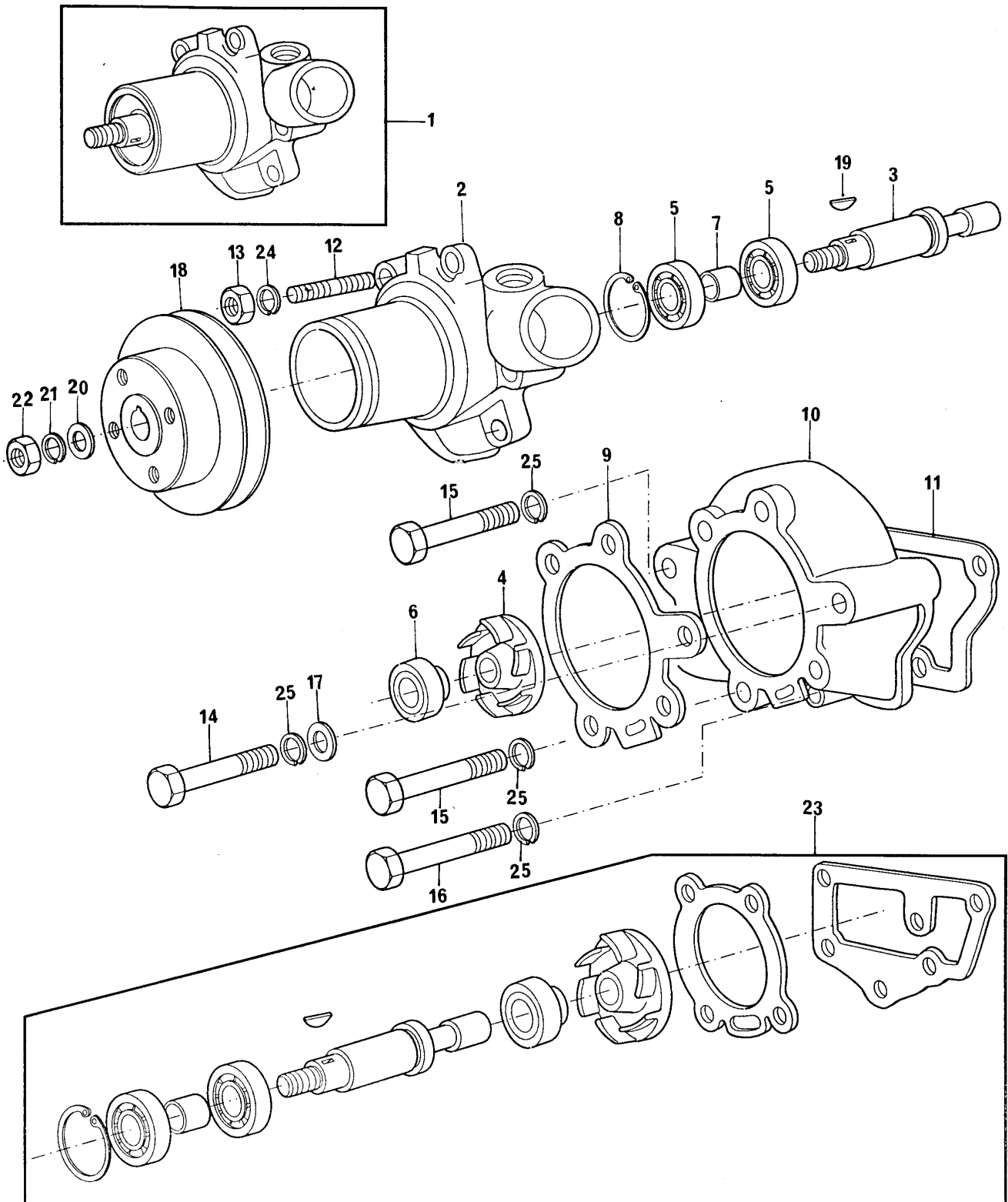
GRUPO
GROUP 55/134
GRUPO
GROUPE

1	70991528	1	CJ. VOLANTE	FLYWHEEL ASSY	CJ. VOLANTE	VOLANT
2	0410276	1	1 CREMALHEIRA	STARTER RING	CORONA	COURONNE
3	70740061	6	PARAFUSO	BOLT	TORNILLO	VIS
4	33117121	6	ARRUELA	WASHER	ARANDELA	RONDELLE

BOMBA D'ÁGUA
WATER PUMP
BOMBA DE AGUA
POMPE À EAU

GRUPO
GROUP
GRUPO
GROUPE

56/50



BOMBA D'ÁGUA
WATER PUMP
BOMBA DE AGUA
POMPE À EAU

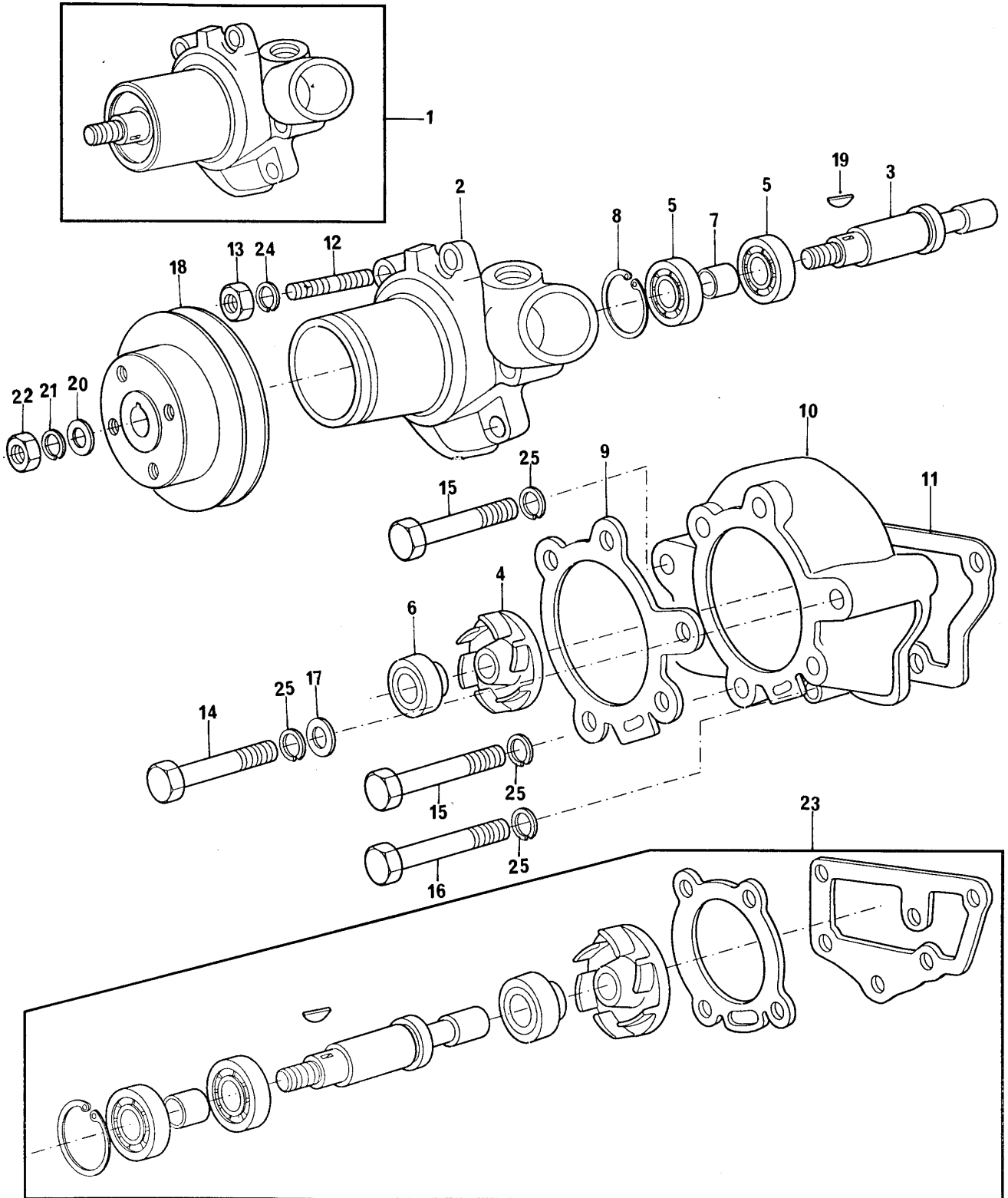
GRUPO
GROUP 56/50
GRUPO
GROUPE

1	4236249		1 BOMBA D'ÁGUA	WATER PUMP	BOMBA DE ÁGUA	POMPE À EAU
2		1	1 CORPO	BODY	CUERPO	CORPS
3		23	1 EIXO	SHAFT	EJE	ARBRE
4		23	1 ROTOR	IMPELLER	TURBINA	TURBINE
5		23	2 ROLAMENTO	BEARING	COJINETE	ROULEMENT
6		23	1 VEDADOR	SEAL	RETÉN	GUARNITURE
7		23	1 ESPAÇADOR	SPACER	ESPACIADOR	ENTRETOISE
8	0170040	23	1 ANEL TRAVA	CIRCLIP	ARO RETÉN	CIRCLIP
9	36866724	23	1 JUNTA	JOINT	JUNTA	JOINT
10	4236250		1 CORPO TRASEIRO	REAR BODY	CUERPO TRASERO	CORPS ARRIERE
11	70490146	23	1 JUNTA	JUNTA	JOINT	JUNTA
12	70820084		4 PRISIONEIRO	STUD	ESPÁRRAGO	GOUJON
13	0576002		4 PORCA	NUT	TUERCA	ÉCROU
14	0096443		1 PARAFUSO	BOLT	TORNILLO	VIS
15	0096439		2 PARAFUSO	BOLT	TORNILLO	VIS
16	0096440		1 PARAFUSO	BOLT	TORNILLO	VIS
17	0920464		1 ARRUELA	WASHER	ARANDELA	RONDELLE
18	70670096		1 POLIA	PULLEY	POLEA	POULIE
19	0500006	23	1 CHAVETA	KEY	CHAVETA	CLAVETTE
20	0920009		1 ARRUELA	WASHER	ARANDELA	RONDELLE
21	0920058		1 ARRUELA	WASHER	ARANDELA	RONDELLE
22	0576007		1 PORCA	NUT	TUERCA	ÉCROU
23	424857	1	1 JOGO DE REPARO	REPAIR KIT	JUEGO REPARACIÓN	JEU RÉPARATION
24	0920053		4 ARRUELA	WASHER	ARANDELA	RONDELLE
25	0920054		4 ARRUELA	WASHER	ARANDELA	RONDELLE

BOMBA D'ÁGUA
WATER PUMP
BOMBA DE AGUA
POMPE À EAU

GRUPO
GROUP
GRUPO
GROUPE

56/89



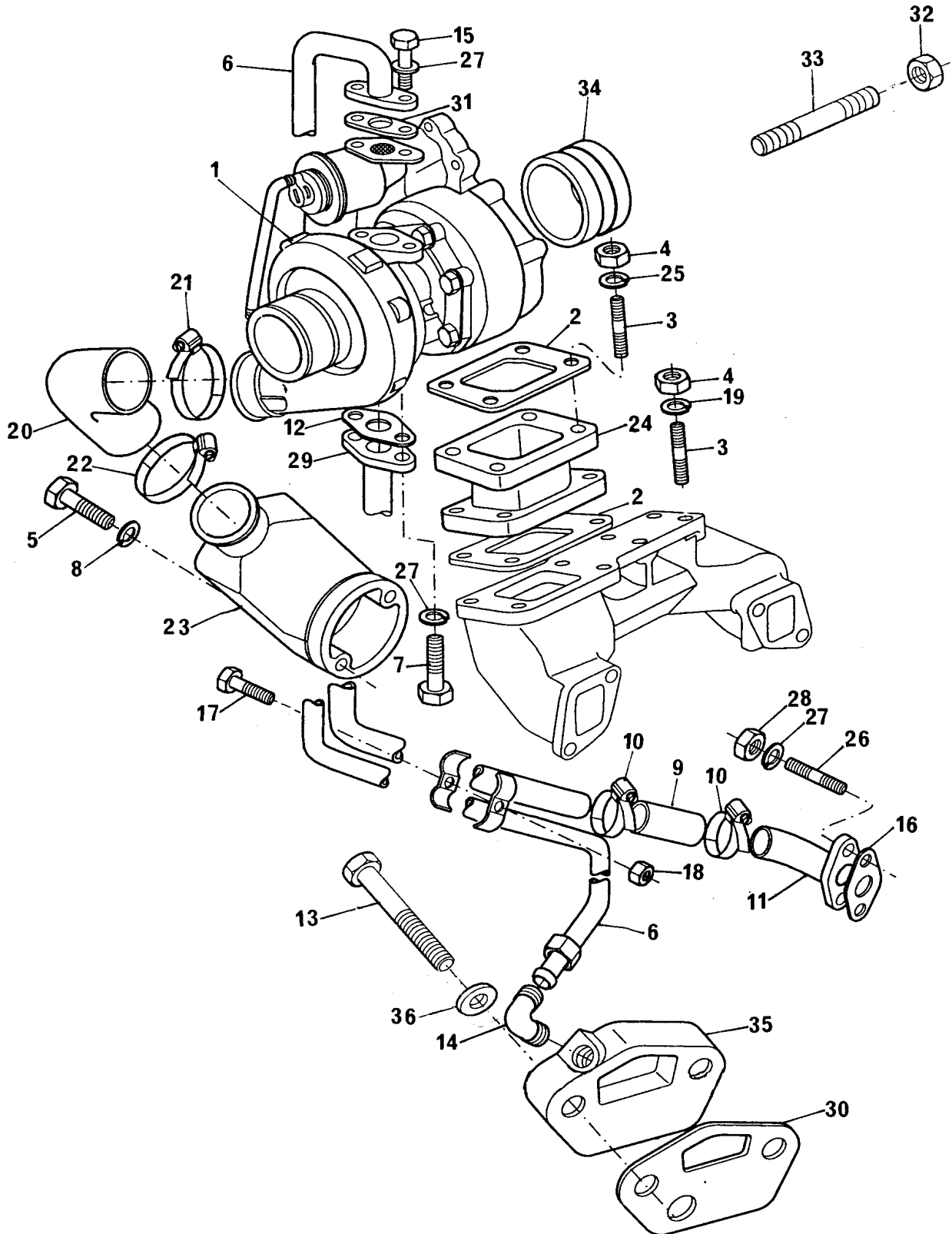
BOMBA D'ÁGUA
WATER PUMP
BOMBA DE AGUA
POMPE À EAU

GRUPO
GROUP 56/89
GRUPO
GROUPE

1	424875		1 BOMBA D'ÁGUA	WATER PUMP	BOMBA DE ÁGUA	POMPE À EAU
2		1	1 CORPO	BODY	CUERPO	CORPS
3		23	1 EIXO	SHAFT	EJE	ARBRE
4		23	1 ROTOR	IMPELLER	TURBINA	TURBINE
5		23	2 ROLAMENTO	BEARING	COJINETE	ROULEMENT
6		23	1 VEDADOR	SEAL	RETÉN	GUARNITURE
7		23	1 ESPAÇADOR	SPACER	ESPACIADOR	ENTRETOISE
8	0170040	23	1 ANEL TRAVA	CIRCLIP	ARO RETÉN	CIRCLIP
9	36866724	23	1 JUNTA	JOINT	JUNTA	JOINT
10	4236250		1 CORPO TRASEIRO	REAR BODY	CUERPO TRASERO	CORPS ARRIERE
11	70490146	23	1 JUNTA	JUNTA	JOINT	JUNTA
12	70820084		4 PRISIONEIRO	STUD	ESPÁRRAGO	GOUJON
13	0576002		4 PORCA	NUT	TUERCA	ÉCROU
14	0096443		1 PARAFUSO	BOLT	TORNILLO	VIS
15	0096439		3 PARAFUSO	BOLT	TORNILLO	VIS
16	0096440		1 PARAFUSO	BOLT	TORNILLO	VIS
17	0920464		1 ARRUELA	WASHER	ARANDELA	RONDELLE
18	70670096		1 POLIA	PULLEY	POLEA	POULIE
19	0500006	23	1 CHAVETA	KEY	CHAVETA	CLAVETTE
20	0920009		1 ARRUELA	WASHER	ARANDELA	RONDELLE
21	0920058		1 ARRUELA	WASHER	ARANDELA	RONDELLE
22	0576007		1 PORCA	NUT	TUERCA	ÉCROU
23	424857	1	1 JOGO DE REPARO	REPAIR KIT	JUEGO REPARACIÓN	JEU RÉPARATION
24	0920053		4 ARRUELA	WASHER	ARANDELA	RONDELLE
25	0920054		5 ARRUELA	WASHER	ARANDELA	RONDELLE

INSTALAÇÃO DO TURBO
 TURBOCHARGER INSTALLATION
 INSTALACIÓN DEL TURBO
 INSTALLATION DU TURBO -COMPRESSEUR

GRUPO
 GROUP 58/29
 GRUPO
 GROUPE



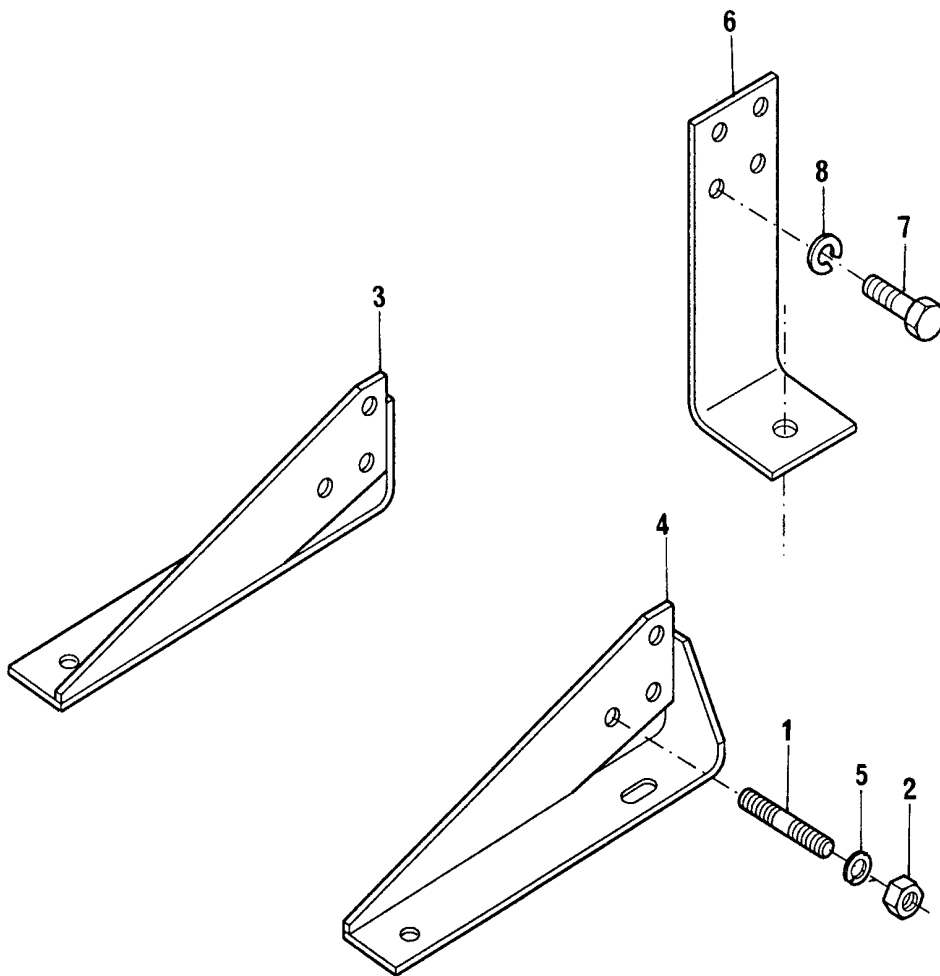
INSTALAÇÃO DO TURBO
TURBOCHARGER INSTALLATION
INSTALACIÓN DEL TURBO
INSTALLATION DU TURBO -COMPRESSEUR

GRUPO
GROUP 58/29
GRUPO
GROUPE

1	79007	1 TURBO	TURBO	TURBINA	AVEC COMPRESSEUR
2	36885008	2 JUNTA	JOINT	JUNTA	JOINT
3	0826403	8 PRISIONEIRO	STUD	ESPÁRRAGO	GOUJON
4	70570082	8 PORCA	NUT	TUERCA	ÉCROU
5	2232151	2 PARAFUSO	BOLT	TORNILLO	VIS
6	70992706	1 TUBO	PIPE	CAÑO	TUYAUTERIE
7	2314C044	2 PARAFUSO	BOLT	TORNILLO	VIS
8	0920004	2 ARRUELA	WASHER	ARANDELA	RONDELLE
9	33851119	1 MANGUEIRA	HOSE	MANGUERA	DURITE
10	70180155	2 BRAÇADEIRA	CLAMP	ABRAZADERA	COLLIER
11	3571C009	1 TUBO	PIPE	CAÑO	TUYAUTERIE
12	36861454	1 JUNTA	JOINT	JUNTA	JOINT
13	0096634	2 PARAFUSO	BOLT	TORNILLO	VIS
14	0206008	1 UNIÃO	UNION	UNION	RACCORD
15	2314C044	2 PARAFUSO	BOLT	TORNILLO	VIS
16	36832135	1 JUNTA	JOINT	JUNTA	JOINT
17	0726262	1 PARAFUSO	BOLT	TORNILLO	VIS
18	70576100	1 PORCA	NUT	TUERCA	ÉCROU
19	0920003	4 ARRUELA	WASHER	ARANDELA	RONDELLE
20	70200440	1 MANGUEIRA	HOSE	MANGUERA	DURITE
21	70180158	1 BRAÇADEIRA	CLAMP	ABRAZADERA	COLLIER
22	70180159	1 BRAÇADEIRA	CLAMP	ABRAZADERA	COLLIER
23	3765K031	1 DIFUSOR	DIFFUSER	DIFUSOR	DIFFUSEUR
24	70540099	1 ADAPTADOR	ADAPTOR	ADAPTADOR	ADAPTATEUR
25	0920005	4 ARRUELA	WASHER	ARANDELA	RONDELLE
26	70820083	2 PRISIONEIRO	STUD	ESPÁRRAGO	GOUJON
27	0920053	6 ARRUELA	WASHER	ARANDELA	RONDELLE
28	0576002	2 PORCA	NUT	TUERCA	ÉCROU
29	70992016	1 TUBO	PIPE	CAÑO	TUYAUTERIE
30	36862523	1 JUNTA	JOINT	JUNTA	JOINT
31	36832131	1 JUNTA	JOINT	JUNTA	JOINT
32	70570085	4 PORCA	NUT	TUERCA	ÉCROU
33	2313C059	4 PRISIONEIRO	STUD	ESPÁRRAGO	GOUJON
34	3342K701	1 LUVA	SLEEVE	MANGUITO	MANCHON
35	3763A001	1 ADAPTADOR	ADAPTOR	ADAPTADOR	ADAPTATEUR
36	0920055	2 ARRUELA	WASHER	ARANDELA	RONDELLE

SUPORTES DO MOTOR
ENGINE SUPPORTS
SOPORTES DEL MOTOR
SUPPORTS DU MOTEUR

GRUPO
GROUP 71/115
GRUPO
GROUPE



SUPORTES DO MOTOR
ENGINE SUPPORTS
SOPORTES DEL MOTOR
SUPPORTS DU MOTEUR

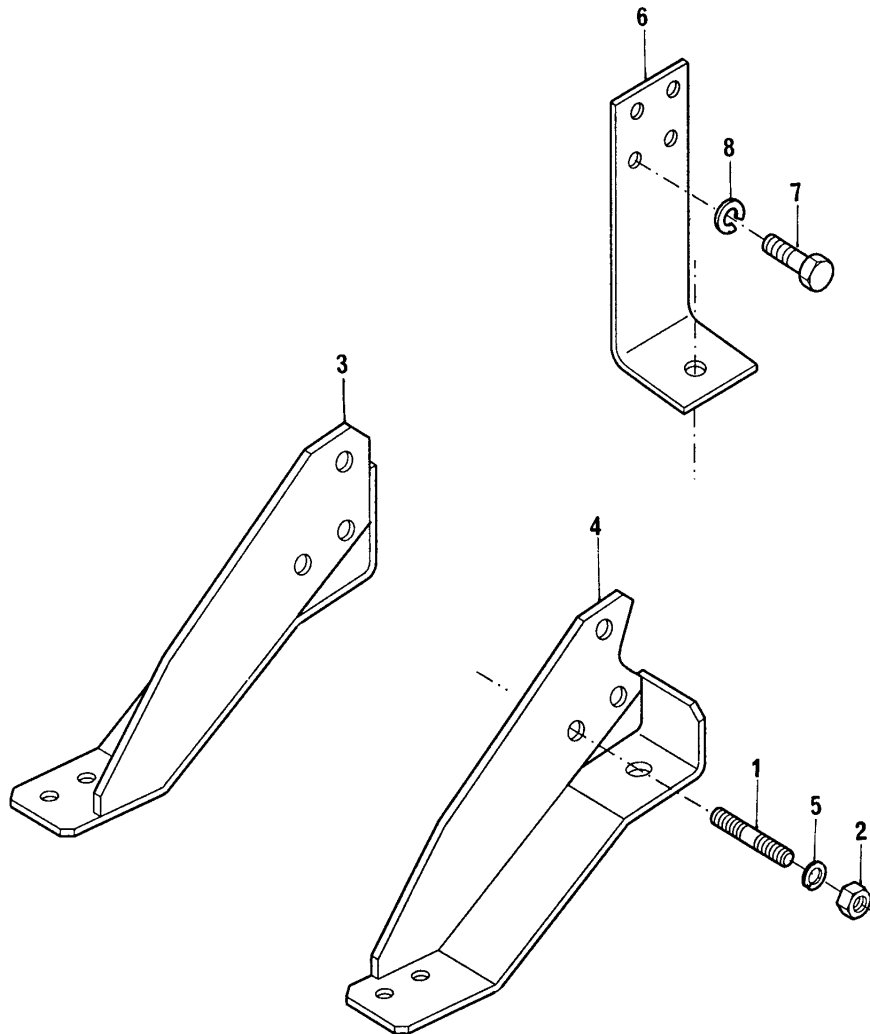
GRUPO
GROUP 71/115
GRUPO
GROUPE

1	70820089	6	PRISIONEIRO	STUD	ESPÁRRAGO	GOUJON
2	0576054	6	PORCA	NUT	TUERCA	ÉCROU
3	70100603	1	SUPORTE	BRACKET	SOPORTE	SUPPORT
4	70100604	1	SUPORTE	BRACKET	SOPORTE	SUPPORT
5	0920055	6	ARRUELA	WASHER	ARANDELA	RONDELLE
6	70100808	2	SUPORTE TRAS.	BRACKET	SOPORTE	SUPPORT
7	0748663	8	PARAFUSO	BOLT	TORNILLO	VIS
8	0920056	8	ARRUELA	WASHER	ARANDELA	RONDELLE

SUPORTES DO MOTOR
ENGINE SUPPORTS
SOPORTES DEL MOTOR
SUPPORTS DU MOTEUR

GRUPO
GROUP
GRUPO
GROUPE

71/157



SUPORTES DO MOTOR
ENGINE SUPPORTS
SOPORTES DEL MOTOR
SUPPORTS DU MOTEUR

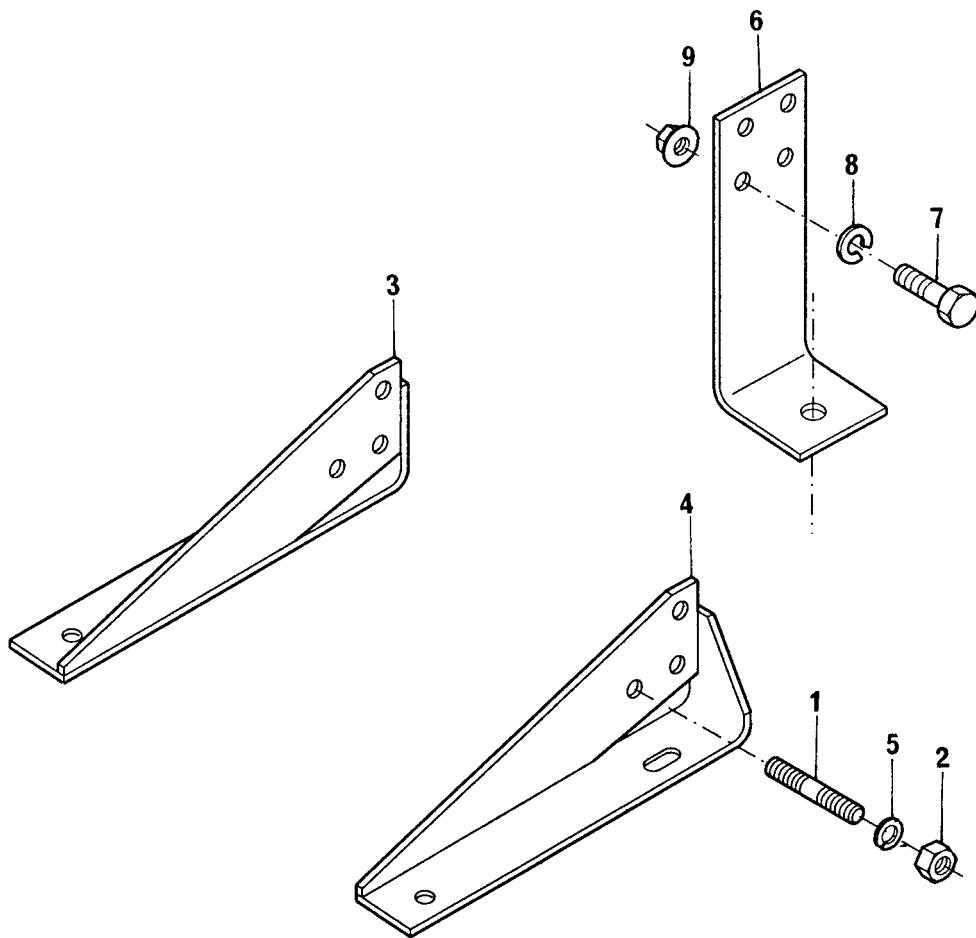
GRUPO
GROUP 71/157
GRUPO
GROUPE

1	0826626	6 PRISIONEIRO	STUD	ESPÁRRAGO	GOUJON
2	0576054	6 PORCA	NUT	TUERCA	ÉCROU
3	70100825	1 SUPORTE	BRACKET	SOPORTE	SUPPORT
4	70100826	1 SUPORTE	BRACKET	SOPORTE	SUPPORT
5	0920055	6 ARRUELA	WASHER	ARANDELA	RONDELLE
6	70100808	2 SUPORTE TRAS.	BRACKET	SOPORTE	SUPPORT
7	0748663	8 PARAFUSO	BOLT	TORNILLO	VIS
8	0920056	8 ARRUELA	WASHER	ARANDELA	RONDELLE

SUPORTES DO MOTOR
ENGINE SUPPORTS
SOPORTES DEL MOTOR
SUPPORTS DU MOTEUR

GRUPO
GROUP
GRUPO
GROUPE

71/162



**SUPORTES DO MOTOR
ENGINE SUPPORTS
SOPORTES DEL MOTOR
SUPPORTS DU MOTEUR**

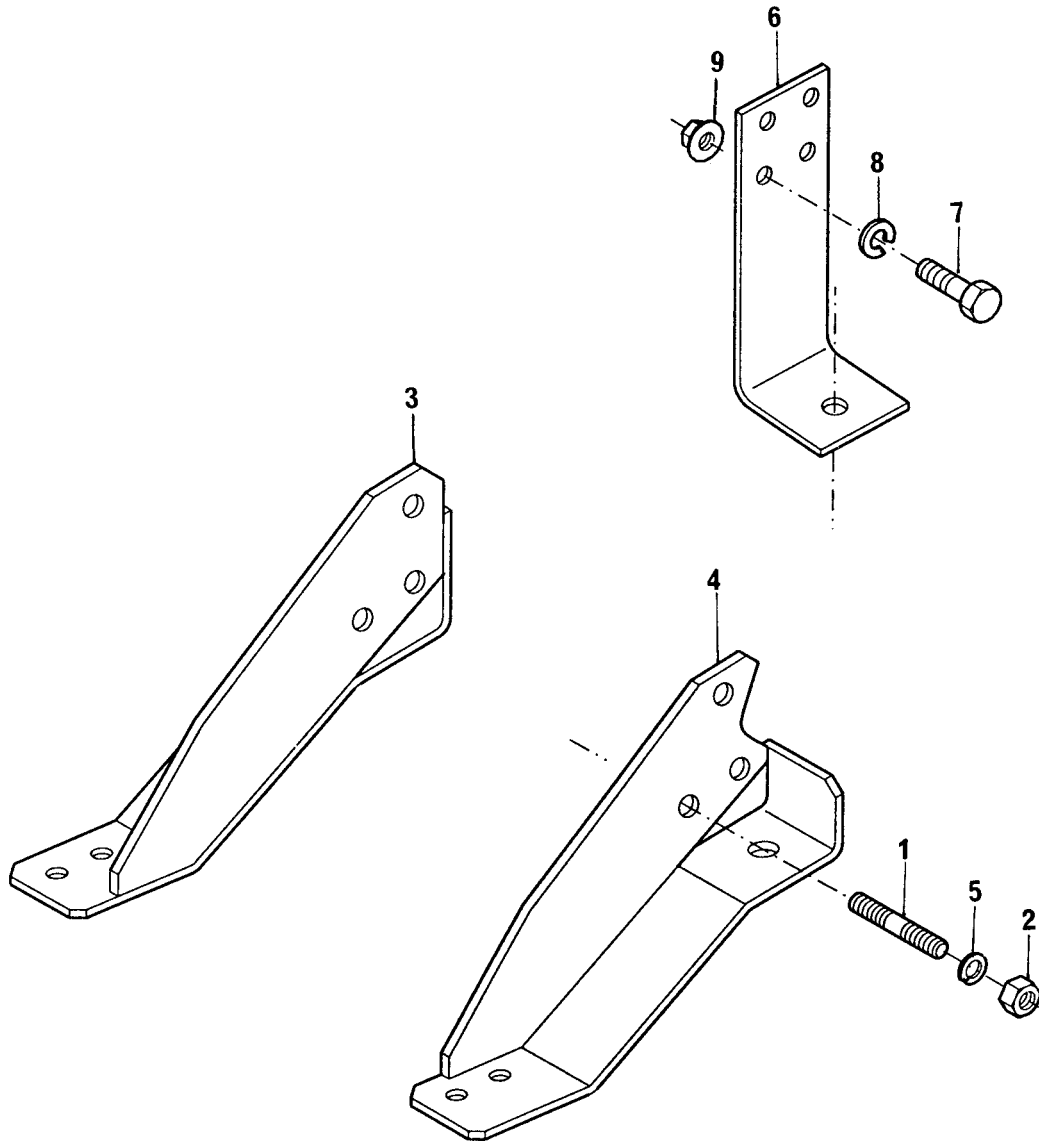
**GRUPO
GROUP
GRUPO
GROUPE** **71/162**

1	0826626	6 PRISIONEIRO	STUD	ESPÁRRAGO	GOUJON
2	0576054	6 PORCA	NUT	TUERCA	ÉCROU
3	70100825	1 SUPORTE	BRACKET	SOPORTE	SUPPORT
4	70100826	1 SUPORTE	BRACKET	SOPORTE	SUPPORT
5	0920055	6 ARRUELA	WASHER	ARANDELA	RONDELLE
6	70100838	2 SUPORTE DIANT.	BRACKET	SOPORTE	SUPPORT
7	70740765	2 PARAFUSO	BOLT	TORNILLO	VIS
8	0920058	2 ARRUELA	WASHER	ARANDELA	RONDELLE
9	0576007	2 PORCA	NUT	TUERCA	ÉCROU

SUPORTES DO MOTOR
ENGINE SUPPORTS
SOPORTES DEL MOTOR
SUPPORTS DU MOTEUR

GRUPO
GROUP
GRUPO
GROUPE

71/163



SUPORTES DO MOTOR
ENGINE SUPPORTS
SOPORTES DEL MOTOR
SUPPORTS DU MOTEUR

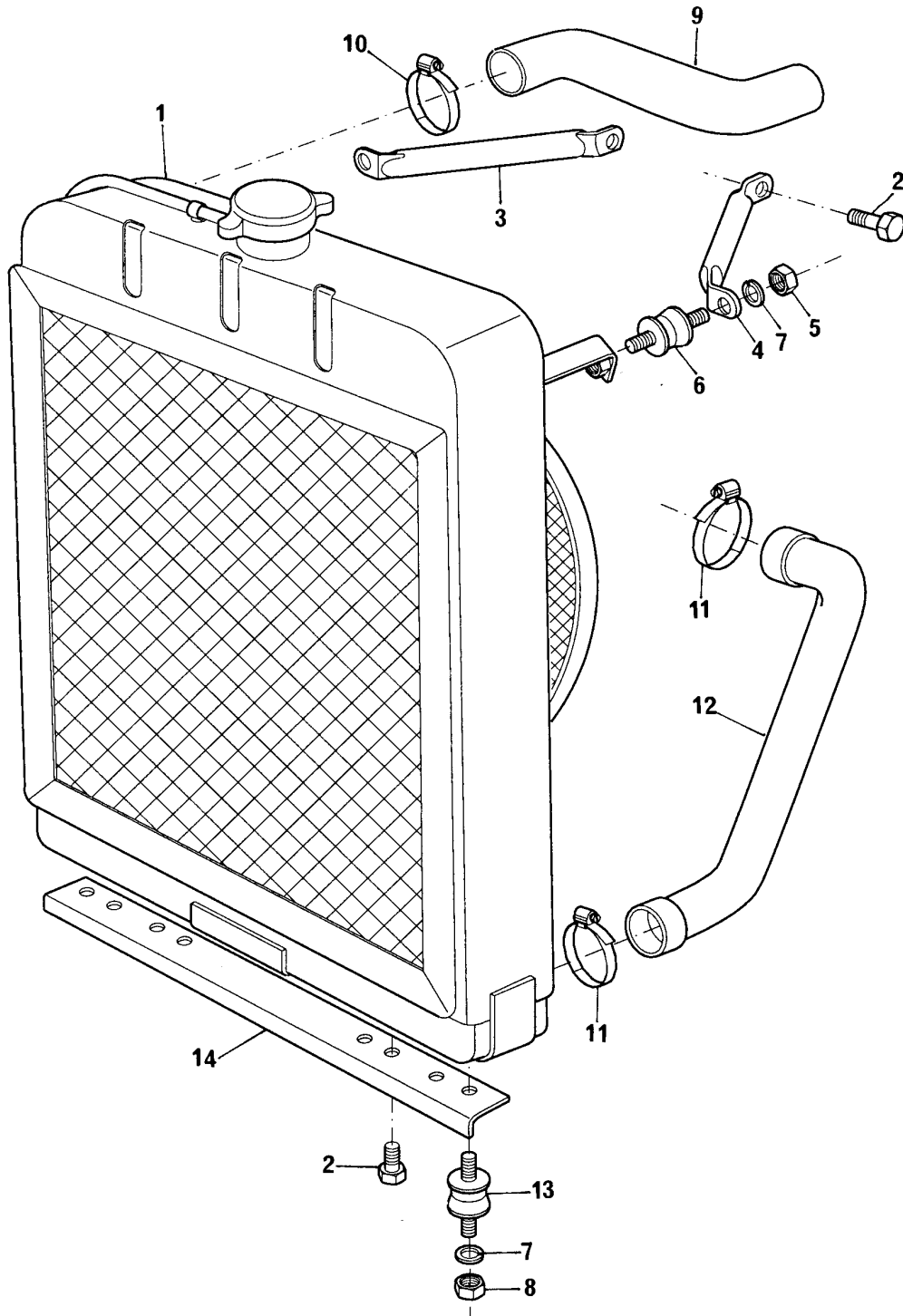
GRUPO
GROUP 71/163
GRUPO
GROUPE

1	0826626	6	PRISIONEIRO	STUD	ESPÁRRAGO	GOUJON
2	0576054	6	PORCA	NUT	TUERCA	ÉCROU
3	70100825	1	SUPORTE	BRACKET	SOPORTE	SUPPORT
4	70100826	1	SUPORTE	BRACKET	SOPORTE	SUPPORT
5	0920055	6	ARRUELA	WASHER	ARANDELA	RONDELLE
6	70100838	2	SUPORTE DIANT.	BRACKET	SOPORTE	SUPPORT
7	70740765	2	PARAFUSO	BOLT	TORNILLO	VIS
8	0920058	2	ARRUELA	WASHER	ARANDELA	RONDELLE
9	0576007	2	PORCA	NUT	TUERCA	ECROU

SISTEMA DE ARREFECIMENTO
COOLING SYSTEM
SISTEMA DE ENFRIAMIENTO
SYSTEME DE REFROIDISSEMENT

GRUPO
GROUP
GRUPO
GROUPE

72/42



SISTEMA DE ARREFECIMENTO
COOLING SYSTEM
SISTEMA DE ENFRIAMIENTO
SYSTEME DE REFROIDISSEMENT

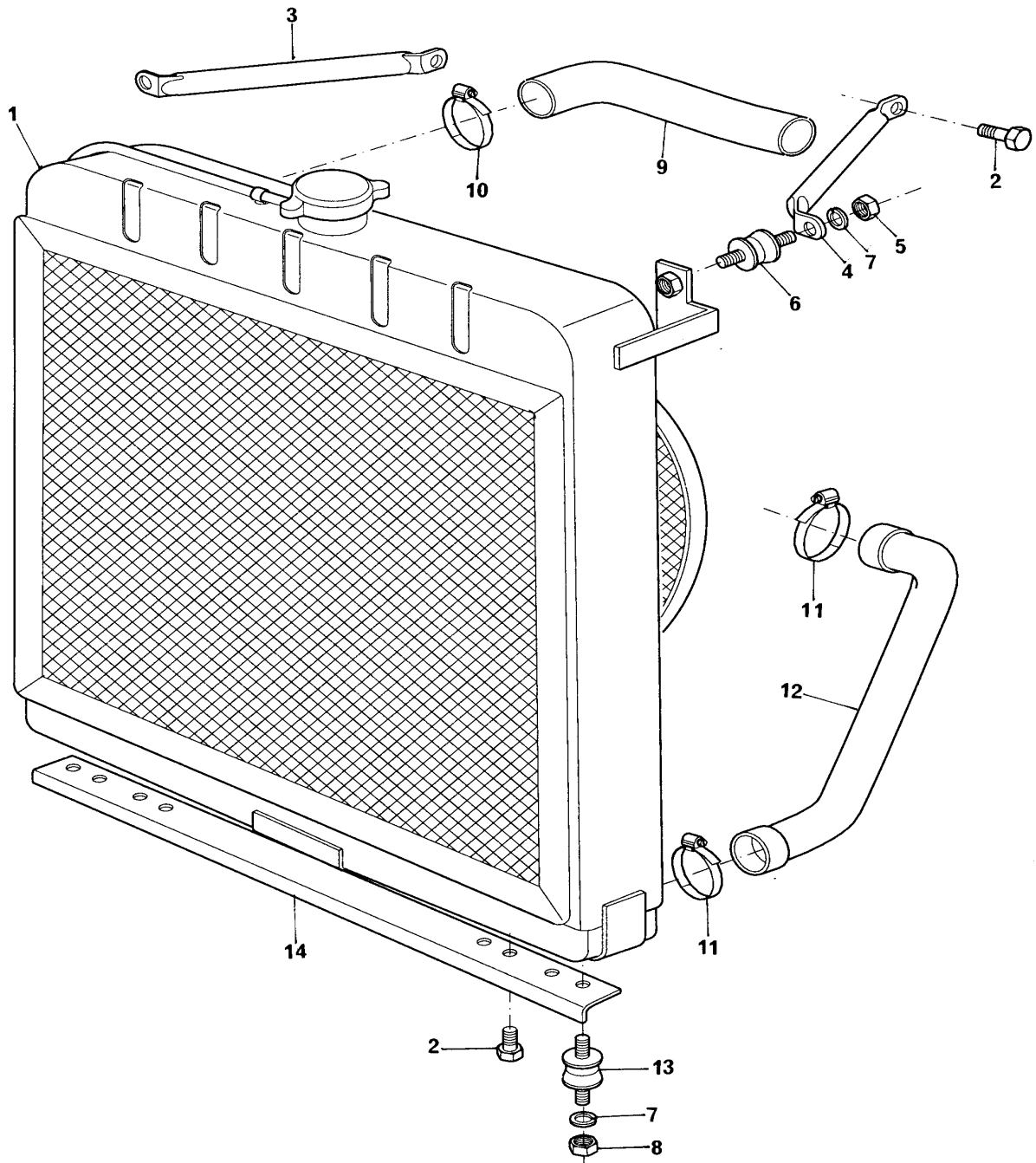
GRUPO
GROUP 72/42
GRUPO
GROUPE

1	75049	1	RADIADOR	RADIATOR	RADIADOR	RADIATEUR
2	0746453	2	PARAFUSO	BOLT	TORNILLO	VIS
3	70810038	1	TIRANTE	ROD	VARILLA	TIGE
4	70810039	1	TIRANTE	ROD	VARILLA	TIGE
5	70570032	2	PORCA	NUT	TUERCA	ÉCROU
6	70550014	2	COXIM	DAMPER	AMORTIGUADOR	AMORTISSEUR
7	0920054	6	ARRUELA	WASHER	ARANDELA	RONDELLE
8	2318A209	4	PORCA	NUT	TUERCA	ÉCROU
9	70200466	1	MANGUEIRA	HOSE	MANGUERA	DURITE
10	70180156	2	BRAÇADEIRA	CLAMP	ABRAZADERA	COLLIER
11	70180157	2	BRAÇADEIRA	CLAMP	ABRAZADERA	COLLIER
12	70200468	1	MANGUEIRA	HOSE	MANGUERA	DURITE
13	70550009	2	COXIM	DAMPER	AMORTIGUADOR	AMORTISSEUR
14	70100607	1	SUPORTE	BRACKET	SOPORTE	SUPPORT

SISTEMA DE ARREFECIMENTO
COOLING SYSTEM
SISTEMA DE ENFRIAMIENTO
SYSTEME DE REFROIDISSEMENT

GRUPO
GROUP
GRUPO
GROUPE

72/53



SISTEMA DE ARREFECIMENTO
COOLING SYSTEM
SISTEMA DE ENFRIAMIENTO
SYSTEME DE REFROIDISSEMENT

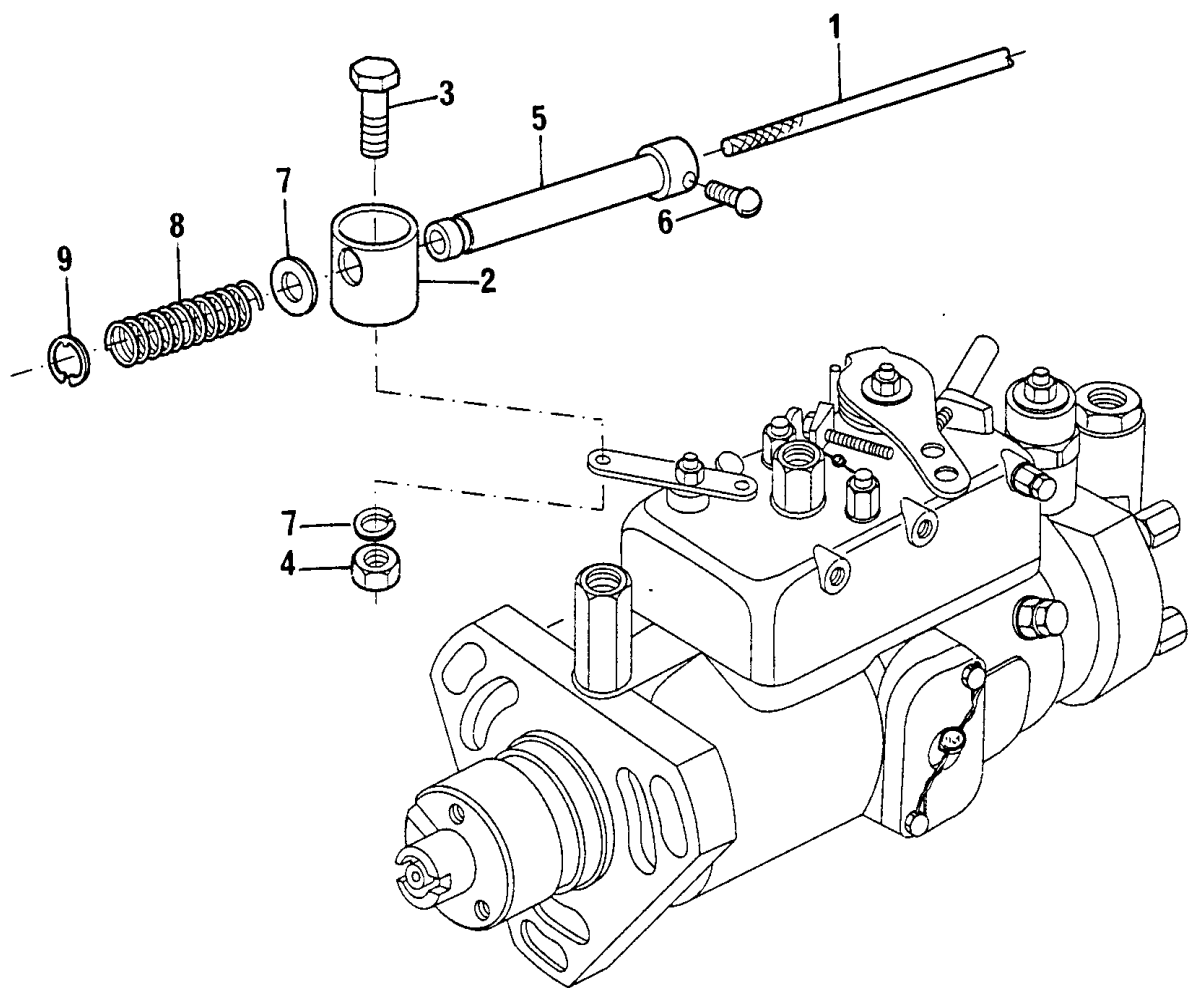
GRUPO
GROUP 72/53
GRUPO
GROUPE

1	75050	1	RADIADOR	RADIATOR	RADIADOR	RADIATEUR
2	0746453	2	PARAFUSO	BOLT	TORNILLO	VIS
3	70100822	1	TIRANTE	ROD	VARILLA	TIGE
4	70100821	1	TIRANTE	ROD	VARILLA	TIGE
5	70570032	2	PORCA	NUT	TUERCA	ÉCROU
6	70550014	2	COXIM	DAMPER	AMORTIGUADOR	AMORTISSEUR
7	0920054	8	ARRUELA	WASHER	ARANDELA	RONDELLE
8	2318A209	4	PORCA	NUT	TUERCA	ÉCROU
9	70200899	1	MANGUEIRA	HOSE	MANGUERA	DURITE
10	70180157	1	BRAÇADEIRA	CLAMP	ABRAZADERA	COLLIER
11	70180158	2	BRAÇADEIRA	CLAMP	ABRAZADERA	COLLIER
12	70200900	1	MANGUEIRA	HOSE	MANGUERA	DURITE
13	70550009	2	COXIM	DAMPER	AMORTIGUADOR	AMORTISSEUR
14	70100823	1	SUORTE	BRACKET	SOPORTE	SUPPORT

CONTROLES
CONTROLS
CONTROLES
CONTRÔLES

GRUPO
GROUP
GRUPO
GROUPE

73/121



CONTROLES
CONTROLS
CONTROLES
CONTRÔLES

GRUPO
GROUP
GRUPO
GROUPE

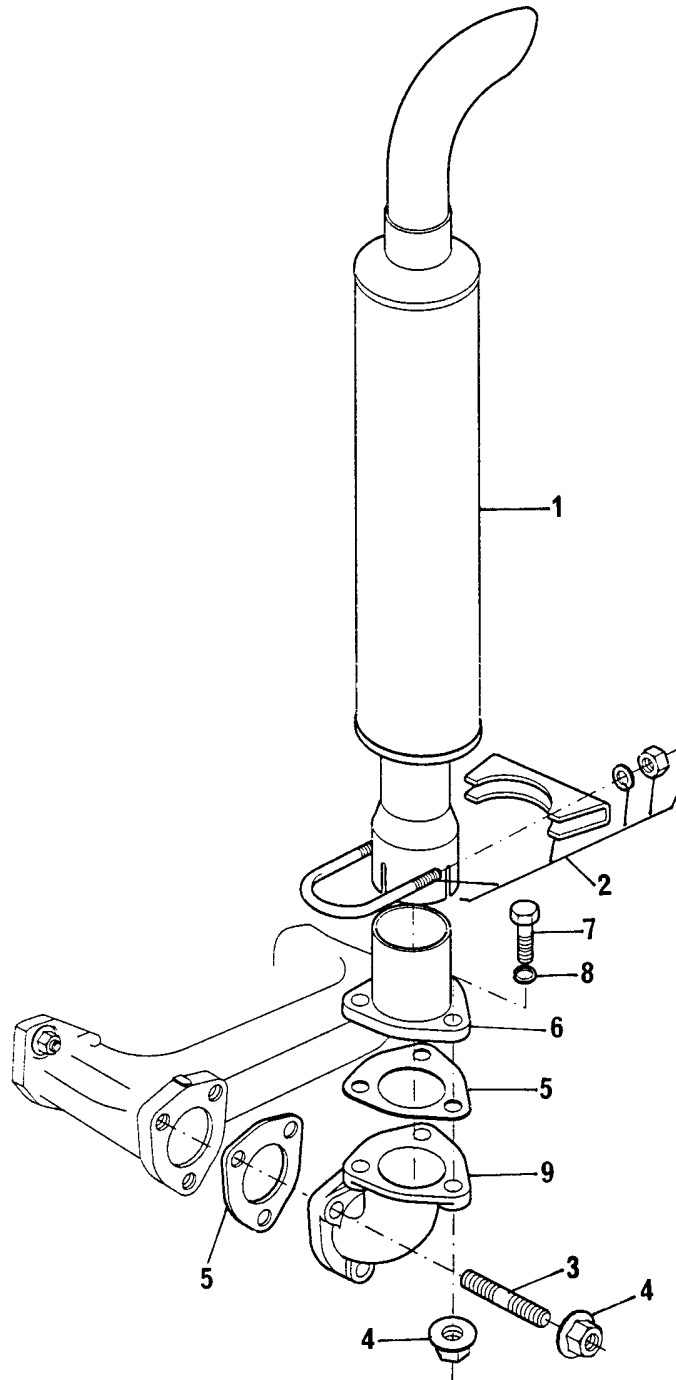
73/121

1	70110034	1	CABO	CABLE	CABLE	CABLE
2	70610040	1	PINO	PIN	PERNO	AXE
3	70740079	1	PARAFUSO	BOLT	TORNILLO	VIS
4	70570072	1	PORCA	NUT	TUERCA	ÉCROU
5	70420007	1	GUIA	GUIDE	GUÍA	GUIDE
6	0726504	1	PARAFUSO	BOLT	TORNILLO	VIS
7	0920003	2	ARRUELA	WASHER	ARANDELA	RONDELLE
8	70780028	1	MOLA	SPRING	RESORTE	RESSORT
9	70170034	1	ANEL TRAVA	CIRCLIP	ARO RETÉN	CIRCLIP

SISTEMA DE ESCAPE
EXHAUST SYSTEM
SISTEMA DE ESCAPE
SYSTEME D'ÉCHAPPEMENT

GRUPO
GROUP
GRUPO
GROUPE

74/74



SISTEMA DE ESCAPE
EXHAUST SYSTEM
SISTEMA DE ESCAPE
SYSTEME D'ÉCHAPPEMENT

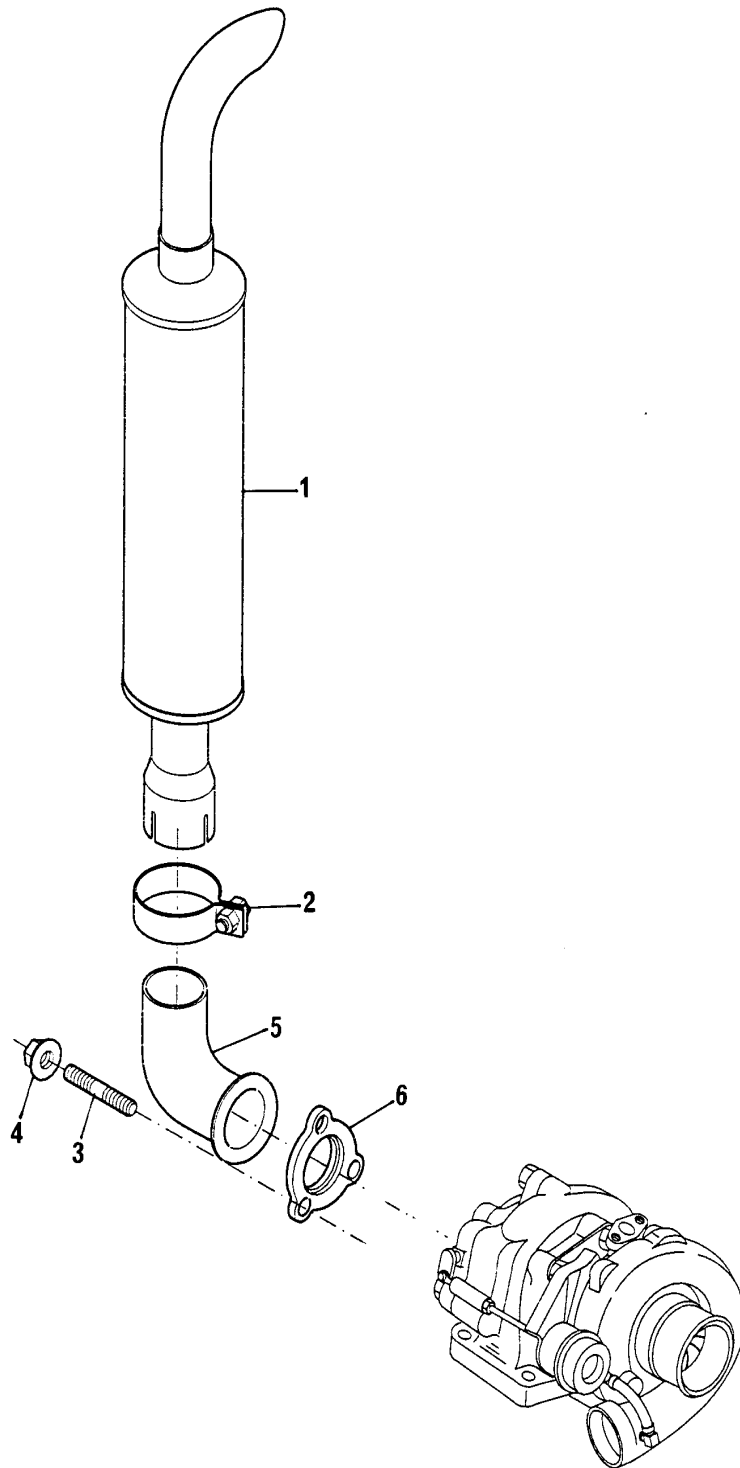
GRUPO
GROUP 74/74
GRUPO
GROUPE

1	70010	1	SILENCIOSO	MUFFLER	SILENCIADOR	SILENCIEUX
2	70993195	1	BRAÇADEIRA	CLAMP	ABRAZADERA	COLLIER
3	0826422	3	PRISIONEIRO	STUD	ESPÁRRAGO	GOUJON
4	70570082	6	PORCA	NUT	TUERCA	ÉCROU
5	36822111	2	JUNTA	JOINT	JUNTA	JOINT
6	70200832	1	CONEXÃO	CONNECTION	CONEXION	RACCORD
7	0096433	3	PARAFUSO	BOLT	TORNILLO	VIS
8	0920055	3	ARRUELA	WASHER	ARANDELA	RONDELLE
9	37738234	1	COTOVELO	ELBOW	CODO	COUDE

SISTEMA DE ESCAPE
EXHAUST SYSTEM
SISTEMA DE ESCAPE
SYSTEME D'ÉCHAPPEMENT

GRUPO
GROUP
GRUPO
GROUPE

74/314



**SISTEMA DE ESCAPE
EXHAUST SYSTEM
SISTEMA DE ESCAPE
SYSTEME D'ÉCHAPPEMENT**

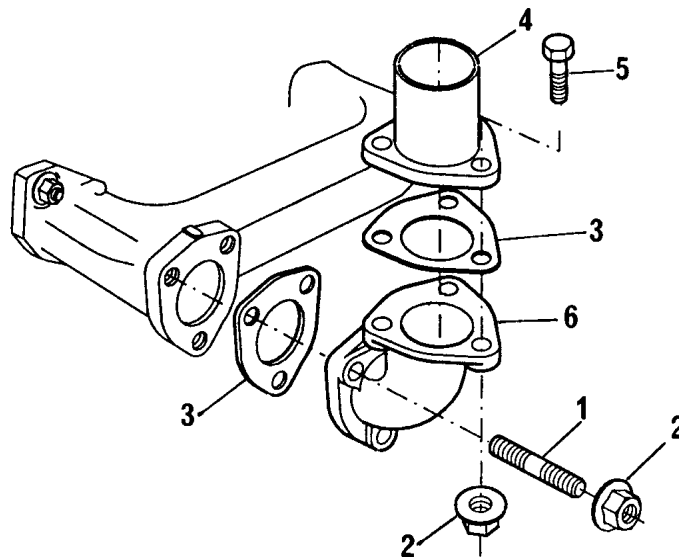
**GRUPO
GROUP 74/314
GRUPO
GROUPE**

1	70310001	1	SILENCIOSO	MUFFLER	SILENCIADOR	SILENCIEUX
2	70180208	1	BRAÇADEIRA	CLAMP	ABRAZADERA	COLLIER
3	2313C059	4	PRISIONEIRO	STUD	ESPÁRRAGO	GOUJON
4	70570085	4	PORCA	NUT	TUERCA	ÉCROU
5	70540175	1	COTOVELO	ELBOW	CODO	COUDE
6	70380055	1	FLANGE	FLANGE	PLETINA	FLASQUE

SISTEMA DE ESCAPE
EXHAUST SYSTEM
SISTEMA DE ESCAPE
SYSTEME D'ÉCHAPPEMENT

GRUPO
GROUP
GRUPO
GROUPE

74/318



**SISTEMA DE ESCAPE
EXHAUST SYSTEM
SISTEMA DE ESCAPE
SYSTEME D'ÉCHAPPEMENT**

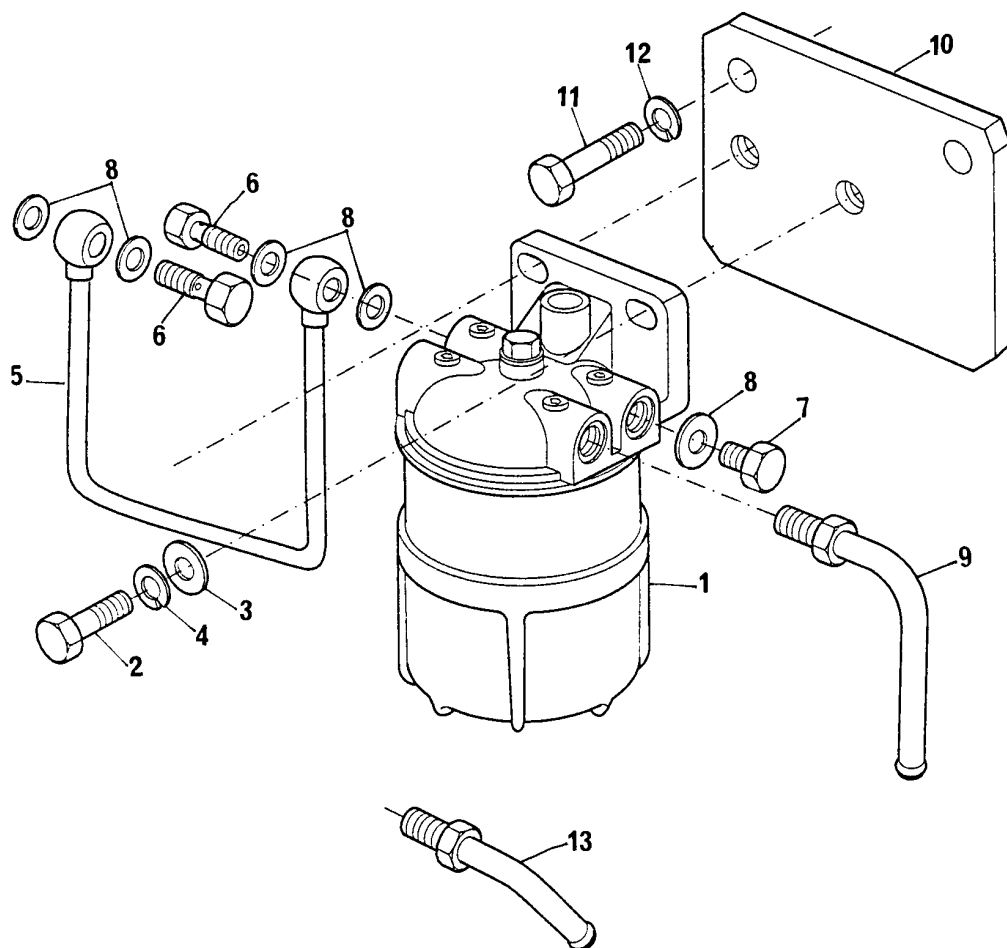
**GRUPO
GROUP 74/318
GRUPO
GROUPE**

1	0826422	3	PRISIONEIRO	STUD	ESPÁRRAGO	GOUJON
2	70570082	6	PORCA	NUT	TUERCA	ÉCROU
3	36822111	2	JUNTA	JOINT	JUNTA	JOINT
4	70200832	1	CONEXÃO	CONNECTION	CONEXION	RACCORD
5	70740181	3	PARAFUSO	BOLT	TORNILLO	VIS
6	37738234	1	COTOVELO	ELBOW	CODO	COUDE

SISTEMA DE COMBUSTÍVEL
FUEL SYSTEM
SISTEMA DE COMBUSTIBLE
SYSTEME DE COMBUSTIBLE

GRUPO
GROUP
GRUPO
GROUPE

75/100



SISTEMA DE COMBUSTÍVEL
FUEL SYSTEM
SISTEMA DE COMBUSTIBLE
SYSTEME DE COMBUSTIBLE

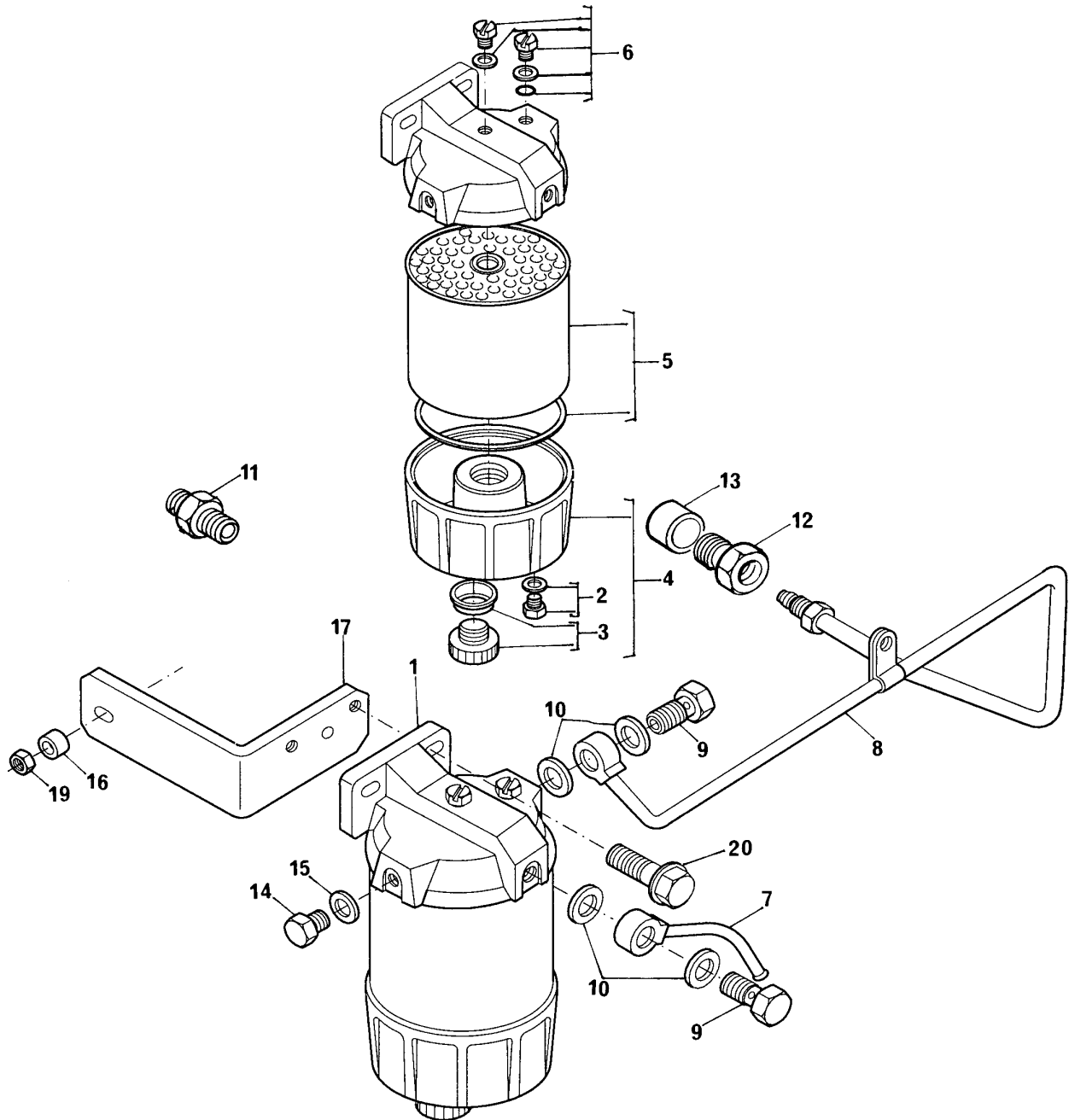
GRUPO
GROUP 75/100
GRUPO
GROUPE

1	2656085	1	SEDIMENTADOR	BOWL	TAZON	BOL
2	0746454	2	PARAFUSO	BOLT	TORNILLO	VIS
3	0920004	2	ARRUELA	WASHER	ARANDELA	RONDELLE
4	0920053	2	ARRUELA	WASHER	ARANDELA	RONDELLE
5	70991698	1	TUBO	PIPE	CAÑO	TUYAUTERIE
6	70740343	2	PARAFUSO	BOLT	TORNILLO	VIS
7	70650115	2	BUJÃO	PLUG	TAPÓN	BOUCHON
8	70920115	6	ARRUELA	WASHER	ARANDELA	RONDELLE
9	70991825	1	TUBO	PIPE	CAÑO	TUYAUTERIE
10	70100479	1	SUPORTE	BRACKET	SOPORTE	SUPPORT
11	0746211	2	PARAFUSO	BOLT	TORNILLO	VIS
12	0920054	2	ARRUELA	WASHER	ARANDELA	RONDELLE
13	70992224	1	TUBO	PIPE	CAÑO	TUYAUTERIE

SISTEMA DE COMBUSTÍVEL
FUEL SYSTEM
SISTEMA DE COMBUSTIBLE
SYSTEME DE COMBUSTIBLE

GRUPO
GROUP
GRUPO
GROUPE

75/163



SISTEMA DE COMBUSTÍVEL
FUEL SYSTEM
SISTEMA DE COMBUSTIBLE
SYSTEME DE COMBUSTIBLE

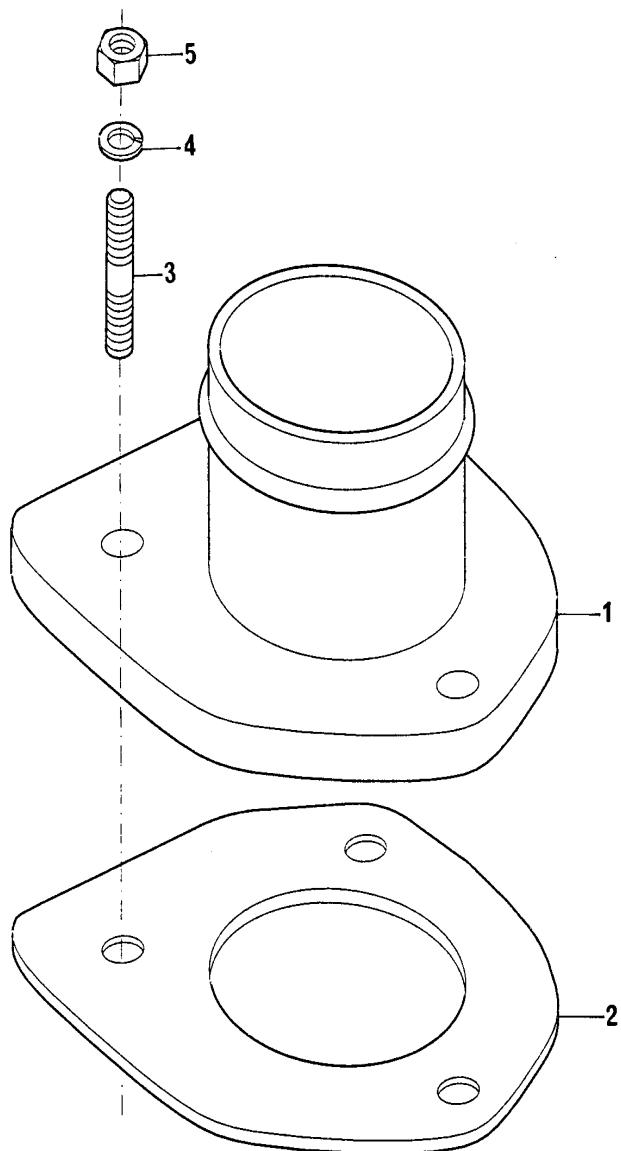
GRUPO
GROUP **75/163**
GRUPO
GROUPE

1	72059		1	PRÉ-FILTRO	PRE-FILTER	PRE-FILTRO	PRE-FILTRE
2	72045	1	1	BUJÃO	PLUG	TAPÓN	BOUCHON
3	72046	1	1	BUJÃO DRENO	PLUG	TAPÓN	BOUCHON
4	72054	1	1	COPO	GLASS	VASO	BOL
5	72040	1	1	ELEMENTO	ELEMENT	ELEMENTO	ÉLÉMENT
6	72048	1	1	BUJÃO	PLUG	TAPÓN	BOUCHON
7	70991825		1	TUBO	PIPE	CAÑO	TUYAUTERIE
8	70992461		1	TUBO	PIPE	CAÑO	TUYAUTERIE
9	70740343		2	PARAFUSO BANJO	BANJO BOLT	TORNILLO BANJO	VIS BANJO
10	70920115		4	ARRUELA	WASHER	ARANDELA	RONDELLE
11	0201526		1	CONEXÃO	CONNECTION	CONEXION	RACCORD
12	0571346		1	PORCA	NUT	TUERCA	ÉCROU
13	0566004		1	OLIVA	OLIVE	OLIVA	OLIVE
14	70650115		2	BUJÃO	PLUG	TAPÓN	BOUCHON
15	70920115		2	ARRUELA	WASHER	ARANDELA	RONDELLE
16	70330018		1	ESPAÇADOR	SPACER	ESPACIADOR	ENTRETOISE
17	70100628		1	SUPORTE	BRACKET	SOPORTE	SUPPORT
19	0576051		1	PORCA	NUT	TUERCA	ÉCROU
20	70740178		2	PARAFUSO	BOLT	TORNILLO	VIS

SISTEMA DE ADMISSÃO
INDUCTION SYSTEM
SISTEMA DE ADMISIÓN
SYSTEME D'ADMISSION

GRUPO
GROUP
GRUPO
GROUPE

76/05



**SISTEMA DE ADMISSÃO
INDUCTION SYSTEM
SISTEMA DE ADMISIÓN
SYSTEME D'ADMISSION**

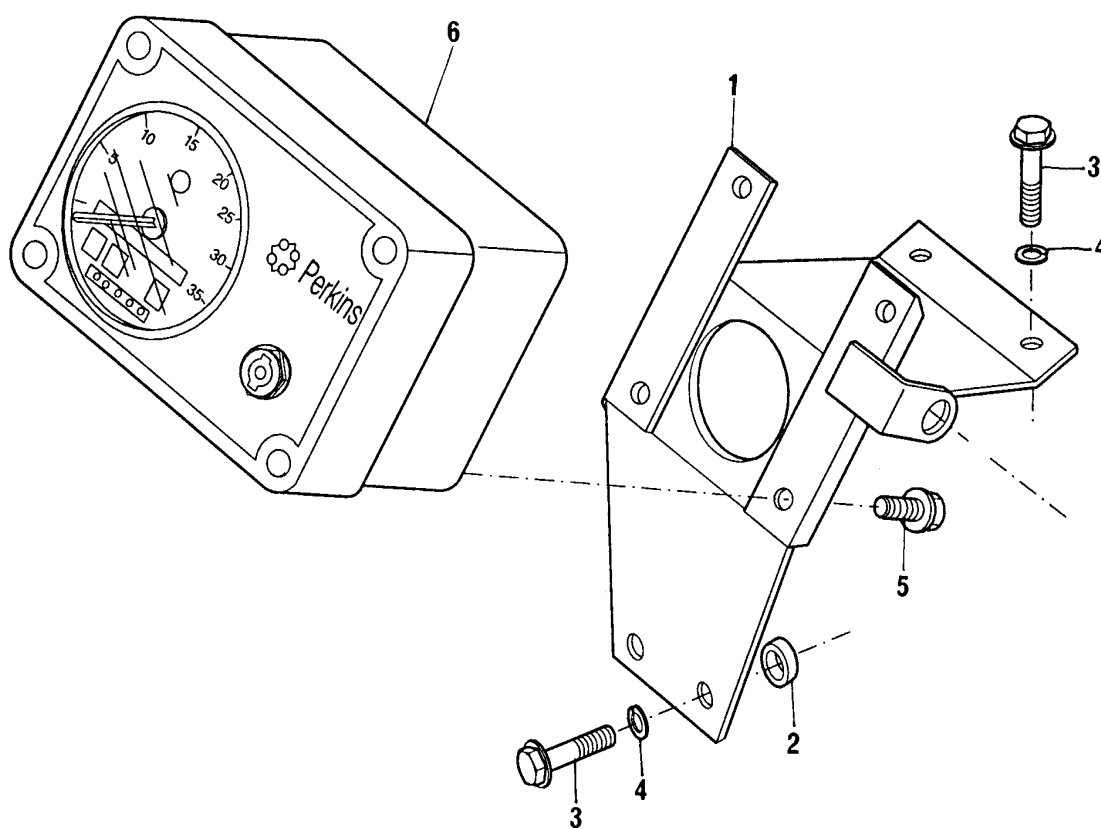
**GRUPO
GROUP
GRUPO
GROUPE** **76/05**

1	70992283	1	CONEXÃO	CONNECTION	CONEXION	RACCORD
2	70490166	1	JUNTA	JOINT	JUNTA	JOINT
3	0826201	3	PRISIONEIRO	STUD	ESPÁRRAGO	GOUJON
4	0920053	3	ARRUELA	WASHER	ARANDELA	RONDELLE
5	0576002	3	PORCA	NUT	TUERCA	ÉCROU

PAINEL DE INSTRUMENTOS
INSTRUMENTAL PANEL
TABLERO DE INSTRUMENTOS
TABLEAU DE BORD

GRUPO
GROUP
GRUPO
GROUPE

77/85



**PAINEL DE INSTRUMENTOS
INSTRUMENTAL PANEL
TABLERO DE INSTRUMENTOS
TABLEAU DE BORD**

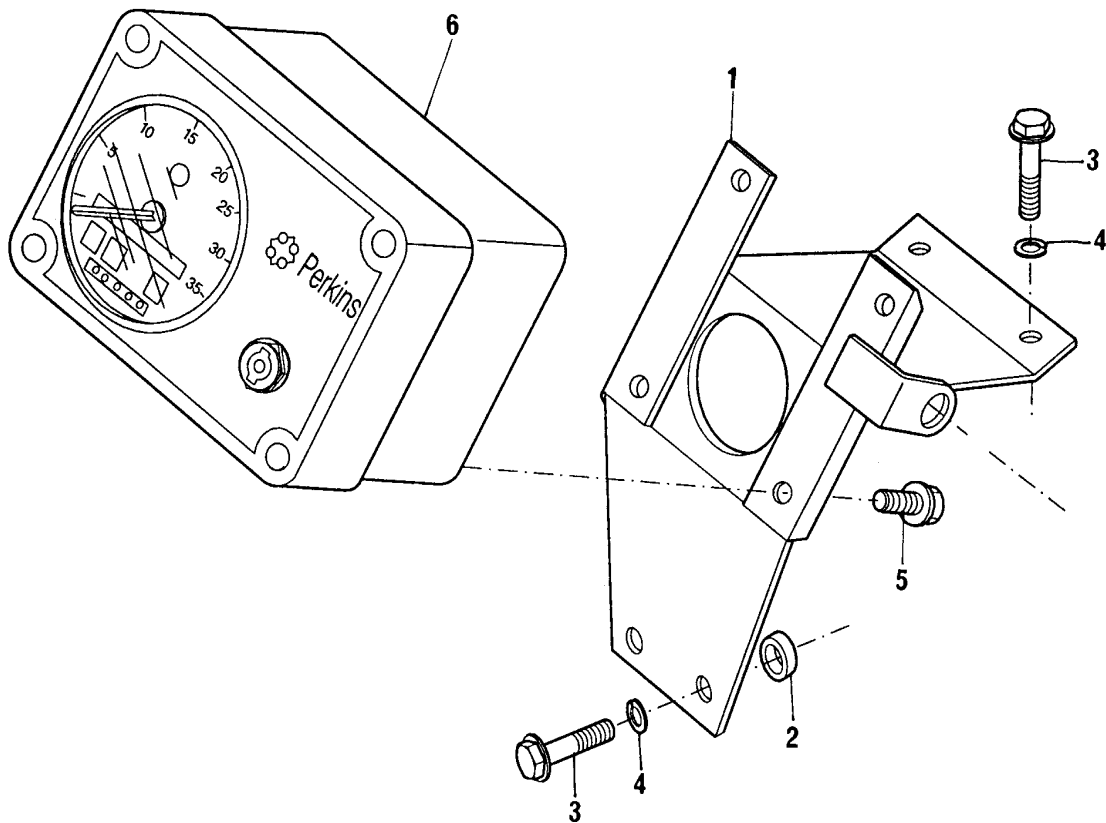
**GRUPO
GROUP
GRUPO
GROUPE** **77/85**

1	70100813	1	SUPOORTE	BRACKET	SOPORTE	SUPPORT
2	70330045	4	ESPAÇADOR	SPACER	ESPACIADOR	ENTRETOISE
3	0746424	4	PARAFUSO	BOLT	TORNILLO	VIS
4	0920054	4	ARRUELA	WASHER	ARANDELA	RONDELLE
5	2174018	4	PARAFUSO	BOLT	TORNILLO	VIS
6	74193	1	CJ. PAINEL	PANEL KIT	JUEGO PANEL	JEU PANNEAU

PAINEL DE INSTRUMENTOS
INSTRUMENTAL PANEL
TABLERO DE INSTRUMENTOS
TABLEAU DE BORD

GRUPO
GROUP
GRUPO
GROUPE

77/89



PAINEL DE INSTRUMENTOS
INSTRUMENTAL PANEL
TABLERO DE INSTRUMENTOS
TABLEAU DE BORD

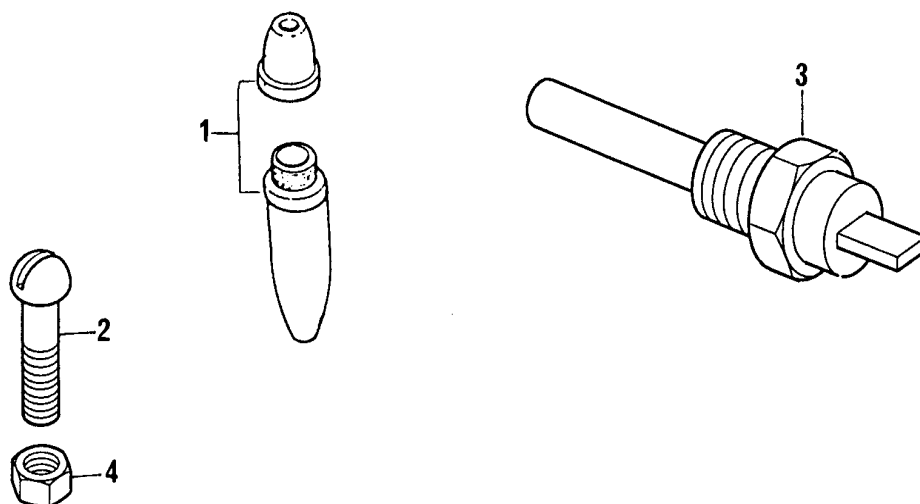
GRUPO
GROUP 77/89
GRUPO
GROUPE

1	70100813	1	SUPORE	BRACKET	SOPORTE	SUPPORT
2	70330045	4	ESPAÇADOR	SPACER	ESPACIADOR	ENTRETOISE
3	0746424	4	PARAFUSO	BOLT	TORNILLO	VIS
4	0920054	4	ARRUELA	WASHER	ARANDELA	RONDELLE
5	2174018	4	PARAFUSO	BOLT	TORNILLO	VIS
6	74193	1	CJ. PAINEL	PANEL KIT	JUEGO PANEL	JEU PANNEAU

SISTEMA ELÉTRICO
ELECTRICAL SYSTEM
SISTEMA ELÉCTRICO
SYSTEME ÉLECTRIQUE

GRUPO
GROUP
GRUPO
GROUPE

78/08



**SISTEMA ELÉTRICO
ELECTRICAL SYSTEM
SISTEMA ELÉCTRICO
SYSTEME ÉLECTRIQUE**

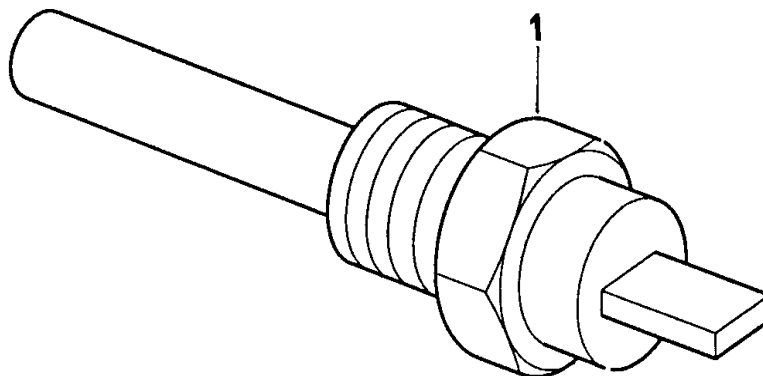
**GRUPO
GROUP
GRUPO
GROUPE** **78/08**

1	70993310	1	PORTA-FUSÍVEIS	FUSE HOLDER	PORTA FUSIBLES	PORTE-FUSIBLES
2	70740088	4	PARAFUSOS	BOLT	TORNILLO	VIS
3	73083	1	SENSOR	SENDER	SENSOR	SONDE
4	70570068	4	PORCA	NUT	TUERCA	ÉCROU

SISTEMA ELÉTRICO
ELECTRICAL SYSTEM
SISTEMA ELÉCTRICO
SYSTEME ÉLECTRIQUE

GRUPO
GROUP
GRUPO
GROUPE

78/28



SISTEMA ELÉTRICO
ELECTRICAL SYSTEM
SISTEMA ELÉCTRICO
SYSTEME ÉLECTRIQUE

GRUPO
GROUP 78/28
GRUPO
GROUPE

1 73083

1 SENSOR

SENDER

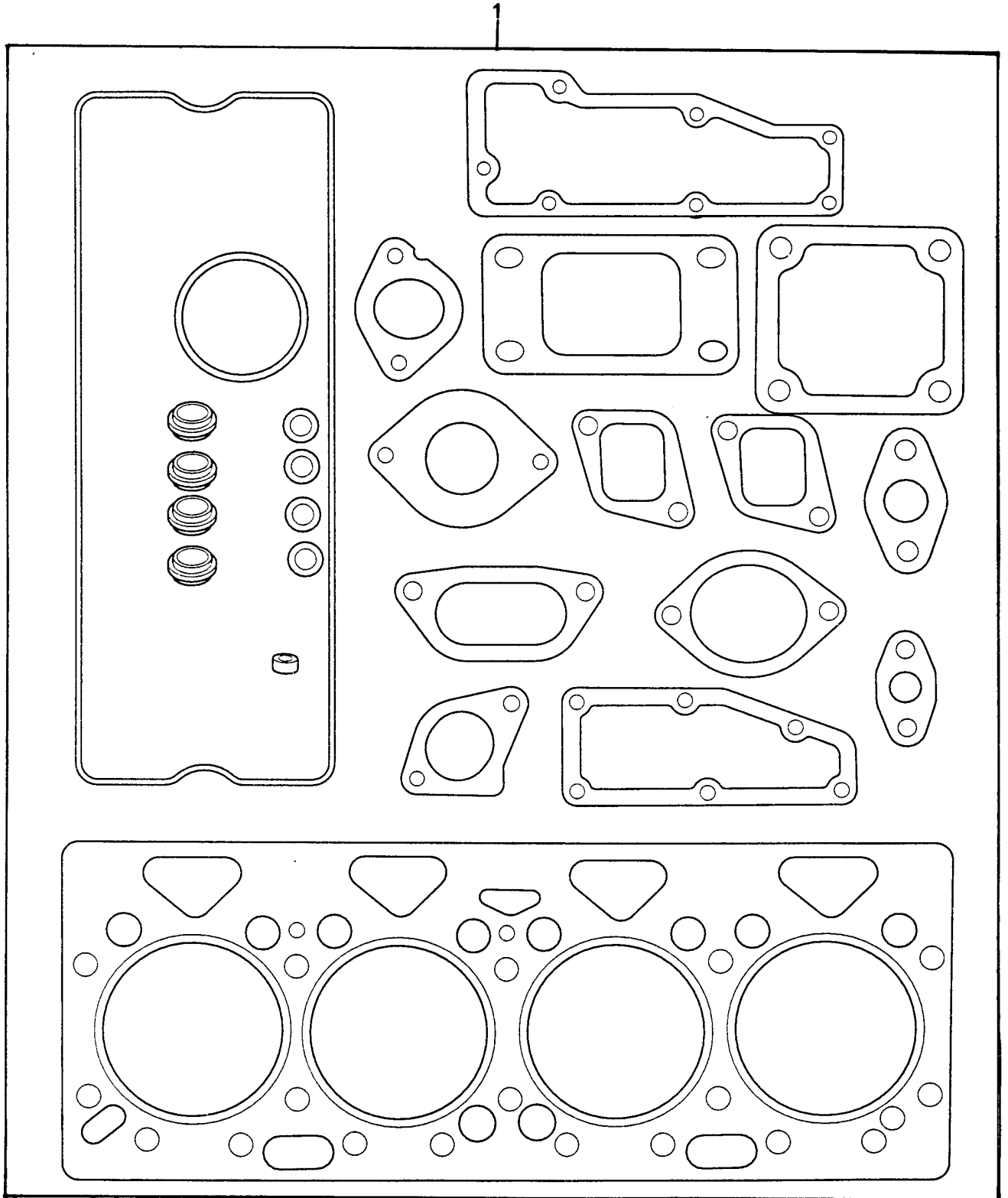
SENSOR

SONDE

JOGO DE JUNTAS DO CABEÇOTE
CYLINDER HEAD GASKETS SET
JUEGO DE JUNTAS DE LA CULATA
JEU DE JOINTS DE LA CULASSE

GRUPO
GROUP
GRUPO
GROUPE

00/26



JOGO DE JUNTAS DO CABEÇOTE
CYLINDER HEAD GASKETS SET
JUEGO DE JUNTAS DE LA CULATA
JEU DE JOINTS DE LA CULASSE

GRUPO
GROUP 00/26
GRUPO
GROUPE

1 4236112

1 JOGO DE JUNTAS

GASKETS SET

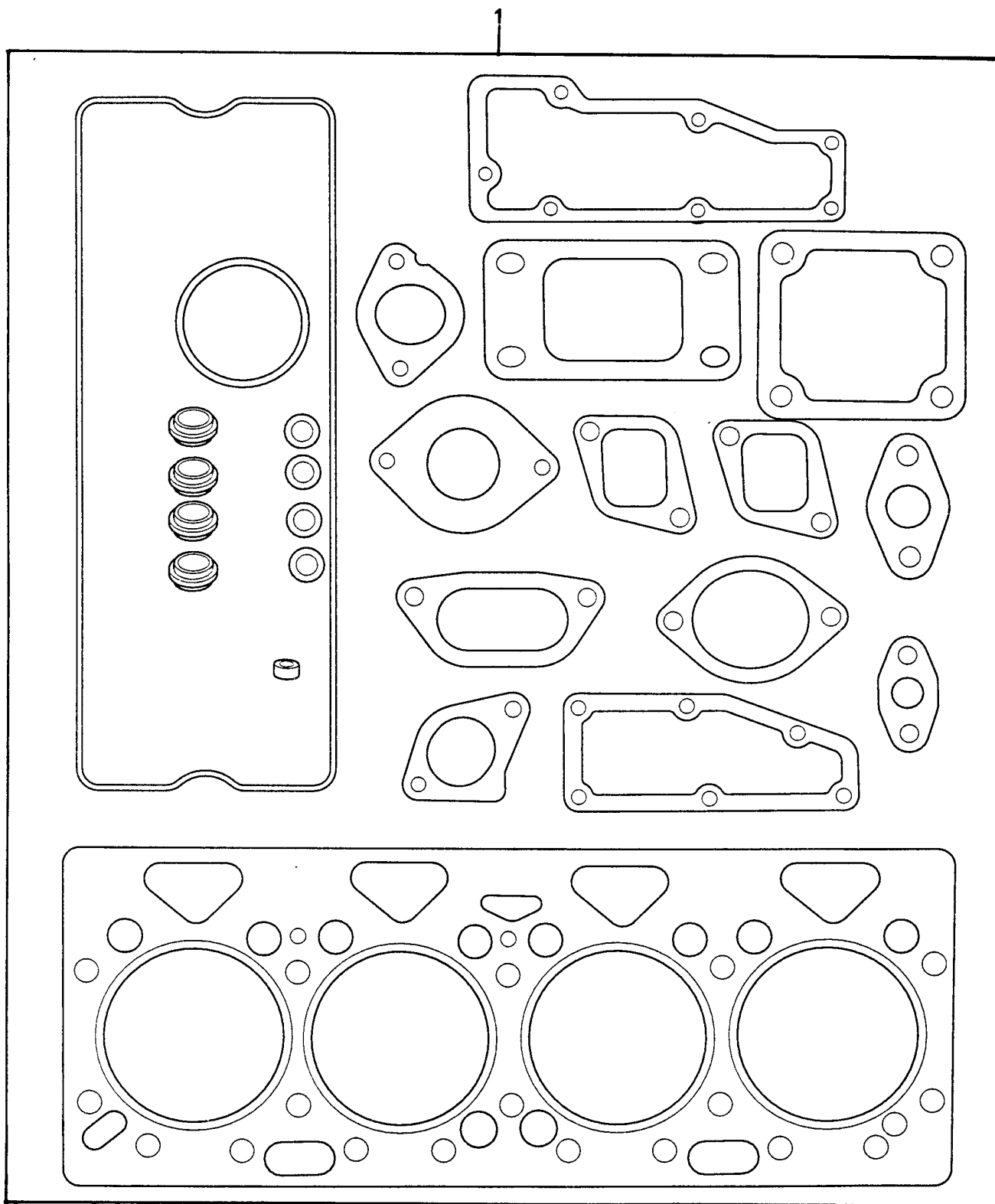
JUEGO DE JUNTAS

JEU DE JOINTS

JOGO DE JUNTAS DO CABEÇOTE
CYLINDER HEAD GASKETS SET
JUEGO DE JUNTAS DE LA CULATA
JEU DE JOINTS DE LA CULASSE

GRUPO
GROUP
GRUPO
GROUPE

00/42



JOGO DE JUNTAS DO CABEÇOTE
CYLINDER HEAD GASKETS SET
JUEGO DE JUNTAS DE LA CULATA
JEU DE JOINTS DE LA CULASSE

GRUPO
GROUP 00/42
GRUPO
GROUPE

1 4236129

1 JOGO JUNTAS

GASKETS SET

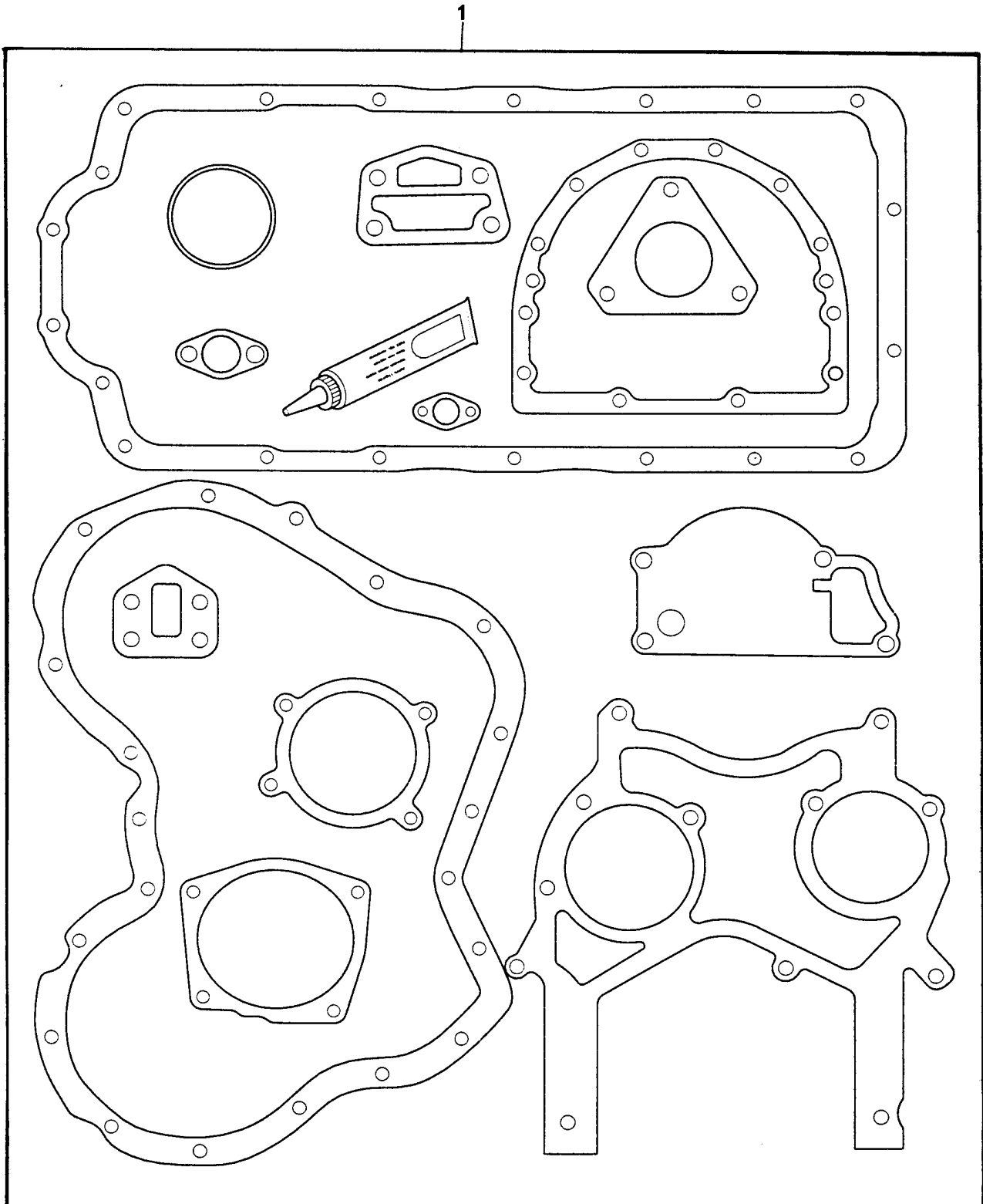
JUEGO DE JUNTAS

JEU DE JOINTS

JOGO DE JUNTAS DO BLOCO
CYLINDER BLOCK JOINTS SET
JUEGO DE JUNTAS DEL BLOQUE
JEU DE JOINTS DU BLOC

GRUPO
GROUP
GRUPO
GROUPE

00/51



JOGO DE JUNTAS DO BLOCO
CYLINDER BLOCK JOINTS SET
JUEGO DE JUNTAS DEL BLOQUE
JEU DE JOINTS DU BLOC

GRUPO
GROUP 00/51
GRUPO
GROUPE

1 S4011

1 JOGO JUNTAS

JOINTS SET

JUEGO DE JUNTAS

JEU DE JOINTS